

TC-RX55/RX55ES/RX410

SERVICE MANUAL

US Model
TC-RX55ES/RX410

Canadian Model
TC-RX55/RX410

AEP Model

UK Model

E Model

TC-RX55



Photo: TC-RX410

SPECIFICATIONS

Recording system 4-track 2-channel stereo
Fast winding Approx. 90 sec. (with C-60 cassette)
Bias AC Bias
Signal-to-noise ratio (NAB, at peak level)

| Cassette | DOLBY NR switch | | |
|-------------------------|-----------------|-----------|-----------|
| | OFF | B-TYPE ON | C-TYPE ON |
| TYPE IV (Sony METAL-ES) | 58 dB | 65 dB | 71 dB |
| TYPE II (Sony UX-S) | 57 dB | 64 dB | 70 dB |
| TYPE I (Sony HF-S) | 54 dB | 61 dB | 67 dB |

Total harmonic distortion 1.0 % (with Sony METAL-ES cassettes)

Frequency response

DOLBY NR OFF
TC-RX410:

- With TYPE IV cassette (Sony METAL-ES)
30–15,000 Hz (± 3 dB)
30–13,000 Hz (± 3 dB, OVU recording)
- With TYPE II cassette (Sony UX-S)
30–15,000 Hz (± 3 dB)
- With TYPE I cassette (Sony HF-S)
30–14,000 Hz (± 3 dB)

TC-RX55/RX55ES:

- With TYPE IV cassette (Sony METAL-ES)
20–20,000 Hz (± 3 dB)
30–15,000 Hz (± 3 dB, OVU recording)
- With TYPE II cassette (Sony UX-S)
30–17,000 Hz (± 3 dB)
- With TYPE I cassette (Sony HF-S)
30–15,000 Hz (± 3 dB)

| | |
|------------------------------------|--|
| Model Name Using Similar Mechanism | TC-RX50/RX50ES TC-RX400 |
| Tape Transport Mechanism Type | TCM-170RB11 (TC-RX55/RX55ES) TCM-170RB13 (TC-RX410) |

Wow and flutter 0.09% WRMS (NAB)
Inputs
Microphone inputs (phone jack)
Sensitivity 0.25 mV (-70 dB)
For a low-impedance microphone
Line inputs (phono jacks)
Sensitivity 77.5 mV (-20 dB)
Input impedance 50k ohms
Outputs
Line outputs (phono jacks)
Output level 0.44 V (-5 dB) at load impedance 47k ohms
Load impedance over 10k ohms
Headphones output (stereo phone jack)
Output level -28 dB at load impedance 8 ohms

— Continued on next page —

SEE ADDITIONAL INFORMATION

STEREO CASSETTE DECK
SONY®



General

Power requirements

US, Canadian, E2 model: 120 V AC, 60 Hz
 AEP, E3 model: 220 V AC, 50/60 Hz
 UK model: 240 V AC, 50/60 Hz

Power consumption

22 W (TC-RX410)
 19 W (TC-RX55/RX55ES)

Dimensions

TC-RX410:
 Approx. 430 x 118 x 295 mm (w/h/d)
 (17 x 4³/₄ x 11⁵/₈ inches)

TC-RX55/RX55ES:
 Approx. 430 x 120 x 285 mm (w/h/d)
 (17 x 4³/₄ x 11¹/₄ inches)

including projecting parts and controls

Weight

Approx. 3.9 kg (8 lbs 10 oz)

Supplied accessory

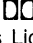
Connecting cord (2)

Design and specifications are subject to change without notice.



Features

- **The Dolby HX PRO* system** to improve the linearity of the tape's high-range response during recording.
- **Cue & review and memory play functions** to provide easy access to a desired position.
- **B and C type Dolby NR* systems** to reduce tape hiss noise.
- The optional remote control unit allows various operations to be remotely controlled.


*Dolby noise reduction and HX Pro headroom extension manufactured under license from Dolby Laboratories Licensing Corporation. HX Pro originated by Bang & Olufsen.

"DOLBY", the double-D symbol  and "HX PRO" are trademarks of Dolby Laboratories Licensing Corporation.

SAFETY-RELATED COMPONENT WARNING!!

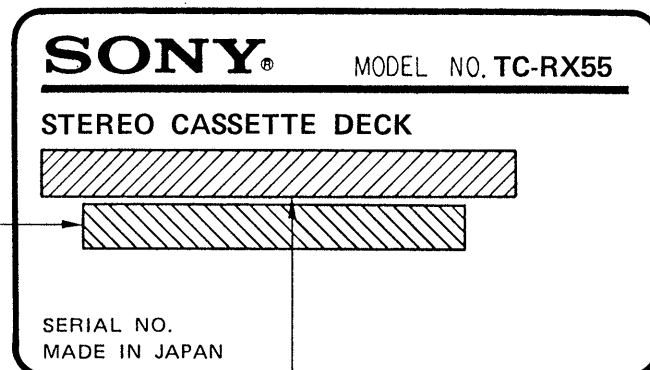
COMPONENTS IDENTIFIED BY MARK  OR DOTTED LINE WITH MARK  ON THE SCHEMATIC DIAGRAMS AND IN THE PARTS LIST ARE CRITICAL TO SAFE OPERATION. REPLACE THESE COMPONENTS WITH SONY PARTS WHOSE PART NUMBERS APPEAR AS SHOWN IN THIS MANUAL OR IN SUPPLEMENTS PUBLISHED BY SONY.

ATTENTION AU COMPOSANT AYANT RAPPORT À LA SÉCURITÉ!

LES COMPOSANTS IDENTIFIÉS PAR UNE MARQUE  SUR LES DIAGRAMMES SCHÉMATIQUES ET LA LISTE DES PIÈCES SONT CRITIQUES POUR LA SÉCURITÉ DE FONCTIONNEMENT. NE REMPLACER CES COMPOSANTS QUE PAR DES PIÈCES SONY DONT LES NUMÉROS SONT DONNÉS DANS CE MANUEL OU DANS LES SUPPLÉMENTS PUBLIÉS PAR SONY.

MODEL IDENTIFICATION (TC-RX55)

— Specification Label Printed on Back Panel —



AEP, E3 Model: AC 220 V ~ 50/60 Hz
 UK Model: AC 240 V ~ 50/60 Hz
 Canadian, E2 Model: AC 120 V 60 Hz 19 W

(S) (D) (N) (+S) (FI) : AE2 only

TABLE OF CONTENTS

| <u>Section</u> | <u>Title</u> | <u>Page</u> |
|----------------|---|-------------|
| | Specifications | 1 |
| | Features | 2 |
| | Model Identification | 2 |
| | Safety Check-out | 3 |
| 1. | GENERAL | |
| | Identification of Front Panel Parts | 3 |
| 2. | ADJUSTMENTS | |
| 2-1. | Mechanical Adjustments | 4 |
| 2-2. | Electrical Adjustments | 4 |
| 3. | DIAGRAMS | |
| 3-1. | Printed Wiring Boards | 8 |
| 3-2. | Schematic Diagram | 11 |
| 4. | EXPLODED VIEWS | 15 |
| 5. | ELECTRICAL PARTS LIST | 19 |

SAFETY CHECK-OUT

After correcting the original service problem, perform the following safety check before releasing the set to the customer:

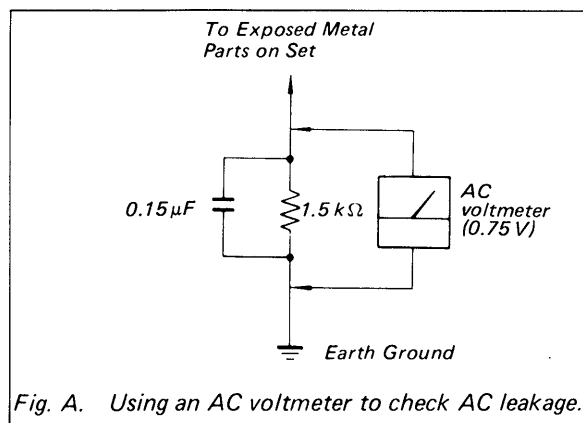
Check the antenna terminals, metal trim, "metallized" knobs, screws, and all other exposed metal parts for AC leakage. Check leakage as described below.

LEAKAGE TEST

The AC leakage from any exposed metal part to earth ground and from all exposed metal parts to any exposed metal part having a return to chassis, must not exceed 0.5 mA (500 microamperes). Leakage current can be measured by any one of three methods.

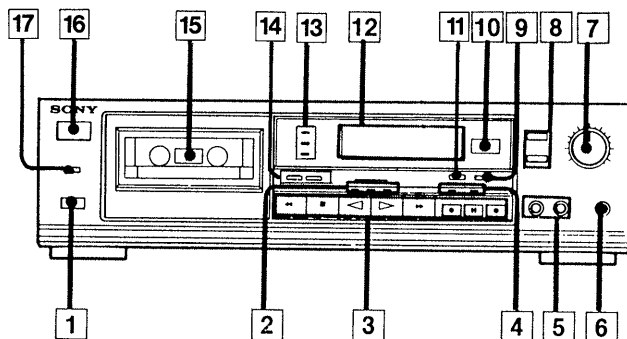
1. A commercial leakage tester, such as the Simpson 229 or RCA WT-540A. Follow the manufacturers' instructions to use these instruments.

2. A battery-operated AC milliammeter. The Data Precision 245 digital multimeter is suitable for this job.
3. Measuring the voltage drop across a resistor by means of a VOM or battery-operated AC voltmeter. The "limit" indication is 0.75 V, so analog meters must have an accurate low-voltage scale. The Simpson 250 and Sanwa SH-63Trd are examples of a passive VOM that is suitable. Nearly all battery operated digital multimeters that have a 2V AC range are suitable. (See Fig. A)



SECTION 1 GENERAL

IDENTIFICATION OF FRONT PANEL PARTS



- 1 (eject) button
- 2 DIRECTION indicators
- 3 Tape operation buttons
 - (leftward fast winding) button
 - (rightward fast winding) button
 - (forward play) button
 - (reverse play) button
 - (stop) button
 - (pause) button
 - REC MUTE (record muting) button
 - REC (record) button
- 4 Tape transport mode indicators (REC, PAUSE)
- 5 MICROPHONE jacks (phone jacks)
- 6 HEADPHONES jack (stereo phone jack)

- 7 REC LEVEL (recording level) controls
- 8 DOLBY NR switches
- 9 DIRECTION MODE selector (TC-RX410)
MPX FILTER switch (TC-RX55/RX55ES)
- 10 Remote control sensor
You can remotely control this cassette deck with:
 - A remote commander that has an mark and comes with a Sony amplifier or receiver and which can be used to control a cassette deck.
 - An optional Sony remote commander that has an mark.
- 11 DIRECTION MODE selector (TC-RX55/RX55ES)
- 12 PEAK LEVEL METER and DIGITAL COUNTER (TC-RX55/RX55ES)
- 13 TAPE TYPE indicators (TC-RX55/RX55ES)
- 14 COUNTER RESET and MEMORY buttons (TC-RX55/RX55ES)
- 15 Cassette holder
- 16 POWER switch
- 17 TIMER switch (TC-RX55/RX55ES)

SECTION 2 ADJUSTMENTS

SEE ADDITIONAL
SEE INFORMATION

2-1. MECHANICAL ADJUSTMENTS

PRECAUTION

- Clean the following parts with a denatured-alcohol-moistened swab :

| | |
|----------------------|--------------|
| record/playback head | pinch roller |
| erase head | rubber belts |
| capstan | idler |
- Demagnetize the record/playback head with a head demagnetizer.
- Do not use a magnetized screwdriver for the adjustments.
- After the adjustments, apply suitable locking compound to the parts adjusted.
- The adjustments should be performed with the rated power supply voltage unless otherwise noted.
- Switch position
 DOLBY NR : OFF
 B/C : B
 MPX FILTER : OFF
 DIRECTION MODE : \rightleftharpoons
 TIMER : OFF

Torque Measurement

| Torque | Torque Meter | Meter Reading |
|------------------|--------------|---|
| FWD | CQ-102C | 27 to 75g · cm (0.378 to 1.05 oz · inch) |
| FWD Back tension | CQ-102C | 1 to 10g · cm (0.014 to 0.14 oz · inch) |
| REV | CQ-102RC | 27 to 75g · cm (0.378 to 1.05 oz · inch) |
| REV Back Tension | CQ-102RC | 1 to 10g · cm (0.014 to 0.14 oz · inch) |
| FF, REW | CQ-102B | 95 to 165g · cm (1.33 to 2.31 oz · inch) |

2-2. ELECTRICAL ADJUSTMENTS

Note : The adjustment should be performed in the order given in the service manual.

The adjustments should be performed for both L-CH and R-CH.

- Switches and controls should be set as follows unless otherwise specified.

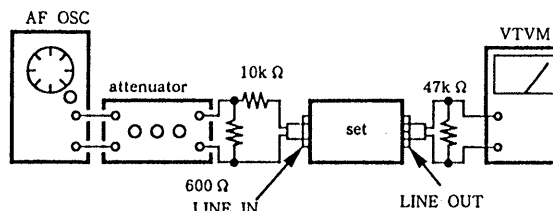
- | | |
|-----------------------|-------------------------------|
| DOLBY NR switch | : OFF |
| DIRECTION MODE switch | : \rightleftharpoons |
| TIMER switch | : OFF |
| TAPE SELECT switch | : According to the tape type. |

| Tape | TAPE Switch |
|-------|-------------|
| CS-17 | TYPE I |
| CS-26 | TYPE II |
| CS-42 | TYPE IV |

- Standard Record :

Deliver the standard input signal level to the input jack and set the REC LEVEL control to obtain the standard output signal level.

—Record Mode—



Standard Input Level

| | LINE IN |
|------------------|---------------|
| source impedance | 10k Ω |
| input level | 0.25V (-10dB) |

Standard Output Level

| | LINE OUT |
|----------------|--------------|
| load impedance | 47k Ω |
| output level | 0.44V (-5dB) |

• Test tape

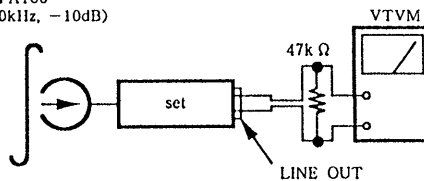
| Type | Signal | Used for |
|----------|--------------|-----------------------|
| P-4-A100 | 10kHz, -10dB | Azimuth Adjustment |
| P-4-L300 | 315Hz, 0dB | PB LEVEL Adjustment |
| WS-48B | 3kHz, 0dB | Tape Speed Adjustment |

Record/Playback Head Azimuth Adjustment

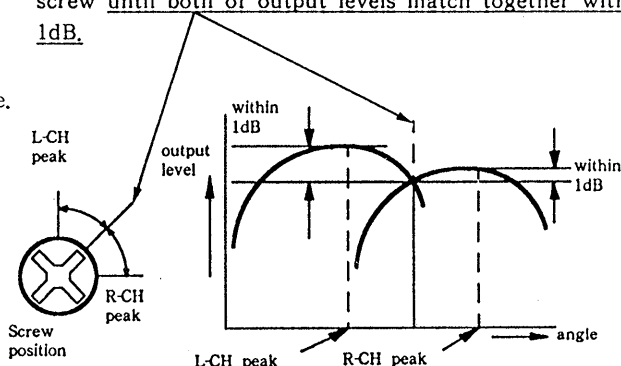
Procedure :

- Mode : FWD playback

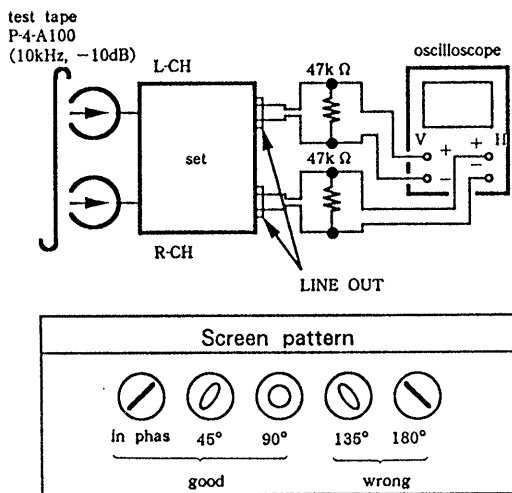
test tape
P-4-A100
(10kHz, -10dB)



- Turn the adjustment screw for the maximum output levels. If these levels do not match, turn the adjustment screw until both of output levels match together within 1dB.

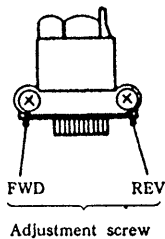


3. Phase Check
Mode : playback



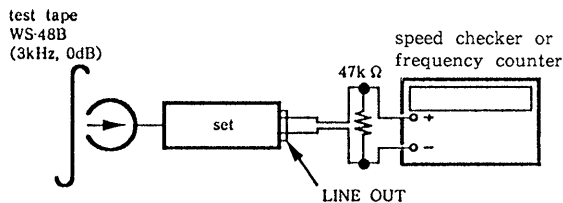
4. Set in the REV mode and repeat the step 1-3.
5. After the adjustment, lock the screws with locking compound.

Adjustment Location : Record/Playback head



Tape Speed Adjustment

Procedure :
Mode : FWD playback



Specifications :

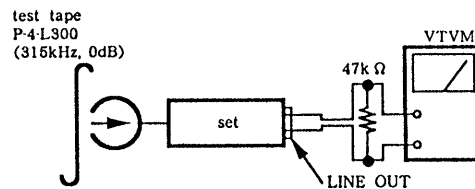
| SPEED CHECKER | FREQUENCY COUNTER |
|---------------|-------------------|
| 0.19% | 2,965~2,995Hz |

Adjust the variable resistor which built-in the motor so that the frequency difference between the beginning and the end of the tape should be contented within 1.5% (45Hz).

Adjustment Location :
: motor (M901) rear side

Playback Level Adjustment

Procedure :
Mode : playback



Adjust RV41 (L-CH), RV61 (R-CH) so that the reading on VTVM meets the specification below.

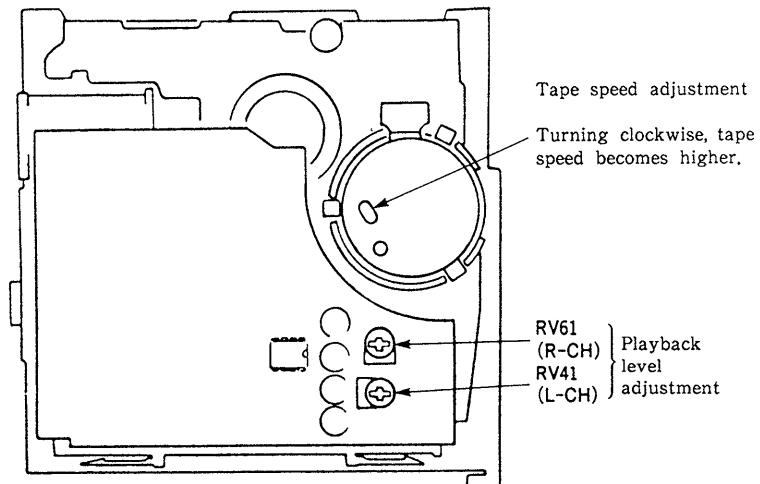
Specification :

LINE OUT level : $-5 \pm 0.5\text{dB}$ (0.41~0.46V)

Level difference between channels : less than 0.5dB

Check that the LINE OUT level does not change in playback mode while changing the mode from playback to stop several times.

Adjustment Location : MD (B) board



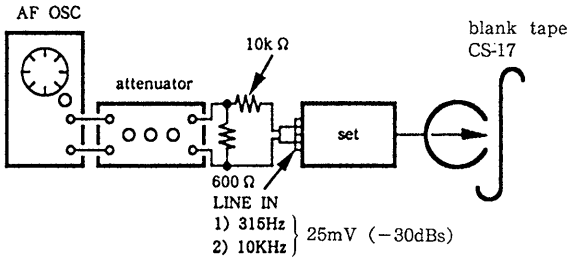
Record Bias Adjustment

Setting :

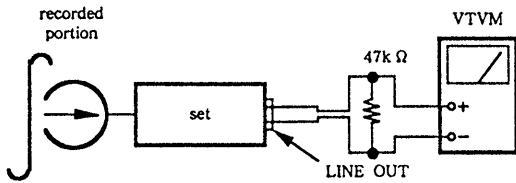
REC LEVEL control : standard record (See page 4.)

Procedure :

1. Mode : record



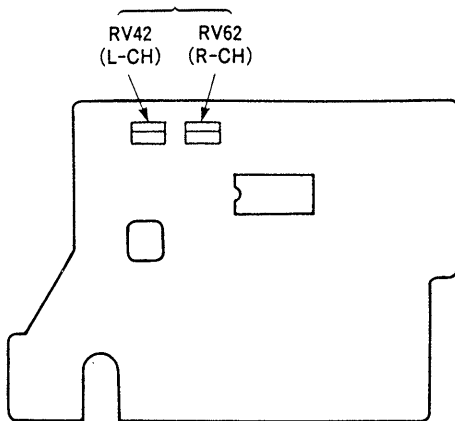
2. Mode : playback



Confirm that the 10kHz playback output is 0 ± 0.5 dB relative to the 315Hz output. If necessary, adjust RV42 (L-CH), RV62 (R-CH) and repeat the steps given above.

Adjustment Location : HX PRO board

Recording bias adjustment



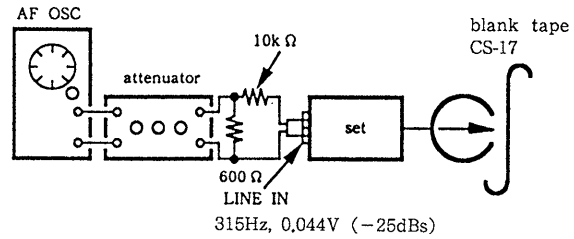
Record Level Adjustment

Setting :

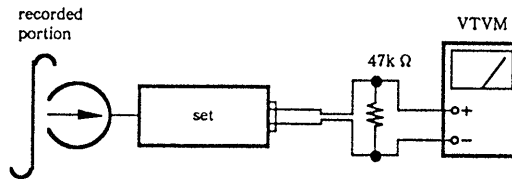
REC LEVEL control : standard record (See page 4.)

Procedure :

1. Mode : record



2. Mode : playback

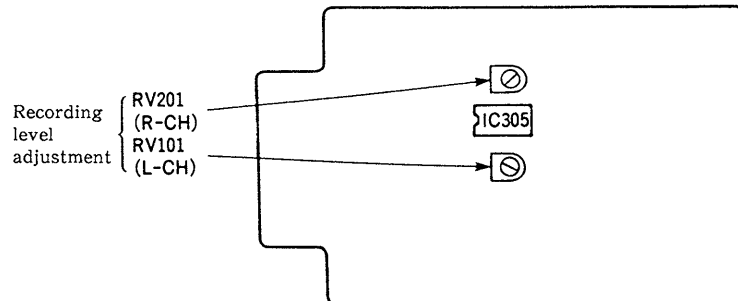


3. Play back the signal recorded in step 1.

Confirm that the signal level is within the specification below. If necessary, adjust RV101 (L-CH), RV201 (R-CH) and repeat the step 1-3.

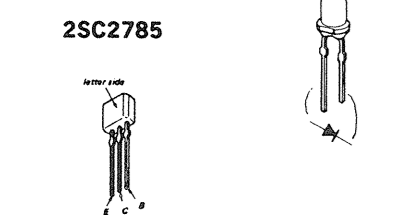
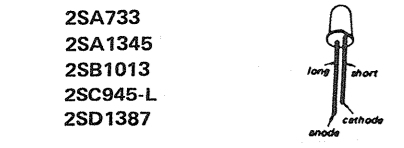
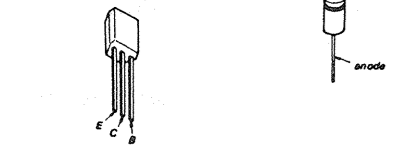
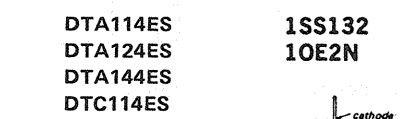
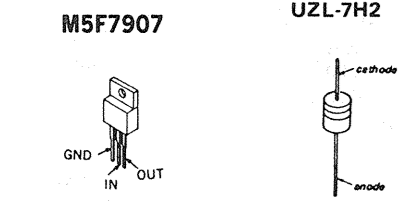
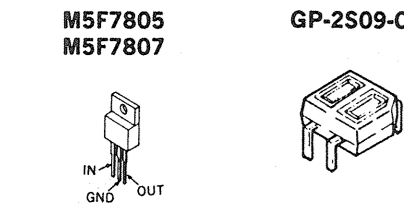
Specification : LINE OUT level : $-25\text{dB} \pm 0.5\text{dBs}$ (0.041~0.046V)

Adjustment Location : MAIN board



**SECTION 3
DIAGRAMS**

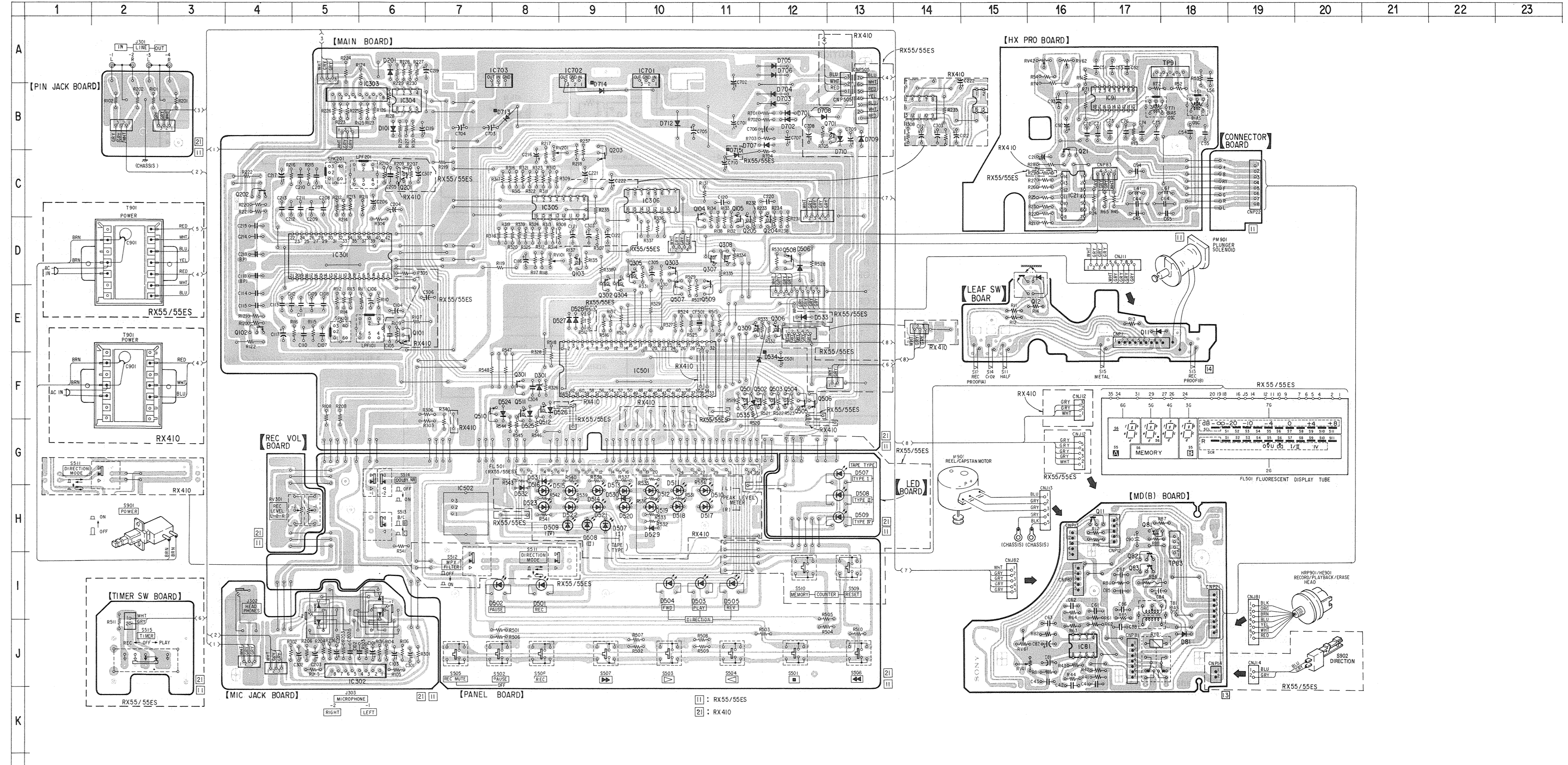
● Semiconductor Lead Layouts



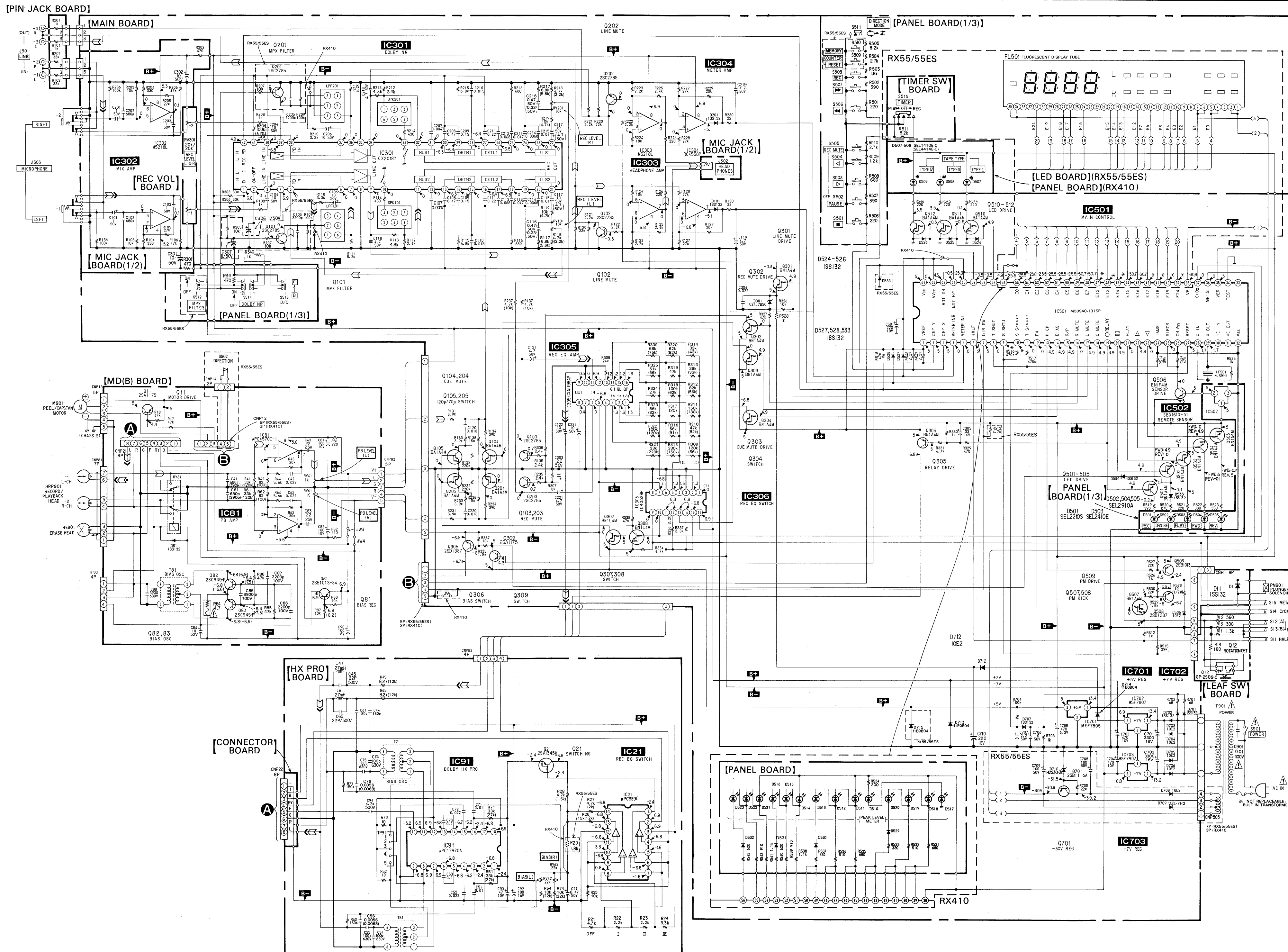
● Semiconductor Location

| Ref. No. | Location | Ref. No. | Location |
|----------|------------------|----------|------------------|
| D11 | E-17 | IC21 | C-16 |
| D81 | J-18 | IC81 | J-16 |
| D101 | B-6 | IC91 | B-17 |
| D201 | A-6 | IC301 | D-5 |
| D301 | F-8 | IC302 | J-5 |
| D501 | I-8 | IC303 | B-6 |
| D502 | I-8 | IC304 | B-6 (RX410) |
| D503 | I-11 | IC305 | C-8 |
| D504 | I-10 | IC306 | C-10 |
| D505 | I-11 | IC501 | F-10 |
| D506 | D-12 | IC502 | H-7 |
| D507 | G-13 (RX55/55ES) | IC701 | A-10 (RX410) |
| D508 | H-9 (RX410) | IC702 | A-9 |
| D508 | H-13 (RX55/55ES) | IC703 | A-8 |
| D508 | H-9 (RX410) | Q11 | H-17 |
| D509 | H-13 (RX55/55ES) | Q12 | E-16 |
| D509 | H-9 (RX410) | Q21 | C-16 |
| D510 | H-11 (RX410) | Q81 | H-17 |
| D511 | H-10 (RX410) | Q82 | I-17 |
| D512 | H-10 (RX410) | Q83 | I-17 |
| D513 | H-9 (RX410) | Q101 | E-6 (RX410) |
| D514 | H-9 (RX410) | Q102 | E-4 |
| D515 | H-9 (RX410) | Q103 | D-9 |
| D516 | H-8 (RX410) | Q104 | D-11 |
| D517 | H-11 (RX410) | Q105 | D-11 |
| D518 | H-10 (RX410) | Q201 | C-6 |
| D519 | H-10 (RX410) | Q202 | C-4 |
| D520 | H-9 (RX410) | Q203 | C-9 |
| D521 | H-9 (RX410) | Q204 | D-12 |
| D522 | H-9 (RX410) | Q205 | D-11 |
| D523 | H-8 (RX410) | Q301 | F-8 |
| D524 | F-8 | Q302 | E-9 |
| D525 | F-8 | Q303 | D-10 |
| D526 | F-8 | Q304 | E-9 |
| D527 | E-9 | Q305 | D-10 |
| D528 | E-9 | Q306 | E-12 |
| D529 | H-10 (RX410) | Q307 | D-11 |
| D530 | H-9 (RX410) | Q308 | D-11 |
| D531 | G-8 (RX410) | Q309 | E-11 |
| D532 | H-8 (RX410) | Q501 | F-11 |
| D533 | E-12 (RX55/55ES) | Q502 | F-11 |
| D534 | F-12 | Q503 | F-12 |
| D535 | F-12 | Q504 | F-12 |
| D701 | B-12 | Q505 | F-12 |
| D702 | B-12 | Q506 | F-12 |
| D703 | B-12 (RX410) | Q507 | E-10 |
| D704 | B-12 (RX410) | Q508 | D-12 |
| D705 | A-12 (RX410) | Q509 | E-11 |
| D706 | A-12 (RX410) | Q510 | F-8 |
| D707 | B-12 | Q511 | F-8 |
| D708 | B-12 (RX55/55ES) | Q701 | B-13 (RX55/55ES) |
| D709 | B-13 (RX55/55ES) | | |
| D710 | B-13 (RX55/55ES) | | |
| D712 | B-10 | | |
| D713 | B-8 | | |
| D714 | B-9 | | |
| D715 | C-11 (RX55/55ES) | | |

Note:
 ● : parts extracted from the component side.
 ○ : parts extracted from the conductor side.
 □ : indicates side identified with part number.



1 2 3 4 5 6 7 8 9 10 11 12 13 14 15 16 17 18 19 20 21 22 23 24 25 26 27 28 29 30
A B C D E F G H I J K L M N O P



IC Block Diagram
IC91 μ PC1297CA

Note:
 • All capacitors are in μ F unless otherwise noted. pF: μ F 50WV or less are not indicated except for electrolytics and tantalums.
 • All resistors are in Ω and $\frac{1}{4}$ W or less unless otherwise specified.
 • \square : adjustment for repair.
 • Voltage and waveforms are dc with respect to ground under no-signal conditions.
 • no mark: PB
 (): REC
 • Voltages are taken with a VOM (10 M Ω /V). Voltage variations may be noted due to normal production tolerances.
 • Signal path.
 Σ : PB
 \curvearrowright : REC

Note:
 The components identified by mark Δ or dotted line with mark Δ are critical for safety. Replace only with part number specified.

Note:
 Les composants identifiés par une marque Δ ou une ligne pointillée avec une marque Δ sont critiques pour la sécurité. Ne les remplacer que par une pièce portant le numéro spécifié.

SECTION 4

EXPLODED VIEWS

NOTE:

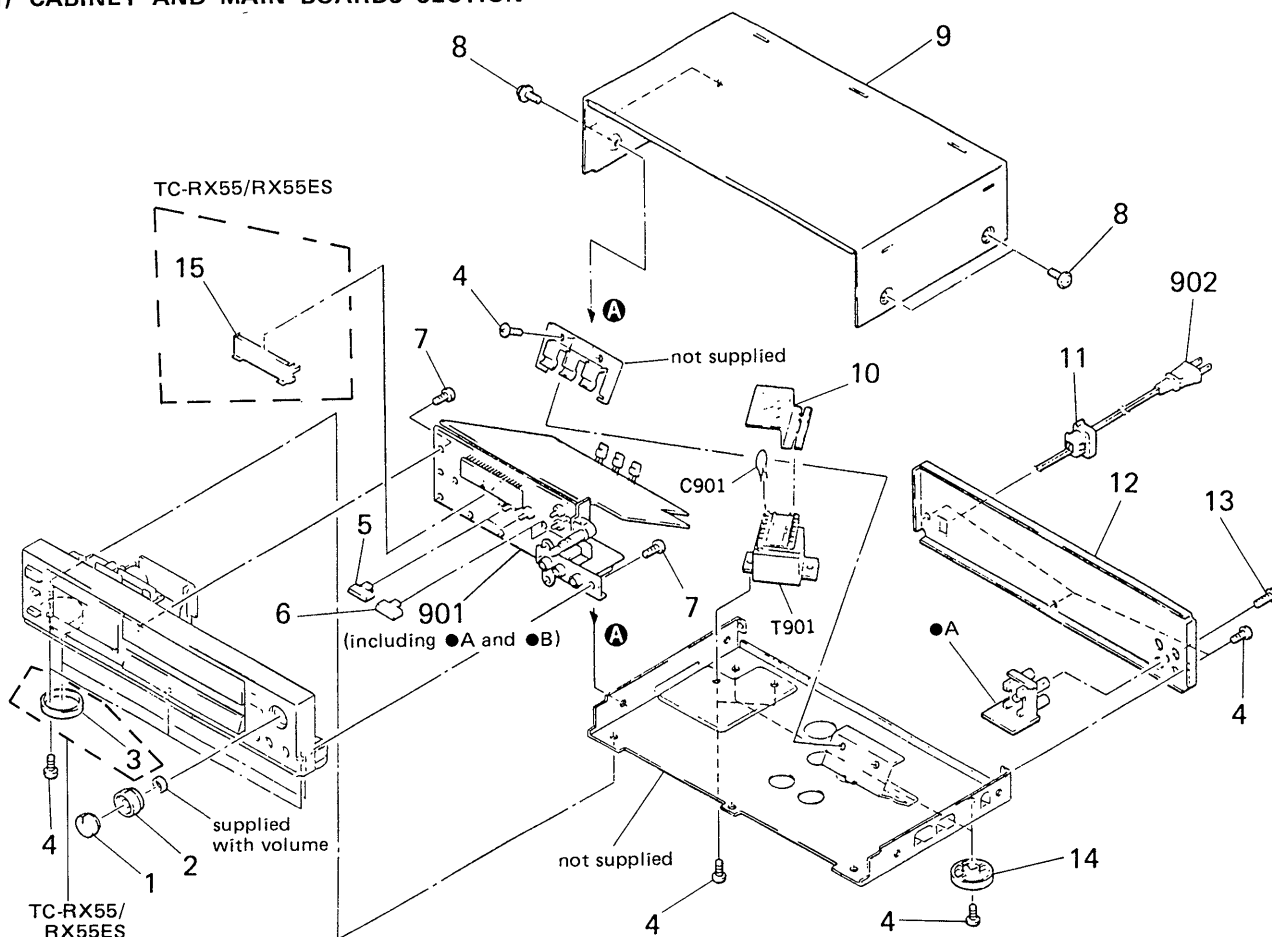
- The mechanical parts with no reference number in the exploded views are not supplied.
- The construction parts of an assembled part are indicated with a collation number in the remark column.
- Items marked "★" are not stocked since they are seldom required for routine service. Some delay should be anticipated when ordering these items.

- Due to standardization, parts with part number suffix -XX and -X may be different from the parts specified in the components used on the set.
- Color Indication of Appearance Parts
Example:
(RED) ... KNOB, BALANCE (WHITE)
↑ ↑
Cabinet's Color Parts' Color

The components identified by mark \triangle or dotted line with mark \triangle are critical for safety. Replace only with part number specified.

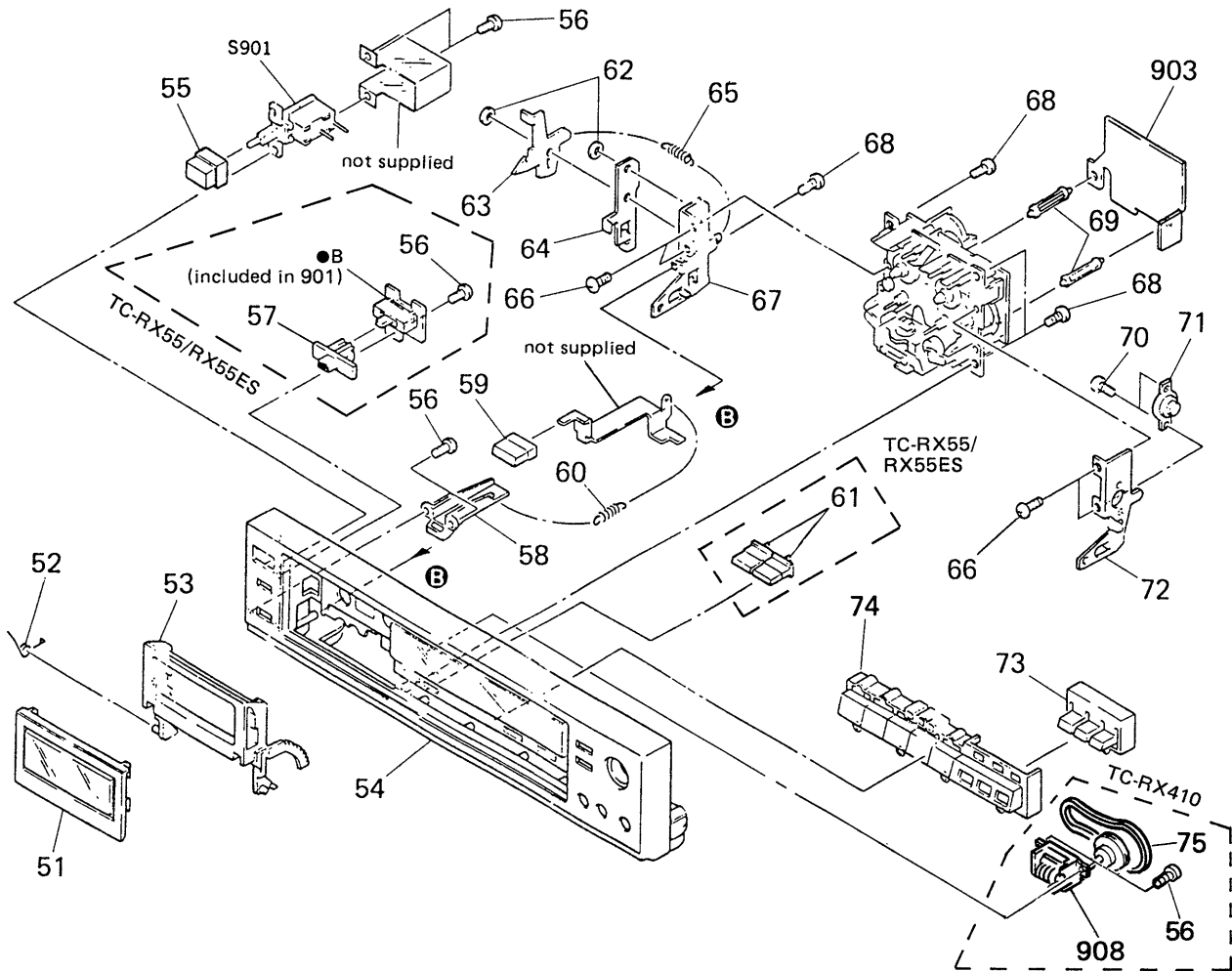
Les composants identifiés par une marque \triangle sont critiques pour la sécurité. Ne les remplacer que par une pièce portant le numéro spécifié.

(1) CABINET AND MAIN BOARDS SECTION

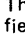

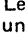


| No. | Part No. | Description | Remarks | No. | Part No. | Description | Remarks |
|-----|---------------|---|---------|------|---------------------------|---------------------------------------|---------|
| 1 | 3-332-590-01 | KNOB (REC VOL-RIGHT) | | 13 | 7-621-849-00 | SCREW, TAPPING | |
| 2 | 3-332-589-01 | KNOB (REC VOL-LEFT) | | 14 | X-4885-935-1 | (RX55:AEP/UK/E3,RX55ES)....FOOT ASSY | |
| 3 | 4-929-030-11 | (RX55,RX55ES)....RING (DIA.58A), ORNAMENTAL | | | X-4911-201-1 | (RX410,RX55:Canadian/E2)....FOOT ASSY | |
| 4 | 7-682-548-04 | SCREW +BVTT 3X8 (S) | | 15 | *3-350-824-01 | (RX55,RX55ES) ...HOLDER (FL) | |
| 5 | 3-350-810-01 | BUTTON | | 901 | *A-2006-064-A | (RX55,RX55ES)...MOUNTED PCB, AUDIO | |
| 6 | 3-350-809-01 | BUTTON | | | *A-2006-073-A | (RX410).....MOUNTED PCB, AUDIO | |
| 7 | 4-928-635-01 | SCREW, +BV (2.6X8) TAPPING | | 902 | \triangle .1-551-506-XX | (US,Canadian,E3)....CORD, POWER | |
| 8 | 3-704-366-01 | SCREW (CASE) (M3X8) | | | \triangle .1-551-884-32 | (UK).....CORD, POWER | |
| 9 | 3-332-578-61 | CASE | | | \triangle .1-555-795-00 | (AEP,E3)....CORD, POWER, EURO PLUG | |
| 10 | *3-337-136-01 | COVER, TRANSFORMER SAFETY | | C901 | \triangle .1-161-744-00 | CAP, CERAMIC 10000PF FZ | |
| 11 | *3-703-244-00 | (AEP,UK,E3)...BUSHING (2104), CORD | | | | | |
| | 3-703-571-00 | (US,Canadian,E2) ...BUSHING (S) (4516), CORD | | | | | |
| 12 | *3-350-802-11 | (RX55:UK).....PANEL, BACK | | | | | |
| | *3-350-802-21 | (RX55:AE1/West Germany/E3)....PANEL, BACK | | | | | |
| | *3-350-802-31 | (RX55:AE2).....PANEL, BACK | | | | | |
| | *3-350-802-41 | (RX55ES).....PANEL, BACK | | | | | |
| | *3-350-802-51 | (RX410).....PANEL, BACK | | | | | |
| | *3-350-802-61 | (RX55,Canadian)....PANEL, BACK | | | | | |

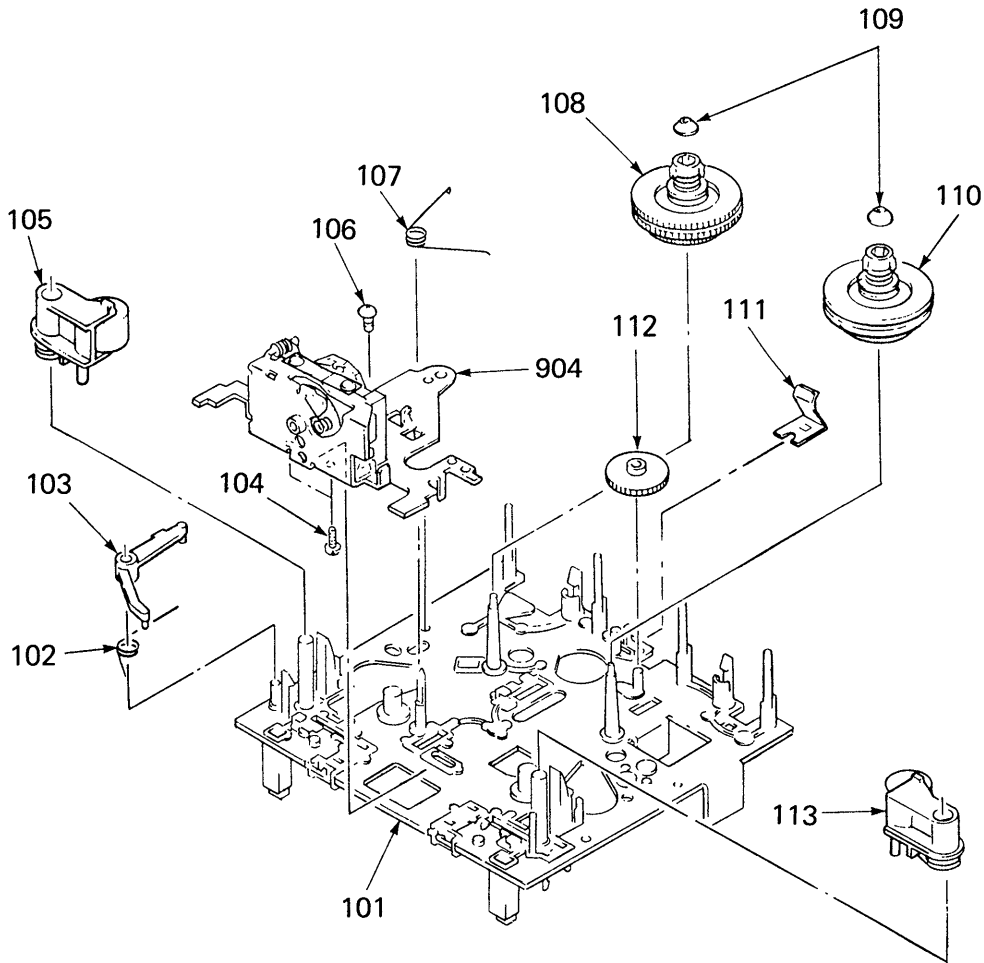
(2) FRONT PANEL SECTION



| No. | Part No. | Description | Remarks | No. | Part No. | Description | Remarks |
|-----|--|---|---------|------|----------------|--|---------|
| 51 | X-3332-555-1 X-3332-556-1 X-3332-560-1 | (RX55ES)...LID ASSY, CASSETTE (RX55).....LID ASSY, CASSETTE (RX410)....LID ASSY, CASSETTE | | 64 | *3-346-306-01 | LEVER (EJECT) | |
| 52 | 3-346-336-01 | SPRING, TORSION | | 65 | 3-312-432-00 | SPRING, TENSION | |
| 53 | X-3332-482-1 | HOLDER ASSY, CASSETTE | | 66 | 7-621-773-86 | SCREW +BVTT 2.6X4 (S) | |
| 54 | X-3332-558-1 X-3332-559-1 X-3332-561-1 | (RX55ES)...PANEL ASSY, FRONT (RX55).....PANEL ASSY, FRONT (RX410)....PANEL ASSY, FRONT | | 67 | *X-3332-487-1 | BRACKET ASSY (B) | |
| 55 | 4-917-460-01 | KNOB, POWER | | 68 | 7-685-534-19 | SCREW +BTP 2.6X8 TYPE2 N-S | |
| 56 | 4-928-635-01 | SCREW, +BV (2.6X8) TAPPING | | 69 | *3-682-419-21 | HOLDER, P.C.B | |
| 57 | 3-307-538-11 | (RX55,RX55ES)...KNOB, SWITCH, TIMER | | 70 | 7-621-255-15 | SCREW +PTT 2X3 (S) | |
| 58 | *3-349-017-01 | RETAINER, SLIDER | | 71 | 3-319-224-31 | DAMPER, SMALL | |
| 59 | 3-343-698-21 | BUTTON (EJECT) | | 72 | *3-346-305-01 | BRACKET (DAMPER) | |
| 60 | 3-662-752-21 | SPRING, TENSION | | 73 | 3-350-813-01 | BUTTON (B) | |
| 61 | 3-350-812-01 | (RX55,RX55ES)...BUTTON (COUNTER) | | 74 | 3-350-819-01 | BUTTON (A) | |
| 62 | 3-558-708-21 | WASHER, STOPPER | | 75 | 3-506-040-XX | (RX410)...BELT, SQUARE | |
| 63 | *3-343-449-01 | LEVER (LOCK LEVER) | | 903 | *1-630-423-11 | PC BOARD, HX PRO | |
| | | | | 908 | 1-548-596-31 | (RX410)...COUNTER, TAPE (MIDDLE TYPE) | |
| | | | | S901 | △.1-553-318-71 | SWITCH, PUSH (AC POWER)(1 KEY) | |
| | | | | T901 | △.1-449-596-11 | (RX55ES,RX55:Canadian/E2) ...TRANSFORMER, POWER | |
| | | | | T901 | △.1-449-597-11 | (RX55:AEP/UK/E3)...TRANSFORMER, POWER | |
| | | | | T901 | △.1-449-598-11 | (RX410).....TRANSFORMER, POWER | |

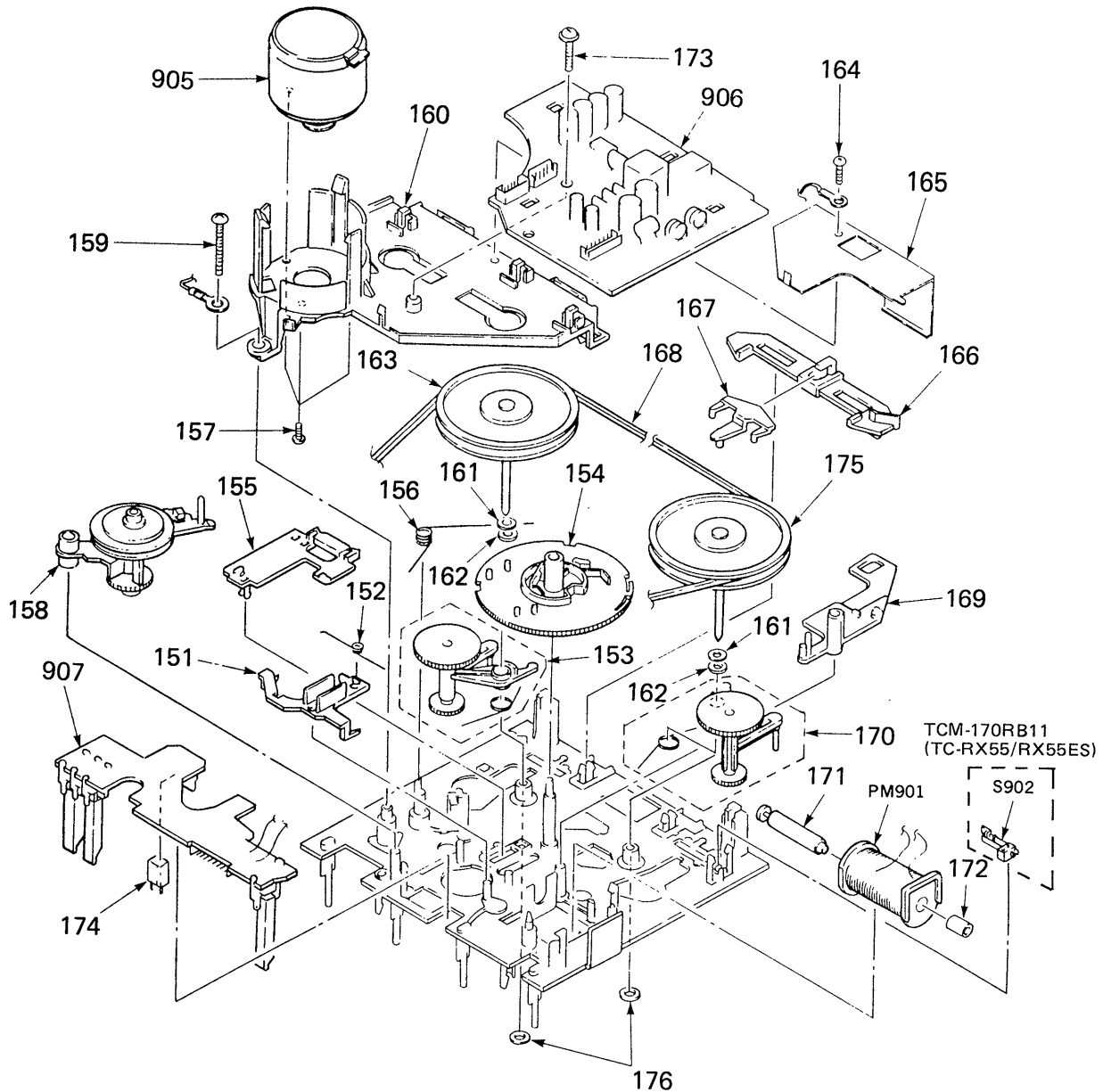
| | |
|--|--|
| <p>Note: The components identified by mark  or dotted line with mark  are critical for safety. Replace only with part number specified.</p> | <p>Note: Les composants identifiés par une marque  sont critiques pour la sécurité. Ne les remplacer que par une pièce portant le numéro spécifié.</p> |
|--|--|

(3) TAPE TRANSPORT MECHANISM SECTION-1
 (TCM-170RB11 (TC-RX55/RX55ES)/170RB13 (TC-RX410))



| No. | Part No. | Description | Remarks | No. | Part No. | Description | Remarks |
|-----|---------------|-------------------------------|---------|-----|--------------|--------------------------------------|---------|
| 101 | *X-3343-418-1 | CHASSIS ASSY, MECHANICAL | | 109 | 3-343-439-01 | CAP (REEL TABLE) | |
| 102 | 3-343-477-01 | SPRING, TORSION (EJECT SAFTY) | | 110 | X-3343-401-1 | TABEL ASSY, REEL | |
| 103 | *3-343-476-01 | LEVER (EJECT SAFETY LEVER) | | 111 | 3-343-420-01 | SPRING, LEAF | |
| 104 | 7-685-102-19 | SCREW +P 2X4 NON-SLIT TYPE 2 | | 112 | 3-343-411-01 | GEAR (FF GEAR) | |
| 105 | X-3343-403-1 | LEVER (PINCH LEVER REV) ASSY | | 113 | X-3343-402-1 | LEVER (PINCH LEVER FWD) ASSY | |
| 106 | 7-621-773-86 | SCREW +BVTT 2.6X4 (S) | | 904 | A-2108-124-A | (RX55,RX55ES) | |
| 107 | 3-343-401-01 | SPRING, TORSION | | | | ...CHASSIS ASSY, HEAD (HE901,HRP901) | |
| 108 | X-3343-415-1 | TABEL (REV) ASSY, REEL | | | A-2108-130-A | (RX410) | |
| | | | | | | ...CHASSIS ASSY, HEAD (HE901,HRP901) | |

(4) TAPE TRANSPORT MECHANISM SECTION-2
(TCM-170RB11 (TC-RX55/RX55ES)/170RB13 (TC-RX410))



| No. | Part No. | Description | Remarks | No. | Part No. | Description | Remarks |
|-----|---------------|-----------------------------|---------|-------|---------------|--|---------|
| 151 | 3-343-453-01 | SLIDER (BRAKE PLATE) | | 166 | *3-343-457-01 | SLIDER (REVERSE SLIDER) | |
| 152 | 3-343-429-01 | SPRING, TORSION | | 167 | 3-343-462-01 | LEVER | |
| 153 | X-3343-406-1 | LEVER (TU ARM REV) ASSY | | 168 | 3-343-426-02 | BELT (CAPSTAN BELT SQUARE) | |
| 154 | 3-343-470-01 | GEAR (CAM GEAR) | | 169 | 3-343-493-01 | LEVER (PM LEVER) | |
| 155 | *3-343-461-01 | SLIDER | | 170 | X-3343-405-1 | LEVER (TU ARM FWD) ASSY | |
| 156 | 3-343-430-01 | SPRING, TORSION | | 171 | *3-343-425-01 | ARBOR(MOVABLE IRON ARBOR),IRON | |
| 157 | 7-627-556-28 | SCREW +P 2.6X3.5 | | 172 | *3-343-424-01 | ARBOR (FIXED IRON ARBOR), IRON | |
| 158 | X-3343-414-1 | LAYER (FR ARM) ASSY | | 173 | 3-343-404-01 | SCREW (PTPWH 2X10) | |
| 159 | 3-343-403-01 | SCREW (PTTWH 2X18) | | 174 | *3-343-419-01 | HOLDER (S SENSOR A) | |
| 160 | *X-3343-407-1 | BASE (THRUST RETAINER) ASSY | | 175 | X-3343-431-1 | FLYWHEEL (REV) COMPLETE ASSY | |
| 161 | 4-605-835-11 | WASHER (2.6), POLYSLIDER | | 176 | 3-343-473-01 | WASHER, NYLON | |
| 162 | 3-307-482-00 | WASHER, LUMILER | | 905 | X-3343-408-1 | MOTOR ASSY (M901) | |
| 163 | X-3343-429-1 | FLYWHEEL COMPLETE ASSY | | 906 | *1-629-211-11 | PC BOARD, MD (B) | |
| 164 | 7-685-104-19 | SCREW +P 2X6 TYPE2 NON-SLIT | | 907 | *1-624-148-11 | PC BOARD, LEAF SW | |
| 165 | 3-343-480-01 | PLATE, SHIELD | | PM901 | 1-454-456-11 | SOLENOID, PLUNGER | |
| | | | | S902 | 1-571-028-11 | (RX55,RX55ES)...SWITCH, LEAF (DIRECTION) | |

SECTION 5 ELECTRICAL PARTS LIST

NOTE:

- Due to standardization, replacements in the parts list may be different from the parts specified in the diagrams or the components used on the set.
- Items marked "★" are not stocked since they are seldom required for routine service. Some delay should be anticipated when ordering these items.
- If there are two or more same circuits in a set such as a stereophonic machine, only typical circuit parts may be indicated and capacitors and resistors in other same circuits may be omitted.

CAPACITORS:

MF: μ F, PF: μ μ F.

RESISTORS

- All resistors are in ohms.
- F: nonflammable

COILS

- MMH: mH, UH: μ H

SEMICONDUCTORS

In each case, U: μ , for example:

UA...: μ A..., UPA...: μ PA...,
UPC...: μ PC, UPD...: μ PD...

The components identified by mark or dotted line with mark are critical for safety. Replace only with part number specified.

Les composants identifiés par une marque sont critiques pour la sécurité. Ne les remplacer que par une pièce portant le numéro spécifié.

| Ref.No. | Part No. | Description | Ref.No. | Part No. | Description |
|---------|---------------|---------------------------------------|---------|--------------|---|
| 901 | *A-2006-064-A | (RX55,RX55ES)...MOUNTED PCB, AUDIO | C85 | 1-130-856-00 | FILM 0.0068MF 5% 100V |
| | *A-2006-073-A | (RX410).....MOUNTED PCB, AUDIO | C86 | 1-136-230-00 | FILM 0.0022MF 5% 100V |
| 902 | .1-551-506-XX | (US,Canadian,E)...CORD, POWER | C87 | 1-136-230-00 | FILM 0.0022MF 5% 100V |
| | .1-551-884-32 | (UK).....CORD, POWER | C88 | 1-136-558-11 | FILM 0.0039MF 5% 630V |
| | .1-555-795-00 | (AEP,E3)...CORD, POWER, EURO PLUG | C90 | 1-126-101-11 | ELECT 100MF 20% 16V |
| 903 | *1-630-423-11 | PC BOARD, HX PRO | C92 | 1-126-101-11 | ELECT 100MF 20% 16V |
| 904 | A-2108-124-A | (RX55,RX55ES)...CHASSIS ASSY, HEAD | C93 | 1-124-446-11 | ELECT 47MF 20% 10V |
| | | (HE901,HRP901) | C94 | 1-107-046-00 | MICA 4.7PF 0.5PF 500V |
| | A-2108-130-A | (RX410)...CHASSIS ASSY, HEAD | C101 | 1-124-499-11 | ELECT 1MF 20% 50V |
| | | (HE901,HRP901) | C102 | 1-162-292-31 | CERAMIC 680PF 10% 50V |
| 905 | X-3343-408-1 | MOTOR ASSY (M901) | C103 | 1-124-499-11 | ELECT 1MF 20% 50V |
| 906 | *1-629-211-11 | PC BOARD, MD (B) | C104 | 1-123-875-11 | ELECT 10MF 20% 50V |
| 907 | *1-624-148-11 | PC BOARD, LEAF SW | C105 | 1-161-375-00 | (RX55,RX55ES)..CERAMIC 0.0022MF 30% 16V |
| 908 | 1-548-596-31 | (RX410)...COUNTER, TAPE (MIDDLE TYPE) | C106 | 1-123-875-11 | ELECT 10MF 20% 50V |
| C21 | 1-124-902-00 | ELECT 0.47MF 20% 50V | C107 | 1-130-479-00 | MYLAR 0.0047MF 5% 50V |
| C41 | 1-110-342-11 | (RX410).....MYLAR 390PF 5% 50V | C108 | 1-136-173-00 | FILM 0.47MF 5% 50V |
| C41 | 1-130-469-00 | (RX55,RX55ES)...MYLAR 680PF 5% 50V | C109 | 1-136-167-00 | FILM 0.15MF 5% 50V |
| C42 | 1-136-157-00 | FILM 0.022MF 5% 50V | C110 | 1-136-155-00 | FILM 0.015MF 5% 50V |
| C43 | 1-124-282-00 | ELECT 22MF 20% 25V | C111 | 1-136-169-00 | FILM 0.22MF 5% 50V |
| C44 | 1-162-285-31 | CERAMIC 180PF 10% 50V | C112 | 1-136-163-00 | FILM 0.068MF 5% 50V |
| C45 | 1-107-210-00 | MICA 22PF 5% 500V | C113 | 1-136-161-00 | FILM 0.047MF 5% 50V |
| C51 | 1-136-153-00 | FILM 0.01MF 5% 50V | C114 | 1-130-481-00 | MYLAR 0.0068MF 5% 50V |
| C52 | 1-136-157-00 | FILM 0.022MF 5% 50V | C115 | 1-136-153-00 | FILM 0.01MF 5% 50V |
| C53 | 1-136-165-00 | FILM 0.1MF 5% 50V | C116 | 1-124-252-00 | (RX410).....ELECT 0.33MF 20% 50V |
| C54 | 1-136-433-11 | FILM 100PF 5% 630V | C116 | 1-124-902-00 | (RX55,RX55ES)...ELECT 0.47MF 20% 50V |
| C55 | 1-136-433-11 | FILM 100PF 5% 630V | C117 | 1-123-875-11 | (RX55,RX55ES)...ELECT 10MF 20% 50V |
| C56 | 1-130-468-00 | (RX55,RX55ES)...MYLAR 560PF 5% 50V | C117 | 1-124-927-11 | (RX410).....ELECT 4.7MF 20% 50V |
| C56 | 1-130-469-00 | (RX410).....MYLAR 680PF 5% 50V | C118 | 1-124-768-11 | ELECT 4.7MF 20% 50V |
| C61 | 1-110-342-11 | (RX410).....MYLAR 390PF 5% 50V | C119 | 1-124-927-11 | ELECT 4.7MF 20% 50V |
| C61 | 1-130-469-00 | (RX55,RX55ES)...MYLAR 680PF 5% 50V | C120 | 1-136-156-00 | FILM 0.018MF 5% 50V |
| C62 | 1-136-157-00 | FILM 0.022MF 5% 50V | C121 | 1-124-927-11 | ELECT 4.7MF 20% 50V |
| C63 | 1-124-282-00 | ELECT 22MF 20% 25V | C122 | 1-123-875-11 | ELECT 10MF 20% 50V |
| C64 | 1-162-285-31 | CERAMIC 180PF 10% 50V | C201 | 1-124-499-11 | ELECT 1MF 20% 50V |
| C65 | 1-107-210-00 | MICA 22PF 5% 500V | C202 | 1-162-292-31 | CERAMIC 680PF 10% 50V |
| C71 | 1-136-153-00 | FILM 0.01MF 5% 50V | C203 | 1-124-499-11 | ELECT 1MF 20% 50V |
| C72 | 1-136-157-00 | FILM 0.022MF 5% 50V | C204 | 1-123-875-11 | ELECT 10MF 20% 50V |
| C73 | 1-136-165-00 | FILM 0.1MF 5% 50V | C205 | 1-161-375-00 | (RX55,RX55ES)..CERAMIC 0.0022MF 30% 16V |
| C74 | 1-136-433-11 | FILM 100PF 5% 630V | C206 | 1-123-875-11 | ELECT 10MF 20% 50V |
| C75 | 1-136-433-11 | FILM 100PF 5% 630V | C207 | 1-130-479-00 | MYLAR 0.0047MF 5% 50V |
| C76 | 1-130-468-00 | (RX55,RX55ES)...MYLAR 560PF 5% 50V | C208 | 1-136-173-00 | FILM 0.47MF 5% 50V |
| C76 | 1-130-469-00 | (RX410).....MYLAR 680PF 5% 50V | C209 | 1-136-167-00 | FILM 0.15MF 5% 50V |
| C81 | 1-124-443-00 | ELECT 100MF 20% 10V | C210 | 1-136-155-00 | FILM 0.015MF 5% 50V |
| C82 | 1-124-443-00 | ELECT 100MF 20% 10V | C211 | 1-136-169-00 | FILM 0.22MF 5% 50V |
| C84 | 1-123-875-11 | ELECT 10MF 20% 50V | C212 | 1-136-163-00 | FILM 0.068MF 5% 50V |
| | | | C213 | 1-136-161-00 | FILM 0.047MF 5% 50V |

| Ref.No. | Part No. | Description | | | |
|---------|---------------|---|------------|-----|------|
| C214 | 1-130-481-00 | MYLAR | 0.0068MF | 5% | 50V |
| C215 | 1-136-153-00 | FILM | 0.01MF | 5% | 50V |
| C216 | 1-124-902-00 | (RX55,RX55ES)...ELECT | 0.47MF | 20% | 50V |
| C216 | 1-124-252-00 | (RX410).....ELECT | 0.33MF | 20% | 50V |
| C217 | 1-123-875-11 | (RX55,RX55ES)...ELECT | 10MF | 20% | 50V |
| C217 | 1-124-927-11 | (RX410).....ELECT | 4.7MF | 20% | 50V |
| C218 | 1-124-768-11 | ELECT | 4.7MF | 20% | 50V |
| C219 | 1-124-927-11 | ELECT | 4.7MF | 20% | 50V |
| C220 | 1-136-156-00 | FILM | 0.018MF | 5% | 50V |
| C221 | 1-124-927-11 | ELECT | 4.7MF | 20% | 50V |
| C222 | 1-123-875-11 | ELECT | 10MF | 20% | 50V |
| C301 | 1-123-875-11 | ELECT | 10MF | 20% | 50V |
| C302 | 1-123-875-11 | ELECT | 10MF | 20% | 50V |
| C303 | 1-124-925-11 | ELECT | 2.2MF | 20% | 50V |
| C304 | 1-161-494-00 | CERAMIC | 0.022MF | | 25V |
| C305 | 1-124-963-11 | ELECT | 33MF | 20% | 16V |
| C306 | 1-124-499-11 | ELECT | 1MF | 20% | 50V |
| C307 | 1-124-499-11 | (RX55,RX55ES)...ELECT | 1MF | 20% | 50V |
| C501 | 1-126-176-11 | ELECT | 220MF | 20% | 10V |
| C701 | 1-124-887-00 | ELECT | 3300MF | 20% | 16V |
| C702 | 1-124-887-00 | ELECT | 3300MF | 20% | 16V |
| C703 | 1-124-472-11 | ELECT | 470MF | 20% | 10V |
| C704 | 1-124-472-11 | ELECT | 470MF | 20% | 10V |
| C705 | 1-124-472-11 | ELECT | 470MF | 20% | 6.3V |
| C706 | 1-123-875-11 | ELECT | 10MF | 20% | 50V |
| C707 | 1-124-925-11 | ELECT | 2.2MF | 20% | 50V |
| C708 | 1-124-122-11 | (RX55,RX55ES)...ELECT | 100MF | 20% | 50V |
| C709 | 1-124-122-11 | (RX55,RX55ES)...ELECT | 100MF | 20% | 50V |
| C710 | 1-124-120-11 | ELECT | 220MF | 20% | 16V |
| C901 | 1-161-744-00 | CAP, CERAMIC | 10000PF | FZ | |
| CF501 | 1-577-082-11 | VIBRATOR, CERAMIC | (4MHZ) | | |
| CNP11 | *1-506-615-11 | PIN, CONNECTOR | 9P | | |
| CNP12 | *1-564-337-00 | (RX410).....PIN, CONNECTOR | 3P | | |
| CNP12 | *1-564-339-61 | (RX55,RX55ES)...PIN, CONNECTOR | 5P | | |
| CNP13 | *1-564-707-11 | PIN, CONNECTOR (SMALL TYPE) | 5P | | |
| CNP14 | *1-564-704-11 | (RX55,RX55ES)...PIN, CONNECTOR (SMALL TYPE) | 2P | | |
| CNP21 | *1-565-344-11 | PIN, CONNECTOR (PC BOARD) | 8P | | |
| CNP22 | *1-565-347-11 | SOCKET, CONNECTOR (PC BOARD) | 8P | | |
| CNP81 | *1-564-709-11 | PIN, CONNECTOR (SMALL TYPE) | 7P | | |
| CNP82 | *1-564-339-00 | PIN, CONNECTOR | 5P | | |
| CNP83 | *1-564-338-00 | PIN, CONNECTOR | 4P | | |
| CNP505* | 1-564-506-11 | (RX410).....PLUG, CONNECTOR | 3P | | |
| CNP505* | 1-564-510-11 | (RX55,RX55ES)...PLUG, CONNECTOR | 7P | | |
| D11 | 8-719-940-76 | DIODE | 1SS132 | | |
| D81 | 8-719-940-76 | DIODE | 1SS132 | | |
| D101 | 8-719-940-76 | DIODE | 1SS132 | | |
| D201 | 8-719-940-76 | DIODE | 1SS132 | | |
| D301 | 8-719-010-34 | DIODE | UZ-4.7BSC | | |
| D501 | 8-719-301-38 | LED | SEL2210S-C | | |
| D502 | 8-719-301-60 | LED | SEL2910A-C | | |
| D503 | 8-719-301-43 | LED | SEL2410E-C | | |

| Ref.No. | Part No. | Description | | | |
|---------|--------------|---|------------|--|--|
| D504 | 8-719-301-60 | LED | SEL2910A-C | | |
| D505 | 8-719-301-60 | LED | SEL2910A-C | | |
| D506 | 8-719-200-77 | DIODE | 10E2N | | |
| D507 | 8-719-302-52 | (RX55,RX55ES)...LED | SEL1410E | | |
| D507 | 8-719-304-38 | (RX410).....DIODE | SEL4414E-D | | |
| D508 | 8-719-302-52 | (RX55,RX55ES)...LED | SEL1410E | | |
| D508 | 8-719-304-38 | (RX410).....DIODE | SEL4414E-D | | |
| D509 | 8-719-302-52 | (RX55,RX55ES)...LED | SEL1410E | | |
| D509 | 8-719-304-38 | (RX410).....DIODE | SEL4414E-D | | |
| D510 | 8-719-304-38 | (RX410)...DIODE | SEL4414E-D | | |
| D511 | 8-719-304-38 | (RX410)...DIODE | SEL4414E-D | | |
| D512 | 8-719-304-38 | (RX410)...DIODE | SEL4414E-D | | |
| D513 | 8-719-304-38 | (RX410)...DIODE | SEL4414E-D | | |
| D514 | 8-719-304-32 | (RX410)...DIODE | SEL4214S | | |
| D515 | 8-719-304-32 | (RX410)...DIODE | SEL4214S | | |
| D516 | 8-719-304-32 | (RX410)...DIODE | SEL4214S | | |
| D517 | 8-719-304-38 | (RX410)...DIODE | SEL4414E-D | | |
| D518 | 8-719-304-38 | (RX410)...DIODE | SEL4414E-D | | |
| D519 | 8-719-304-38 | (RX410)...DIODE | SEL4414E-D | | |
| D520 | 8-719-304-38 | (RX410)...DIODE | SEL4414E-D | | |
| D521 | 8-719-304-32 | (RX410)...DIODE | SEL4214S | | |
| D522 | 8-719-304-32 | (RX410)...DIODE | SEL4214S | | |
| D523 | 8-719-304-32 | (RX410)...DIODE | SEL4214S | | |
| D524 | 8-719-940-76 | DIODE | 1SS132 | | |
| D525 | 8-719-940-76 | DIODE | 1SS132 | | |
| D526 | 8-719-940-76 | DIODE | 1SS132 | | |
| D527 | 8-719-940-76 | DIODE | 1SS132 | | |
| D528 | 8-719-940-76 | DIODE | 1SS132 | | |
| D529 | 8-719-940-76 | (RX410)...DIODE | 1SS132 | | |
| D530 | 8-719-940-76 | (RX410)...DIODE | 1SS132 | | |
| D531 | 8-719-940-76 | (RX410)...DIODE | 1SS132 | | |
| D532 | 8-719-940-76 | (RX410)...DIODE | 1SS132 | | |
| D533 | 8-719-940-76 | (RX55,RX55ES)...DIODE | 1SS132 | | |
| D534 | 8-719-940-76 | DIODE | 1SS132 | | |
| D535 | 8-719-940-76 | DIODE | 1SS132 | | |
| D701 | 8-719-940-76 | DIODE | 1SS132 | | |
| D702 | 8-719-940-76 | DIODE | 1SS132 | | |
| D703 | 8-719-200-77 | DIODE | 10E2N | | |
| D704 | 8-719-200-77 | DIODE | 10E2N | | |
| D705 | 8-719-200-77 | DIODE | 10E2N | | |
| D706 | 8-719-200-77 | DIODE | 10E2N | | |
| D707 | 8-719-940-76 | DIODE | 1SS132 | | |
| D708 | 8-719-200-77 | (RX55,RX55ES)...DIODE | 10E2N | | |
| D709 | 8-719-000-96 | (RX55,RX55ES)...DIODE | UZL-7H2 | | |
| D710 | 8-719-934-23 | (RX55,RX55ES)...DIODE | HZS30-3L | | |
| D712 | 8-719-210-77 | DIODE | 10E2N | | |
| D713 | 1-807-913-21 | DIODE | 11EQS04 | | |
| D714 | 1-807-913-21 | DIODE | 11EQS04 | | |
| D715 | 1-807-913-21 | (RX55,RX55ES)...DIODE | 11EQS04 | | |
| FL501 | 1-519-493-11 | (RX55,RX55ES)...INDICATOR TUBE, FLUORESCENT | | | |
| IC21 | 8-759-133-90 | IC | UPC339C | | |
| IC81 | 8-759-111-44 | IC | UPC4570C-1 | | |
| IC91 | 8-759-106-56 | IC | UPC1297CA | | |
| IC301 | 8-752-018-70 | IC | CX20187 | | |
| IC302 | 8-759-600-02 | IC | M5218L | | |
| IC303 | 8-759-600-02 | IC | M5218L | | |

| | |
|--|--|
| <p>Note: The components identified by mark Δ or dotted line with mark Δ are critical for safety. Replace only with part number specified.</p> | <p>Note: Les composants identifiés par une marque Δ sont critiques pour la sécurité. Ne les remplacer que par une pièce portant le numéro spécifié.</p> |
|--|--|

SEE ADDITIONAL
SEE INFORMATION

| Ref.No. | Part No. | Description |
|---------|--------------|------------------------------------|
| IC304 | 8-759-945-58 | IC RC4558P |
| IC305 | 8-752-033-61 | IC CXA1198AP |
| IC306 | 8-759-240-52 | IC TC14052BP |
| IC501 | 8-759-633-24 | IC M50940-135SP |
| IC502 | 8-741-161-00 | IC SBX1610-51 |
| IC701 | 8-759-604-29 | IC M5F7805 |
| IC702 | 8-759-604-86 | IC M5F7807 |
| IC703 | 8-759-604-90 | IC M5F7907 |
| J301 | 1-565-258-11 | JACK, PIN 4P (LINE IN/OUT) |
| J302 | 1-507-796-71 | JACK (MICROPHONE) |
| J303 | 1-507-797-21 | JACK, LARGE TYPE (HEADPHONES) |
| L41 | 1-410-780-11 | INDUCTOR 27MMH |
| L61 | 1-410-780-11 | INDUCTOR 27MMH |
| LPF101 | 1-236-475-11 | FILTER, LOW PASS |
| LPF201 | 1-236-475-11 | FILTER, LOW PASS |
| PM901 | 1-454-456-11 | SOLENOID, PLUNGER |
| Q11 | 8-729-173-38 | TRANSISTOR 2SA733 |
| Q12 | 8-719-939-23 | PHOTO TRANSISTOR GP2S09-C |
| Q21 | 8-729-806-20 | TRANSISTOR 2SA1345 |
| Q81 | 8-729-801-83 | TRANSISTOR 2SB1013 |
| Q82 | 8-729-101-93 | (RX410).....TRANSISTOR 2SC945L |
| Q82 | 8-729-119-78 | (RX55,RX55ES)...TRANSISTOR 2SC2785 |
| Q83 | 8-729-101-93 | (RX410).....TRANSISTOR 2SC945L |
| Q83 | 8-729-119-78 | (RX55,RX55ES)...TRANSISTOR 2SC2785 |
| Q101 | 8-729-119-78 | (RX55,RX55ES)...TRANSISTOR 2SC2785 |
| Q102 | 8-729-119-78 | (RX410)...TRANSISTOR 2SC2785 |
| Q103 | 8-729-119-78 | TRANSISTOR 2SC2785 |
| Q104 | 8-729-900-80 | TRANSISTOR DTC114ES |
| Q105 | 8-729-900-80 | TRANSISTOR DTC114ES |
| Q201 | 8-729-119-78 | (RX55,RX55ES)...TRANSISTOR 2SC2785 |
| Q202 | 8-729-119-78 | TRANSISTOR 2SC2785 |
| Q203 | 8-729-119-78 | TRANSISTOR 2SC2785 |
| Q204 | 8-729-900-80 | TRANSISTOR DTC114ES |
| Q205 | 8-729-900-80 | TRANSISTOR DTC114ES |
| Q301 | 8-729-900-61 | TRANSISTOR DTA114ES |
| Q302 | 8-729-900-61 | TRANSISTOR DTA114ES |
| Q303 | 8-729-900-61 | TRANSISTOR DTA114ES |
| Q304 | 8-729-900-61 | TRANSISTOR DTA114ES |
| Q305 | 8-729-900-61 | TRANSISTOR DTA114ES |
| Q306 | 8-729-801-93 | TRANSISTOR 2SD1387 |
| Q307 | 8-729-900-65 | TRANSISTOR DTA144ES |
| Q308 | 8-729-900-65 | TRANSISTOR DTA144ES |
| Q309 | 8-729-173-38 | TRANSISTOR 2SA733 |
| Q501 | 8-729-900-61 | TRANSISTOR DTA114ES |
| Q502 | 8-729-900-61 | TRANSISTOR DTA114ES |
| Q503 | 8-729-900-61 | TRANSISTOR DTA114ES |
| Q504 | 8-729-900-61 | TRANSISTOR DTA114ES |
| Q505 | 8-729-900-61 | TRANSISTOR DTA114ES |
| Q506 | 8-729-900-63 | TRANSISTOR DTA124ES |
| Q507 | 8-729-900-61 | TRANSISTOR DTA114ES |
| Q508 | 8-729-801-93 | TRANSISTOR 2SD1387 |
| Q509 | 8-729-801-83 | TRANSISTOR 2SB1013 |
| Q510 | 8-729-900-80 | TRANSISTOR DTC114ES |
| Q511 | 8-729-900-80 | TRANSISTOR DTC114ES |
| Q512 | 8-729-900-80 | TRANSISTOR DTC114ES |
| Q701 | 8-729-118-01 | (RX55,RX55ES)...TRANSISTOR 2SB1116 |

| Ref.No. | Part No. | Description | | | |
|---------|--------------|------------------------|------|----|--------|
| R11 | 1-247-834-11 | CARBON | 1.3K | 5% | 1/4W |
| R12 | 1-249-414-11 | CARBON | 560 | 5% | 1/4W |
| R13 | 1-247-818-11 | CARBON | 300 | 5% | 1/4W |
| R14 | 1-249-408-11 | CARBON | 180 | 5% | 1/4W |
| R17 | 1-249-437-11 | CARBON | 47K | 5% | 1/4W |
| R18 | 1-249-437-11 | CARBON | 47K | 5% | 1/4W |
| R21 | 1-249-425-11 | CARBON | 4.7K | 5% | 1/4W |
| R22 | 1-249-421-11 | CARBON | 2.2K | 5% | 1/4W |
| R23 | 1-249-421-11 | CARBON | 2.2K | 5% | 1/4W |
| R24 | 1-249-423-11 | CARBON | 3.3K | 5% | 1/4W |
| R25 | 1-249-429-11 | CARBON | 10K | 5% | 1/4W |
| R26 | 1-249-430-11 | (RX410).....CARBON | 12K | 5% | 1/4W |
| R26 | 1-249-431-11 | (RX55,RX55ES)...CARBON | 15K | 5% | 1/4W |
| R27 | 1-247-838-00 | (RX410).....CARBON | 2K | 5% | 1/4W |
| R27 | 1-249-425-11 | (RX55,RX55ES)...CARBON | 4.7K | 5% | 1/4W |
| R28 | 1-249-419-11 | (RX410).....CARBON | 1.5K | 5% | 1/4W |
| R28 | 1-249-425-11 | (RX55,RX55ES)...CARBON | 4.7K | 5% | 1/4W |
| R29 | 1-249-420-11 | (RX55,RX55ES)...CARBON | 1.8K | 5% | 1/4W |
| R41 | 1-247-881-00 | (RX410).....CARBON | 120K | 5% | 1/4W |
| R41 | 1-249-435-11 | (RX55,RX55ES)...CARBON | 33K | 5% | 1/4W |
| R42 | 1-249-404-00 | (RX55,RX55ES)...CARBON | 82 | 5% | 1/4W |
| R42 | 1-249-405-11 | (RX410).....CARBON | 100 | 5% | 1/4W |
| R43 | 1-247-882-11 | CARBON | 130K | 5% | 1/4W |
| R44 | 1-249-426-11 | CARBON | 5.6K | 5% | 1/4W |
| R45 | 1-249-428-11 | (RX55,RX55ES)...CARBON | 8.2K | 5% | 1/4W |
| R45 | 1-249-430-11 | (RX410).....CARBON | 12K | 5% | 1/4W |
| R51 | 1-249-434-11 | (RX410).....CARBON | 27K | 5% | 1/4W |
| R51 | 1-249-435-11 | (RX55,RX55ES)...CARBON | 33K | 5% | 1/4W |
| R52 | 1-249-393-11 | CARBON | 10 | 5% | 1/4W |
| R53 | 1-247-883-00 | CARBON | 150K | 5% | 1/4W |
| R54 | 1-249-429-11 | (RX55,RX55ES)...CARBON | 10K | 5% | 1/4W |
| R54 | 1-249-433-11 | (RX410).....CARBON | 22K | 5% | 1/4W |
| R61 | 1-247-881-00 | (RX410).....CARBON | 120K | 5% | 1/4W |
| R61 | 1-249-435-11 | (RX55,RX55ES)...CARBON | 33K | 5% | 1/4W |
| R62 | 1-249-404-00 | (RX55,RX55ES)...CARBON | 82 | 5% | 1/4W |
| R62 | 1-249-405-11 | (RX410).....CARBON | 100 | 5% | 1/4W |
| R63 | 1-247-882-11 | CARBON | 130K | 5% | 1/4W |
| R64 | 1-249-426-11 | CARBON | 5.6K | 5% | 1/4W |
| R65 | 1-249-428-11 | (RX55,RX55ES)...CARBON | 8.2K | 5% | 1/4W |
| R65 | 1-249-430-11 | (RX410).....CARBON | 12K | 5% | 1/4W |
| R71 | 1-249-434-11 | (RX410).....CARBON | 27K | 5% | 1/4W |
| R71 | 1-249-435-11 | (RX55,RX55ES)...CARBON | 33K | 5% | 1/4W |
| R72 | 1-249-393-11 | CARBON | 10 | 5% | 1/4W |
| R73 | 1-247-883-00 | CARBON | 150K | 5% | 1/4W |
| R74 | 1-249-429-11 | (RX55,RX55ES)...CARBON | 10K | 5% | 1/4W |
| R74 | 1-249-433-11 | (RX410).....CARBON | 22K | 5% | 1/4W |
| R81 | 1-249-409-11 | CARBON | 220 | 5% | 1/4W |
| R82 | 1-249-409-11 | CARBON | 220 | 5% | 1/4W |
| R84 | 1-212-849-00 | FUSIBLE | 4.7 | 5% | 1/4W F |
| R85 | 1-249-437-11 | CARBON | 47K | 5% | 1/4W |
| R86 | 1-249-437-11 | CARBON | 47K | 5% | 1/4W |
| R87 | 1-249-429-11 | CARBON | 10K | 5% | 1/4W |

TC-RX55/RX55ES/RX410

| Ref.No. | Part No. | Description | | | | |
|---------|--------------|------------------------|------|----|------|--|
| R88 | 1-249-429-11 | CARBON | 10K | 5% | 1/4W | |
| R101 | 1-249-417-11 | CARBON | 1K | 5% | 1/4W | |
| R102 | 1-249-435-11 | CARBON | 33K | 5% | 1/4W | |
| R103 | 1-249-429-11 | CARBON | 10K | 5% | 1/4W | |
| R104 | 1-249-411-11 | CARBON | 330 | 5% | 1/4W | |
| R105 | 1-249-434-11 | CARBON | 27K | 5% | 1/4W | |
| R106 | 1-249-437-11 | CARBON | 47K | 5% | 1/4W | |
| R107 | 1-249-429-11 | (RX55,RX55ES)...CARBON | 10K | 5% | 1/4W | |
| R108 | 1-249-417-11 | CARBON | 1K | 5% | 1/4W | |
| R109 | 1-249-441-11 | (RX55,RX55ES)...CARBON | 100K | 5% | 1/4W | |
| R110 | 1-249-423-11 | CARBON | 3.3K | 5% | 1/4W | |
| R111 | 1-249-428-11 | CARBON | 8.2K | 5% | 1/4W | |
| R112 | 1-247-840-00 | CARBON | 2.4K | 5% | 1/4W | |
| R113 | 1-247-846-11 | CARBON | 4.3K | 5% | 1/4W | |
| R114 | 1-247-822-11 | CARBON | 430 | 5% | 1/4W | |
| R115 | 1-249-427-11 | CARBON | 6.8K | 5% | 1/4W | |
| R116 | 1-249-415-11 | CARBON | 680 | 5% | 1/4W | |
| R117 | 1-249-426-11 | (RX410).....CARBON | 5.6K | 5% | 1/4W | |
| R117 | 1-249-427-11 | (RX55,RX55ES)...CARBON | 6.8K | 5% | 1/4W | |
| R118 | 1-249-421-11 | (RX410).....CARBON | 2.2K | 5% | 1/4W | |
| R118 | 1-249-425-11 | (RX55,RX55ES)...CARBON | 4.7K | 5% | 1/4W | |
| R119 | 1-249-425-11 | (RX410).....CARBON | 4.7K | 5% | 1/4W | |
| R119 | 1-249-429-11 | (RX55,RX55ES)...CARBON | 10K | 5% | 1/4W | |
| R120 | 1-249-433-11 | CARBON | 22K | 5% | 1/4W | |
| R121 | 1-249-421-11 | CARBON | 2.2K | 5% | 1/4W | |
| R122 | 1-249-421-11 | CARBON | 2.2K | 5% | 1/4W | |
| R123 | 1-249-421-11 | CARBON | 2.2K | 5% | 1/4W | |
| R124 | 1-249-429-11 | CARBON | 10K | 5% | 1/4W | |
| R125 | 1-247-840-00 | CARBON | 2.4K | 5% | 1/4W | |
| R126 | 1-249-409-11 | CARBON | 220 | 5% | 1/4W | |
| R127 | 1-249-434-11 | CARBON | 27K | 5% | 1/4W | |
| R128 | 1-249-434-11 | CARBON | 27K | 5% | 1/4W | |
| R129 | 1-247-862-11 | CARBON | 20K | 5% | 1/4W | |
| R130 | 1-249-397-11 | CARBON | 22 | 5% | 1/4W | |
| R131 | 1-249-424-11 | CARBON | 3.9K | 5% | 1/4W | |
| R132 | 1-247-887-00 | CARBON | 220K | 5% | 1/4W | |
| R133 | 1-249-424-11 | CARBON | 3.9K | 5% | 1/4W | |
| R134 | 1-249-412-11 | CARBON | 390 | 5% | 1/4W | |
| R135 | 1-247-840-00 | CARBON | 2.4K | 5% | 1/4W | |
| R136 | 1-249-441-11 | CARBON | 100K | 5% | 1/4W | |
| R137 | 1-249-425-11 | (RX55,RX55ES)...CARBON | 4.7K | 5% | 1/4W | |
| R137 | 1-249-429-11 | (RX410).....CARBON | 10K | 5% | 1/4W | |
| R138 | 1-249-431-11 | CARBON | 15K | 5% | 1/4W | |
| R201 | 1-249-417-11 | CARBON | 1K | 5% | 1/4W | |
| R202 | 1-249-435-11 | CARBON | 33K | 5% | 1/4W | |
| R203 | 1-249-429-11 | CARBON | 10K | 5% | 1/4W | |
| R204 | 1-249-411-11 | CARBON | 330 | 5% | 1/4W | |
| R205 | 1-249-434-11 | CARBON | 27K | 5% | 1/4W | |
| R206 | 1-249-437-11 | CARBON | 47K | 5% | 1/4W | |
| R207 | 1-249-429-11 | (RX55,RX55ES)...CARBON | 10K | 5% | 1/4W | |
| R208 | 1-249-417-11 | CARBON | 1K | 5% | 1/4W | |
| R209 | 1-249-441-11 | (RX55,RX55ES)...CARBON | 100K | 5% | 1/4W | |
| R210 | 1-249-423-11 | CARBON | 3.3K | 5% | 1/4W | |
| R211 | 1-249-428-11 | CARBON | 8.2K | 5% | 1/4W | |
| R212 | 1-247-840-00 | CARBON | 2.4K | 5% | 1/4W | |
| R213 | 1-247-846-11 | CARBON | 4.3K | 5% | 1/4W | |
| R214 | 1-247-822-11 | CARBON | 430 | 5% | 1/4W | |

| Ref.No. | Part No. | Description | | | | |
|---------|--------------|------------------------|------|----|------|--|
| R215 | 1-249-427-11 | CARBON | 6.8K | 5% | 1/4W | |
| R216 | 1-249-415-11 | CARBON | 680 | 5% | 1/4W | |
| R217 | 1-249-426-11 | (RX410).....CARBON | 5.6K | 5% | 1/4W | |
| R217 | 1-249-427-11 | (RX55,RX55ES)...CARBON | 6.8K | 5% | 1/4W | |
| R218 | 1-249-421-11 | (RX410).....CARBON | 2.2K | 5% | 1/4W | |
| R218 | 1-249-425-11 | (RX55,RX55ES)...CARBON | 4.7K | 5% | 1/4W | |
| R219 | 1-249-425-11 | (RX410).....CARBON | 4.7K | 5% | 1/4W | |
| R219 | 1-249-429-11 | (RX55,RX55ES)...CARBON | 10K | 5% | 1/4W | |
| R220 | 1-249-433-11 | CARBON | 22K | 5% | 1/4W | |
| R221 | 1-249-421-11 | CARBON | 2.2K | 5% | 1/4W | |
| R222 | 1-249-421-11 | CARBON | 2.2K | 5% | 1/4W | |
| R223 | 1-249-421-11 | CARBON | 2.2K | 5% | 1/4W | |
| R224 | 1-249-429-11 | CARBON | 10K | 5% | 1/4W | |
| R225 | 1-247-840-00 | CARBON | 2.4K | 5% | 1/4W | |
| R226 | 1-249-409-11 | CARBON | 220 | 5% | 1/4W | |
| R227 | 1-249-434-11 | CARBON | 27K | 5% | 1/4W | |
| R228 | 1-249-434-11 | CARBON | 27K | 5% | 1/4W | |
| R229 | 1-247-862-11 | CARBON | 20K | 5% | 1/4W | |
| R230 | 1-249-397-11 | CARBON | 22 | 5% | 1/4W | |
| R231 | 1-249-424-11 | CARBON | 3.9K | 5% | 1/4W | |
| R232 | 1-247-887-00 | CARBON | 220K | 5% | 1/4W | |
| R233 | 1-249-424-11 | CARBON | 3.9K | 5% | 1/4W | |
| R234 | 1-249-412-11 | CARBON | 390 | 5% | 1/4W | |
| R235 | 1-247-840-00 | CARBON | 2.4K | 5% | 1/4W | |
| R236 | 1-249-441-11 | CARBON | 100K | 5% | 1/4W | |
| R237 | 1-249-425-11 | (RX55,RX55ES)...CARBON | 4.7K | 5% | 1/4W | |
| R237 | 1-249-429-11 | (RX410).....CARBON | 10K | 5% | 1/4W | |
| R238 | 1-249-431-11 | CARBON | 15K | 5% | 1/4W | |
| R301 | 1-249-413-11 | CARBON | 470 | 5% | 1/4W | |
| R302 | 1-249-413-11 | CARBON | 470 | 5% | 1/4W | |
| R303 | 1-249-435-11 | CARBON | 33K | 5% | 1/4W | |
| R304 | 1-215-469-00 | METAL | 100K | 1% | 1/6W | |
| R305 | 1-249-429-11 | (RX55,RX55ES)...CARBON | 10K | 5% | 1/4W | |
| R306 | 1-249-435-11 | CARBON | 33K | 5% | 1/4W | |
| R307 | 1-249-429-11 | CARBON | 10K | 5% | 1/4W | |
| R308 | 1-247-864-11 | CARBON | 24K | 5% | 1/4W | |
| R309 | 1-247-881-00 | (RX55,RX55ES)...CARBON | 120K | 5% | 1/4W | |
| R309 | 1-249-438-11 | (RX410).....CARBON | 56K | 5% | 1/4W | |
| R310 | 1-249-437-11 | (RX55,RX55ES)...CARBON | 47K | 5% | 1/4W | |
| R310 | 1-249-440-11 | (RX410).....CARBON | 82K | 5% | 1/4W | |
| R311 | 1-247-882-11 | (RX410).....CARBON | 130K | 5% | 1/4W | |
| R311 | 1-247-883-00 | (RX55,RX55ES)...CARBON | 150K | 5% | 1/4W | |
| R312 | 1-249-438-11 | (RX410).....CARBON | 56K | 5% | 1/4W | |
| R312 | 1-249-440-11 | (RX55,RX55ES)...CARBON | 82K | 5% | 1/4W | |
| R313 | 1-249-435-11 | (RX410).....CARBON | 33K | 5% | 1/4W | |
| R313 | 1-249-436-11 | (RX55,RX55ES)...CARBON | 39K | 5% | 1/4W | |
| R314 | 1-247-870-11 | (RX410).....CARBON | 43K | 5% | 1/4W | |
| R314 | 1-249-435-11 | (RX55,RX55ES)...CARBON | 33K | 5% | 1/4W | |
| R315 | 1-247-883-00 | (RX410).....CARBON | 150K | 5% | 1/4W | |
| R315 | 1-247-891-00 | (RX55,RX55ES)...CARBON | 330K | 5% | 1/4W | |
| R316 | 1-247-878-00 | (RX410).....CARBON | 91K | 5% | 1/4W | |
| R316 | 1-249-438-11 | (RX55,RX55ES)...CARBON | 56K | 5% | 1/4W | |
| R317 | 1-247-881-00 | CARBON | 120K | 5% | 1/4W | |

SEE PARTIAL

| Ref.No. | Part No. | Description |
|---------|--------------|-------------------------------------|
| R318 | 1-247-874-11 | (RX410).....CARBON 62K 5% 1/4W |
| R318 | 1-249-441-11 | (RX55,RX55ES)...CARBON 100K 5% 1/4W |
| R319 | 1-249-437-11 | CARBON 47K 5% 1/4W |
| R320 | 1-247-874-11 | (RX55,RX55ES)...CARBON 62K 5% 1/4W |
| R320 | 1-249-440-11 | (RX410).....CARBON 82K 5% 1/4W |
| R321 | 1-247-887-00 | (RX410).....CARBON 220K 5% 1/4W |
| R321 | 1-249-435-11 | (RX55,RX55ES)...CARBON 33K 5% 1/4W |
| R322 | 1-247-881-00 | (RX410).....CARBON 120K 5% 1/4W |
| R322 | 1-249-441-11 | (RX55,RX55ES)...CARBON 100K 5% 1/4W |
| R323 | 1-249-438-11 | (RX55,RX55ES)...CARBON 56K 5% 1/4W |
| R323 | 1-249-440-11 | (RX410).....CARBON 82K 5% 1/4W |
| R324 | 1-249-434-11 | CARBON 27K 5% 1/4W |
| R325 | 1-247-872-11 | (RX55,RX55ES)...CARBON 51K 5% 1/4W |
| R325 | 1-249-438-11 | (RX410).....CARBON 56K 5% 1/4W |
| R326 | 1-249-429-11 | CARBON 10K 5% 1/4W |
| R327 | 1-249-437-11 | CARBON 47K 5% 1/4W |
| R328 | 1-249-417-11 | CARBON 1K 5% 1/4W |
| R329 | 1-249-413-11 | CARBON 470 5% 1/4W |
| R330 | 1-249-417-11 | CARBON 1K 5% 1/4W |
| R331 | 1-249-425-11 | CARBON 4.7K 5% 1/4W |
| R332 | 1-249-429-11 | CARBON 10K 5% 1/4W |
| R333 | 1-249-419-11 | CARBON 1.5K 5% 1/4W |
| R334 | 1-249-425-11 | CARBON 4.7K 5% 1/4W |
| R335 | 1-249-437-11 | CARBON 47K 5% 1/4W |
| R336 | 1-249-428-11 | CARBON 8.2K 5% 1/4W |
| R337 | 1-249-423-11 | CARBON 3.3K 5% 1/4W |
| R338 | 1-247-840-00 | CARBON 2.4K 5% 1/4W |
| R339 | 1-247-876-11 | (RX410).....CARBON 75K 5% 1/4W |
| R339 | 1-249-439-11 | (RX55,RX55ES)...CARBON 68K 5% 1/4W |
| R340 | 1-249-417-11 | CARBON 1K 5% 1/4W |
| R341 | 1-249-413-11 | CARBON 470 5% 1/4W |
| R501 | 1-249-409-11 | CARBON 220 5% 1/4W |
| R502 | 1-249-412-11 | CARBON 390 5% 1/4W |
| R503 | 1-249-420-11 | CARBON 1.8K 5% 1/4W |
| R504 | 1-249-422-11 | CARBON 2.7K 5% 1/4W |
| R505 | 1-249-428-11 | CARBON 8.2K 5% 1/4W |
| R506 | 1-249-409-11 | CARBON 220 5% 1/4W |
| R507 | 1-249-412-11 | CARBON 390 5% 1/4W |
| R508 | 1-249-415-11 | CARBON 680 5% 1/4W |
| R509 | 1-249-418-11 | CARBON 1.2K 5% 1/4W |
| R510 | 1-249-422-11 | CARBON 2.7K 5% 1/4W |
| R511 | 1-249-428-11 | (RX55,RX55ES)...CARBON 8.2K 5% 1/4W |
| R512 | 1-249-417-11 | CARBON 1K 5% 1/4W |
| R514 | 1-249-436-11 | CARBON 39K 5% 1/4W |
| R513 | 1-249-425-11 | CARBON(RX55,RX55ES)...4.7K 5% 1/4W |
| R515 | 1-249-436-11 | CARBON 39K 5% 1/4W |
| R516 | 1-247-895-00 | CARBON 470K 5% 1/4W |
| R517 | 1-247-895-00 | CARBON 470K 5% 1/4W |
| R518 | 1-249-437-11 | CARBON 47K 5% 1/4W |
| R519 | 1-249-412-11 | CARBON 390 5% 1/4W |
| R520 | 1-249-410-11 | CARBON 270 5% 1/4W |
| R521 | 1-249-409-11 | CARBON 220 5% 1/4W |
| R522 | 1-249-411-11 | CARBON 330 5% 1/4W |
| R523 | 1-249-411-11 | CARBON 330 5% 1/4W |
| R524 | 1-249-437-11 | CARBON 47K 5% 1/4W |
| R525 | 1-247-903-00 | CARBON 1M 5% 1/4W |
| R526 | 1-249-417-11 | CARBON 1K 5% 1/4W |



| Ref.No. | Part No. | Description |
|---------|--------------|--|
| R527 | 1-249-433-11 | CARBON 22K 5% 1/4W |
| R528 | 1-247-727-11 | CARBON 10 5% 1/2W |
| R529 | 1-249-420-11 | CARBON 1.8K 5% 1/4W |
| R530 | 1-249-433-11 | CARBON 22K 5% 1/4W |
| R531 | 1-249-415-11 | (RX410)...CARBON 680 5% 1/4W |
| R532 | 1-249-442-11 | (RX410)...CARBON 510 5% 1/4W |
| R533 | 1-249-411-11 | (RX410)...CARBON 330 5% 1/4W |
| R534 | 1-247-814-11 | (RX410)...CARBON 200 5% 1/4W |
| R535 | 1-249-415-11 | (RX410)...CARBON 680 5% 1/4W |
| R536 | 1-249-442-11 | (RX410)...CARBON 510 5% 1/4W |
| R537 | 1-249-411-11 | (RX410)...CARBON 330 5% 1/4W |
| R538 | 1-247-832-11 | (RX410)...CARBON 1.1K 5% 1/4W |
| R539 | 1-247-830-11 | (RX410)...CARBON 910 5% 1/4W |
| R540 | 1-247-826-00 | (RX410)...CARBON 620 5% 1/4W |
| R541 | 1-247-832-11 | (RX410)...CARBON 1.1K 5% 1/4W |
| R542 | 1-247-830-11 | (RX410)...CARBON 910 5% 1/4W |
| R543 | 1-247-826-00 | (RX410)...CARBON 620 5% 1/4W |
| R544 | 1-249-409-11 | CARBON 220 5% 1/4W |
| R545 | 1-249-409-11 | CARBON 220 5% 1/4W |
| R546 | 1-249-409-11 | CARBON 220 5% 1/4W |
| R547 | 1-249-421-11 | CARBON 2.2K 5% 1/4W |
| R548 | 1-249-421-11 | CARBON 2.2K 5% 1/4W |
| R701 | 1-249-403-11 | CARBON 68 5% 1/4W |
| R702 | 1-249-403-11 | CARBON 68 5% 1/4W |
| R703 | 1-249-417-11 | CARBON 1K 5% 1/4W |
| R704 | 1-249-441-11 | CARBON 100K 5% 1/4W |
| R705 | 1-249-433-11 | (RX55,RX55ES)...CARBON 62K 5% 1/4W |
| RV41 | 1-228-990-00 | RES, ADJ, CARBON 1K |
| RV42 | 1-230-497-11 | RES, ADJ, CARBON 22K |
| RV61 | 1-228-990-00 | RES, ADJ, CARBON 1K |
| RV62 | 1-230-497-11 | RES, ADJ, CARBON 22K |
| RV101 | 1-228-994-00 | RES, ADJ, CARBON 10K |
| RV201 | 1-228-994-00 | RES, ADJ, CARBON 10K |
| RV301 | 1-238-097-11 | RES, VAR, CARBON 20K/20K(REC LEVEL) |
| RY81 | 1-515-614-11 | RELAY |
| S11 | 1-571-281-21 | SWITCH, LEAF (HALF DET) |
| S12 | 1-571-281-21 | SWITCH, LEAF (REC PROOF (A)) |
| S13 | 1-571-281-21 | SWITCH, LEAF (REC PROOF (B)) |
| S14 | 1-571-281-21 | SWITCH, LEAF (CrO2) |
| S15 | 1-571-281-21 | SWITCH, LEAF (METAL) |
| S501 | 1-554-303-21 | SWITCH, KEY BOARD (■) |
| S502 | 1-554-303-21 | SWITCH, KEY BOARD (▨) |
| S503 | 1-554-303-21 | SWITCH, KEY BOARD (▶) |
| S504 | 1-554-303-21 | SWITCH, KEY BOARD (◀) |
| S505 | 1-554-303-21 | SWITCH, KEY BOARD (●) |
| S506 | 1-554-303-21 | SWITCH, KEY BOARD (◀◀) |
| S507 | 1-554-303-21 | SWITCH, KEY BOARD (▶▶) |
| S508 | 1-554-303-21 | SWITCH, KEY BOARD (○) |
| S509 | 1-554-303-21 | (RX55,RX55ES)...SWITCH, KEY BOARD (COUNTER RESET) |
| S510 | 1-554-303-21 | (RX55,RX55ES)...SWITCH, KEY BOARD (COUNTER MEMORY) |
| S511 | 1-571-305-11 | SWITCH, PUSH (1 KEY)(DIRECTION MODE) |
| S512 | 1-571-305-11 | (RX55,RX55ES)...SWITCH, PUSH (1 KEY) (MPX FILTER) |
| S513 | 1-571-305-11 | SWITCH, PUSH (1 KEY)(DOLBY B/C) |

| Ref.No. | Part No. | Description |
|---------|----------------|--|
| S514 | 1-571-305-11 | SWITCH, PUSH (1 KEY)(DOLBY NR) |
| S515 | 1-554-423-00 | (RX55,RX55ES)...SWITCH, SLIDE (TIMER) |
| S901 | △.1-553-318-71 | SWITCH, PUSH (AC POWER)(1 KEY) |
| S902 | 1-571-028-11 | (RX55,RX55ES)...SWITCH, LEAF (DIRECTION) |
| SPK101 | 1-235-186-00 | ENCAPSULATED COMPONENT |
| SPK201 | 1-235-186-00 | ENCAPSULATED COMPONENT |
| T51 | 1-433-335-11 | TRANSFORMER, BIAS OSCILLATION |
| T71 | 1-433-335-11 | TRANSFORMER, BIAS OSCILLATION |
| T81 | 1-433-336-11 | TRANSFORMER, BIAS OSCILLATION |
| T901 | △.1-449-596-11 | (RX55ES,RX55:Canadian/E2) ...TRANSFORMER, POWER |
| T901 | △.1-449-597-11 | (RX55: AEP/UK/E3)...TRANSFORMER, POWER |
| T901 | △.1-449-598-11 | (RX410).....TRANSFORMER, POWER |
| TP83 | *1-564-338-00 | PIN, CONNECTOR 4P |
| TP91 | *1-564-508-11 | PLUG, CONNECTOR 5P |


ACCESSORY & PACKING MATERIAL

| | |
|---------------|---|
| 1-559-533-11 | CORD, CONNECTION |
| *3-332-556-01 | (RX55ES)...INDIVIDUAL CARTON |
| *3-332-556-51 | (RX55).....INDIVIDUAL CARTON |
| *3-332-556-71 | (RX410)....INDIVIDUAL CARTON |
| *3-349-005-01 | CUSHION |
| *3-701-630-00 | BAG, POLYETHYLENE |
| 3-703-450-01 | (US)...INSTRUCTION |
| 3-750-181-21 | (RX410).....MANUAL, INSTRUCTION (English) |
| 3-750-181-31 | (RX410:Canadian)...MANUAL, INSTRUCTION (French) |
| 3-750-118-11 | (RX55:Canadian/AE1/AE2/E2/E3)MANUAL, INSTRUCTION(English,French,Spanish) |
| 3-750-118-21 | (RX55ES).....MANUAL, INSTRUCTION(English) |
| 3-750-118-41 | (RX55: AE1/AE2/E3).....MANUAL, INSTRUCTION(German,Dutch,Swedish,Italian) |
| 3-750-118-51 | (RX55:West Germany)...MANUAL, INSTRUCTION (German) |
| 3-750-118-61 | (RX55:UK).....MANUAL, INSTRUCTION(English) |

Note:

The components identified by mark  or dotted line with mark  are critical for safety. Replace only with part number specified.

Note:

Les composants identifiés par une marque  sont critiques pour la sécurité. Ne les remplacer que par une pièce portant le numéro spécifié.

TC-RX55/RX55ES/RX410

SONY[®] SERVICE MANUAL

US Model
TC-RX55ES/RX410

Canadian Model
TC-RX55/RX410

AEP Model

UK Model

E Model

TC-RX55

SUPPLEMENT-1

Subject: Adjustment Item Addition

Bias Consumption Current Adjustment

Note: Perform this adjustment before Record Bias Adjustment only when replacing head, IC91, or step-up transformers (T51, T71).

Adjustment Location: HX PRO board

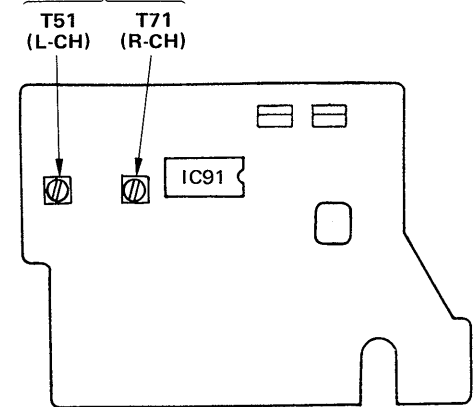
Setting:

REC LEVEL control: standard record
(See service manual page 4.)

Procedure:

1. Set RV42 and RV62 to mechanical center.
2. Set blank tape (CS-412) and record on no-signal conditions.
3. Adjust T51 (L-CH), T71 (R-CH) so that the voltage between pin ③ - ⑤ (L-CH), pin ③ - ① (R-CH) of TP91 is minimum.
4. Perform Record Bias Adjustment and Record Level Adjustment.

Bias consumption current adjustment



Schematic diagram and electrical parts list have been changed because of resistors value change.

| Ref. No. | Former | | New | |
|----------|--------------|---------------------------------|--------------|--|
| | Part No. | Description | Part No. | Description |
| R26 | 1-249-430-11 | (RX410) ... CARBON 12K 5% 1/4W | 1-249-433-11 | (RX410) ... CARBON 22K 5% 1/4W |
| R27 | 1-247-838-00 | (RX410) ... CARBON 2K 5% 1/4W | 1-249-429-11 | (RX410) ... CARBON 10K 5% 1/4W |
| R28 | 1-249-419-11 | (RX410) ... CARBON 1.5K 5% 1/4W | 1-249-428-11 | (RX410) ... CARBON 8.2K 5% 1/4W |
| R53 | 1-247-883-00 | CARBON 150K 5% 1/4W | 1-247-883-00 | (RX55, RX55ES) ... CARBON 150K 5% 1/4W |
| | | | 1-247-887-11 | (RX410) ... CARBON 220K 5% 1/4W |
| R54 | 1-249-433-11 | (RX410) ... CARBON 22K 5% 1/4W | 1-247-862-11 | (RX410) ... CARBON 20K 5% 1/4W |
| R73 | 1-247-883-00 | CARBON 150K 5% 1/4W | 1-247-883-00 | (RX55, RX55ES) ... CARBON 150K 5% 1/4W |
| | | | 1-247-887-11 | (RX410) ... CARBON 220K 5% 1/4W |
| R74 | 1-249-433-11 | (RX410) ... CARBON 22K 5% 1/4W | 1-247-862-11 | (RX410) ... CARBON 20K 5% 1/4W |
| R318 | 1-247-874-11 | (RX410) ... CARBON 62K 5% 1/4W | 1-247-872-11 | (RX410) ... CARBON 51K 5% 1/4W |
| R319 | 1-249-437-11 | CARBON 47K 5% 1/4W | 1-247-872-11 | (RX410) ... CARBON 51K 5% 1/4W |
| | | | 1-249-437-11 | (RX55, RX55ES) ... CARBON 47K 5% 1/4W |
| R320 | 1-249-440-11 | (RX410) ... CARBON 82K 5% 1/4W | 1-247-876-11 | (RX410) ... CARBON 75K 5% 1/4W |

CORRECTION



 : corrected portion

Service Manual Page 1: SPECIFICATIONS

Frequency response

DOLBY NR OFF

TC-RX55/RX55ES:

- With TYPE IV cassette (Sony METAL-ES)
 - 20–20,000 Hz (± 3 dB) (TC-RX55ES) 
 - 30–18,000 Hz (± 3 dB) (TC-RX55) 
 - 30–15,000 Hz (± 3 dB, OVU recording)
- With TYPE II cassette (Sony UX-S)
 - 30–17,000 Hz (± 3 dB)
- With TYPE I cassette (Sony HF-S)
 - 30–15,000 Hz (± 3 dB)

Service Manual Page 14:

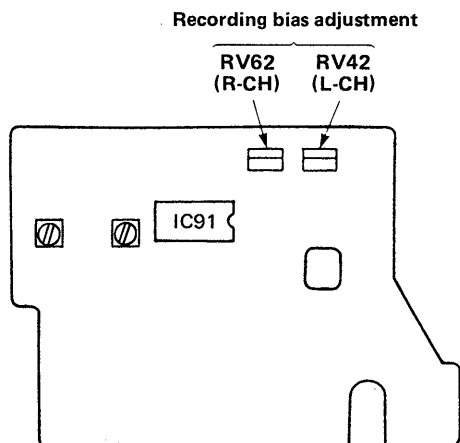
Schematic diagram's note addition

- Value of resistors and capacitors.
no mark: TC-RX55/RX55ES
(): TC-RX410

Service Manual Page 6: Adjustment Location

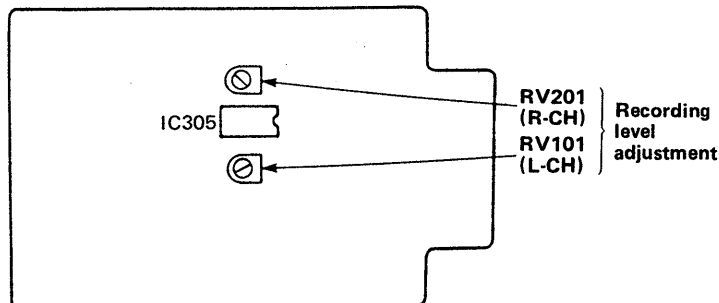
Record Bias Adjustment

HX PRO board



Record Level Adjustment

MAIN board



Note: Blank tape used in Record Bias Adjustment and Record Level Adjustment has been changed from CS-17 to CS-122.
New type and old type blank tapes are shown in the following list.

Blank Tape

| Type | Old type tape | New type tape | New type tape part No. |
|---------|---------------|---------------|------------------------|
| TYPE I | CS-17 | CS-122 | 8-892-331-56 |
| TYPE II | CS-26 | CS-222 | 8-892-331-55 |
| TYPE IV | CS-42 | CS-412 | 8-892-324-39 |

Service Manual Page 24: ACCESSORY & PACKING MATERIAL

| INCORRECT | | CORRECT | |
|---------------|--------------------------------------|---------------|--------------------------------------|
| *3-332-556-01 | (RX55ES) INDIVIDUAL CARTON | *3-332-556-61 | (RX55ES) INDIVIDUAL CARTON |

TC-RX55/RX55ES/RX410

SONY
SERVICE MANUAL

US Model
TC-RX55ES/RX410

Canadian Model
TC-RX55/RX410

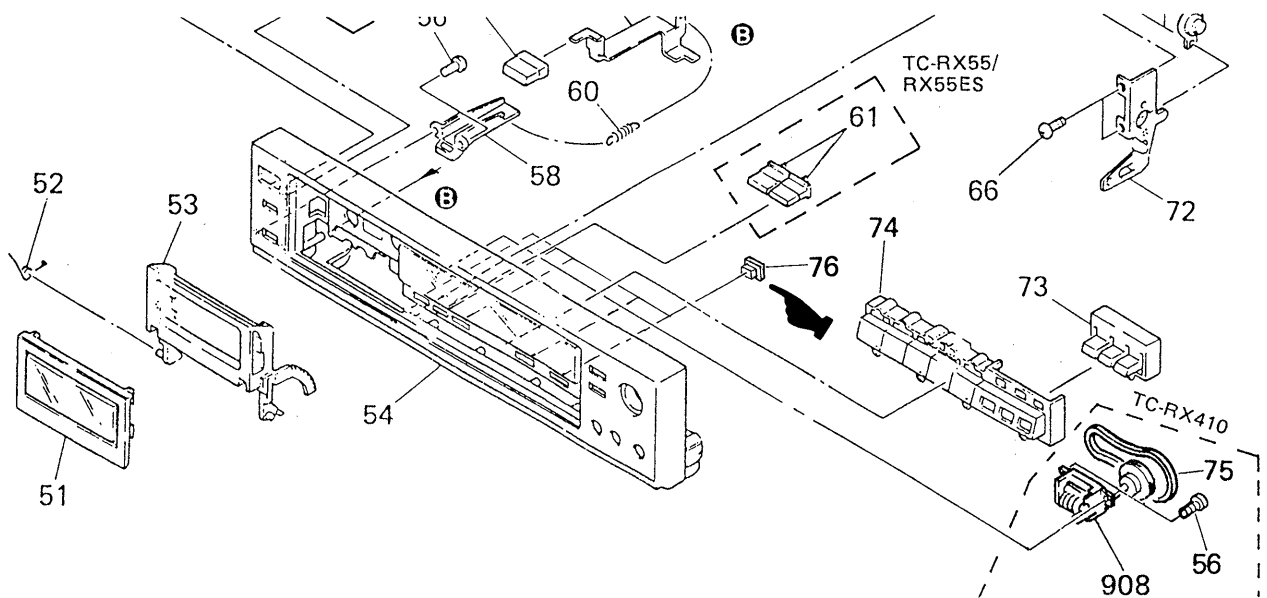
AEP Model
UK Model
E Model
TC-RX55

CORRECTION-1

Please correct your service manual.

Page 16

 : Additional part



| No. | Part No. | Description |
|-----|--------------|-------------|
| 76 | 3-340-195-02 | INDICATOR |