

TC-WR500

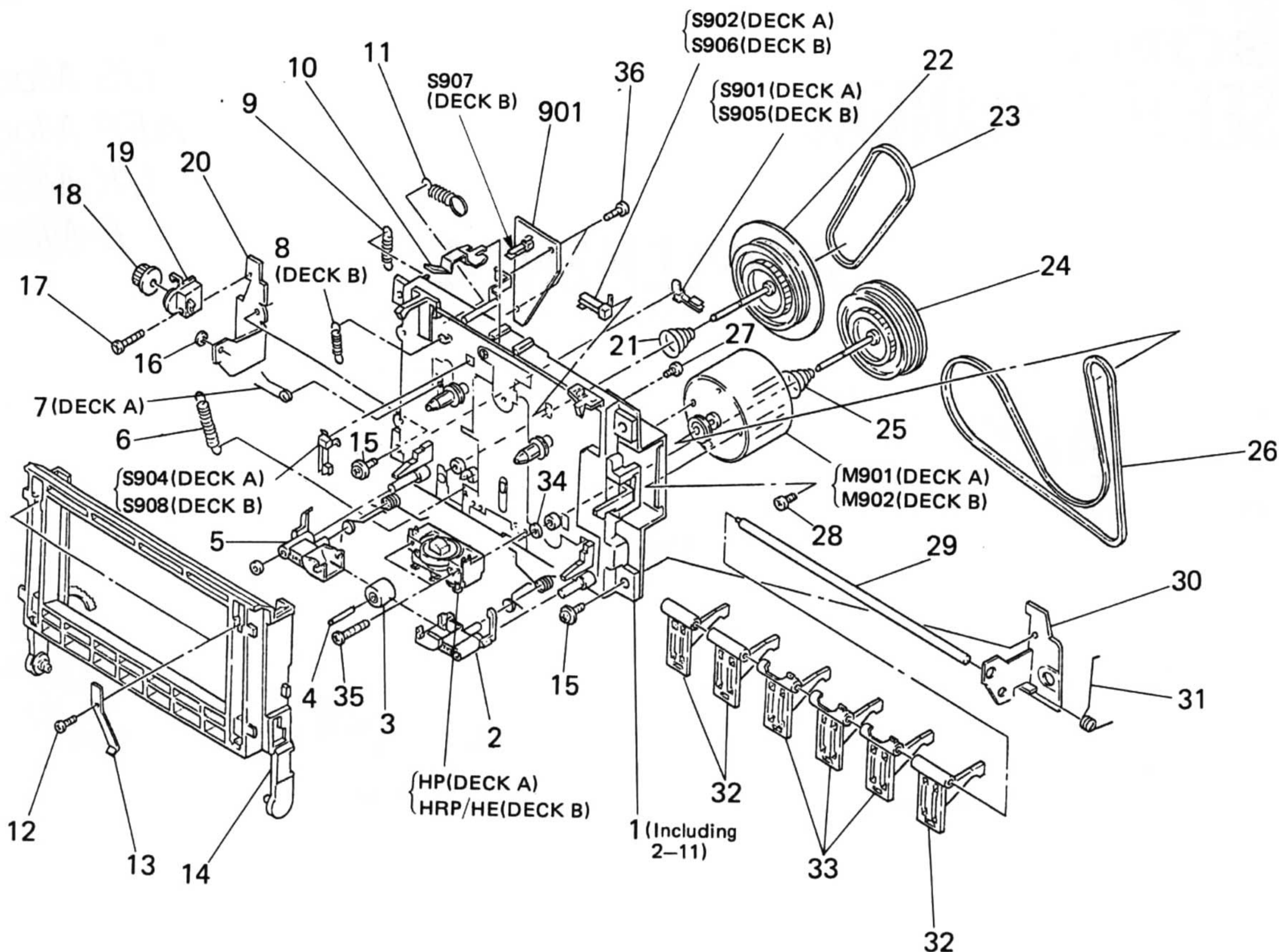
SONY[®] **SERVICE MANUAL**

US Model
AEP Model
UK Model
E Model

SUPPLEMENT-1

File this supplement with the service manual.

Subject: exploded view mechanism section



Ref.No	Part No.	Description
1	A-2105-028-A	(DECK : B)...MD SUB ASSY
1	A-2105-029-A	(DECK : A)...MD SUB ASSY
2	3-393-111-01	ARM PINCH-R
3	3-393-149-01	ROLLER PINCH
4	3-393-113-01	SHAFT
5	3-393-112-01	ARM PINCH-L
6	3-391-096-01	SPRING
7	3-391-094-01	(DECK : A)...SPRING
8	3-391-093-01	(DECK : A)...SPRING
9	3-393-183-01	SPRING
10	3-393-209-01	PLATE SPRING
11	3-393-186-01	SPRING
12	7-685-103-19	SCREW +P 2X5 TYPE2 NON-SLIT
13	4-894-951-01	KEEP PLATE
14	3-390-801-01	CASE, CASSETTE
15	3-394-108-01	SCREW
16	7-624-104-04	STOP RING 2.0, TYPE -E
17	7-685-856-01	SCREW +BVTT 2X12 (S)
18	3-392-144-01	DAMPER, GEAR
19	*3-392-143-01	HOLDER, GEAR
20	*3-394-100-01	HOLDER, BUTTON
21	3-393-206-01	SPRING
22	X-3391-018-1	ASSY FLYWHEEL R
23	3-393-208-01	BELT
24	X-3391-017-1	ASSY FLYWHEEL F

Ref.No	Part No.	Description
25	3-393-205-01	SPRING
26	3-393-207-01	BELT
27	7-685-133-19	SCREW +P 2.6X6 TYPE1
28	3-394-134-01	SCREW
29	*3-392-139-01	SHAFT
30	*3-394-099-01	HOLDER (C), BUTTON
31	3-392-142-01	SPRING
32	3-392-147-01	LEVER (R), BUTTON
33	3-392-140-01	LEVER, BUTTON
34	4-894-969-01	N WASHER
35	3-393-218-01	SCREW
36	7-621-255-25	SCREW +PTT 2X4 (S)
901	1-628-802-11	PC BOARD, MD
HP	X-3394-004-1	(DECK : A)...HEAD ASSY (A)
M901	X-3394-001-1	(DECK : A)...MOTOR ASSY
M902	X-3394-001-1	(DECK : B)...MOTOR ASSY
HRP	X-3394-003-1	(DECK : B)...HEAD ASSY (B)
HE		
S901	1-571-746-11	(DECK : A)...SWITCHM LEAF
S902	1-571-745-11	(DECK : A)...SWITCHM LEAF
S904	1-571-745-11	(DECK : A)...SWITCHM LEAF
S905	1-571-746-11	(DECK : B)...SWITCHM LEAF
S906	1-571-745-11	(DECK : B)...SWITCHM LEAF
S907	1-571-747-11	(DECK : B)...SWITCHM LEAF
S908	1-571-745-11	(DECK : B)...SWITCHM LEAF