

TC-WA7ESA/WE505/WE605S/ WE705S/WR550Z

SERVICE MANUAL



Photo : TC-WE705S

US Model
TC-WA7ESA/WE605S/WR550Z

Canadian Model
TC-WA7ESA/WE605S

AEP Model
TC-WE505/WE705S

UK Model
TC-WE505

E Model
Australian Model
Chinese Model
TC-WE605S

* Dolby noise reduction and HX Pro headroom extension manufactured under license from Dolby Laboratories Licensing Corporation. HX Pro originated by Bang & Olufsen.

"DOLBY", the double-D symbol $\square\square$ and "HX PRO" are trademarks of Dolby Laboratories Licensing Corporation.

Model Name Using Similar Mechanism		TC-WA7ES/WR565/WE665S
Tape Transport Mechanism Type	DECK-A	TC-WE605S/WR550Z : TCM-190RA12CL TC-WE505 : TCM-190RA14CL TC-WA7ESA : TCM-190RA17CL TC-WE705S : TCM-190RA18C
	DECK-B	TC-WA7ESA/WE705S : TCM-190RB11C TC-WE505/WE605S/WR550Z : TCM-190RB12CL

SPECIFICATIONS

System

Recording system

4-track 2-channel stereo

Fast-winding time (approx.)

90 sec. (with Sony C-60 cassette)

High-speed fast-winding time (approx.) (TC-WA7ESA and TC-WE705S only)

45 sec. (with Sony C-60 cassette)

Bias

AC bias

Signal-to-noise ratio (at peak level and weighted with Dolby NR off)

Type I tape, Sony Type I (NORMAL): 55 dB
Type II tape, Sony Type II (HIGH): 57 dB
Type IV tape, Sony Type IV (METAL): 58 dB

S/N ratio improvement (approximate values)

With Dolby B NR on: 5 dB at 1 kHz, 10 dB at 5 kHz
With Dolby C NR on: 15 dB at 500 Hz, 20 dB at 1 kHz
With Dolby S NR on (unavailable on the TC-WE505):
10 dB at 100 Hz, 24 dB at 1 kHz

Harmonic distortion

0.4% (with Type I tape, Sony Type I (NORMAL):
160 nWb/m 315 Hz, 3rd H.D.)
1.8% (with Type IV tape, Sony Type IV (METAL):
250 nWb/m 315 Hz, 3rd H.D.)

Frequency response (Dolby NR off)

Tape type

Type I tape, Sony Type I (NORMAL)	30 - 16,000 Hz (± 3 dB, IEC), 20 - 17,000 Hz (± 6 dB)
Type II tape, Sony Type II (HIGH)	30 - 17,000 Hz (± 3 dB, IEC), 20 - 18,000 Hz (± 6 dB)
Type IV tape, Sony Type IV (METAL)	30 - 19,000 Hz (± 3 dB, IEC), 20 - 20,000 Hz (± 6 dB), 30 - 13,000 Hz (± 3 dB, -4 dB recording)

— Continued on page 2 —



STEREO CASSETTE DECK
SONY[®]

Wow and flutter

TC-WA7ESA/WE705S/WE605S/ WR550Z	TC-WE505
±0.13% W. Peak (IEC)	±0.14% W. Peak (IEC)
0.07% W. RMS (NAB)	0.08% W. RMS (NAB)
±0.18% W. Peak (DIN)	±0.19% W. Peak (DIN)

Variable pitch range (approx.) (TC-WE705S and TC-WE505 only)
-30 to +30%

Inputs

Line inputs (phono jacks)
Sensitivity : 0.16 V
Input impedance : 47 kilohms

Outputs

Line outputs (phono jacks)
Rated output level : 0.5 V at a load impedance of
47 kilohms
Load impedance : Over 10 kilohms

Headphones (stereo phone jack)
Output level : 0.25 mW at a load impedance of
32 ohms

General

Power requirements

Where purchased	Power requirements
US, Canadian, Panama model	120V AC, 60Hz
AEP, UK, German, Malaysia, Singapore, Chinese model	220 - 230V AC, 50/60Hz
Australian model	240V AC, 50/60Hz
E model	120/220/240V AC, 50/60Hz

Power consumption
26W

Dimensions (approx) (w/h/d)

UK, and Australian model :
430 x 120 x 303 mm (w/h/d)
(17 x 4 3/4 x 12 inches)
EXCEPT UK, Australian model :
430 x 120 x 290 mm (w/h/d)
(17 x 4 3/4 x 11 1/2 inches)
including projecting parts and controls

Mass (approx.)
4.2 kg (9 lbs 5 oz)

Supplied accessories

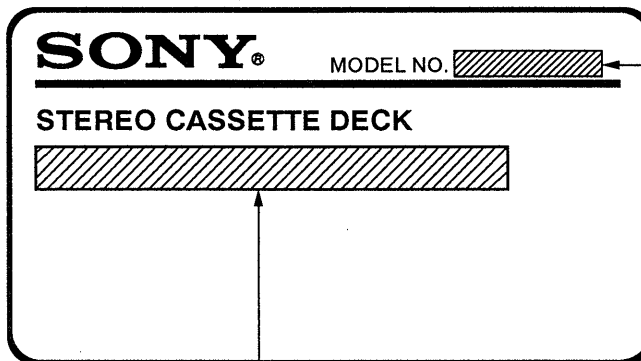
Audio connecting cords (2 phono plugs - 2 phono
plugs) (2)
Remote commander (RM-J910) (1) :
(WA7ESA : Canadian model)

Design and specifications are subject to change without
notice.

TABLE OF CONTENTS

Section	Title	Page
	Specifications	1
	Safety Check-out	3
1. GENERAL		
1-1.	Identifying the Parts	4
2. DISASSEMBLY		
2-1.	Front Panel Removal	5
2-2.	Mechanism Deck	5
2-3.	Capstan Motor, Reel Motor	6
2-4.	Head, Pinch Roller	6
3. ADJUSTMENTS		
3-1.	Mechanical Adjustments	7
3-2.	Electrical Adjustments	7
4. EXPLANATION OF IC TERMINALS		11
5. DIAGRAMS		
5-1.	Block Diagram	13
5-2.	Printed Wiring Boards (Main Section)	18
5-3.	Schematic Diagram (Main Section)	23
5-4.	Schematic Diagram (Panel Section)	28
5-5.	Schematic Diagram (Audio Section)	30
5-6.	Printed Wiring Boards (Audio Section)	33
5-7.	Printed Wiring Boards (Dolby Section)	36
5-8.	Schematic Diagram (Dolby Section)	37
6. EXPLODED VIEWS		
6-1.	Chassis Section	39
6-2.	Front Panel Section	41
6-3.	Mechanism Section 1	42
6-4.	Mechanism Section 2	43
7. ELECTRICAL PARTS LIST		44

MODEL IDENTIFICATION
(Specification Label)



TC-WA7ESA
TC-WE505
TC-WE605S
TC-WE705S
TC-WR550Z

US, Canadian, Panama model : AC 120V 60Hz
Australian model : AC 240V~50/60Hz
AEP, UK, Malaysia, Singapore,
Chinese, German model : AC 220-230V~50/60Hz
E model : AC120/220/240V~50/60Hz

SAFETY CHECK-OUT

After correcting the original service problem, perform the following safety check before releasing the set to the customer:

Check the antenna terminals, metal trim, "metallized" knobs, screws, and all other exposed metal parts for AC leakage. Check leakage as described below.

LEAKAGE TEST

The AC leakage from any exposed metal part to earth ground and from all exposed metal parts to any exposed metal part having a return to chassis, must not exceed 0.5 mA (500 microampers). Leakage current can be measured by any one of three methods.

1. A commercial leakage tester, such as the Simpson 229 or RCA WT-540A. Follow the manufacturers' instructions to use these instruments.
2. A battery-operated AC milliammeter. The Data Precision 245 digital multimeter is suitable for this job.

3. Measuring the voltage drop across a resistor by means of a VOM or battery-operated AC-voltmeter. The "limit" indication is 0.75 V, so analog meters must have an accurate low-voltage scale. The Simpson 250 and Sanwa SH-63Trd are examples of a passive VOM that is suitable. Nearly all battery operated digital multimeters that have a 2V AC range are suitable. (See Fig. A)

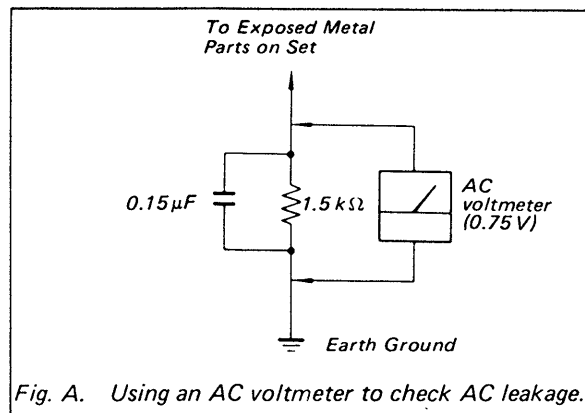





Fig. A. Using an AC voltmeter to check AC leakage.

SAFETY-RELATED COMPONENT WARNING!!

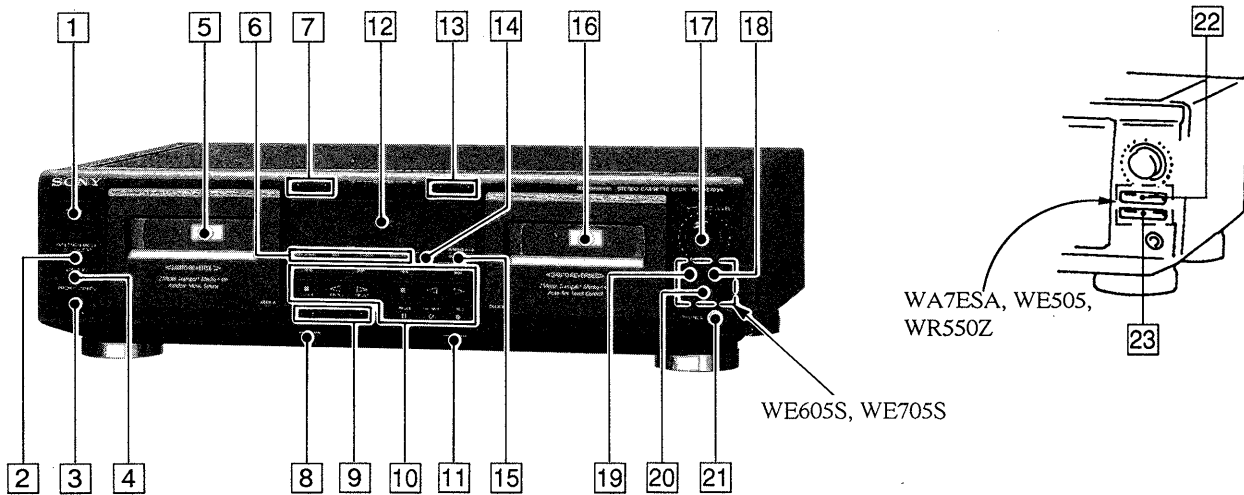
COMPONENTS IDENTIFIED BY MARK  OR DOTTED LINE WITH MARK  ON THE SCHEMATIC DIAGRAMS AND IN THE PARTS LIST ARE CRITICAL TO SAFE OPERATION. REPLACE THESE COMPONENTS WITH SONY PARTS WHOSE PART NUMBERS APPEAR AS SHOWN IN THIS MANUAL OR IN SUPPLEMENTS PUBLISHED BY SONY.

ATTENTION AU COMPOSANT AYANT RAPPORT À LA SÉCURITÉ!

LES COMPOSANTS IDENTIFIÉS PAR UNE MARQUE  SUR LES DIAGRAMMES SCHÉMATIQUES ET LA LISTE DES PIÈCES SONT CRITIQUES POUR LA SÉCURITÉ DE FONCTIONNEMENT. NE REMPLACER CES COMPOSANTS QUE PAR DES PIÈCES SONY DONT LES NUMÉROS SONT DONNÉS DANS CE MANUEL OU DANS LES SUPPLÉMENTS PUBLIÉS PAR SONY.

SECTION 1 GENERAL

1-1. IDENTIFYING THE PARTS



FRONT PANEL

- | | |
|---|---|
| <p>1 POWER switch</p> <p>2 DIRECTION MODE switch</p> <p>3 PITCH control</p> <p>4 PITCH control ON/OFF switch</p> <p>5 Deck-A</p> <p>6 RMS** operation buttons
RMS/START buttons
SET buttons
CHECK buttons
DISPLAY buttons</p> <p>7 COUNTER buttons (deck-A)
RESET button
MEMORY button</p> <p>8 ⏏ (eject) button (deck-A)</p> <p>9 DOLBY NR switches
OFF/ON/FILTER ON switch
B/C/S switch</p> <p>10 Tape operation buttons
◀◀ (leftward fastwinding)/AMS***/
RMS** - button
▶▶ (rightward fastwinding)/AMS***/
RMS** + button
■ (stop)/(RMS**) CLEAR button
◀ (reverse play)/(RMS**) BACK
button
▷ (forward play)/(RMS**) FRONT
button
 PAUSE button
○ REC MUTE (record muting) button
● REC (record muting) button</p> | <p>11 ⏏ (eject) button (deck-B)</p> <p>12 Display panel</p> <p>13 COUNTER buttons (deck-B)
RESET button
MEMORY button</p> <p>14 AUTO CAL button</p> <p>15 SYNCHRO DUBBING buttons
HIGH button
NORMAL button</p> <p>16 Deck-B</p> <p>17 AUTO REC (recording) LEVEL control</p> <p>18 ARL button</p> <p>19 FADER button</p> <p>20 SYNCHRO button</p> <p>21 PHONES jack (stereo phone jack)</p> <p>22 ARL button</p> <p>23 FADER button</p> |
|---|---|

** Random Music Sensor
*** Automatic Music Sensor

SECTION 2 DISASSEMBLY

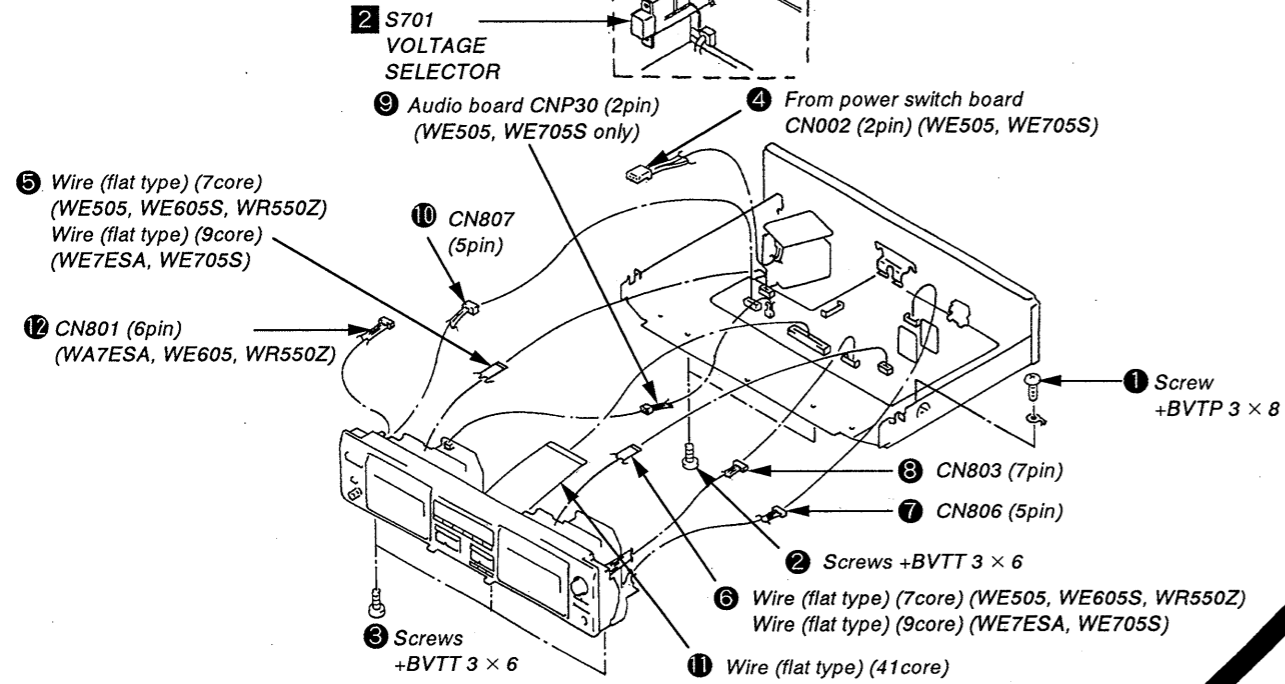
Note : Follow the disassembly procedure in the numerical order given.

CASE

Unscrew the four case attachment screws M3 × 8 and remove the case.

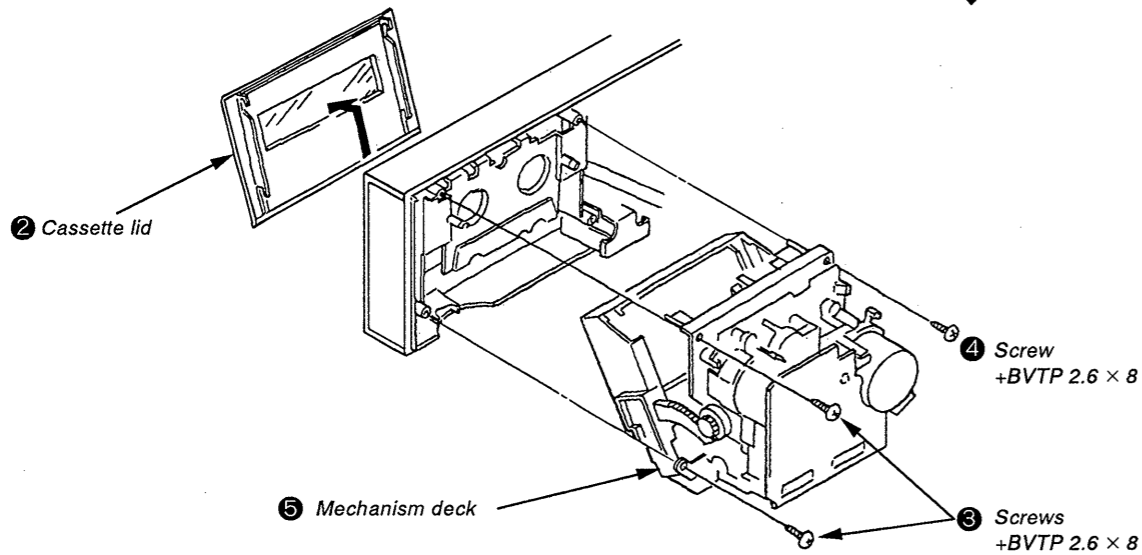
2-1. FRONT PANEL REMOVAL

FRONT PANEL ① - ⑫
VOLTAGE SELECTOR ① - ②

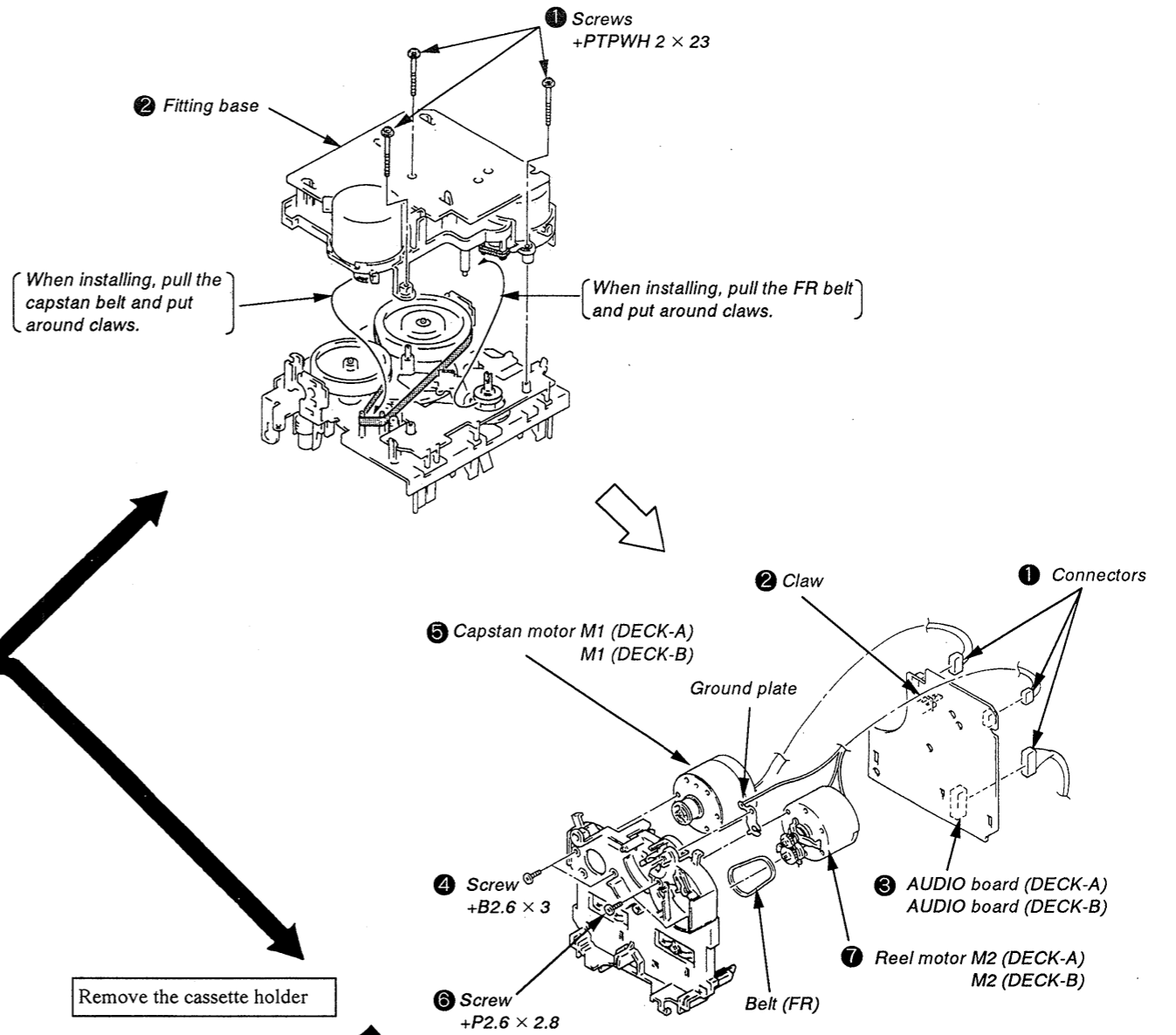


2-2. MECHANISM DECK

① Press the EJECT button.

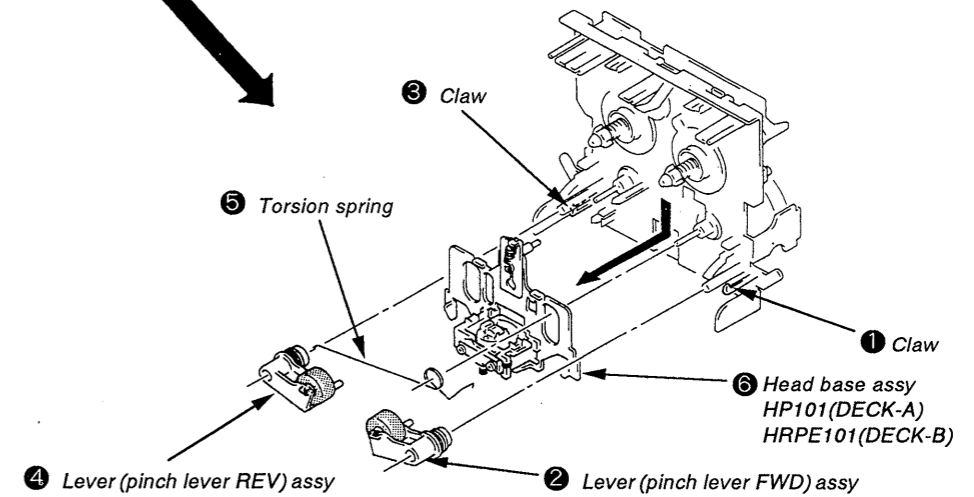


2-3. CAPSTAN MOTOR, REEL MOTOR



Remove the cassette holder

2-4. HEAD, PINCH ROLLER



SECTION 3 ADJUSTMENTS

3-1. MECHANICAL ADJUSTMENTS

PRECAUTION

1. Clean the following parts with a denatured alcohol-moistened swab:

record/playback/erase head	pinch roller
rubber belts	capstan
idlers	
2. Demagnetize the record/playback head with a head demagnetizer.
3. Do not use a magnetized screwdriver for the adjustment.
4. After the adjustments, apply suitable locking compound to the parts adjusted.
5. The adjustments should be performed with the rated power supply voltage unless otherwise noted.

Torque Measurement

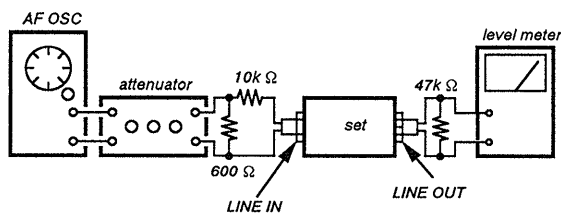
Torque	Torque meter	Meter reading
Forward	CQ-102C	30 to 65g • cm (0.42 to 0.9 oz • inch)
Forward back tension	CQ-102C	DECK-A : 1 to 6g • cm (0.014 to 0.083 oz • inch) DECK-B : 2 to 9g • cm (0.03 to 0.12 oz • inch)
Reverse	CQ-102RC	30 to 65g • cm (0.42 to 0.9 oz • inch)
Reverse back tension	CQ-102RC	1 to 6g • cm (0.014 to 0.083 oz • inch)
FF/REW	CQ-201B	70 to 120g•cm (0.98 to 1.66 oz•inch)

3-2. ELECTRICAL ADJUSTMENTS

PRECAUTION

1. The adjustment should be performed in the publication.
(Be sure to make playback adjustment at first.)
2. The adjustments and measurement should be performed for both L-CH and R-CH.
 - Switch position
DOLBY NR switch : OFF
DIRECTION MODE switch : ⇄
 - Standard record position :
Deliver the standard input signal level to input jack and set the REC LEVEL control to obtain the standard output signal level as follows.

— Record Mode —



Standard Input Level

Input terminal	LINE IN
source impedance	10k Ω
input signal level	0.5V (- 3.8dB)

Standard Output Level

Output terminal	LINE OUT
load impedance	47k Ω
output signal level	0.5V (- 3.8dB)

Test Tape

Tape	Contents	Use
P-4-A100	10kHz, - 10dB	Azimuth Adjustment
P-4-L300	315Hz, 0dB	PB Level Adjustment
WS-48B	3kHz, 0dB	Tape Speed Adjustment

0dB=0.775V

Test Mode

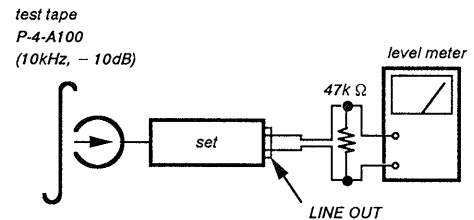
1. Insert a short-circuit plug into TP801 (2P) and turn ON the power switch.
At first, all the fluorescent tubes light up, then the system returns to normal display. (However, "0,00" is not displayed on the counter.)
2. To release the test mode, remove the short plug and turn off the power switch.
3. Remove the short plug after completion of adjustment.

Record/Playback Head Azimuth Adjustment

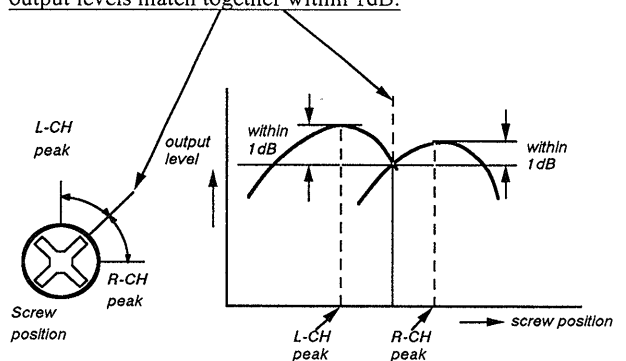
DECK-A **DECK-B**

Procedure :

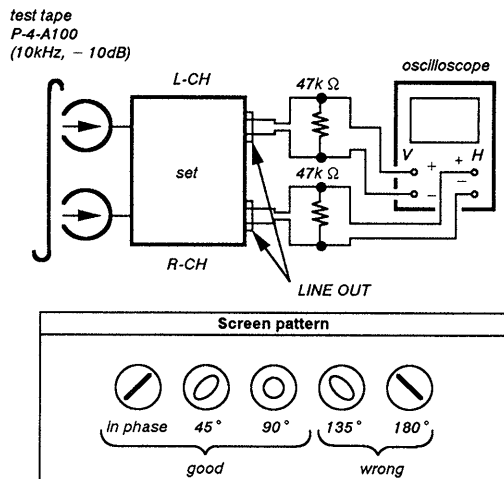
1. Forward playback Mode



2. Turn the adjustment screw for the maximum output levels. If these levels do not match, turn the adjustment screw until both of output levels match together within 1dB.

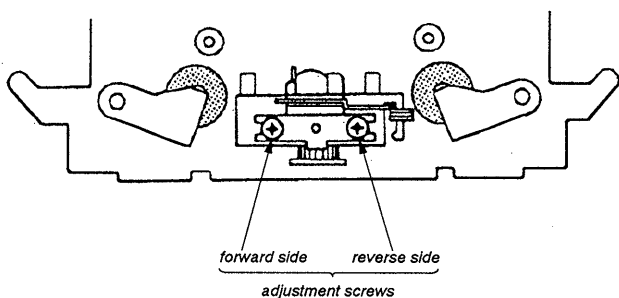


3. Playback Mode



4. Change the reverse playback mode and repeat the steps 1 to 3.
5. After the adjustment, lock the adjustment screws with suitable locking compound.

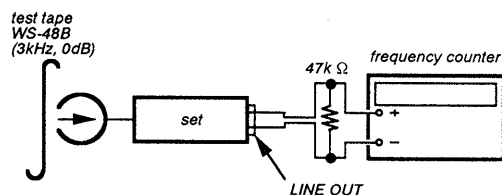
Adjustment Location : – record/playback head –



Tape Speed Adjustment DECK-A DECK-B

Procedure :

– Forward Playback Mode –



(High speed adjustment)

1. Set to test mode. (Refer to page 7)
2. Set to FWD playback mode.
3. Keep on pressing the HIGH SPEED DUBBING switch.
4. Adjust RV72 so that the frequency counter reading becomes $6,000 \pm 20\text{Hz}$.
5. Release test mode after adjustment is completed.

(Normal speed adjustment)

1. Set to FWD playback mode.
2. Adjust RV71 so that the frequency counter reading becomes $3,000 \pm 10\text{Hz}$.

(Pitch control adjustment) (TC-WE505/WE705S only)

1. Turn ON the PITCH CONTROL switch.
2. Set RV902 to mechanical center.
3. Set to FWD playback mode.
4. Adjust RV601 so that the frequency counter reading becomes $3,000 \pm 10\text{Hz}$.

Frequency difference between the beginning and the end of the tape should be within 3%.

Frequency difference between the deck A and deck B the beginning of the tape should be within 1.5%.

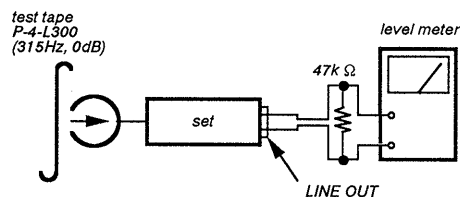
Adjustment Location : AUDIO board, MAIN board.

(See page 10)

Playback Level Adjustment DECK-A DECK-B

Procedure :

– Forward Playback Mode –



Adjust RV11(L-CH) and RV21(R-CH) so the level meter reading becomes the adjustment limits below.

Adjustment Value :

LINE OUT level : $-7.7 \pm 0.5\text{dB}$ (0.301 to 0.338V)

Level difference between channels : within 0.5dB

Confirm the LINE OUT level does not change in playback mode while changing the mode from playback to stop several times.

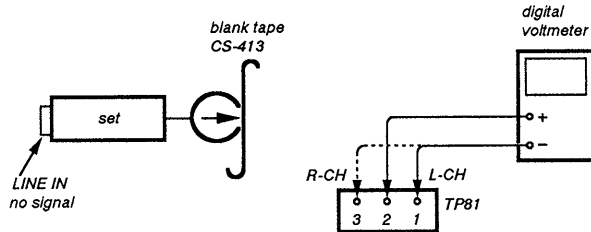
Adjustment Location : AUDIO board. (See page 10)

Bias Consumption Current Adjustment **DECK-B**

This adjustment should be performed when replacing the head assy or the bias oscillating transformer (T81, T91).

Procedure :

< > : R-CH



1. Connect the digital voltmeter to test point TP81.
2. Set RV81(RV91) to mechanical center.
3. Set to FWD record mode.
4. Adjust T81(T91) so that the digital voltmeter reading becomes minimum.

Adjustment Value : Maximum 220mV

Adjustment Location : AUDIO board. (See page 10)

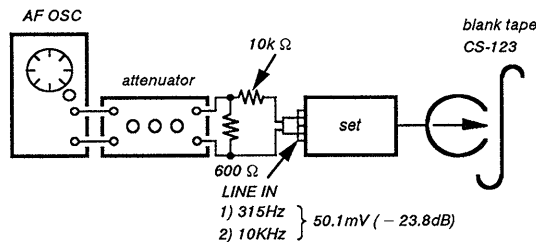
Record Bias Adjustment **DECK-B**

Setting :

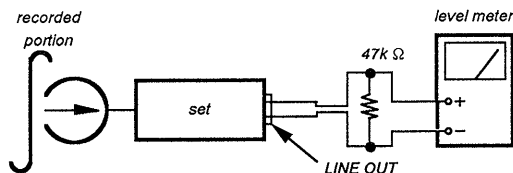
REC LEVEL control : standard record position (Refer to page 7.)

Procedure :

1. Record Mode



2. Playback Mode



Confirm that the 10kHz playback output is $0 \pm 0.5\text{dB}$ relative to the 315Hz output. If necessary, adjust RV81 (L-CH), RV91(R-CH) and repeat the steps given above.

Adjustment Location : AUDIO board. (See page 10)

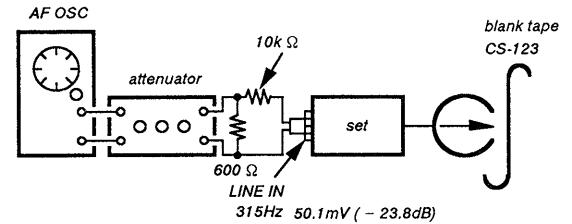
Record Level Adjustment **DECK-B**

Setting :

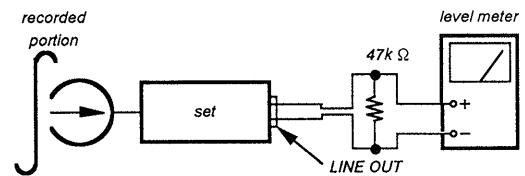
REC LEVEL control : standard record position (Refer to page 7.)

Procedure :

1. Record Mode



2. Playback Mode



Confirm playback the tape recorded become adjustment level as follows.

If necessary, adjust RV101(L-CH), RV201(R-CH) and repeat the steps 1 and 2.

Adjustment Value :

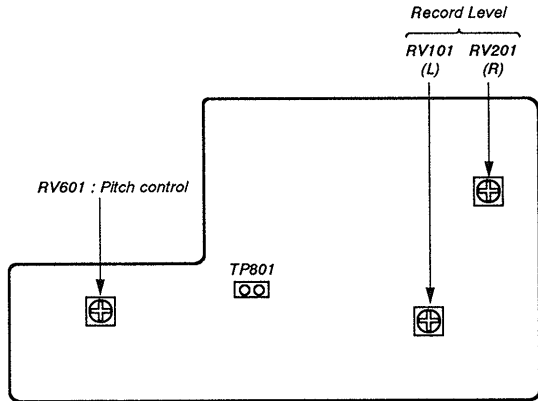
LINE OUT level : $-23.8 \pm 0.5\text{dB}$ (47.2 to 53mV)

Adjustment Location : MAIN board.

(See page 10)

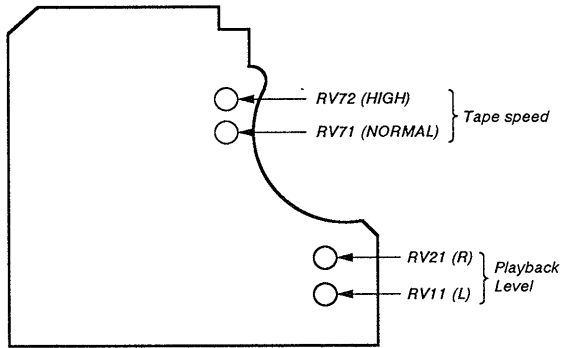
– Adjustment Parts Location Diagrams –

[MAIN BOARD]



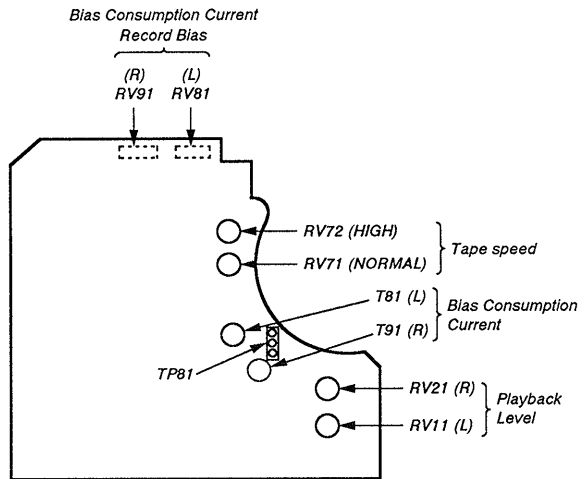
DECK-A :

[AUDIO BOARD]



DECK-B :

[AUDIO BOARD]



SECTION 4 EXPLANATION OF IC TERMINALS

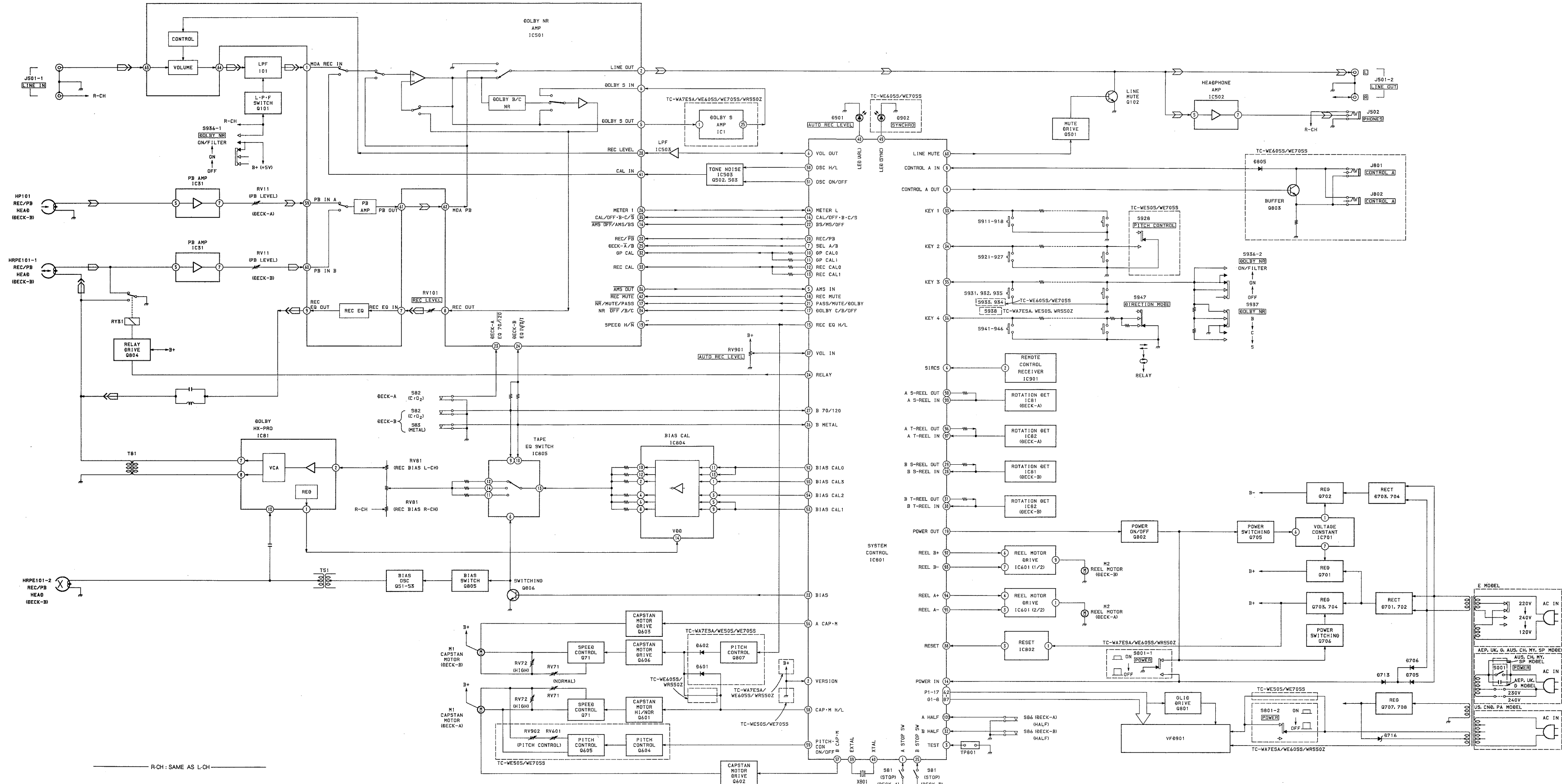
IC801 CXP8224-043Q (SYSTEM CONTROL/VFD DRIVE)

Pin No.	Pin name	I/O	Description
1	A STOP SW	I	Mechanism stop switch for deck-A. H : Stop
2	VERSION	I	Version select terminal.
3	TEST	I	Test mode select terminal. L : Test
4	SIRCS	I	Sircs signal input terminal.
5	AMS IN	I	AMS signal input terminal. L : Music present.
6	VOL OUT	O	REC level control output (PWM).
7	SEL A/B	O	Playback A/B selector. L : A, H : B
8	CONTROL A IN	I	Control A input.
9	CONTROL A OUT	O	Control A output.
10	GP CAL 0	O	GEQ CAL-0 output for auto calibration.
11	GP CAL 1	O	GEQ CAL-1 output for auto calibration.
12	REC CAL 0	O	Recording CAL-0 output for auto calibration.
13	REC COL 1	O	Recording CAL-1 output for auto calibration.
14	POWER IN	I	Power OFF Detection terminal.
15	REC EQ H/L	O	REC EQ high/normal select. L : Normal.
16	CAL/OFF, B, C/S	O	Audio Selector. H : CAL/Open : NR-OFF, B, C/L : NR-S.
17	DOLBY C/B/OFF	O	Dolby NR Selector. H : C/Open : B/L : OFF.
18	REC MUTE	O	Recording mute output. L : Mute ON, H : Mute OFF.
19	POWER OUT	O	Power hold output.
20	REC/PB	O	Dolby NR mode selector. L : Playback, H : Record.
21	PASS/MUTE/DOLBY	O	Audio selector. L : Dolby/Open : Mute/H : Pass.
22	BS/AMS/OFF	O	AMS amp selector. L : OFF/Open : AMS/H : OFF.
23	BIAS	O	Bias ON/OFF output. L : OFF, H : ON.
24	RELAY	O	Relay record/playback selector. L : Record.
25	B STOP SW	I	Mechanism stop switch for deck-B.
26	B METAL	I	Deck-B metal tape detection.
27	B 70/120	I	70/120 μ tape selector (deck-B). L : with claw.
28	B S-REEL IN	I	Supply reel rotation detection at deck-B.
29	B S-REEL OUT	O	Supply reel rotation detection at deck-B.
30	B T-REEL IN	I	Take-up reel rotation detection at deck-B.
31	B T-REEL OUT	O	Take-up reel rotation detection at deck-B.
32	B-HALF	I	Half pawl input at deck-B. (A/B converter)
33	KEY 1	I	KEY 1 input (A/D converter).
34	KEY 2	I	KEY 2 input (A/D converter).
35	KEY 3	I	KEY 3 input (A/D converter).
36	KEY 4	I	KEY 4 input (A/D converter).
37	VOL IN	I	Record volume input. (A/D converter)
38	RESET	I	System reset input terminal.
39	EXTAL	I	System clock oscillator input. (10.0MHz)
40	EXTAL	O	System clock oscillator output. (10.0MHz)

Pin No.	Pin name	I/O	Description
41	Vss	–	Ground.
42	TX	–	Not used. (Ground connection)
43	TEX	–	Not used. (Ground connection)
44	METER L	I	Meter L-CH input. (A/D converter)
45	METER R	I	Meter R-CH input. (A/D converter)
46	AVREF	I	Reference voltage input for A/D converter.
47	AVss	–	Ground for A/D converter.
48	LED (ARL)	O	ARL LED ON/OFF driver. H : ON.
49	LED (SYNC)	O	CD synchro LED ON/OFF drive. H : ON.
50	OSC H/L	O	OSC frequency H/L selection for auto calibration.
51	OSC ON/OFF	O	OSC ON/OFF output for auto calibration.
52	BIAS CAL 0	O	EQ bias CAL-0 output for auto calibration.
53	BIAS CAL 1	O	EQ bias CAL-1 output for auto calibration.
54	BIAS CAL 2	O	EQ bias CAL-2 output for auto calibration.
55	BIAS CAL 3	O	EQ bias CAL-3 output for auto calibration.
56	A CAP. M	O	Capastan motor ON/OFF control at deck-A. H : ON.
57	B CAP. M	O	Capastan motor ON/OFF control at deck-B. H : ON.
58	CAP. M H/L	O	Capastan motor high/normal selector. L : High.
59	PITCH. CON ON/OFF	O	Pitch control ON/OFF. H : ON.
60	LINE MUTE	O	Line mute ON/OFF output. L : Mute.
61 – 77	P17 – P1	O	VFD segment drive.
78 – 85	G1 – G8	O	VFD grid drive.
86	G6, G7	O	
87	G7, G8	O	
88	VFDP	–	VFD power. (– 28V)
89	VDD	–	Power supply. (+5V)
90	NC	–	Not used. (VDD connection)
91	Vss	–	Ground.
92	REEL B +	O	Reel motor (+) output at deck-B.
93	REEL B –	O	Reel motor (–) output at deck-B.
94	REEL A +	O	Reel motor (+) output at deck-A.
95	REEL A –	O	Reel motor (–) output at deck-A.
96	A T-REEL OUT	O	Take-up reel rotation detection at deck-A.
97	A T-REEL IN	I	Take-up reel rotation detection at deck-A.
98	A S-REEL OUT	O	Supply reel rotation detection at deck-B.
99	A S-REEL OUT	I	Supply reel rotation detection at deck-B.
100	A HALF	I	Half pawl input at deck-A. L : with claw.

**SECTION 5
DIAGRAMS**

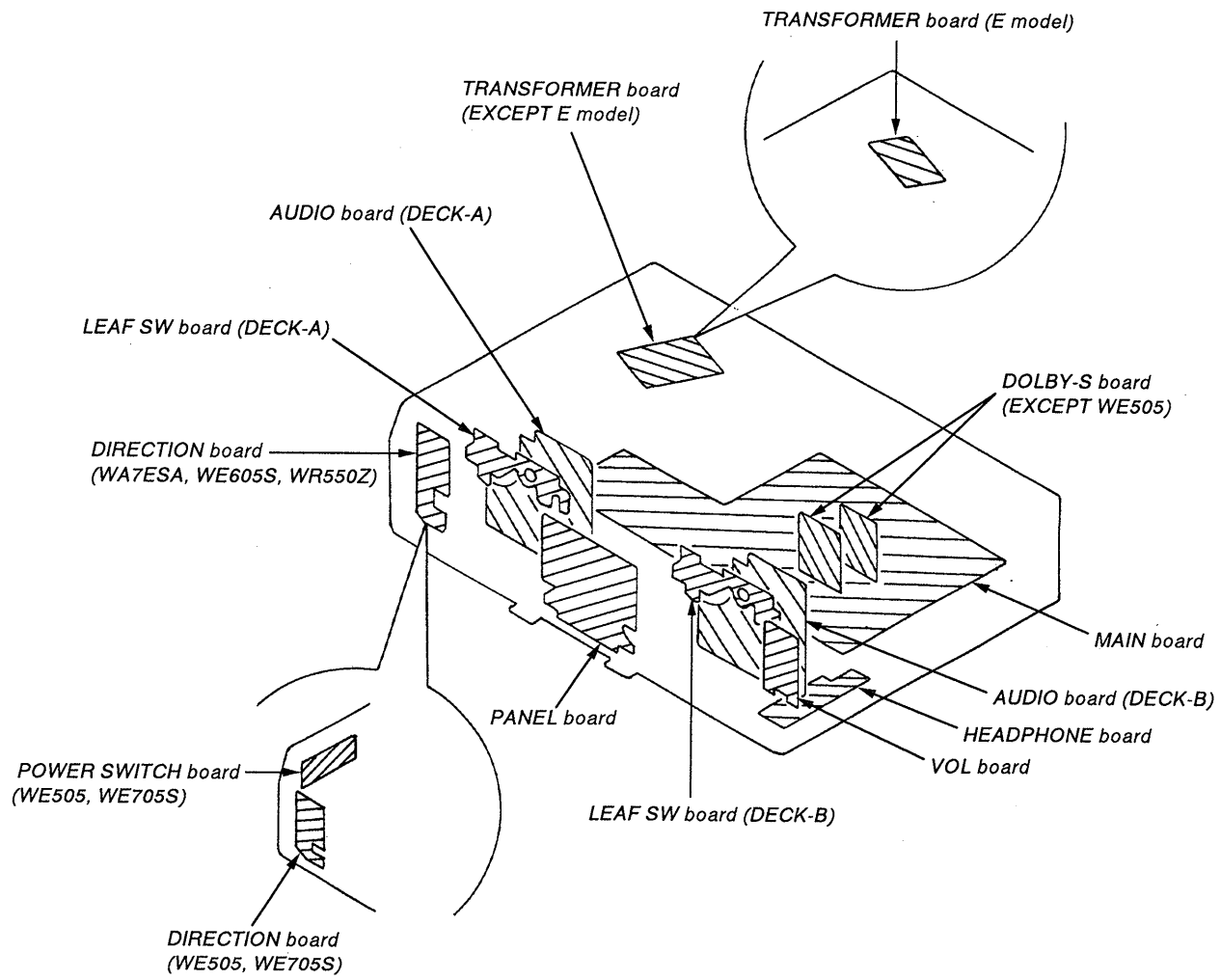
5-1. BLOCK DIAGRAM



R-CH : SAME AS L-CH

- Signal path.
 - ◀ : PB (DECK A)
 - ◁ : PB (DECK B)
 - ◻ : REC (DECK B)
-
- Abbreviation
 - CND : Canadian
 - G : German
 - AUS : Australian
 - CH : Chinese
 - SP : Singapore
 - MY : Malaysia
 - PA : Panama

● **CIRCUIT BOARDS LOCATION**



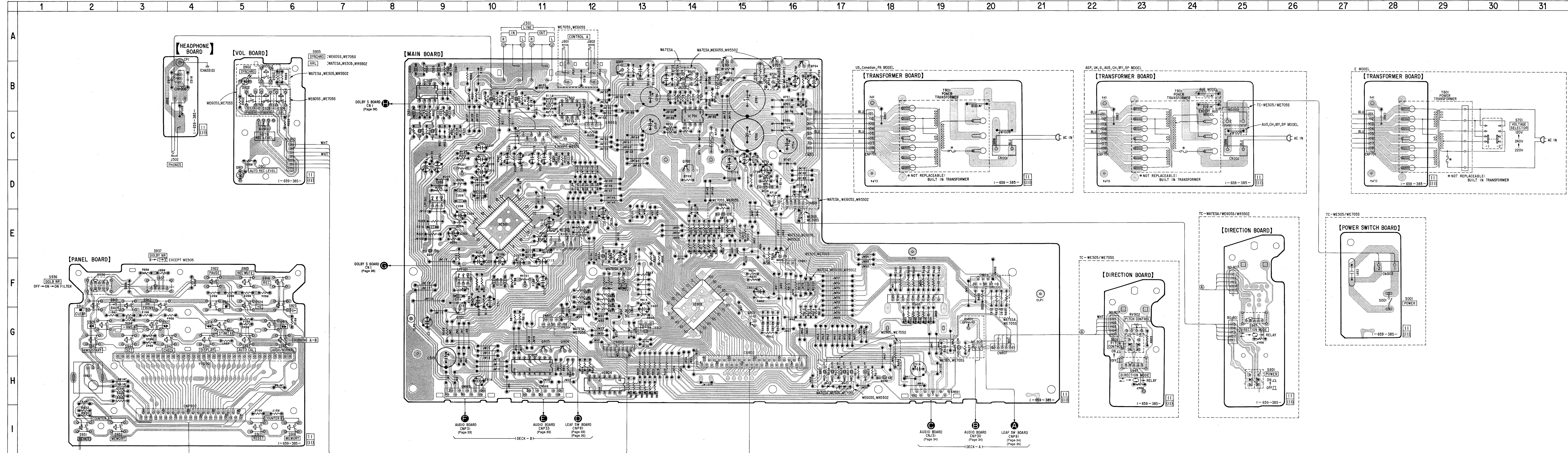
5-2. PRINTED WIRING BOARDS (MAIN SECTION)

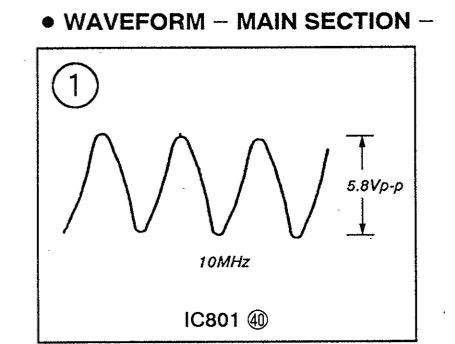
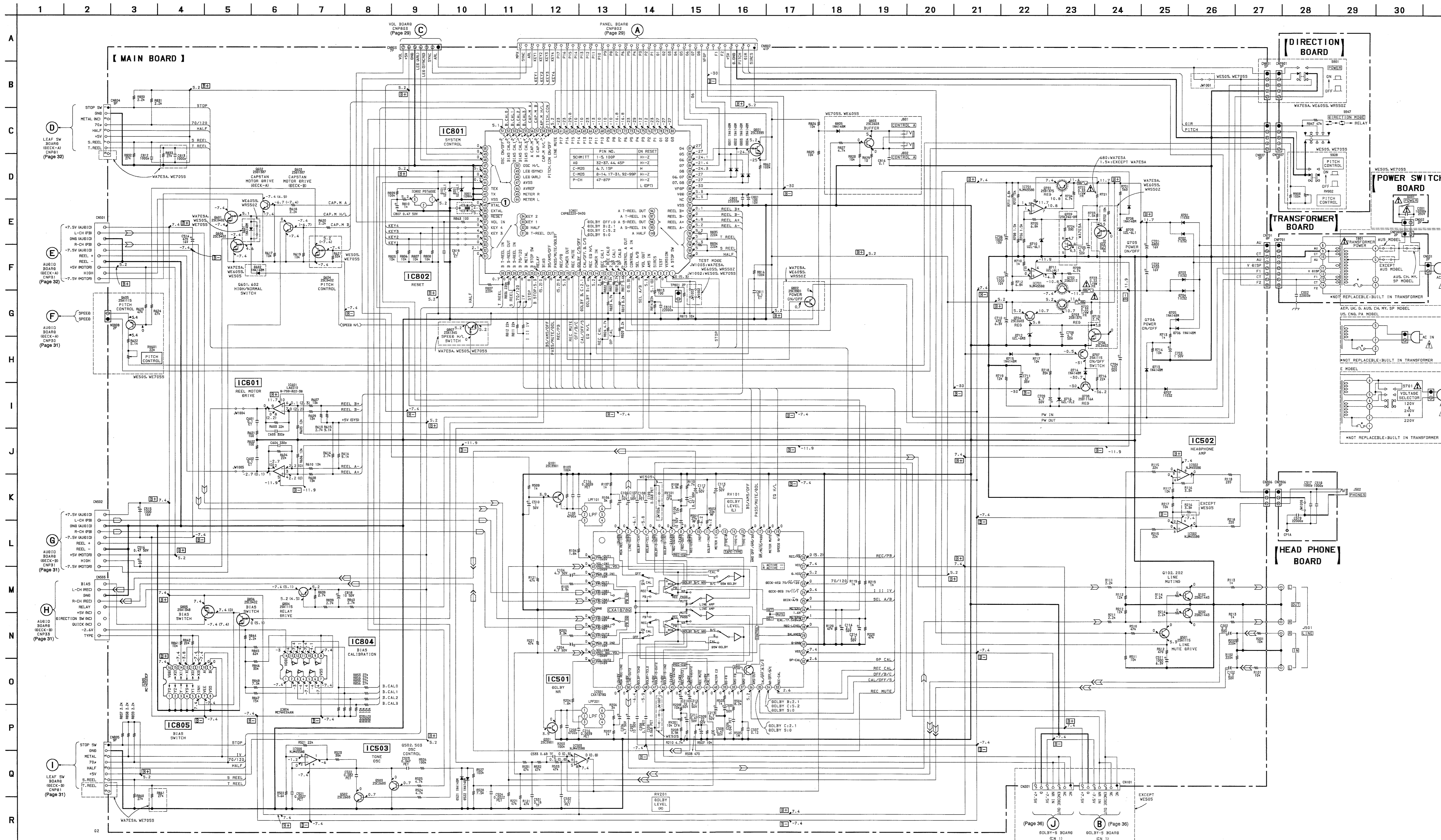
• SEMICONDUCTOR LOCATION

Ref. No.	Location	Ref. No.	Location
D101	G-13	IC801	F-14
D201	G-13	IC802	G-13
D521	C-9	IC804	H-12
D522	C-9	IC805	H-11
D601	H-17	IC901	H-2
D602	H-17		
D701	B-16	Q101	G-9
D702	B-16	Q102	B-10
D703	C-16	Q201	E-9
D704	C-16	Q202	B-10
		Q501	B-13
D705	B-16		
D706	B-16	Q502	G-9
D707	D-16	Q503	G-9
D708	B-14	Q601	H-17
D709	B-14	Q602	H-17
		Q603	H-17
D710	B-14		
D711	C-14	Q604	H-17
D712	B-16	Q605	G-19
D713	D-16	Q606	H-17
D714	D-16	Q701	B-15
		Q702	D-14
D715	D-15		
D716	D-15	Q703	B-16
D801	G-15	Q704	B-16
D802	G-15	Q705	B-14
D803	G-16	Q706	B-16
		Q707	D-16
D804	G-16		
D805	E-15	Q708	D-15
D901	D-5	Q709	B-14
D902	B-2	Q801	G-15
		Q802	E-16
		Q803	E-15
IC501	E-10		
IC502	B-12	Q804	E-12
IC503	B-9	Q805	G-11
IC601	F-18	Q806	G-11
IC701	G-14	Q807	H-17

Note:

- : parts extracted from the component side.
- ⊙ : Pattern on the side which is seen.
- Abbreviation:
 - CND : Canadian
 - G : German
 - AUS : Australian
 - CH : Chinese
 - SP : Singapore
 - MY : Malaysia
 - PA : Panama





Note:

- All capacitors are in μF unless otherwise noted; pF: μF F 50WV or less are not indicated except for electrolytics and tantalums.
- All resistors are in Ω and $\frac{1}{4}W$ or less unless otherwise specified.
- Δ : internal component.
- \sim : fusible resistor.

Note:
The components identified by mark Δ or dotted line with mark Δ are critical for safety. Replace only with part number specified.

Note:
Les composants identifiés par une marque Δ sont critiques pour la sécurité. Ne les remplacer que par une pièce portant le numéro spécifié.

- \square : B - Line
- \square : B - Line
- \square : adjustment for repair.

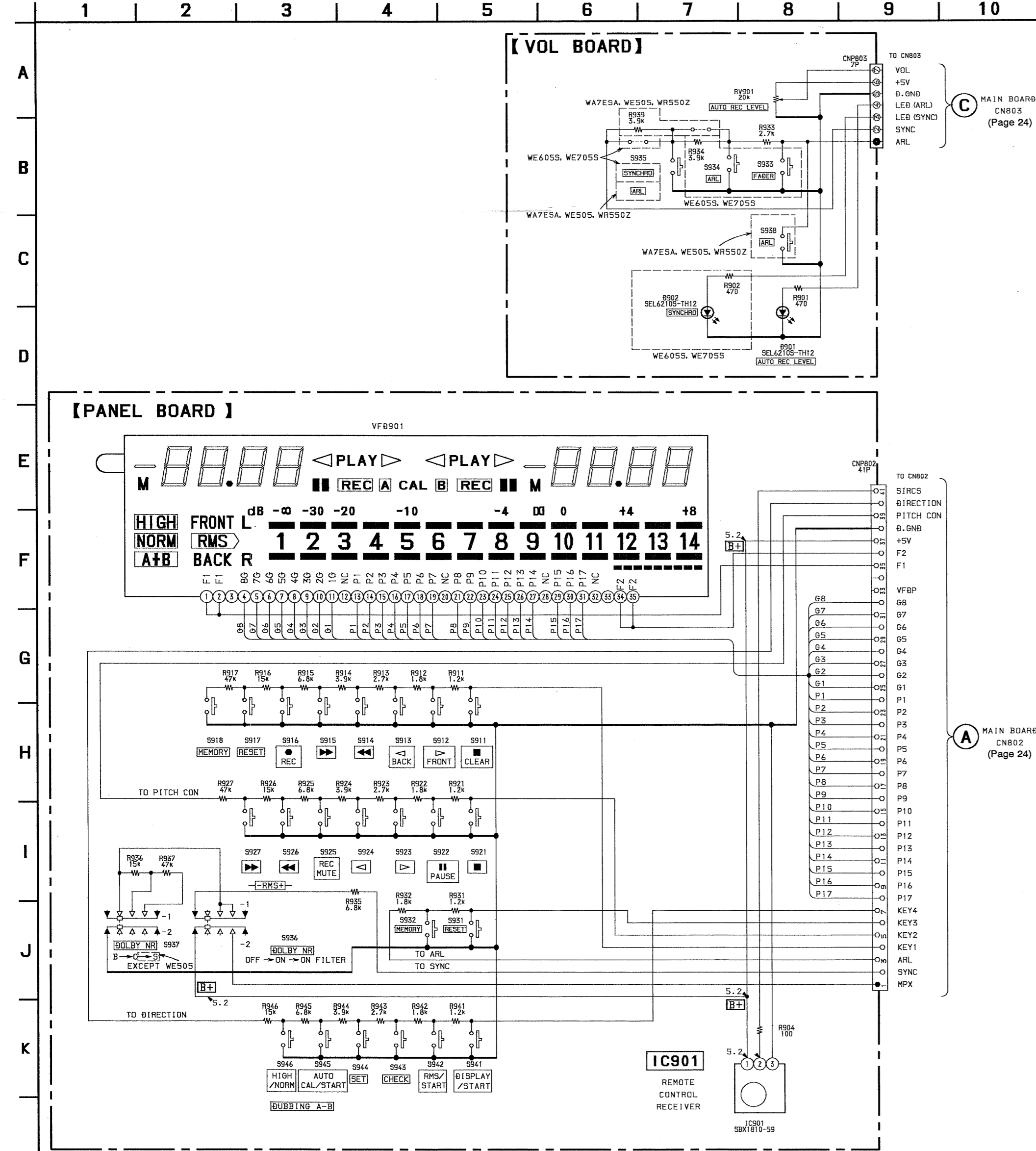
Voltage and waveforms are dc with respect to ground under no-signal conditions.
no mark : STOP
() : REC

• Voltages are taken with a VOM (input impedance 10M Ω). Voltage variations may be noted due to normal production tolerances.
• Waveforms are taken with an oscilloscope. Voltage variations may be noted due to normal production tolerances.
• Circled numbers refer to waveforms.

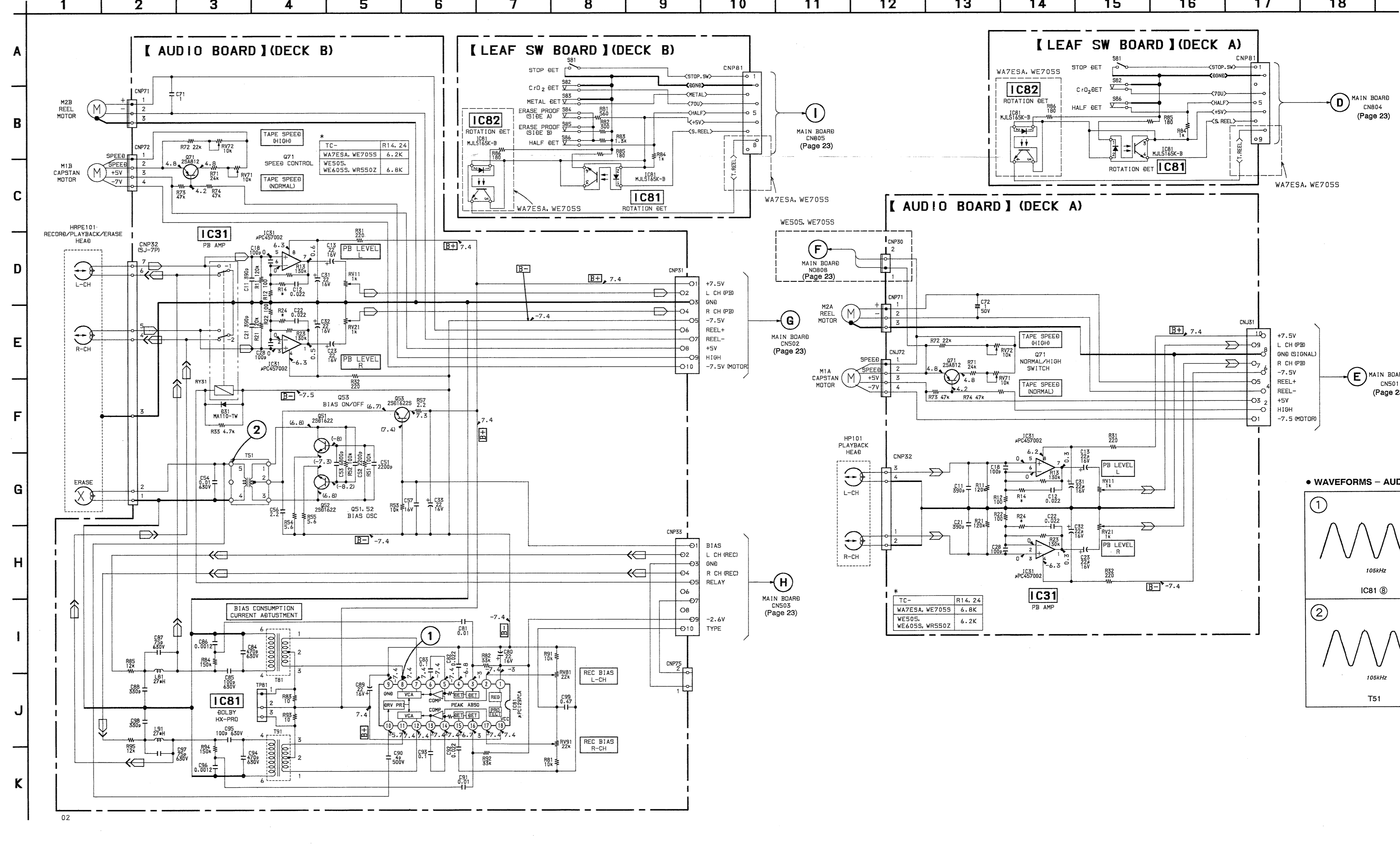
• Signal path:
 \Rightarrow PB (DECK A)
 \square : PB (DECK B)
 \square : REC (DECK B)

• Abbreviation
 CND : Canadian
 G : German
 AUS : Australian
 CH : Chinese
 SP : Singapore
 MY : Malaysia
 PA : Panama

5-4. SCHEMATIC DIAGRAM (PANEL SECTION)



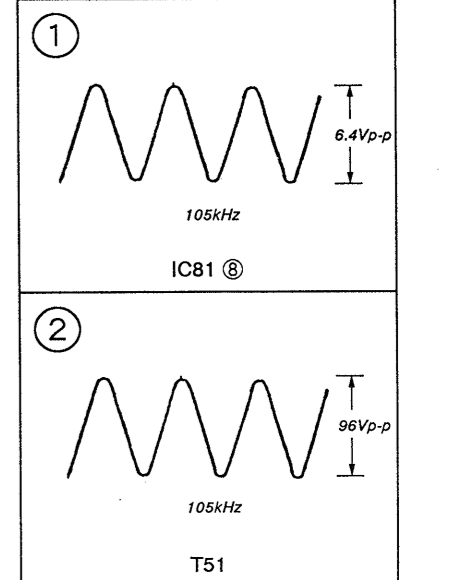
5-5. SCHEMATIC DIAGRAM (AUDIO SECTION)



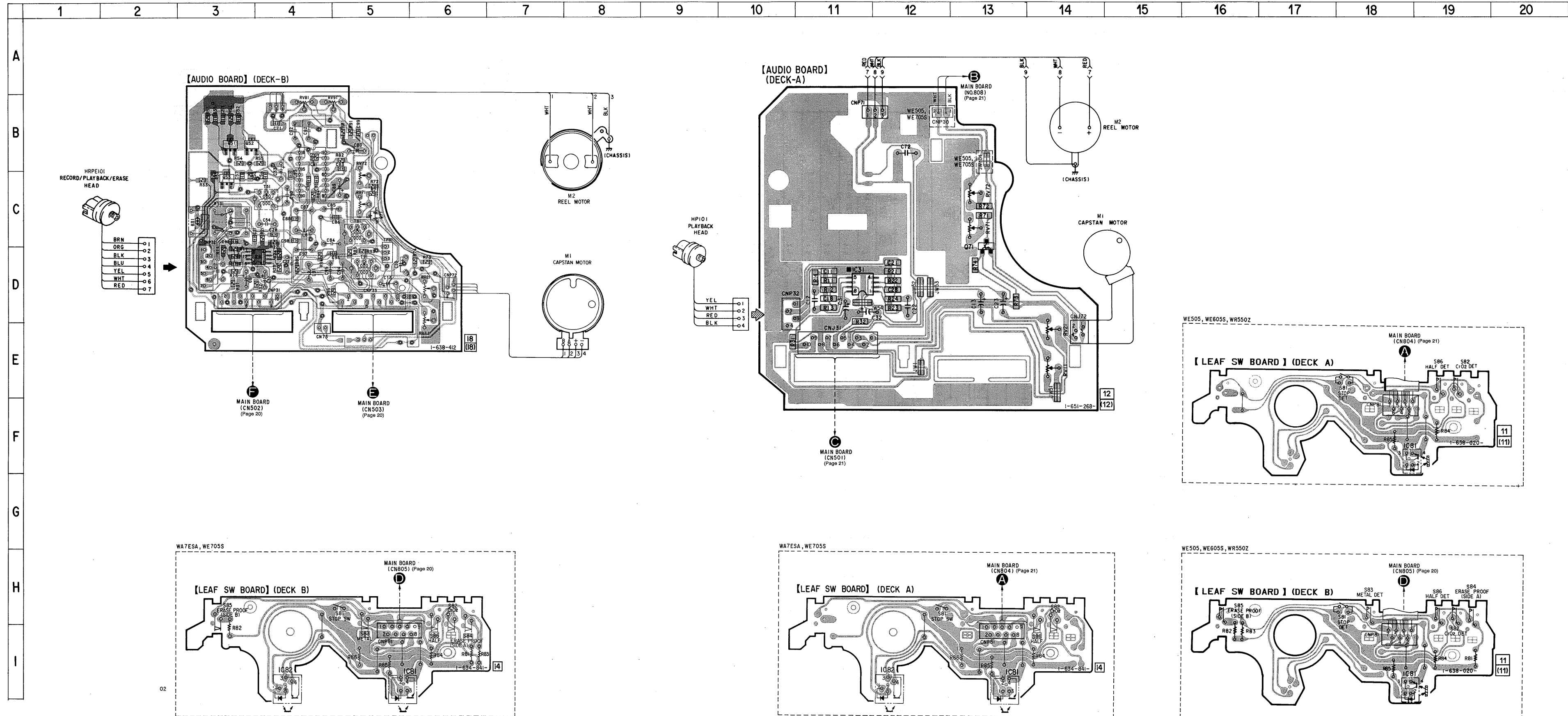
Note :

- All capacitors are in μF unless otherwise noted. pF: μF 50WV or less are not indicated except for electrolytics and tantalums.
- All resistors are in Ω and $\frac{1}{2}W$ or less unless otherwise specified.
- [B+] : B+ Line
- [B-] : B- Line
- [] : adjustment for repair.
- Waveforms are taken with an oscilloscope. Voltage variations may be noted due to normal production tolerances.
- Circled numbers refer to waveforms.
- Signal path:
 - : PB (DECK A)
 - : PB (DECK B)
 - : REC (DECK B)
- Voltage and waveforms are dc with respect to ground under no-signal conditions.
- no mark : STOP
- () : REC
- Voltages are taken with a VOM (Input impedance 10M Ω). Voltage variations may be noted due to normal production tolerances.

• WAVEFORMS - AUDIO SECTION -



5-6. PRINTED WIRING BOARDS (AUDIO SECTION)



● SEMICONDUCTOR LOCATION (DECK-A)

Ref. No.	Location
IC31	D-11
IC81 (LEAF SW)	F-18
IC81 (LEAF SW)	I-13
IC82 (LEAF SW)	I-12
Q71	C-13

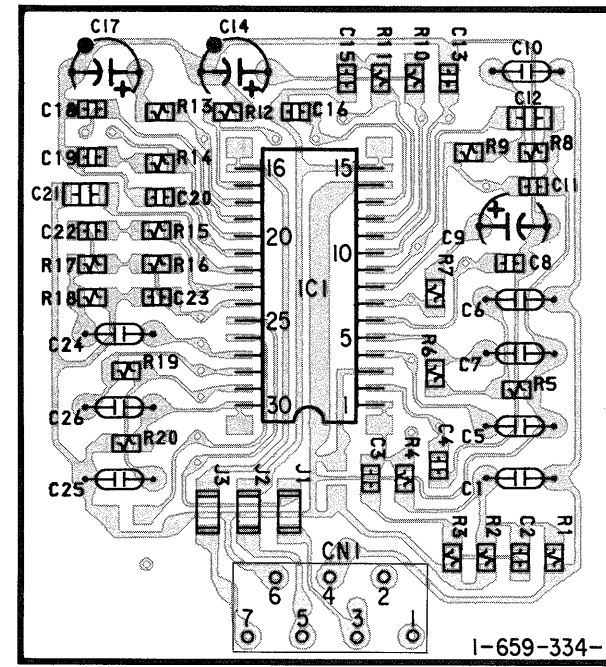
(DECK-B)

Ref. No.	Location
D31	C-3
IC31	D-4
IC81 (AUDIO)	B-4
IC81 (LEAF SW)	I-5
IC81 (LEAF SW)	I-18
IC82 (LEAF SW)	I-4
Q51	B-3
Q52	B-3
Q53	C-3
Q71	C-5

Note:
 ○ : parts extracted from the component side.
 ● : Through hole.
 [Pattern] : Pattern on the side which is seen.
 [Pattern] : Pattern of the rear side.

5-7. PRINTED WIRING BOARDS (DOLBY SECTION)
(EXCEPT WE505)

[DOLBY S BOARD]

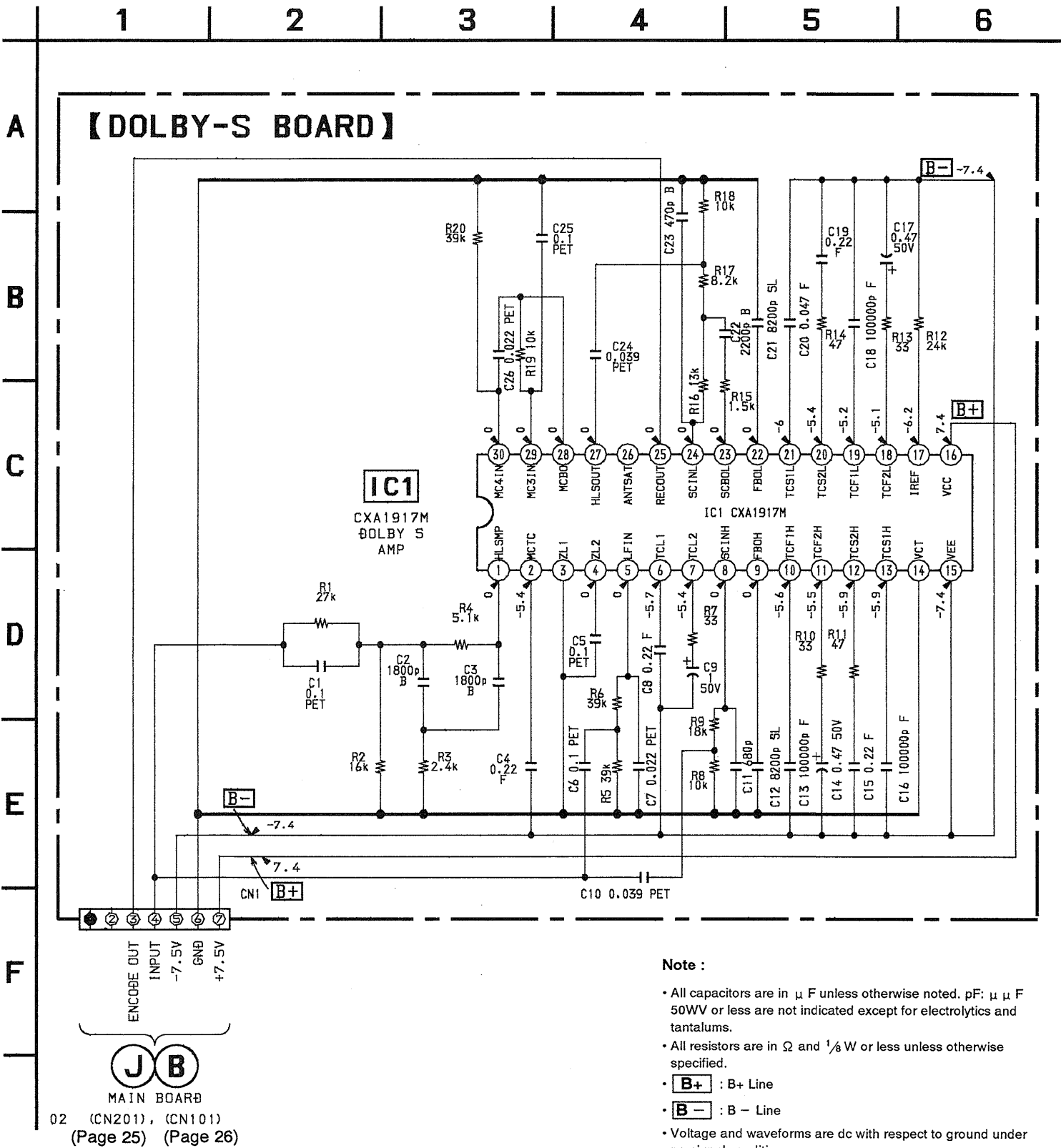


12
(12)

(Page 19) **G** **H** (Page 19)
MAIN BOARD
CN101, 201

Note:
○ — : parts extracted from the component side.
⊞ : Pattern on the side which is seen.

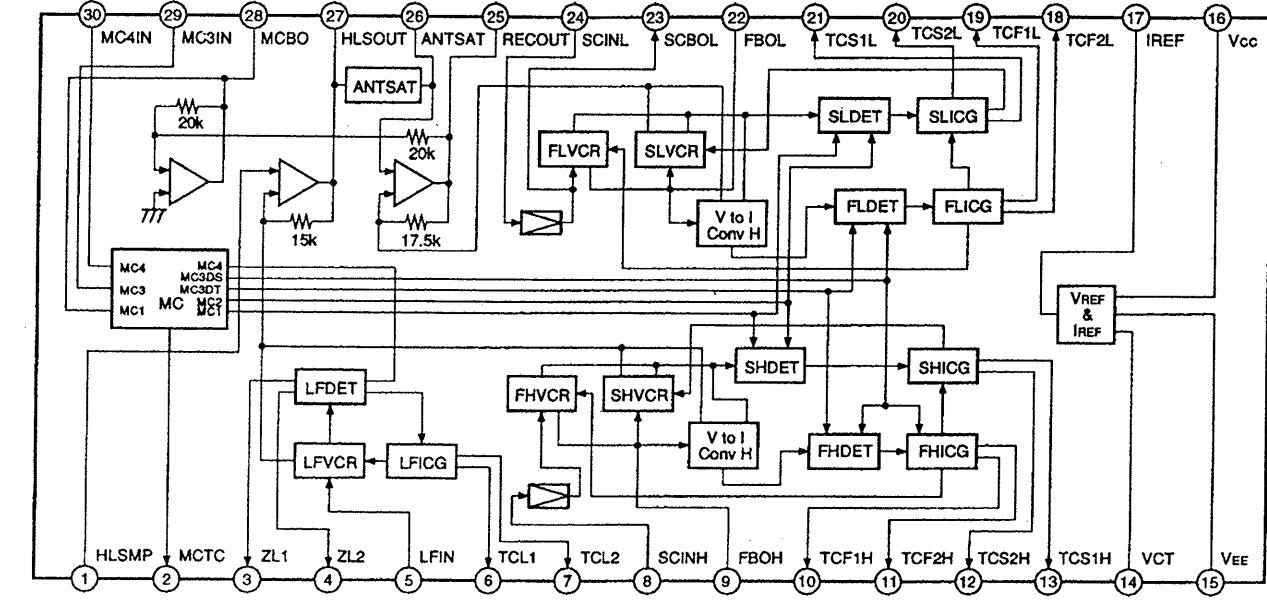
5-8. SCHEMATIC DIAGRAM (DOLBY SECTION)
(EXCEPT WE505)



Note:
• All capacitors are in μF unless otherwise noted. pF : $\mu \mu F$
50WV or less are not indicated except for electrolytics and tantalums.
• All resistors are in Ω and $\frac{1}{8}W$ or less unless otherwise specified.
• **B+** : B+ Line
• **B-** : B - Line
• Voltage and waveforms are dc with respect to ground under no-signal conditions.
no mark : STOP
• Voltages are taken with a VOM (Input impedance $10M \Omega$).
Voltage variations may be noted due to normal production tolerances.
• Voltage variations may be noted due to normal production tolerances.

J **B**
MAIN BOARD
02 (CN201), (CN101)
(Page 25) (Page 26)

• IC BLOCK DIAGRAM
IC1 CXA1917M-T6



SECTION 6 EXPLODED VIEWS

NOTE :

- -XX, -X mean standardized parts, so they may have some difference from the original one.
- Items marked “ * ” are not stocked since they are seldom required for routine service. Some delay should be anticipated when ordering these items.

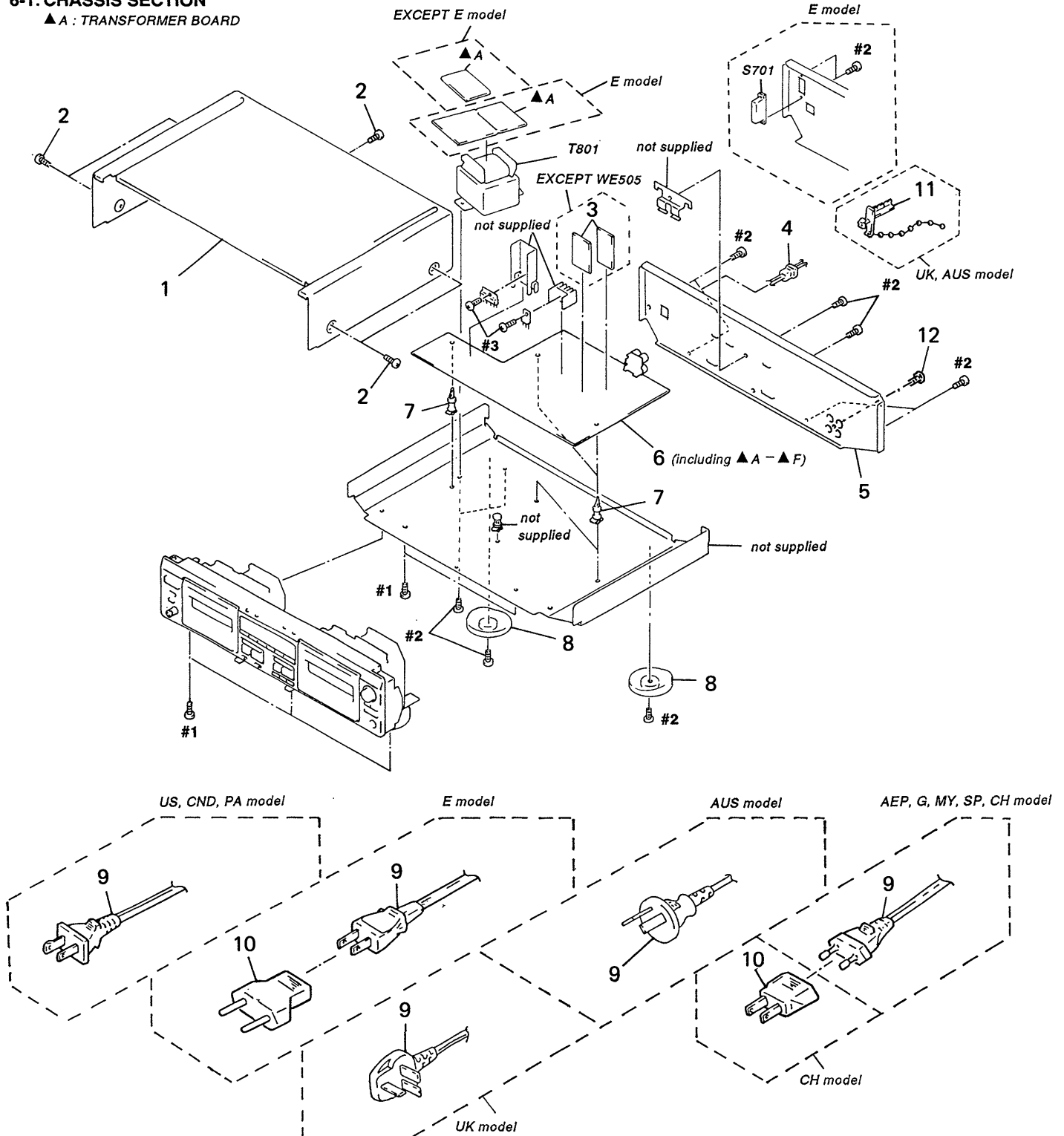
- The mechanical parts with no reference number in the exploded views are not supplied.
- Hardware (# mark) list and accessories and packing materials are given in the last of this parts list.
- Abbreviation
 CND : Canadian G : German
 AUS : Australian MY : Malaysia
 SP : Singapore CH : Chinese
 PA : Panama

The components identified by mark Δ or dotted line with mark Δ are critical for safety. Replace only with part number specified.

Les composants identifiés par une marque Δ sont critiques pour la sécurité. Ne les remplacer que par une pièce portant le numéro spécifié.

6-1. CHASSIS SECTION

▲ A : TRANSFORMER BOARD

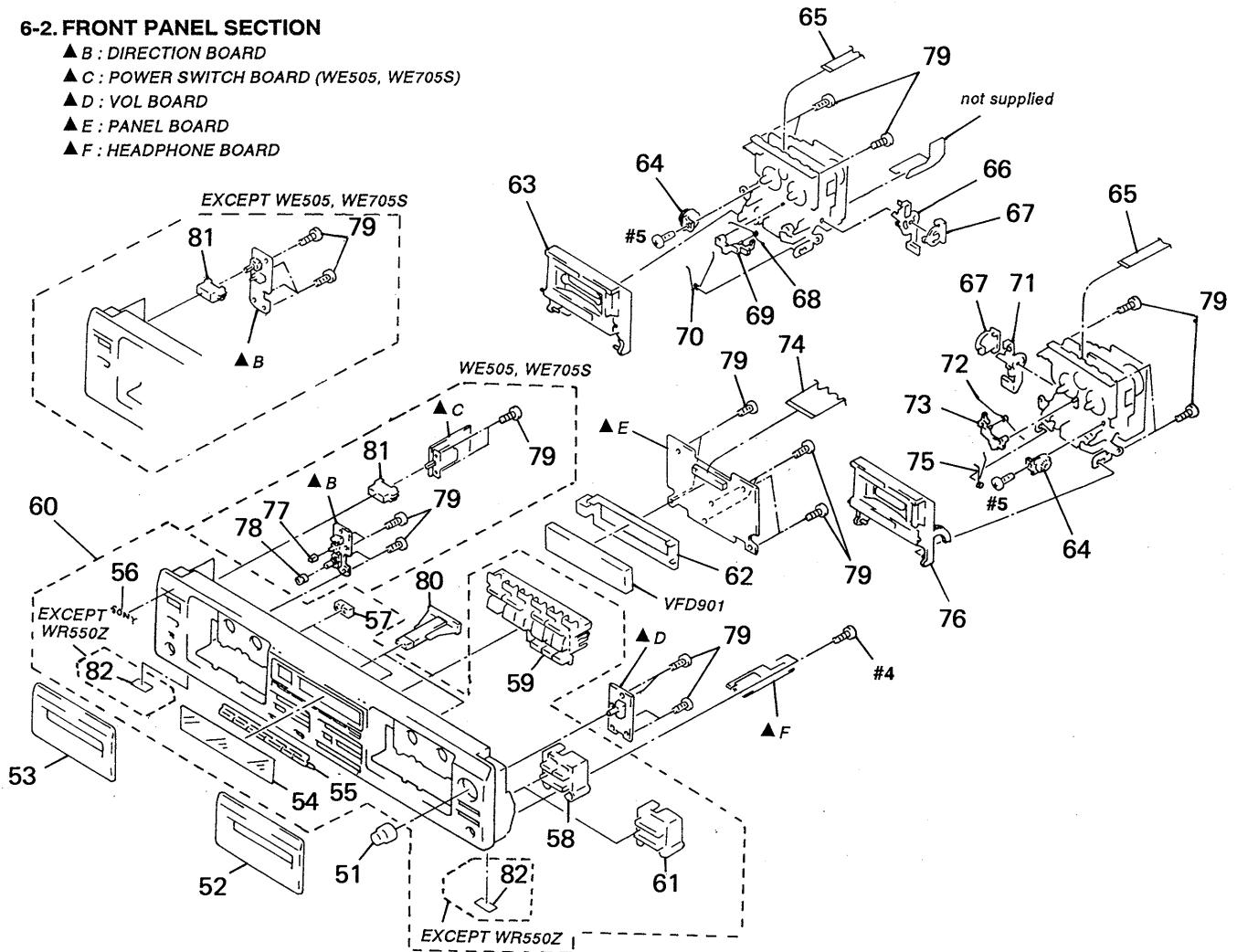


Ref. No.	Part No.	Description	Remark
* 1	3-931-432-01	CASE (410726) (WA7ESA,WE605S,WR550Z)	
* 1	4-943-088-41	CASE (WE505,WE705S)	
2	3-363-099-01	SCREW (CASE 3 TP2)(WE505,WE705S)	
2	3-704-366-01	SCREW (CASE) (M3X8) (WA7ESA,WE605S, WR550Z)	
* 3	A-2007-481-A	DOLBY-S BOARD, COMPLETE (EXCEPT WE505)	
* 4	3-703-244-11	BUSHING (2104), CORD (AEP,UK,G,E,AUS, MY,SP, CH,)	
4	3-703-571-11	BUSHING (S) (4516), CORD (US,CND,E,PA)	
* 5	3-920-372-21	PANEL, BACK (WE505:UK)	
* 5	3-931-244-01	PANEL, BACK (WE605S:US,PA)	
* 5	3-931-244-11	PANEL, BACK (WE605S:CND)	
* 5	3-931-244-21	PANEL, BACK (WE605S:E)	
* 5	3-931-244-31	PANEL, BACK (WE605S:AUS)	
* 5	3-931-244-41	PANEL, BACK (WE605S:MY,SP,CH)	
* 5	3-931-245-01	PANEL, BACK (WE505:AEP,G)	
* 5	3-931-245-21	PANEL, BACK (WR550Z)	
* 5	3-931-246-01	PANEL, BACK (WE705S)	
* 5	3-932-543-01	PANEL, BACK (WA7ESA:US)	
* 5	3-932-543-11	PANEL, BACK (WA7ESA:CND)	
* 6	A-2007-491-A	MAIN BOARD, COMPLETE (WE605S:US,CND, PA)	
* 6	A-2007-492-A	MAIN BOARD, COMPLETE (WE605S:E)	
* 6	A-2007-493-A	MAIN BOARD, COMPLETE (WE605S:AUS)	

Ref. No.	Part No.	Description	Remark
* 6	A-2007-494-A	MAIN BOARD, COMPLETE (WE505)	
* 6	A-2007-495-A	MAIN BOARD, COMPLETE (WE705S)	
* 6	A-2007-513-A	MAIN BOARD, COMPLETE (WA7ESA)	
* 6	A-2007-547-A	MAIN BOARD, COMPLETE (WR550Z)	
* 6	A-2007-576-A	MAIN BOARD, COMPLETE (WE605S:MY,SP,CH)	
* 7	3-346-265-31	HOLDER, PC BOARD	
8	X-3371-435-1	FOOT ASSY (F50150S) (AEP,UK,G,E,AUS,MY,SP, CH)	
8	X-3371-436-1	FOOT ASSY (F50145S) (US,CND,PA)	
△ 9	1-551-188-99	CORD, POWER (E)	
△ 9	1-558-945-21	CORD, POWER (POLAR.SPT-1) (US,CND,PA)	
△ 9	1-575-651-21	CORD, POWER (AEP,G,MY,SP,CH)	
△ 9	1-696-586-11	CORD, POWER (UK)	
△ 9	1-696-845-11	CORD, POWER (AUS)	
△ 10	1-569-007-11	ADAPTER, CONVERSION 2P (E)	
△ 10	1-569-008-21	ADAPTER, CONVERSION 2P (CH)	
11	4-956-370-12	BAND, PLUG FIXED (UK,AUS)	
12	3-704-515-01	SCREW (BV,RING) (WE505,WE705S)	
△ S701	1-692-155-11	SELECTOR, POWER VOLTAGE (VOLTAGE SELECTOR) (E)	
△ T801	1-427-782-11	TRANSFORMER, POWER (US,CND,PA)	
△ T801	1-427-783-11	TRANSFORMER, POWER (AEP,UK,G,AUS,MY,SP, CH)	
△ T801	1-427-784-11	TRANSFORMER, POWER (E)	

6-2. FRONT PANEL SECTION

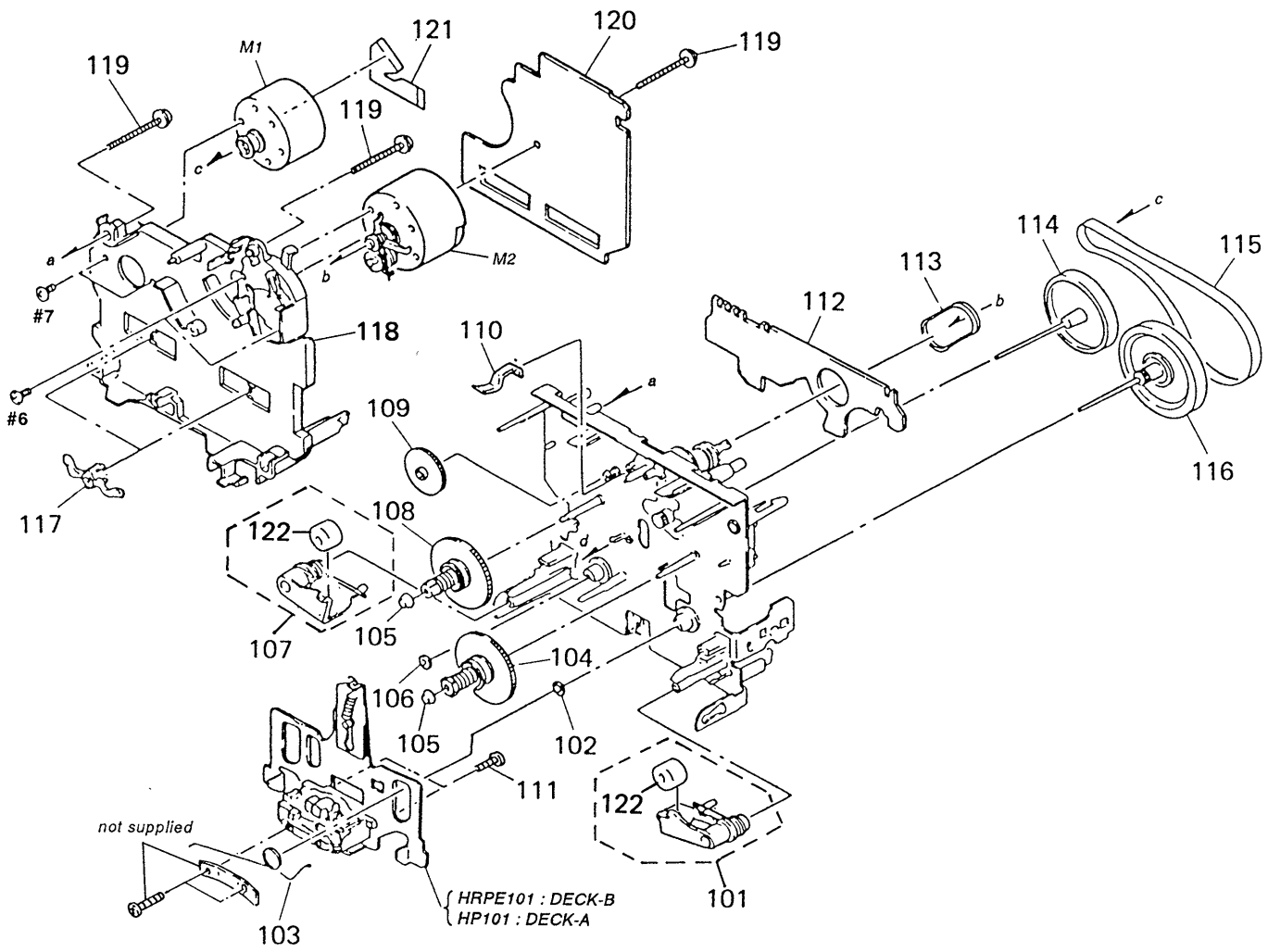
- ▲ B : DIRECTION BOARD
- ▲ C : POWER SWITCH BOARD (WE505, WE705S)
- ▲ D : VOL BOARD
- ▲ E : PANEL BOARD
- ▲ F : HEADPHONE BOARD



Ref. No.	Part No.	Description	Remark	Ref. No.	Part No.	Description	Remark
51	3-909-661-21	KNOB (REC) (WE505,WE705S)		64	3-354-963-01	DAMPER	
51	3-931-430-11	KNOB (REC) (WA7ESA,WE605S,WR550Z)		65	1-769-882-11	WIRE (FLAT TYPE) (7 CORE) (WE505,WE605S,WR550Z)	
52	X-3371-367-1	LID (HF) ASSY (B), CASSETTE (EXCEPT WA7ESA)		65	1-769-912-11	WIRE (FLAT TYPE) (9 CORE) (WA7ESA,WE705S)	
52	X-3371-572-1	LID (ES) ASSY (B), CASSETTE (WA7ESA)		* 66	3-354-953-01	LEVER (LOCK LEVER L)	
53	X-3371-366-1	LID (HF) ASSY (A), CASSETTE (EXCEPT WA7ESA)		67	3-354-957-01	JOINT (LOCK LEVER)	
53	X-3371-571-1	LID (ES) ASSY (A), CASSETTE (WA7ESA)		68	3-354-961-01	SPRING (EJ SAFTY SPRING L)	
54	3-931-248-01	WINDOW (M) (EXCEPT WA7ESA:CND)		69	3-354-955-01	LEVER (EJ SAFTY LEVER L)	
54	3-931-248-31	WINDOW (M) (WA7ESA:CND)		70	4-959-231-11	SPRING (L), TORSION	
55	3-931-237-01	BUTTON (RMS-6)		* 71	3-354-954-01	LEVER (LOCK LEVER R)	
56	4-963-404-21	EMBLEM (5-A), SONY		72	3-354-962-01	SPRING (EJ SAFTY SPRING R)	
57	3-931-243-01	BUTTON (COUNTER)		73	3-354-956-01	LEVER (EJ SAFTY LEVER R)	
58	X-3371-370-1	BUTTON (SYNCHRO) ASSY (WE705S,WE605S)		74	1-769-598-11	WIRE (FLAT TYPE) (41 CORE)	
59	3-931-239-01	BUTTON (SR)		75	4-959-232-11	SPRING (R), TORSION	
60	X-3371-355-1	PANEL (HF) ASSY, FRONT (WE605S:US,CND,PA)		76	X-4945-946-1	HOLDER (R) ASSY, CASSETTE	
60	X-3371-356-1	PANEL (HF) ASSY, FRONT (WE605S:E,AUS,MY,SP,CH)		77	3-380-952-21	BUTTON (5X5)	
60	X-3371-357-1	PANEL ASSY, FRONT (WR550Z)		78	3-931-378-01	KNOB (F10) (WE505,WE705S)	
60	X-3371-358-1	PANEL ASSY, FRONT (WE505)		79	4-951-620-01	SCREW (2.6X8), +BVTP	
60	X-3371-361-1	PANEL ASSY, FRONT (WE705S)		80	3-377-328-11	BUTTON (EJECT) (WE505,WE705S)	
60	X-3371-567-1	PANEL (ES) ASSY, FRONT (WA7ESA:US)		80	3-931-427-11	BUTTON (EJ) (WA7ESA,WE605S,WR550Z)	
60	X-3371-568-1	PANEL (ES) ASSY, FRONT (WA7ESA:CND)		81	3-354-932-01	BUTTON (POWER) (WE505,WE705S)	
61	3-931-242-01	BUTTON (ARL) (WA7ESA,WE505,WR550Z)		81	3-931-429-01	BUTTON (POWER) (WE605S,WR550Z)	
* 62	3-377-337-11	HOLDER (FL)		81	4-922-921-31	BUTTON (POWER) (WA7ESA)	
63	X-4945-947-1	HOLDER (L) ASSY, CASSETTE		82	4-977-358-01	CUSHION (8X12.5) (EXCEPT WR550Z)	
				VFD901	1-517-263-11	INDICATOR TUBE, FLUORESCENT	

6-3. MECHANISM SECTION 1

- DECK-A (TC-WE605S/WR550Z : TCM-190RA12CL
 TC-WE505 : TCM-190RA14CL
 TC-WA7ESA : TCM-190RA17CL
 TC-WE705S : TCM-190RA18C)
 DECK-B (TC-WA7ESA/WE705S : TCM-190RB11C
 TC-WE505/WE605S/WR550Z : TCM-190RB12CL)

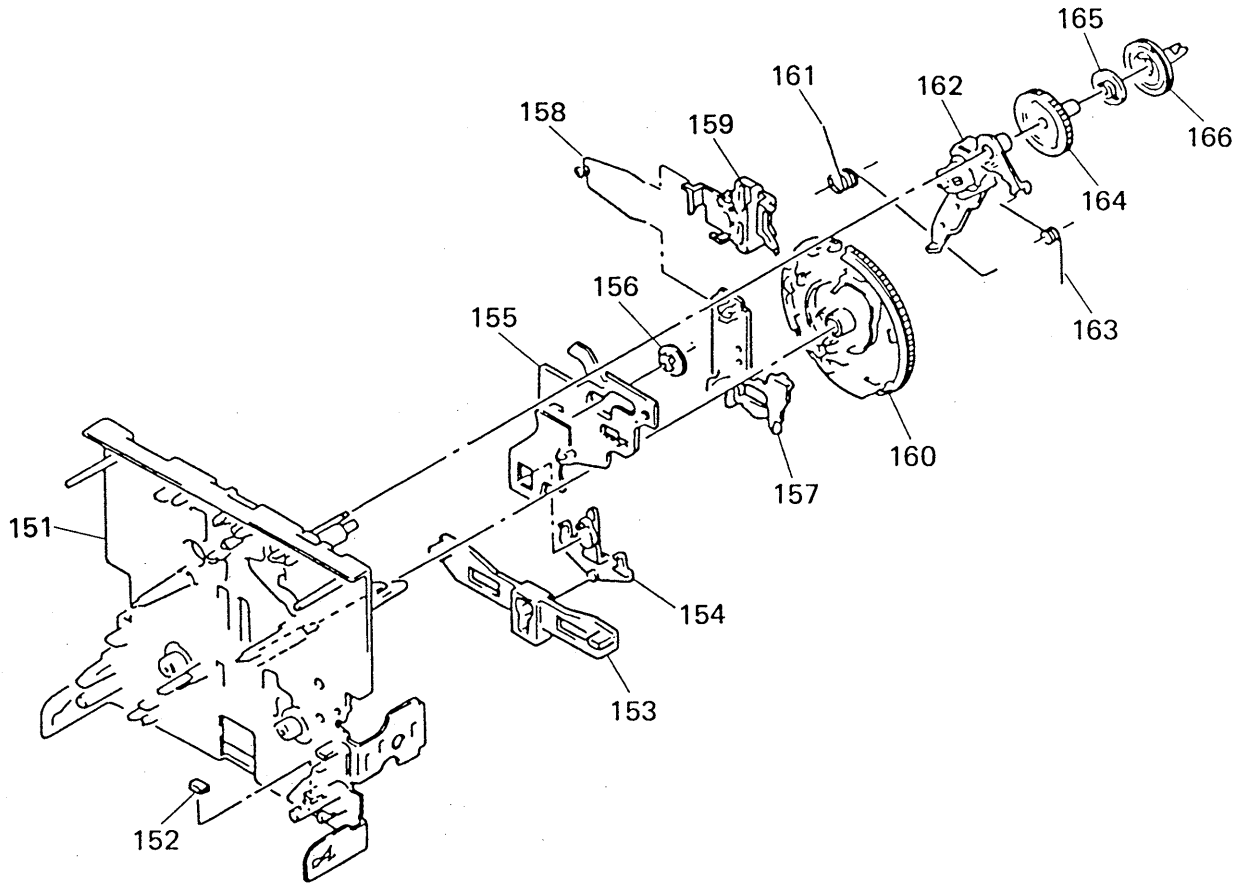


Ref. No.	Part No.	Description	Remark
101	X-3366-047-1	LEVER (PINCH F) ASSY	
102	3-356-713-01	WASHER	
103	3-907-362-01	SPRING, TORSION	
104	X-3366-970-1	TABLE ASSY, REEL (WE505,WE605S,WR550Z)	
104	X-3366-971-1	TABLE ASSY, REEL (WA7ESA,WE705S)	
105	3-362-308-01	CAP (REEL)	
106	3-356-714-01	WASHER	
107	X-3366-048-1	LEVER (PINCH R) ASSY	
108	X-3366-971-1	TABLE ASSY (B), REEL	
109	3-359-424-01	GEAR (REV GEAR)	
110	3-359-430-01	SPRING (CASSETTE RETAINER),LEAF	
111	3-388-848-01	SCREW (P2X6) (B TIGHT)	
* 112	1-634-841-14	LEAF SW BOARD (DECK A) (WA7ESA,WE705S)	
* 112	1-638-020-11	LEAF SW BOARD (DECK A) (WE505,WE605S,WR550Z)	
* 112	1-634-841-14	LEAF SW BOARD (DECK B) (WA7ESA,WE705S)	
* 112	1-638-020-11	LEAF SW BOARD (DECK B) (WE505,WE605S,WR550Z)	
113	3-359-466-01	BELT (FR), SQUARE	
114	X-3367-630-1	FLYWHEEL (REV) ASSY	
115	3-359-417-01	BELT (FLAT), CAPSTAN	

Ref. No.	Part No.	Description	Remark
116	X-3367-629-1	FLYWHEEL (FWD) ASSY	
117	3-575-321-00	RETAINER, THRUST, CAPSTAN	
118	3-359-436-11	BASE (THRUST RETAINER),FITTING	
119	3-359-414-01	SCREW (+PTPWH 2X23)	
* 120	A-2007-040-A	AUDIO BOARD, COMPLETE (DECK B)	
* 120	A-2007-266-A	AUDIO BOARD, COMPLETE (DECK A) (WE605S,WR550Z)	
* 120	A-2007-339-A	AUDIO BOARD, COMPLETE (DECK A) (WE505)	
* 120	A-2007-479-A	AUDIO BOARD, COMPLETE (DECK A) (WA7ESA)	
* 120	A-2007-480-A	AUDIO BOARD, COMPLETE (DECK A) (WE705S)	
121	1-638-983-11	MOTOR FLEXIBLE BOARD	
122	3-355-808-02	PINCH ROLLER	
HP101	A-2004-526-A	DECK ASSY, HEAD (PLAYBACK) (WE505,WE605S,WR550Z)	
HP101	A-2004-548-A	DECK ASSY, HEAD (PLAYBACK) (WA7ESA,WE705S)	
HRPE101A-2004-527-A		DECK ASSY, HEAD (RECORD / PLAYBACK / ERASE)	
M1	X-3365-377-2	MOTOR ASSY (CAPSTAN)	
M2	X-3365-501-2	MOTOR ASSY (REEL)	

6-4. MECHANISM SECTION 2

DECK-A (TC-WE605S/WR550Z : TCM-190RA12CL
 TC-WE505 : TCM-190RA14CL
 TC-WA7ESA : TCM-190RA17CL
 TC-WE705S : TCM-190RA18C)
 DECK-B (TC-WA7ESA/WE705S : TCM-190RB11C
 TC-WE505/WE605S/WR550Z : TCM-190RB12CL)



Ref. No.	Part No.	Description	Remark	Ref. No.	Part No.	Description	Remark
151	X-3359-415-1	CHASSIS ASSY MECHANICAL		159	3-359-429-01	SLIDER (BRAKE PLATE)	
152	3-359-469-01	SPACER		* 160	3-936-483-01	GEAR (CAM GEAR)	
153	3-359-425-01	SLIDER (REVERSE SLIDER)		161	3-359-456-01	SPRING (TRIGGER SPRING), TORSION	
154	3-359-426-01	LEVER (REVERSE LEVER)		162	X-3366-569-1	ARM ASSY, FR	
* 155	3-359-415-01	SLIDER (TRIGGER SLIDER)		163	3-924-185-11	SPRING (FR ARM), TORSION	
156	3-359-448-01	GEAR (TRIGGER)		164	3-359-419-11	GEAR (FR GEAR)	
157	3-359-427-01	SLIDER (LEVERSE SLIDER)		165	3-359-421-01	CLUTCH (REEL DISK)	
158	3-359-454-01	SPRING, TORSION		166	3-359-418-01	PULLEY (FR PULLEY)	

SECTION 7 ELECTRICAL PARTS LIST

AUDIO (DECK A)

NOTE :

- Due to standardization, replacements in the parts list may be different from the parts specified in the diagrams or the components used on the set.
- -XX, -X mean standardized parts, so they may have some difference from the original one.
- RESISTORS
All resistors are in ohms
METAL : Metal-film resistor
METAL OXIDE :Metal oxide-film resistor
F : nonflammable
- Items marked " * " are not stocked since they are seldom required for routine service. Some delay should be anticipated when ordering these items.

● SEMICONDUCTORS

In each case, u : μ , for example :
uA..... : μ A..... , uPA..... : μ PA.....
uPB..... : μ PB..... , uPC..... : μ PC.....
uPD..... : μ PD.....

● CAPACITORS

uF : μ F

● COILS

uH : μ H

● Abbreviation

CND : Canadian
AUS : Australian
SP : Singapore
PA : Panama

G : German
MY : Malaysia
CH : Chinese

The components identified by mark Δ or dotted line with mark Δ are critical for safety.
Replace only with part number specified.

Les composants identifiés par une marque Δ sont critiques pour la sécurité.
Ne les remplacer que par une pièce portant le numéro spécifié.

When indicating parts by reference number, please include the board.

Ref. No.	Part No.	Description	Remark
*	A-2007-266-A	AUDIO BOARD, COMPLETE (DECK A)	(WE605S, WR550Z)
*	A-2007-339-A	AUDIO BOARD, COMPLETE (DECK A)	(WE505)
*	A-2007-479-A	AUDIO BOARD, COMPLETE (DECK A)	(WA7ESA)
*	A-2007-480-A	AUDIO BOARD, COMPLETE (DECK A)	(WE705S)

< CAPACITOR >			
C11	1-163-131-00	CERAMIC CHIP	390PF 5% 50V
C12	1-136-157-00	FILM	0.022uF 5% 50V
C13	1-124-234-00	ELECT	22uF 20% 16V
C18	1-163-251-11	CERAMIC CHIP	100PF 5% 50V
C21	1-163-131-00	CERAMIC CHIP	390PF 5% 50V
C22	1-136-157-00	FILM	0.022uF 5% 50V
C23	1-124-234-00	ELECT	22uF 20% 16V
C28	1-163-251-11	CERAMIC CHIP	100PF 5% 50V
C31	1-124-234-00	ELECT	22uF 20% 16V
C32	1-124-234-00	ELECT	22uF 20% 16V
C72	1-109-889-11	ELECT	1uF 20% 50V
< CONNECTOR >			
* CNJ31	1-580-782-11	CONNECTOR, BOARD TO BOARD	
CNJ72	1-764-902-11	CONNECTOR, FFC/FPC 4P	
* CNP30	1-564-718-11	PIN, CONNECTOR (SMALL TYPE) 2P	(WE505, WE705S)
* CNP32	1-580-772-11	PIN, CONNECTOR (PC BOARD) 4P	
* CNP71	1-564-719-11	PIN, CONNECTOR (SMALL TYPE) 3P	
< IC >			
IC31	8-759-106-02	IC uPC4570G2	
< JUMPER RESISTOR >			
JW1	1-216-295-00	METAL CHIP	0 5% 1/10W
JW51	1-216-296-00	METAL CHIP	0 5% 1/8W
JW52	1-216-296-00	METAL CHIP	0 5% 1/8W
JW53	1-216-296-00	METAL CHIP	0 5% 1/8W
JW54	1-216-296-00	METAL CHIP	0 5% 1/8W

Ref. No.	Part No.	Description	Remark
JW101	1-216-295-00	METAL CHIP	0 5% 1/10W (WE505,WE705S)
< TRANSISTOR >			
Q71	8-729-216-22	TRANSISTOR	2SA1162-G
< RESISTOR >			
R11	1-216-099-00	METAL CHIP	120K 5% 1/10W
R12	1-216-025-91	METAL GLAZE	100 5% 1/10W
R13	1-216-100-00	METAL GLAZE	130K 5% 1/10W
R14	1-216-069-00	METAL CHIP	6.8K 5% 1/10W (WA7ESA,WE705S)
R14	1-216-068-00	METAL CHIP	6.2K 5% 1/10W (WE505,WE605S,WR550Z)
R21	1-216-099-00	METAL CHIP	120K 5% 1/10W
R22	1-216-025-91	METAL GLAZE	100 5% 1/10W
R23	1-216-100-00	METAL GLAZE	130K 5% 1/10W
R24	1-216-069-00	METAL CHIP	6.8K 5% 1/10W (WA7ESA,WE705S)
R24	1-216-068-00	METAL CHIP	6.2K 5% 1/10W (WE505,WE605S,WR550Z)
R31	1-216-033-00	METAL CHIP	220 5% 1/10W
R32	1-216-033-00	METAL CHIP	220 5% 1/10W
R71	1-216-082-00	METAL GLAZE	24K 5% 1/10W
R72	1-216-081-00	METAL CHIP	22K 5% 1/10W
R73	1-216-089-91	METAL GLAZE	47K 5% 1/10W
R74	1-216-089-91	METAL GLAZE	47K 5% 1/10W
< VARIABLE RESISTOR >			
RV11	1-241-761-11	RES, ADJ, CARBON 1K	(PB LEVEL L)
RV21	1-241-761-11	RES, ADJ, CARBON 1K	(PB LEVEL R)
RV71	1-241-630-11	RES, ADJ, CARBON 10K	(TAPE SPEED(NORMAL))
RV72	1-241-630-11	RES, ADJ, CARBON 10K	(TAPE SPEED(HIGH))

AUDIO (DECK B)

Ref. No.	Part No.	Description	Remark	Ref. No.	Part No.	Description	Remark
*	A-2007-040-A	AUDIO BOARD, COMPLETE (DECK B) *****				< DIODE >	
		< CAPACITOR >		D31	8-719-404-46	DIODE MA110	
						< IC >	
C11	1-163-131-00	CERAMIC CHIP	390PF 5% 50V	IC31	8-759-106-02	IC uPC4570G2	
C12	1-136-157-00	FILM	0.022uF 5% 50V	IC81	8-759-106-56	IC uPC1297CA	
C13	1-124-234-00	ELECT	22uF 20% 16V			< COIL >	
C18	1-163-251-11	CERAMIC CHIP	100PF 5% 50V	L81	1-410-780-11	INDUCTOR 27mH	
C21	1-163-131-00	CERAMIC CHIP	390PF 5% 50V	L91	1-410-780-11	INDUCTOR 27mH	
C22	1-136-157-00	FILM	0.022uF 5% 50V			< TRANSISTOR >	
C23	1-124-234-00	ELECT	22uF 20% 16V	Q51	8-729-822-05	TRANSISTOR 2SD1622-ST-TD	
C28	1-163-251-11	CERAMIC CHIP	100PF 5% 50V	Q52	8-729-822-05	TRANSISTOR 2SD1622-ST-TD	
C31	1-124-234-00	ELECT	22uF 20% 16V	Q53	8-729-822-05	TRANSISTOR 2SD1622-ST-TD	
C32	1-124-234-00	ELECT	22uF 20% 16V	Q71	8-729-216-22	TRANSISTOR 2SA1162-G	
C33	1-124-234-00	ELECT	22uF 20% 16V			< RESISTOR >	
C51	1-164-161-11	CERAMIC CHIP	0.0022uF 10% 100V	R11	1-216-099-00	METAL CHIP 120K 5% 1/10W	
C52	1-164-161-11	CERAMIC CHIP	0.0022uF 10% 100V	R12	1-216-025-91	METAL GLAZE 100 5% 1/10W	
C53	1-163-019-00	CERAMIC CHIP	0.0068uF 10% 50V	R13	1-216-100-00	METAL GLAZE 130K 5% 1/10W	
C54	1-136-601-11	FILM	0.01uF 5% 630V	R14	1-216-068-00	METAL CHIP 6.2K 5% 1/10W	
C56	1-164-505-11	CERAMIC CHIP	2.2uF 16V	R21	1-216-099-00	METAL CHIP 120K 5% 1/10W	
C57	1-164-346-11	CERAMIC CHIP	1uF 16V	R22	1-216-025-91	METAL GLAZE 100 5% 1/10W	
C71	1-164-346-11	CERAMIC CHIP	1uF 16V	R23	1-216-100-00	METAL GLAZE 130K 5% 1/10W	
C80	1-124-234-00	ELECT	22uF 20% 16V	R24	1-216-068-00	METAL CHIP 6.2K 5% 1/10W	
C81	1-164-232-11	CERAMIC CHIP	0.01uF 50V	R31	1-216-033-00	METAL CHIP 220 5% 1/10W	
C82	1-136-157-00	FILM	0.022uF 5% 50V	R32	1-216-033-00	METAL CHIP 220 5% 1/10W	
C83	1-164-004-11	CERAMIC CHIP	0.1uF 10% 25V	R33	1-216-065-00	METAL CHIP 4.7K 5% 1/10W	
C84	1-136-478-11	FILM	470PF 5% 630V	R51	1-216-097-91	METAL GLAZE 100K 5% 1/10W	
C85	1-136-433-11	FILM	100PF 5% 630V	R52	1-216-097-91	METAL GLAZE 100K 5% 1/10W	
C86	1-163-143-00	CERAMIC CHIP	0.0012uF 5% 50V	R53	1-216-073-00	METAL CHIP 10K 5% 1/10W	
C87	1-136-273-91	FILM	75PF 5% 630V	R54	1-216-309-00	METAL CHIP 5.6 5% 1/10W	
C88	1-163-003-11	CERAMIC CHIP	330PF 10% 50V	R55	1-216-309-00	METAL CHIP 5.6 5% 1/10W	
C89	1-124-234-00	ELECT	22uF 20% 16V	R57	1-216-298-00	METAL CHIP 2.2 5% 1/10W	
C90	1-107-584-11	CERAMIC	4PF 0.25PF500V	R71	1-216-082-00	METAL GLAZE 24K 5% 1/10W	
C91	1-164-232-11	CERAMIC CHIP	0.01uF 50V	R72	1-216-081-00	METAL CHIP 22K 5% 1/10W	
C92	1-136-157-00	FILM	0.022uF 5% 50V	R73	1-216-089-91	METAL GLAZE 47K 5% 1/10W	
C93	1-164-004-11	CERAMIC CHIP	0.1uF 10% 25V	R74	1-216-089-91	METAL GLAZE 47K 5% 1/10W	
C94	1-136-478-11	FILM	470PF 5% 630V	R81	1-216-073-00	METAL CHIP 10K 5% 1/10W	
C95	1-136-433-11	FILM	100PF 5% 630V	R82	1-216-085-00	METAL CHIP 33K 5% 1/10W	
C96	1-163-143-00	CERAMIC CHIP	0.0012uF 5% 50V	R83	1-216-001-00	METAL CHIP 10 5% 1/10W	
C97	1-136-273-91	FILM	75PF 5% 630V	R84	1-216-101-00	METAL CHIP 150K 5% 1/10W	
C98	1-163-003-11	CERAMIC CHIP	330PF 10% 50V	R85	1-216-075-00	METAL CHIP 12K 5% 1/10W	
C99	1-164-005-11	CERAMIC CHIP	0.47uF 25V	R91	1-216-073-00	METAL CHIP 10K 5% 1/10W	
		< CONNECTOR >		R92	1-216-085-00	METAL CHIP 33K 5% 1/10W	
* CNP31	1-580-782-11	CONNECTOR, BOARD TO BOARD		R93	1-216-001-00	METAL CHIP 10 5% 1/10W	
* CNP32	1-580-781-11	PIN, CONNECTOR (PC BOARD) 7P		R94	1-216-101-00	METAL CHIP 150K 5% 1/10W	
* CNP33	1-580-782-11	CONNECTOR, BOARD TO BOARD		R95	1-216-075-00	METAL CHIP 12K 5% 1/10W	
* CNP71	1-564-719-11	PIN, CONNECTOR (SMALL TYPE) 3P					
CNP72	1-764-902-11	CONNECTOR, FFC/FPC 4P					
* CNP75	1-564-718-11	PIN, CONNECTOR (SMALL TYPE) 2P					

AUDIO (DECK B) DOLBY-S MAIN DIRECTION

HEADPHONE PANEL POWER SWITCH TRANSFORMER VOL

Ref. No.	Part No.	Description	Remark
< VARIABLE RESISTOR >			
RV11	1-241-761-11	RES, ADJ, CARBON 1K (PB LEVEL L)	
RV21	1-241-761-11	RES, ADJ, CARBON 1K (PB LEVEL R)	
RV71	1-241-630-11	RES, ADJ, CARBON 10K (TAPE SPEED (NORMAL))	
RV72	1-241-630-11	RES, ADJ, CARBON 10K (TAPE SPEED (HIGH))	
RV81	1-241-786-11	RES, ADJ, CARBON 22K (REC BIAS L)	
RV91	1-241-786-11	RES, ADJ, CARBON 22K (REC BIAS R)	
< RELAY >			
RY31	1-515-913-11	RELAY	
< TRANSFORMER >			
T51	1-406-417-11	COIL, BIAS OSCILLATION	
T81	1-433-381-11	TRANSFORMER, BIAS OSCILLATOR	
T91	1-433-381-11	TRANSFORMER, BIAS OSCILLATOR	
< TEST PIN >			
* TP81	1-568-449-11	HOUSING, CONNECTOR(PC BOARD)3P	

* A-2007-481-A	DOLBY-S BOARD, COMPLETE (EXCEPT WE505)		

< CAPACITOR > : (EXCEPT WE505)			
C1	1-136-165-00	FILM	0.1uF 5% 50V
C2	1-163-012-00	CERAMIC CHIP	0.0018uF 10% 50V
C3	1-163-012-00	CERAMIC CHIP	0.0018uF 10% 50V
C4	1-164-222-11	CERAMIC CHIP	0.22uF 25V
C5	1-136-165-00	FILM	0.1uF 5% 50V
C6	1-136-165-00	FILM	0.1uF 5% 50V
C7	1-137-372-11	FILM	0.022uF 5% 50V
C8	1-164-222-11	CERAMIC CHIP	0.22uF 25V
C9	1-126-301-11	ELECT	1uF 20% 50V
C10	1-137-442-11	FILM	0.039uF 5% 50V
C11	1-163-007-11	CERAMIC CHIP	680PF 10% 50V
C12	1-164-717-11	CERAMIC CHIP	0.0082uF 5% 50V
C13	1-163-038-91	CERAMIC CHIP	0.1uF 25V
C14	1-124-465-00	ELECT	0.47uF 20% 50V
C15	1-164-222-11	CERAMIC CHIP	0.22uF 25V
C16	1-163-038-91	CERAMIC CHIP	0.1uF 25V
C17	1-124-465-00	ELECT	0.47uF 20% 50V
C18	1-163-038-91	CERAMIC CHIP	0.1uF 25V
C19	1-164-222-11	CERAMIC CHIP	0.22uF 25V
C20	1-163-035-00	CERAMIC CHIP	0.047uF 50V
C21	1-164-717-11	CERAMIC CHIP	0.0082uF 5% 50V
C22	1-164-161-11	CERAMIC CHIP	0.0022uF 10% 100V
C23	1-163-005-11	CERAMIC CHIP	470PF 10% 50V
C24	1-137-442-11	FILM	0.039uF 5% 50V
C25	1-136-165-00	FILM	0.1uF 5% 50V
C26	1-137-372-11	FILM	0.022uF 5% 50V

Ref. No.	Part No.	Description	Remark
< CONNECTOR > : (EXCEPT WE505)			
CN1	1-695-092-11	SOCKET, CONNECTOR 7P	
< IC > : (EXCEPT WE505)			
IC1	8-752-075-57	IC CXA1917M-T6	
< JUMPER RESISTOR > : (EXCEPT WE505)			
J1	1-216-296-00	METAL CHIP	0 5% 1/8W
J2	1-216-296-00	METAL CHIP	0 5% 1/8W
J3	1-216-296-00	METAL CHIP	0 5% 1/8W
< RESISTOR > : (EXCEPT WE505)			
R1	1-216-685-11	METAL CHIP	27K 0.5% 1/10W
R2	1-208-811-11	METAL GLAZE	16K 2% 1/10W
R3	1-208-791-11	METAL GLAZE	2.4K 2% 1/10W
R4	1-208-799-11	METAL GLAZE	5.1K 2% 1/10W
R5	1-216-689-11	METAL CHIP	39K 0.5% 1/10W
R6	1-216-689-11	METAL CHIP	39K 0.5% 1/10W
R7	1-216-615-11	METAL CHIP	33 0.5% 1/10W
R8	1-208-462-41	METAL GLAZE	10K 2% 1/10W
R9	1-208-812-11	METAL GLAZE	18K 2% 1/10W
R10	1-216-615-11	METAL CHIP	33 0.5% 1/10W
R11	1-216-619-11	METAL CHIP	47 0.5% 1/10W
R12	1-216-684-11	METAL CHIP	24K 0.5% 1/10W
R13	1-216-615-11	METAL CHIP	33 0.5% 1/10W
R14	1-216-619-11	METAL CHIP	47 0.5% 1/10W
R15	1-216-655-11	METAL CHIP	1.5K 0.5% 1/10W
R16	1-216-678-11	METAL CHIP	13K 0.5% 1/10W
R17	1-216-673-11	METAL CHIP	8.2K 0.5% 1/10W
R18	1-208-462-41	METAL GLAZE	10K 2% 1/10W
R19	1-208-462-41	METAL GLAZE	10K 2% 1/10W
R20	1-216-689-11	METAL CHIP	39K 0.5% 1/10W

* A-2007-491-A	MAIN BOARD, COMPLETE (WE605S:US,CND, PA)		
* A-2007-492-A	MAIN BOARD, COMPLETE (WE605S:E)		
* A-2007-493-A	MAIN BOARD, COMPLETE (WE605S:AUS)		
* A-2007-494-A	MAIN BOARD, COMPLETE (WE505)		
* A-2007-495-A	MAIN BOARD, COMPLETE (WE705S)		
* A-2007-513-A	MAIN BOARD, COMPLETE (WA7ESA)		
* A-2007-547-A	MAIN BOARD, COMPLETE (WR550Z)		
* A-2007-576-A	MAIN BOARD, COMPLETE (WE605S:MY,SP,CH)		

DIRECTION BOARD			

HEADPHONE BOARD			

PANEL BOARD			

POWER SWITCH BOARD			

TRANSFORMER BOARD			

Ref. No.	Part No.	Description	Remark
		VOL BOARD *****	
*	3-377-337-11	HOLDER (FL)	
	7-685-646-79	SCREW +BVTP 3X8 TYPE2 IT-3	
	7-685-871-01	SCREW +BVTT 3X6 (S) (EXCEPT WA7ESA)	
		< CAPACITOR >	
△ C001	1-113-925-11	ELECT	0.01uF 20% 250V (WE505,WE705S)
C002	1-161-494-00	CERAMIC	0.022uF 25V
C102	1-124-925-11	ELECT	2.2uF 20% 100V
C103	1-162-600-11	CERAMIC	0.0047uF 20% 16V
C104	1-126-963-11	ELECT	4.7uF 20% 50V
C106	1-126-963-11	ELECT	4.7uF 20% 50V
C107	1-126-964-11	ELECT	10uF 20% 50V
C108	1-137-399-11	FILM	0.1uF 5% 50V
C109	1-137-375-11	FILM	0.068uF 5% 50V
C110	1-126-964-11	ELECT	10uF 20% 50V
C111	1-124-902-00	ELECT	0.47uF 20% 50V
C112	1-126-963-11	ELECT	4.7uF 20% 50V
C113	1-126-963-11	ELECT	4.7uF 20% 50V
C114	1-124-925-11	ELECT	2.2uF 20% 100V
C116	1-137-436-11	FILM	0.0039uF 5% 50V
C202	1-124-925-11	ELECT	2.2uF 20% 100V
C203	1-162-600-11	CERAMIC	0.0047uF 20% 16V
C204	1-126-963-11	ELECT	4.7uF 20% 50V
C206	1-126-963-11	ELECT	4.7uF 20% 50V
C207	1-126-964-11	ELECT	10uF 20% 50V
C208	1-137-399-11	FILM	0.1uF 5% 50V
C209	1-137-375-11	FILM	0.068uF 5% 50V
C210	1-126-964-11	ELECT	10uF 20% 50V
C211	1-124-902-00	ELECT	0.47uF 20% 50V
C212	1-126-963-11	ELECT	4.7uF 20% 50V
C213	1-126-963-11	ELECT	4.7uF 20% 50V
C214	1-124-925-11	ELECT	2.2uF 20% 100V
C216	1-137-436-11	FILM	0.0039uF 5% 50V
C505	1-124-903-11	ELECT	1uF 20% 50V
C506	1-137-374-11	FILM	0.047uF 5% 50V
C507	1-136-166-00	FILM	0.12uF 5% 50V
C508	1-124-902-00	ELECT	0.47uF 20% 50V
C509	1-126-965-11	ELECT	22uF 20% 50V
C510	1-124-903-11	ELECT	1uF 20% 50V
C511	1-126-916-11	ELECT	1000uF 20% 6.3V
C514	1-126-935-11	ELECT	470uF 20% 16V
C515	1-126-952-11	ELECT	1000uF 20% 16V
C516	1-124-902-00	ELECT	0.47uF 20% 50V
C517	1-162-294-31	CERAMIC	0.001uF 10% 50V
C518	1-162-294-31	CERAMIC	0.001uF 10% 50V
C521	1-137-457-11	FILM	0.0027uF 5% 50V
C522	1-130-494-11	MYLAR	0.082uF 5% 50V
C523	1-137-374-11	FILM	0.047uF 5% 50V
C524	1-137-366-11	FILM	0.0022uF 5% 50V

Ref. No.	Part No.	Description	Remark
C531	1-136-168-00	FILM	0.18uF 5% 50V
C532	1-137-370-11	FILM	0.01uF 5% 50V
C533	1-136-175-00	FILM	0.68uF 5% 50V
C601	1-164-159-11	CERAMIC	0.1uF 50V
C602	1-164-159-11	CERAMIC	0.1uF 50V
C603	1-162-288-31	CERAMIC	330PF 10% 50V
C604	1-162-288-31	CERAMIC	330PF 10% 50V
C701	1-126-946-11	ELECT	6800uF 20% 16V
C702	1-126-937-11	ELECT	4700uF 20% 16V
C703	1-124-903-11	ELECT	1uF 20% 50V
C704	1-126-969-11	ELECT	220uF 20% 50V
C705	1-126-963-11	ELECT	4.7uF 20% 50V
C706	1-126-926-11	ELECT	1000uF 20% 10V
C707	1-126-926-11	ELECT	1000uF 20% 10V
C708	1-126-963-11	ELECT	4.7uF 20% 50V
C709	1-126-963-11	ELECT	4.7uF 20% 50V
C710	1-126-935-11	ELECT	470uF 20% 6.3V
C711	1-126-947-11	ELECT	47uF 20% 35V
C801	1-126-933-11	ELECT	100uF 20% 10V
C802	1-161-494-00	CERAMIC	0.022uF 25V
C807	1-124-902-00	ELECT	0.47uF 20% 50V
C810	1-161-494-00	CERAMIC	0.022uF 25V
C811	1-164-159-11	CERAMIC	0.1uF 50V
C812	1-162-294-31	CERAMIC	0.001uF 10% 50V
C813	1-162-294-31	CERAMIC	0.001uF 10% 50V
C816	1-164-159-11	CERAMIC	0.1uF 50V (WA7ESA,WE705S) (WE605S,WE705S)
C818	1-126-964-11	ELECT	10uF 20% 50V
C819	1-164-159-11	CERAMIC	0.1uF 50V
		< CONNECTOR >	
* CN001	1-580-230-31	PIN, CONNECTOR (PC BOARD) 2P (EXCEPT E)	
CN002	1-568-226-11	PIN, CONNECTOR 2P (WE505,WE705S)	
CN101	1-695-087-11	PIN, CONNECTOR (PC BOARD) 7P (EXCEPT WE505)	
CN201	1-695-087-11	PIN, CONNECTOR (PC BOARD) 7P (EXCEPT WE505)	
* CN501	1-691-916-11	CONNECTOR, BOARD TO BOARD	
* CN502	1-691-916-11	CONNECTOR, BOARD TO BOARD	
* CN503	1-691-916-11	CONNECTOR, BOARD TO BOARD	
CN701	1-766-269-11	PIN, CONNECTOR (PC BOARD) 7P	
* CN801	1-568-954-11	PIN, CONNECTOR 5P(WA7ESA,WE605S, WR550Z)	
CN802	1-770-246-11	SOCKET, CONNECTOR 41P	
* CN803	1-568-934-11	PIN, CONNECTOR 7P	
* CN804	1-568-828-11	SOCKET, CONNECTOR 9P (WA7ESA,WE705S)	
* CN804	1-568-826-11	SOCKET, CONNECTOR 7P (WE505,WE605S, WR550Z)	
* CN805	1-568-828-11	SOCKET, CONNECTOR 9P (WA7ESA,WE705S)	
* CN805	1-568-826-11	SOCKET, CONNECTOR 7P (WE505,WE605S, WR550Z)	
CN806	1-506-468-11	PIN, CONNECTOR 3P	

The components identified by mark Δ or dotted line with mark Δ are critical for safety. Replace only with part number specified.	Les composants identifiés par une marque Δ sont critiques pour la sécurité. Ne les remplacer que par une pièce portant le numéro spécifié.
--	---

MAIN DIRECTION HEADPHONE PANEL

POWER SWITCH TRANSFORMER VOL

Ref. No.	Part No.	Description	Remark
* CN807	1-568-954-11	PIN, CONNECTOR 5P	
		< CONNECTOR >	
CNP802	1-770-247-11	SOCKET, CONNECTOR 41P	
		< DIODE >	
D101	8-719-933-33	DIODE HZS6A1L	
D201	8-719-933-33	DIODE HZS6A1L	
D521	8-719-987-63	DIODE 1N4148M	
D522	8-719-987-63	DIODE 1N4148M	
D601	8-719-987-63	DIODE 1N4148M (WA7ESA,WE505,WE705S)	
D602	8-719-987-63	DIODE 1N4148M (WA7ESA,WE505,WE705S)	
D701	8-719-024-99	DIODE 11ES2-NTA2B	
D702	8-719-024-99	DIODE 11ES2-NTA2B	
D703	8-719-024-99	DIODE 11ES2-NTA2B	
D704	8-719-024-99	DIODE 11ES2-NTA2B	
D705	8-719-987-63	DIODE 1N4148M	
D706	8-719-987-63	DIODE 1N4148M	
D707	8-719-024-99	DIODE 11ES2-NTA2B	
D708	8-719-987-63	DIODE 1N4148M	
D709	8-719-933-33	DIODE HZS6A1L	
D710	8-719-933-33	DIODE HZS6A1L	
D711	8-719-933-33	DIODE HZS6A1L	
D712	8-719-933-38	DIODE HZS6B3L	
D713	8-719-987-63	DIODE 1N4148M	
D714	8-719-987-63	DIODE 1N4148M	
D715	8-719-987-63	DIODE 1N4148M	
D716	8-719-000-78	DIODE UZL-7L2	
D801	8-719-987-63	DIODE 1N4148M	
D802	8-719-987-63	DIODE 1N4148M	
D803	8-719-987-63	DIODE 1N4148M	
D804	8-719-987-63	DIODE 1N4148M	
D805	8-719-987-63	DIODE 1N4148M (WE605S,WE705S)	
D901	8-719-313-43	LED SEL6210S-TH10 (AUTO REC LEVEL)	
D902	8-719-313-43	LED SEL6210S-TH10 (SYNCHRO) (WE605S,WE705S)	
		< IC >	
IC501	8-752-075-27	IC CXA1878Q	
IC502	8-759-634-51	IC M5218AP	
IC503	8-759-634-51	IC M5218AP	
IC601	8-759-822-38	IC LA6510	
IC701	8-759-634-51	IC M5218AP	
IC801	8-752-871-45	IC CXP82224-043Q	
IC802	8-759-165-82	IC PST600E-T	
IC802	8-759-520-90	IC PST572E	
IC804	8-759-916-14	IC SN74HC04AN	
IC805	8-759-000-48	IC MC14052BCP	
IC901	8-741-810-59	IC SBX1810-59	
		< JACK >	
J501	1-770-614-11	JACK, PIN 4P (LINE IN/OUT)	

Ref. No.	Part No.	Description	Remark
J502	1-568-519-41	JACK, LARGE TYPE (PHONES)	
* J801	1-764-188-11	JACK (SMALL TYPE) (DIA. 3.5) (CONTROL A) (WE605S,WE705S)	
* J802	1-764-188-11	JACK (SMALL TYPE) (DIA. 3.5) (CONTROL A) (WE605S,WE705S)	
		< FILTER >	
LPF101	1-233-271-11	FILTER, LOW PASS	
LPF201	1-233-271-11	FILTER, LOW PASS	
		< TRANSISTOR >	
Q101	8-729-900-74	TRANSISTOR DTC143TS	
Q102	8-729-922-37	TRANSISTOR 2SD2144S	
Q201	8-729-900-74	TRANSISTOR DTC143TS	
Q202	8-729-922-37	TRANSISTOR 2SD2144S	
Q501	8-729-119-76	TRANSISTOR 2SA1175-HFE	
Q502	8-729-620-05	TRANSISTOR 2SC2603-EF	
Q503	8-729-620-05	TRANSISTOR 2SC2603-EF	
Q601	8-729-900-80	TRANSISTOR DTC114ES	
Q602	8-729-801-93	TRANSISTOR 2SD1387	
Q603	8-729-801-93	TRANSISTOR 2SD1387	
Q604	8-729-900-80	TRANSISTOR DTC114ES (WE505,WE705S)	
Q605	8-729-119-76	TRANSISTOR 2SA1175-HFE (WE505, WE705S)	
Q606	8-729-900-80	TRANSISTOR DTC114ES	
Q701	8-729-141-83	TRANSISTOR 2SB1094-LK	
Q702	8-729-209-15	TRANSISTOR 2SD2012	
Q703	8-729-141-83	TRANSISTOR 2SB1094-LK	
Q704	8-729-620-05	TRANSISTOR 2SC2603-EF	
Q705	8-729-900-80	TRANSISTOR DTC114ES (WA7ESA,WE605S, WR550Z)	
Q706	8-729-900-80	TRANSISTOR DTC114ES (WA7ESA,WE605S, WR550Z)	
Q707	8-729-119-76	TRANSISTOR 2SA1175-HFE	
Q708	8-729-140-04	TRANSISTOR 2SB1116A-L	
Q709	8-729-224-62	TRANSISTOR 2SK246-GR (WA7ESA)	
Q801	8-729-900-89	TRANSISTOR DTC144ES	
Q802	8-729-900-74	TRANSISTOR DTC143TS (WA7ESA,WE605S, WR550Z)	
Q803	8-729-620-05	TRANSISTOR 2SC2603-EF (WE605S, WE705S)	
Q804	8-729-119-76	TRANSISTOR 2SA1175-HFE	
Q805	8-729-900-61	TRANSISTOR DTA114ES	
Q806	8-729-900-80	TRANSISTOR DTC114ES	
Q807	8-729-900-65	TRANSISTOR DTA144ES (WA7ESA,WE505, WE705S)	
		< RESISTOR >	
R101	1-249-429-11	CARBON 10K 5% 1/4W	
R102	1-247-887-00	CARBON 220K 5% 1/4W	
R103	1-249-441-11	CARBON 100K 5% 1/4W	
R104	1-249-420-11	CARBON 1.8K 5% 1/4W	
R105	1-249-423-11	CARBON 3.3K 5% 1/4W	

MAIN DIRECTION HEADPHONE PANEL

POWER SWITCH TRANSFORMER VOL

Ref. No.	Part No.	Description		Remark
R106	1-247-842-11	CARBON	3K	5% 1/4W
R107	1-249-417-11	CARBON	1K	5% 1/4W
R108	1-249-424-11	CARBON	3.9K	5% 1/4W
R109	1-249-429-11	CARBON	10K	5% 1/4W
R110	1-249-425-11	CARBON	4.7K	5% 1/4W
R111	1-249-421-11	CARBON	2.2K	5% 1/4W
R112	1-249-430-11	CARBON	12K	5% 1/4W
R113	1-249-417-11	CARBON	1K	5% 1/4W
R114	1-249-421-11	CARBON	2.2K	5% 1/4W
R115	1-249-433-11	CARBON	22K	5% 1/4W
R116	1-249-423-11	CARBON	3.3K	5% 1/4W
R117	1-249-429-11	CARBON	10K	5% 1/4W
R118	1-249-409-11	CARBON	220	5% 1/4W
R119	1-249-417-11	CARBON	1K	5% 1/4W
R120	1-249-437-11	CARBON	47K	5% 1/4W
R121	1-249-437-11	CARBON	47K	5% 1/4W
R201	1-249-429-11	CARBON	10K	5% 1/4W
R202	1-247-887-00	CARBON	220K	5% 1/4W
R203	1-249-441-11	CARBON	100K	5% 1/4W
R204	1-249-420-11	CARBON	1.8K	5% 1/4W
R205	1-249-423-11	CARBON	3.3K	5% 1/4W
R206	1-247-842-11	CARBON	3K	5% 1/4W
R207	1-249-417-11	CARBON	1K	5% 1/4W
R208	1-249-424-11	CARBON	3.9K	5% 1/4W
R209	1-249-429-11	CARBON	10K	5% 1/4W
R210	1-249-425-11	CARBON	4.7K	5% 1/4W
R211	1-249-421-11	CARBON	2.2K	5% 1/4W
R212	1-249-430-11	CARBON	12K	5% 1/4W
R213	1-249-417-11	CARBON	1K	5% 1/4W
R214	1-249-421-11	CARBON	2.2K	5% 1/4W
R215	1-249-433-11	CARBON	22K	5% 1/4W
R216	1-249-423-11	CARBON	3.3K	5% 1/4W
R217	1-249-429-11	CARBON	10K	5% 1/4W
R218	1-249-409-11	CARBON	220	5% 1/4W
R219	1-249-417-11	CARBON	1K	5% 1/4W
R220	1-249-437-11	CARBON	47K	5% 1/4W
R221	1-249-437-11	CARBON	47K	5% 1/4W
R501	1-215-455-00	METAL	27K	1% 1/4W
R502	1-215-452-00	METAL	20K	1% 1/4W
R503	1-249-417-11	CARBON	1K	5% 1/4W
R504	1-249-428-11	CARBON	8.2K	5% 1/4W
R505	1-247-903-00	CARBON	1M	5% 1/4W
R507	1-249-429-11	CARBON	10K	5% 1/4W
R508	1-249-413-11	CARBON	470	5% 1/4W
R509	1-249-417-11	CARBON	1K	5% 1/4W
R510	1-249-437-11	CARBON	47K	5% 1/4W
R511	1-249-429-11	CARBON	10K	5% 1/4W
R512	1-249-413-11	CARBON	470	5% 1/4W
R521	1-249-433-11	CARBON	22K	5% 1/4W
R522	1-249-426-11	CARBON	5.6K	5% 1/4W
R523	1-249-436-11	CARBON	39K	5% 1/4W

Ref. No.	Part No.	Description		Remark
R524	1-249-425-11	CARBON	4.7K	5% 1/4W
R525	1-249-425-11	CARBON	4.7K	5% 1/4W
R526	1-249-441-11	CARBON	100K	5% 1/4W
R527	1-249-441-11	CARBON	100K	5% 1/4W
R528	1-247-852-11	CARBON	7.5K	5% 1/4W
R531	1-249-437-11	CARBON	47K	5% 1/4W
R532	1-249-437-11	CARBON	47K	5% 1/4W
R533	1-249-437-11	CARBON	47K	5% 1/4W
R601	1-247-807-31	CARBON	100	5% 1/4W
R602	1-247-807-31	CARBON	100	5% 1/4W
R603	1-249-433-11	CARBON	22K	5% 1/4W
R604	1-249-433-11	CARBON	22K	5% 1/4W
R605	1-249-430-11	CARBON	12K	5% 1/4W
R606	1-249-430-11	CARBON	12K	5% 1/4W
R607	1-247-858-11	CARBON	13K	5% 1/4W
R608	1-247-858-11	CARBON	13K	5% 1/4W
R609	1-247-858-11	CARBON	13K	5% 1/4W
R610	1-247-858-11	CARBON	13K	5% 1/4W
R613	1-249-422-11	CARBON	2.7K	5% 1/4W
R614	1-249-422-11	CARBON	2.7K	5% 1/4W
R615	1-247-854-11	CARBON	9.1K	5% 1/4W
R616	1-247-854-11	CARBON	9.1K	5% 1/4W
R617	1-249-429-11	CARBON	10K	5% 1/4W
R618	1-249-421-11	CARBON	2.2K	5% 1/4W
R619	1-249-429-11	CARBON	10K	5% 1/4W
R620	1-249-421-11	CARBON	2.2K	5% 1/4W
R621	1-249-435-11	CARBON	33K	5% 1/4W
R622	1-247-848-11	CARBON	5.1K	5% 1/4W
R623	1-249-437-11	CARBON	47K	5% 1/4W
R624	1-249-437-11	CARBON	47K	5% 1/4W
R701	1-249-414-11	CARBON	560	5% 1/4W
R702	1-249-429-11	CARBON	10K	5% 1/4W
R703	1-249-419-11	CARBON	1.5K	5% 1/4W
R704	1-249-425-11	CARBON	4.7K	5% 1/4W
R705	1-249-427-11	CARBON	6.8K	5% 1/4W
R706	1-249-419-11	CARBON	1.5K	5% 1/4W
R707	1-249-429-11	CARBON	10K	5% 1/4W
R708	1-249-419-11	CARBON	1.5K	5% 1/4W
R709	1-249-425-11	CARBON	4.7K	5% 1/4W
R710	1-249-417-11	CARBON	1K	5% 1/4W
R711	1-249-427-11	CARBON	6.8K	5% 1/4W
R712	1-249-427-11	CARBON	6.8K	5% 1/4W
R713	1-249-417-11	CARBON	1K	5% 1/4W
R714	1-249-429-11	CARBON	10K	5% 1/4W
R715	1-249-422-11	CARBON	2.7K	5% 1/4W
R716	1-249-433-11	CARBON	22K	5% 1/4W
R717	1-249-429-11	CARBON	10K	5% 1/4W

MAIN DIRECTION HEADPHONE PANEL

POWER SWITCH TRANSFORMER VOL

Ref. No.	Part No.	Description	Remark
R718	1-249-436-11	CARBON	39K 5% 1/4W
R719	1-249-430-11	CARBON	12K 5% 1/4W
△ R720	1-219-136-11	FUSIBLE	0.22 10% 1/4W F
R721	1-249-415-11	CARBON	680 5% 1/4W (WA7ESA)
R721	1-249-419-11	CARBON	1.5K 5% 1/4W (EXCEPT WA7ESA)
△ R722	1-219-137-11	FUSIBLE	0.33 10% 1/4W F
△ R723	1-219-137-11	FUSIBLE	0.33 10% 1/4W F
R724	1-249-412-11	CARBON	390 5% 1/4W (WA7ESA)
R805	1-249-429-11	CARBON	10K 5% 1/4W
R806	1-249-429-11	CARBON	10K 5% 1/4W
R807	1-249-429-11	CARBON	10K 5% 1/4W
R808	1-249-429-11	CARBON	10K 5% 1/4W
R809	1-249-441-11	CARBON	100K 5% 1/4W
R810	1-249-417-11	CARBON	1K 5% 1/4W
R811	1-249-433-11	CARBON	22K 5% 1/4W
R812	1-249-433-11	CARBON	22K 5% 1/4W
R813	1-247-807-31	CARBON	100 5% 1/4W
R814	1-249-433-11	CARBON	22K 5% 1/4W
R815	1-249-435-11	CARBON	33K 5% 1/4W
R816	1-249-441-11	CARBON	100K 5% 1/4W
R817	1-249-426-11	CARBON	5.6K 5% 1/4W
R818	1-249-422-11	CARBON	2.7K 5% 1/4W
R819	1-249-428-11	CARBON	8.2K 5% 1/4W
R820	1-249-428-11	CARBON	8.2K 5% 1/4W
R821	1-249-430-11	CARBON	12K 5% 1/4W
R822	1-247-852-11	CARBON	7.5K 5% 1/4W
R823	1-249-425-11	CARBON	4.7K 5% 1/4W
R824	1-249-425-11	CARBON	4.7K 5% 1/4W
R825	1-249-429-11	CARBON	10K 5% 1/4W
R826	1-249-429-11	CARBON	10K 5% 1/4W
R827	1-249-425-11	CARBON	4.7K 5% 1/4W (WE605S,WE705S)
R828	1-249-429-11	CARBON	10K 5% 1/4W (WE605S,WE705S)
R829	1-249-393-11	CARBON	10 5% 1/4W (WE605S,WE705S)
R830	1-249-421-11	CARBON	2.2K 5% 1/4W
R831	1-249-421-11	CARBON	2.2K 5% 1/4W
R832	1-249-434-11	CARBON	27K 5% 1/4W
R833	1-249-434-11	CARBON	27K 5% 1/4W (WA7ESA,WE705S)
R834	1-247-887-00	CARBON	220K 5% 1/4W
R835	1-247-887-00	CARBON	220K 5% 1/4W
R836	1-247-887-00	CARBON	220K 5% 1/4W
R837	1-247-887-00	CARBON	220K 5% 1/4W
R838	1-249-422-11	CARBON	2.7K 5% 1/4W
R839	1-249-422-11	CARBON	2.7K 5% 1/4W
R840	1-249-422-11	CARBON	2.7K 5% 1/4W
R841	1-249-429-11	CARBON	10K 5% 1/4W
R842	1-247-862-11	CARBON	20K 5% 1/4W

Ref. No.	Part No.	Description	Remark
R844	1-249-421-11	CARBON	2.2K 5% 1/4W
R845	1-247-874-11	CARBON	62K 5% 1/4W
R846	1-247-866-11	CARBON	30K 5% 1/4W
R847	1-249-431-11	CARBON	15K 5% 1/4W
R848	1-247-852-11	CARBON	7.5K 5% 1/4W
R849	1-249-429-11	CARBON	10K 5% 1/4W
R850	1-249-429-11	CARBON	10K 5% 1/4W
R851	1-249-429-11	CARBON	10K 5% 1/4W
R852	1-249-429-11	CARBON	10K 5% 1/4W
R853	1-249-434-11	CARBON	27K 5% 1/4W
R854	1-249-434-11	CARBON	27K 5% 1/4W
R855	1-249-434-11	CARBON	27K 5% 1/4W
R856	1-249-434-11	CARBON	27K 5% 1/4W
R857	1-249-421-11	CARBON	2.2K 5% 1/4W
R858	1-249-421-11	CARBON	2.2K 5% 1/4W
R859	1-249-421-11	CARBON	2.2K 5% 1/4W
R860	1-249-434-11	CARBON	27K 5% 1/4W
R861	1-249-434-11	CARBON	27K 5% 1/4W (WA7ESA,WE705S)
R862	1-249-441-11	CARBON	100K 5% 1/4W
R863	1-247-807-31	CARBON	100 5% 1/4W
R901	1-249-413-11	CARBON	470 5% 1/4W
R902	1-249-413-11	CARBON	470 5% 1/4W (WE605S,WE705S)
R903	1-249-441-11	CARBON	100K 5% 1/4W (WE505,WE705S)
R904	1-247-807-31	CARBON	100 5% 1/4W
R911	1-249-418-11	CARBON	1.2K 5% 1/4W
R912	1-249-420-11	CARBON	1.8K 5% 1/4W
R913	1-249-422-11	CARBON	2.7K 5% 1/4W
R914	1-249-424-11	CARBON	3.9K 5% 1/4W
R915	1-249-427-11	CARBON	6.8K 5% 1/4W
R916	1-249-431-11	CARBON	15K 5% 1/4W
R917	1-249-437-11	CARBON	47K 5% 1/4W
R921	1-249-418-11	CARBON	1.2K 5% 1/4W
R922	1-249-420-11	CARBON	1.8K 5% 1/4W
R923	1-249-422-11	CARBON	2.7K 5% 1/4W
R924	1-249-424-11	CARBON	3.9K 5% 1/4W
R925	1-249-427-11	CARBON	6.8K 5% 1/4W
R926	1-249-431-11	CARBON	15K 5% 1/4W
R927	1-249-437-11	CARBON	47K 5% 1/4W
R931	1-249-418-11	CARBON	1.2K 5% 1/4W
R932	1-249-420-11	CARBON	1.8K 5% 1/4W
R933	1-249-422-11	CARBON	2.7K 5% 1/4W
R934	1-249-424-11	CARBON	3.9K 5% 1/4W (WE605S,WE705S)
R935	1-249-427-11	CARBON	6.8K 5% 1/4W
R936	1-249-431-11	CARBON	15K 5% 1/4W
R937	1-249-437-11	CARBON	47K 5% 1/4W
R939	1-249-424-11	CARBON	3.9K 5% 1/4W (WA7ESA,WE505,WR550Z)
R941	1-249-418-11	CARBON	1.2K 5% 1/4W
R942	1-249-420-11	CARBON	1.8K 5% 1/4W

The components identified by mark △ or dotted line with mark △ are critical for safety. Replace only with part number specified.	Les composants identifiés par une marque △ sont critiques pour la sécurité. Ne les remplacer que par une pièce portant le numéro spécifié.
--	--

MAIN DIRECTION HEADPHONE PANEL POWER SWITCH

TRANSFORMER VOL LEAF SW (DECK A) LEAF SW (DECK B)

Ref. No.	Part No.	Description	Remark		
R943	1-249-422-11	CARBON	2.7K	5%	1/4W
R944	1-249-424-11	CARBON	3.9K	5%	1/4W
R945	1-249-427-11	CARBON	6.8K	5%	1/4W
R946	1-249-431-11	CARBON	15K	5%	1/4W
R947	1-249-437-11	CARBON	47K	5%	1/4W
< VARIABLE RESISTOR >					
RV101	1-241-630-11	RES, ADJ, CARBON 10K (DOLBY LEVEL L)			
RV201	1-241-630-11	RES, ADJ, CARBON 10K (DOLBY LEVEL R)			
RV601	1-241-765-11	RES, ADJ, CARBON 22K (PITCH CONTROL)	(WE505,WE705S)		
RV901	1-241-797-11	RES, VAR, CARBON 20K (AUTO REC LEVEL)			
RV902	1-225-173-11	RES, VAR, CARBON 50K (PITCH CONTROL)	(WE505,WE705S)		
< SWITCH >					
△ S001	1-762-581-11	SWITCH, AC POWER PUSH (1 KEY) (POWER)	(WE505,WE705S)		
S801	1-554-118-00	SWITCH, PUSH (1 KEY) (POWER)	(WA7ESA,WE605S,WR550Z)		
S911	1-554-303-21	SWITCH, TACTILE (■ CLEAR)			
S912	1-554-303-21	SWITCH, TACTILE (▷ FRONT)			
S913	1-554-303-21	SWITCH, TACTILE (◁ BACK)			
S914	1-554-303-21	SWITCH, TACTILE (◀◀)			
S915	1-554-303-21	SWITCH, TACTILE (▶▶)			
S916	1-554-303-21	SWITCH, TACTILE (REC)			
S917	1-554-303-21	SWITCH, TACTILE (RESET)			
S918	1-554-303-21	SWITCH, TACTILE (MEMORY)			
S921	1-554-303-21	SWITCH, TACTILE (■)			
S922	1-554-303-21	SWITCH, TACTILE (PAUSE)			
S923	1-554-303-21	SWITCH, TACTILE (▷)			
S924	1-554-303-21	SWITCH, TACTILE (◁)			
S925	1-554-303-21	SWITCH, TACTILE (REC MUTE)			
S926	1-554-303-21	SWITCH, TACTILE (◀◀ /-RMS+)			
S927	1-554-303-21	SWITCH, TACTILE (▶▶ /-RMS+)			
S928	1-554-118-00	SWITCH, PUSH (1 KEY)(PITCH CONTROL)	(WE505,WE705S)		
S931	1-554-303-21	SWITCH, TACTILE (RESET)			
S932	1-554-303-21	SWITCH, TACTILE (MEMORY)			
S933	1-554-303-21	SWITCH, TACTILE (FADER) (WE605S,WE705S)			
S934	1-554-303-21	SWITCH, TACTILE (ARL) (WE605S,WE705S)			
S935	1-554-303-21	SWITCH, TACTILE (SYNCHRO) (WE605S, WE705S)			
S935	1-554-303-21	SWITCH, TACTILE (ARL) (WA7ESA,WE505, WR505Z)			
S936	1-762-567-11	SWITCH, SLIDE (DOLBY NR)			
S937	1-762-609-11	SWITCH, SLIDE (DOLBY NR) (EXCEPT WE505)			
S937	1-762-608-11	SWITCH, SLIDE (DOLBY NR) (WE505)			
S938	1-554-303-21	SWITCH, TACTILE (FADER) (WA7ESA,WE505, WR550Z)			
S941	1-554-303-21	SWITCH, TACTILE (DISPLAY/START)			

Ref. No.	Part No.	Description	Remark		
S942	1-554-303-21	SWITCH, TACTILE (RMS/START)			
S943	1-554-303-21	SWITCH, TACTILE (CHECK)			
S944	1-554-303-21	SWITCH, TACTILE (SET)			
S945	1-554-303-21	SWITCH, TACTILE (AUTO CAL/START)			
S946	1-554-303-21	SWITCH, TACTILE (HIGH/NORMAL)			
S947	1-762-609-11	SWITCH, SLIDE (DIRECTION MODE)			
< TEST PIN >					
* TP801	1-560-060-00	PIN, CONNECTOR 2P			
< INDICATOR TUBE >					
VFD901	1-517-263-11	INDICATOR TUBE, FLUORESCENT			
< VIBRATOR >					
X801	1-579-175-11	VIBRATOR, CERAMIC (10MHz)			

*	1-634-841-14	LEAF SW BOARD (DECK A) (WA7ESA,WE705S)			
*	1-638-020-11	LEAF SW BOARD (DECK A) (WE505,WE605S, WR550Z)			

< CONNECTOR >					
* CNP81	1-568-850-11	SOCKET, CONNECTOR 7P (WE505,WE605S, WR550Z)			
* CNP81	1-568-852-11	SOCKET, CONNECTOR 9P (WA7ESA,WE705S)			
< IC >					
IC81	8-749-924-10	IC NJL5165K-B (H1)			
IC82	8-749-924-10	IC NJL5165K-B (H1) (WA7ESA,WE705S)			
< RESISTOR >					
R84	1-249-417-11	CARBON	1K	5%	1/4W
R85	1-249-408-11	CARBON	180	5%	1/4W
R86	1-249-408-11	CARBON	180	5%	1/4W
(WA7ESA,WE705S)					
< SWITCH >					
S81	1-571-958-11	SWITCH, PUSH (1 KEY) (STOP)			
S82	1-571-281-21	SWITCH, LEAF (CrO2)			
S86	1-571-281-21	SWITCH, LEAF (HALF)			

*	1-634-841-14	LEAF SW BOARD (DECK B) (WA7ESA,WE705S)			
*	1-638-020-11	LEAF SW BOARD (DECK B) (WE505,WE605S, WR550Z)			

< CONNECTOR >					
* CNP81	1-568-850-11	SOCKET, CONNECTOR 7P (WE505,WE605S, WR550Z)			

The components identified by mark △ or dotted line with mark △ are critical for safety. Replace only with part number specified.	Les composants identifiés par une marque △ sont critiques pour la sécurité. Ne les remplacer que par une pièce portant le numéro spécifié.
--	--

LEAF SW (DECK B)

Ref. No.	Part No.	Description	Remark
* CNP81	1-568-852-11	SOCKET, CONNECTOR 9P (WA7ESA,WE705S)	
		< IC >	
IC81	8-749-924-10	IC NJL5165K-B (H1)	
IC82	8-749-924-10	IC NJL5165K-B (H1) (WA7ESA,WE705S)	
		< RESISTOR >	
R81	1-249-414-11	CARBON 560 5% 1/4W	
R82	1-247-818-11	CARBON 300 5% 1/4W	
R83	1-247-834-11	CARBON 1.3K 5% 1/4W	
R84	1-249-417-11	CARBON 1K 5% 1/4W	
R85	1-249-408-11	CARBON 180 5% 1/4W	
R86	1-249-408-11	CARBON 180 5% 1/4W (WA7ESA,WE705S)	
		< SWITCH >	
S81	1-571-958-11	SWITCH, PUSH (1 KEY) (STOP)	
S82	1-571-281-21	SWITCH, LEAF (CrO2)	
S83	1-571-281-21	SWITCH, LEAF (METAL)	
S84	1-571-281-21	SWITCH, LEAF (ERASER PROOF (SIDE A))	
S85	1-571-281-21	SWITCH, LEAF (ERASER PROOF (SIDE A))	
S86	1-571-281-21	SWITCH, LEAF (HALF)	

		MISCELLANEOUS	

△ 9	1-551-188-99	CORD, POWER (E)	
△ 9	1-558-945-21	CORD, POWER (POLAR.SPT-1) (US,CND,PA)	
△ 9	1-575-651-21	CORD, POWER (AEP,G,MY,SP,CH)	
△ 9	1-696-586-11	CORD, POWER (UK)	
△ 9	1-696-845-11	CORD, POWER (AUS)	
△ 10	1-569-007-11	ADAPTER, CONVERSION 2P (E)	
△ 10	1-569-008-21	ADAPTER, CONVERSION 2P (CH)	
65	1-769-882-11	WIRE (FLAT TYPE) (7 CORE) (WE505,WE605S, WR550Z)	
65	1-769-912-11	WIRE (FLAT TYPE) (9 CORE) (WA7ESA,WE705S)	
74	1-769-598-11	WIRE (FLAT TYPE) (41 CORE)	
121	1-638-983-11	MOTOR FLEXIBLE BOARD	
HP101	A-2004-526-A	DECK ASSY, HEAD (PLAYBACK) (WE505, WE605S,WR550Z)	
HP101	A-2004-548-A	DECK ASSY, HEAD (PLAYBACK) (WA7ESA, WE705S)	
HRPE101A-2004-527-A		DECK ASSY, HEAD (RECORD/PLAYBACK/ERASE)	
M1	X-3365-377-2	MOTOR ASSY (CAPSTAN)	
M2	X-3365-501-2	MOTOR ASSY (REEL)	
△ S701	1-692-155-11	SELECTOR, POWER VOLTAGE (VOLTAGE SELECTOR) (E)	

Ref. No.	Part No.	Description	Remark
△ T801	1-427-782-11	TRANSFORMER, POWER (US,CND,PA)	
△ T801	1-427-783-11	TRANSFORMER, POWER (AEP,UK,G,AUS,MY,SP, CH)	
△ T801	1-427-784-11	TRANSFORMER, POWER (E)	

		ACCESSORIES & PACKING MATERIALS	

	1-473-598-11	REMOTE COMMANDER (RM-J910) (WA7ESA :CND)	
	1-551-734-11	CORD, CONNECTION	
△	1-569-007-11	ADAPTER, CONVERSION 2P (E)	
△	1-569-008-21	ADAPTER, CONVERSION 2P (CH)	
	3-798-411-11	MANUAL, INSTRUCTION (ENGLISH/FRENCH/ SPANISH/PORTUGUESE) (AEP)	
	3-798-411-21	MANUAL, INSTRUCTION (ENGLISH) (UK)	
	3-798-411-41	MANUAL, INSTRUCTION (GERMAN/DUTCH/ SWEDISH/ITALIAN) (AEP)	
	3-798-411-51	MANUAL, INSTRUCTION (GERMAN) (G)	
	3-810-716-11	MANUAL, INSTRUCTION (ENGLISH) (US,CND, AUS,PA)	
	3-810-716-21	MANUAL, INSTRUCTION (FRENCH) (CND)	
	3-810-716-61	MANUAL, INSTRUCTION (ENGLISH/FRENCH/ SPANISH/CHINESE) (E,MY,SP,CH)	
	3-810-765-11	MANUAL(CONTROL-A1),INSTRUCTION (ENGLISH) (WE605S:US,AUS,PA)	
	3-810-765-21	MANUAL(CONTROL-A1),INSTRUCTION (ENGLISH/FRENCH/SPANISH/GERMAN/DUTCH/ SWEDISH/ITALIAN/PORTUGUESE/CHINESE) (WE605S:CND,E,MY,SP,CH)	
*	3-932-083-01	CUSHION (EXCEPT WA7ESA)	
*	3-934-283-01	CARTON, INDIVIDUAL (WE505)	
*	3-934-284-01	CARTON, INDIVIDUAL (WE605S:US,CND,E,AUS, PA)	
*	3-936-086-01	CUSHION (WA7ESA)	
*	3-934-285-01	CARTON, INDIVIDUAL (WE705S)	
*	3-934-287-01	CARTON, INDIVIDUAL (WA7ESA)	
*	3-935-092-01	INDIVIDUAL CARTON (WE605S:MY,SP,CH)	
*	3-935-644-01	INDIVIDUAL CARTON (WR550Z)	
	4-981-643-01	COVER BATTERY (FOR RM-J910) (WA7ESA :CND)	

The components identified by mark △ or dotted line with mark △ are critical for safety. Replace only with part number specified.

Les composants identifiés par une marque △ sont critiques pour la sécurité. Ne les remplacer que par une pièce portant le numéro spécifié.

<u>Ref. No.</u>	<u>Part No.</u>	<u>Description</u>	<u>Remark</u>
		***** HARDWARE LIST *****	
#1	7-682-548-04	SCREW +BVTT 3X8 (S)	
#2	7-685-871-01	SCREW +BVTT 3X6 (S)	
#3	7-685-646-79	SCREW +BVTP 3X8 TYPE2 N-S	
#4	7-685-134-19	SCREW (+ PTPWH) (2.6X8)	
#5	7-621-773-95	SCREW +BVTT 2.6X6 (S)	
#6	7-621-775-00	SCREW +B 2.6X3	
#7	7-627-556-08	SCREW +P 2.6X2.8	

TC-WA7ESA/WE505/WE605S/ WE705S/WR550Z

SONY

SERVICE MANUAL

US Model

TC-WA7ESA/WE605S/WR550Z

Canadian Model

TC-WA7ESA/WE605S

AEP Model

TC-WE505/WE705S

UK Model

TC-WE505

E model

Australian Model

Chinese Model

TC-WE605S

CORRECTION-1

Correct your service manual as shown below.

↪: indicates corrected portion.

Page	INCORRECT			CORRECT	
	<u>Ref. No.</u>	<u>Part No.</u>	<u>Description</u>	<u>Part No.</u>	<u>Description</u>
42 52	M2	X-3365-501-2	MOTOR ASSY (REEL)	<u>X-3363-501-1</u>	MOTOR ASSY (REEL)

(SPM-98010)

TC-WA7ESA/WE505/WE605S/ WE705S/WR550Z

SONY

SERVICE MANUAL

US Model
TC-WA7ESA/WE605S/WR550Z

Canadian Model

TC-WA7ESA/WE605S

AEP Model

TC-WE505/WE705S

UK Model

TC-WE505

E Model

Australian Model

Chinese Model

TC-WE605S

CORRECTION-2

Correct your service manual as shown below.

Page	INCORRECT				CORRECT			
	Ref. No.	Part No.	Description	Remark	Ref. No.	Part No.	Description	Remark
41	63	X-4945-947-1	HOLDER (L) ASSY, CASSETTE		63	X-4945-946-1	HOLDER (R) ASSY, CASSETTE	
	76	X-4945-946-1	HOLDER (R) ASSY, CASSETTE		76	X-4945-947-1	HOLDER (L) ASSY, CASSETTE	

(RPC-99002)