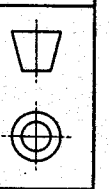
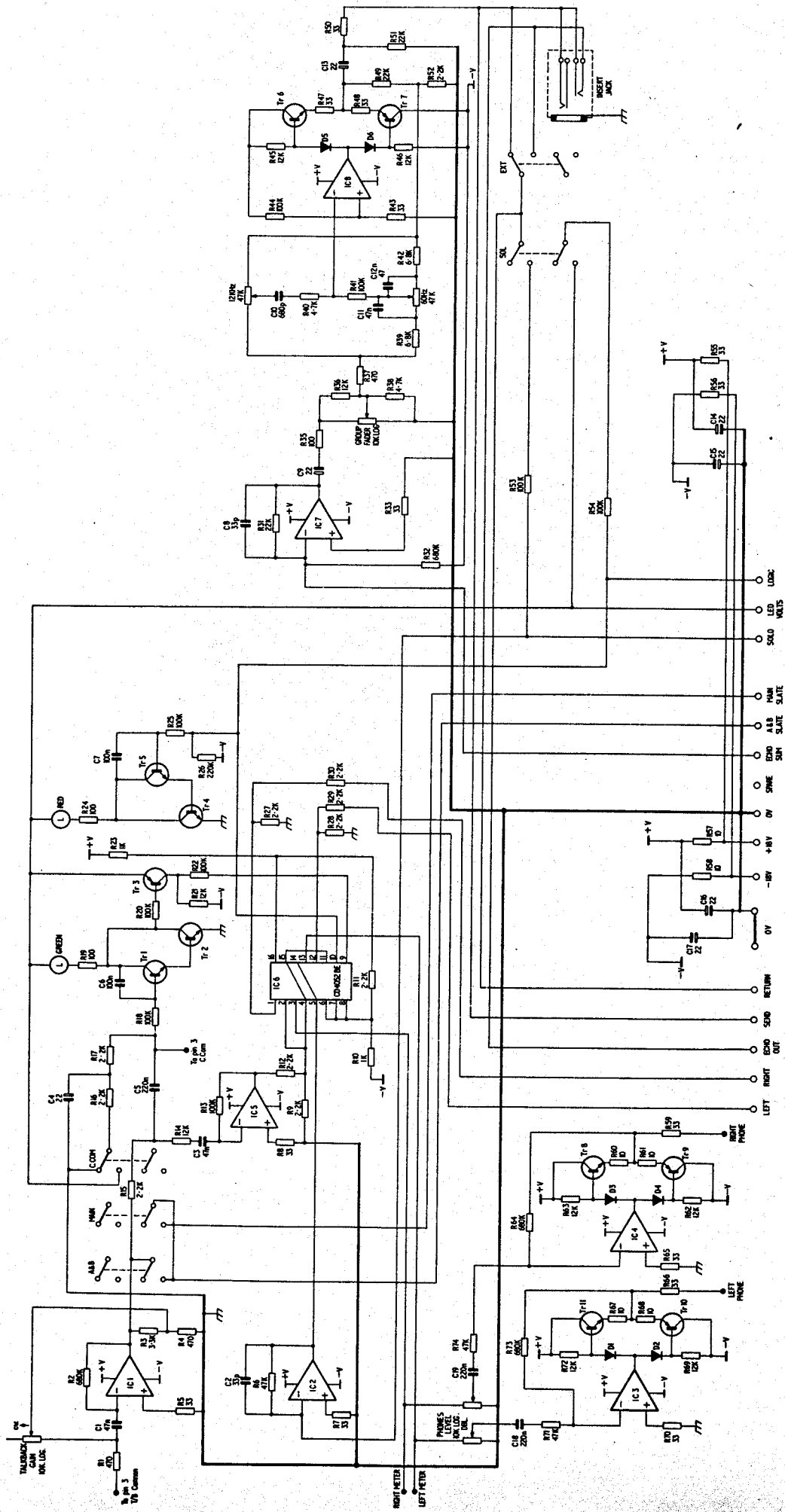


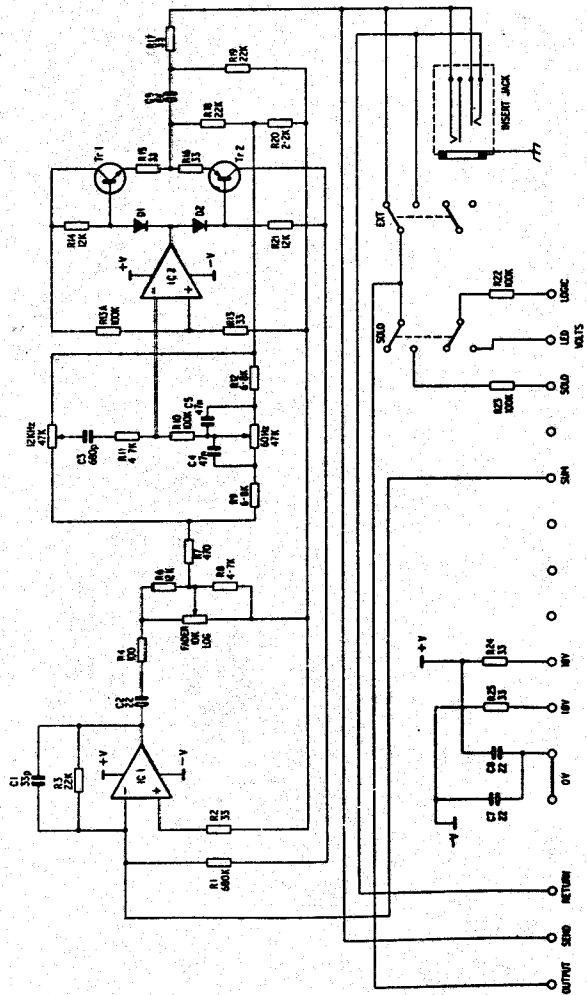
TITLE	DRAWN	MATERIAL	HOLE INDEX	TOLERANCE	NOTES	THIRD ANGLE PROJECTION	OTHER INFORMATION
SERIES 15 ELECTRONIC INPUT CIRCUIT DIAGRAM Dwg. No. ED 206	SOUNDSCRAFT ELECTRONICS LTD 5-9 GREAT BUTTON STREET LONDON EC1Y 0XL TELEPHONE: 01-251-3619/2/3 TELEGRAMS: SOUNDSCRAFT LON ECY TELEX: UK No. 21199, USA No. 224498	BERRY TRICO SCALE	AS Imperial dimensions 20:01 AS metric dimensions 1:0-3mm All angles 20°-50° Unless otherwise stated	Resistor in ohms Capacitor in micro farads Unless otherwise stated		21 - 0 - 79 Issue 1	(This area is currently blank in the provided image)



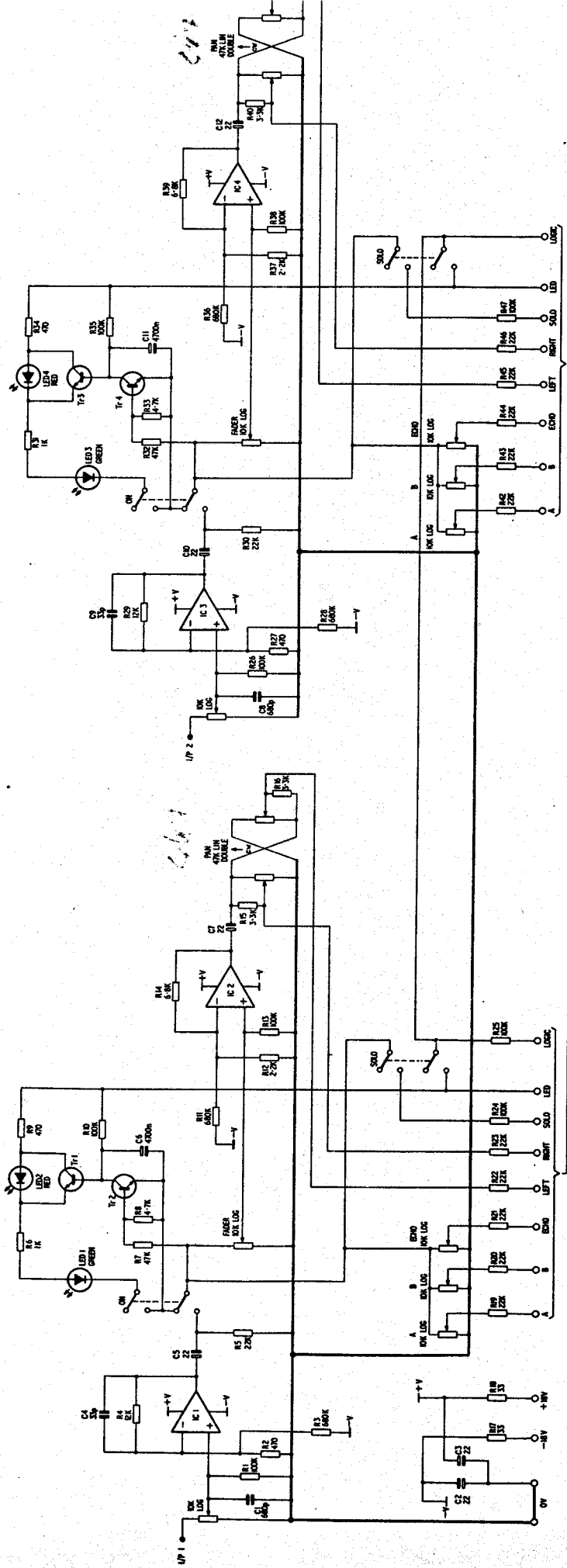
TITLE		SERIES 15		MONITOR & OUTPUT		CIRCUIT DIAGRAM	
SOUNDSCRAFT ELECTRONICS LTD		5-9 GREAT SUTTON STREET		LONDON EC1, CBR.		TELEPHONE: 01-251-3637/2/3	
FINISH		SCALE		HOLE INDEX		TOLERANCE	
MATERIAL		DRN		HOLE INDEX		TOLERANCE	
SCALE		CHKD		HOLE INDEX		TOLERANCE	
SCALE		CHKD		HOLE INDEX		TOLERANCE	

NOTE		HOLE INDEX	
Capacitors in micro farads		All imperial dimensions 2.0-01	
Resistors in ohms		All metric dimensions 2.0-25mm	
Unless otherwise stated		All angles 2.0-50°	
Unless otherwise stated		Unless otherwise stated	

SERIES 15	
MONITOR & OUTPUT	CIRCUIT DIAGRAM
SOUNDSCRAFT ELECTRONICS LTD	5-9 GREAT SUTTON STREET
LONDON EC1, CBR.	TELEPHONE: 01-251-3637/2/3
TELEGRAMS: SOUNDSCRAFT LON EC1	TELEX: UK No. 21998, USA No. 01-2290
ENGR. No.	ED 2025



TITLE SERIES IS 070/VI CROUT 0406/VI DRG. No. E3 0206	SOUNDRAFT ELECTRONICS LTD 5-5 GREAT SUTTON STREET LONDON EC1 0EL TELEPHONE: 01-251-3631/2/3 TELEGRAMS: SOUNDRAFT LON EC1 TELEF. UK No. 21198. USA No. 01-2503	DWG Ver 1 TRCD CHKD	MATL FINISH SCALE	HOLE INDEX	TOLERANCE All Imperial dimensions ±0.01 All metric dimensions ±0.25mm All angles ±0.50° Unless otherwise stated	NOTES Resistors in ohms Capacitors in micro farads Unless otherwise stated	13 3 2
--	--	------------------------------	-------------------------	------------	---	---	--------------



ICHO 1 & 2 SIZES ARE DIMENSIONED TO OTHER BOARD CONNECTIONS

<p>REV. 1</p>	<p>DATE</p>	<p>SCALE</p>	<p>FINISH</p>	<p>MATL</p>	<p>HOLE INDEX</p>	<p>NOTES</p>	<p>TOLERANCE</p>	<p>UNLESS OTHERWISE STATED</p>
<p>CHKO</p>	<p>TRCD</p>	<p>CHKO</p>	<p>CHKO</p>	<p>CHKO</p>	<p>CHKO</p>	<p>CHKO</p>	<p>CHKO</p>	<p>CHKO</p>
<p>ICHO 1 & 2 SIZES ARE DIMENSIONED TO OTHER BOARD CONNECTIONS</p>	<p>ICHO 1 & 2 SIZES ARE DIMENSIONED TO OTHER BOARD CONNECTIONS</p>	<p>ICHO 1 & 2 SIZES ARE DIMENSIONED TO OTHER BOARD CONNECTIONS</p>	<p>ICHO 1 & 2 SIZES ARE DIMENSIONED TO OTHER BOARD CONNECTIONS</p>	<p>ICHO 1 & 2 SIZES ARE DIMENSIONED TO OTHER BOARD CONNECTIONS</p>	<p>ICHO 1 & 2 SIZES ARE DIMENSIONED TO OTHER BOARD CONNECTIONS</p>	<p>ICHO 1 & 2 SIZES ARE DIMENSIONED TO OTHER BOARD CONNECTIONS</p>	<p>ICHO 1 & 2 SIZES ARE DIMENSIONED TO OTHER BOARD CONNECTIONS</p>	<p>ICHO 1 & 2 SIZES ARE DIMENSIONED TO OTHER BOARD CONNECTIONS</p>
<p>ICHO 1 & 2 SIZES ARE DIMENSIONED TO OTHER BOARD CONNECTIONS</p>	<p>ICHO 1 & 2 SIZES ARE DIMENSIONED TO OTHER BOARD CONNECTIONS</p>	<p>ICHO 1 & 2 SIZES ARE DIMENSIONED TO OTHER BOARD CONNECTIONS</p>	<p>ICHO 1 & 2 SIZES ARE DIMENSIONED TO OTHER BOARD CONNECTIONS</p>	<p>ICHO 1 & 2 SIZES ARE DIMENSIONED TO OTHER BOARD CONNECTIONS</p>	<p>ICHO 1 & 2 SIZES ARE DIMENSIONED TO OTHER BOARD CONNECTIONS</p>	<p>ICHO 1 & 2 SIZES ARE DIMENSIONED TO OTHER BOARD CONNECTIONS</p>	<p>ICHO 1 & 2 SIZES ARE DIMENSIONED TO OTHER BOARD CONNECTIONS</p>	<p>ICHO 1 & 2 SIZES ARE DIMENSIONED TO OTHER BOARD CONNECTIONS</p>
<p>ICHO 1 & 2 SIZES ARE DIMENSIONED TO OTHER BOARD CONNECTIONS</p>	<p>ICHO 1 & 2 SIZES ARE DIMENSIONED TO OTHER BOARD CONNECTIONS</p>	<p>ICHO 1 & 2 SIZES ARE DIMENSIONED TO OTHER BOARD CONNECTIONS</p>	<p>ICHO 1 & 2 SIZES ARE DIMENSIONED TO OTHER BOARD CONNECTIONS</p>	<p>ICHO 1 & 2 SIZES ARE DIMENSIONED TO OTHER BOARD CONNECTIONS</p>	<p>ICHO 1 & 2 SIZES ARE DIMENSIONED TO OTHER BOARD CONNECTIONS</p>	<p>ICHO 1 & 2 SIZES ARE DIMENSIONED TO OTHER BOARD CONNECTIONS</p>	<p>ICHO 1 & 2 SIZES ARE DIMENSIONED TO OTHER BOARD CONNECTIONS</p>	<p>ICHO 1 & 2 SIZES ARE DIMENSIONED TO OTHER BOARD CONNECTIONS</p>

SERIES 15
ECHO RETURNS
CIRCUIT INGRAM
DWG. NO. ED 320

BOUNDARY ELECTRONICS LTD
5-6 GREAT BUTTON STREET
LONDON EC1 0BL
TELEPHONE: 01-251-3612/3
TELEGRAMS: BOUNDARY LOW EC1
TELEX: UK No. 3198, USA No. 01-2203

ICHO 1 & 2 SIZES ARE DIMENSIONED TO OTHER BOARD CONNECTIONS

ICHO 1 & 2 SIZES ARE DIMENSIONED TO OTHER BOARD CONNECTIONS

ICHO 1 & 2 SIZES ARE DIMENSIONED TO OTHER BOARD CONNECTIONS

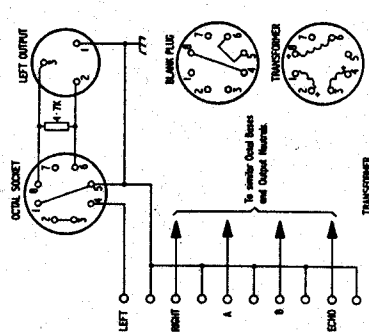
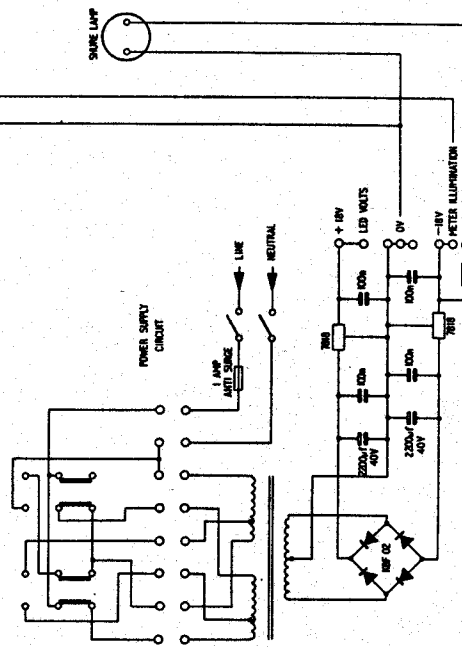
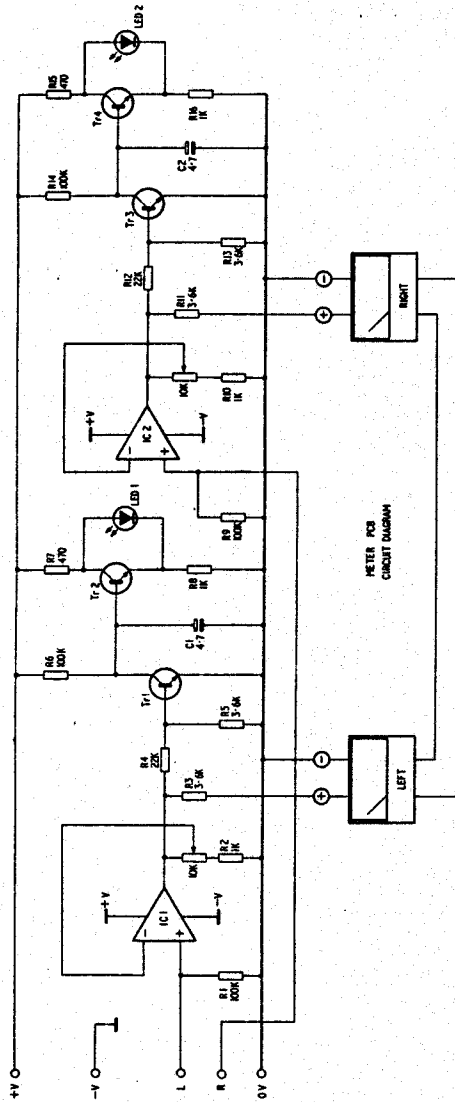
ICHO 1 & 2 SIZES ARE DIMENSIONED TO OTHER BOARD CONNECTIONS

ICHO 1 & 2 SIZES ARE DIMENSIONED TO OTHER BOARD CONNECTIONS

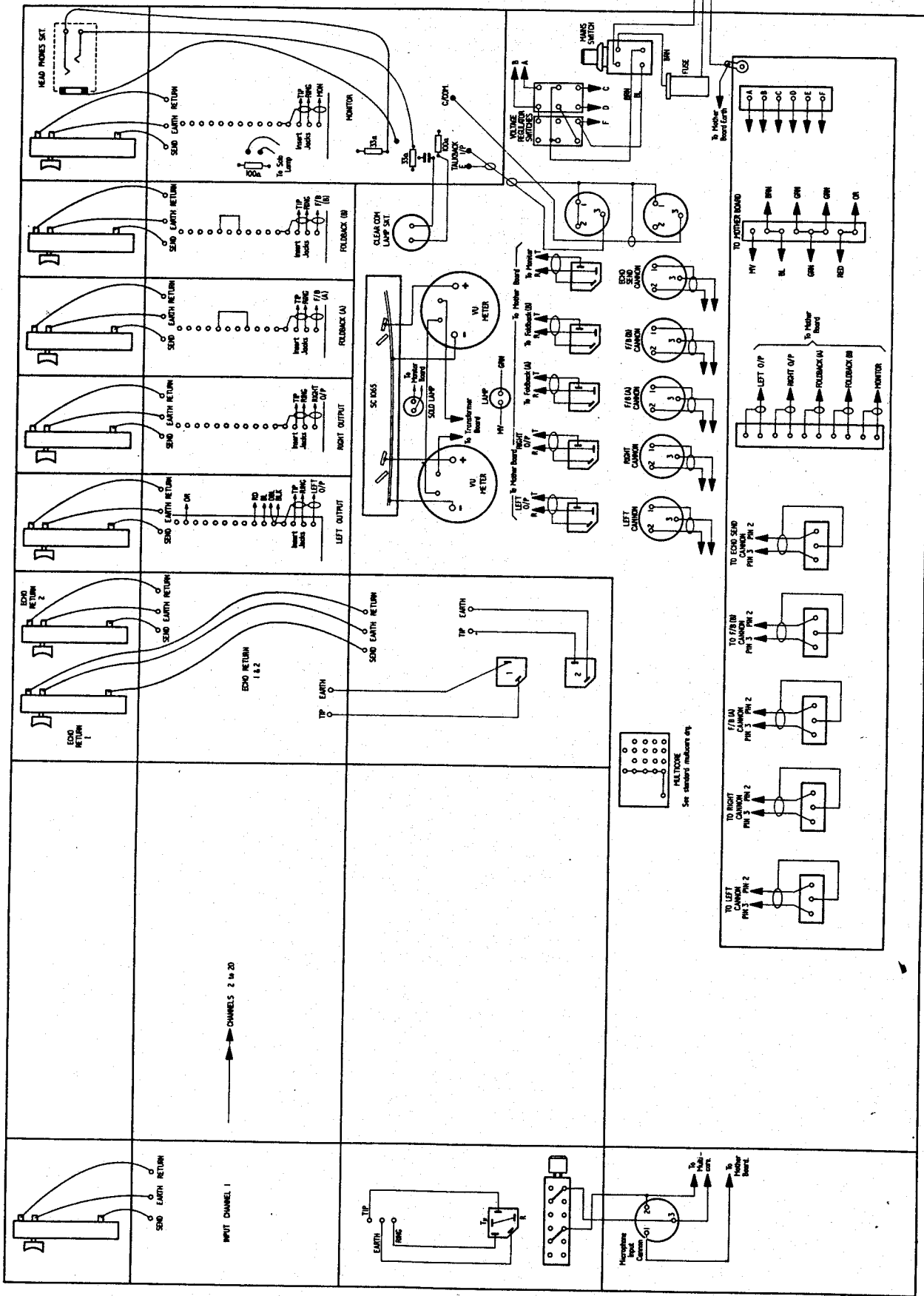
ICHO 1 & 2 SIZES ARE DIMENSIONED TO OTHER BOARD CONNECTIONS

ICHO 1 & 2 SIZES ARE DIMENSIONED TO OTHER BOARD CONNECTIONS

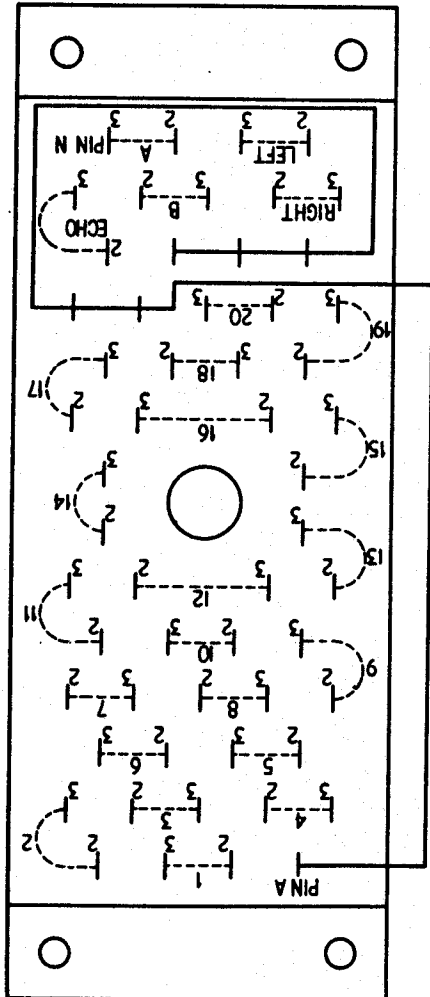
ICHO 1 & 2 SIZES ARE DIMENSIONED TO OTHER BOARD CONNECTIONS



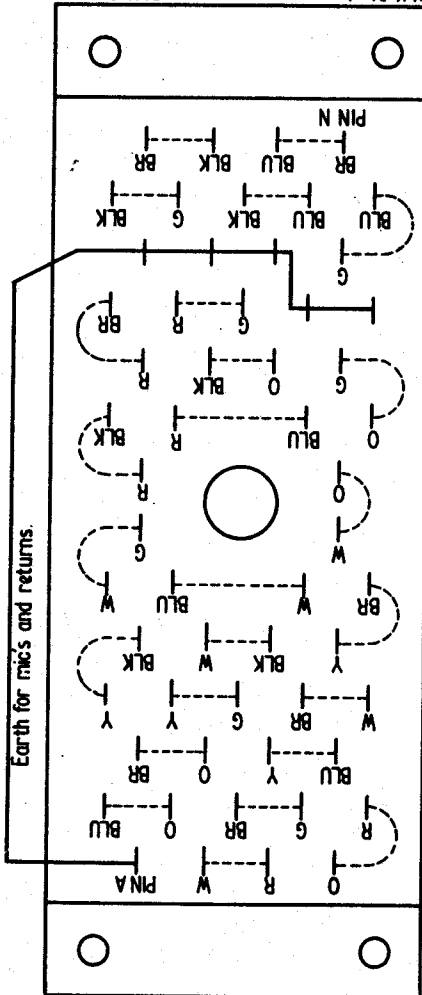
SERIES 15 METER PSU & TRANSFORMER PCBS CIRCUIT DIAGRAM	SOUNDSCRAFT ELECTRONICS LTD 5-8 GREAT SUTTON STREET LONDON EC1, ENGL. TELEPHONE: 01-291-9831/2/3 TELEGRAMS: SOUNDSCRAFT LHM EC1 TELEX: UK No. 31198. USA No. 01-2203	DATE	DRN	BY
		FINISH	TRCD	
		SCALE	CHKD	
HOLES INDEX				
TOLERANCE	All imperial dimensions ±0.01 All metric dimensions ±0.25mm All angles ±0.50° Unless otherwise stated			
NOTES	Resistors in ohms Capacitors in micro farads Unless otherwise stated			
REVISED				



TITLE SIZES 15 WING DETAILS	SOUND-CRAFT ELECTRONICS LTD 5-8 GREAT BUTTON STREET LONDON EC1, ENGL. TELEPHONE: 01-251-8831/2/3 TELEGRAMS: SOUND-CRAFT LHM EC1 TELEX: UK No. 21189, USA No. 01-25203	DRN	MATL	HOLE INDEX All imperial dimensions ± 0.01 All metric dimensions ± 0.25mm All angles ± 0.50° Unless otherwise stated	NOTES	TOLERANCE All imperial dimensions ± 0.01 All metric dimensions ± 0.25mm All angles ± 0.50° Unless otherwise stated
		SW7Y TRCD	FINISH SCALE			



Connections for stage box and mixer.
56 way varico male connector.



20+5 pair multicore connectors for
56 way varico female connector.

BLK-Black
BR-Brown
R-Red
O-Orange
G-Green
Y-Yellow
BLU-Blue
V-Violet
P-Pink
T-Turquoise
W-White

TOLERANCE
All imperial dimensions ± 0.01
All metric dimensions $\pm 0.25\text{mm}$
All angles $\pm 0.50^\circ$
Unless otherwise stated

HOLE INDEX

MATL
FINISH
SCALE

DRN Barry
TRCD
CHKD

SOUNDCRAFT ELECTRONICS LTD.
5-8 GREAT SUTTON STREET
LONDON EC2V 0BX.
TELEPHONE. 01-251-3631/2/3
TELEGRAMS. SOUNDCRAFT LDN EC1
TELEX. UK.No.21198 USA No.01-2203