



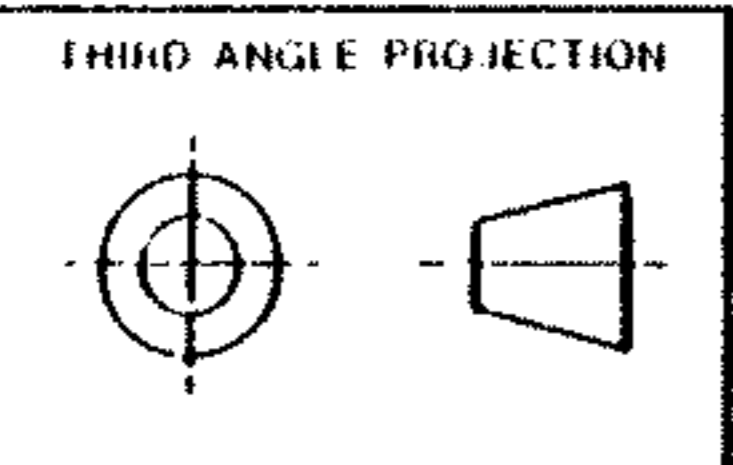
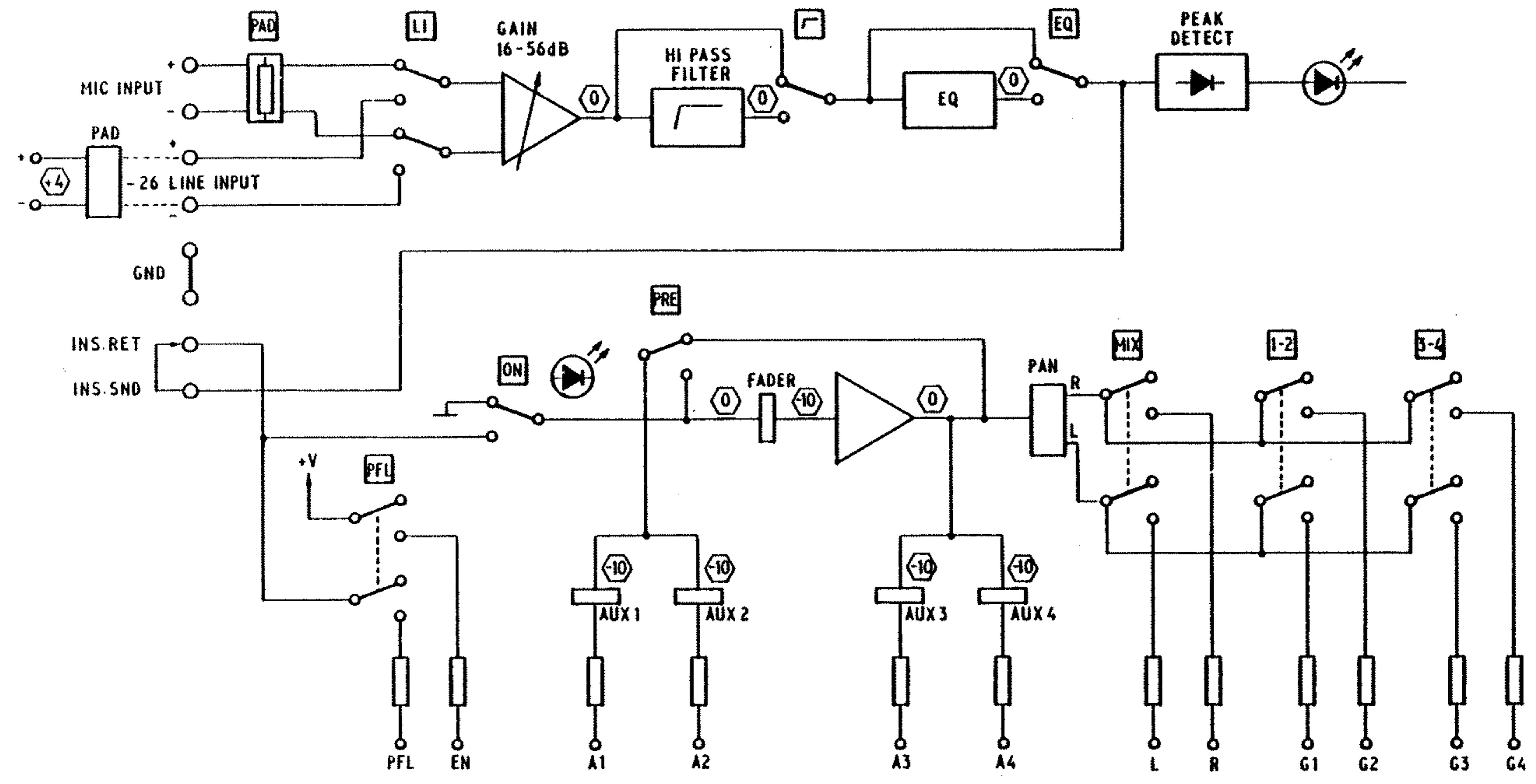
Block Diagram Schematics

**SOUNDCRAFT ELECTRONICS LTD,
5 GREAT SUTTON STREET,
LONDON EC1V 0BX.**

**TEL : 01-251-3631
TELEX : 21198**

**SOUNDCRAFT E.A.D INC.,
20610 MANHATTAN PLACE,
SUITE 20,
TORRANCE,
CALIFORNIA 9050
TEL : (213) 3282595
TELEX : 182499**

ISSUE 1
1 - 12 - 82



TOLERANCE

HOLE INDEX

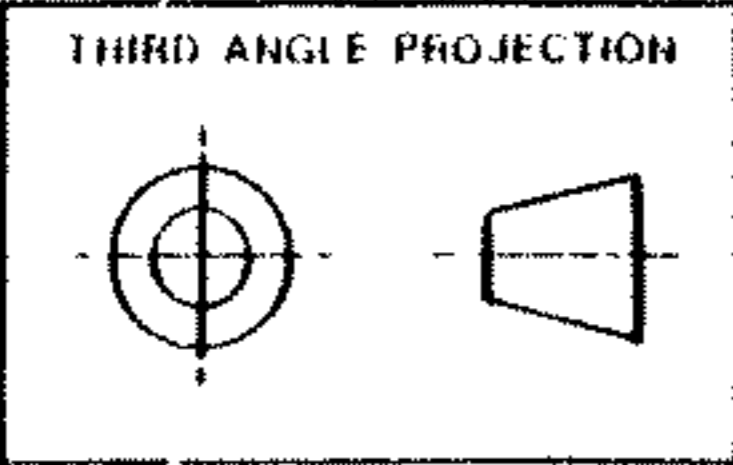
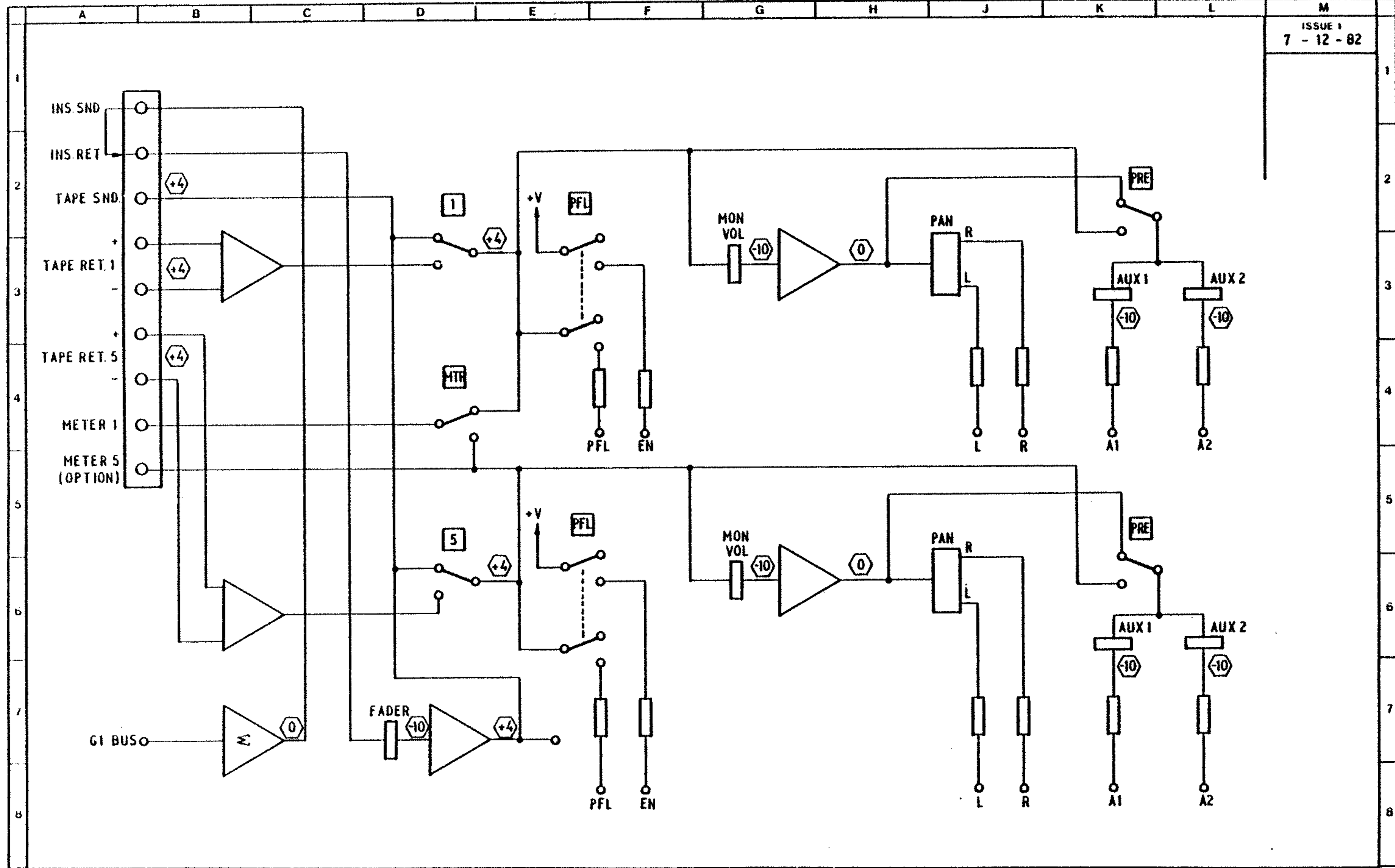
MATL
FINISH
SCALE

DRN Mark
TRCD
CHKD

SOUNDCRAFT ELECTRONICS LTD
5-8 GREAT SUTTON STREET
LONDON EC4V 0BX.
TELEPHONE: 01-251-3631/2/3
TELEGRAMS: SOUNDCRAFT LDN EC1
TELEX: UK No. 21198 USA No. 224408

TITLE 4001
STANDARD INPUT
BLOCK DIAGRAM
DRG No MI 2267

ISSUE 1
7 - 12 - 82



TOLERANCE

HOLE INDEX

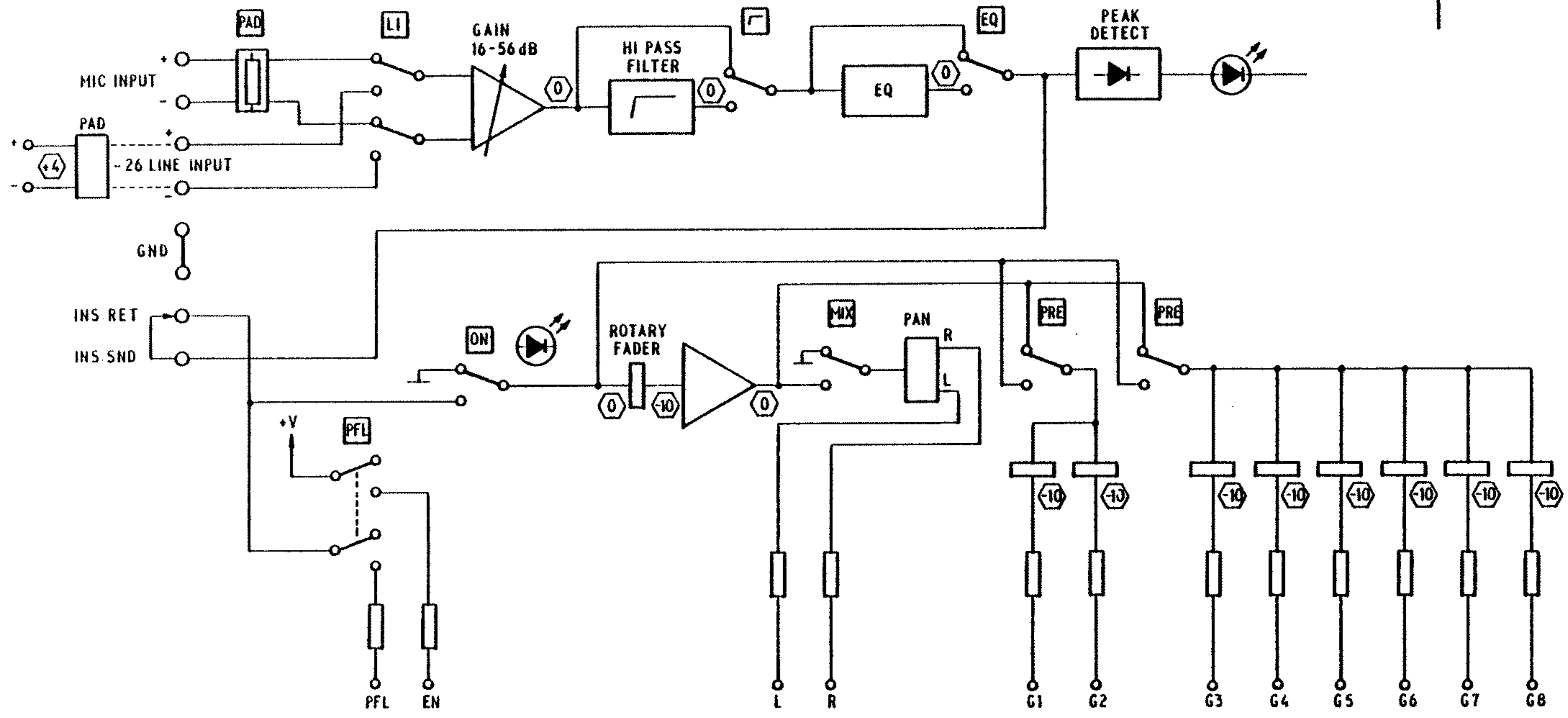
MATL
FINISH
SCALE

DRN
Mark
TRCD
CHKD

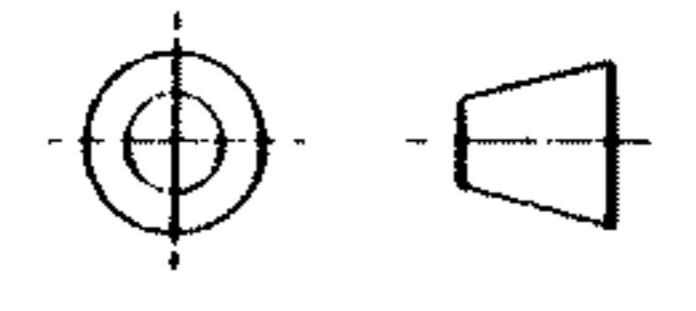
SOUNDCRAFT ELECTRONICS LTD
5-8 GREAT SUTTON STREET
LONDON EC4V 0BA.
TELEPHONE 01-251-3631/2/3
TELEGRAMS. SOUNDCRAFT LDN EC1
TELEX. UK No. 21198 USA No. 224408

TITLE 4002
STANDARD OUTPUT
BLOCK DIAGRAM
DHG No. M12268

ISSUE 1
2 - 12 - 82



THIRD ANGLE PROJECTION



TOLERANCE

HOLE INDEX

MATL

FINISH

SCALE

DRN
Mark

TRCD

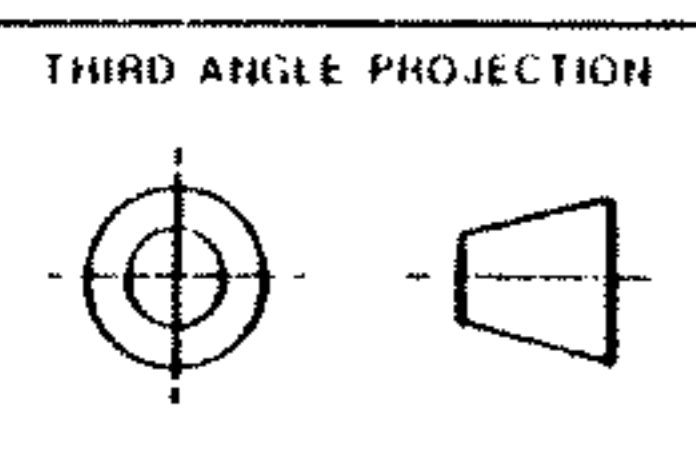
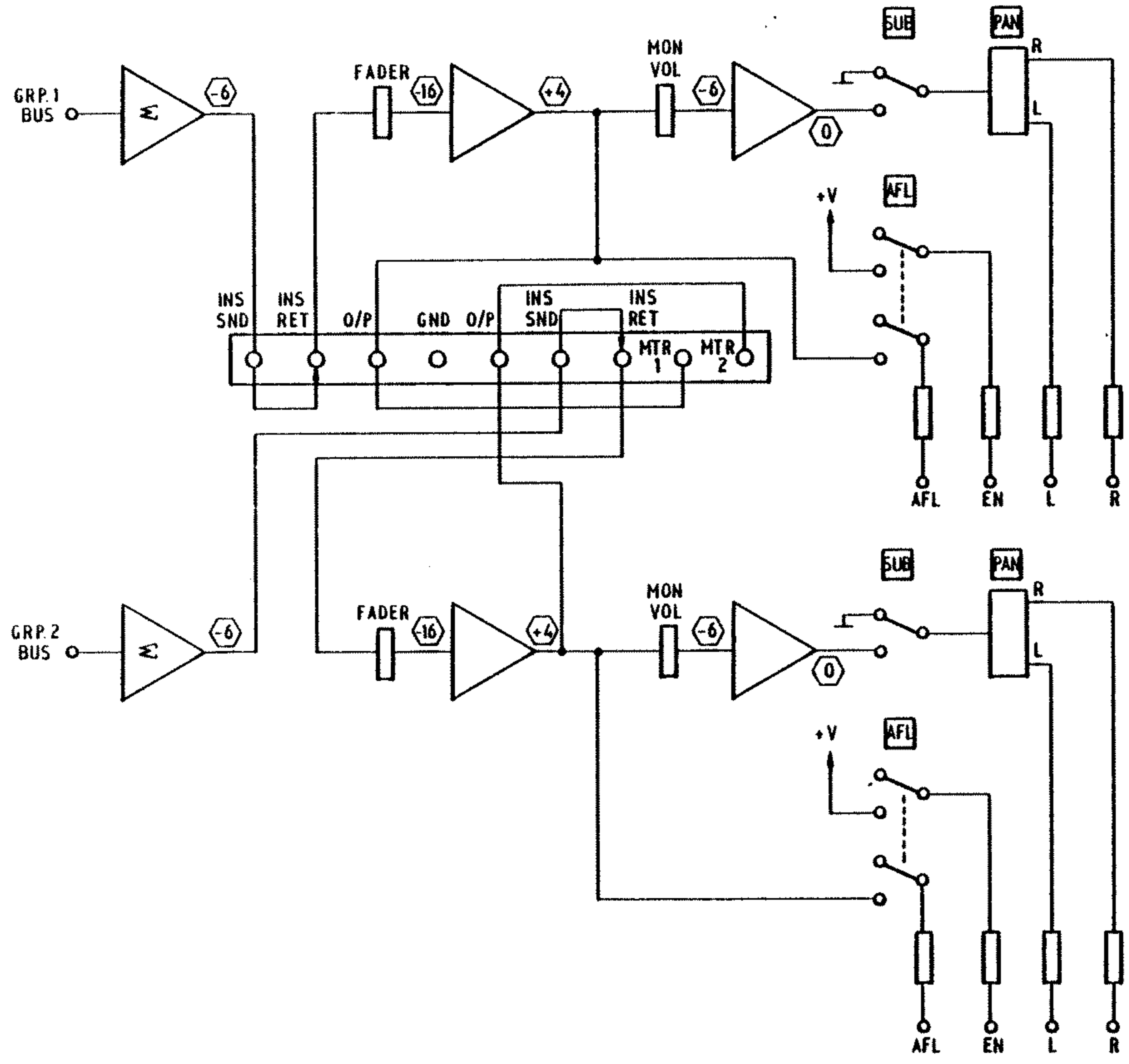
CHKD

SOUNDCRAFT ELECTRONICS LTD
5-8 GREAT SUTTON STREET
LONDON EC4V 0BX.
TELEPHONE 01-251-3631/2/3
TELEGRAMS. SOUNDCRAFT LDN EC1
TELEX UK No. 2119B. USA No. 224408

TITLE
4003
MONITOR INPUT
BLOCK DIAGRAM

DRG. No. MI 2269

ISSUE 1
8 - 12 - 82



TOLERANCE

HOLE INDEX

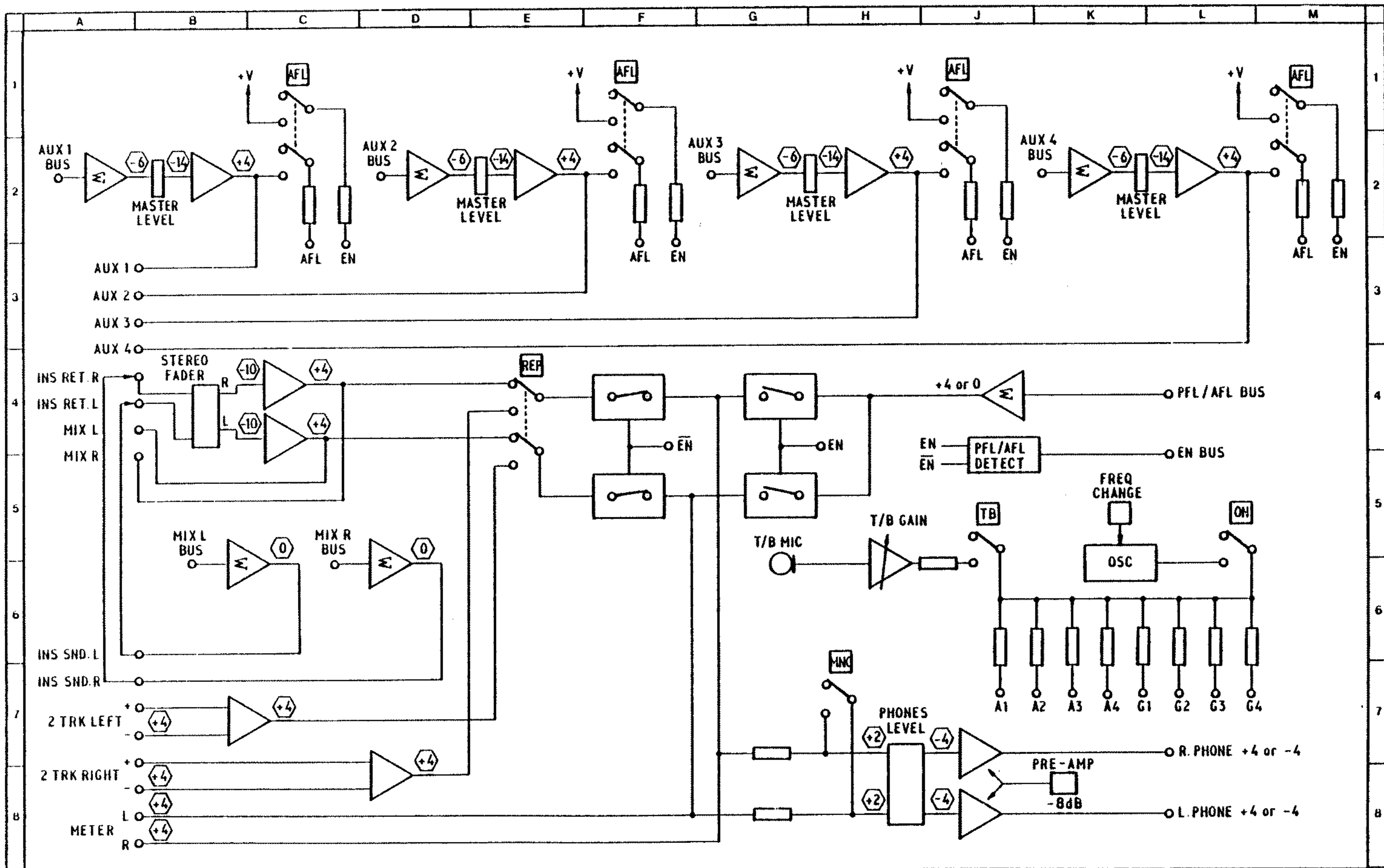
MATL
FINISH
SCALE

DRN
Mark
TRCD
CHKD

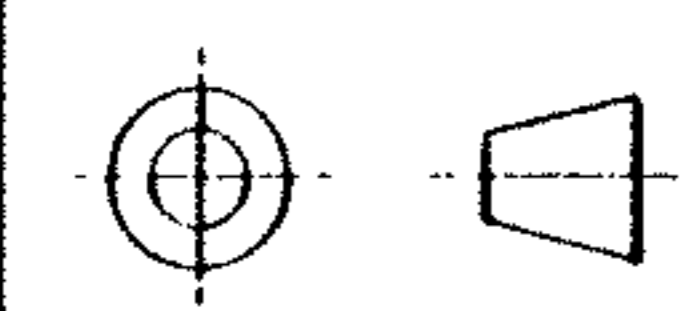
SOUNDCRAFT ELECTRONICS LTD
5-8 GREAT SUTTON STREET
LONDON EC1V 0BX.
TELEPHONE. 01-251-3631/2/3
TELEGRAMS. SOUNDCRAFT LDN EC1
TELEX. UK. No. 21198 USA. No. 224408

TITLE
4004
MONITOR OUTPUT
BLOCK DIAGRAM

DRG. No **M12270**



THIRD ANGLE PROJECTION



TOLERANCE

HOLE INDEX

MAT1

FINISH

SCALE

DRM
Mark

TRCD

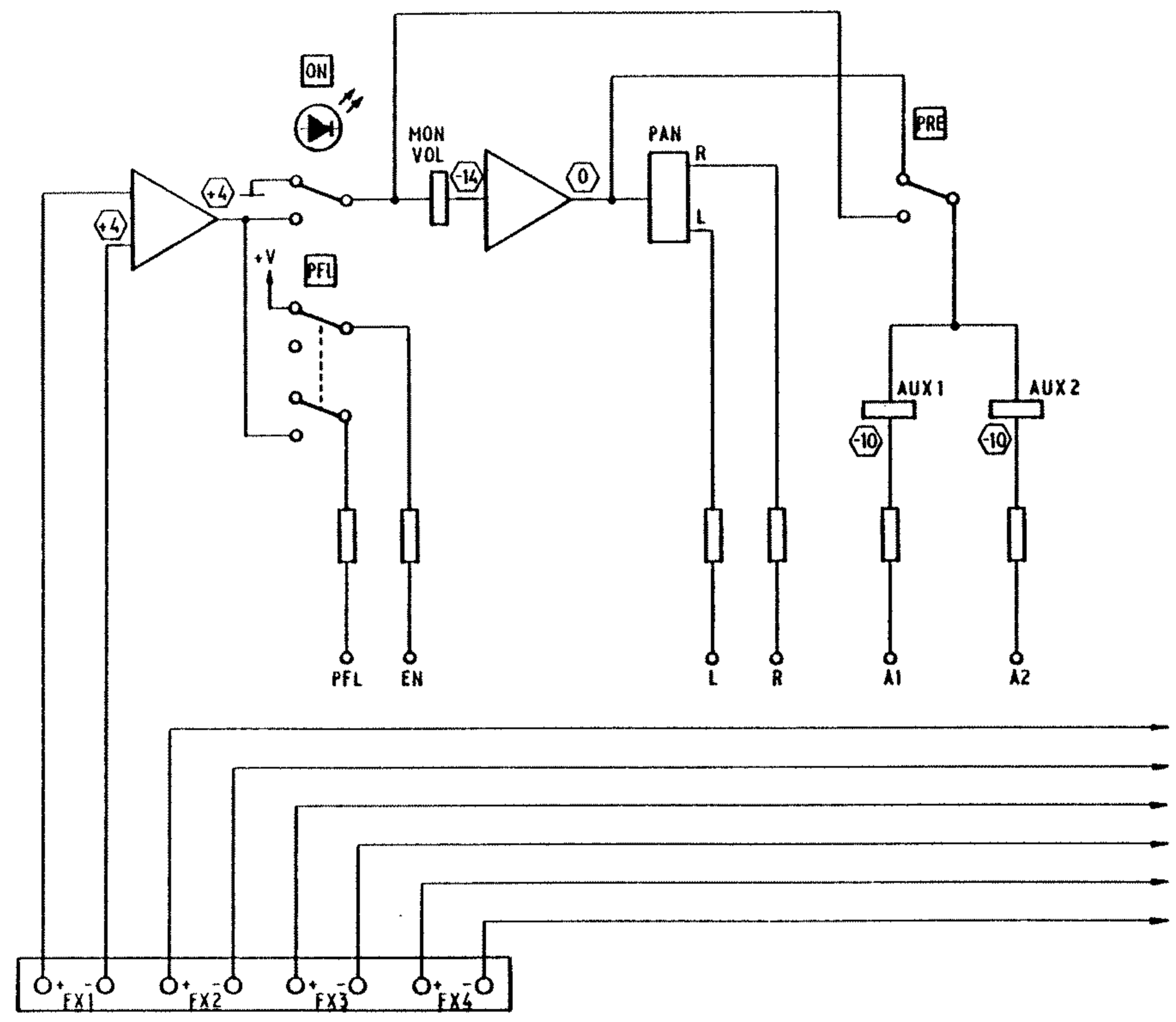
CHKD

SOUNDCRAFT ELECTRONICS LTD
5-8 GREAT SUTTON STREET
LONDON EC1V 0BX.
TELEPHONE 01-251-3631/2/3
TELEGRAMS: SOUNDCRAFT LDN EC1
TELEX: UK No 21198 USA No 224408

TITLE 4005
STANDARD MASTER
BLOCK DIAGRAM

DRG No MI 2271

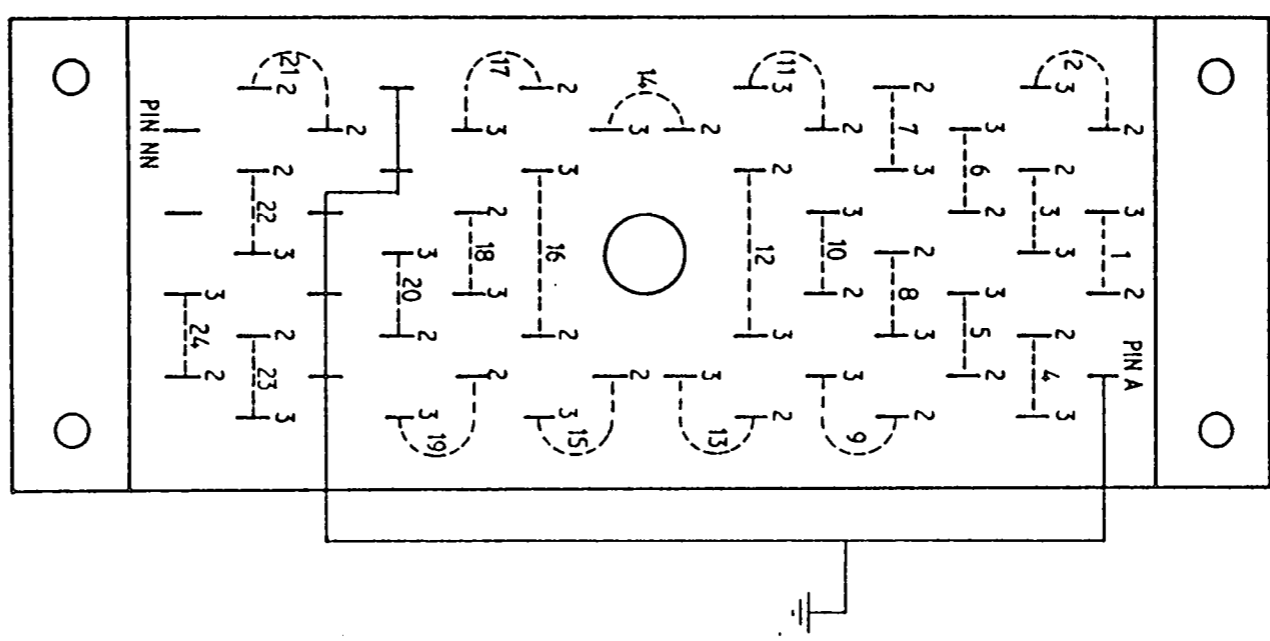
ISSUE 1
7-12-82



CIRCUITRY FOR 2,3 & 4.
IDENTICAL TO ABOVE.

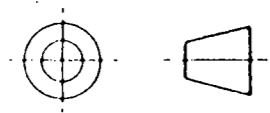
THIRD ANGLE PROJECTION 	TOLERANCE	HOLE INDEX	MATL	DRN Mark	SOUNDCRAFT ELECTRONICS LTD 5-8 GREAT SUTTON STREET LONDON EC1V 0BX. TELEPHONE: 01-251-3631/2/3 TELEGRAMS: SOUNDCRAFT LDN EC1 TELEX: UK No. 21198 USA No. 224408	TITLE 4006 EFFECTS RETURN BLOCK DIAGRAM
			FINISH	TRCD		DRG. No. M12272
			SCALE	CHKD		

ISSUE 1
6 - 12 - 82



Viewed from solder pin side of free connector.
For 32 channel, use two connectors wired 1-16.

THIRD ANGLE PROJECTION



TOLERANCE

HOLE INDEX

MATL —

FINISH —

SCALE —

DRN

Barry

TRCD

CHKD

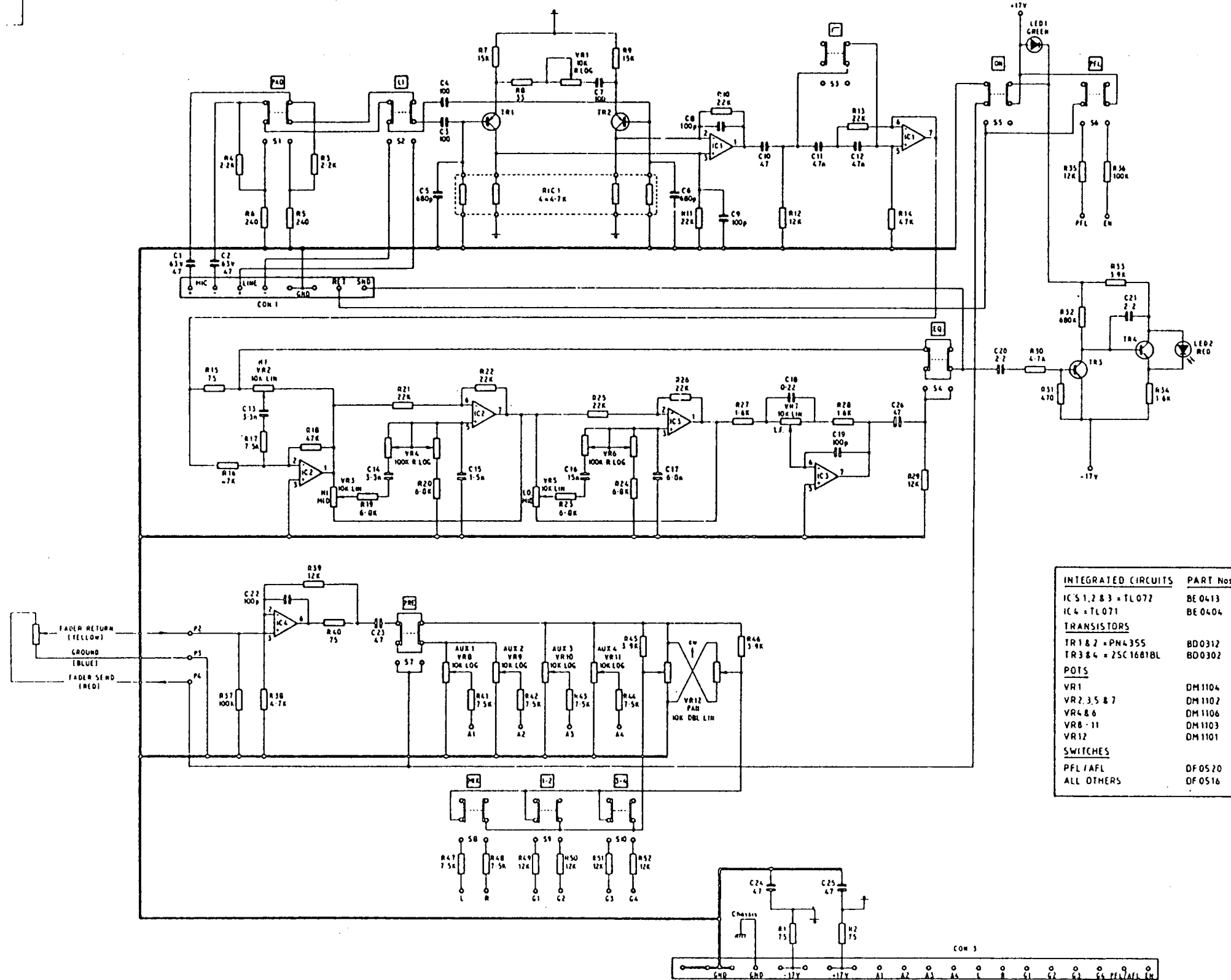
SOUNDCRAFT ELECTRONICS LTD
5-8 GREAT SUTTON STREET
LONDON EC1V 0BX
TELEPHONE 01-251-3631/2/3
TELEGRAMS SOUNDCRAFT LDN EC1
TELEX UK No 2119B USA No 22440B

TITLE STD MIC
MULTICORE CONNECTIONS

DRG No M12276

ED 2117

Rev	1
Issue	2
Date	12/82



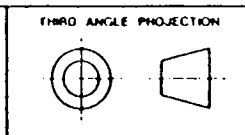
INTEGRATED CIRCUITS	PART Nos
IC'S 1, 2 & 3 - TL072	BE 0413
IC 4 - TL071	BE 0404
TRANSISTORS	
TR 1 & 2 - PN4355	BD0312
TR 3 & 4 - 2SC1681BL	BD0302
POTS	
VR 1	DM1104
VR 2, 3, 5 & 7	DM1102
VR 4 & 6	DM1106
VR 8 - 11	DM1103
VR 12	DM1101
SWITCHES	
PFL / AFL	DF 0520
ALL OTHERS	DF 0516

Copyright reserved
All rights reserved
This drawing is the property of the drawing office and is not to be reproduced without the written permission of the drawing office.

NOTES
All resistors in ohms
Capacitors in micro farads
Unless otherwise stated
PART No RA0266

HOLE INDEX

TOLERANCE:
All imperial dimensions ± 0.10
All metric dimensions ± 0.25
All angles $\pm 0.50^\circ$
Unless otherwise stated



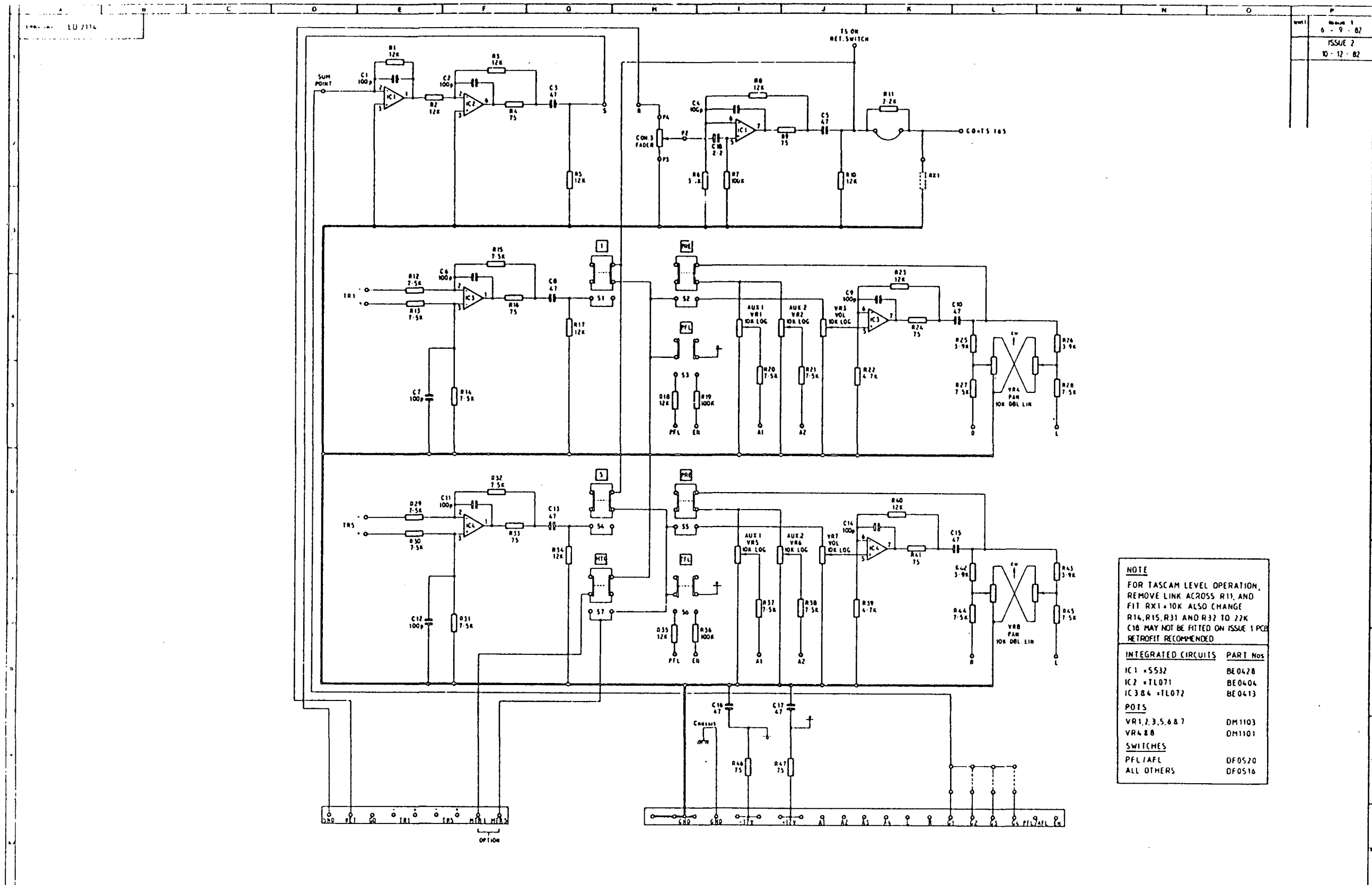
MATL —
FRSH —
SCALE —

DRG Mark
TRCD
CHFD

SOUNDRAFT ELECTRONICS LTD
3-8 GREAT SWITTON STREET
LONDON EC4V 0BX
TELEPHONE 01-251-3631/2/3
TELEGRAMS SOUNDRAFT LDM EC1
TELEX UK No 21108 USA No 01-2203

TITLE 4001
STANDARD INPUT
MOD1
(FOR SC1278)

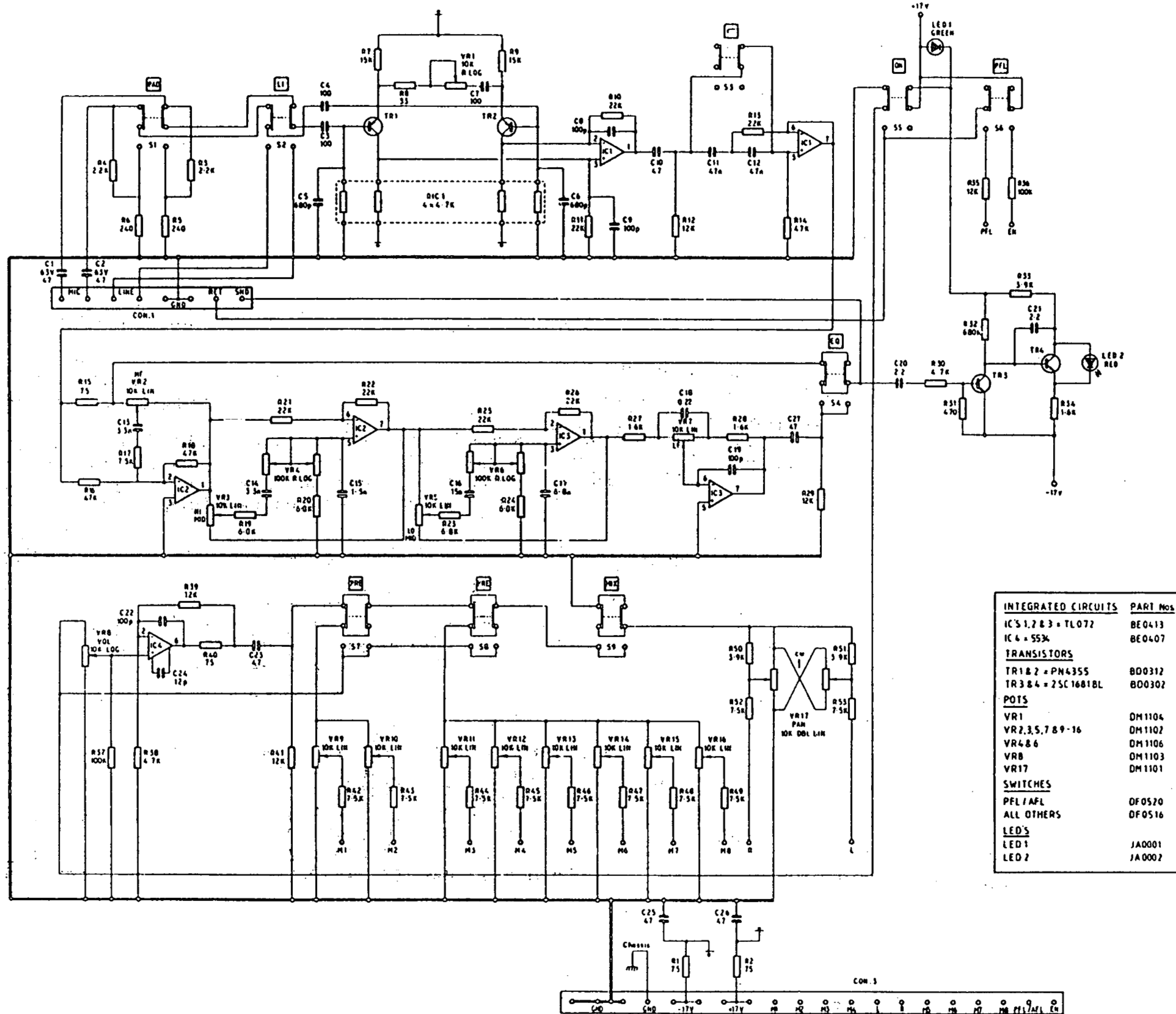
DRG No ED 2117



NOTE
 FOR TASCAM LEVEL OPERATION,
 REMOVE LINK ACROSS R11, AND
 FIT RX1 = 10K ALSO CHANGE
 R14, R15, R31 AND R32 TO 27K
 C18 MAY NOT BE FITTED ON ISSUE 1 PCB
 RETROFIT RECOMMENDED

INTEGRATED CIRCUITS	PART Nos
IC1 - 5532	BE0428
IC2 - TL071	BE0404
IC3 & 4 - TL072	BE0413
POTS	
VR1, 2, 3, 5, 6 & 7	DM1103
VR4 & 8	DM1101
SWITCHES	
PFL / AFL	DF0520
ALL OTHERS	DF0516

<p>UNLESS OTHERWISE SPECIFIED DIMENSIONS ARE IN MILLIMETERS DIMENSIONS IN PARENTHESES ARE IN INCHES DIMENSIONS IN BRACKETS ARE IN MILLIMETERS DIMENSIONS IN SQUARE BRACKETS ARE IN INCHES</p>	<p>NOTES All resistors in ohms Capacitors in micro farads Unless otherwise stated PART No RA0267</p>	<p>HOLE INDEX</p>	<p>TOLERANCE All imperial dimensions ± 0.010 All metric dimensions $\pm 0.25mm$ All angles $\pm 0.50^\circ$ Unless otherwise stated</p>	<p>THIRD ANGLE PROJECTION</p>	<p>MATL. — FRONT — SCALE —</p>	<p>DRG Mark TRCD CHRD</p>	<p>SOUNDRAFT ELECTRONICS LTD 5-8 GREAT SUTTON STREET LONDON EC1V 0BR TELEPHONE: 01-251-3611/2/3 TELEGRAMS: SOUNDRAFT LON EC1 TELEX UK No 21108 USA No 01-2203</p> <p>TITLE 4007 STANDARD OUTPUT MODUL (FOR SC12791)</p> <p>DRG No ED 2114</p>
---	---	--------------------------	---	--------------------------------------	---	--	--

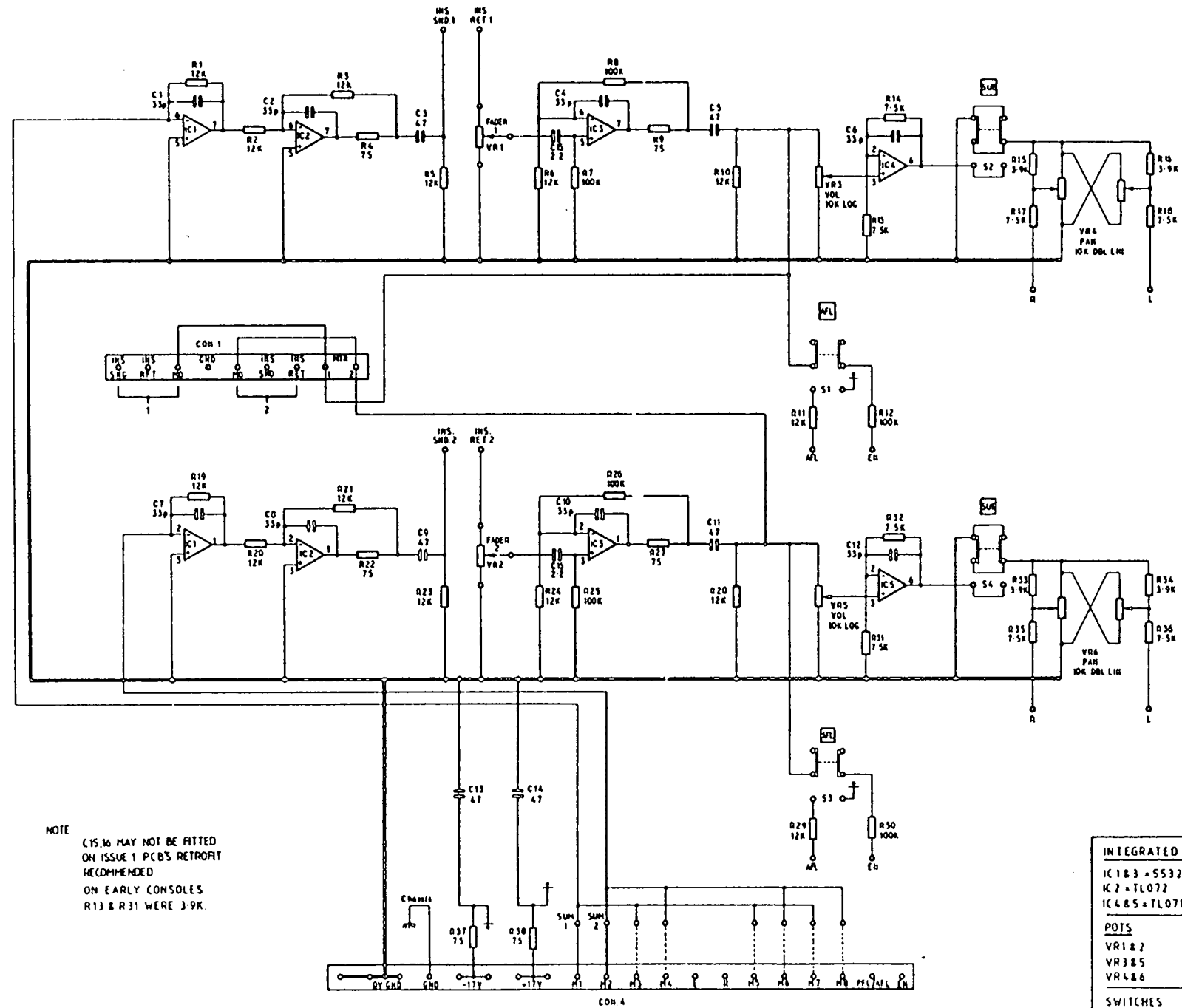


INTEGRATED CIRCUITS	PART Nos
IC'S 1, 2 & 3 = TL072	BE0413
IC 4 = 5534	BE0407
TRANSISTORS	
TR1 & 2 = PN4355	BD0312
TR3 & 4 = 2SC1681BL	BD0302
POIS	
VR1	DM1104
VR2, 3, 5, 7, 8, 9 - 16	DM1102
VR4 & 6	DM1106
VR8	DM1103
VR17	DM1101
SWITCHES	
PFL / AFL	DF0520
ALL OTHERS	DF0516
LED'S	
LED 1	JA0001
LED 2	JA0002

<p>NOTE: All resistors in ohms Capacitors in micro farads Unless otherwise stated PART No RA0768</p>	<p>HOLE INDEX</p>	<p>TOLERANCE All imperial dimensions ±0.010 All metric dimensions ±0.25mm All angles 1:50° Unless otherwise stated.</p>	<p>THIRD ANGLE PROJECTION</p>	<p>MATL. — FINISH — SCALE —</p>	<p>DRG Mark THCD CHKD</p>	<p>SOUNDCRAFT ELECTRONICS LTD 5-8 GREAT SUTTON STREET LONDON EC4V 6BR TELEPHONE 01-251-3631/2/3 TELEGRAMS SOUNDCRAFT LDN EC1 TELEX UK No 21198 USA No 01-2203</p>	<p>TITLE 4003 MONITOR INPUT MODULE (FOR SC1280)</p> <p>DRG No LD 7113</p>
--	-------------------	---	-------------------------------	---	-----------------------------------	---	---

Doc No. EU 2111

Issue 1
19-8-82
ISSUE 2
10-12-82



NOTE
C15,16 MAY NOT BE FITTED
ON ISSUE 1 PCB'S RETROFIT
RECOMMENDED
ON EARLY CONSOLES
R13 & R31 WERE 3.9K.

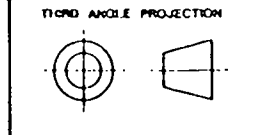
INTEGRATED CIRCUITS	PART Nos
IC1 & 3	5532 BE0428
IC2	TL072 BE0413
IC4 & 5	TL071 BE0404
POTS	
VR1 & 2	DD0316
VR3 & 5	DM1103
VR4 & 6	DM1101
SWITCHES	
AFL/PFL	DF0520
ALL OTHERS	DF0516

SOUNDRAFT Electronics Limited
Own the Copyright of this drawing
which is not to be copied, reproduced
or disclosed in part or whole, to a
third party without written permission.

NOTES
All resistors in ohms
Capacitors in micro farads
Unless otherwise stated
PART No RA0269

HOLE ORDER

TOLERANCE:
All imperial dimensions ± 0.010
All metric dimensions $\pm 0.25mm$
All angles $\pm 0.50^\circ$
Unless otherwise stated.

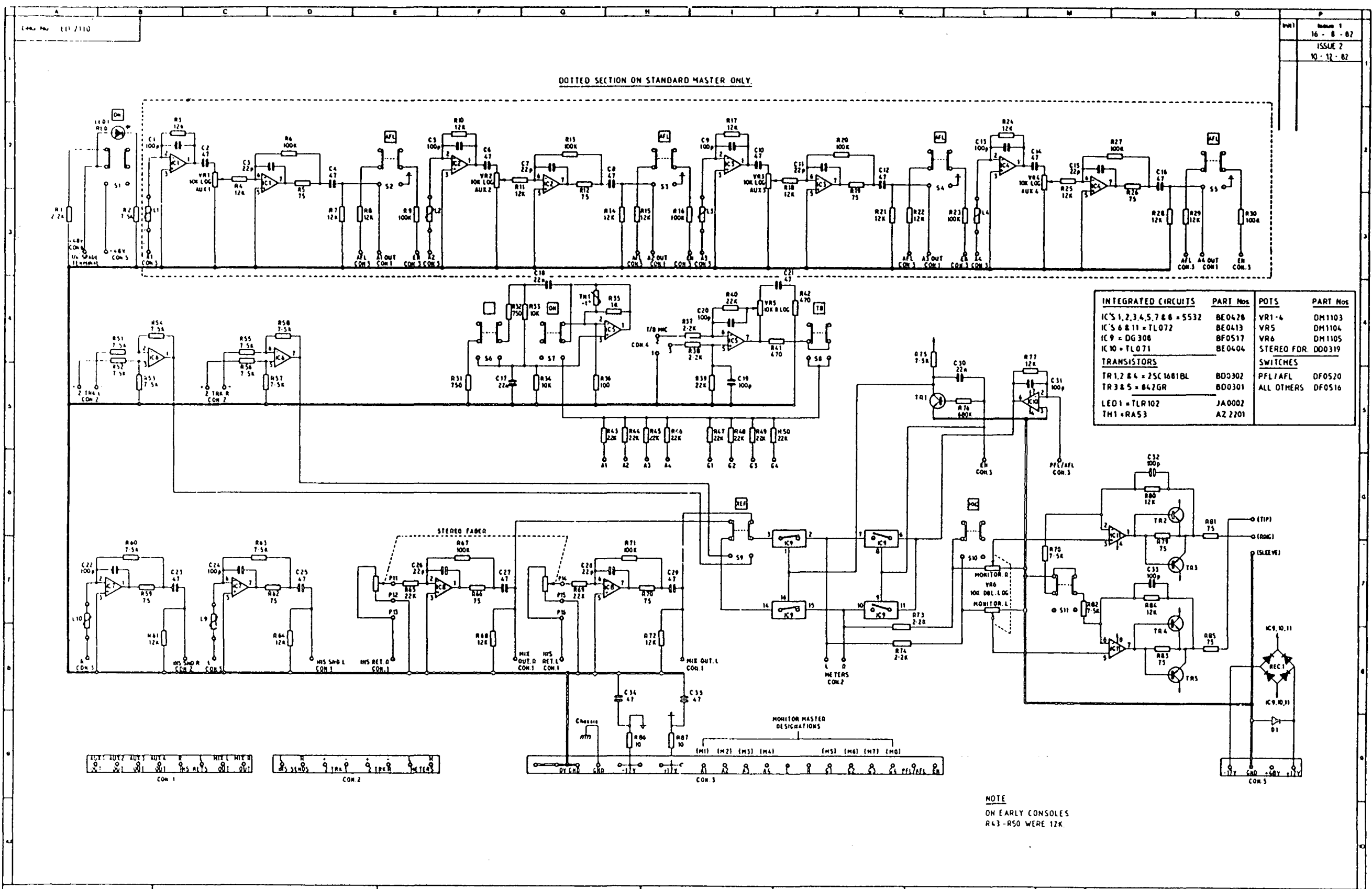


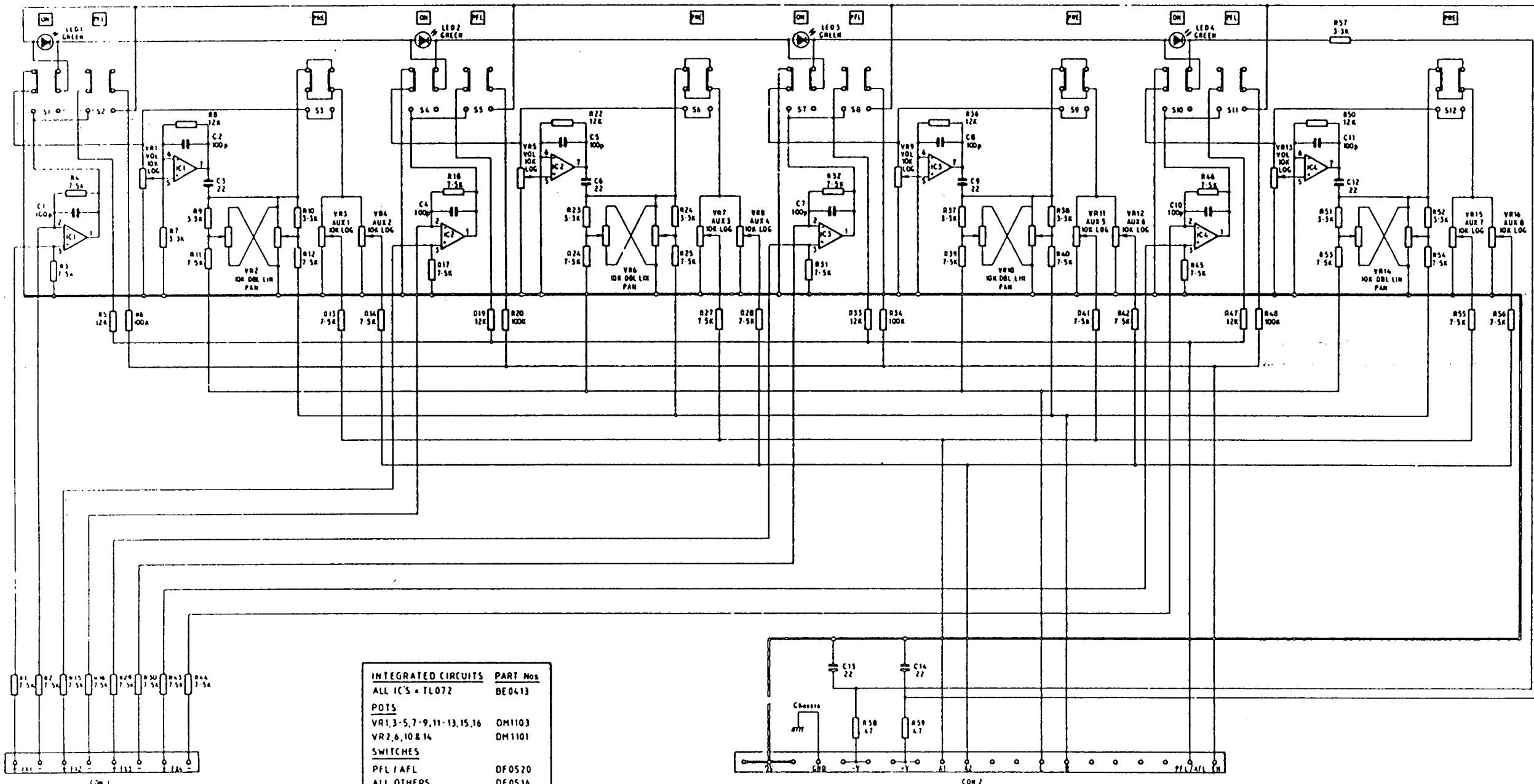
MATL. —
PDSHL. —
SCALE. —

DRG. Mark
TRCD.
CHKD.

SOUNDRAFT ELECTRONICS LTD.
8-8 GREAT BUTTON STREET
LONDON EC4V 02X.
TELEPHONE 01-251-3631/2/3
TELEGRAMS SOUNDRAFT LDN EC1
TELEX UK No 21198 USA No 01-2203

TITLE. 4004
MONITOR OUTPUT
MODL
(FOR SC1281)
DRG No. EU 2111





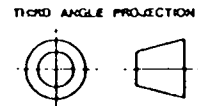
INTEGRATED CIRCUITS	PART Nos
ALL IC'S - TL072	BE 0413
POIS	
VR1,3,5,7,9,11,13,15,16	DM1103
VR2,6,10 & 14	DM1101
SWITCHES	
PFL / AFL	DF0520
ALL OTHERS	DF0516
LED'S	
ALL LED'S	JA0001

Soundcraft Electronics Limited
Own the copyright of this drawing
which is not to be copied, reproduced
or disclosed in part or whole to a
third party without written permission.

NOTES
Resistors in ohms
Capacitors in micro farads
Unless otherwise stated
PART No RA0271

HOLE INDEX

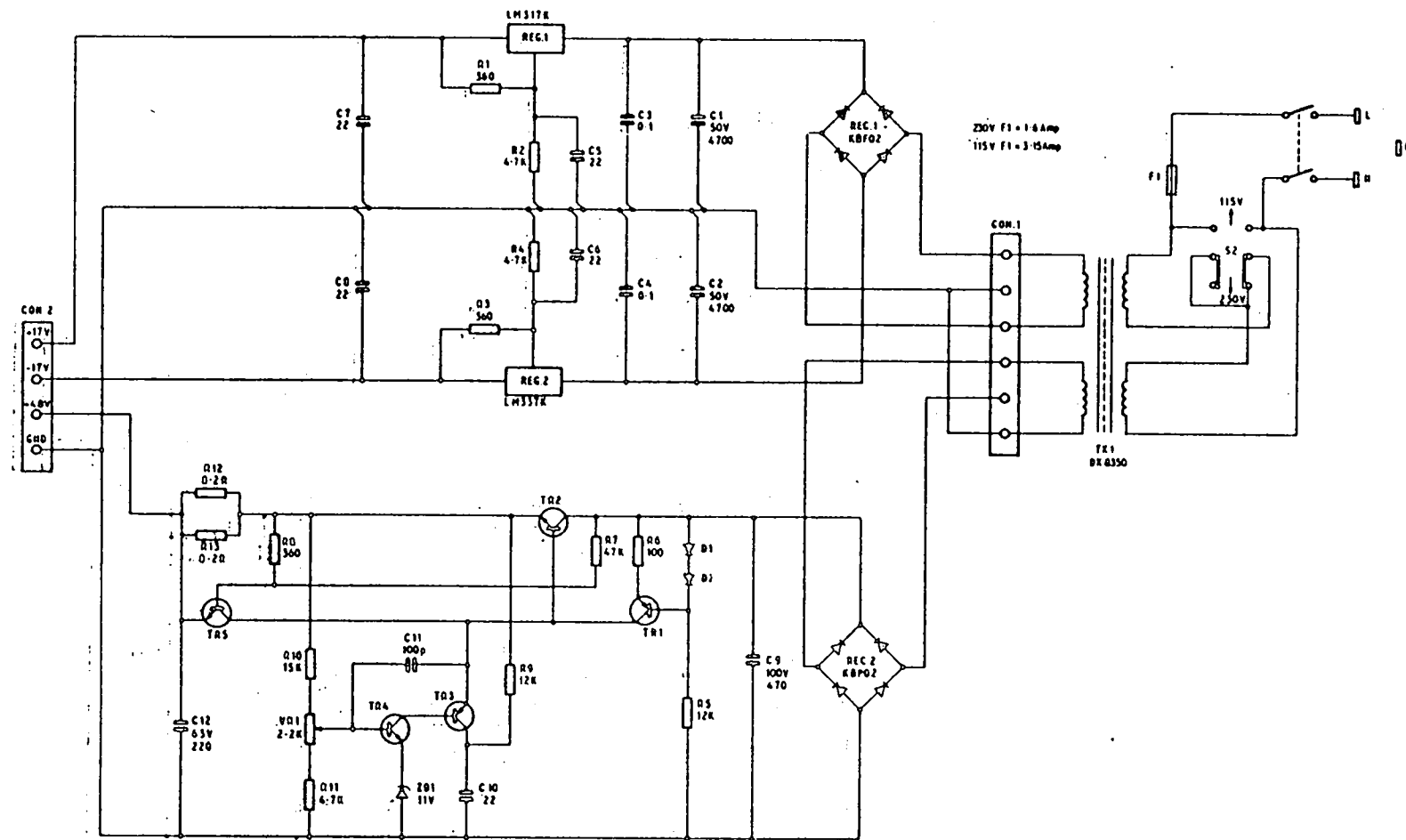
TOLERANCE
All Imperial dimensions ±0.010
All metric dimensions ±0.25mm
All angles ±0.00°
Unless otherwise stated.



MATL.	—	DRG.	Mark
FORM.	—	TRCD.	
SCALE.	—	CHGD.	

SOUND-CRAFT ELECTRONICS LTD
8-0 GREAT BUTTON STREET
LONDON, EC IV 6QR
TELEPHONE: 01-261-2631/2/3
TELEGRAMS: SOUND-CRAFT LON EC1
TELEX: LON 21180 USA No 01-2203

TITLE: 4006
EFFECTS RETURN
MOD.
(FOR SC1283)
DRG No ED 2115



TRANSISTORS
 TR1 & 3 = 2SA970GR
 TR2 = BD135
 TR4 & 5 = 2SC1618BL

Soundcraft Electronics Limited
 Own the copyright of this drawing
 which is not to be copied, reproduced
 or disclosed in part or whole, to a
 third party without written permission.

NOTES
 All resistors in ohms.
 All capacitors in micro farads.
 Unless otherwise stated.

HOLE INDEX

TOLERANCE
 All board cut dimensions ± 0.010
 All metal dimensions $\pm 0.25mm$
 All angles $\pm 0.80^\circ$
 Unless otherwise stated.

THIRD ANGLE PROJECTION

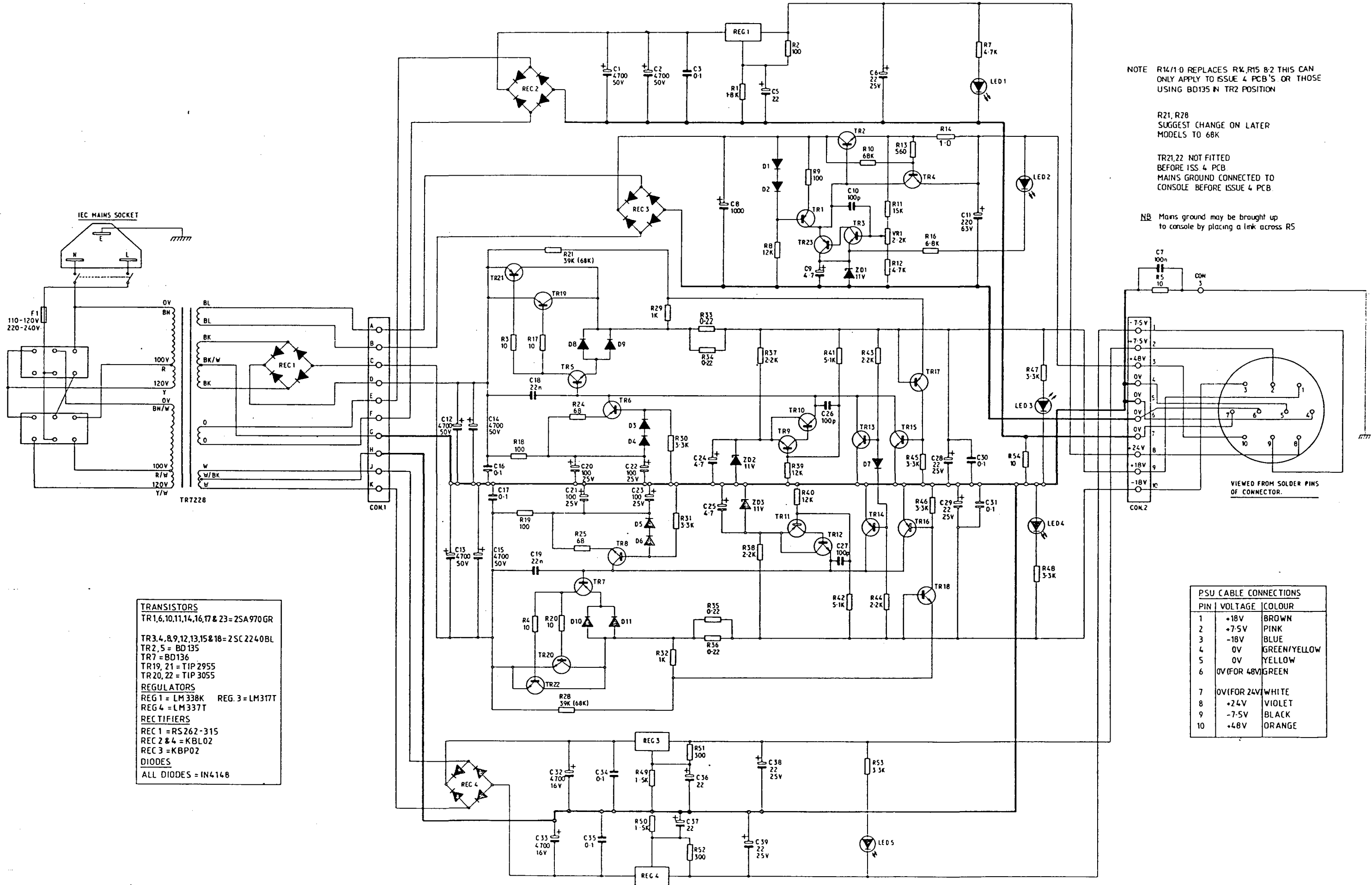
ESATL. —
 FOCCH. —
 SCALE. —

DRG. Mark
 TRCD.
 CHKD.

SOUNDRAFT ELECTRONICS LTD
 3-0 GREAT OXTON STREET
 LONDON WC1V 0DX
 TELEPHONE 01-251-3831/2/3
 TELEGRAMS SOUNDRAFT LDM EC1
 TELEF. UR. No. 21108 USA No. 01-2203

TITLE S400B
 POWER SUPPLY
 PCB

DRG No ED 2116



NOTE R14/10 REPLACES R4/R15 8.2 THIS CAN ONLY APPLY TO ISSUE 4 PCB'S OR THOSE USING BD135 IN TR2 POSITION

R21, R28 SUGGEST CHANGE ON LATER MODELS TO 68K

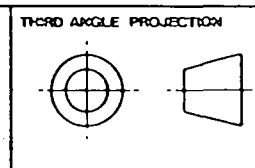
TR21, 22 NOT FITTED BEFORE ISS 4 PCB MAINS GROUND CONNECTED TO CONSOLE BEFORE ISSUE 4 PCB

NB Mains ground may be brought up to console by placing a link across R5

- TRANSISTORS**
 TR1, 6, 10, 11, 14, 16, 17 & 23 = 2SA970GR
 TR3, 4, 8, 9, 12, 13, 15 & 18 = 2SC2240BL
 TR2, 5 = BD135
 TR7 = BD136
 TR19, 21 = TIP2955
 TR20, 22 = TIP3055
- REGULATORS**
 REG1 = LM338K REG. 3 = LM317T
 REG4 = LM337T
- RECTIFIERS**
 REC1 = RS262-315
 REC2 & 4 = KBL02
 REC3 = KBP02
- DIODES**
 ALL DIODES = IN4148

PSU CABLE CONNECTIONS		
PIN	VOLTAGE	COLOUR
1	+18V	BROWN
2	+7.5V	PINK
3	-18V	BLUE
4	0V	GREEN/YELLOW
5	0V	YELLOW
6	0V (FOR 48V)	GREEN
7	0V (FOR 24V)	WHITE
8	+24V	VIOLET
9	-7.5V	BLACK
10	+4.8V	ORANGE

- Issue 1 12-11-81
- Issue 2 19-1-82
- Issue 3 3-3-82
- Issue 4 9-7-82
- Issue 5 16-11-83
- Issue 6 10-9-84



NOTES
 All resistors in ohms.
 All capacitors in microfarads, unless otherwise stated.
 R33, 34, 35, 36 all 2.5W wirewound
 FOR FURTHER No. G00336

TOLERANCE
 All imperial dimensions ±0.01
 All metric dimensions ±0.25mm
 All angles ±0.50°
 Unless otherwise stated

HOLE INDEX

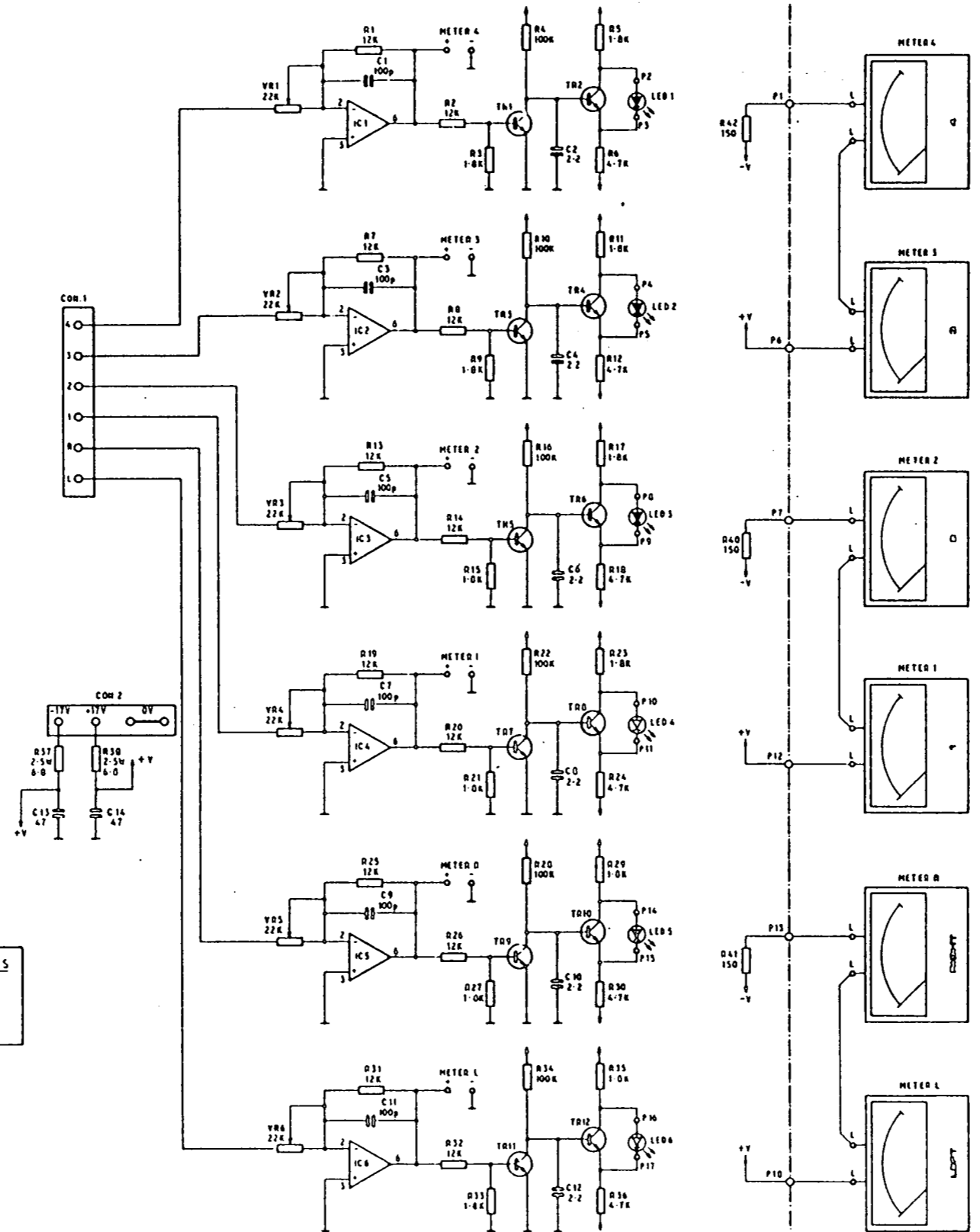
MATL —
FINISH —
SCALE —

DRN MARK
TRCD
CHKD

SOUNDCRAFT ELECTRONICS LTD
 5-8 GREAT SUTTON STREET
 LONDON EC1V 0BX.
 TELEPHONE 01-251-3631/2/3
 TELEGRAMS SOUNDCRAFT LON EC1
 FAX, UK No. 21198, USA No. 224408

TITLE
 POWER SUPPLY
 CIRCUIT DIAGRAM
 (SC1218 Iss.4)

DRG. No. ED 2093



INTEGRATED CIRCUITS
All IC'S - TL071
TRANSISTORS
All TR'S - 2SC1681BL

<p>Solidcraft Electronics Limited Own the Copyright of this drawing which is not to be copied, reproduced or otherwise used in part or whole, so as to infringe any patent without written permission.</p>	<p>NOTES All resistors in ohms All capacitors in micro farads Unless otherwise stated</p>	<p>HOLE ORDER</p>	<p>TOLERANCE All Imperial dimensions ± 0.010 All metric dimensions $\pm 0.25mm$ All angles $\pm 0.5^\circ$ Unless otherwise stated.</p>	<p>THIRD ANGLE PROJECTION</p>	<p>MATL. — FINISH. — SCALE. —</p>	<p>DRG. Mark TRCD. CHKD.</p>	<p>SOLIDCRAFT ELECTRONICS LTD 5-0 GREAT BUTTON STREET LONDON EC4V 0GK. TELEPHONE: 01-251-2831/2/3 TELEGRAMS: SOLIDCRAFT LDM EC1 TELEX: UN No 21198 USA No 01-2203</p> <p>TITLE S400B 6 WAY METER PCB + ILLUMINATION</p> <p>DRG. NO. ED 2117</p>
--	--	--------------------------	---	--------------------------------------	--	---	--