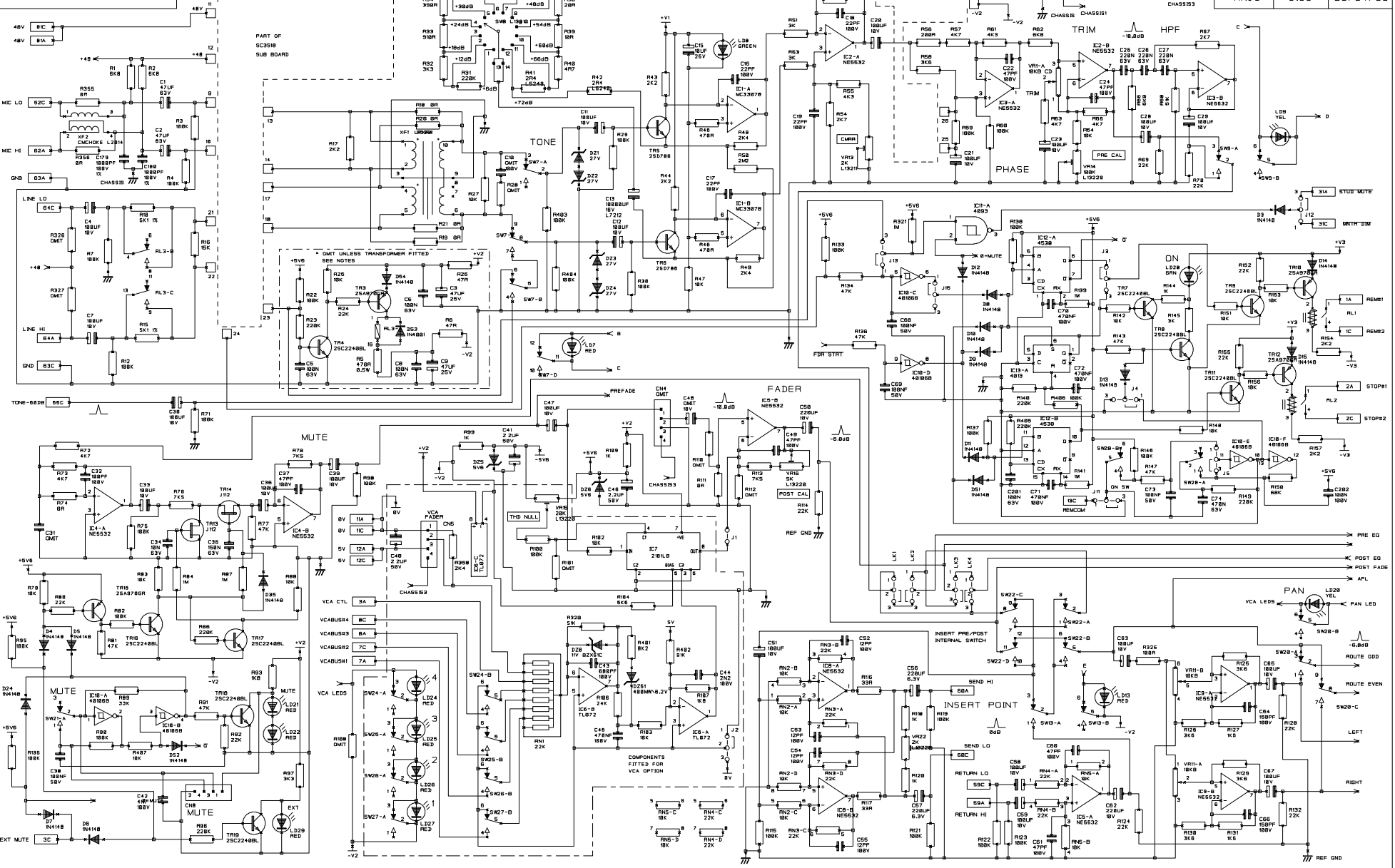


DRG NO. ED 3511A

INITIAL	ISSUE	DATE
RNJS	8.06	28/04/00



**NOTES**  
 ELECTRONIC BAL I/P  
 OMIT XF1, RL3, D53, TR3, TR4  
 R5, R6, R23-R26, R28  
 C3, C5, C6, C8-C10  
 FOR MIC/MIC OPTION (NO XF1)  
 FIT R326, R327=6K8  
 CHANGE C4, C7 TO 47uF 63V

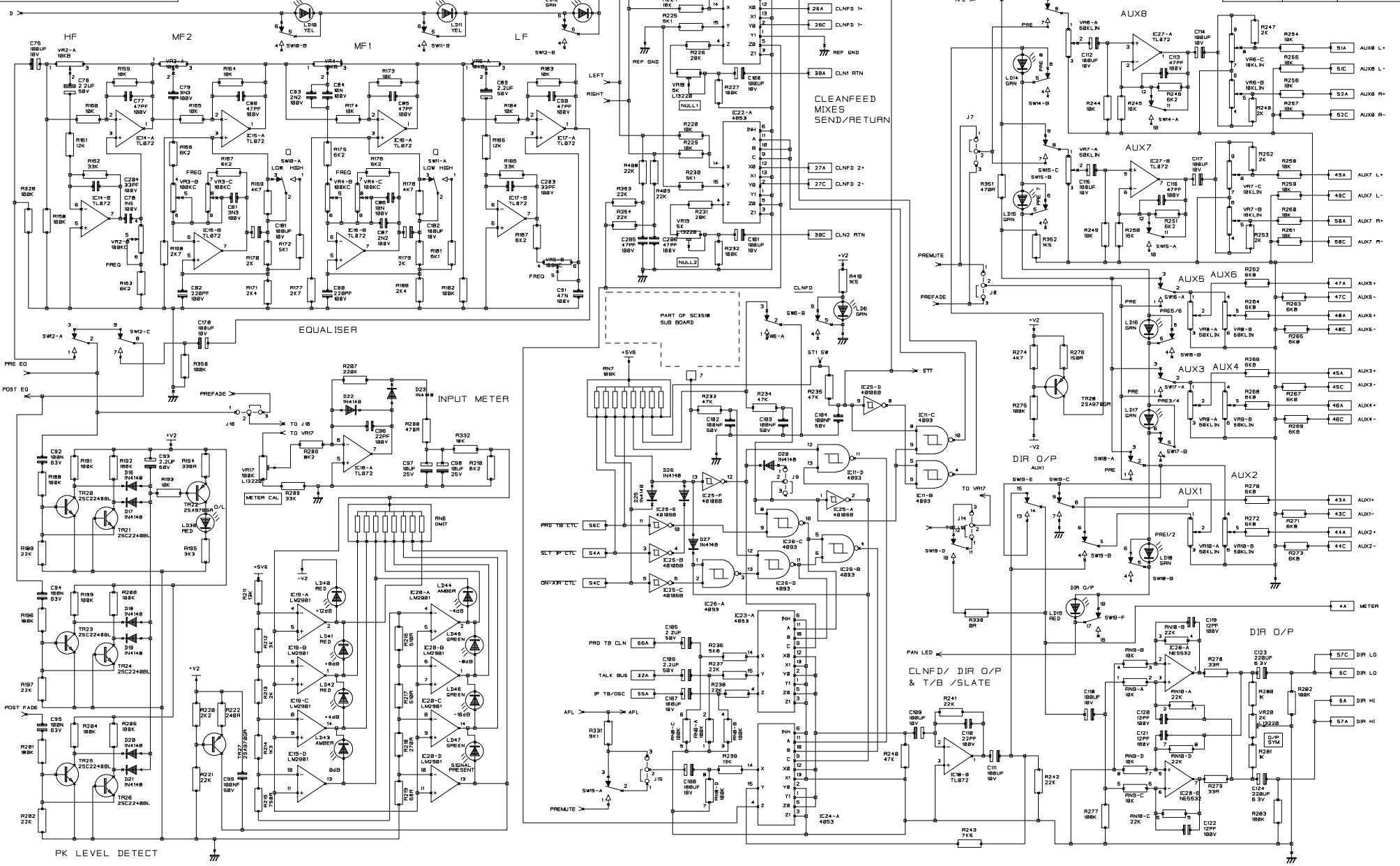
**TRANSFORMER OPTION**  
 FIT C10=2N2, R28=680R  
 RL3, XF1  
 OMIT R10, R15, R18-R21  
 REPLACE C12 WITH LINKS  
 CHANGE R17 (2K2) TO 5K1  
 R16 (15K1) TO 10K

**LINKS**  
 LK1,2,3,4 INSERT PRE FADE  
 JUMP 1-2 = PRE EQ  
 JUMP 2-3 = POST EQ (DEFAULT)  
 J1 FIT FOR VCA OPTION.

DRN	CB/VCR

TITLE	B800 MONO INPUT MODULE
DRG NO.	ED 3511A

INITIAL	ISSUE	DATE
RNJS	8.06	28/04/00



**NOTES**

J15 - DIR OUTPUT  
 FIT J15, 1-2 FOR DIR OUTPUT - PREMUTE  
 FIT J15, 2-3 FOR DIR OUTPUT - AFL

R938 - METER FEED BALAST FOR PRE/POST FADE LEVEL SHIFT  
 R939 - 10K FOR LINE UP TO +6dB  
 R938 - 10K FOR LINE UP TO 0dB

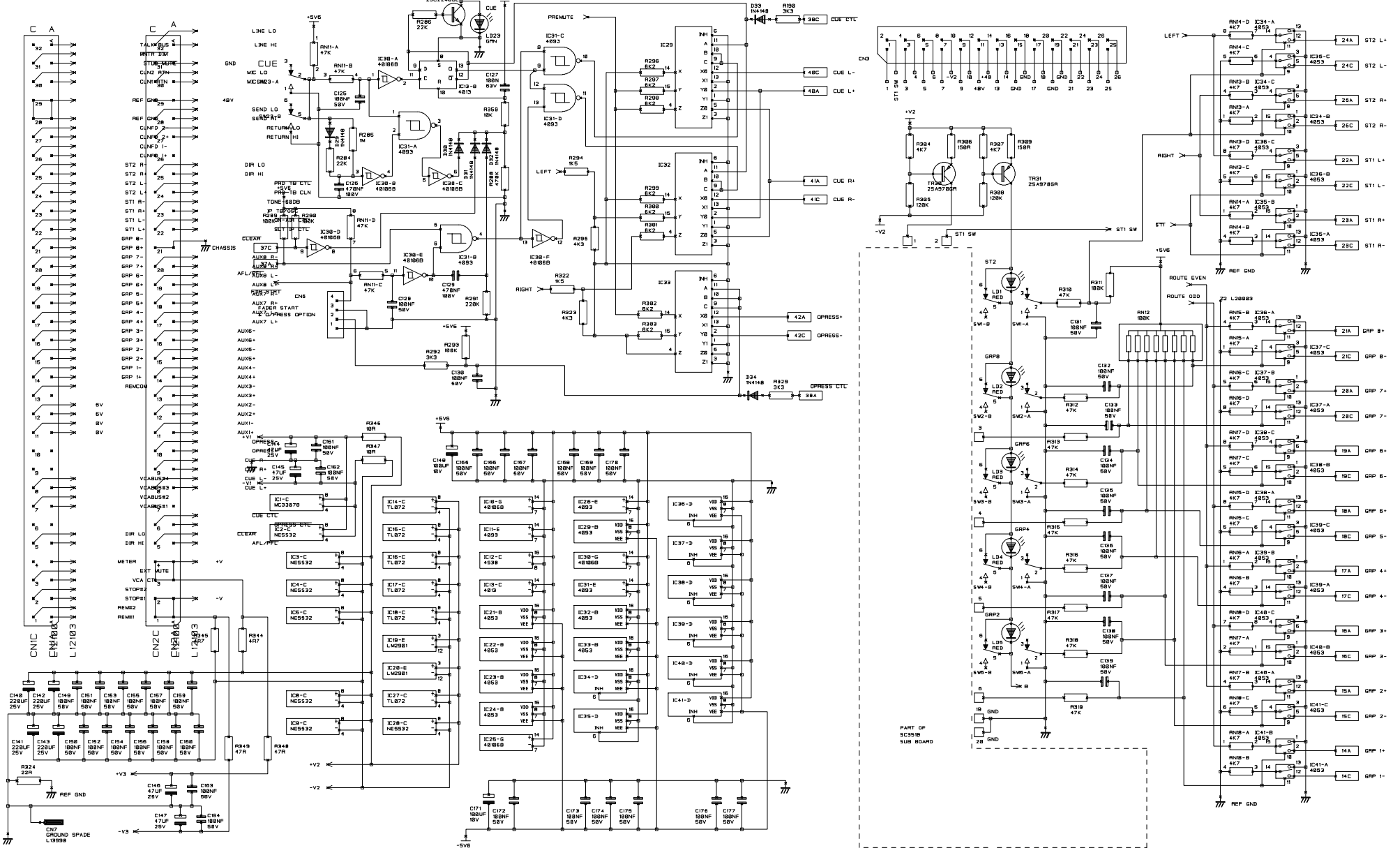
DRN. CB/VCR

TITLE B800  
 MONO INPUT MODULE

DRG NO. ED 3511B

INITIAL	ISSUE	DATE
RNJS	8:06	28/04/00

CUE (& PFL OVER PRESS OPTION)

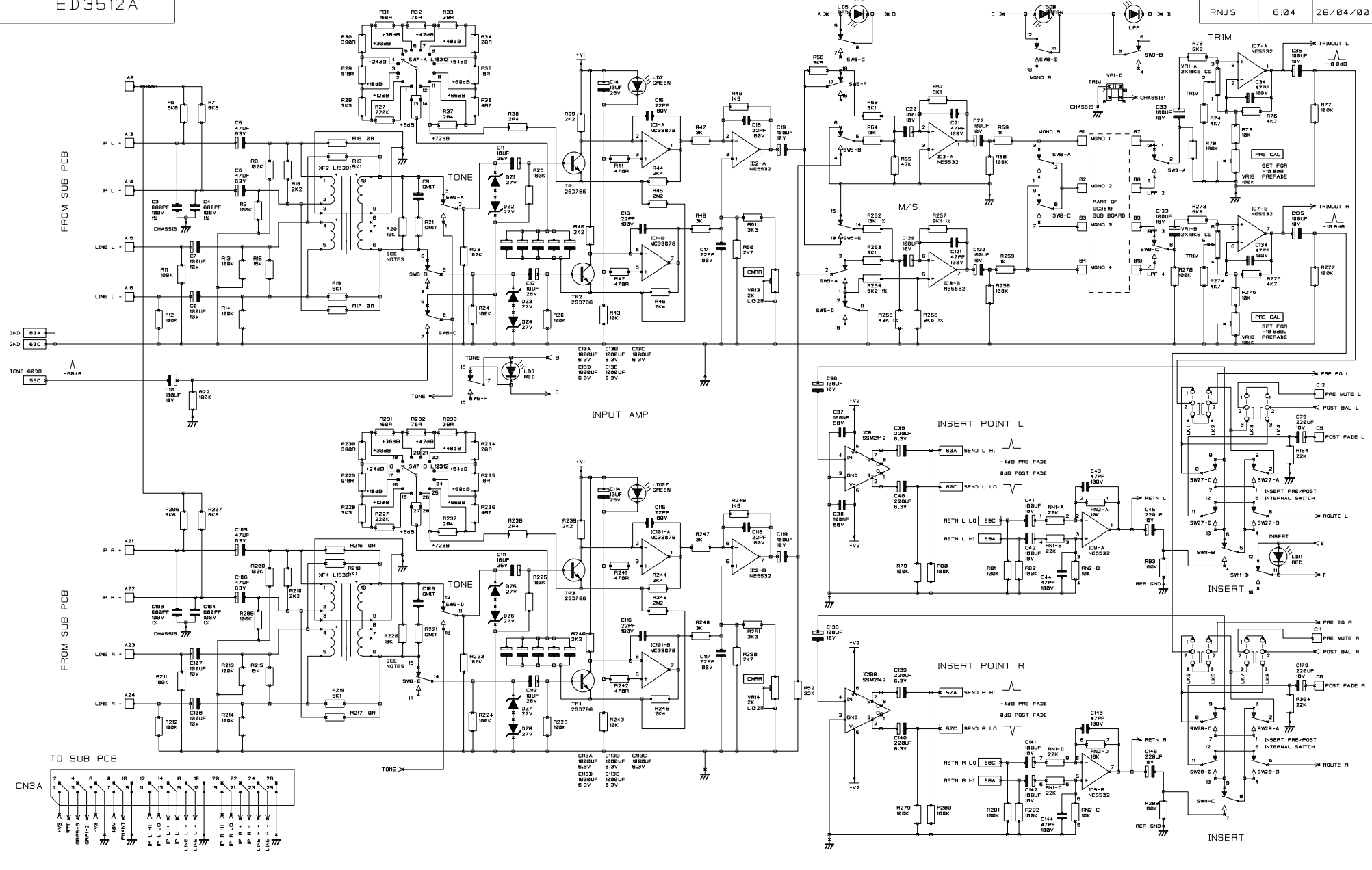


NOTES

DRN. CB/VC

TITLE B800  
MONO INPUT MODULE

DRG NO. ED 3511C



NOTES ELECTRONIC BALANCED INPUT (STD)  
 OMIT XF2, XF4, R21, R22, C9, C10  
 TRANSFORMER OPTION  
 FIT R21, R22 = 680R; C9, C10 = 2N2/100V  
 OMIT R11-19, R211-219  
 OMIT R8, 9, R208, 209  
 CHANGE R10, R210 (2K2) TO 5K1  
 REPLACE C5-8, C105-108 WITH LINKS

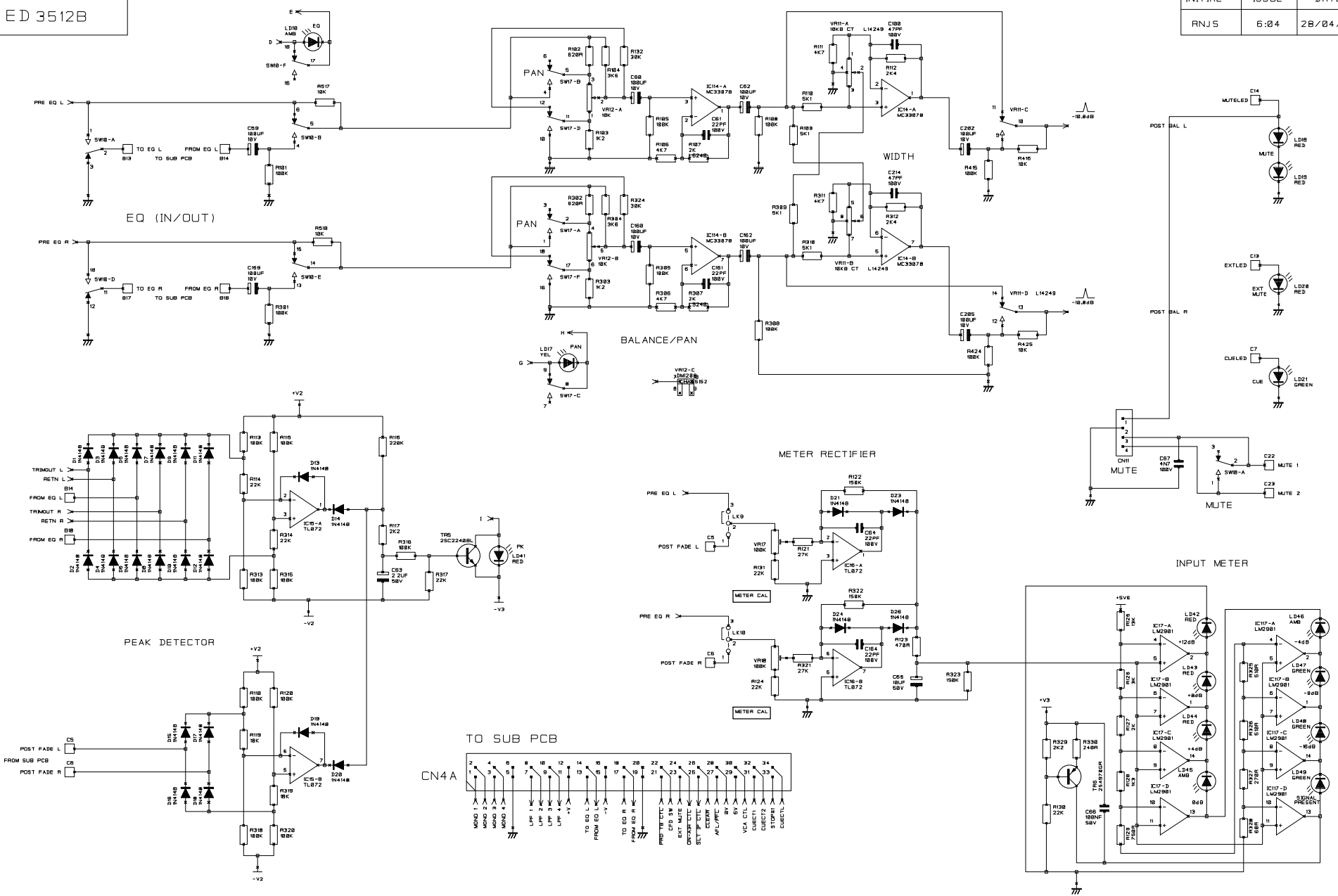
LINKS  
 LK1, 2, 3, 4, 5, 6, 7, 8 = INSERT PRE FADE  
 SET JUMP 1-2 = PRE EQ  
 JUMP 2-3 = POST EQ (DEFAULT)

DRN. CB/PH

TITLE B800  
 STEREO INPUT MODULE  
 MAIN PCB



INITIAL	ISSUE	DATE
RNJS	6:04	28/04/00



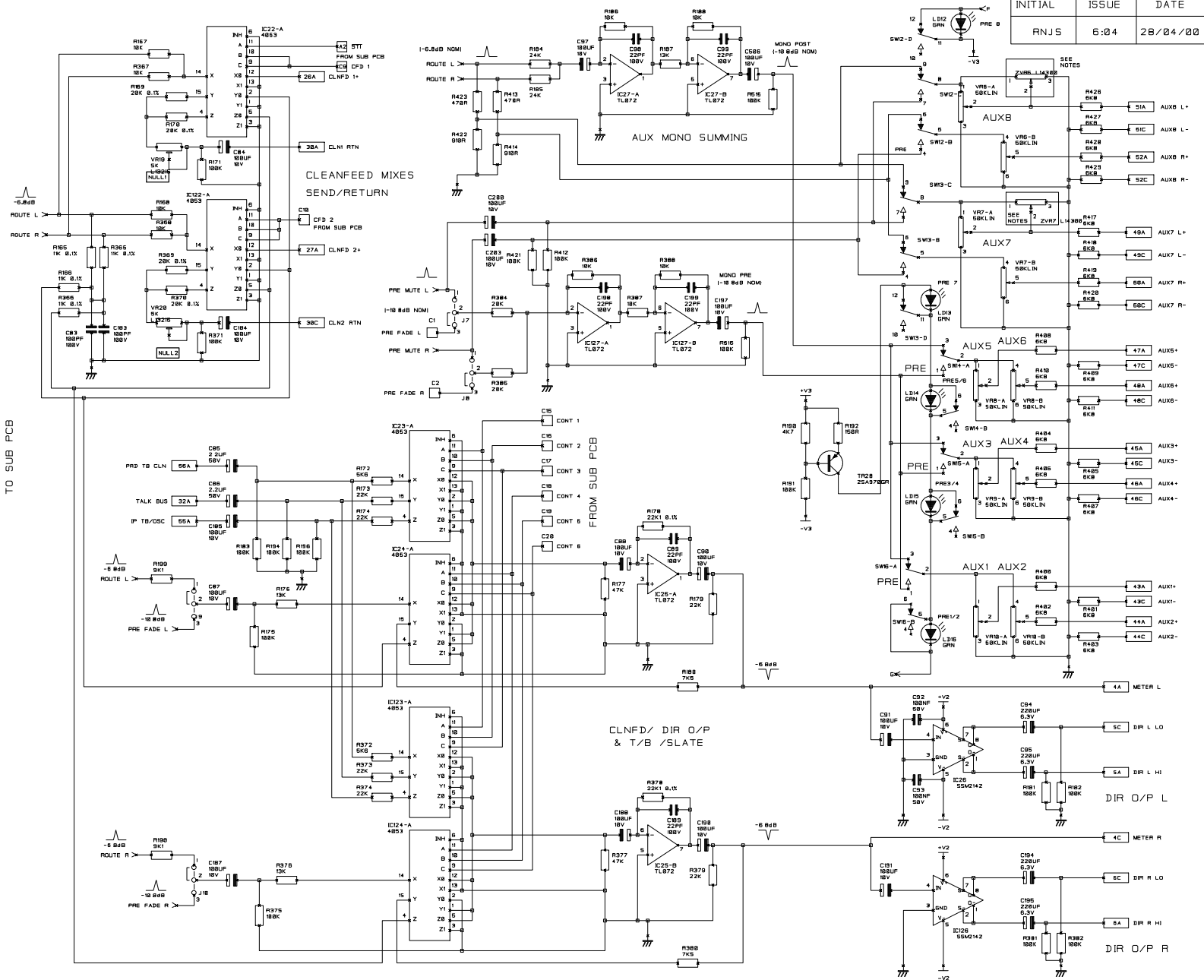
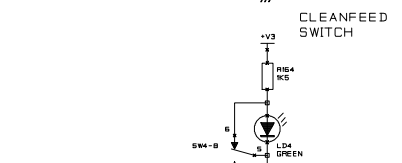
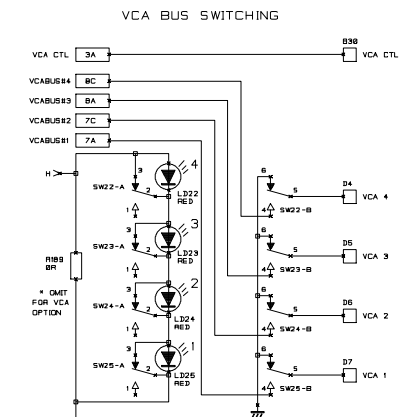
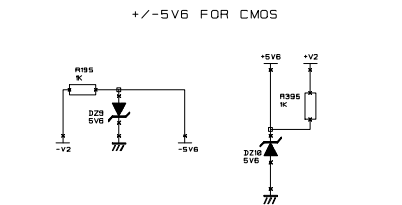
NOTES

DRN.

CB/PH

TITLE B800  
STEREO INPUT MODULE  
MAIN PCB

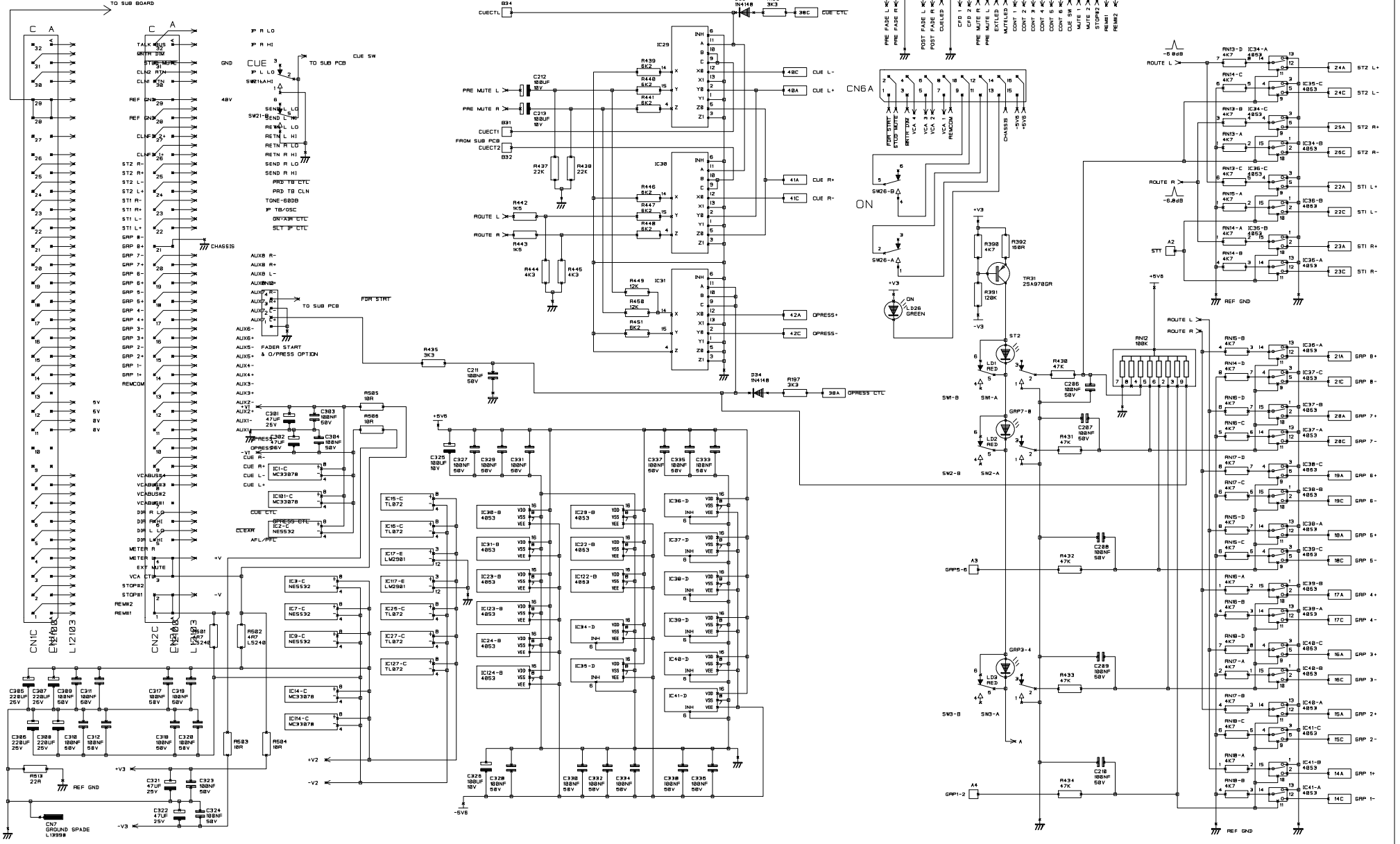
DRG NO. ED 3512B



NOTES  
 ZVR6 AND ZVR7 ARE EXTRA PADS ASSOCIATED WITH VR6-A AND VR7-A FOR THE FITMENT OF DUAL POTS IN PLACE OF DUAL CONC. POTS FOR THE STEREO AUX SENDS

DRN. CB/PH  
 TITLE B800  
 STEREO INPUT MODULE  
 MAIN PCB

CUE (& PFL OVER PRESS OPTION)



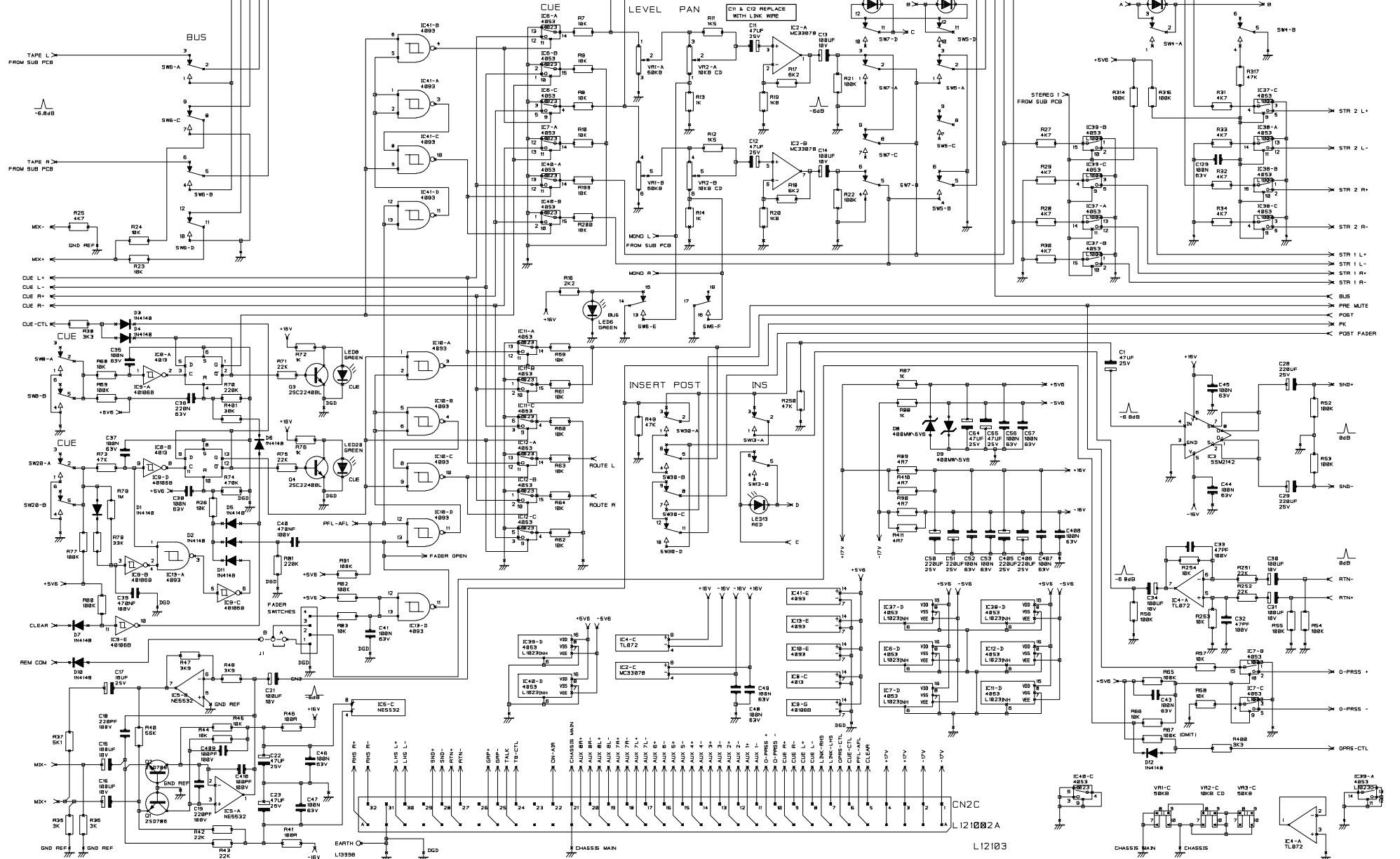
NOTES

1. 2. 3. 4. 5. 6. 7. 8. 9. 10. 11. 12. 13. 14. 15. 16. 17. 18. 19. 20. 21. 22. 23. 24. 25. 26. 27. 28. 29. 30. 31. 32. 33. 34. 35. 36. 37. 38. 39. 40. 41. 42. 43. 44. 45. 46. 47. 48. 49. 50. 51. 52. 53. 54. 55. 56. 57. 58. 59. 60. 61. 62. 63. 64. 65. 66. 67. 68. 69. 70. 71. 72. 73. 74. 75. 76. 77. 78. 79. 80. 81. 82. 83. 84. 85. 86. 87. 88. 89. 90. 91. 92. 93. 94. 95. 96. 97. 98. 99. 100.

DRN. CB/PH

TITLE B800  
STEREO INPUT MODULE  
MAIN PCB

DRG NO. ED 3512D



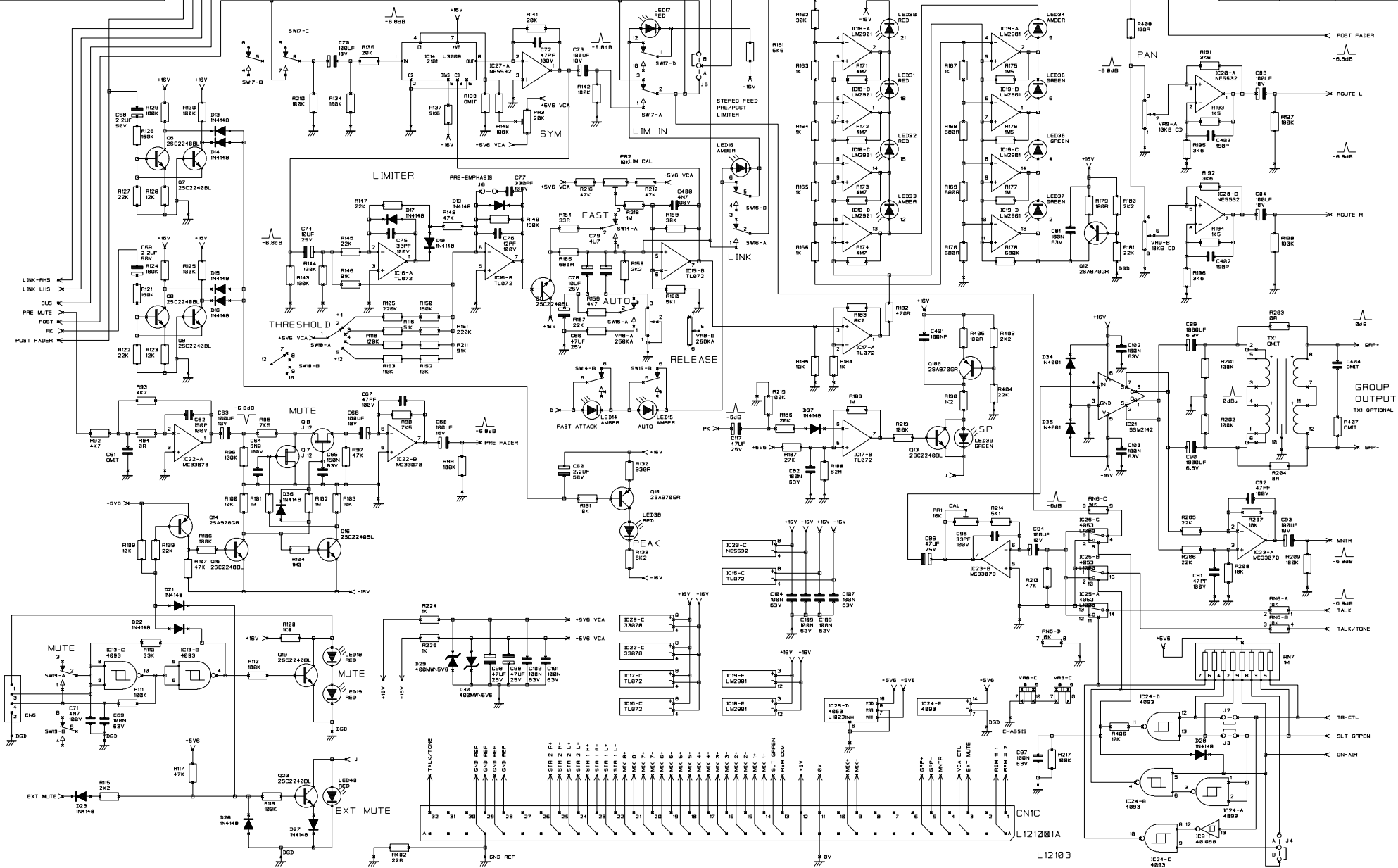
NOTES  
 PLACE J1 IN POSITION B FOR  
 FADER OPEN OPERATED FROM REM COMMON.

DRN. CJH/VCR

TITLE  
 B800 MONO GROUP  
 OUTPUT MAIN PCB

DRG NO  
 ED3513A

| INITIAL | ISSUE | DATE     |
|---------|-------|----------|
| RNJS    | 7:01  | 03/05/00 |



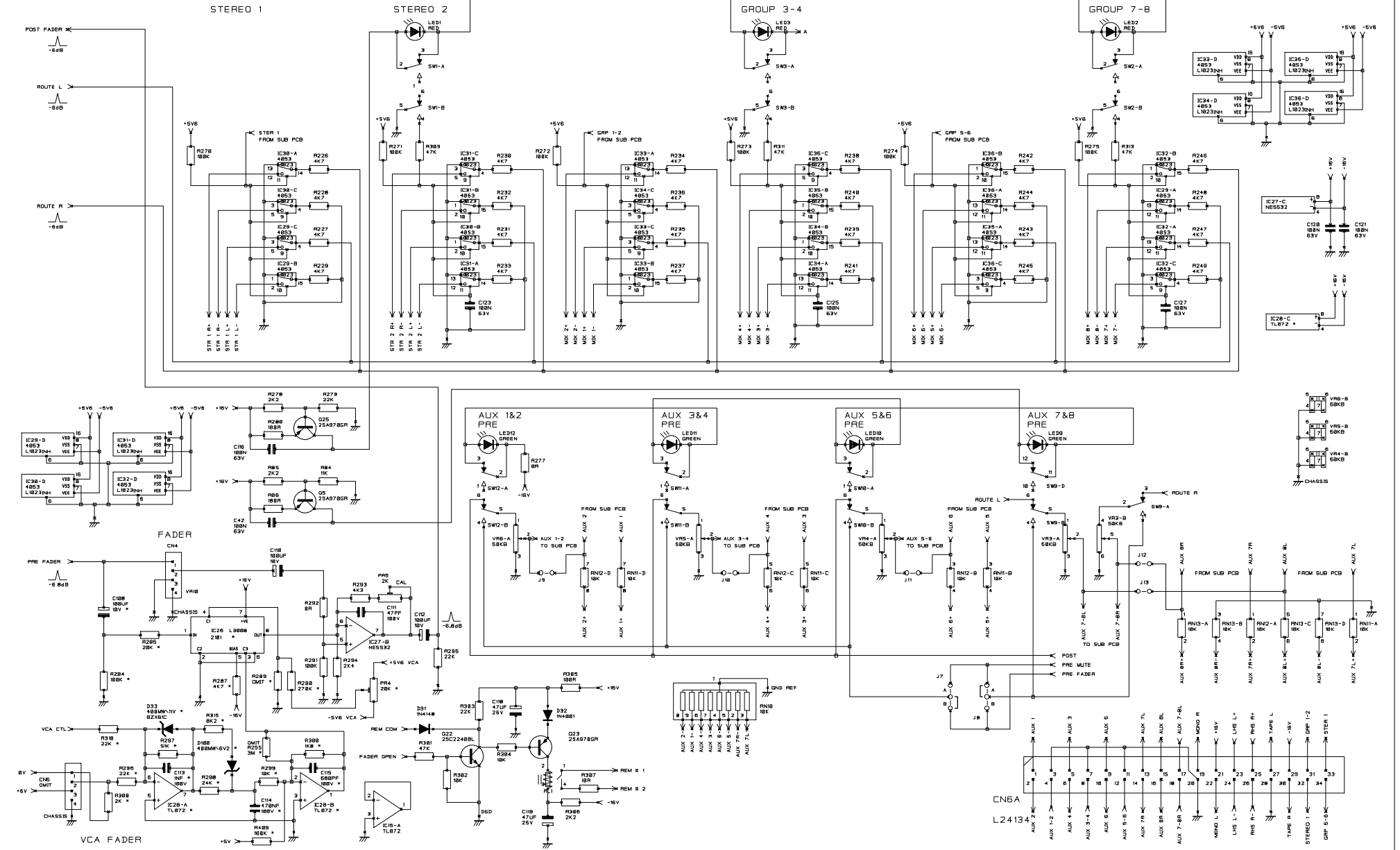
- NOTES
- J2 FIT FOR TALKBACK TO REPLACE PROG. REMOVE FOR TALKBACK TO MIX WITH PROG.
  - J3 FIT FOR SLATE TO REPLACE PROG. REMOVE FOR SLATE TO MIX WITH PROG.
  - J4 FIT IN POSN B FOR 'ON-AIR' KILLS TB ENABLE.
  - J5 FIT IN POSITION B TO BYPASS LIMITER.
  - J6 FIT FOR PRE-EMPHASIS.

THE FOLLOWING VALUES CHANGE WHEN THE NOMINAL INPUT LEVEL IS

- I5 +6dB +4dB 0dB
- R145 - 91K 68K 43K
- R148 - 47K 36K 22K
- R160 - 5K1 7K5 10K

DRN. CJH/VCR

TITLE  
B800 MONO GROUP OUTPUT MAIN PCB



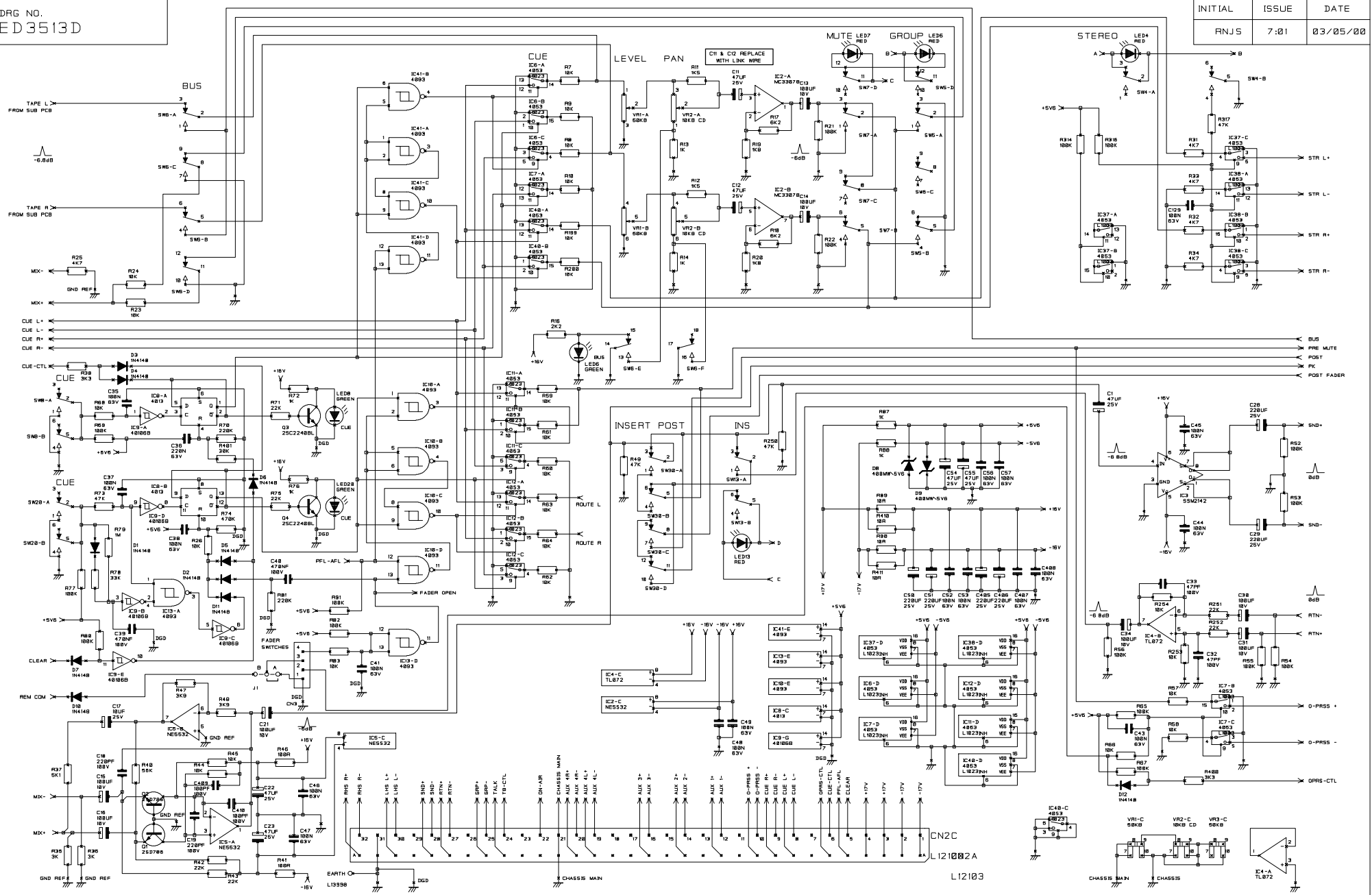
NOTES  
 J7,J8 POSITION A = PRE-MUTE  
 J7,J8 POSITION B = POST MUTE  
 J9 - J13 NOT FITTED  
 STANDARD VERSION  
 COMPONENTS MARKED \* OMITTED  
 TX1,R407,C404 OMITTED

VCA VERSION  
 J7,J8 NOT FITTED  
 CN4 NOT FITTED  
 R292 NOT FITTED  
 R294 NOT FITTED  
 R291 IS 0R  
 R293 IS 9K1  
 R315 OMITTED FOR 0dB FADER TOP  
 COMPONENTS MARKED \* FITTED

TRANSFORMER VERSION  
 R203,204 OMITTED  
 TX1 LL1539 FITTED  
 C404 4N7 FITTED  
 R407 2K2 FITTED  
 (SEE SHEET 2)

DRN. CJH/VCR

TITLE  
 B800 MONO GROUP  
 OUTPUT MAIN PCB  
 DRG NO  
 ED3513C

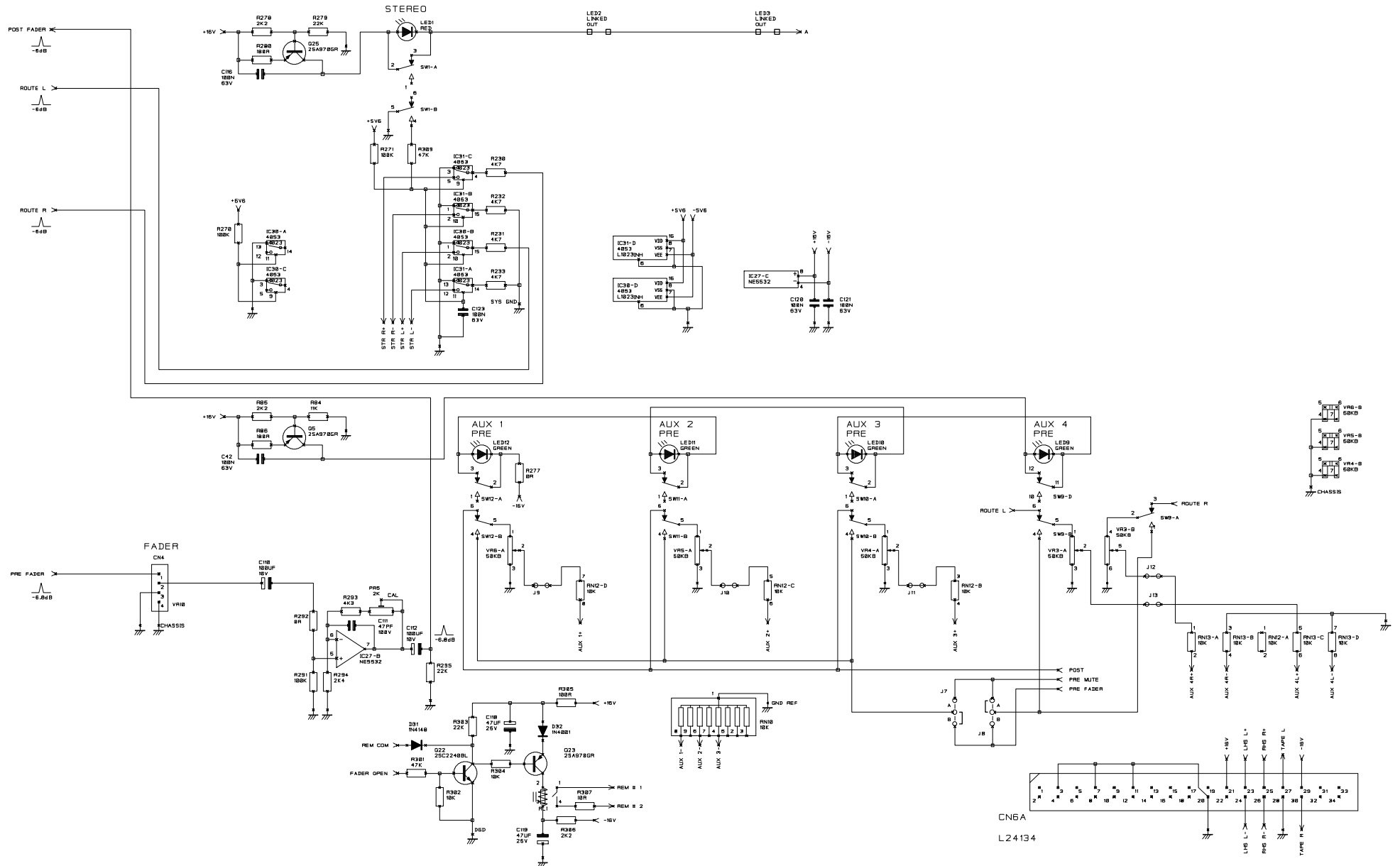


NOTES  
PLACE J1 IN POSITION B FOR  
FADER OPEN OPERATED FROM REM COMMON.

DRN. CJH/VCR

TITLE  
B400 MONO GROUP  
OUTPUT MAIN PCB

DRG NO.  
ED 3513D



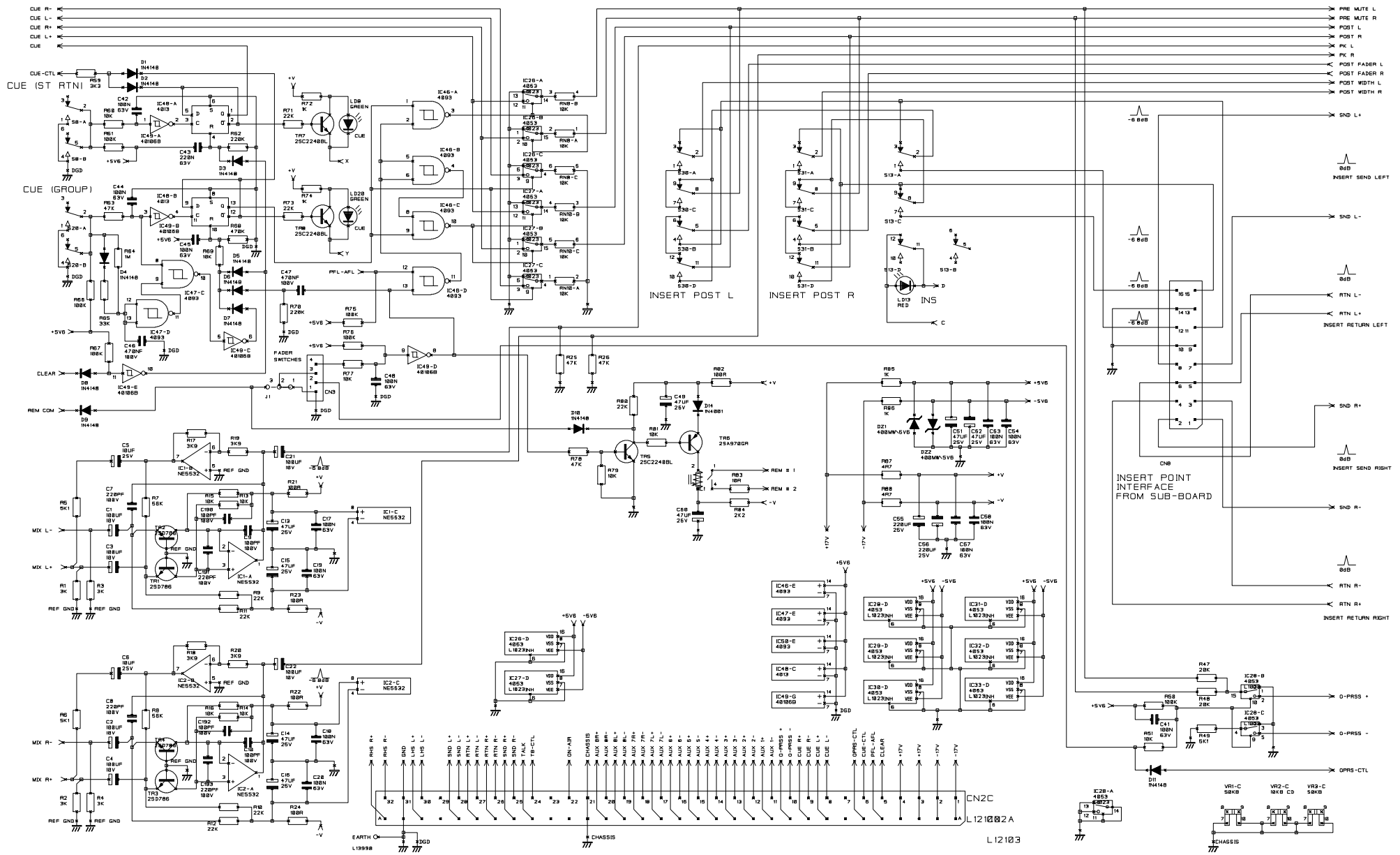
NOTES  
 J7, J8 POSITION A = PRE-MUTE  
 J7, J8 POSITION B = POST MUTE  
 J9 - J13 ALL LINKED ON B400

DRN. CJH/VCR

TITLE  
 B400 MONO GROUP  
 OUTPUT MAIN PCB

DRG NO.  
 ED3513F





NOTES

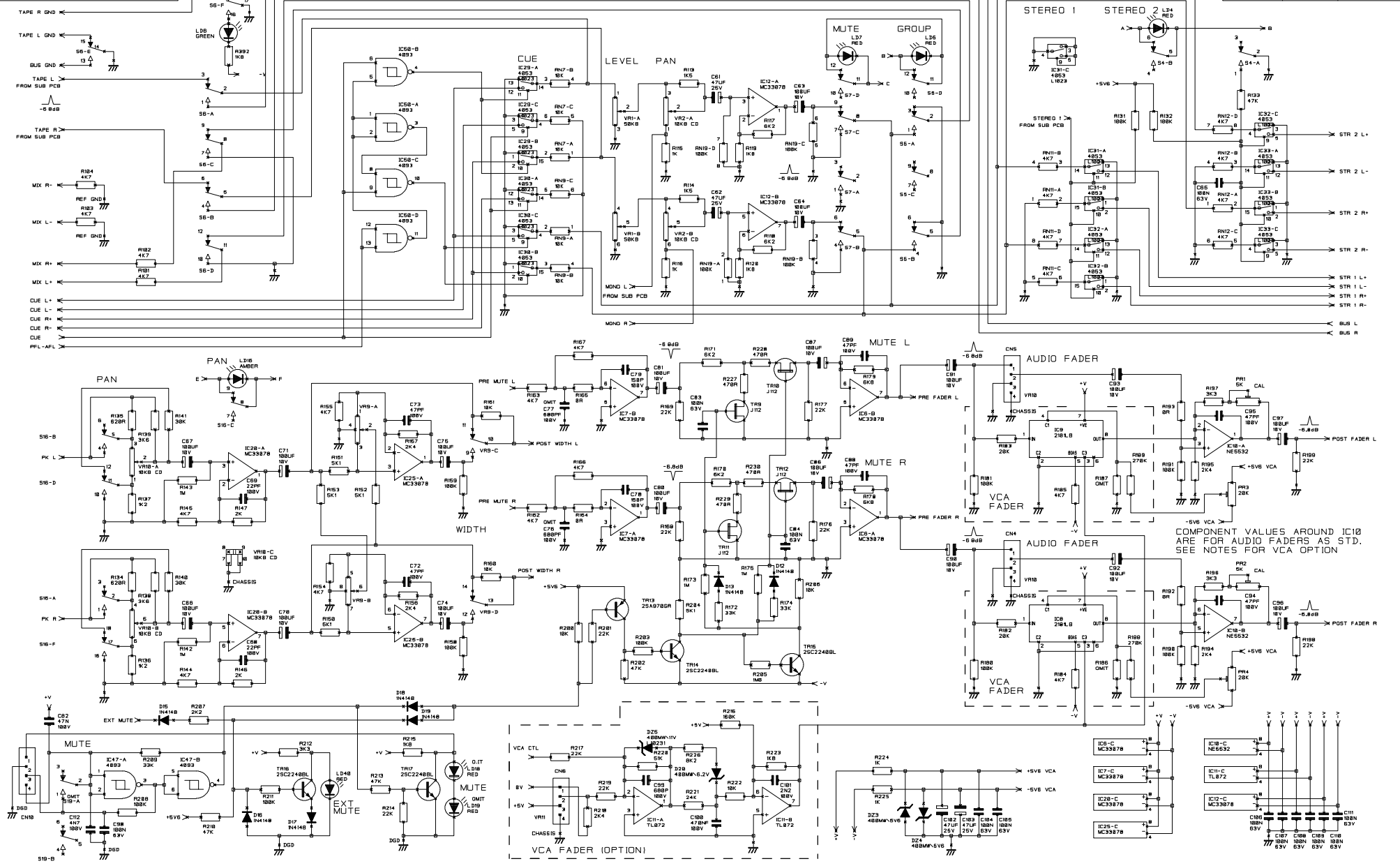
- COMPONENTS USED  
 R1 - R26, R47 - R52, R59 - R88  
 C1 - C22, C41 - C58  
 D1 - D11, D14  
 TR1 - TR8  
 D21 - D22  
 CN2 - CN9, CN8  
 RL1  
 J1

PLACE J1 ON PINS 2 & 3 FOR  
 FADER OPEN OPERATED FROM REM COMMON.

DRN. CJH

TITLE  
 B800 STEREO GROUP  
 OUTPUT MAIN PCB

DRG NO  
 ED3514A



**NOTES**

COMPONENTS USED  
 R101 - R104, R110 - R122  
 R105 - R107, R108 - R228  
 C51 - C112  
 TR10 - TR17  
 D12, D13, D16 - D20  
 D23 - D25  
 PRI - PR4  
 CM4 - CM7  
 R107, R109, R111, R112  
 C76, C77 & C82 ARE OMITTED

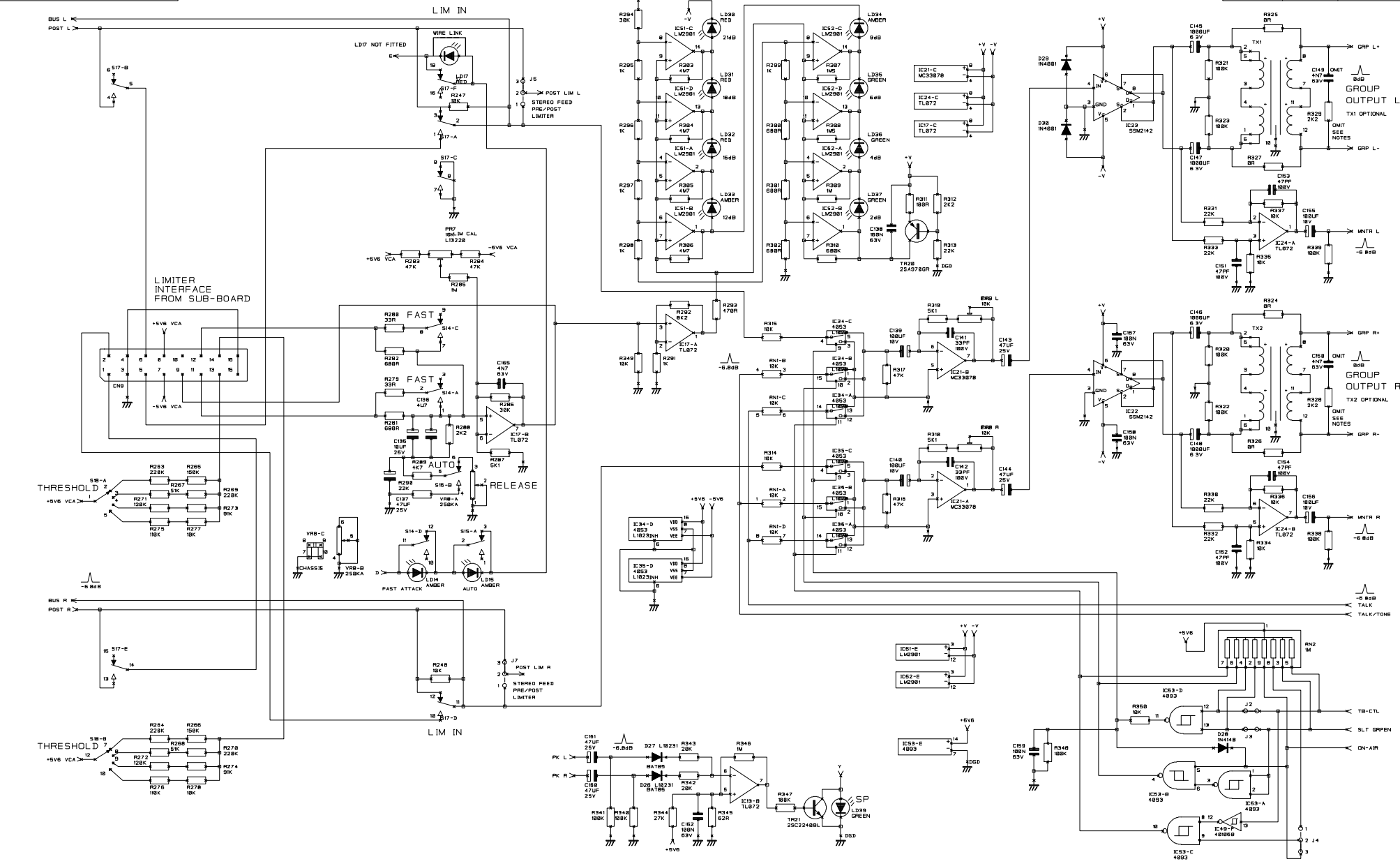
AUDIO FADER  
 OMIT THE FOLLOWING COMPONENTS  
 R108 - R109, R216 - R223, R226  
 IC9, IC10, IC11  
 C95 - C101  
 PRI0, PRI4  
 CM6  
 D25, 26  
 COMPONENT VALUES ARE AS MARKED

VCA FADER OPTION  
 OMIT THE FOLLOWING COMPONENTS  
 CS2, CS3, R102 - R105, CM4, CM5  
 THE VALUE OF THE FOLLOWING COMPONENTS CHANGE  
 R108, R101 ARE 0R.  
 R106, R107 ARE 10K  
 PRI1, PRI2 ARE 10K

DRN. CJH

TITLE  
 B800 STEREO GROUP  
 OUTPUT MAIN PCB

DRG NO. ED3514B



**NOTES**

COMPONENTS USED  
R247, R248, R263 - R358  
C135 - C163  
D26 - D38  
TR28 - TR31  
PR7 - PR9  
J2 - J4, J7, J8  
RN1 - RN2

TRANSFORMER OPTIONS  
WITH TRANSFORMERS  
FIT C149, C156 40P  
FIT R326, R328 2X2  
OMIT R324 TO R327  
WITHOUT TRANSFORMERS  
FIT R324 TO R327 OR  
OMIT C149, C156, R326, R328

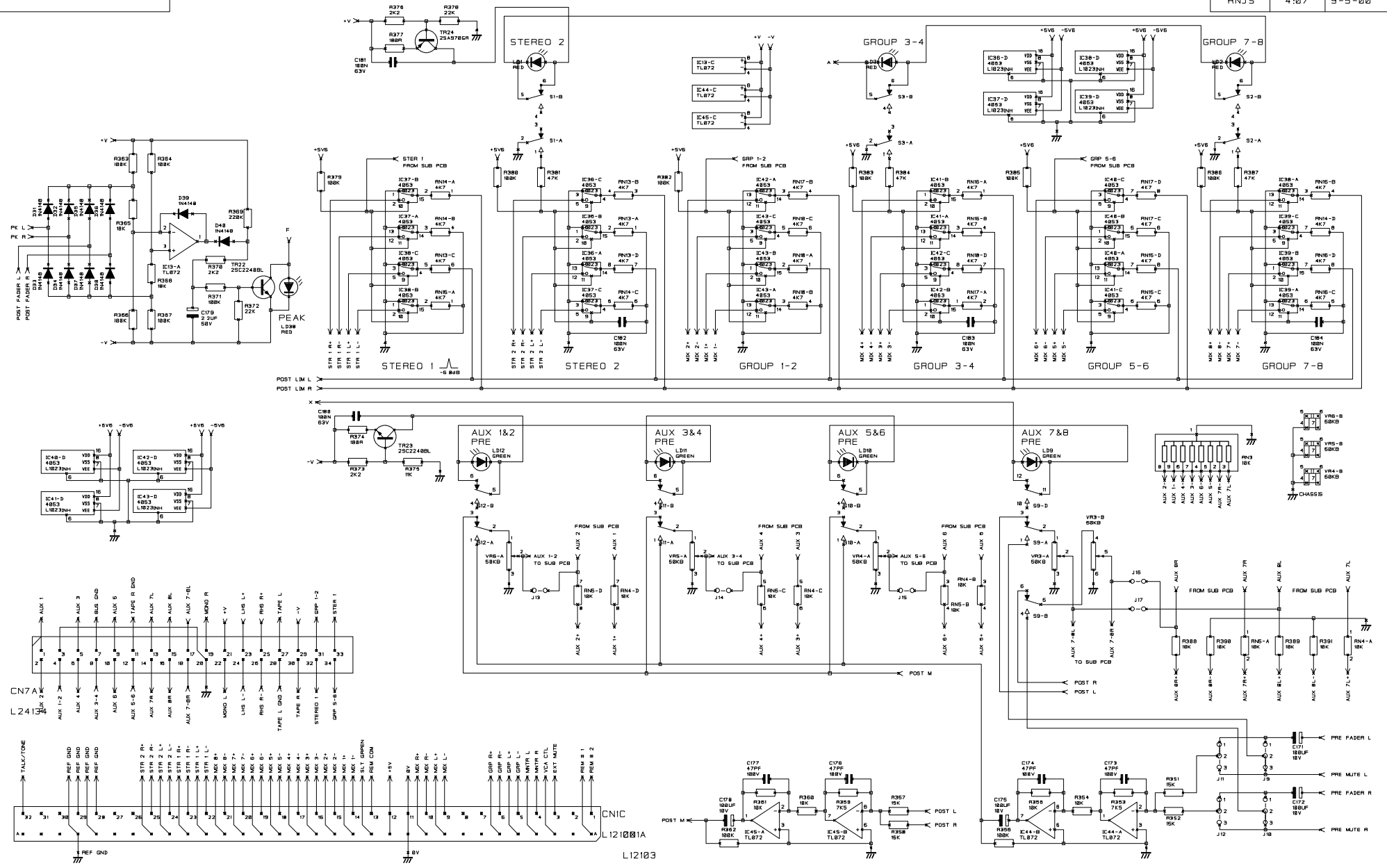
J2 FIT FOR TALKBACK TO REPLACE PRG.  
REMOVE FOR TALKBACK TO MX WITH PRG.  
J3 FIT FOR SLATE TO REPLACE PRG.  
REMOVE FOR SLATE TO MX WITH PRG.  
J4 FIT TO PINS 1 & 2 FOR 'ON-AIR' TO KILL TB ENABLE  
J5, J7 FIT TO PINS 1 & 2 TO BYPASS LIMITER.

THE FOLLOWING VALUES CHANGE  
WHEN THE NOMINAL INPUT LEVEL IS 16dB  
R255, R256 - 91K  
R259, R260 - 47K  
R287 - 5K1

DRN. CJH

TITLE  
B800 STEREO GROUP  
OUTPUT MAIN PCB

DRG NO  
ED3514C



**NOTES**

**COMPONENTS USED**

R351 - R391  
 C171 - C184  
 D31 - D48  
 TR22 - TR24  
 J19 - J17  
 RN3 - RN5, RN13 - RN18  
 CN1: CN7

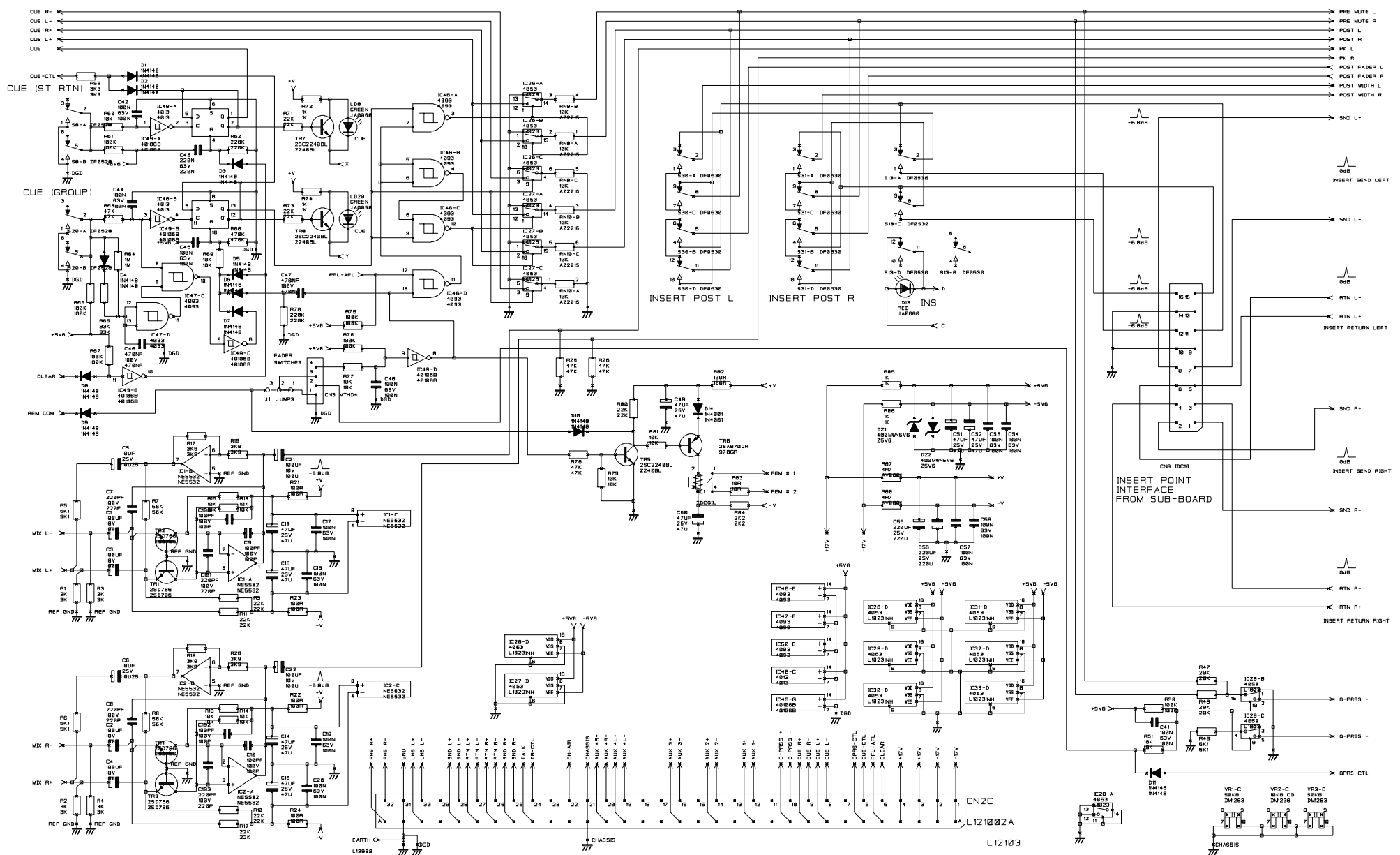
J9, J10 PINS 1 & 2 - PRE FADER, PINS 2 & 3 - PRE MUTE STEREO AUX 7/8  
 J11, J12 PINS 1 & 2 - PRE FADER, PINS 2 & 3 - PRE MUTE MOND SUM FOR AUX 1 TO 6  
 J19 - J17 NOT USED ON B888

DRN. CJH

TITLE  
**B800 STEREO GROUP  
 OUTPUT MAIN PCB**

DRG NO. ED3514D

| INITIAL | ISSUE | DATE   |
|---------|-------|--------|
| RNJS    | 4:07  | 9-5-00 |



**NOTES**

COMPONENTS USED  
 R1 - R26, R47 - R52, R59 - R88  
 C1 - C23, C41 - C58  
 D1 - D11, D14  
 TR1 - TR8  
 J21 - J22  
 CN2 - CN3, CN8  
 J1

PLACE J1 ON PINS 2 & 3 FOR  
 FADER OPEN OPERATED FROM REM COMMON.

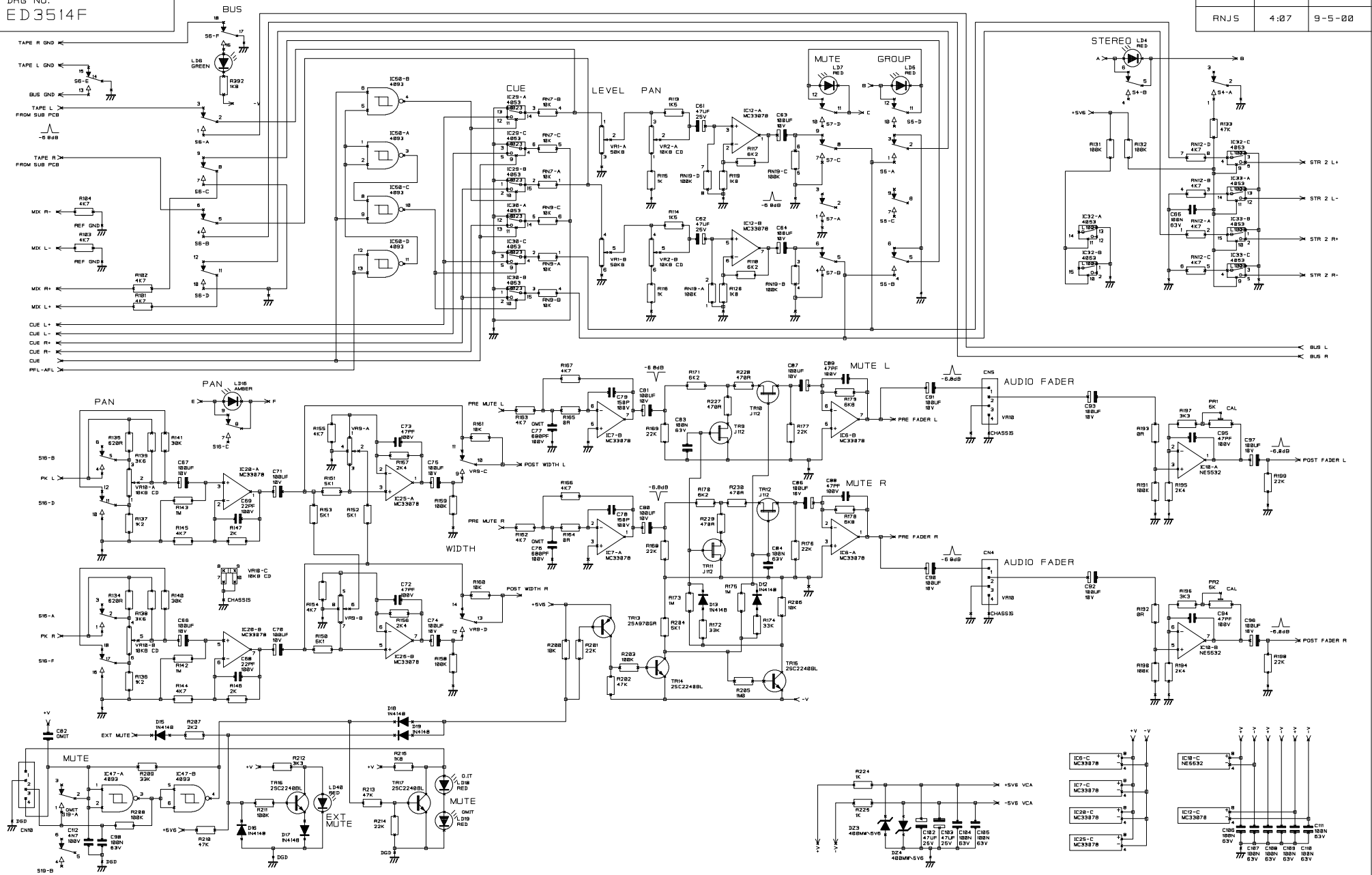
DRN. CJH

**TITLE**  
 B400 STEREO GROUP  
 OUTPUT MAIN PCB

DRG NO.  
 ED 3514E

DRG NO.  
ED 3514F

| INITIAL | ISSUE | DATE   |
|---------|-------|--------|
| RNJS    | 4:07  | 9-5-00 |

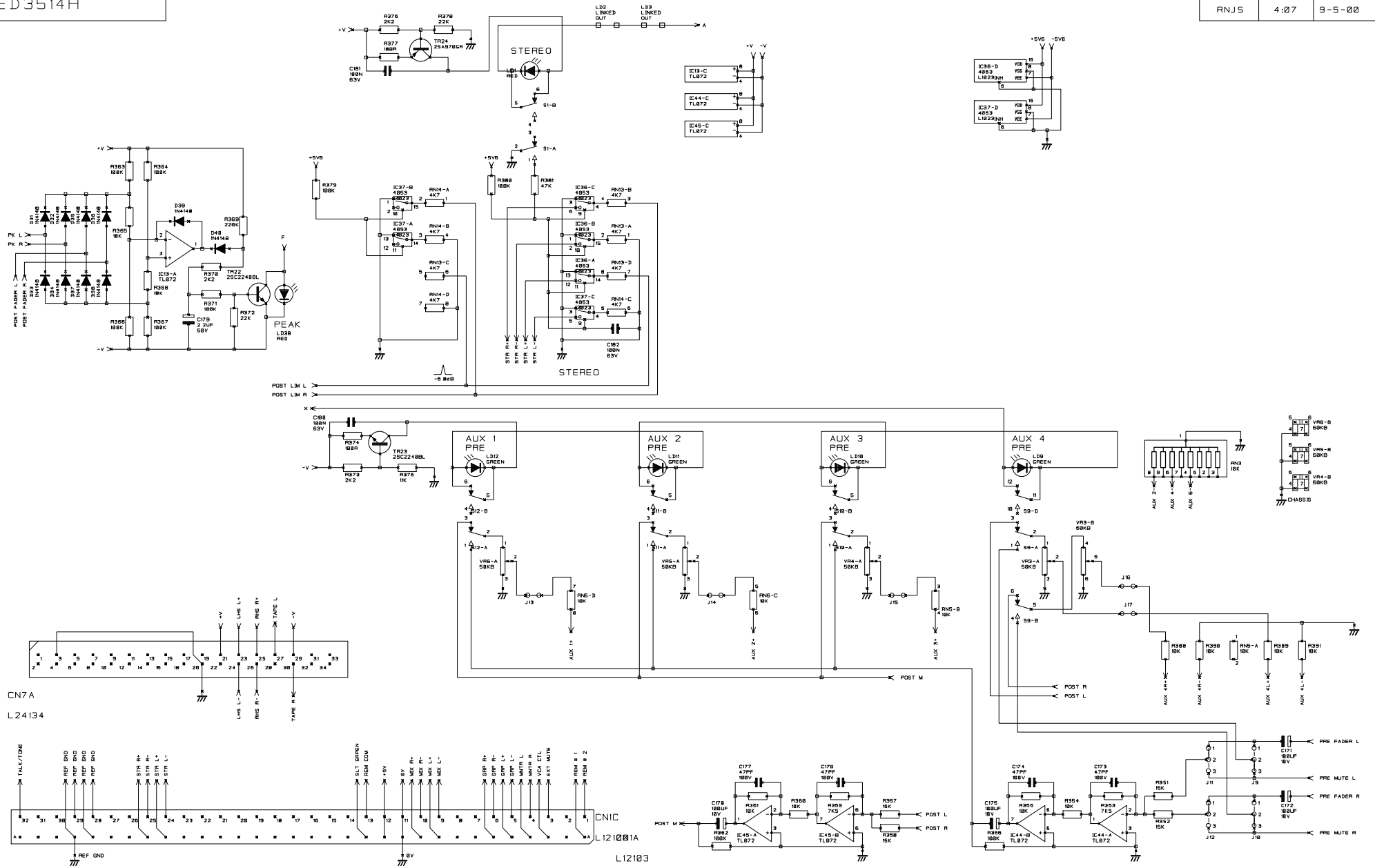


NOTES  
COMPONENTS USED  
R101 - R104, R113 - R122  
R131 - R147, R158 - R228  
C61 - C112  
TR8 - TR9  
D12, D13, D16 - D20  
D29 - D25  
PR1 - PR4  
CN4 - CN7  
R17, R19, R11, R12 C76 & C77 ARE OMITTED

DRN. CJH

TITLE  
B400 STEREO GROUP  
OUTPUT MAIN PCB  
DRG NO.  
ED 3514F

| INITIAL | ISSUE | DATE   |
|---------|-------|--------|
| RNJS    | 4:07  | 9-5-00 |



NOTES

COMPONENTS USED  
R351 - R391  
C171 - C178  
D31 - D49  
TR22 - TR24  
J9 - J17  
RN3 - RN5, RN13 - RN18  
CN1, CN7

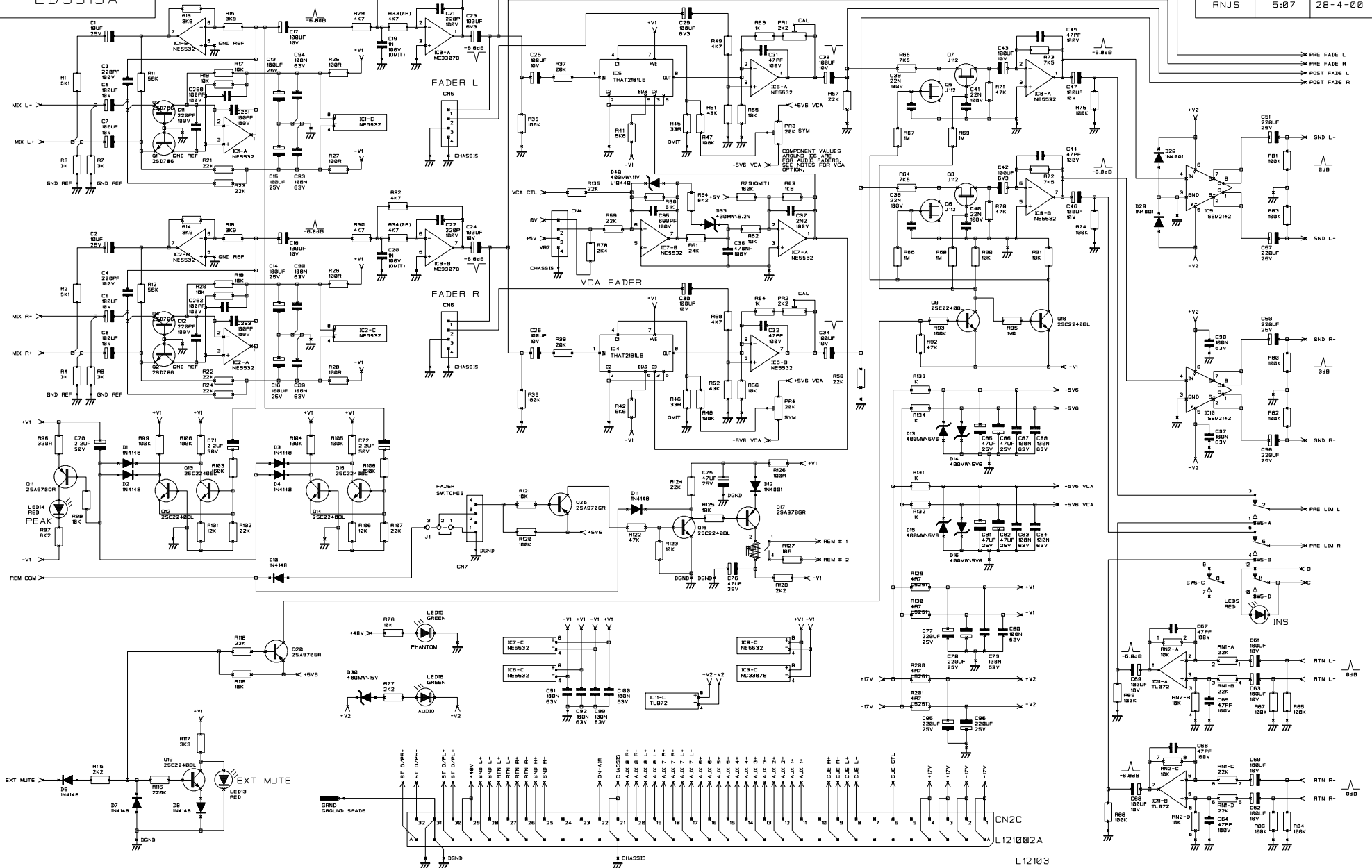
J9, J10 PINS 1 & 2 - PRE FADER, PINS 2 & 3 - PRE MUTE STEREO AUX 7/8  
J11, J12 PINS 1 & 2 - PRE FADER, PINS 2 & 3 - PRE MUTE MONO SUM FOR AUX 1 TO 6.  
J19 - J17 ARE LINKED ON 6400

DRN. CJH

TITLE  
B400 STEREO GROUP  
OUTPUT MAIN PCB

DRG NO.  
ED3514H

|         |       |         |
|---------|-------|---------|
| INITIAL | ISSUE | DATE    |
| RNJS    | 5:07  | 28-4-80 |



NOTES

COMPONENTS USED  
 R1 - R8, R11 - R38, R41 - R42  
 R45 - R48, R49 - R52, R58, R59, R61  
 C1 - C28, C29 - C47, C58  
 C61, C62, C67, C68 - C79  
 C76 - C80  
 IC1 - IC11  
 D1 - D6, D7, D8, D9 - D18  
 D28 - D30, D38  
 CN2, CN4 - CN7  
 LED3, LED9, LED19, LED18

PLACE J1 ON PINS 2 & 3 FOR FADER OPEN OPERATED FROM REM COM

Q1 - Q7, Q9, Q28, Q29  
 Q31 - Q34  
 S1, S2  
 J1

AUDIO FADER AS STANDARD OMIT THE FOLLOWING COMPONENTS:  
 R35 TO R38, R41, R42, R45, R48, R49, R51, R52, C28, C64, C65, C67, C69, C48  
 R59 TO R62, C26 TO C37  
 R78, R79, R84, R35, C14  
 COMPONENT VALUES ARE AS MARKED.

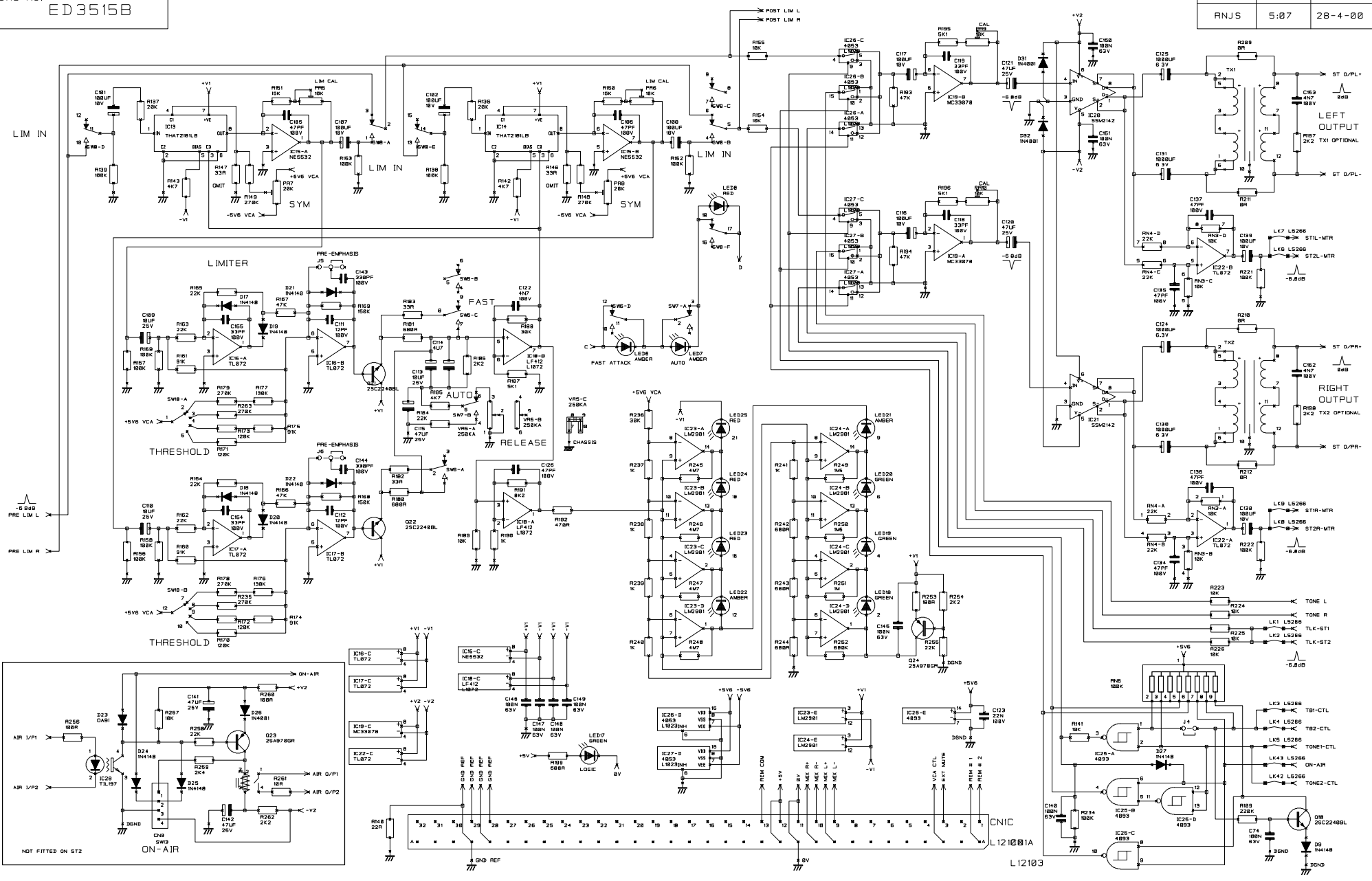
VCA FADER OPTION OMIT THE FOLLOWING COMPONENTS:  
 C28, C38, R49, R50, R52, R58, C14, C18  
 THE VALUE OF THE FOLLOWING COMPONENTS CHANGE  
 R51, R52 ARE 8K  
 R53, R54 ARE 18K  
 PH1, PH2 ARE 18K  
 IN ADDITION R78 (18K) PROVIDES +18dB AT FADER TOP

DRN. CJH

TITLE  
 SOUNDRAFT 8800  
 STEREO MASTER

DRG NO  
 ED3515A





**NOTES**

COMPONENTS USED.

|                         |                     |
|-------------------------|---------------------|
| R156 - R159, R160, R161 | IC13 - IC28         |
| R162 - R172, R173, R174 | SWS - SWS, SWS, SWS |
| R234 - R263             | J4 - J6             |
| C181 - C126, C74        | V16                 |
| C19, C19, C19, C19      | CNL, C19            |
| D17 - D27, D19, D32, D9 | Q21 - Q24, D16      |
| Q21 - Q24, D16          | T11 - T12           |
| LED5 - LED8             | LK1 - LK9           |
| LED17 - LED26           | RL2                 |

J4 FIT FOR TALKBACK TO REPLACE PROG REMOVE FOR TALKBACK TO MIX WITH PROG.

J5, J6 FIT FOR PRE-EMPHASIS

LK1, LK2, LK3, LK4, LK8 FITTED ON STEREO MASTER 1

LK2, LK4, LK6, LK8, LK42 FITTED ON STEREO MASTER 2

FOR '56B' OPERATION LIMITER THRESHOLD CHANGES

R160: R161 (10K) FIT 43K

R165: R167 (47K) FIT 22K

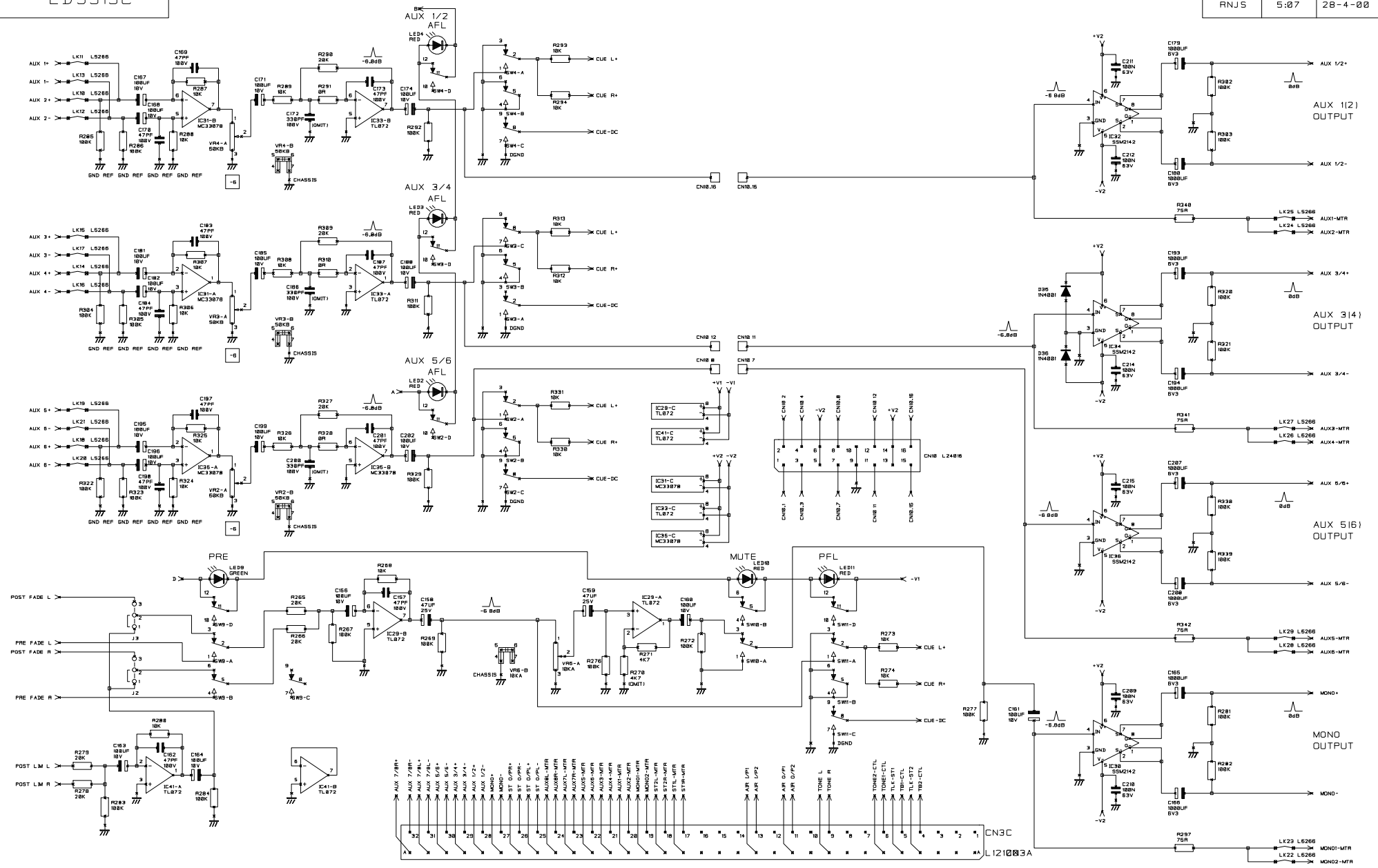
R167: 15K11 FIT 10K

DRN. CJH

TITLE  
SOUNDCRAFT 8800  
STEREO MASTER

DRG NO. ED3515B

Sheet 2 of 8



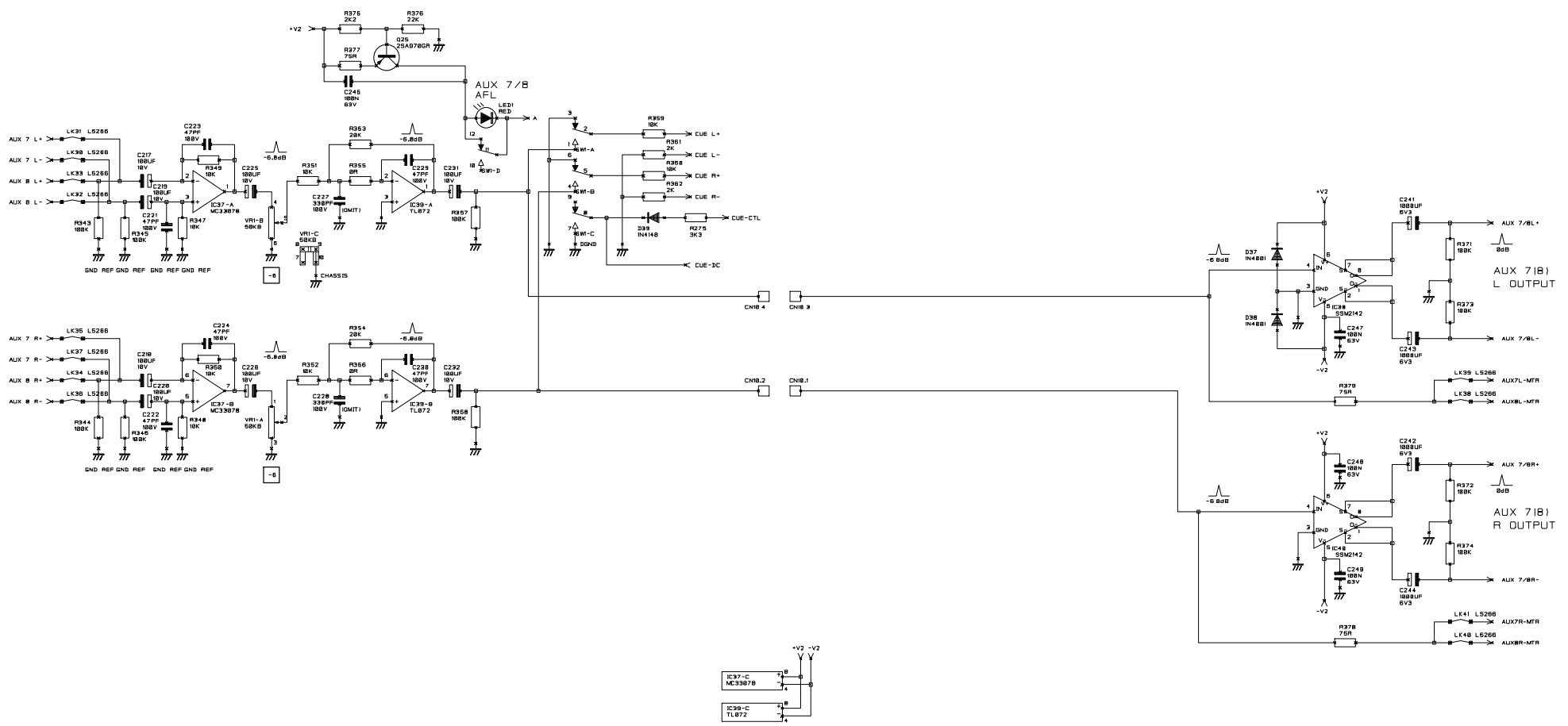
**NOTES**  
 COMPONENTS USED:  
 R205 - R274, R278 - R284, R287, R382 - R319  
 R326 - R338, R338 - R342  
 C166 - C168, C162 - C174, C179 - C188  
 C193 - C202  
 C207 - C216  
 D33 - D36  
 IC29 - IC36, IC41  
 LED3 - LED4  
 LED9 - LED11  
 SW9 - SW11

TRANSFORMERS FOR AUX AND MONO OUTPUTS ARE OPTIONALLY FITTED TO MOTHERBOARD  
 LK11, LK15, LK16, LK17, LK18, LK21, LK23, LK26, LK27, LK29 FITTED ON STEREO MASTER 1  
 LK16A, LK17A, LK18A, LK19A, LK20A, LK21A, LK22A, LK23A, LK24A, LK25A, LK26A, LK27A, LK28A, LK29A FITTED ON STEREO MASTER 2  
 C172, C166, C208, R278 ARE OMITTED.  
 J2, J3 ON PINS 1 & 2 FOR POST FADER, PRE LATER TO MONO OUTPUT POST SELECTION  
 J2, J3 ON PINS 2 & 3 FOR POST FADER, PRE LATER TO MONO OUTPUT POST SELECTION.

DRN. CJH

TITLE  
 SOUNDRAFT B800  
 STEREO MASTER

DRG NO. ED3515C



NOTES

- COMPONENTS USED:  
 R343 - R362, R371 - R379  
 C217 - C226, C241 - C249  
 D37 - D39  
 Q25  
 IC37 - IC40  
 LED1  
 S81  
 LK38 - LK41  
 VR1

TRANSFORMERS FOR AUX OUTPUTS ARE OPTIONALLY FITTED ON MOTHERBOARD  
 LK31, LK33, LK36, LK37, LK39, LK41 FITTED ON STEREO MASTER 1  
 LK38, LK32, LK34, LK35, LK38, LK40 FITTED ON STEREO MASTER 2

R353, R354 ARE 20K  
 C229, C398 ARE 47P  
 R355, R356 ARE 0R  
 C227, C228 ARE OMITTED

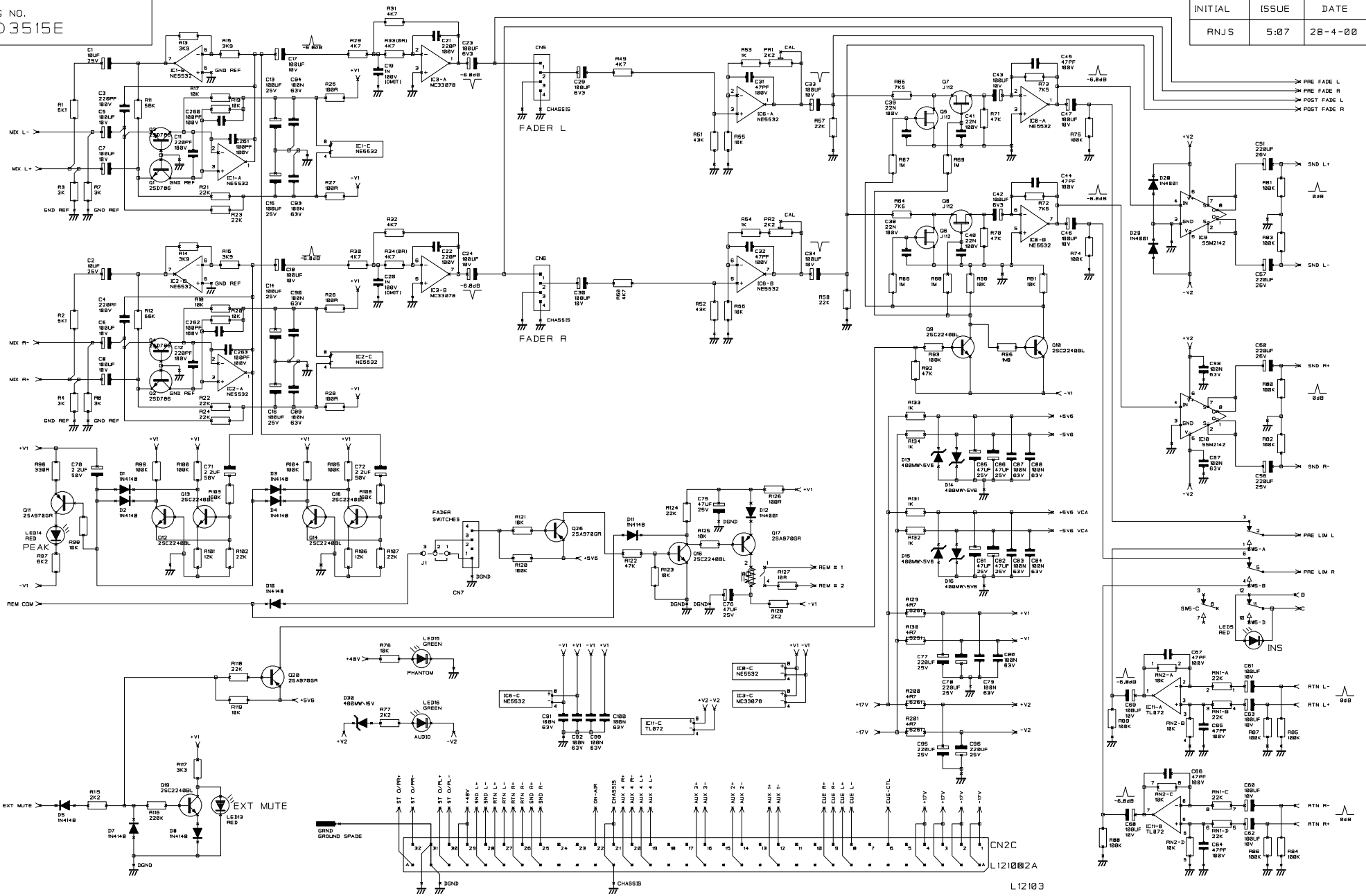
DRN. CJH

TITLE  
 SOUND CRAFT 8800  
 STEREO MASTER

DRG NO  
 ED3515D

DRG NO.  
ED 3515E

| INITIAL | ISSUE | DATE    |
|---------|-------|---------|
| RNJS    | 5:07  | 28-4-00 |



NOTES  
 COMPONENTS USED PLACE J1 ON PINS 2 & 3  
 FOR FADER OPEN  
 OPERATED FROM REM COM

R1 - R81, R83, R84 - R82  
 R85 - R88, R15 - R155, R208, R281  
 C1 - C28, C29 - C47, C58  
 C59, C59A, C59B, C79  
 C75 - C108  
 IC1 - IC1  
 D1 - D6, D7, D8, D10 - D18  
 D20 - D30, D40  
 CN2, CN4 - CN7  
 LED5, LED19, LED15, LED16

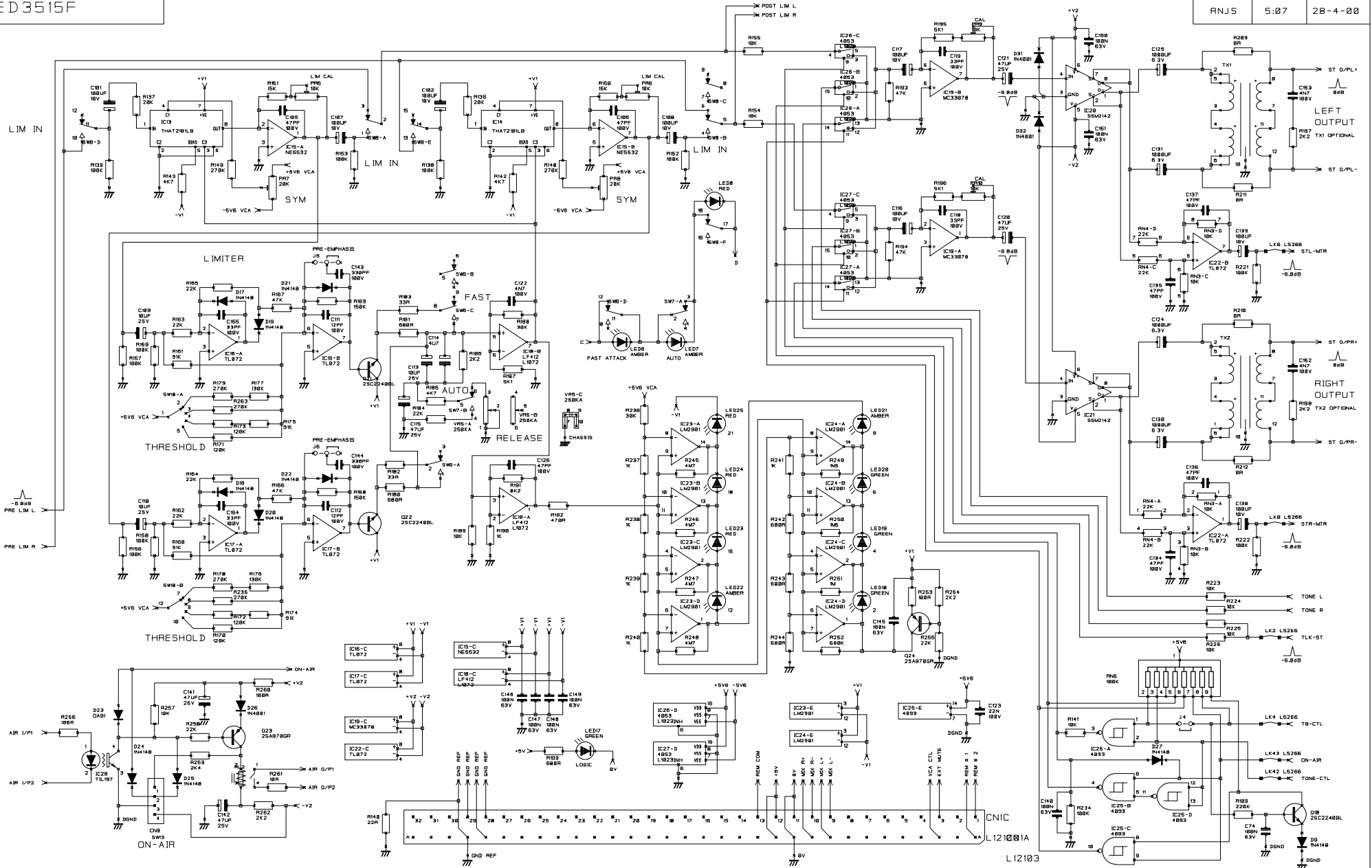
Q1 - Q7, Q9, Q20, Q26  
 P11 - P14  
 RN1 - RN2  
 S16  
 PL1  
 J1

DRN. CJH

TITLE  
 SOUNDRAFT B400  
 STEREO MASTER

DRG NO.  
 ED 3515E

|         |       |         |
|---------|-------|---------|
| INITIAL | ISSUE | DATE    |
| RNJS    | 5:07  | 28-4-00 |



NOTES

- COMPONENTS USED:  
 R105 - R108, R109, R120  
 R209 - R212, R221 - R226  
 R16 - R18  
 C101 - C106, C74  
 C108, C10, C134 - C18  
 D17 - D27, D9, D19, D2, D8  
 Q21 - Q24, D18  
 LK1 - LK9  
 LED17 - LED26  
 R10 - R15  
 IC18 - IC28  
 SW10 - SW18, SW19, SW18  
 J4 - J8  
 C108, C10, C134 - C18  
 D17 - D27, D9, D19, D2, D8  
 Q21 - Q24, D18  
 LK1 - LK9  
 LED17 - LED26  
 R12

- J4 FIT FOR TALKBACK TO REPLACE PROG  
 REMOVE FOR TALKBACK TO MDX WITH PROG.  
 J5, J6 FIT FOR PRE-EMPHASIS

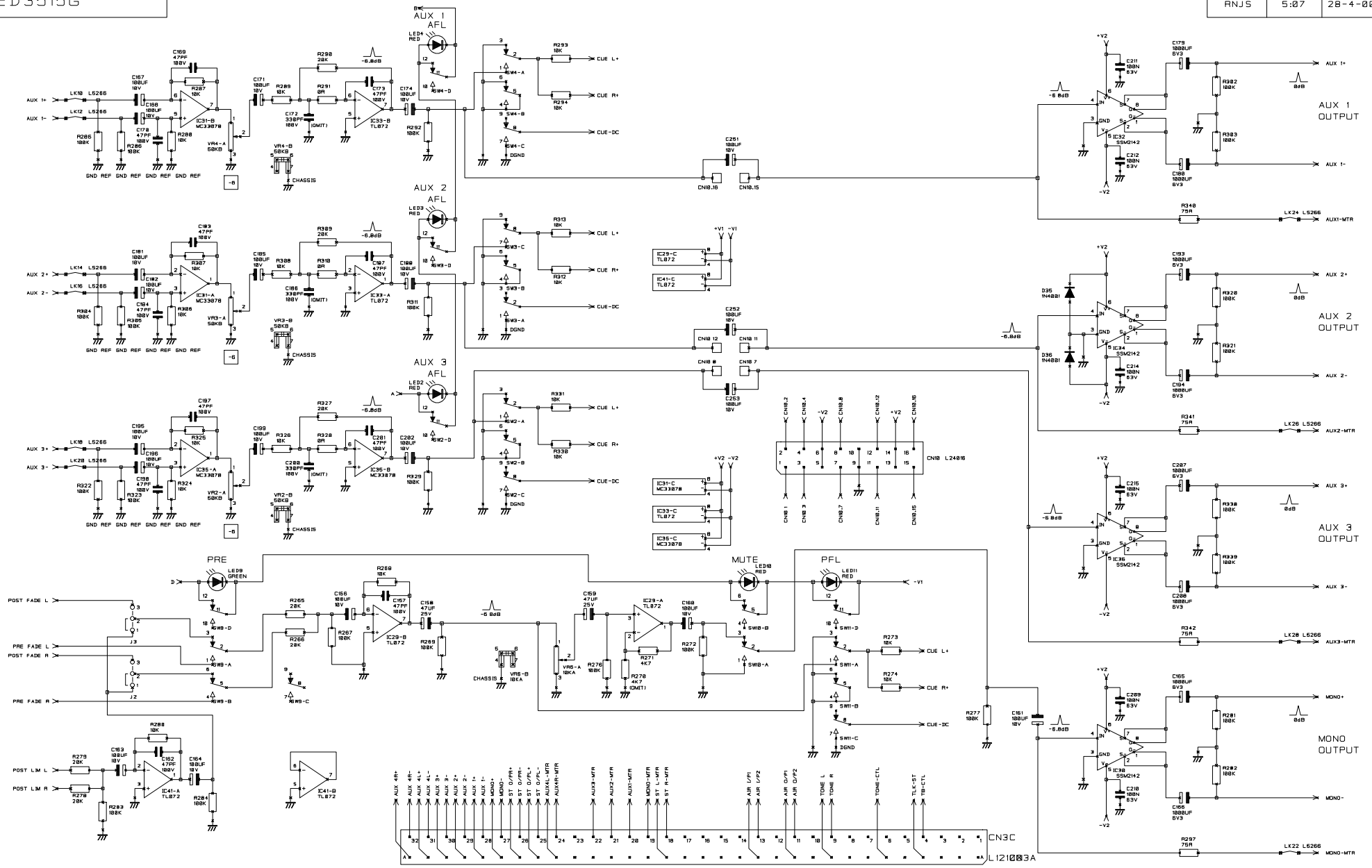
- FOR '100' OPERATION LIMITER THRESHOLD CHANGES  
 R105, R101 10K FIT 43K  
 R106, R167 (47K) FIT 22K  
 R107 15K FIT 10K

DRN. CJH

TITLE  
 SOUNDCRAFT 8800  
 STEREO MASTER

DRG NO.  
 ED 3515F

| INITIAL | ISSUE | DATE    |
|---------|-------|---------|
| RNJS    | 5:07  | 28-4-00 |



L12103

NOTES

COMPONENTS USED:  
 R205 - R274, R276 - R294, R297, R302 - R313  
 R328 - R331, R338 - R342  
 C165 - C168, C162 - C174, C178 - C188  
 C193 - C202  
 C287 - C216  
 C29 - C30  
 C28 - C36  
 IC28 - IC36, IC41  
 LED3 - LED4  
 LED9 - LED11  
 S90 - S91

TRANSFORMERS FOR AUX AND MONO OUTPUTS ARE OPTIONALLY FITTED TO MOTHERBOARD

CN8 IS OMITTED ON 8488 AND C201 - C205 ARE FITTED IN PLACE AS SHOWN

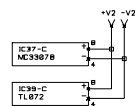
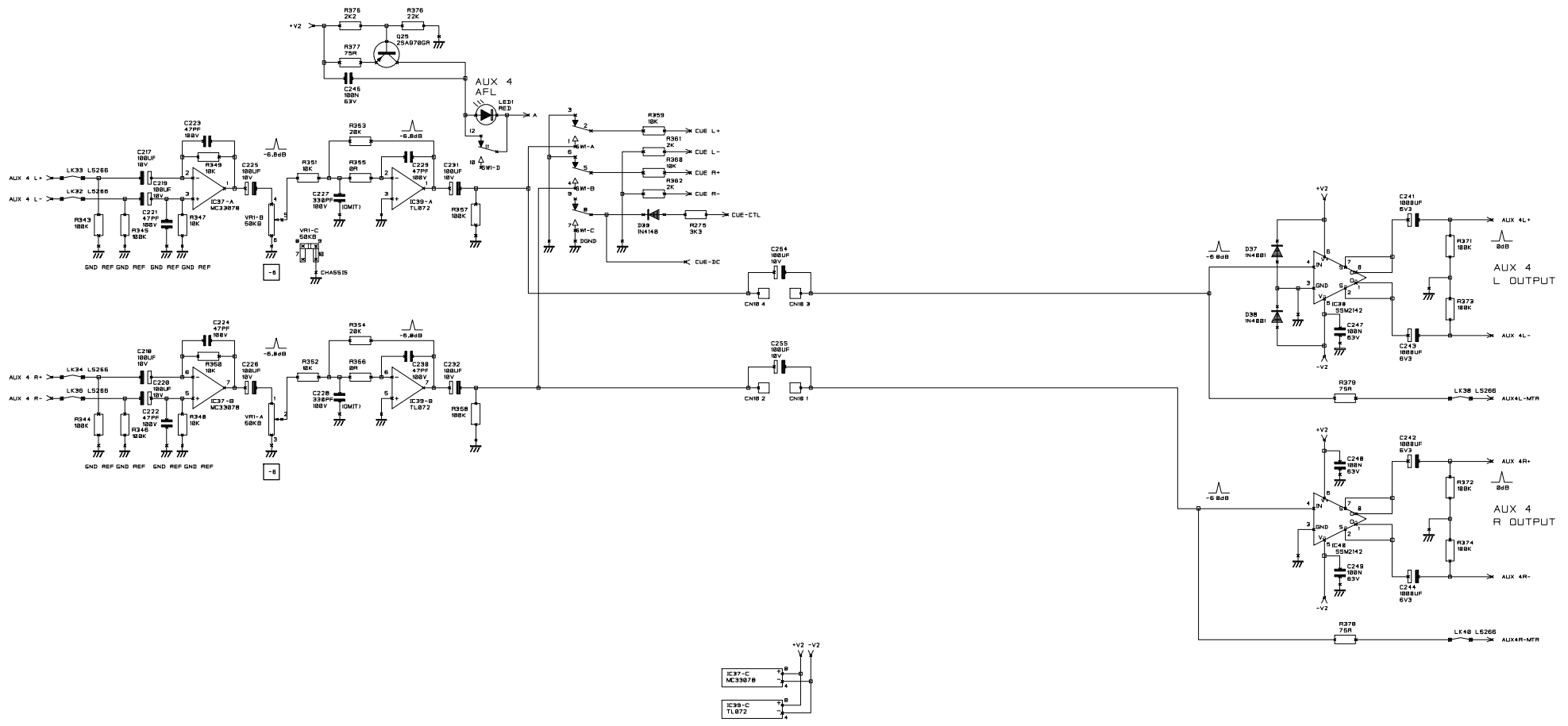
J2, J3 ON PINS 1 & 2 FOR POST LIMITER TO MONO OUTPUT POST SELECTION  
 J2, J3 ON PINS 2 & 3 FOR POST FADER, PRE LIMITER TO MONO OUTPUT POST SELECTION

DRN. CJH

TITLE  
SOUNDCRAFT 8800  
STEREO MASTER

DRG NO.  
ED 3515G

| INITIAL | ISSUE | DATE    |
|---------|-------|---------|
| RNJS    | 5:07  | 28-4-00 |



NOTES

COMPONENTS USED,  
R343 - R362, R371 - R379  
C217 - C232, C241 - C249  
D37 - D39  
Q25  
IC37 - IC48  
LED1  
SW1  
LK38 - LK41  
VRI

TRANSFORMERS FOR AUX OUTPUTS ARE OPTIONALLY FITTED ON MOTHERBOARD

R353, R354 ARE 20K  
C229, C238 ARE 47P  
R355, R356 ARE 0R  
C227, C238 ARE OMITTED

DRN. CJH

TITLE  
SOUNDCRAFT 8800  
STEREO MASTER

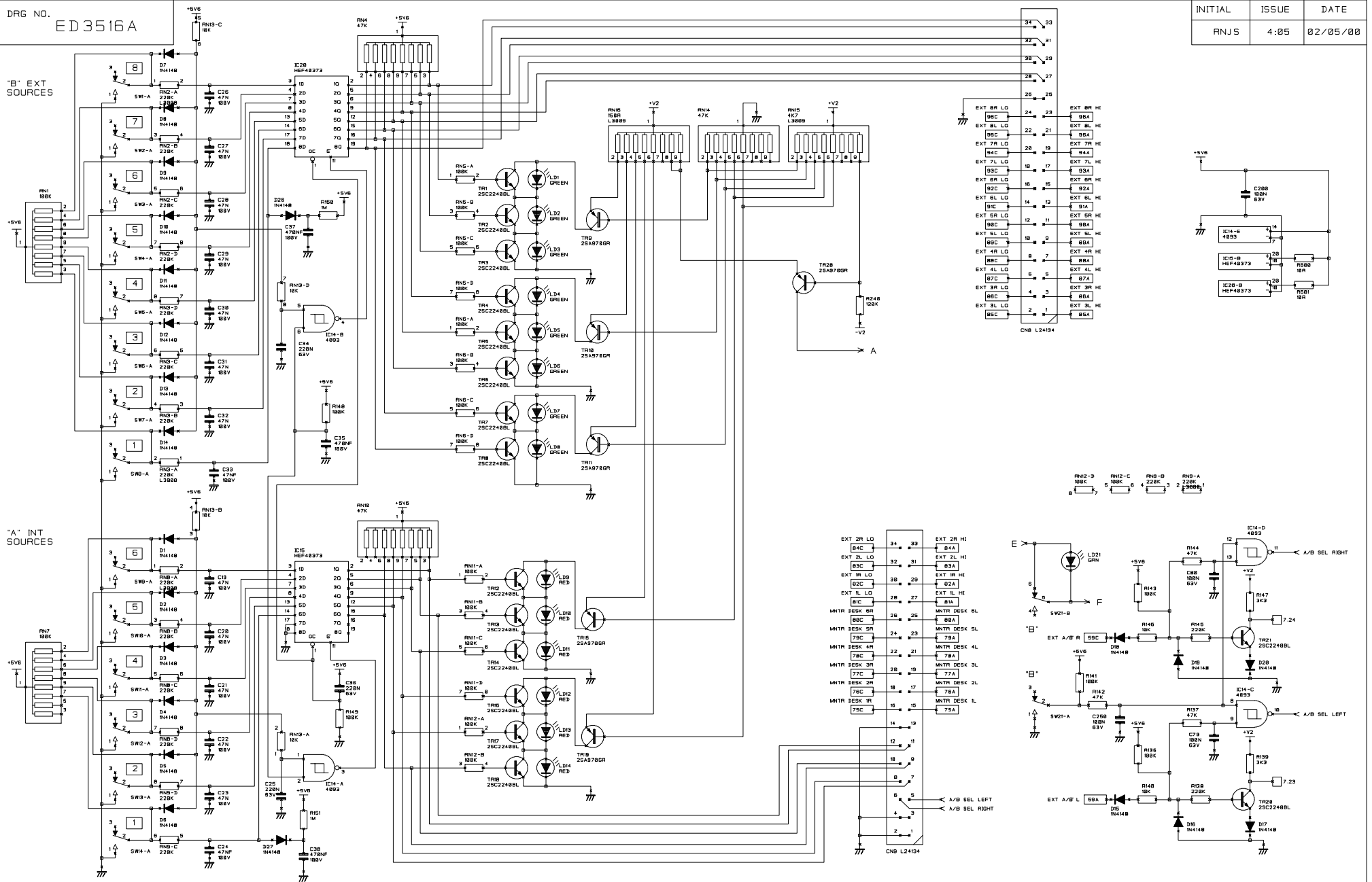
DRG NO.  
ED 3515H

DRG NO. ED 3516A

| INITIAL | ISSUE | DATE     |
|---------|-------|----------|
| RNJS    | 4:05  | 02/05/00 |

'B' EXT SOURCES

'A' INT SOURCES



NOTES

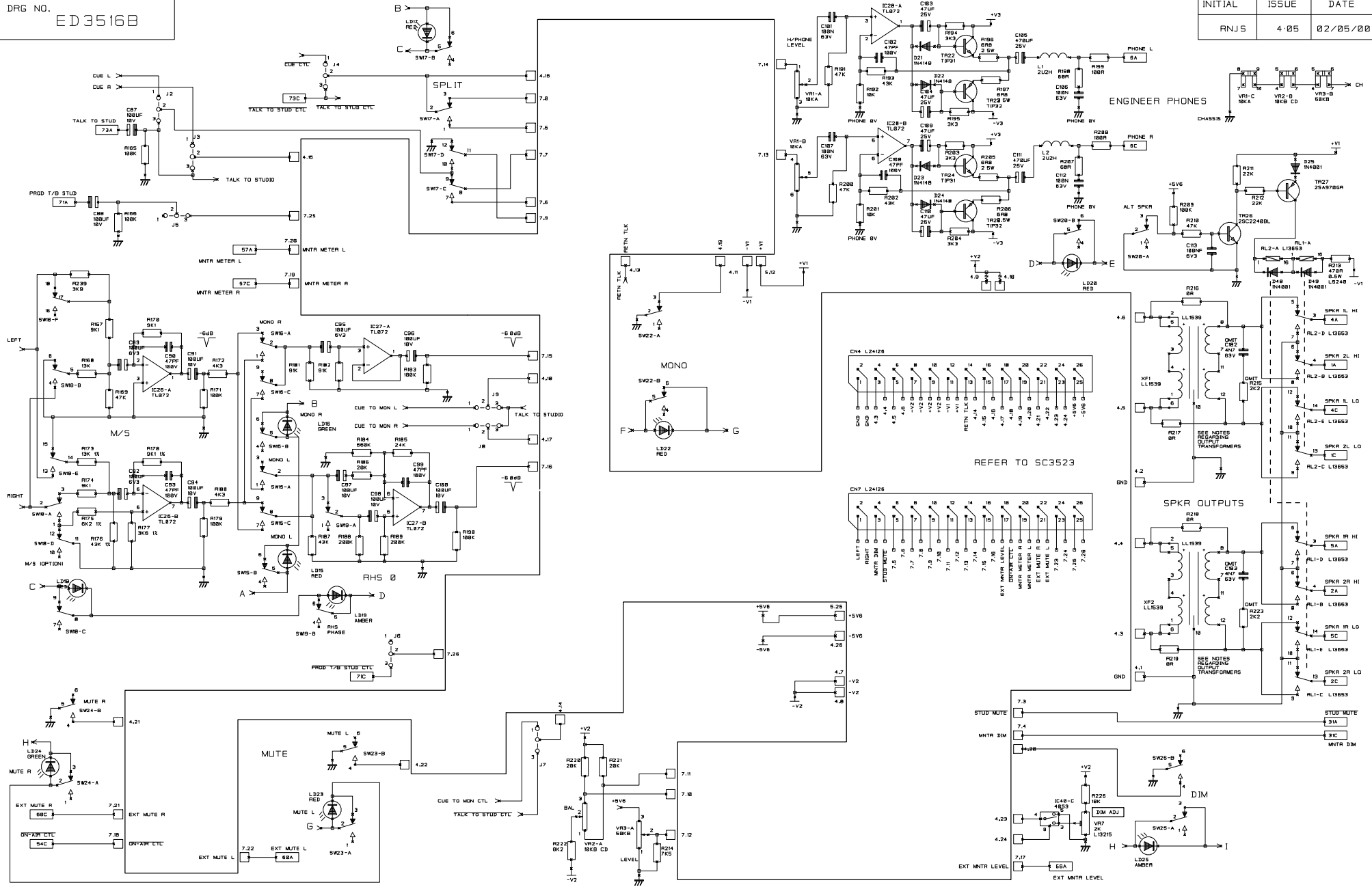
DRN. CB/VCR

TITLE  
B800 MONITOR  
MODULE MAIN PCB

DRG NO. ED 3516A



| INITIAL | ISSUE | DATE     |
|---------|-------|----------|
| RNJS    | 4:05  | 02/05/00 |



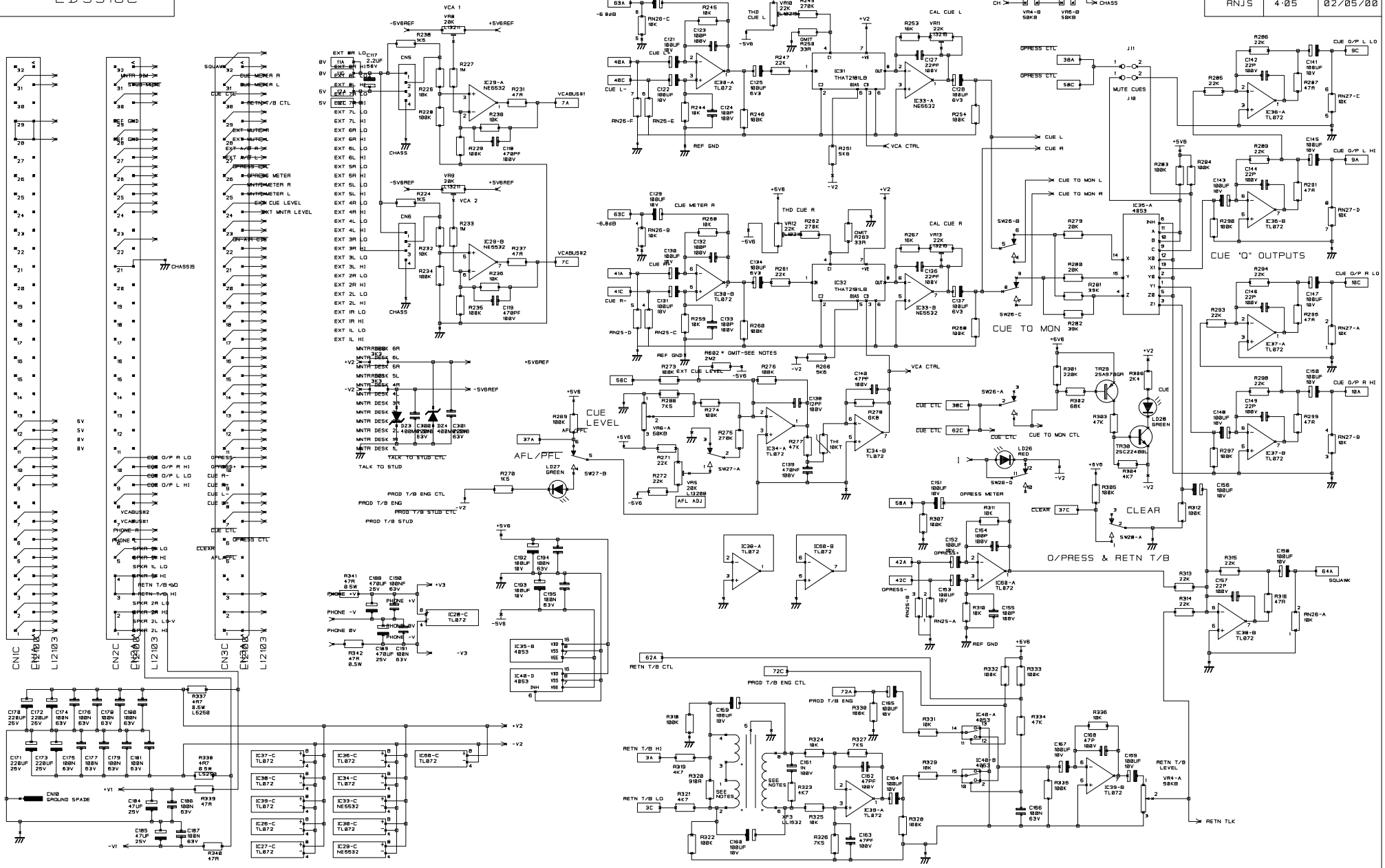
NOTES

|                          |                             |
|--------------------------|-----------------------------|
| WITH OUTPUT TRANSFORMERS | WITHOUT OUTPUT TRANSFORMERS |
| FIT XF1.2                | OMIT XF1.2                  |
| FIT C182.183 = 4N7       | OMIT C182.183 = 4N7         |
| FIT R215.223 = 2K2       | OMIT R215.223 = 2K2         |
| OMIT R216-219            | FIT R216-219                |

DRN. CB/VCR

TITLE  
B800 MONITOR  
MODULE MAIN PCB

DRG NO. ED 3516B



NOTES  
 RETN T/B INPUT  
 XF3 NORMALLY OMITTED  
 FOR X/F VERSION  
 FIT XF3, R320-910R, R323-4K7  
 OMIT C159 C160  
 CHANGE R324 R325 (10K) TO 7K5  
 CHANGE R326 R327 (7K5) TO 47K

J10 & J11  
 LINK 1-2  
 1-2 DEFAULT  
 SWES CUE ON SQUAWK  
 SPEAKER (NO O O/P)  
 IS DISABLED  
 TO SQUAWK BY  
 EITHER O/PRESS PFL  
 OR CUE TO MON SW

FITTED 1-1  
 1-2  
 CUE FEEDS O O/Ps  
 (AND NOT SQUAWK)  
 ALSO DISABLED BY  
 EITHER O/PRESS PFL  
 OR CUE TO MON SW  
 FIT R602 2M2 FOR CUE +6dB MAX

DRN. CB/VCR

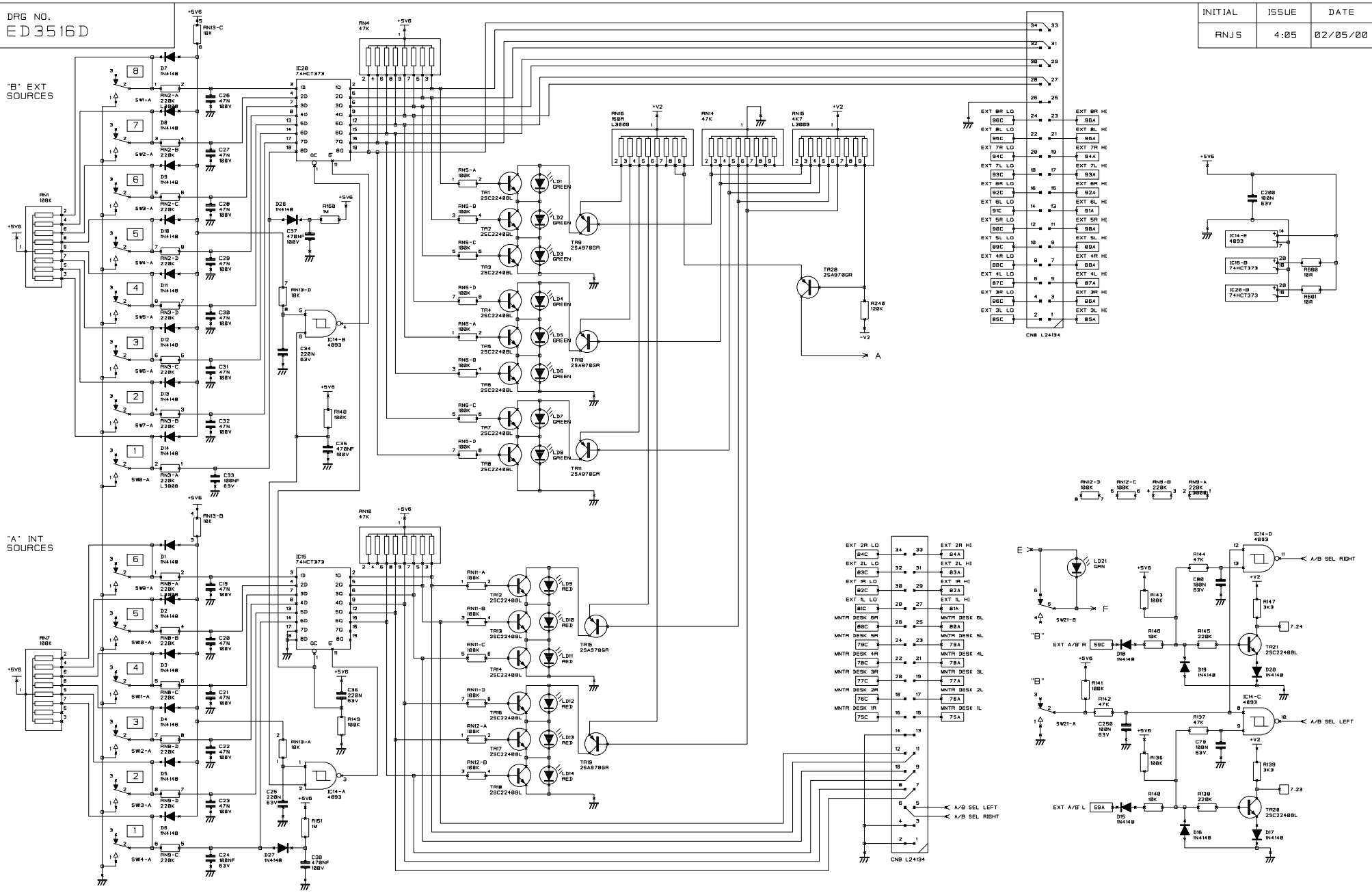
TITLE  
 B800 MONITOR  
 MODULE MAIN PCB  
 DRG NO. ED 3516C

DRG NO.  
ED 3516D

| INITIAL | ISSUE | DATE     |
|---------|-------|----------|
| RNJS    | 4:05  | 02/05/00 |

'B' EXT SOURCES

'A' INT SOURCES



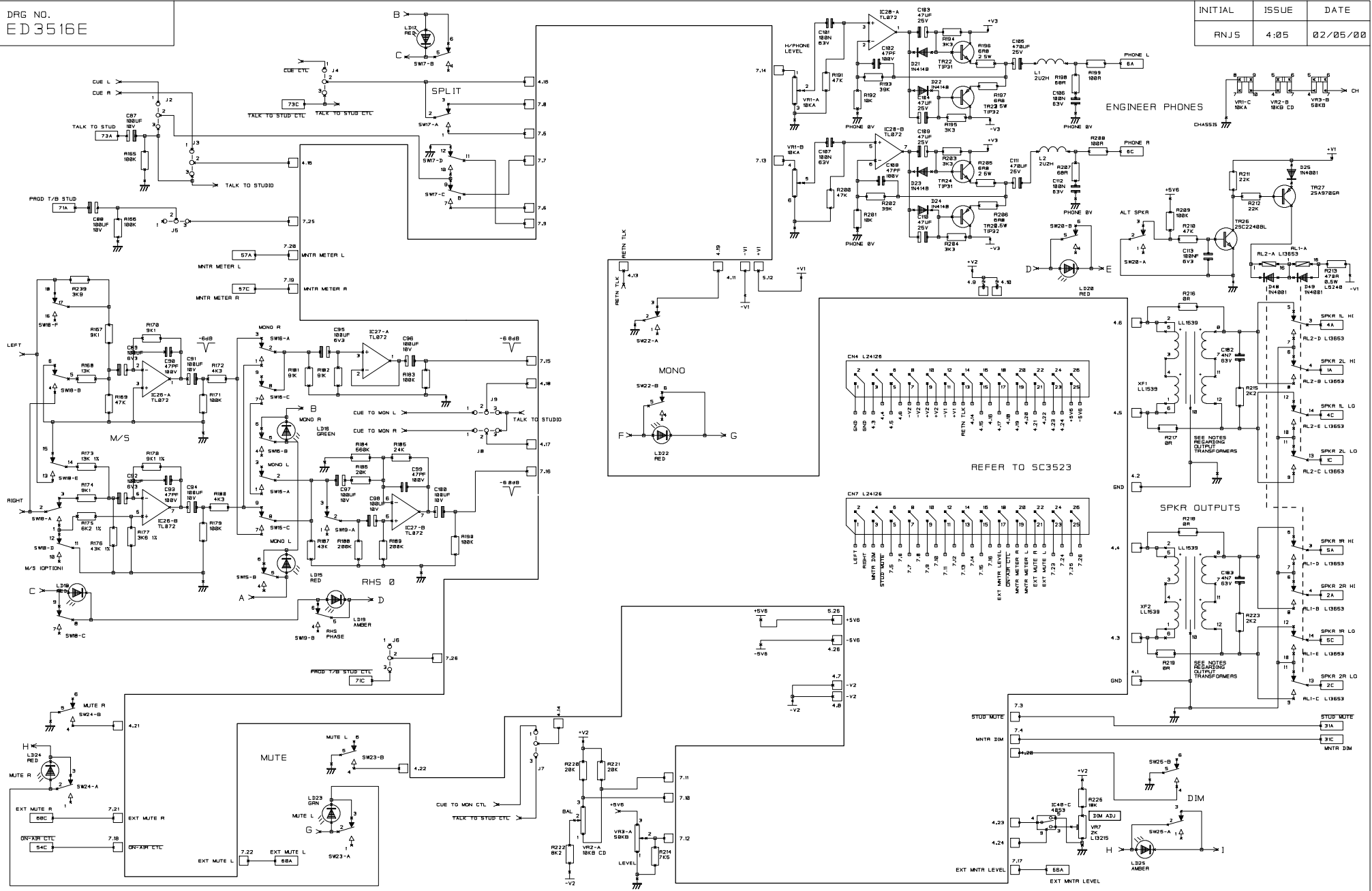
NOTES

DRN. CB/VCR

TITLE  
B400 MONITOR  
MODULE MAIN PCB

DRG NO.  
ED 3516D

| INITIAL | ISSUE | DATE     |
|---------|-------|----------|
| RNJS    | 4:05  | 02/05/00 |



NOTES  
 WITH OUTPUT TRANSFORMERS  
 FIT XF1.2  
 OMIT C182,183 = 4N7  
 FIT R215,223 = 2K2  
 OMIT R216-219

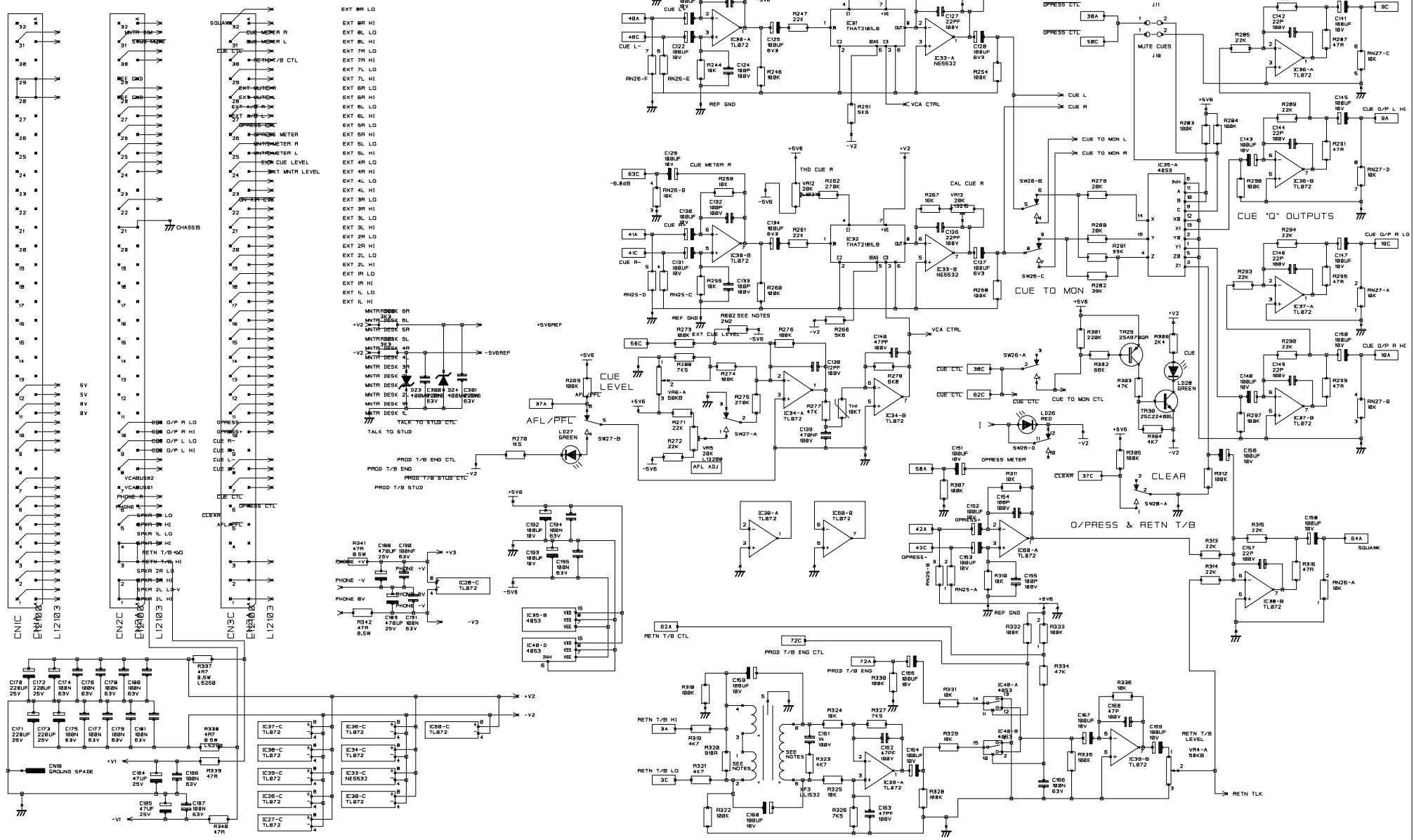
WITHOUT OUTPUT TRANSFORMERS  
 OMIT XF1.2  
 OMIT C182,183 = 4N7  
 OMIT R215,223 = 2K2  
 FIT R216-219

DRN. CB/VCR

TITLE  
 B400 MONITOR  
 MODULE MAIN PCB

DRG NO  
 ED 3516E

| INITIAL | ISSUE | DATE     |
|---------|-------|----------|
| RNJS    | 4:05  | 02/05/00 |



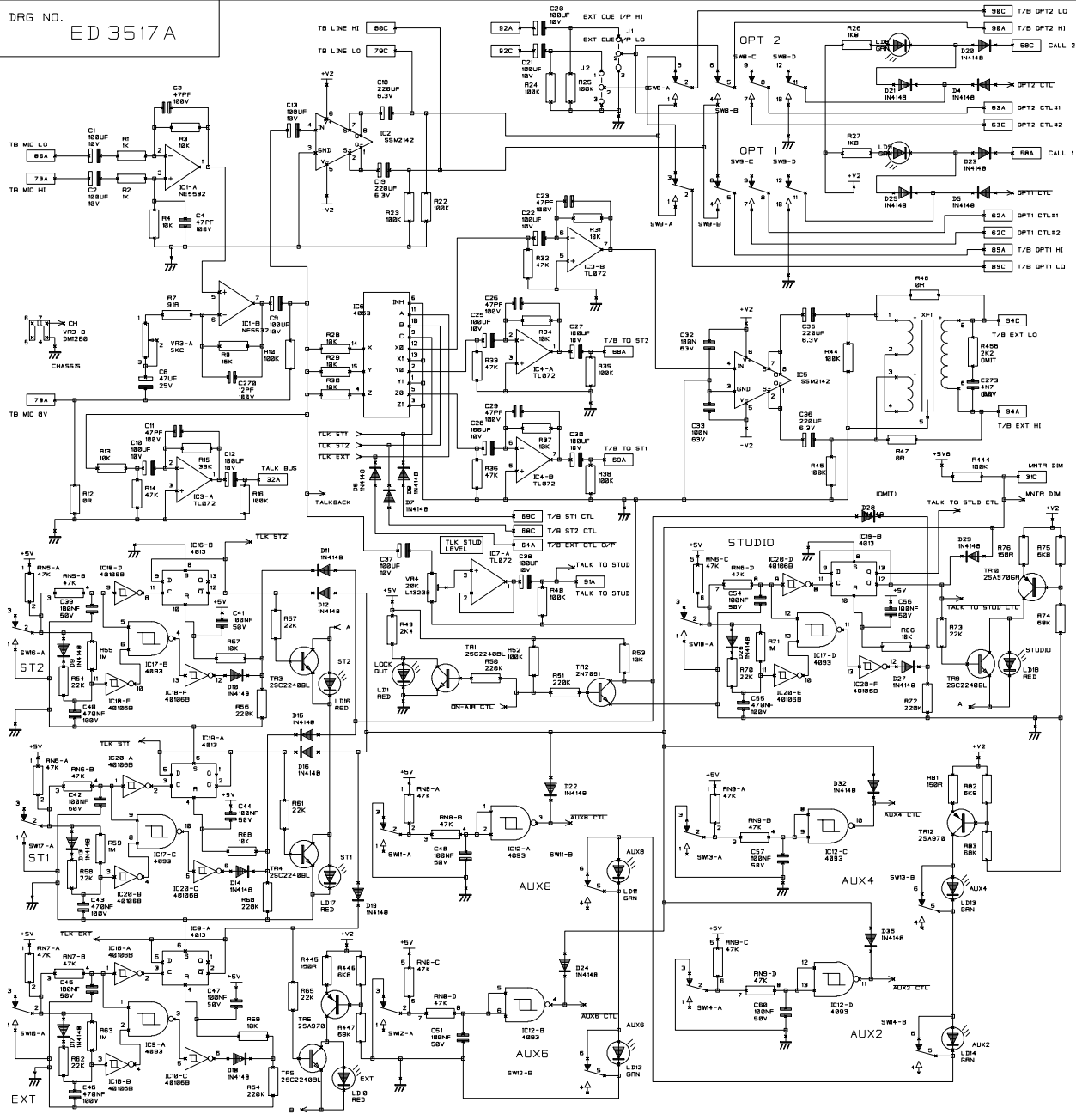
NOTES  
 RETN T/B INPUT  
 XF3 NORMALLY OMITTED  
 FOR X/F VERSION  
 FIT XF3 R322-318R. R323-4K7  
 OMIT C169 C160  
 CHANGE R324 R325 (10K) TO 7K5  
 CHANGE R326 R327 (17K5) TO 47K

J10 & J11  
 LINK 1-2  
 1-2 DEFAULT  
 SWES CUE ON SQUAWK  
 SPEAKER (NO O O/P)  
 CUE IS DISABLED  
 TO SQUAWK BY  
 EITHER O/PRESS PFL  
 OR CUE TO MON SW

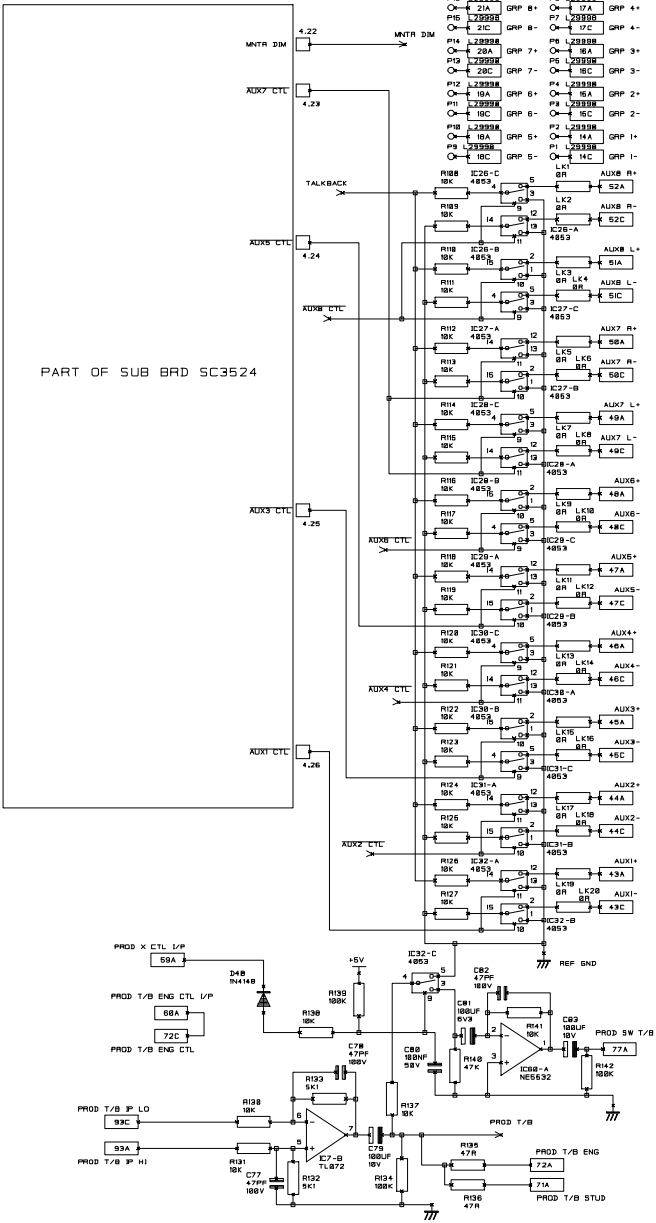
FITTED 1-1  
 2-2  
 CUE FEEDS O O/Ps  
 (AND NOT SQUAWK)  
 ALSO DISABLED BY  
 EITHER O/PRESS PFL  
 OR CUE TO MON SW  
 FIT R602 2M2 FOR CUE +6dB MAX

DRN. CB/VCR

TITLE  
 B400 MONITOR  
 MODULE MAIN PCB  
 DRG NO  
 ED 3516F



| INITIAL | ISSUE | DATE     |
|---------|-------|----------|
| TW      | 4:06  | 14-10-98 |



NOTES

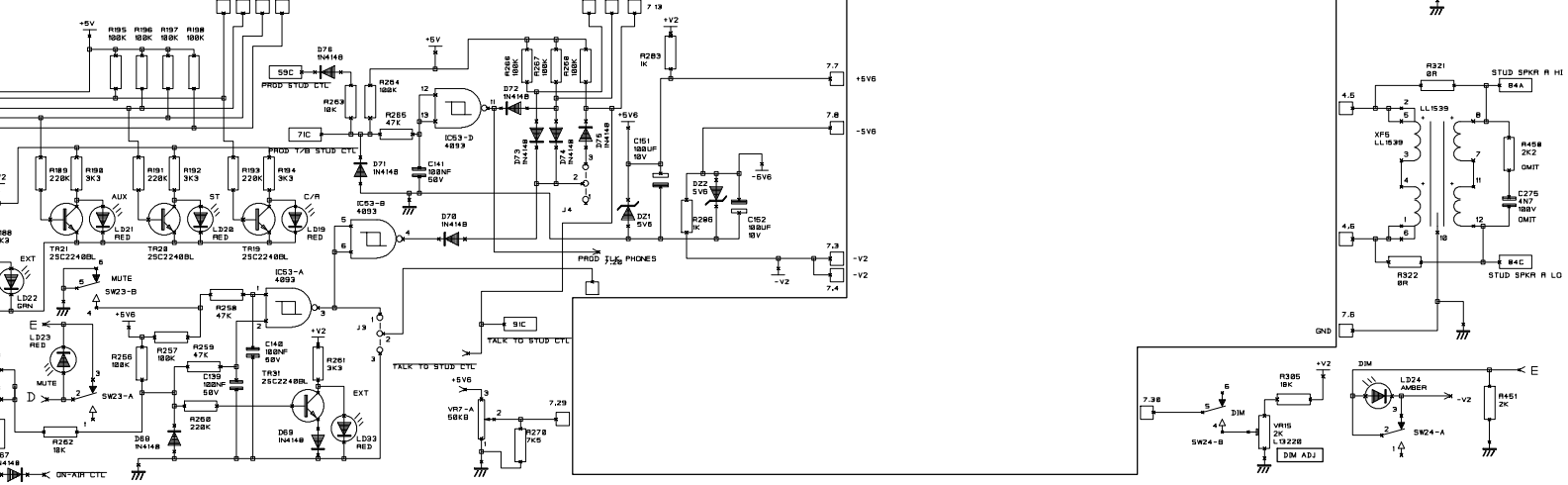
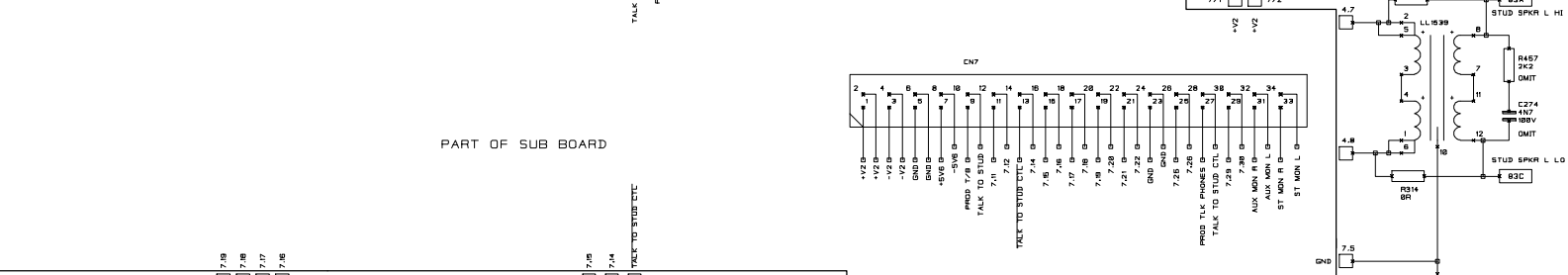
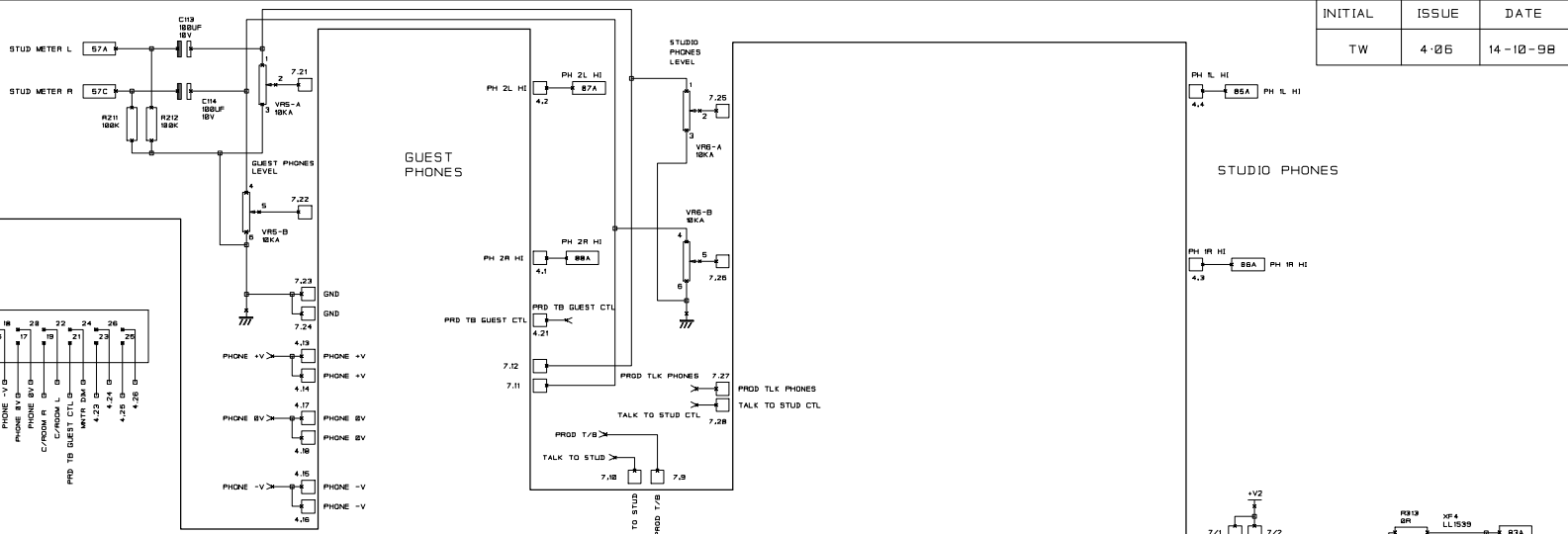
DRN.

CJH

TITLE  
B800  
COMMS MODULE

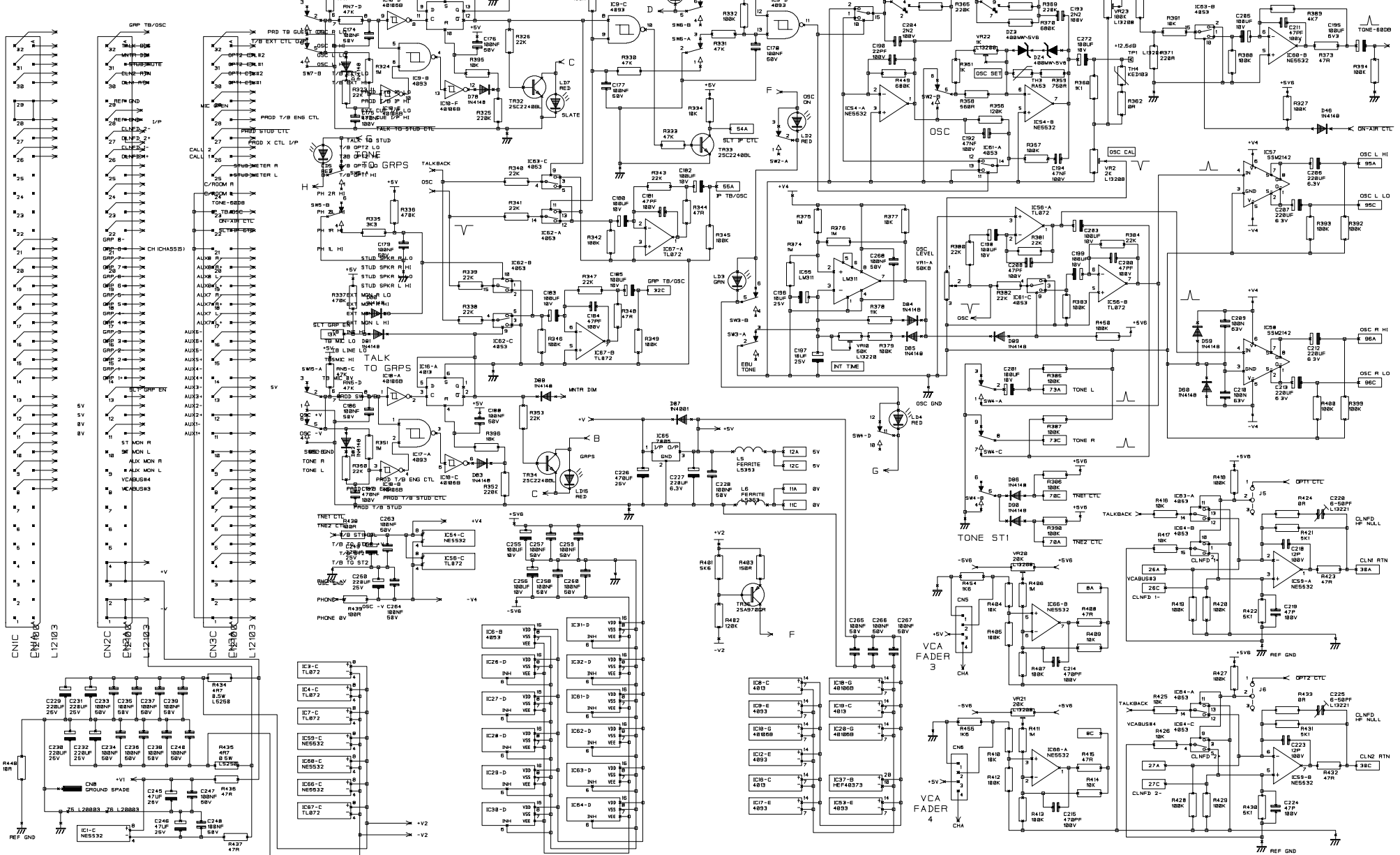
DRG NO.  
ED 3517A

| INITIAL | ISSUE | DATE     |
|---------|-------|----------|
| TW      | 4-06  | 14-10-98 |



NOTES  
 TRANSFORMER VERSION  
 OMIT R46, R47, R913, R914, R921, R922  
 FIT R465 TO R468 2K2  
 FIT C279 TO C276 4N7

|      |     |         |                      |
|------|-----|---------|----------------------|
| DRN. | CJH | TITLE   | B800<br>COMMS MODULE |
|      |     | DRG NO. | ED3517B              |



NOTES

DRN.

CJH

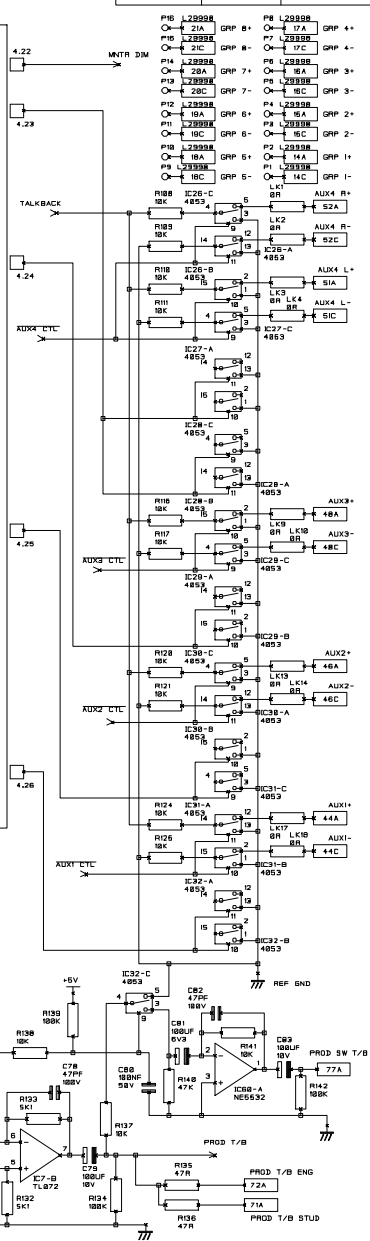
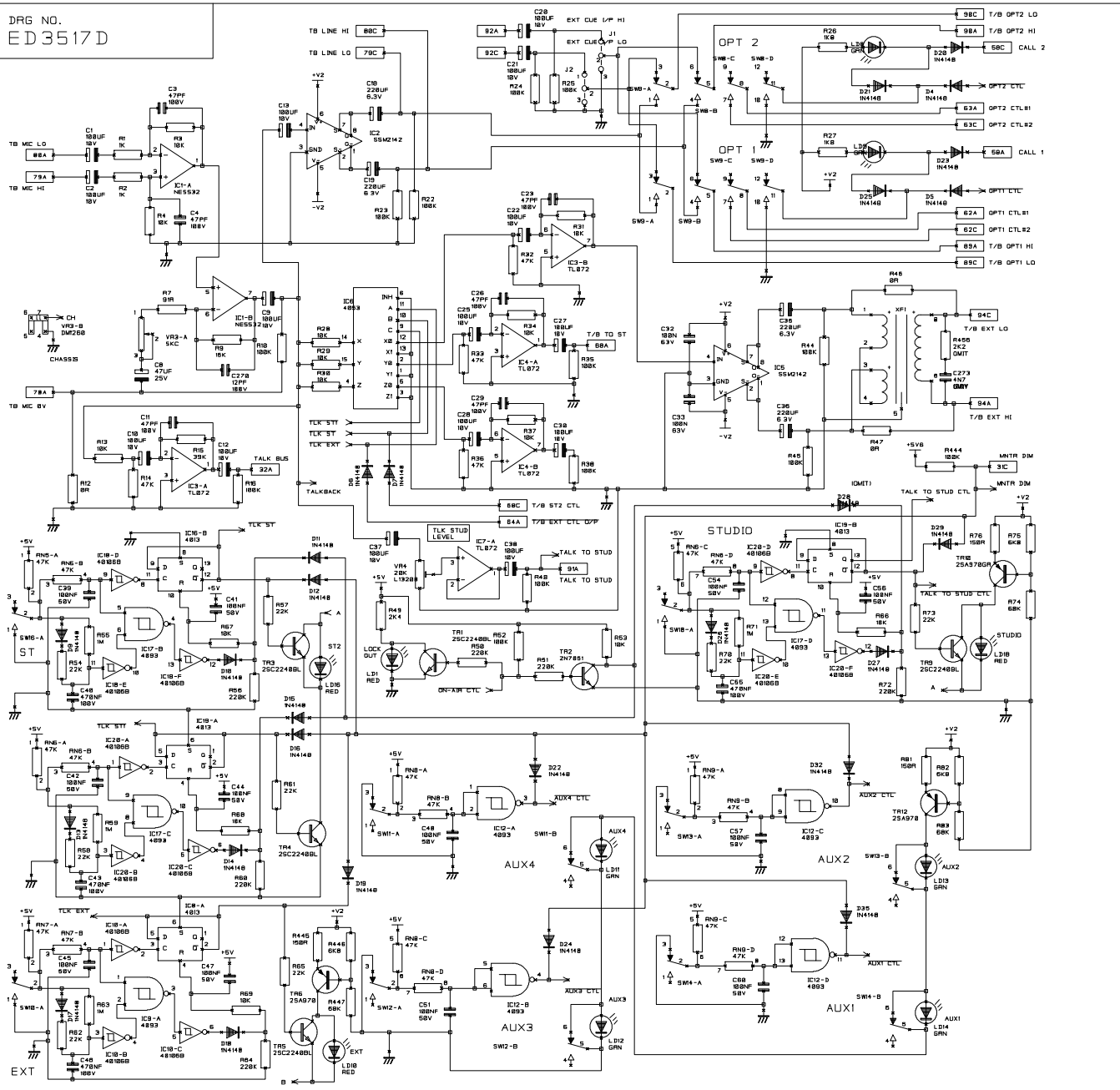
TITLE  
B800  
COMMS MODULE

DRG NO.  
ED 3517C



DRG NO.  
ED 3517 D

| INITIAL | ISSUE | DATE     |
|---------|-------|----------|
| TW      | 4:06  | 14-10-98 |



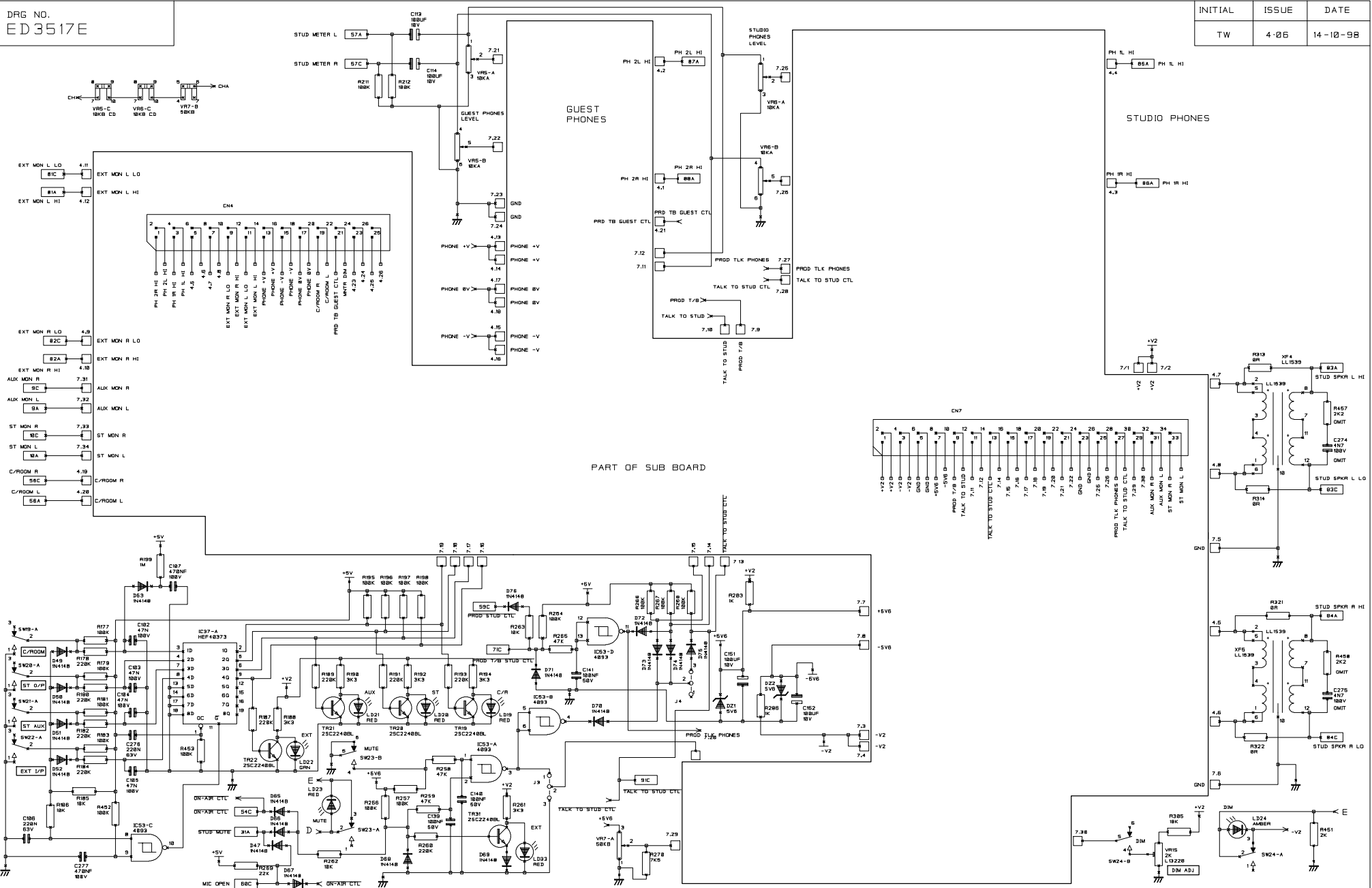
NOTES

DRN. CJH

TITLE  
B800  
COMMS MODULE  
DRG NO  
ED 3517 D

DRG NO.  
ED 3517E

| INITIAL | ISSUE | DATE     |
|---------|-------|----------|
| TW      | 4-06  | 14-10-98 |



NOTES  
TRANSFORMER VERSION  
OMIT R46, R47, R49, R51, R52, R53, R54, R55, R56, R57, R58, R59, R60, R61, R62, R63, R64, R65, R66, R67, R68, R69, R70, R71, R72, R73, R74, R75, R76, R77, R78, R79, R80, R81, R82, R83, R84, R85, R86, R87, R88, R89, R90, R91, R92, R93, R94, R95, R96, R97, R98, R99, R100, R101, R102, R103, R104, R105, R106, R107, R108, R109, R110, R111, R112, R113, R114, R115, R116, R117, R118, R119, R120, R121, R122, R123, R124, R125, R126, R127, R128, R129, R130, R131, R132, R133, R134, R135, R136, R137, R138, R139, R140, R141, R142, R143, R144, R145, R146, R147, R148, R149, R150, R151, R152, R153, R154, R155, R156, R157, R158, R159, R160, R161, R162, R163, R164, R165, R166, R167, R168, R169, R170, R171, R172, R173, R174, R175, R176, R177, R178, R179, R180, R181, R182, R183, R184, R185, R186, R187, R188, R189, R190, R191, R192, R193, R194, R195, R196, R197, R198, R199, R200, R201, R202, R203, R204, R205, R206, R207, R208, R209, R210, R211, R212, R213, R214, R215, R216, R217, R218, R219, R220, R221, R222, R223, R224, R225, R226, R227, R228, R229, R230, R231, R232, R233, R234, R235, R236, R237, R238, R239, R240, R241, R242, R243, R244, R245, R246, R247, R248, R249, R250, R251, R252, R253, R254, R255, R256, R257, R258, R259, R260, R261, R262, R263, R264, R265, R266, R267, R268, R269, R270, R271, R272, R273, R274, R275, R276, R277, R278, R279, R280, R281, R282, R283, R284, R285, R286, R287, R288, R289, R290, R291, R292, R293, R294, R295, R296, R297, R298, R299, R300, R301, R302, R303, R304, R305, R306, R307, R308, R309, R310, R311, R312, R313, R314, R315, R316, R317, R318, R319, R320, R321, R322, R323, R324, R325, R326, R327, R328, R329, R330, R331, R332, R333, R334, R335, R336, R337, R338, R339, R340, R341, R342, R343, R344, R345, R346, R347, R348, R349, R350, R351, R352, R353, R354, R355, R356, R357, R358, R359, R360, R361, R362, R363, R364, R365, R366, R367, R368, R369, R370, R371, R372, R373, R374, R375, R376, R377, R378, R379, R380, R381, R382, R383, R384, R385, R386, R387, R388, R389, R390, R391, R392, R393, R394, R395, R396, R397, R398, R399, R400, R401, R402, R403, R404, R405, R406, R407, R408, R409, R410, R411, R412, R413, R414, R415, R416, R417, R418, R419, R420, R421, R422, R423, R424, R425, R426, R427, R428, R429, R430, R431, R432, R433, R434, R435, R436, R437, R438, R439, R440, R441, R442, R443, R444, R445, R446, R447, R448, R449, R450, R451, R452, R453, R454, R455, R456, R457, R458, R459, R460, R461, R462, R463, R464, R465, R466, R467, R468, R469, R470, R471, R472, R473, R474, R475, R476, R477, R478, R479, R480, R481, R482, R483, R484, R485, R486, R487, R488, R489, R490, R491, R492, R493, R494, R495, R496, R497, R498, R499, R500, R501, R502, R503, R504, R505, R506, R507, R508, R509, R510, R511, R512, R513, R514, R515, R516, R517, R518, R519, R520, R521, R522, R523, R524, R525, R526, R527, R528, R529, R530, R531, R532, R533, R534, R535, R536, R537, R538, R539, R540, R541, R542, R543, R544, R545, R546, R547, R548, R549, R550, R551, R552, R553, R554, R555, R556, R557, R558, R559, R560, R561, R562, R563, R564, R565, R566, R567, R568, R569, R570, R571, R572, R573, R574, R575, R576, R577, R578, R579, R580, R581, R582, R583, R584, R585, R586, R587, R588, R589, R590, R591, R592, R593, R594, R595, R596, R597, R598, R599, R600, R601, R602, R603, R604, R605, R606, R607, R608, R609, R610, R611, R612, R613, R614, R615, R616, R617, R618, R619, R620, R621, R622, R623, R624, R625, R626, R627, R628, R629, R630, R631, R632, R633, R634, R635, R636, R637, R638, R639, R640, R641, R642, R643, R644, R645, R646, R647, R648, R649, R650, R651, R652, R653, R654, R655, R656, R657, R658, R659, R660, R661, R662, R663, R664, R665, R666, R667, R668, R669, R670, R671, R672, R673, R674, R675, R676, R677, R678, R679, R680, R681, R682, R683, R684, R685, R686, R687, R688, R689, R690, R691, R692, R693, R694, R695, R696, R697, R698, R699, R700, R701, R702, R703, R704, R705, R706, R707, R708, R709, R710, R711, R712, R713, R714, R715, R716, R717, R718, R719, R720, R721, R722, R723, R724, R725, R726, R727, R728, R729, R730, R731, R732, R733, R734, R735, R736, R737, R738, R739, R740, R741, R742, R743, R744, R745, R746, R747, R748, R749, R750, R751, R752, R753, R754, R755, R756, R757, R758, R759, R760, R761, R762, R763, R764, R765, R766, R767, R768, R769, R770, R771, R772, R773, R774, R775, R776, R777, R778, R779, R780, R781, R782, R783, R784, R785, R786, R787, R788, R789, R790, R791, R792, R793, R794, R795, R796, R797, R798, R799, R800, R801, R802, R803, R804, R805, R806, R807, R808, R809, R810, R811, R812, R813, R814, R815, R816, R817, R818, R819, R820, R821, R822, R823, R824, R825, R826, R827, R828, R829, R830, R831, R832, R833, R834, R835, R836, R837, R838, R839, R840, R841, R842, R843, R844, R845, R846, R847, R848, R849, R850, R851, R852, R853, R854, R855, R856, R857, R858, R859, R860, R861, R862, R863, R864, R865, R866, R867, R868, R869, R870, R871, R872, R873, R874, R875, R876, R877, R878, R879, R880, R881, R882, R883, R884, R885, R886, R887, R888, R889, R890, R891, R892, R893, R894, R895, R896, R897, R898, R899, R900, R901, R902, R903, R904, R905, R906, R907, R908, R909, R910, R911, R912, R913, R914, R915, R916, R917, R918, R919, R920, R921, R922, R923, R924, R925, R926, R927, R928, R929, R930, R931, R932, R933, R934, R935, R936, R937, R938, R939, R940, R941, R942, R943, R944, R945, R946, R947, R948, R949, R950, R951, R952, R953, R954, R955, R956, R957, R958, R959, R960, R961, R962, R963, R964, R965, R966, R967, R968, R969, R970, R971, R972, R973, R974, R975, R976, R977, R978, R979, R980, R981, R982, R983, R984, R985, R986, R987, R988, R989, R990, R991, R992, R993, R994, R995, R996, R997, R998, R999, R1000.

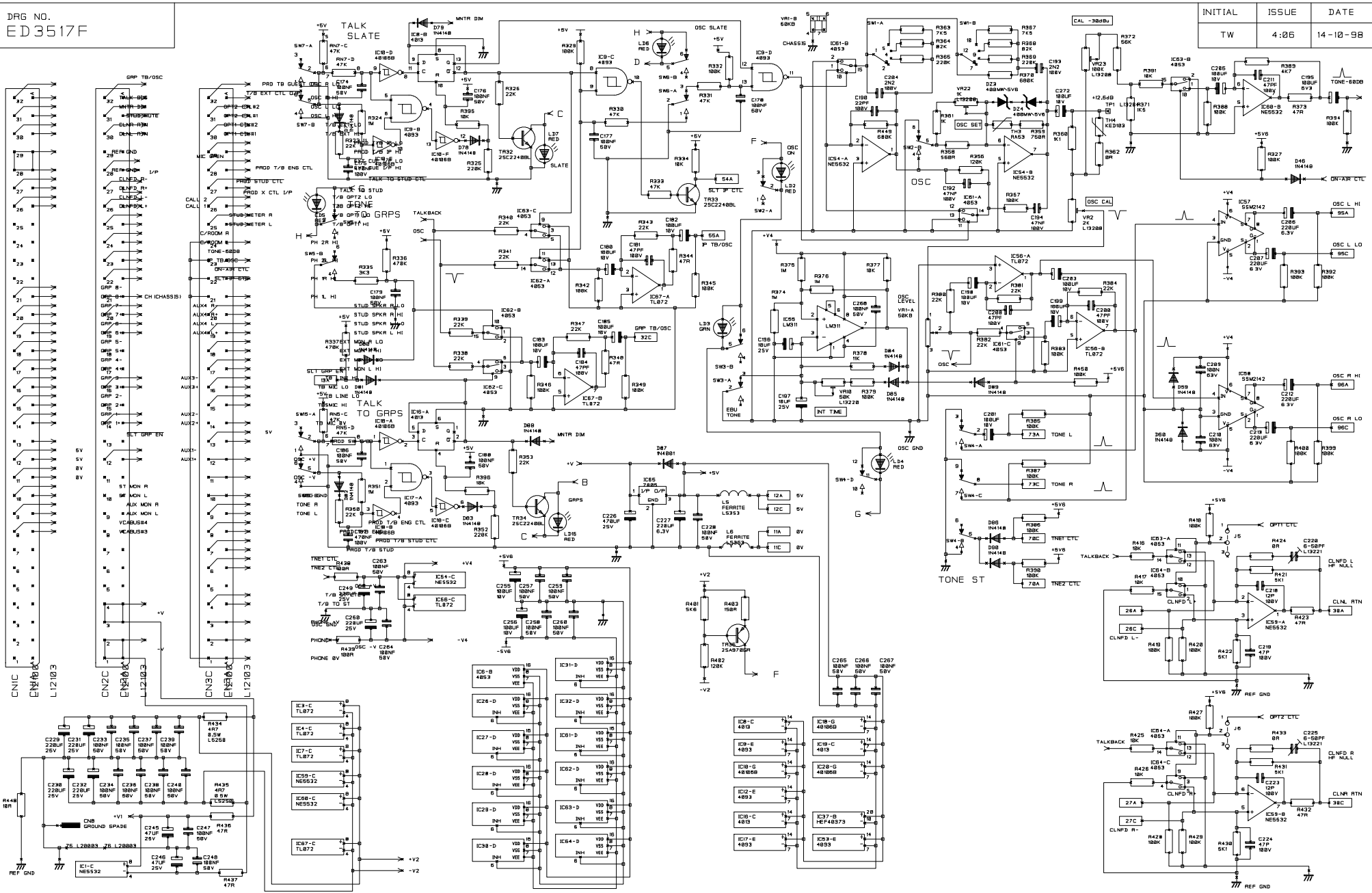
DRN. CJH

TITLE  
B800  
COMMS MODULE

DRG NO  
ED 3517E

DRG NO.  
ED 3517F

| INITIAL | ISSUE | DATE     |
|---------|-------|----------|
| TW      | 4:06  | 14-10-98 |

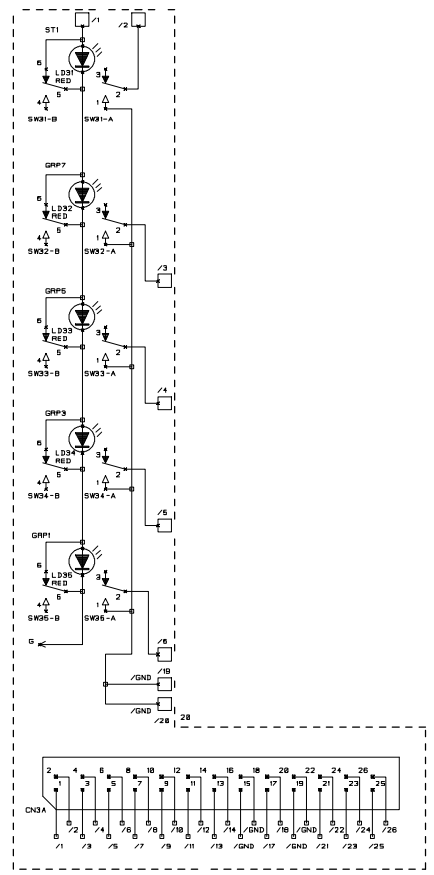
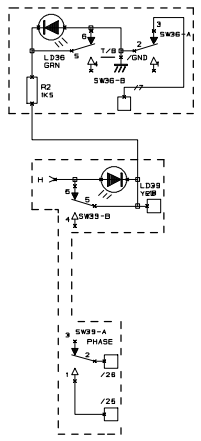
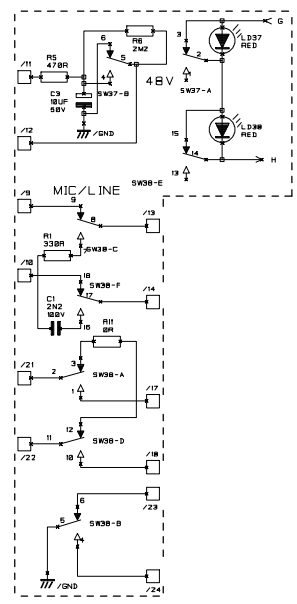


NOTES

DRN. C J H

TITLE  
B800  
COMMS MODULE

DRG NO.  
ED 3517F

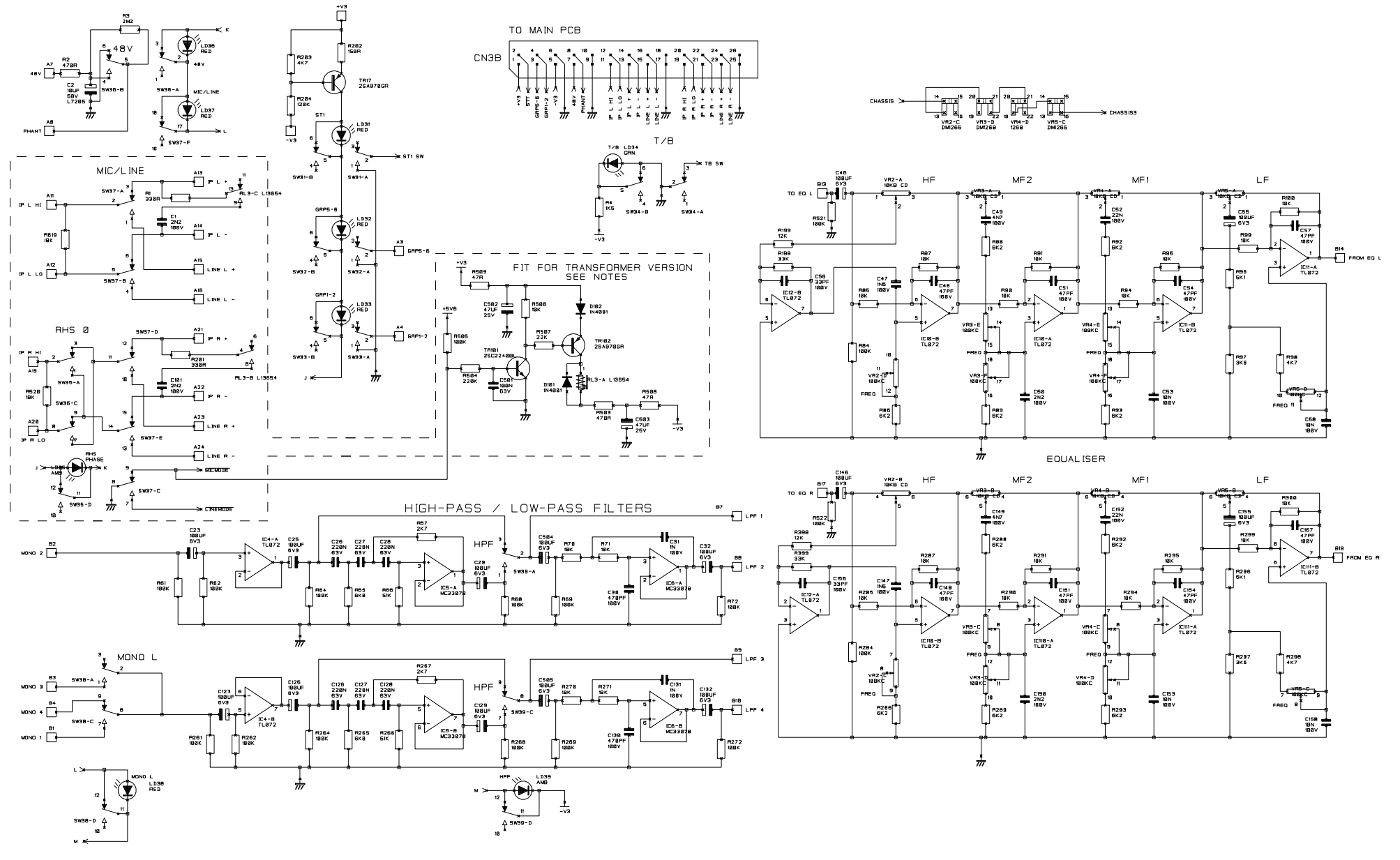


NOTES

DRN. CB/VCR

TITLE B800  
MONO INPUT MODULE  
(SUB BOARD)

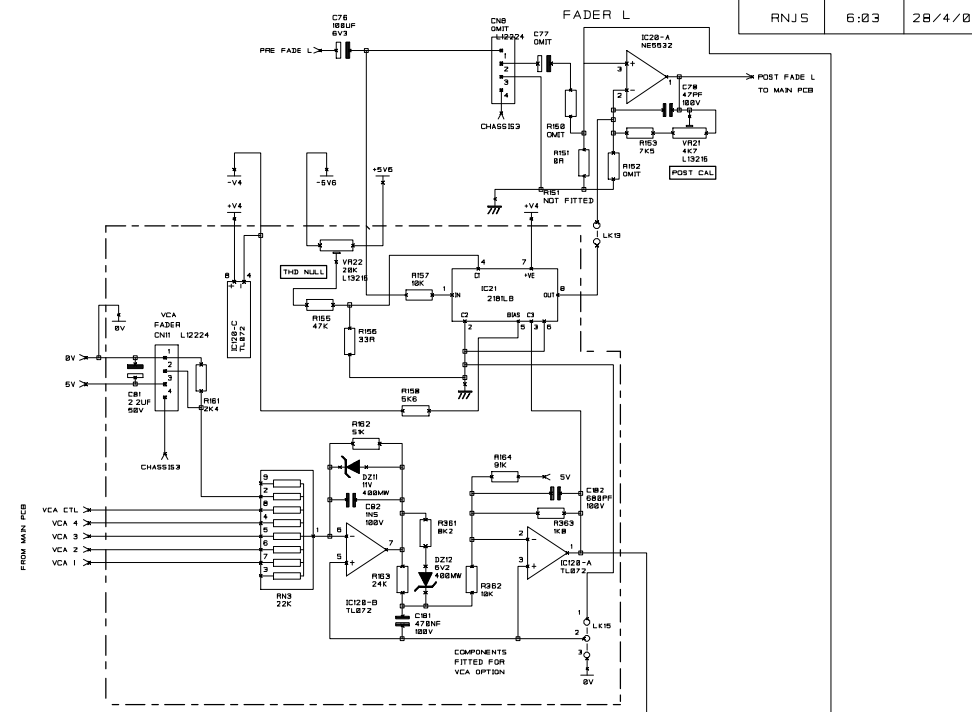
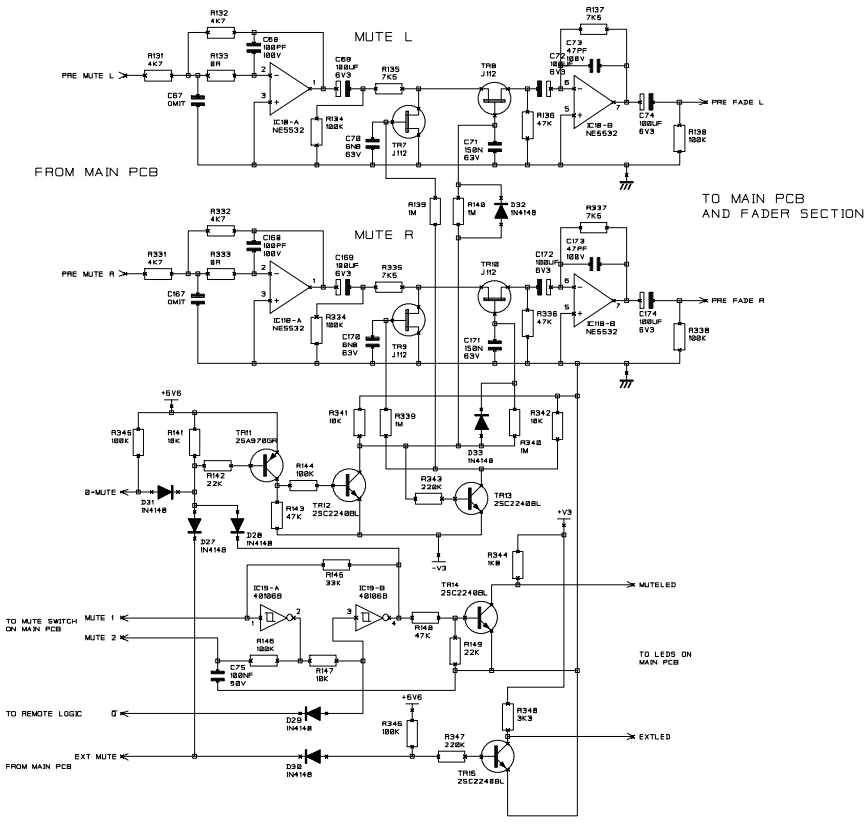
DRG NO. ED 3518



NOTES  
 FIT ONLY IF TRANSFORMERS FITTED  
 R1,R201,R503-R509,R519,R520  
 C1,C101,C501-C503  
 RL3  
 TR101,TR102  
 D101,D102

DRN. CB/PH

TITLE B800  
 STEREO INPUT MODULE  
 SUB PCB  
 DRG NO. ED 3519A



USE CLEAN EARTH ON SUB PCB POST FADE FEEDS  
 ADD WIRE LINK FOR REF GND BETWEEN MAIN & SUB PCB  
 FIT WIRE LINK BETWEEN PINS 8 & PINS 12 ON SC3518  
 FIT WIRE LINK FROM PINS 12 ON SUB PCB TO MAIN PCB - (SC3512 - CN1 PIN28/29)

NOTES

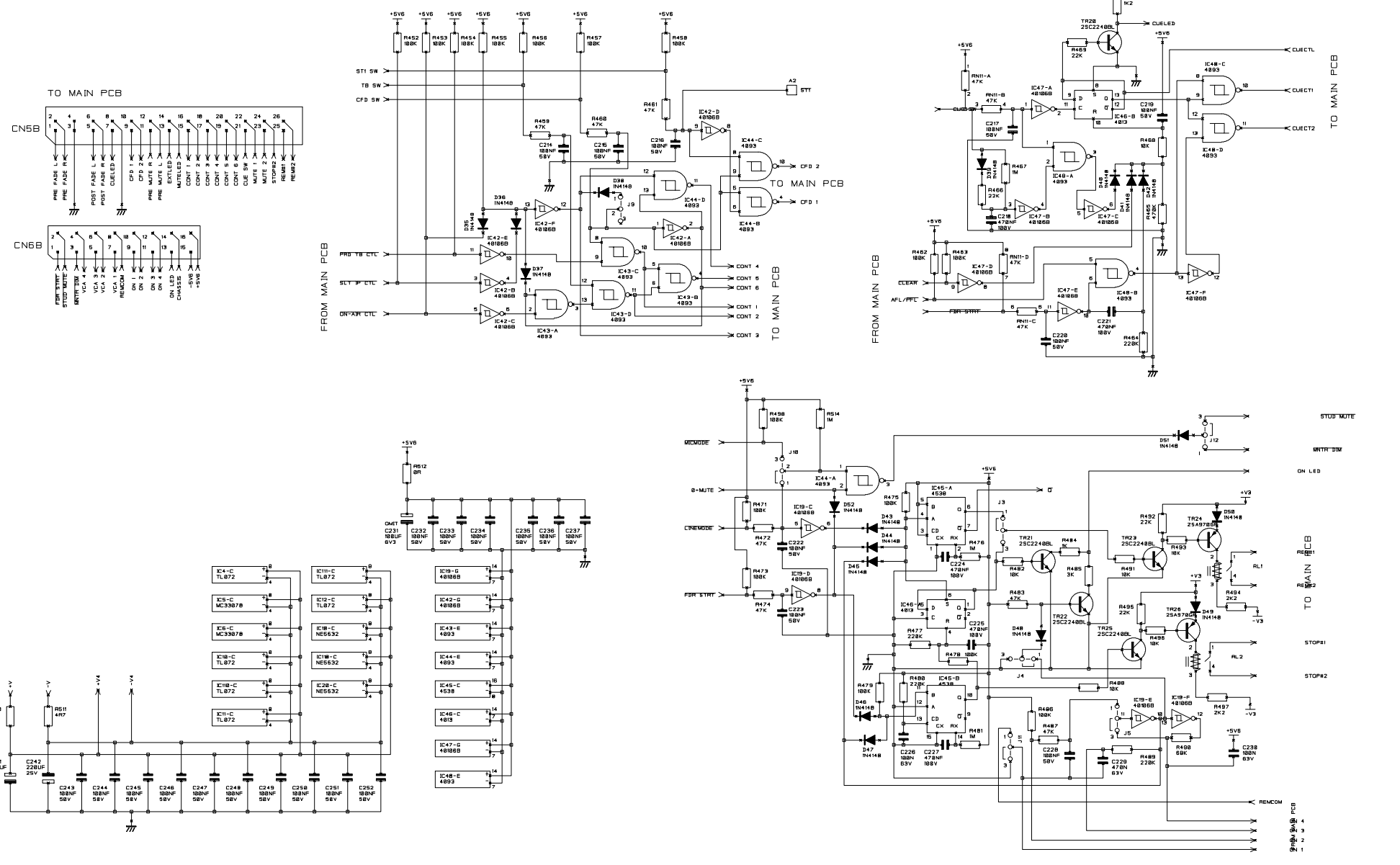
DRN. CB/PH

TITLE B800  
 STEREO INPUT MODULE  
 SUB PCB

DRG NO. ED 3519B

|         |       |         |
|---------|-------|---------|
| INITIAL | ISSUE | DATE    |
| RNJS    | 6.03  | 28/4/00 |

CUE (& PFL OVER PRESS OPTION)

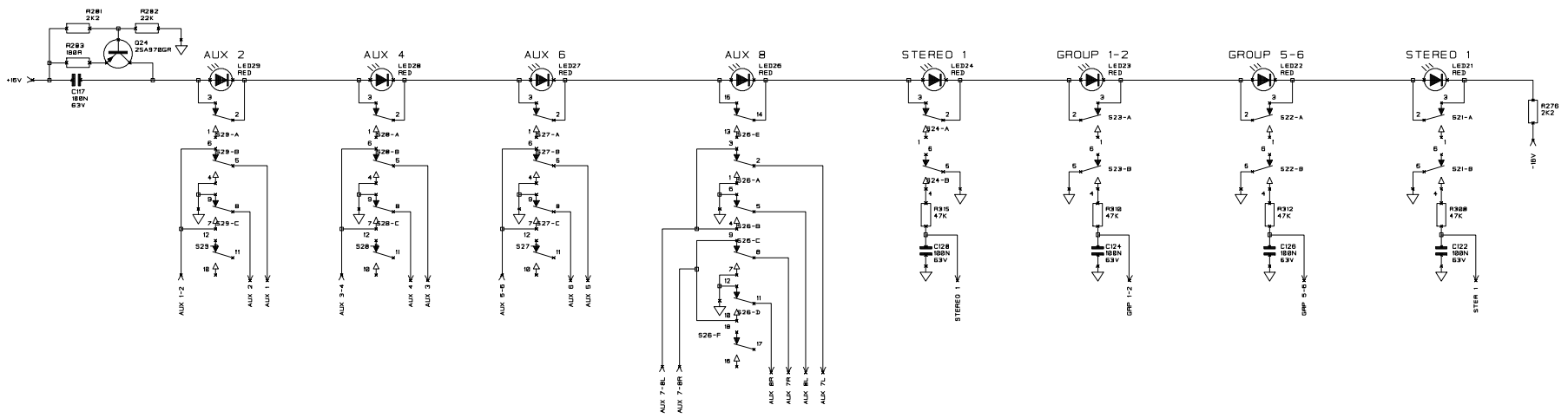
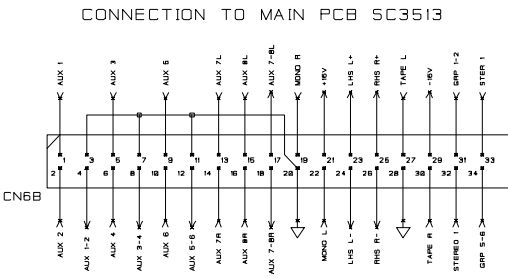
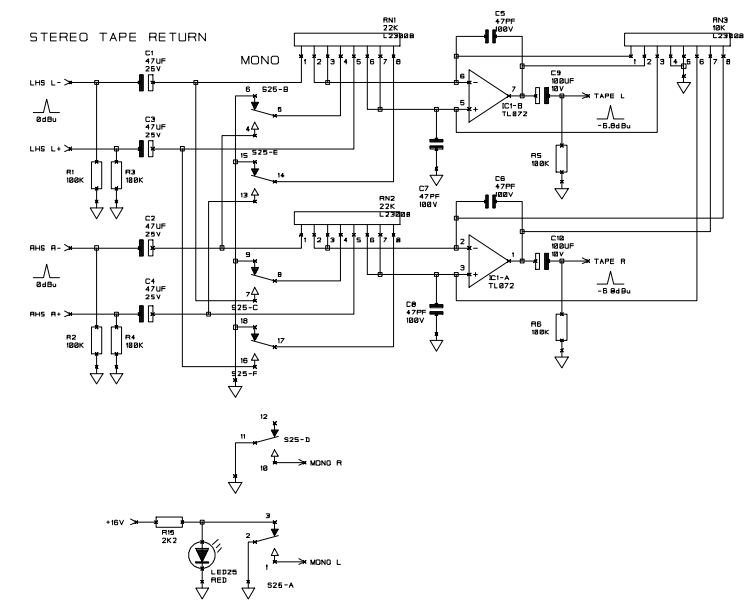


NOTES

DRN. CB/PH

TITLE B800  
STEREO INPUT MODULE  
SUB PCB

DRG NO. ED 3519C



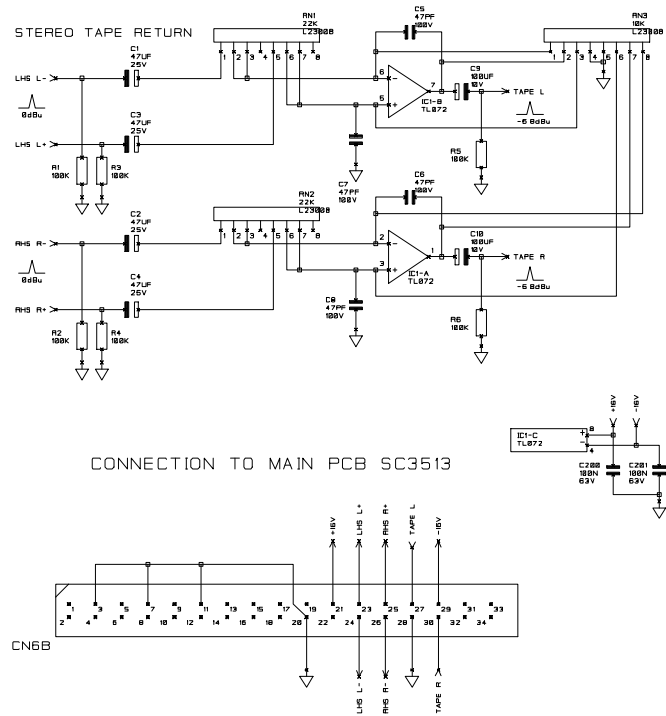
NOTES

DRN. CJH/VCR

TITLE  
B800 MONO GROUP  
OUTPUT SUB PCB

DRG NO  
ED3520A



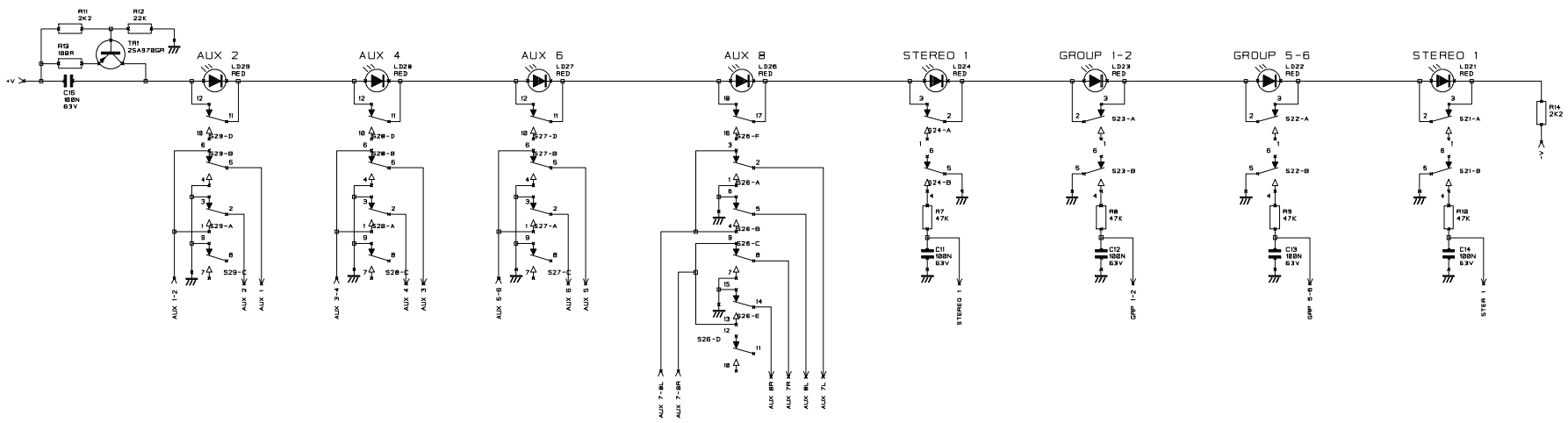
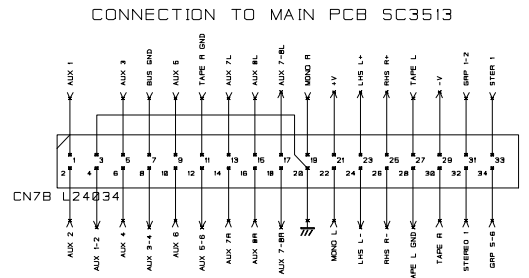
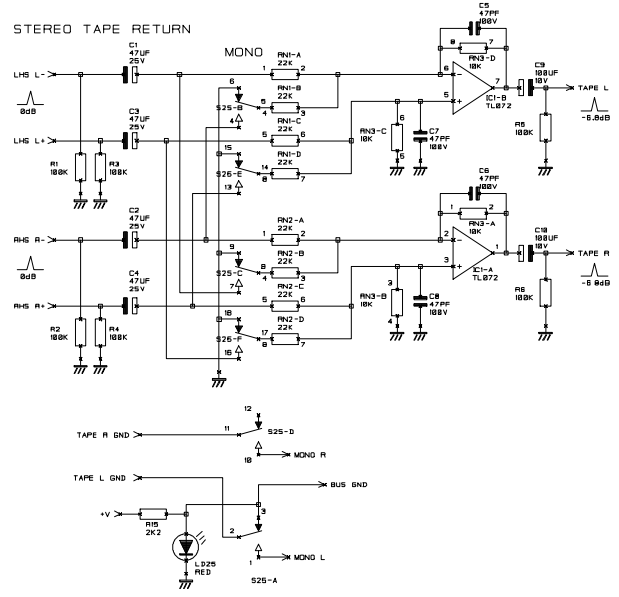


NOTES  
LINK SWITCH 27, 28, 29 PINS 7&8  
LINK SWITCH 26 PINS 4&5 AND 10&11

DRN.  
CJH/VCR

TITLE  
B400 MONO GROUP  
OUTPUT SUB PCB

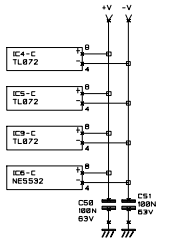
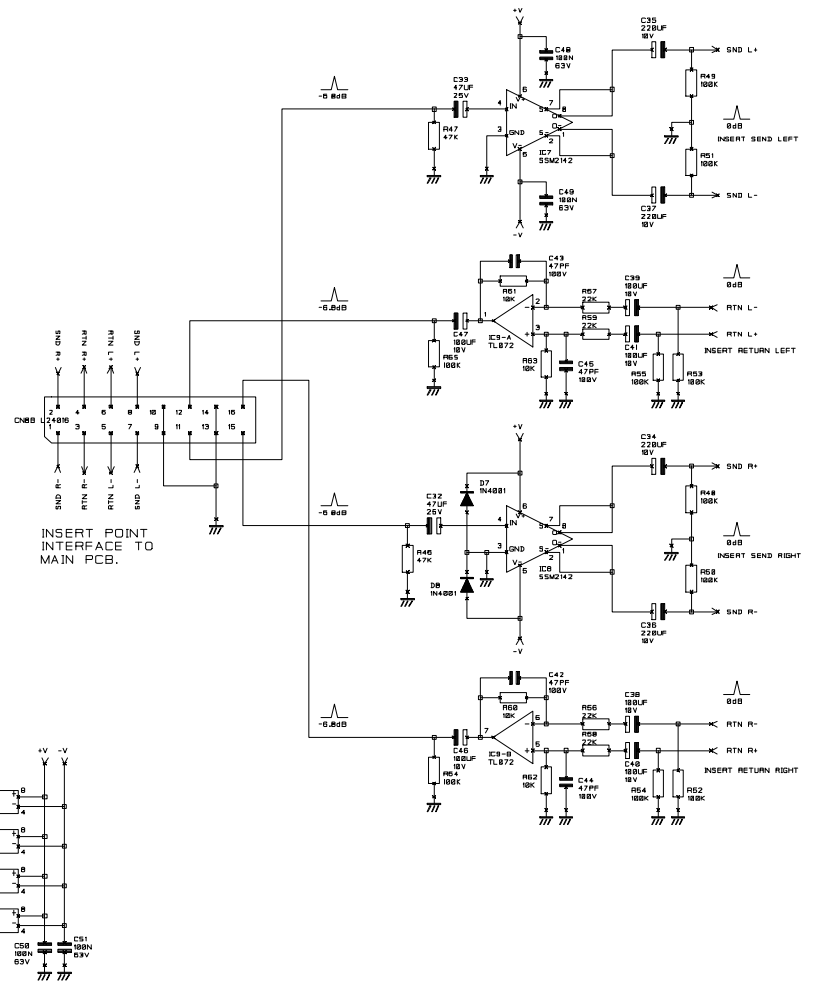
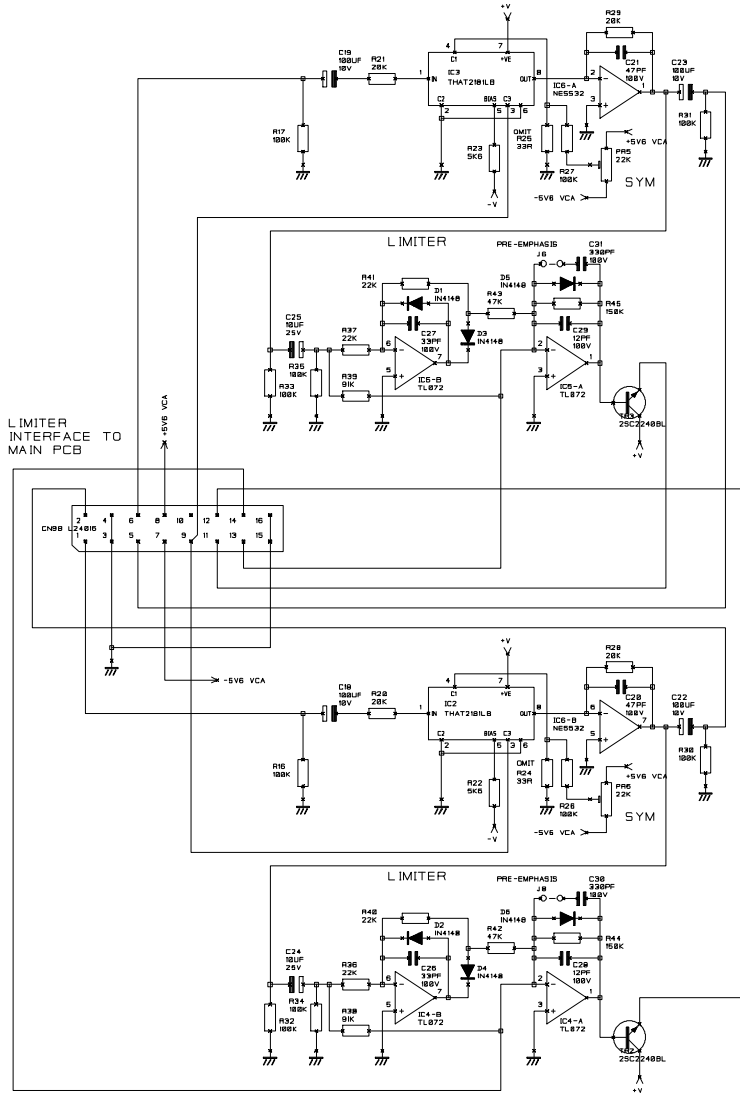
DRG NO.  
ED 3520B



NOTES  
 COMPONENTS USED  
 R1 - R15  
 C1 - C7  
 RN1 - RN3  
 LD21 - LD29  
 S21 - S29  
 IC1  
 TR1  
 CN8B

DRN. CJH

TITLE  
 B800 STEREO GROUP  
 OUTPUT SUB PCB  
 DRG NO  
 ED3521A



NOTES

|                      |                      |
|----------------------|----------------------|
| COMPONENTS USED      | LIMITER THRESHOLD    |
| R16 - R17, R28 - R85 | OPERATING LEVELS     |
| C18 - C51            | +6dB +4dB 0dB        |
| TR2 - TR9            | R38, R39 31K 68K 43K |
| IC2 - IC9            | R42, R43 47K 35K 22K |
| D1 - D8              |                      |
| PMS, PMS             |                      |
| J6, J8               |                      |
| CN8A, CN8B           |                      |

DRN. CJH

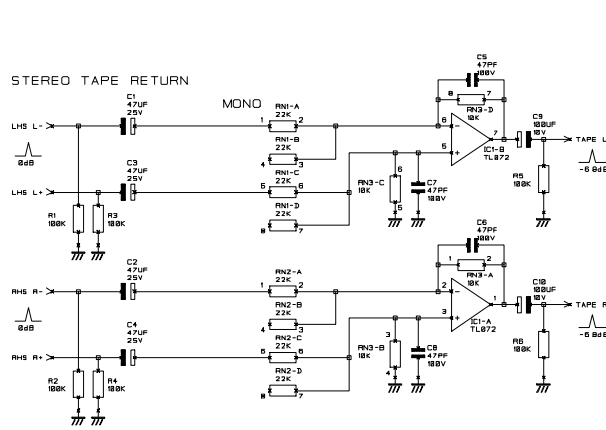
TITLE

B800 STEREO GROUP

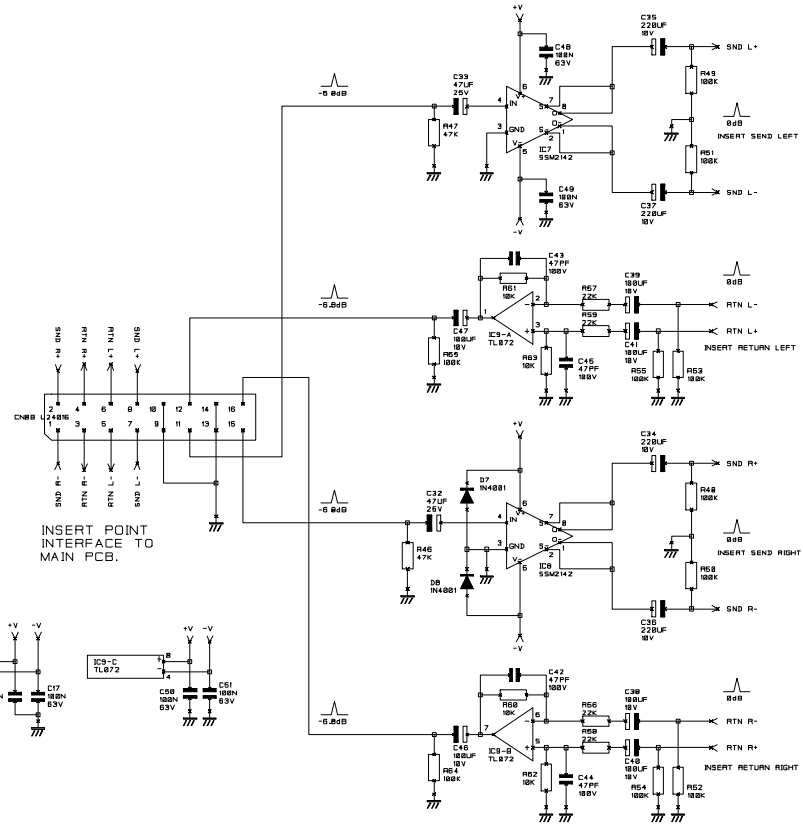
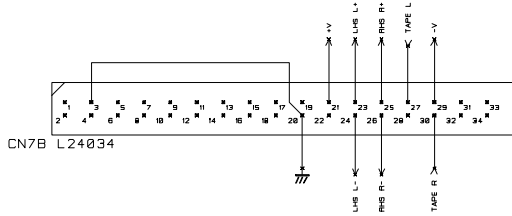
OUTPUT SUB PCB

DRG NO

ED3521B



CONNECTION TO MAIN PCB SC3513



NOTES

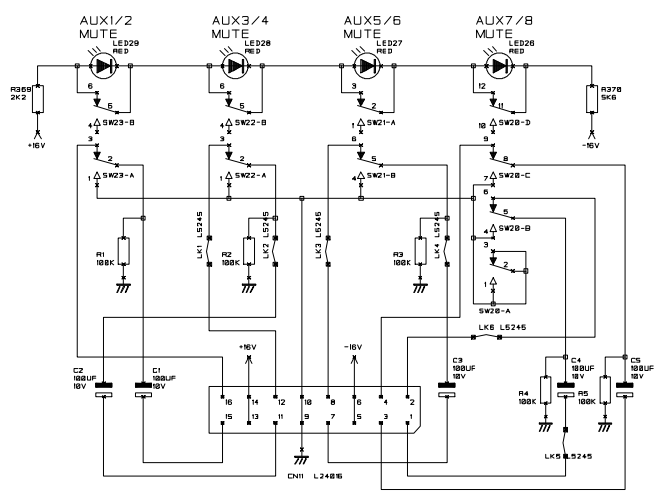
COMPONENTS USED  
 R1 - R6, R46 - R65  
 C1 - C9, C36, C37, C32 - C51  
 RN1 - RN3  
 IC1, IC7 - IC9  
 CN8B, CN8D

LINK SWITCH 27, 28, 29 PINS 1&2  
 LINK SWITCH 26 PINS 4&5 AND 13&14

DRN. CJH

TITLE  
 B400 STEREO GROUP  
 OUTPUT SUB PCB

DRG NO.  
 ED 3521C



NOTES

COMPONENTS USED: R369, R376  
 LED29 - LED28  
 SW28 - SW23  
 CN1  
 LK1 - LK6  
 R1 - R5  
 C1 - C5

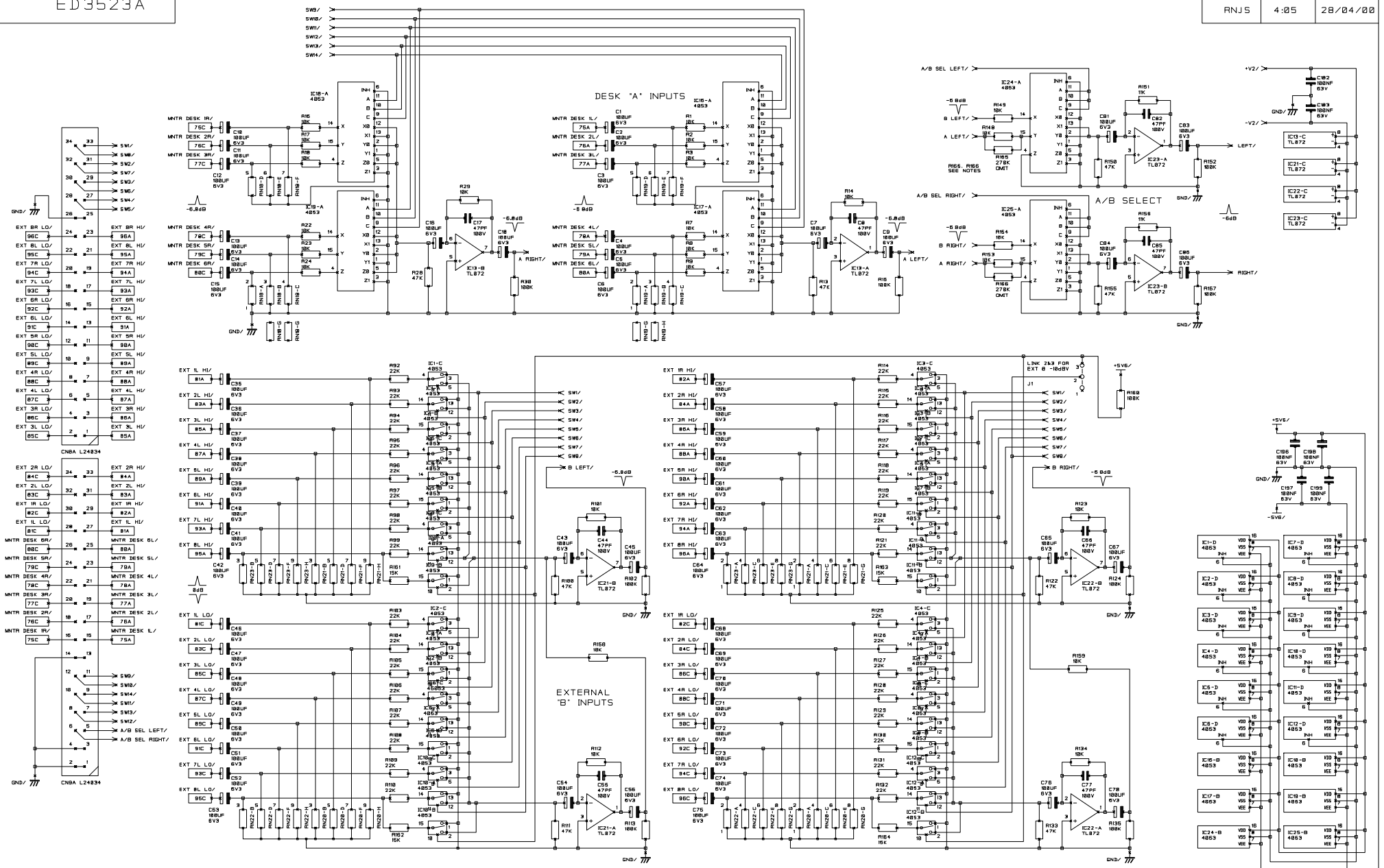
THIS SUB BOARD IS USED WITH 8808 STEREO MASTER PCB SC3516 ISSUE 4

DRN. CJH

TITLE  
 SOUNDCRAFT 8800  
 STEREO MASTER  
 SUB BOARD

DRG NO. ED3522

| INITIAL | ISSUE | DATE     |
|---------|-------|----------|
| RNJS    | 4:05  | 28/04/00 |

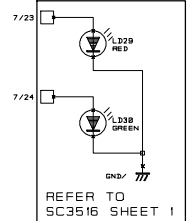
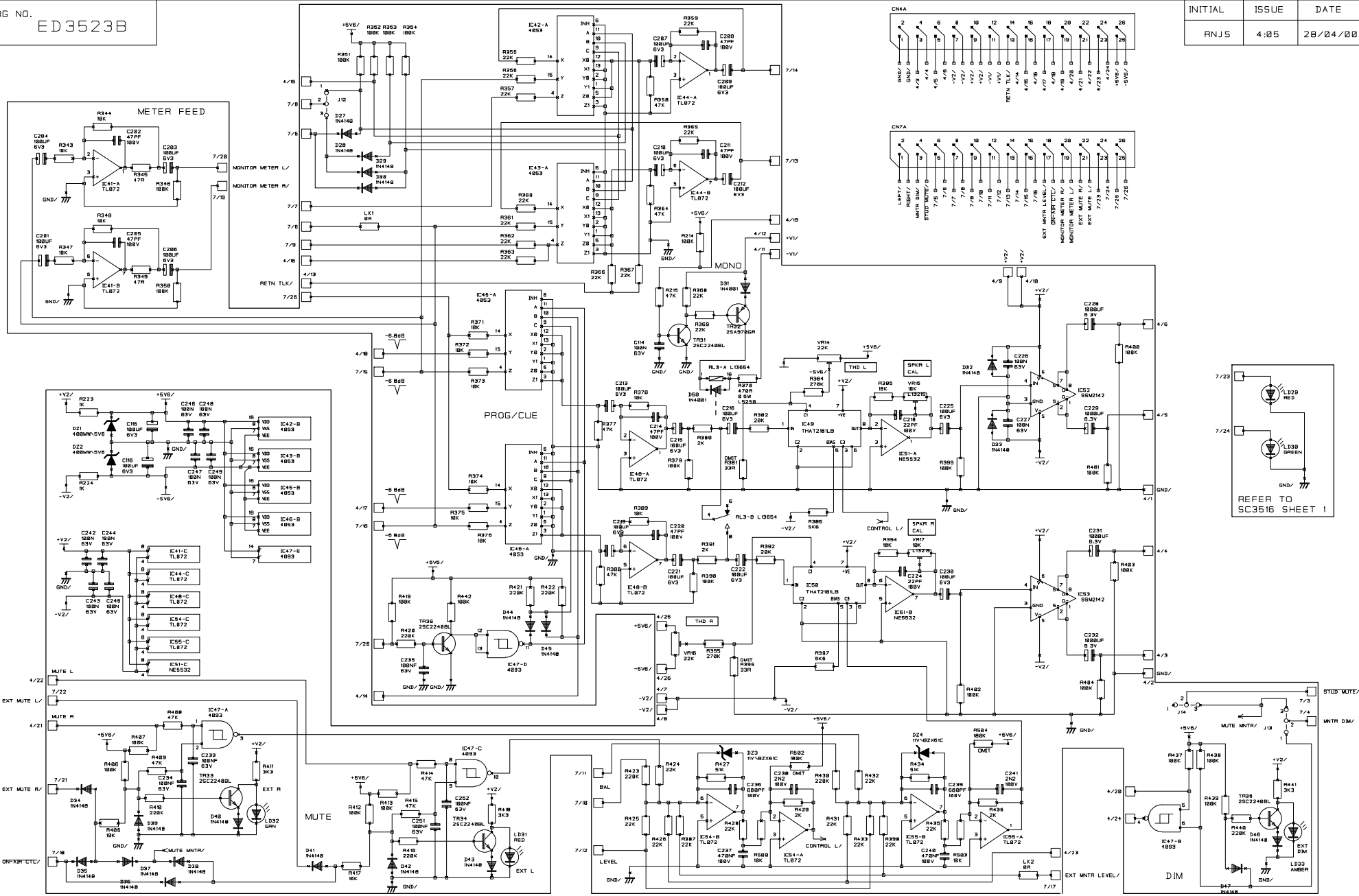


NOTES  
R155, R166 ONLY FITTED WHEN STEREO MASTERS AND GROUPS HAVE OUTPUT TRANSFORMERS FITTED

DRN. CB/VCR

TITLE  
B800 MONITOR  
MODULE SUB PCB

| INITIAL | ISSUE | DATE     |
|---------|-------|----------|
| RNJS    | 4:05  | 28/04/00 |

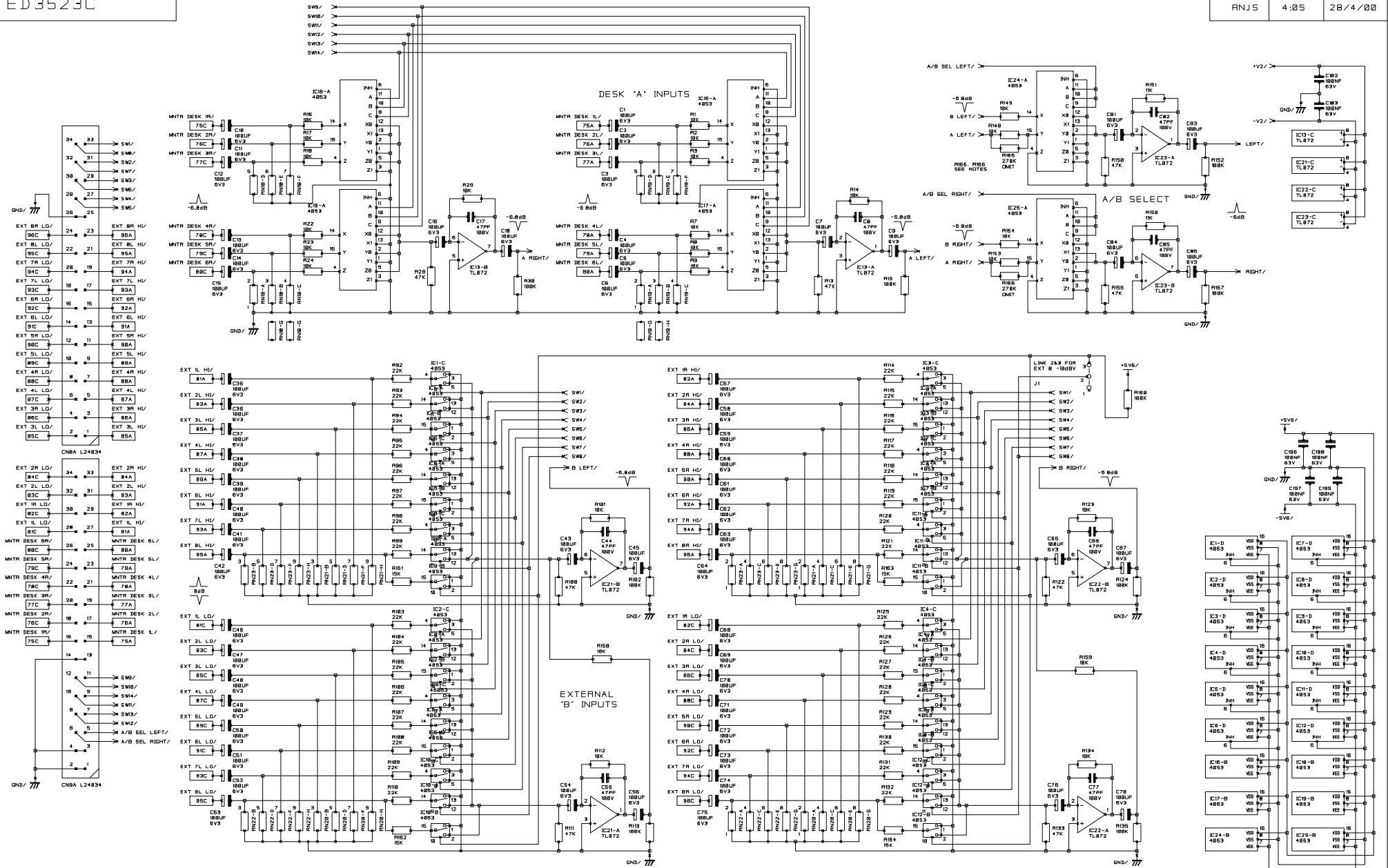


NOTES  
 FIT R562,R564 = 180K ONLY WHEN STEREO MASTER HAVE TRANSFORMERS  
 REFER TO SC3516 SHEET 2  
 OMIT D35 AND D37 EXCEPT FOR USE AS STUDIO MONITOR

DRN. CB/VCR

TITLE  
 BB00 MONITOR  
 MODULE SUB PCB

DRG NO. ED3523B



NOTES

R155, R156 ONLY FITTED WHEN STEREO MASTERS AND GROUPS HAVE OUTPUT TRANSFORMERS FITTED

DRN.

CB/VCR

TITLE

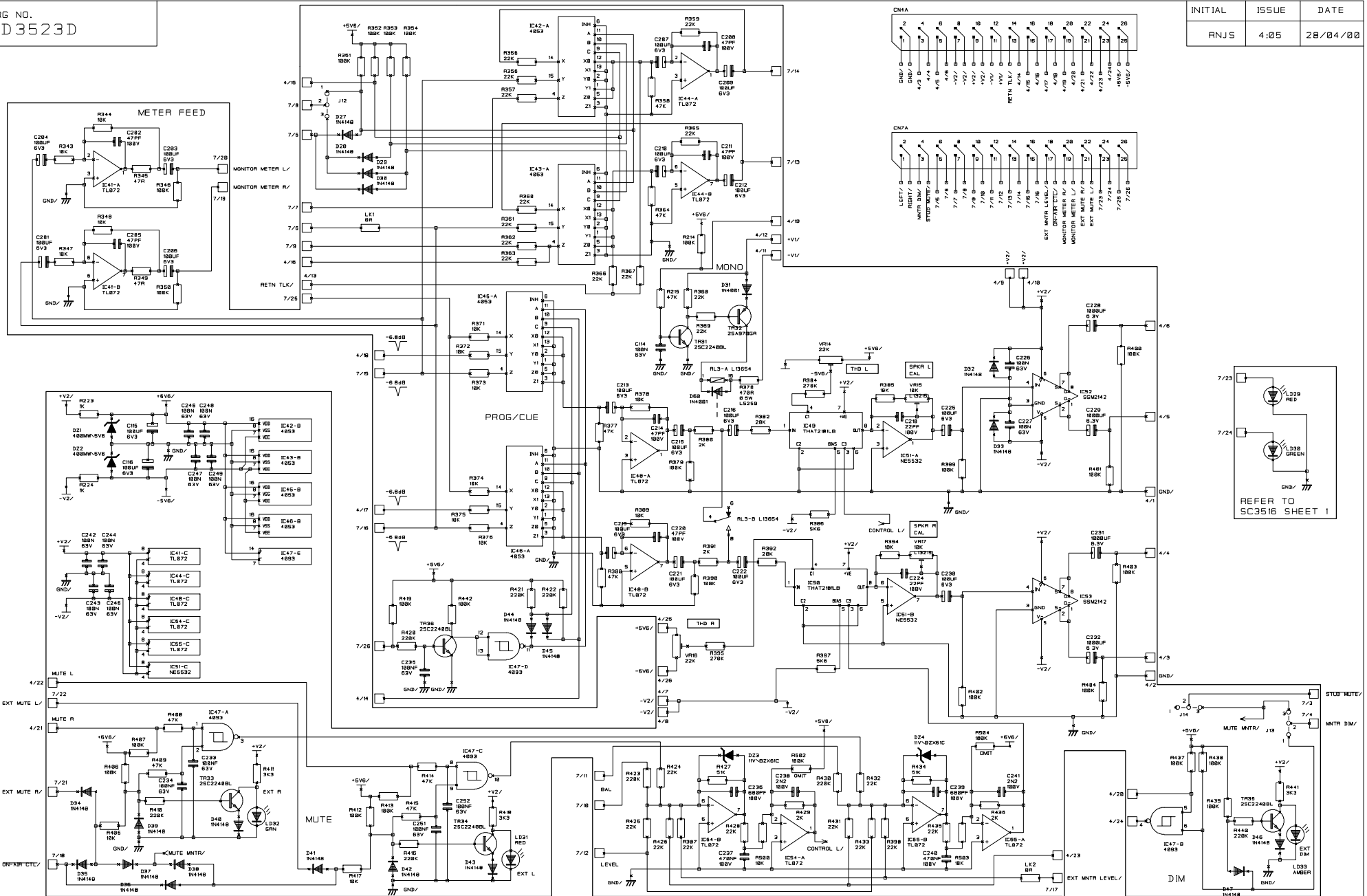
B400 MONITOR  
MODULE SUB PCB

DRG NO

ED 3523C



| INITIAL | ISSUE | DATE     |
|---------|-------|----------|
| RNJS    | 4:05  | 28/04/00 |



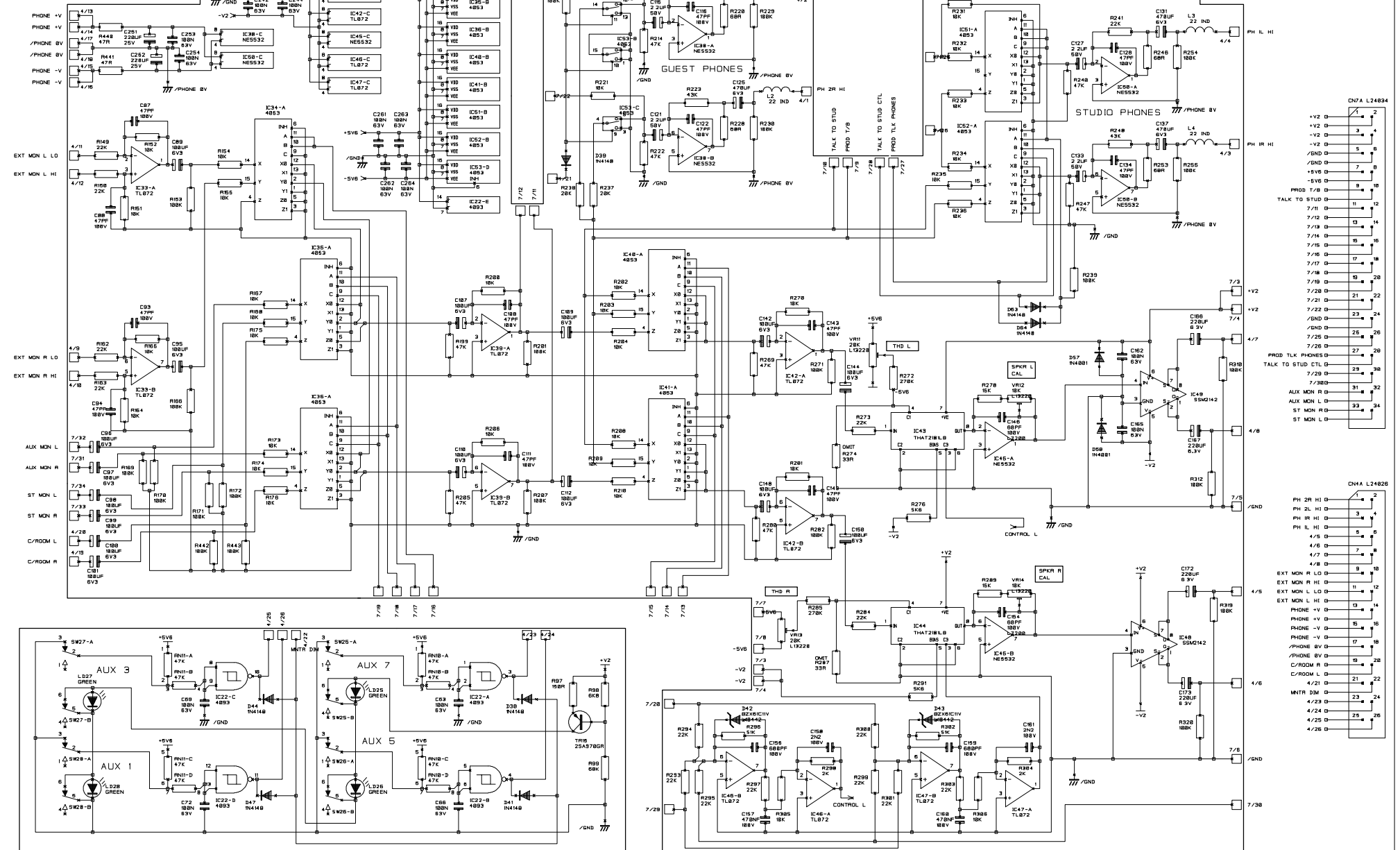
NOTES  
 FIT R582,R584 = 180K ONLY WHEN STEREO MASTER HAVE TRANSFORMERS  
 REFER TO SC3516 SHEET 2  
 OMIT D35 AND D37 EXCEPT FOR USE AS STUDIO MONITOR

DRN. CB/VCR

TITLE  
 B400 MONITOR  
 MODULE SUB PCB  
 DRG NO  
 ED 3523D

DRG NO. ED 3524A

| INITIAL | ISSUE | DATE     |
|---------|-------|----------|
| RNJS    | 4-05  | 02/05/00 |



NOTES

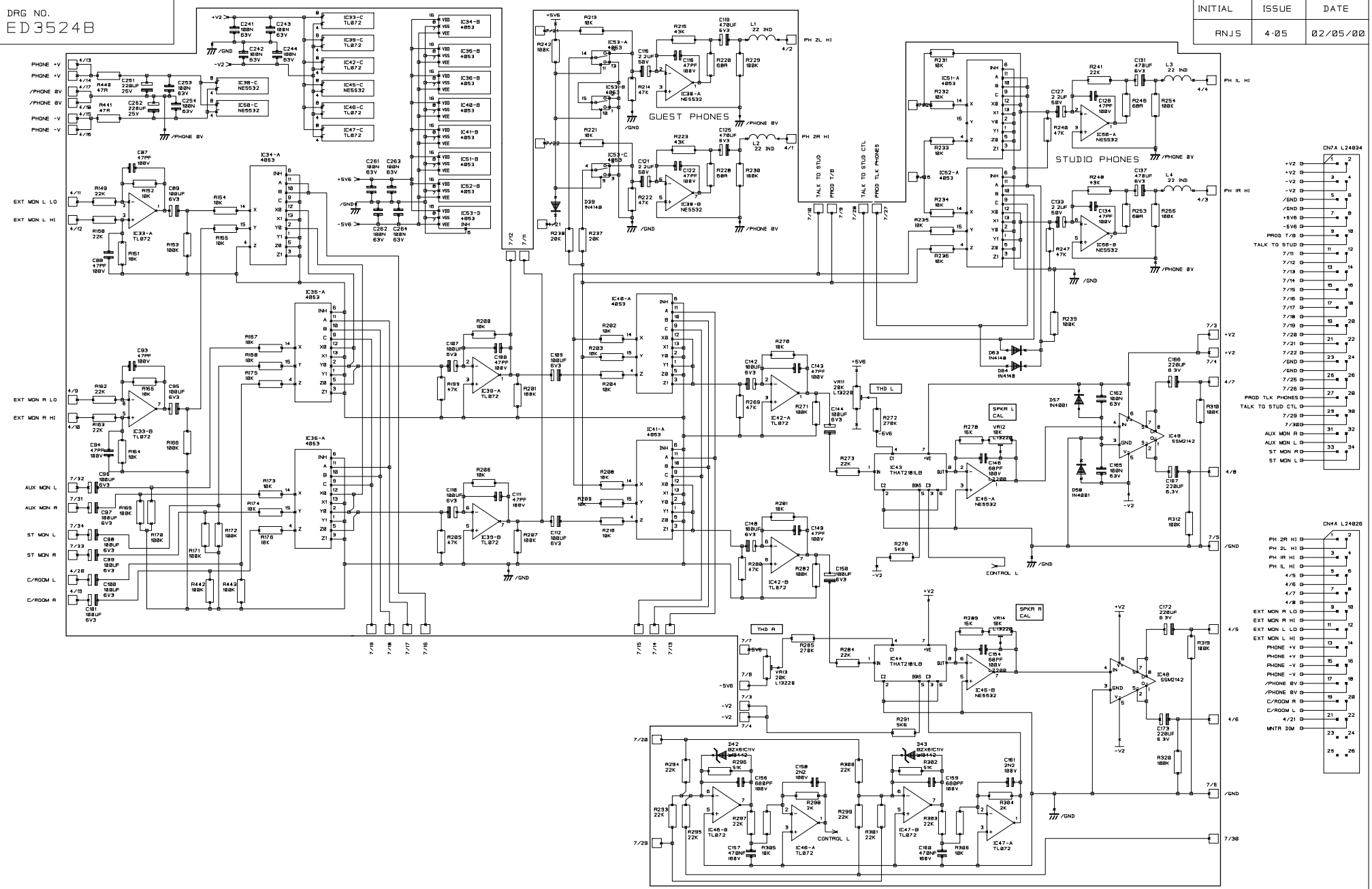
DRN. CB

TITLE B800  
COMMS MODULE  
SUB BOARD

DRG NO. ED 3524A

DRG NO.  
ED 3524B

| INITIAL | ISSUE | DATE     |
|---------|-------|----------|
| RNJS    | 4-05  | 02/05/00 |



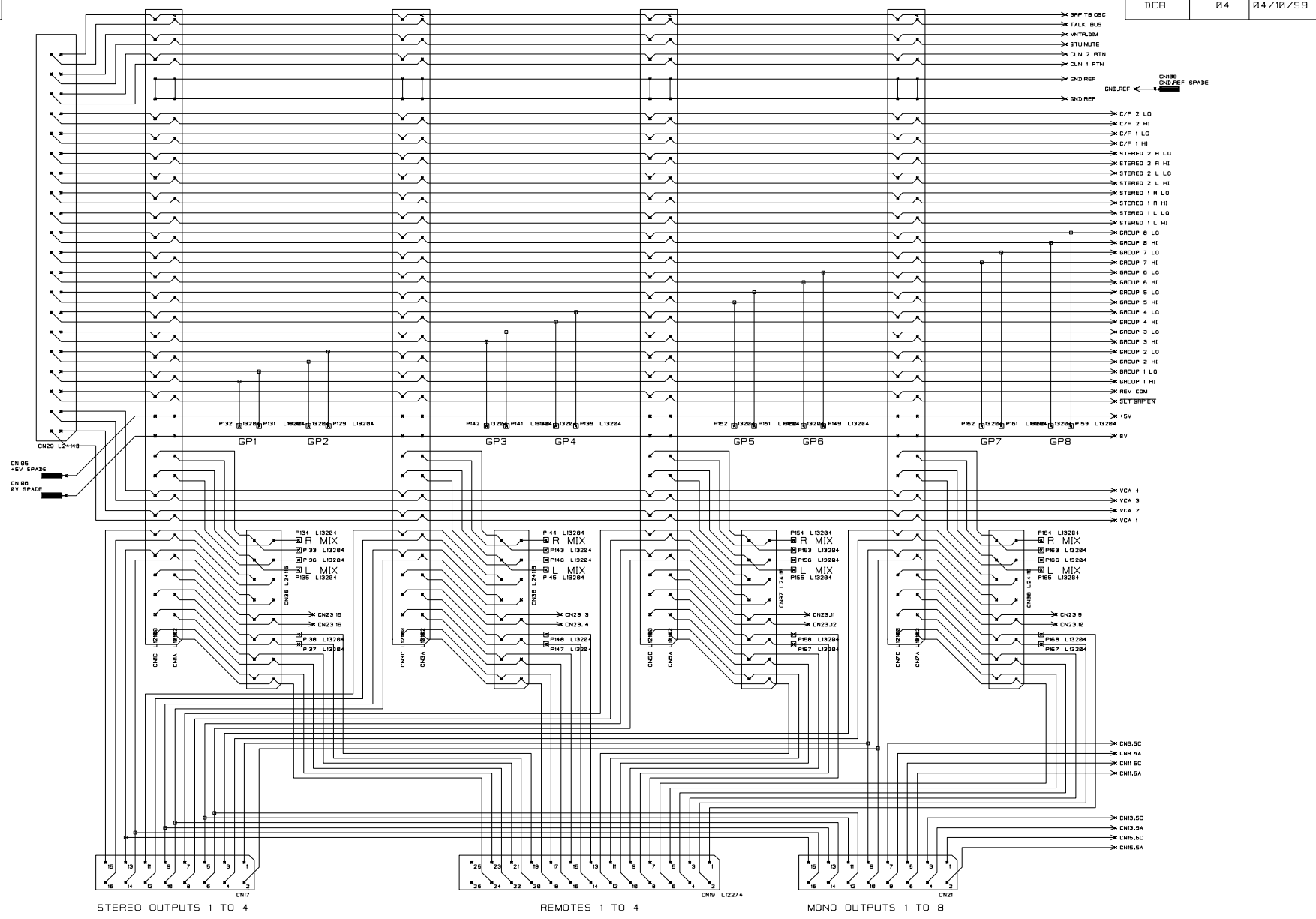
NOTES

DRN. CB

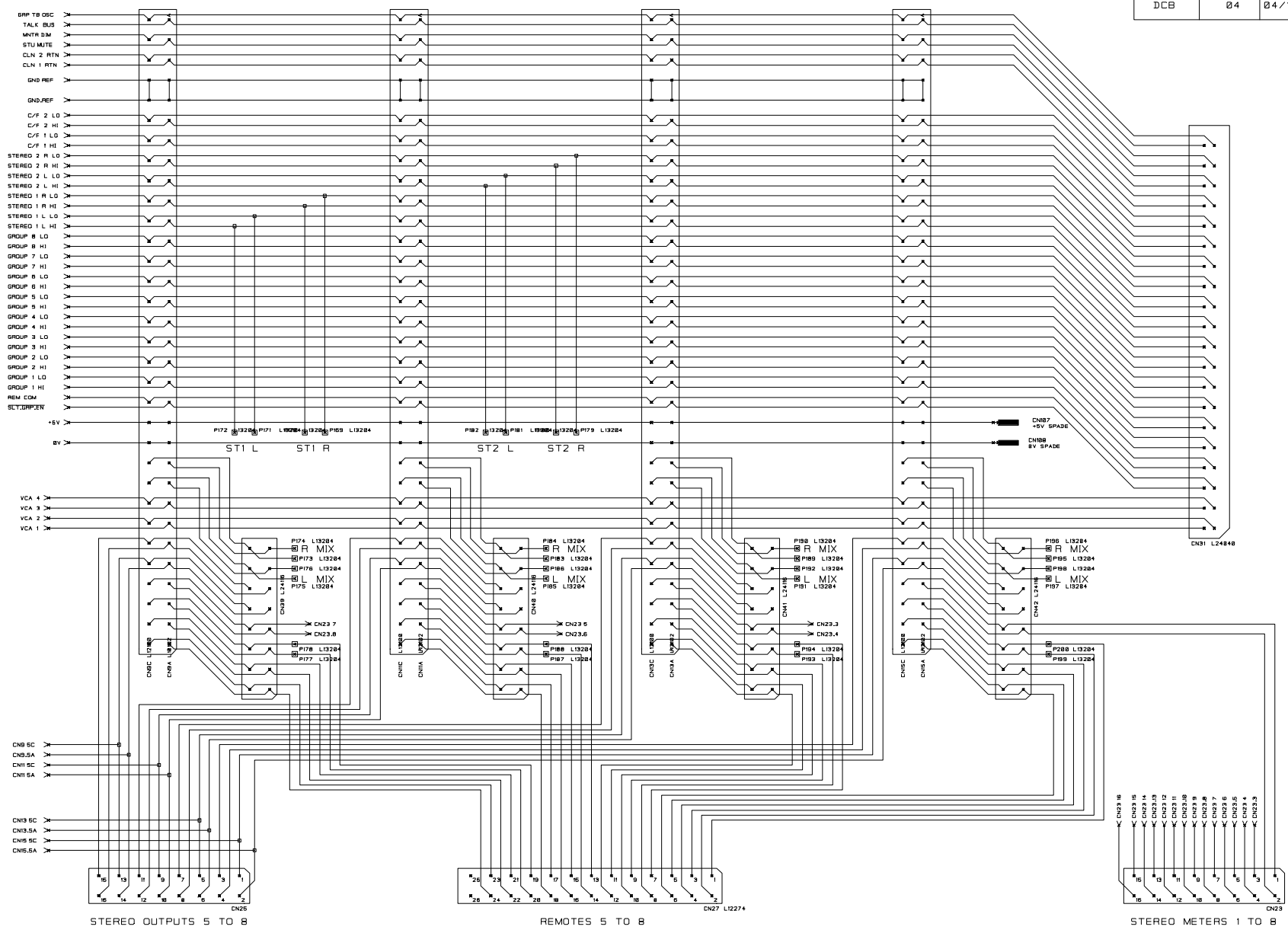
TITLE B400  
COMMS MODULE  
SUB BOARD

DRG NO  
ED 3524B

| INITIAL | ISSUE | DATE     |
|---------|-------|----------|
| DCB     | 04    | 04/10/99 |



|       |      |        |                        |
|-------|------|--------|------------------------|
| NOTES | DRN. | C.J.H. | TITLE                  |
|       |      |        | B800 8 WAY MOTHERBOARD |
|       |      |        | DRG NO. ED3555A        |

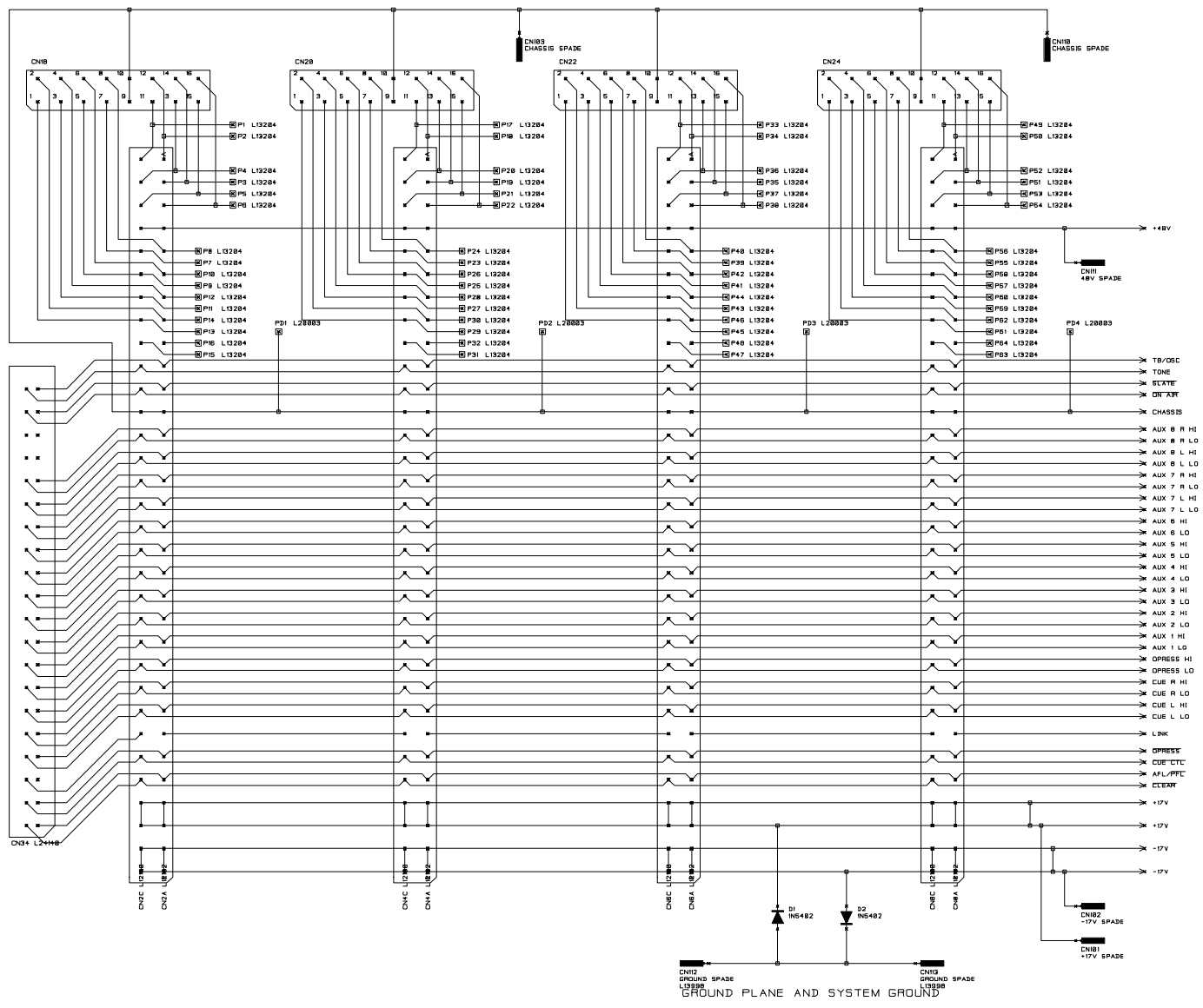


NOTES

DRN. CJH

TITLE  
B800 8 WAY  
MOTHERBOARD

DRG NO. ED3555B

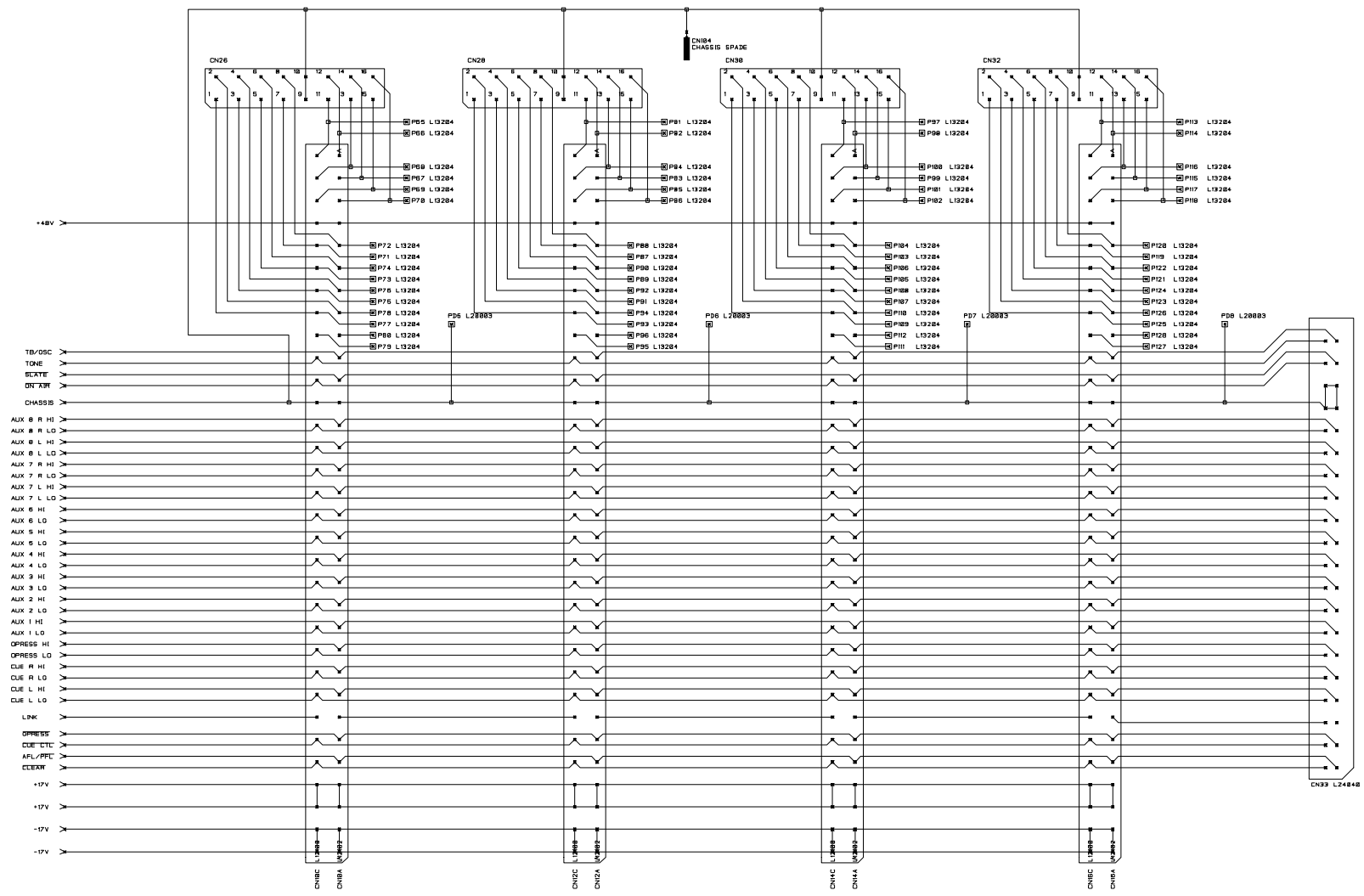


NOTES

DRN. C.J.H.

TITLE  
B800 8 WAY  
MOTHERBOARD

DRG NO. ED3555C

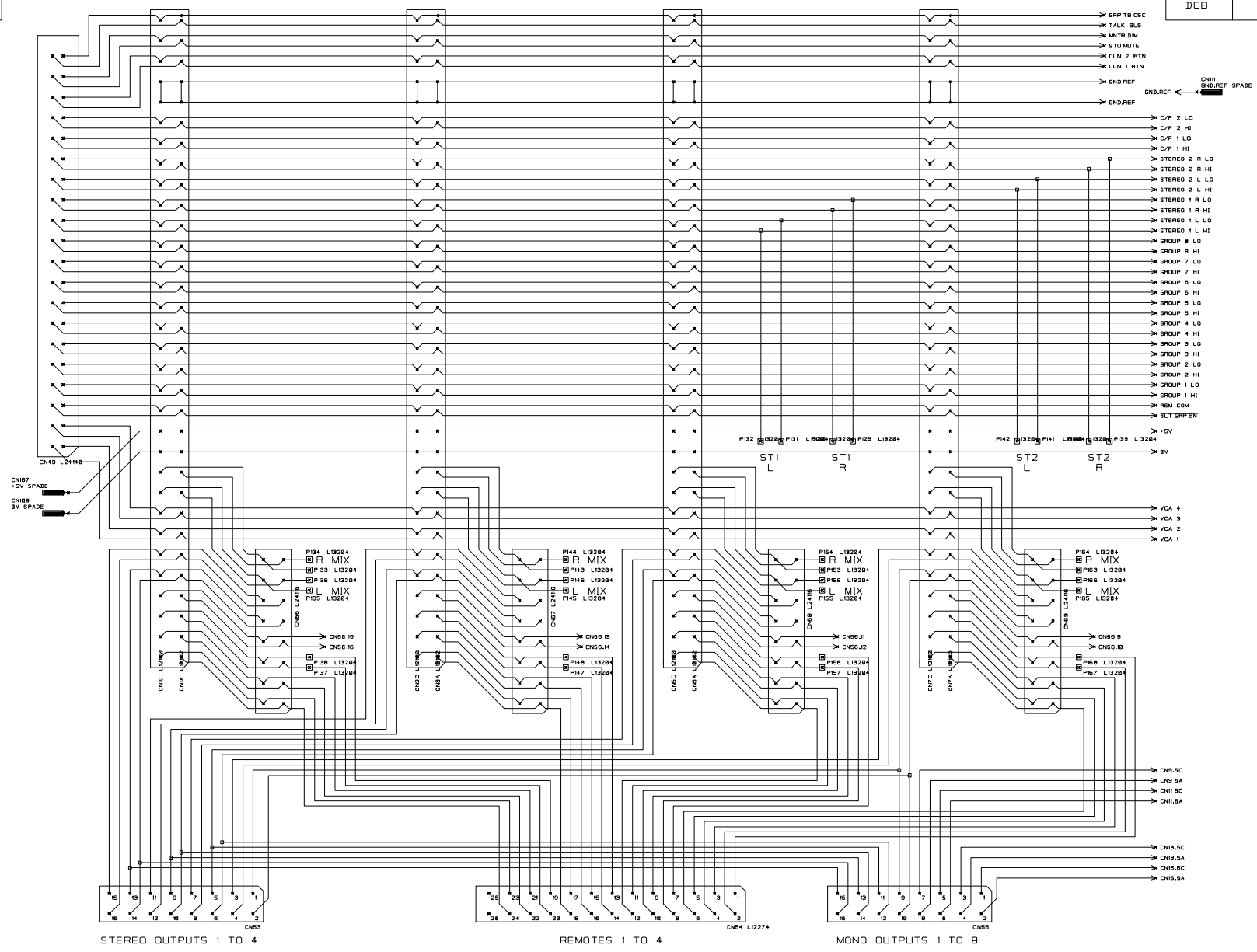


NOTES

DRN. C.J.H.

TITLE  
B800 8 WAY  
MOTHERBOARD

DRG NO. ED3555D



NOTES

DRN. CJH

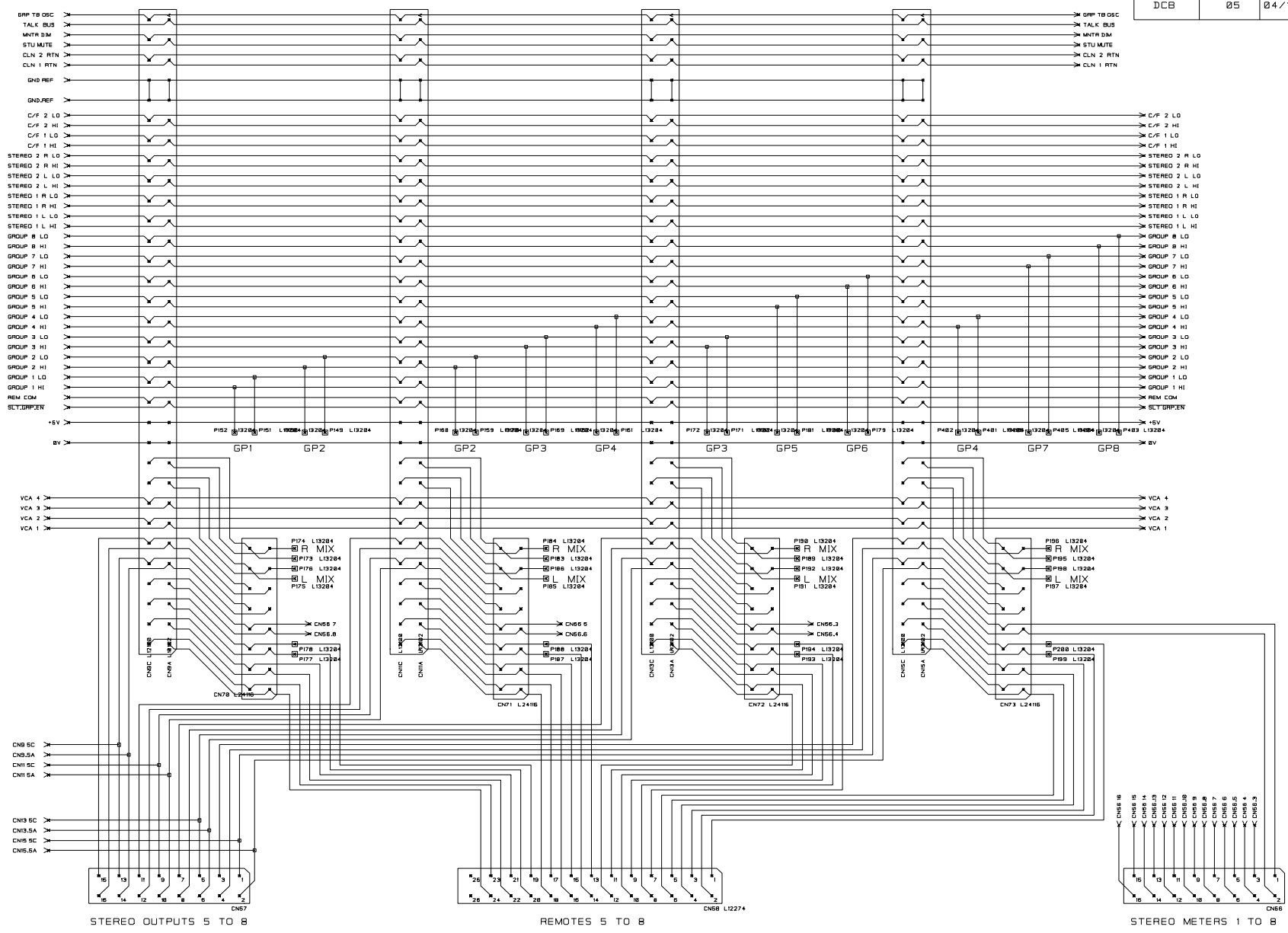
TITLE  
B800 16 WAY  
MOTHERBOARD

DRG NO. ED3556A



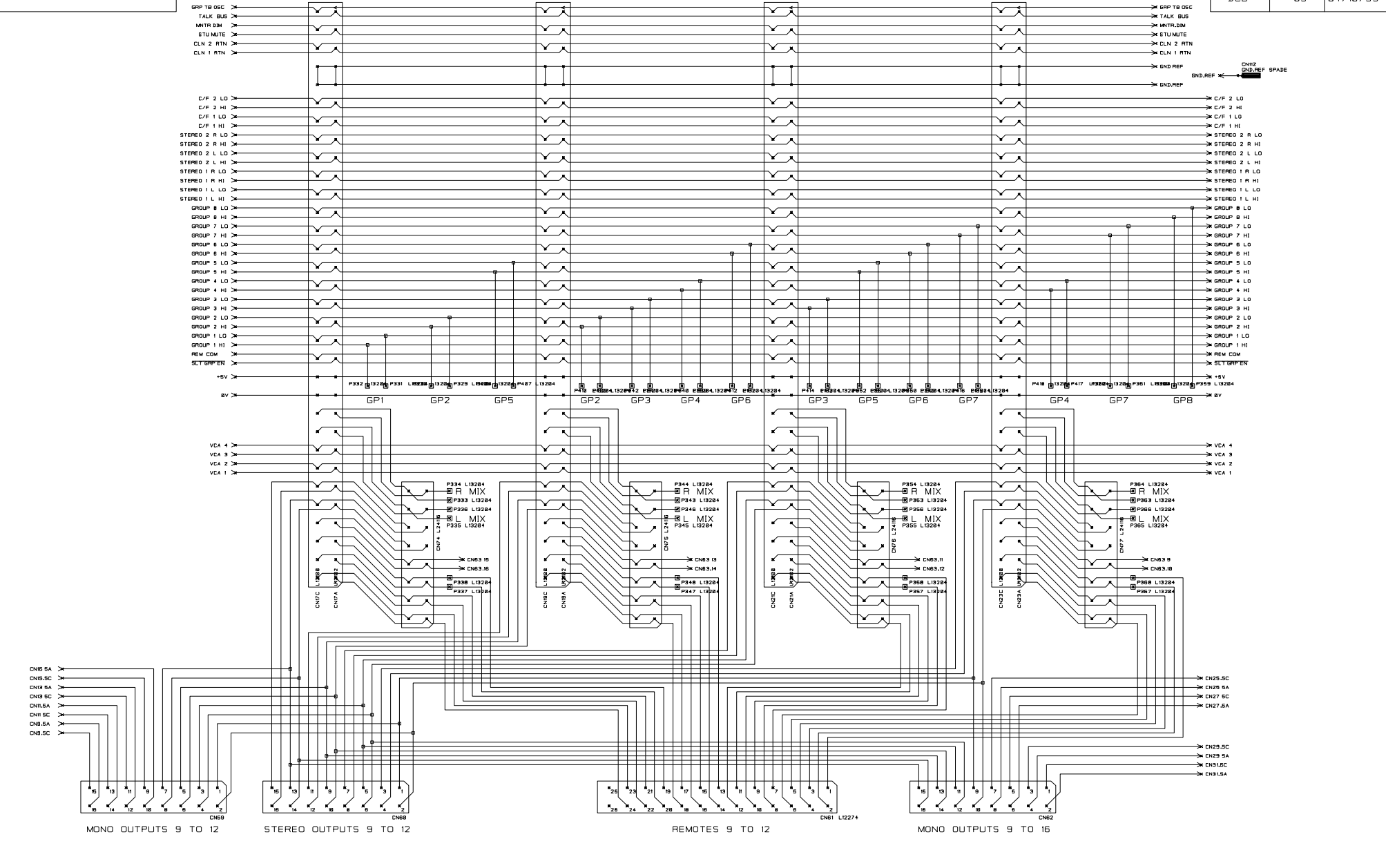
DRG NO. ED3556B

| INITIAL | ISSUE | DATE     |
|---------|-------|----------|
| DCB     | 05    | 04/10/99 |



|       |          |                                  |
|-------|----------|----------------------------------|
| NOTES | DRN. CJH | TITLE<br>B800 16 WAY MOTHERBOARD |
|       |          | DRG NO. ED3556B                  |

|         |       |          |
|---------|-------|----------|
| INITIAL | ISSUE | DATE     |
| DCB     | 05    | 04/10/99 |

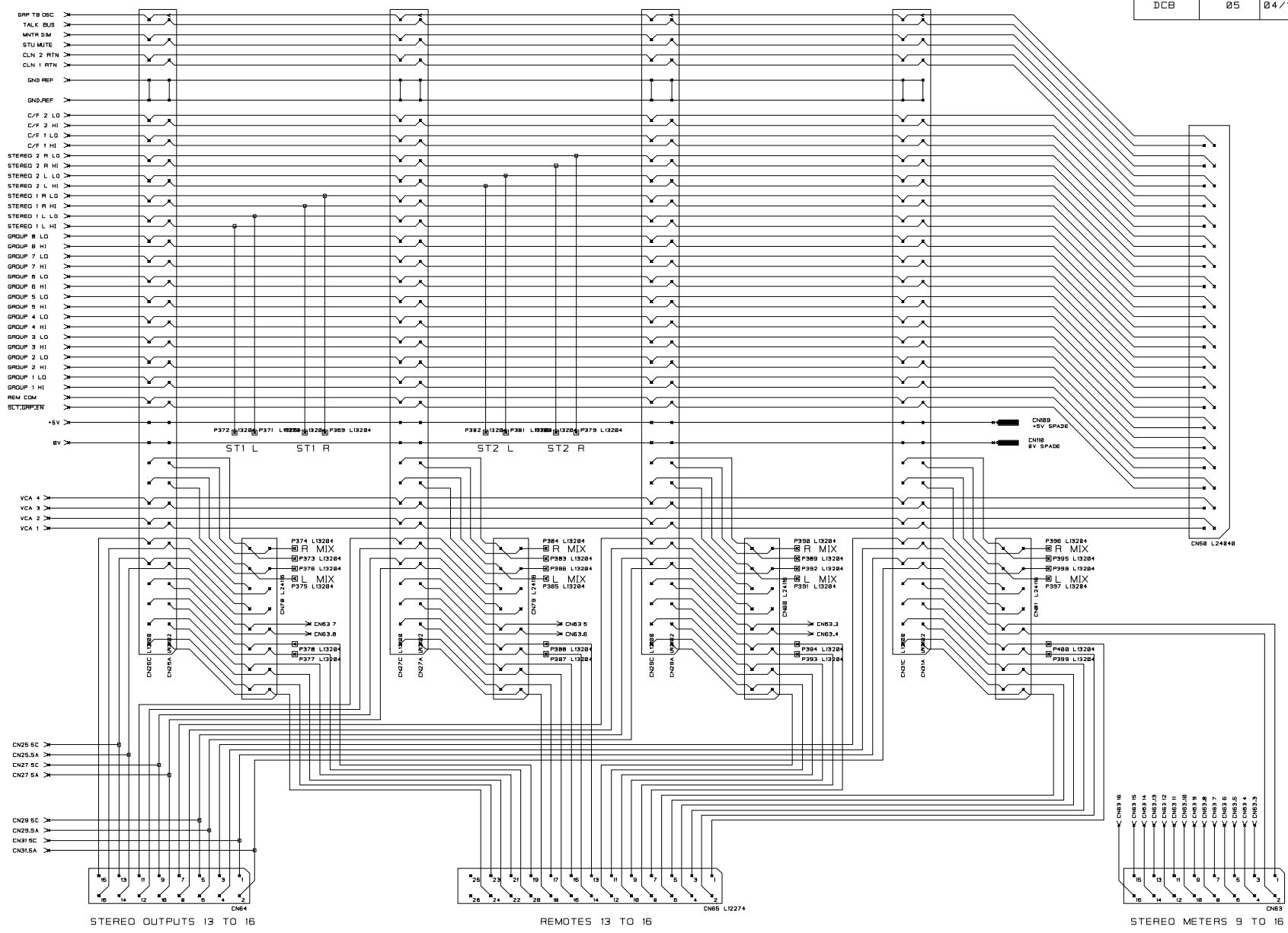


NOTES

DRN.  
CJH

TITLE  
B800 16 WAY  
MOTHERBOARD

DRG NO  
ED3556C



NOTES

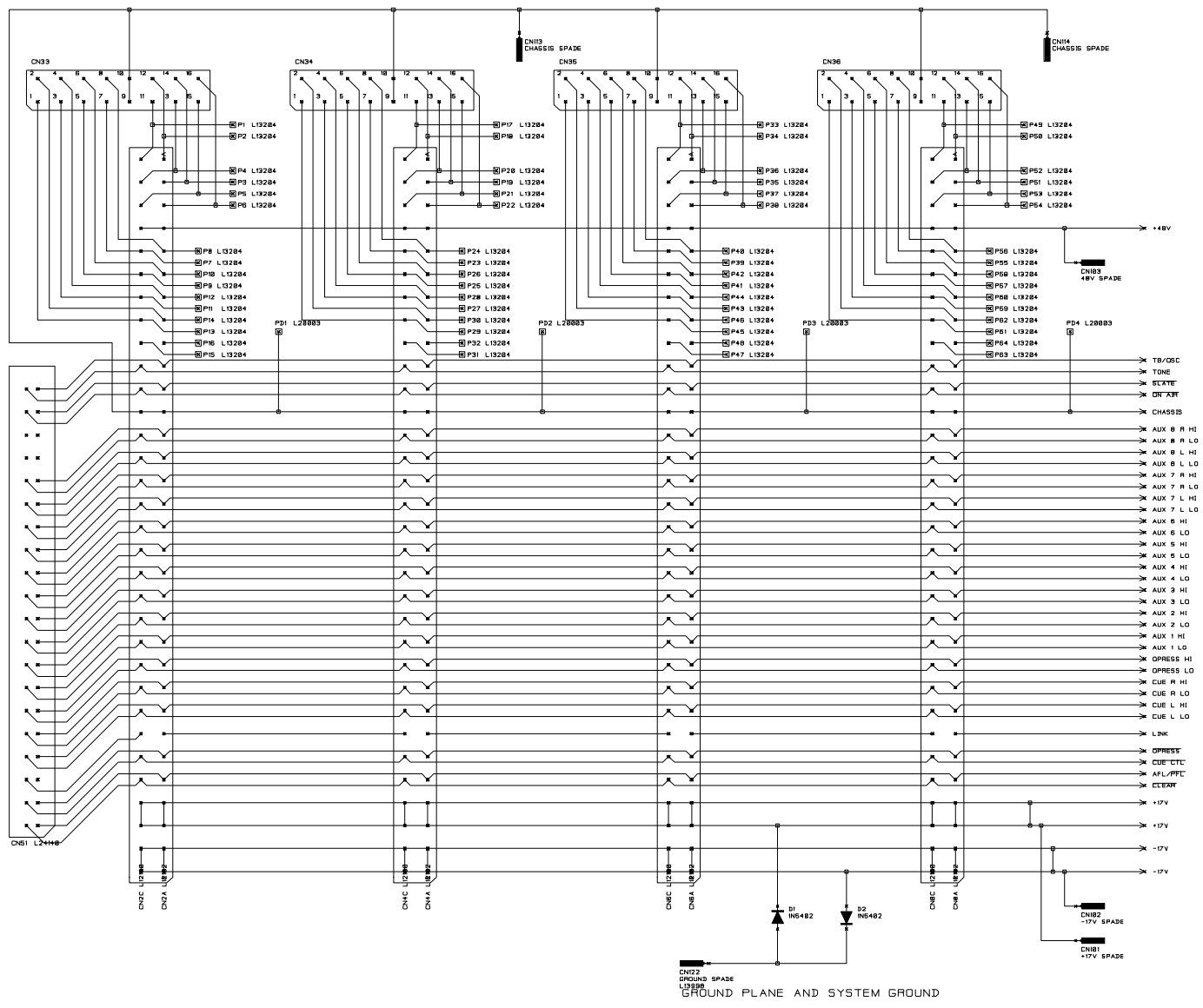
DRN. CJH

TITLE  
B800 16 WAY  
MOTHERBOARD

DRG NO. ED3556D

DRG NO. ED3556E

| INITIAL | ISSUE | DATE     |
|---------|-------|----------|
| DCB     | 05    | 04/10/99 |

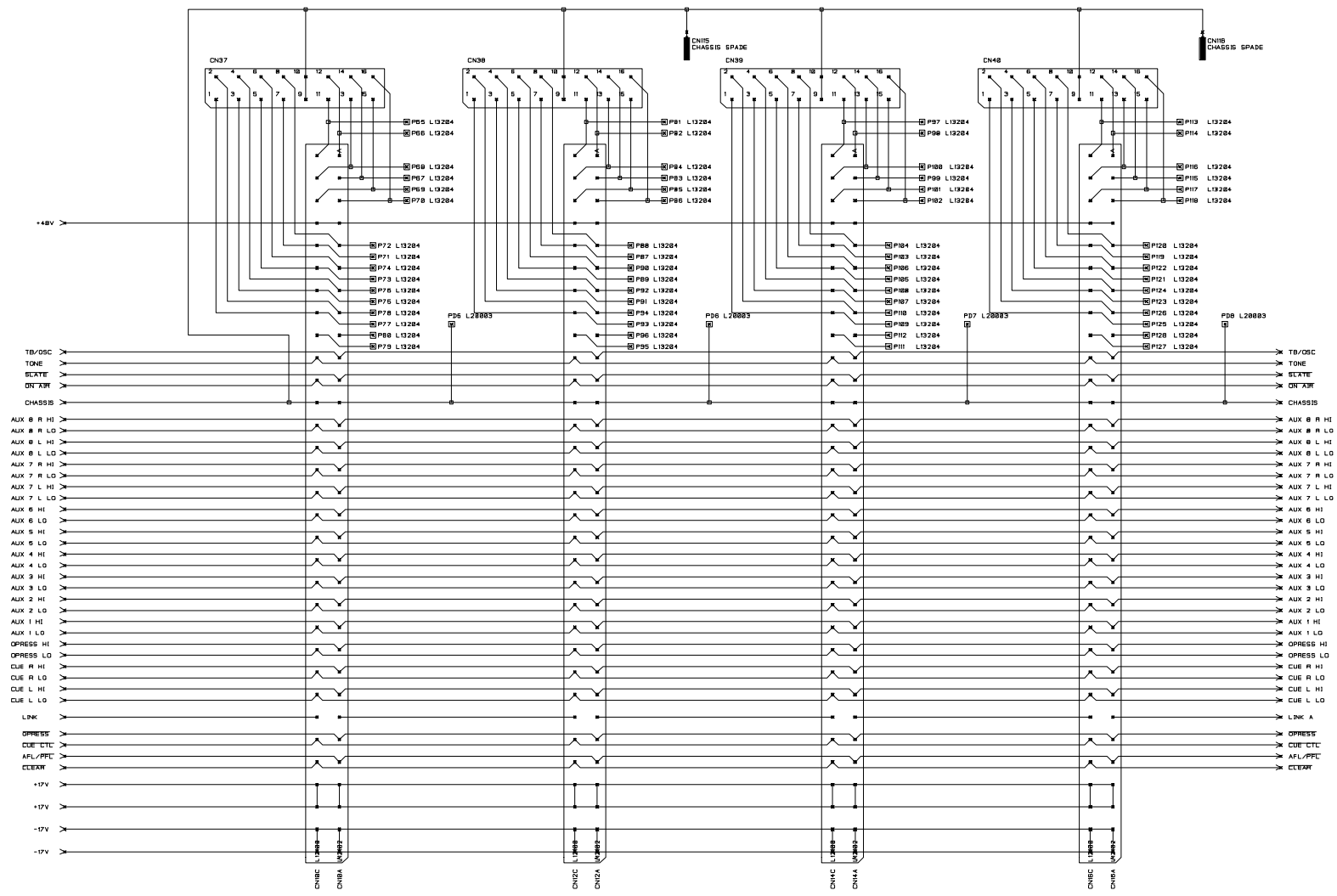


NOTES

DRN. C.J.H.

TITLE  
B800 16 WAY  
MOTHERBOARD

DRG NO. ED3556E

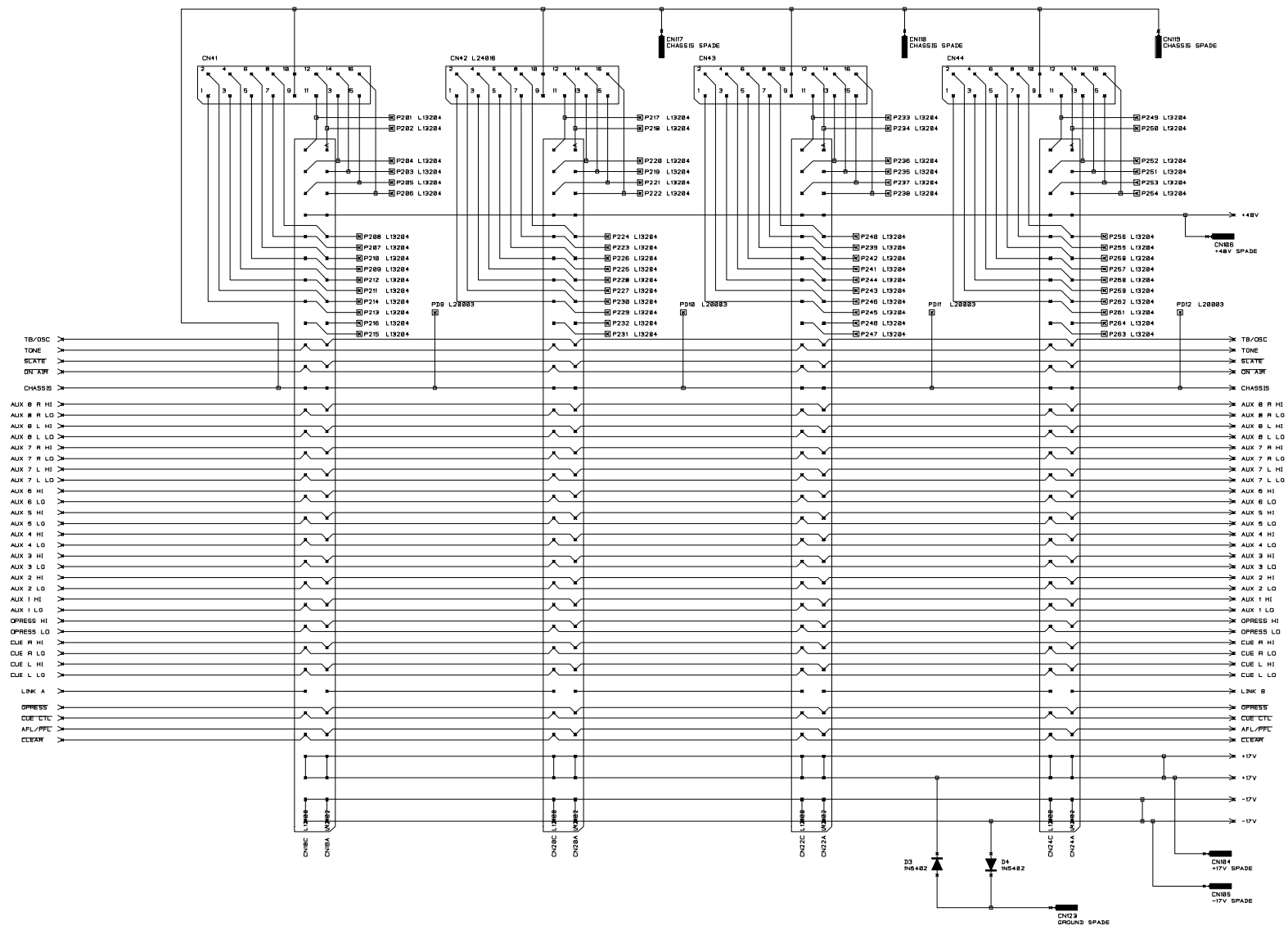


NOTES

DRN. C.J.H.

TITLE  
B800 16 WAY  
MOTHERBOARD

DRG NO. ED3556F

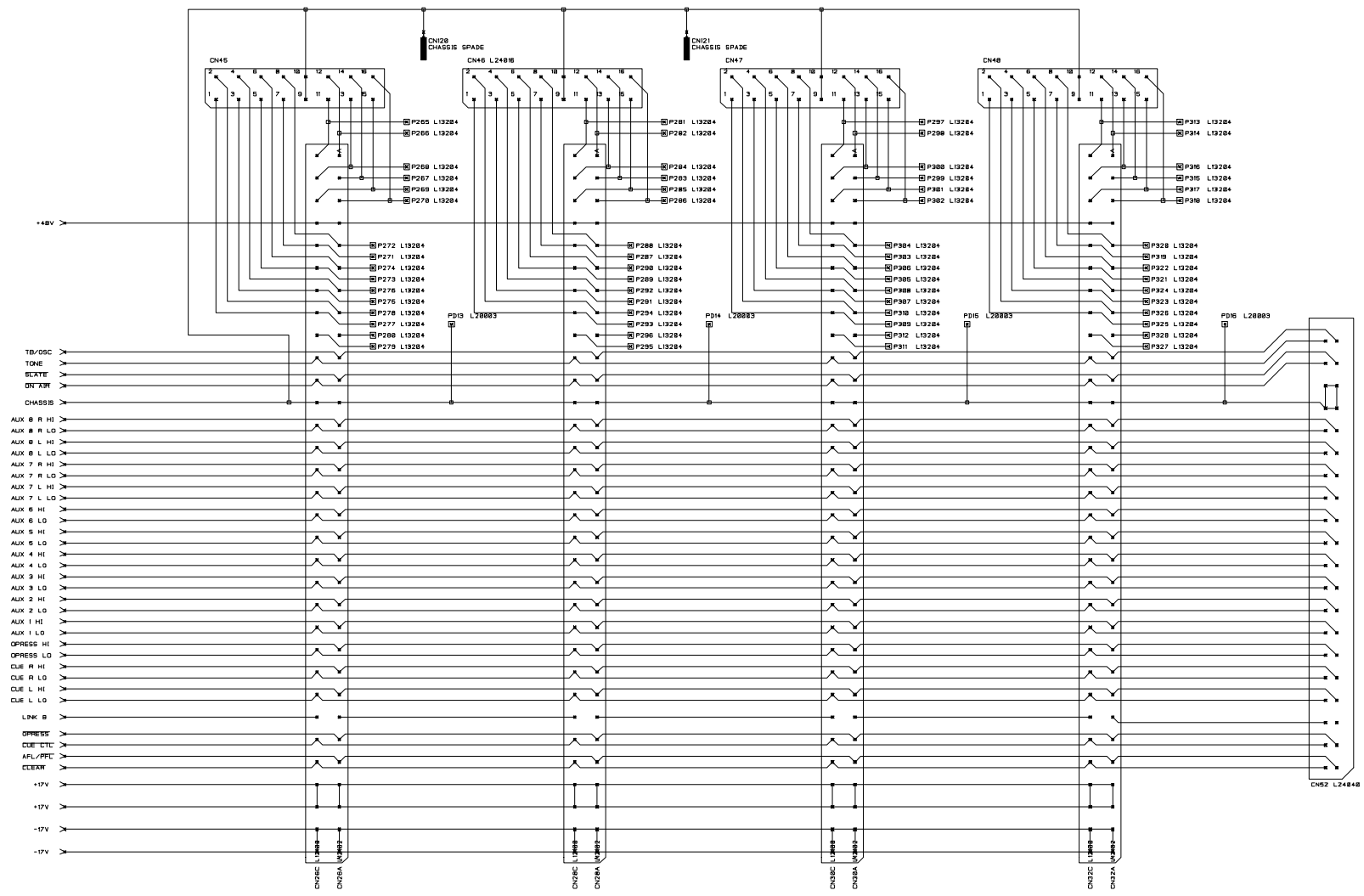


NOTES

DRN. C.J.H.

TITLE  
B800 16 WAY  
MOTHERBOARD

DRG NO. ED3556G

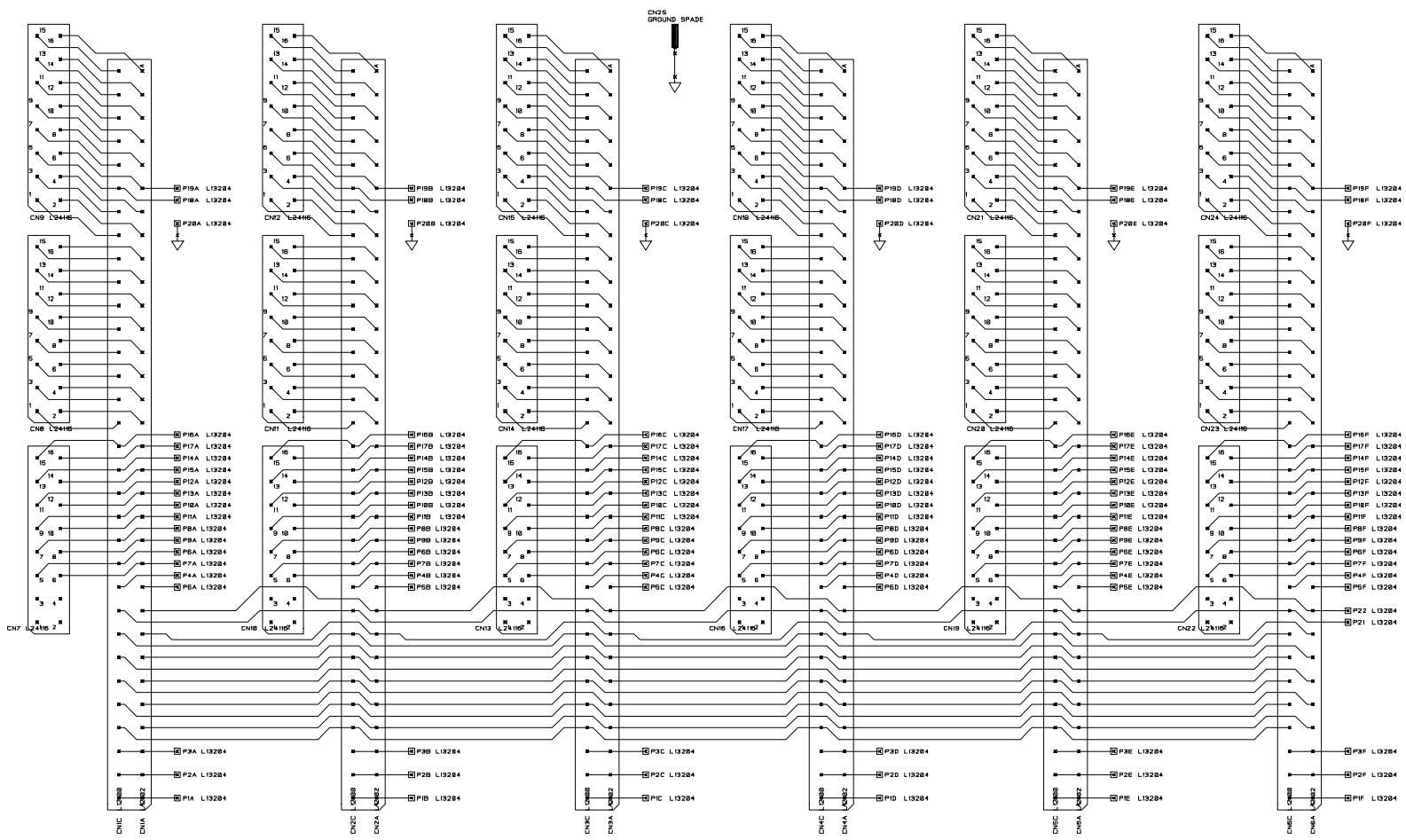


NOTES

DRN. C.J.H.

TITLE  
B800 16 WAY  
MOTHERBOARD

DRG NO.  
ED3556H



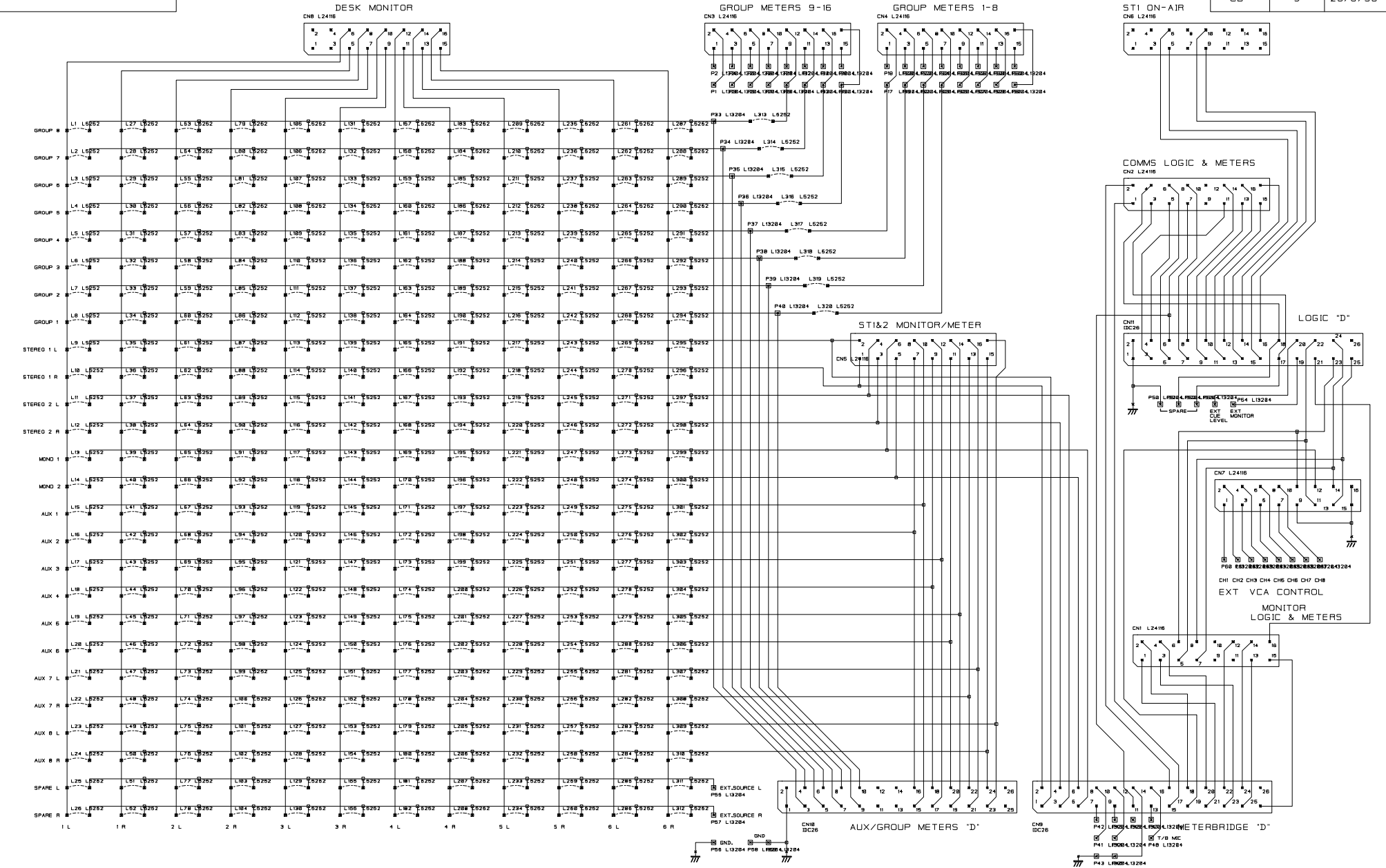
NOTES

DRN. CJH

TITLE  
BB00 6 WAY MASTER  
SECTION MOTHERBOARD

DRG NO  
ED3557



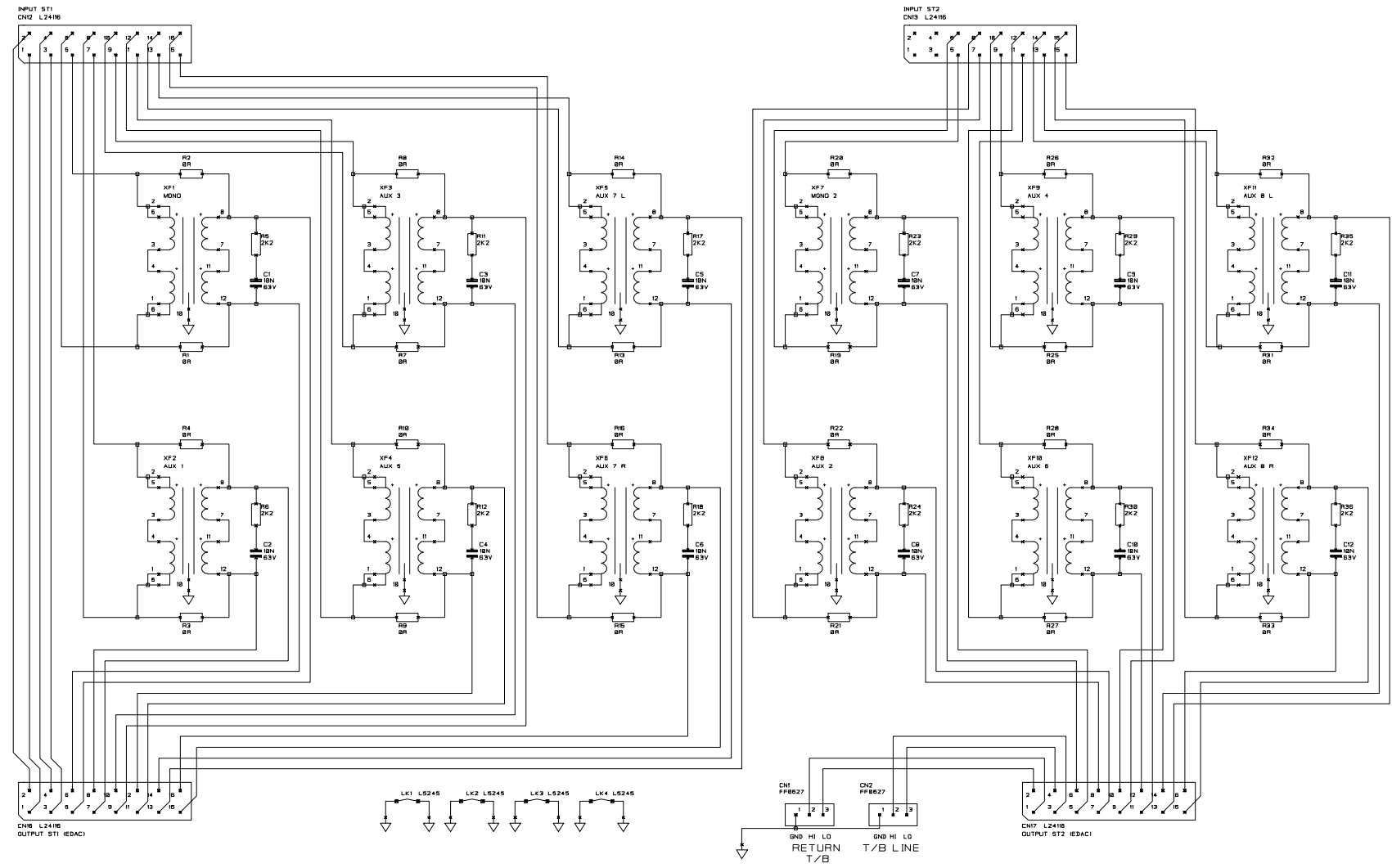


NOTES

DRN. CJH

TITLE  
SOUNDRAFT 8800  
SCRAMBLE CARD

DRG NO. ED3558



**NOTES**

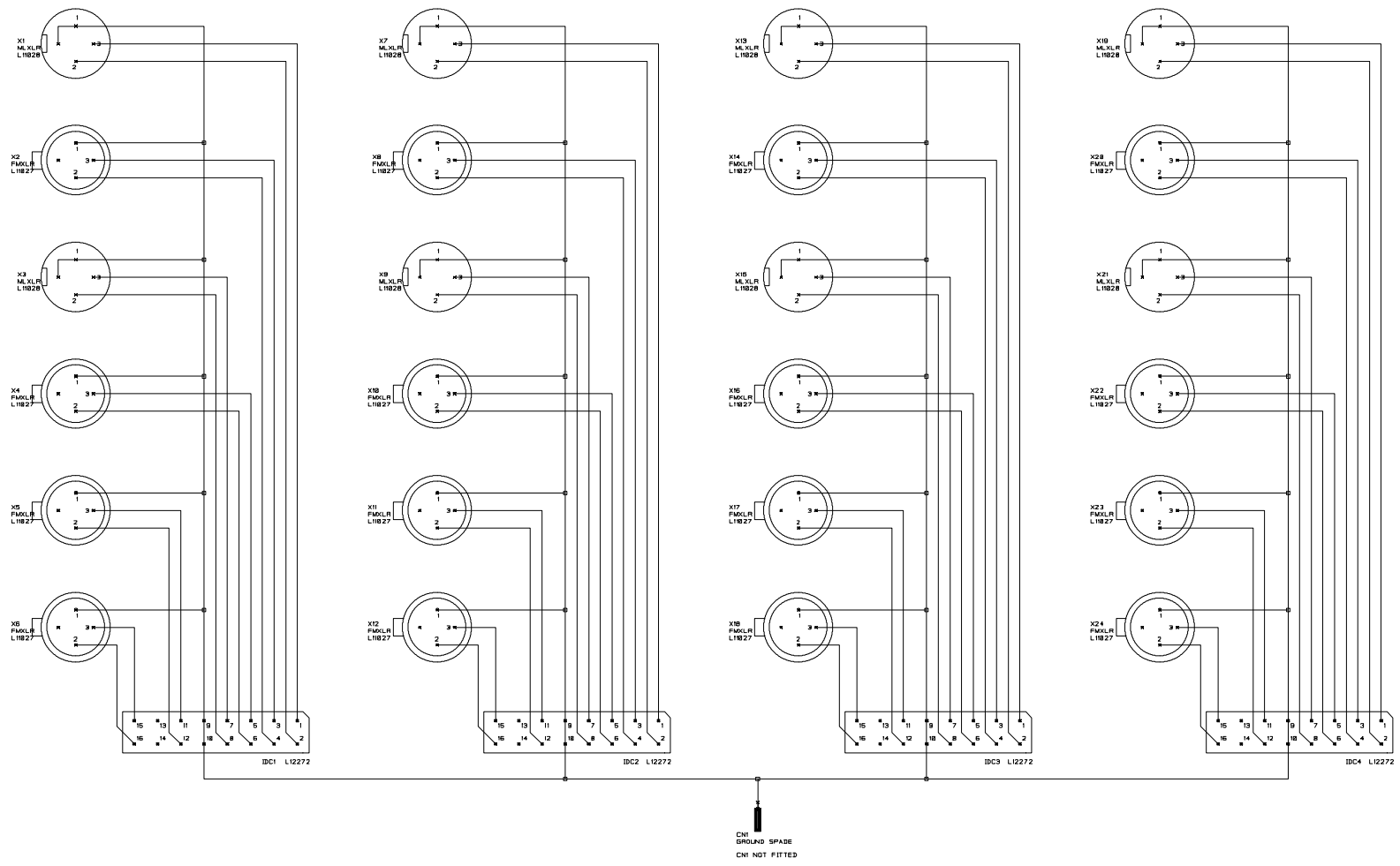
COMPONENTS USED  
 R1 - R36  
 C1 - C12  
 XF1 - XF12  
 P1 - P6  
 LK1 - LK4  
 CN12, CN13, CN16, CN17

THE BR RESISTORS ARE FITTED WHEN TRANSFORMERS ARE NOT REQUIRED

DRN. CJH

TITLE  
 SOUNDRAFT  
 B800/B400  
 TRANSFORMER PCB

DRG NO. ED3559

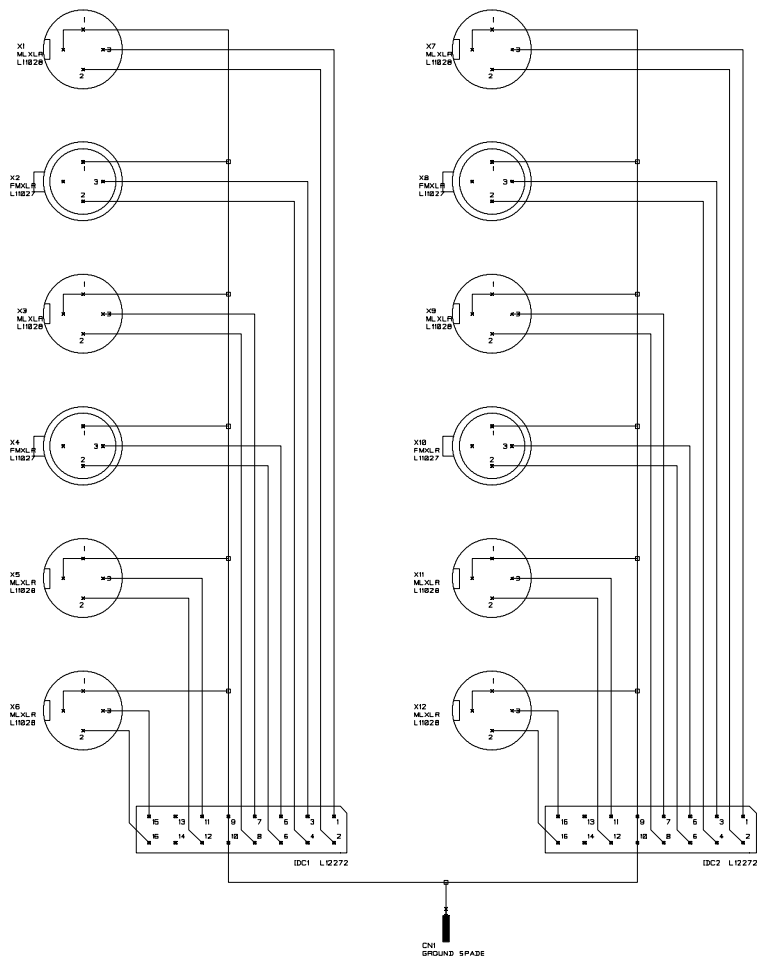


NOTES

DRN.

TITLE  
 BB00 4 WAY 1/P-GROUP  
 REAR CONNECTOR PANEL

DRG NO  
 ED 3561

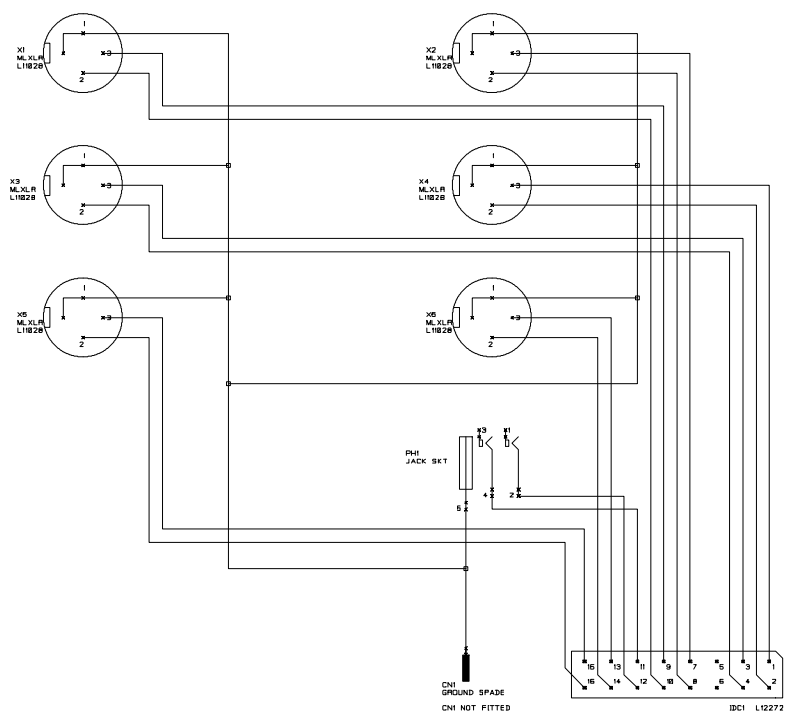


NOTES

DRN.

TITLE  
 BB00 2 WAY  
 STEREO MASTER  
 REAR CONNECTOR PANEL

DRG NO. ED3563



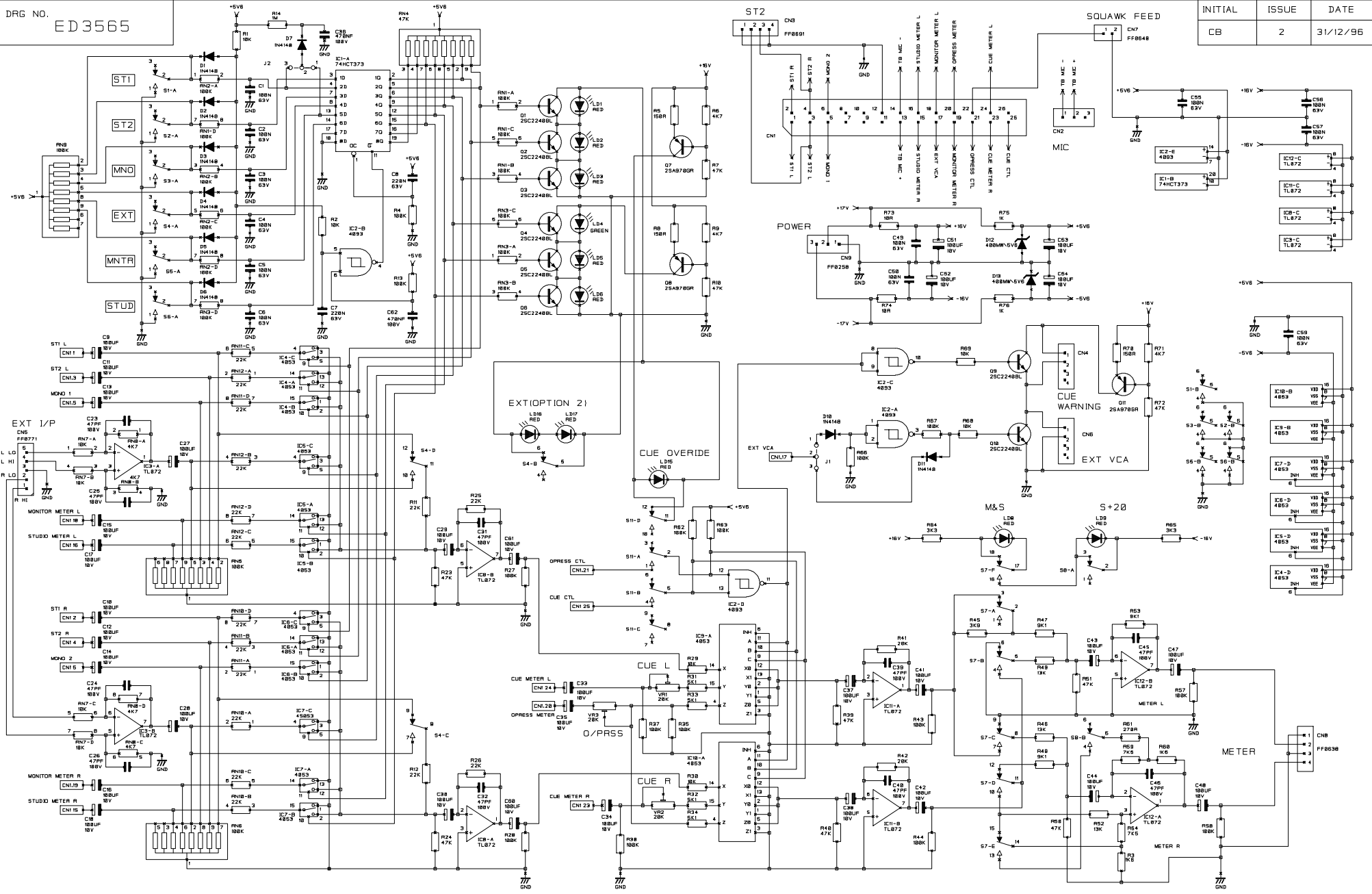
NOTES

DRN.

TITLE  
 BB00 2 WAY  
 MONITOR/COMMS  
 REAR CONNECTOR PANEL

DRG NO. ED 3564

| INITIAL | ISSUE | DATE     |
|---------|-------|----------|
| CB      | 2     | 31/12/96 |

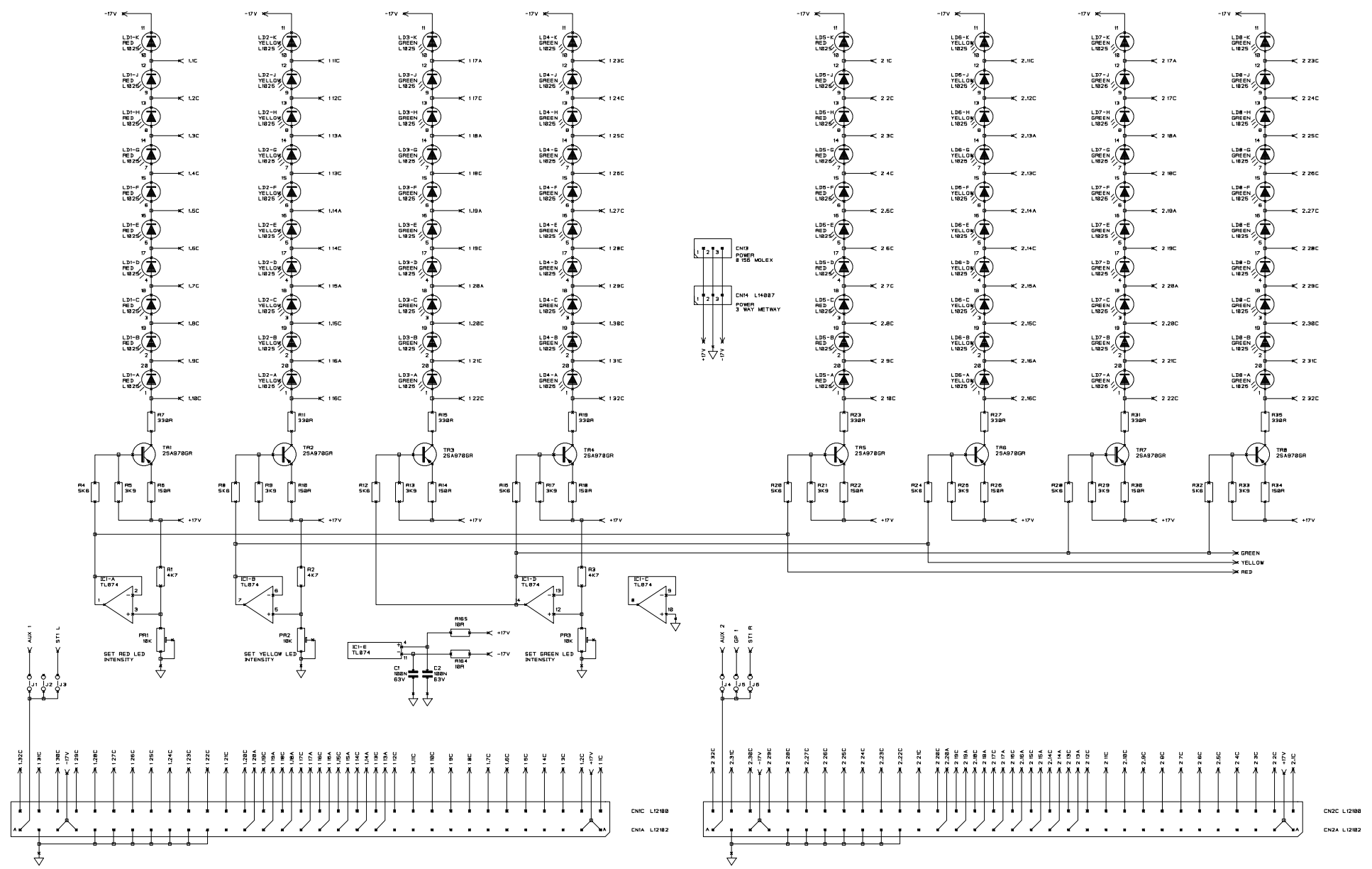


NOTES

- COMPONENTS USED  
 R1 - R7B S1 - S11  
 C1 - C81  
 D1 - D13  
 LD1 - LD7  
 Q1 - Q11  
 RN1 - RN12  
 CN1 - CN6  
 P1 - P8  
 IC1 - IC12
- VERSION 1  
 S4 IS TWO POLE MOMENTARY DF8528  
 LDR, LDR NOT FITTED  
 RN1, RN2 NOT FITTED
- VERSION 2  
 S4 IS FOUR POLE LATCHING DF8538  
 LD1 - LDR NOT FITTED  
 Q1 - Q8 NOT FITTED  
 RN1 - RN4 NOT FITTED  
 RN5 - RN12 NOT FITTED  
 D1 - D8 NOT FITTED  
 C1 - C8 NOT FITTED  
 IC1 AND IC4 - IC7 NOT FITTED
- DRN.  
 CJH
- J1 - FIT 1-2 - ACTIVE HIGH  
 2-3 - ACTIVE LOW  
 EXT VCA CONTROL INPUT
- J2 - FIT 1-2 - MONITOR +  
 2-3 - S11  
 METER SOURCE ON START UP

TITLE  
**B800  
 METER MASTER  
 METER SELECT**

DRG NO. ED3565



**NOTES**

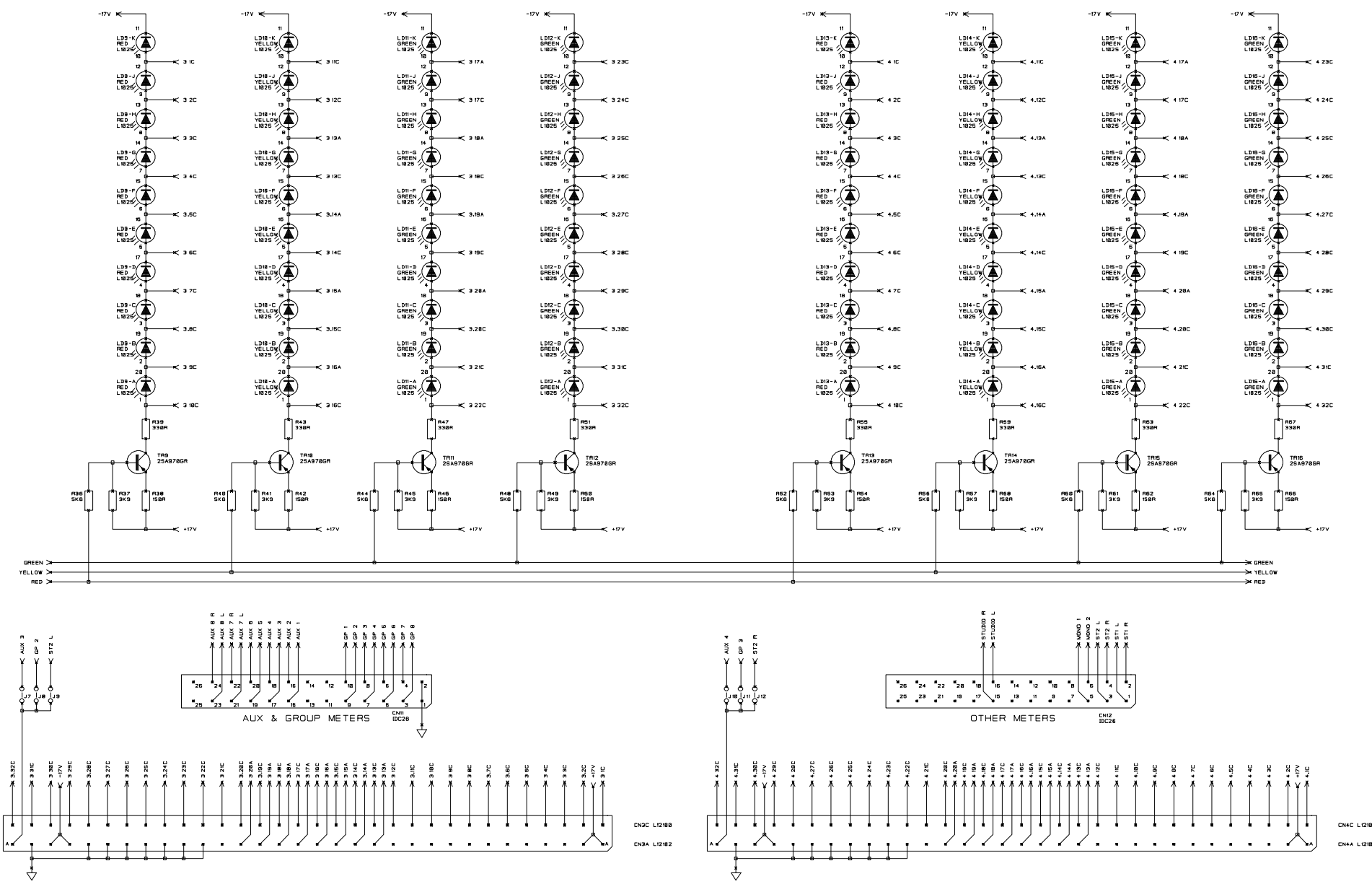
COMPONENTS USED  
 R1 - R36, R164, R165  
 C1 - C2  
 D1 - D8  
 LD1 - LD8  
 TR1 - TR8  
 J1 - J8  
 CN1, CN2, CN9, CN14

PCB TYPE SC3566 ISSUE 1

DRN. CJH

TITLE  
 B800 LED PPM METER  
 DISPLAY BOARD

DRG NO. ED3566A



**NOTES**

COMPONENTS USED      PCB TYPE SC3566 ISSUE 1

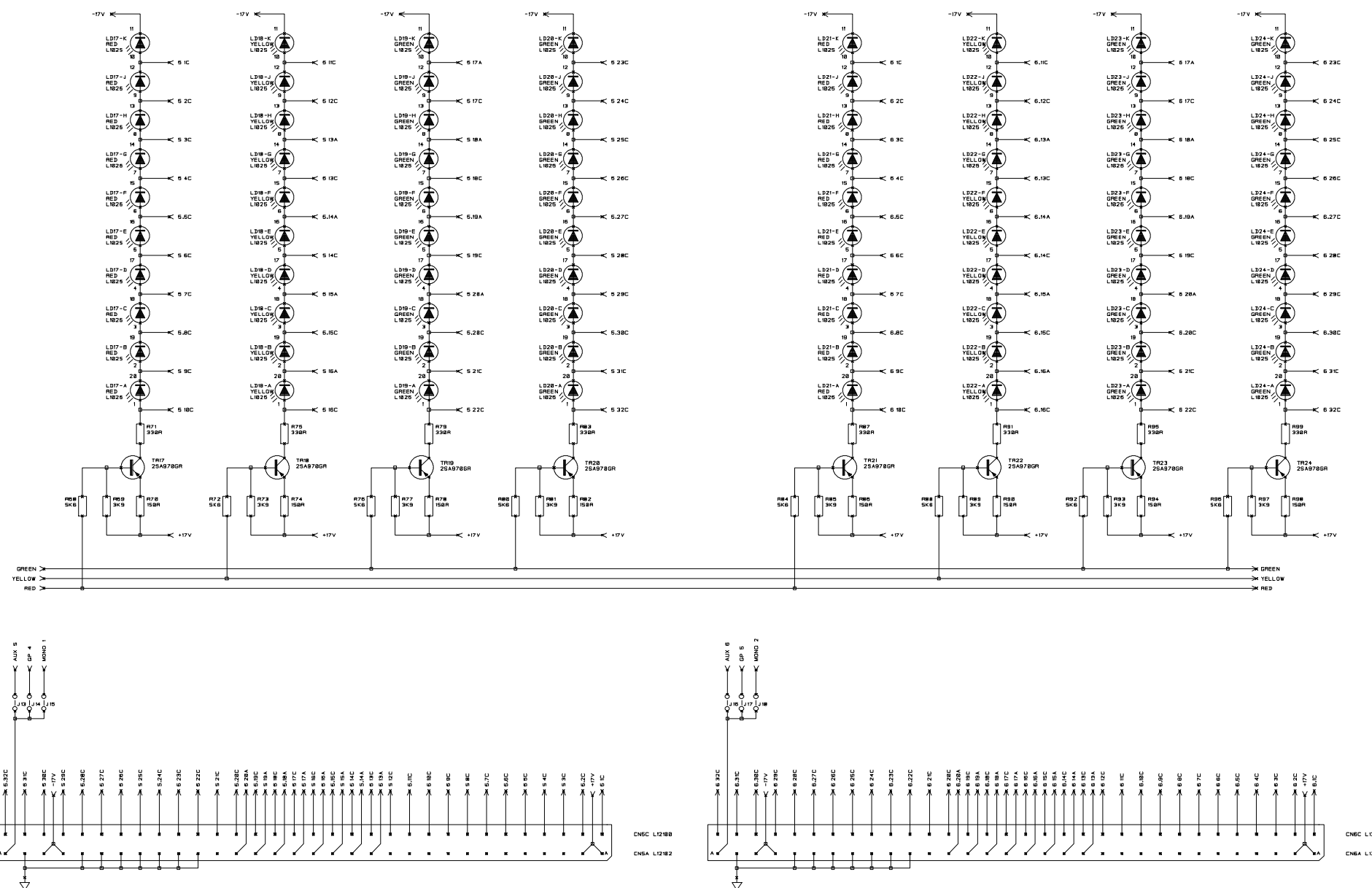
R36 - R67  
 LD9 - LD19  
 TR9 - TR18  
 J7 - J12  
 CN3, CN4, CN1, CN2

DRN. CJH

TITLE  
 B800 LED PPM METER  
 DISPLAY BOARD

DRG NO. ED3566B





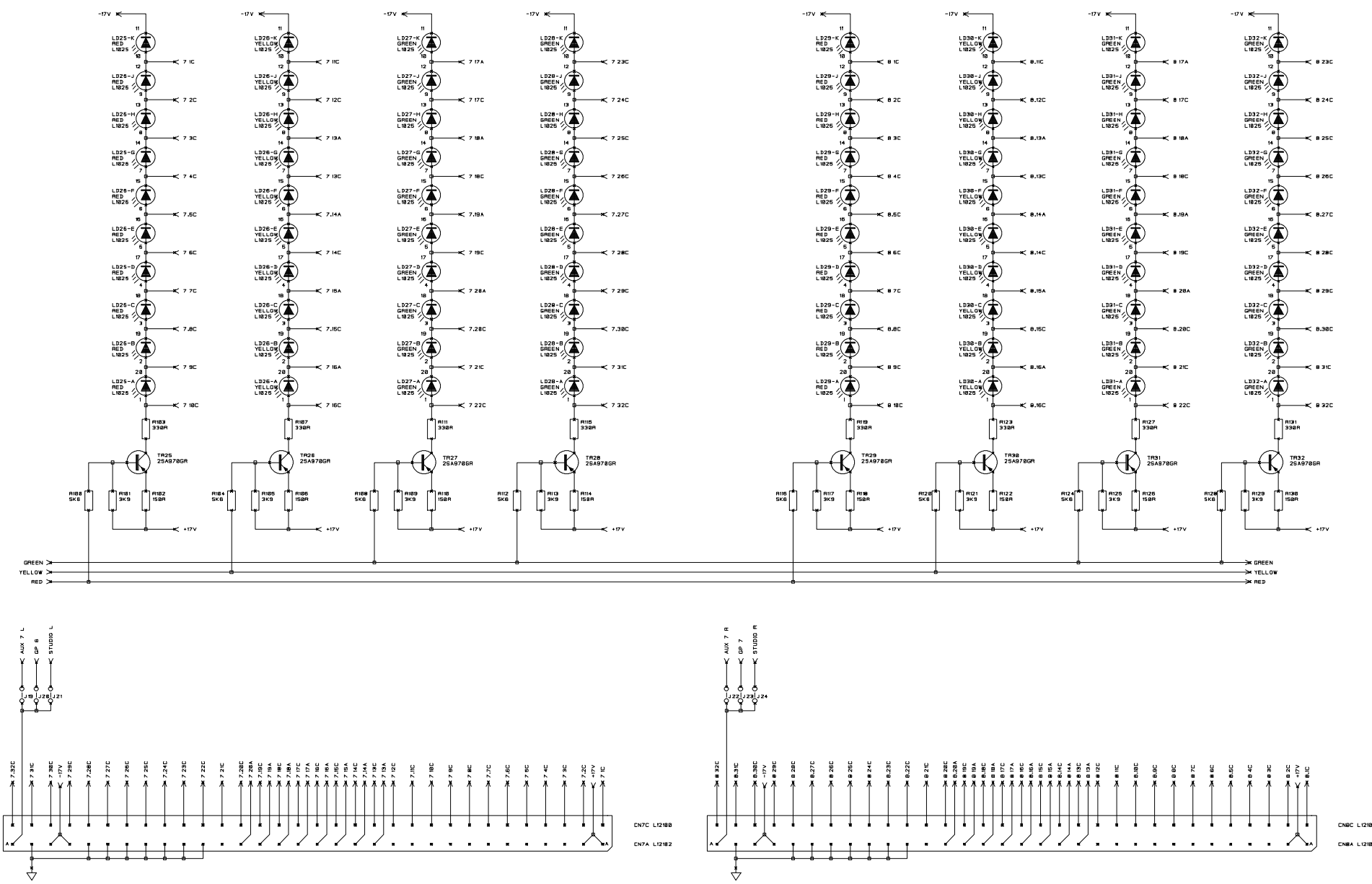
NOTES

COMPONENTS USED PCB TYPE SC3566 ISSUE 1  
 R68 - R89  
 LD17 - LD24  
 TR17 - TR24  
 J10 - J18  
 C5A - C5D

DRN. CJH

TITLE  
 B800 LED PPM METER  
 DISPLAY BOARD

DRG NO. ED3566C



**NOTES**

COMPONENTS USED      PCB TYPE SC3566 ISSUE 1

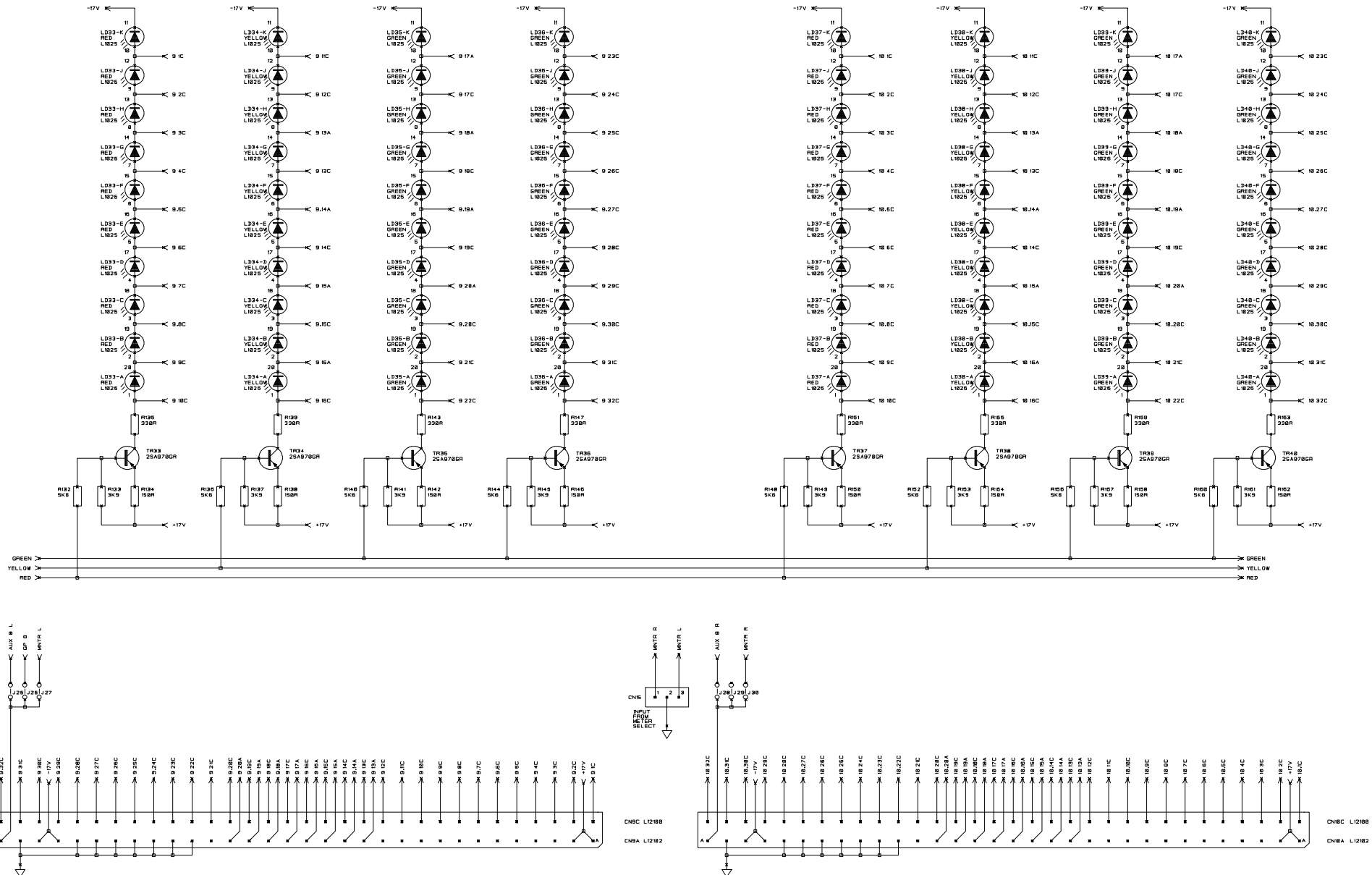
R108 - R131  
 LD25 - LD32  
 TR25 - TR32  
 J18 - J24  
 CN7, CN8

DRN. CJH

TITLE  
 B800 LED PPM METER  
 DISPLAY BOARD

DRG NO. ED3566D

| INITIAL | ISSUE | DATE     |
|---------|-------|----------|
| CJH     | 1     | 12/10/95 |



**NOTES**

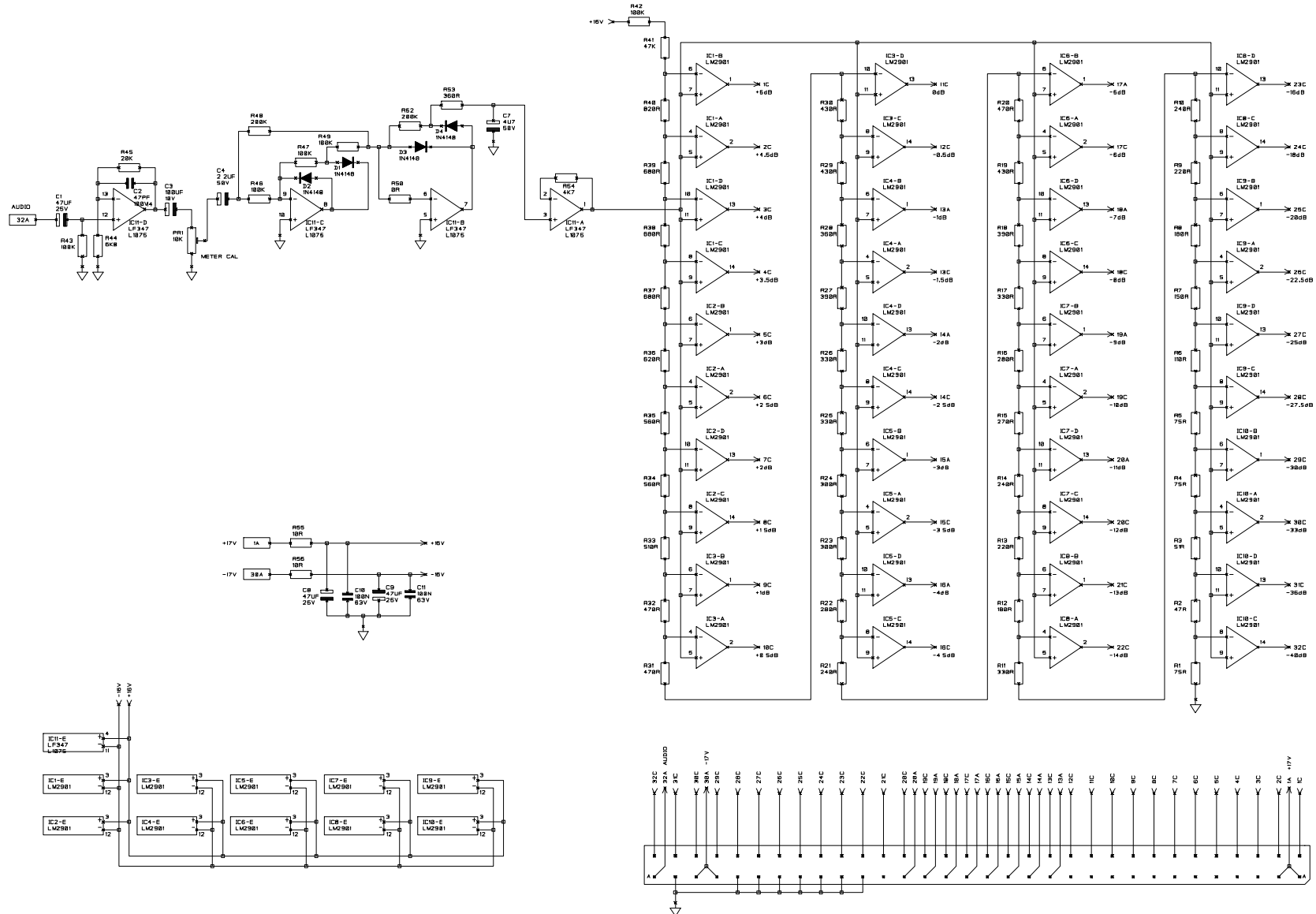
COMPONENTS USED      PCB TYPE SC3566 ISSUE 1

R132 - R163  
 LD33 - LD40  
 TR33 - TR40  
 J25 - J30  
 CN8, CN9, CN10

DRN. CJH

TITLE  
 B800 LED PPM METER  
 DISPLAY BOARD

DRG NO. ED3566E



**NOTES**

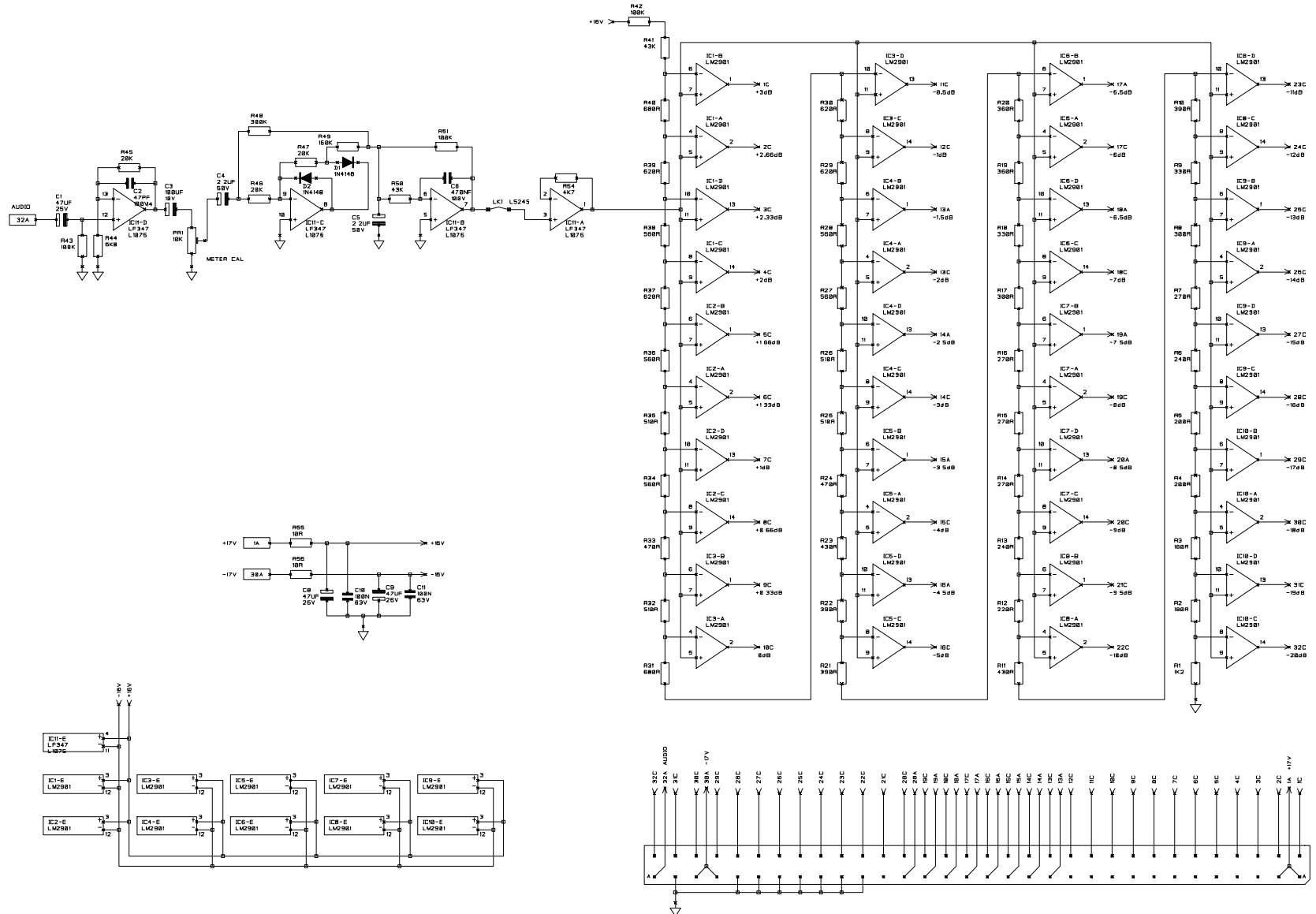
COMPONENTS USED  
 R1 - R56, R52 - R56  
 C1 - C4, C7 - C11  
 D1 - D4  
 CN1  
 PR1

PCB TYPE SC3567 ISSUE 2 STANDARD OPTION  
 PPM VERSION - SEE ED3567B FOR VU VERSION

DRN.  
 CJH

TITLE  
 B800 LED PPM METER  
 DISPLAY DRIVER

DRG NO  
 ED3567A



NOTES

COMPONENTS USED  
 R1 - R5, R54 - R56  
 C1 - C6, C8 - C11  
 D1 - D2  
 CN1  
 PR1  
 LK1

PCB TYPE SC3567 ISSUE 2 OPTION A  
 VU VERSION - SEE ED3567A FOR PPM VERSION

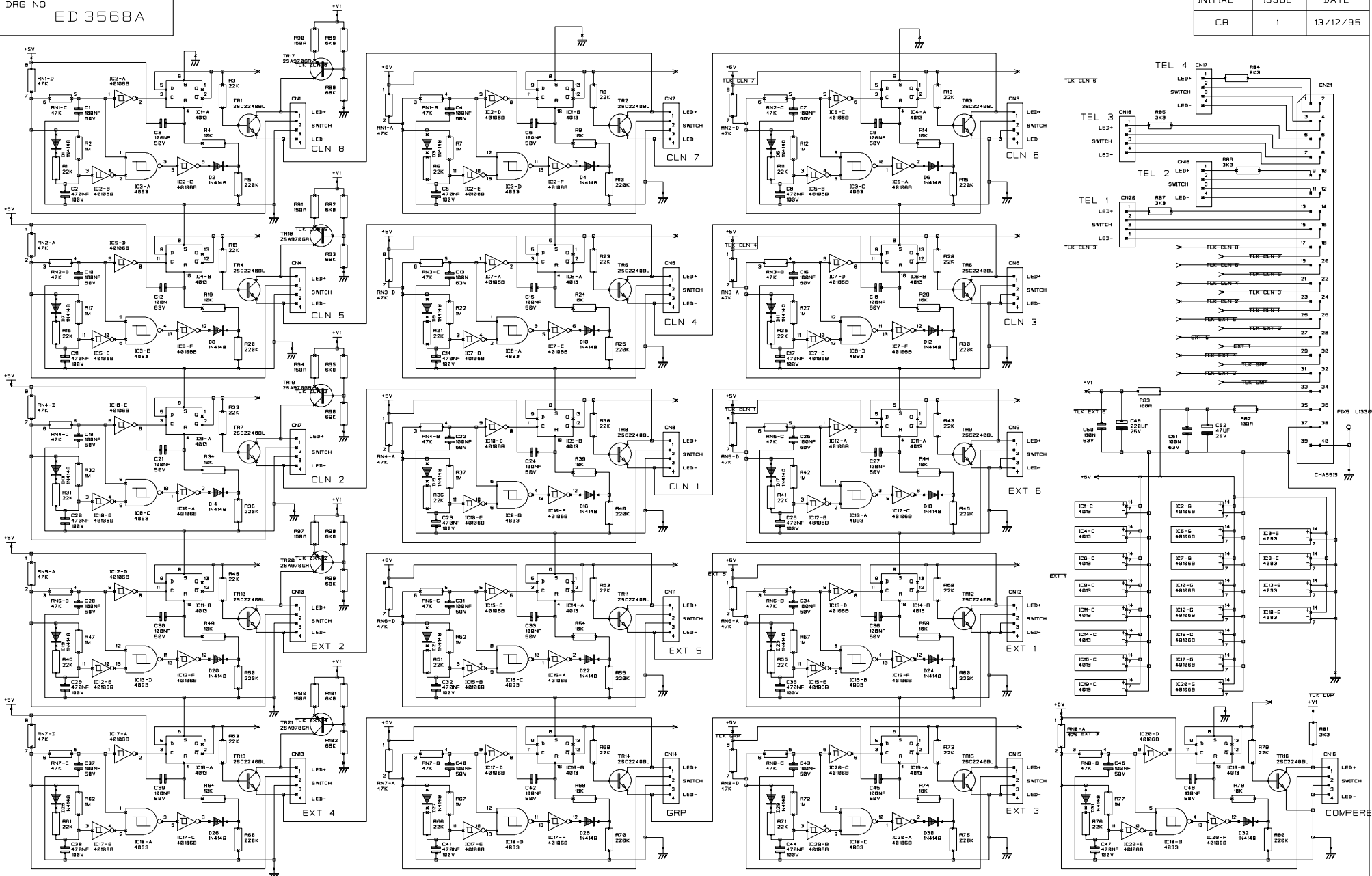
DRN. CJH

TITLE  
 B800 LED VU METER  
 DISPLAY DRIVER

DRG NO  
 ED3567B

DRG NO  
ED 3568A

| INITIAL | ISSUE | DATE     |
|---------|-------|----------|
| CB      | 1     | 13/12/95 |



NOTES PT ADDED CONNECTIONS CN3,6,9,12,15, PIN 3/4

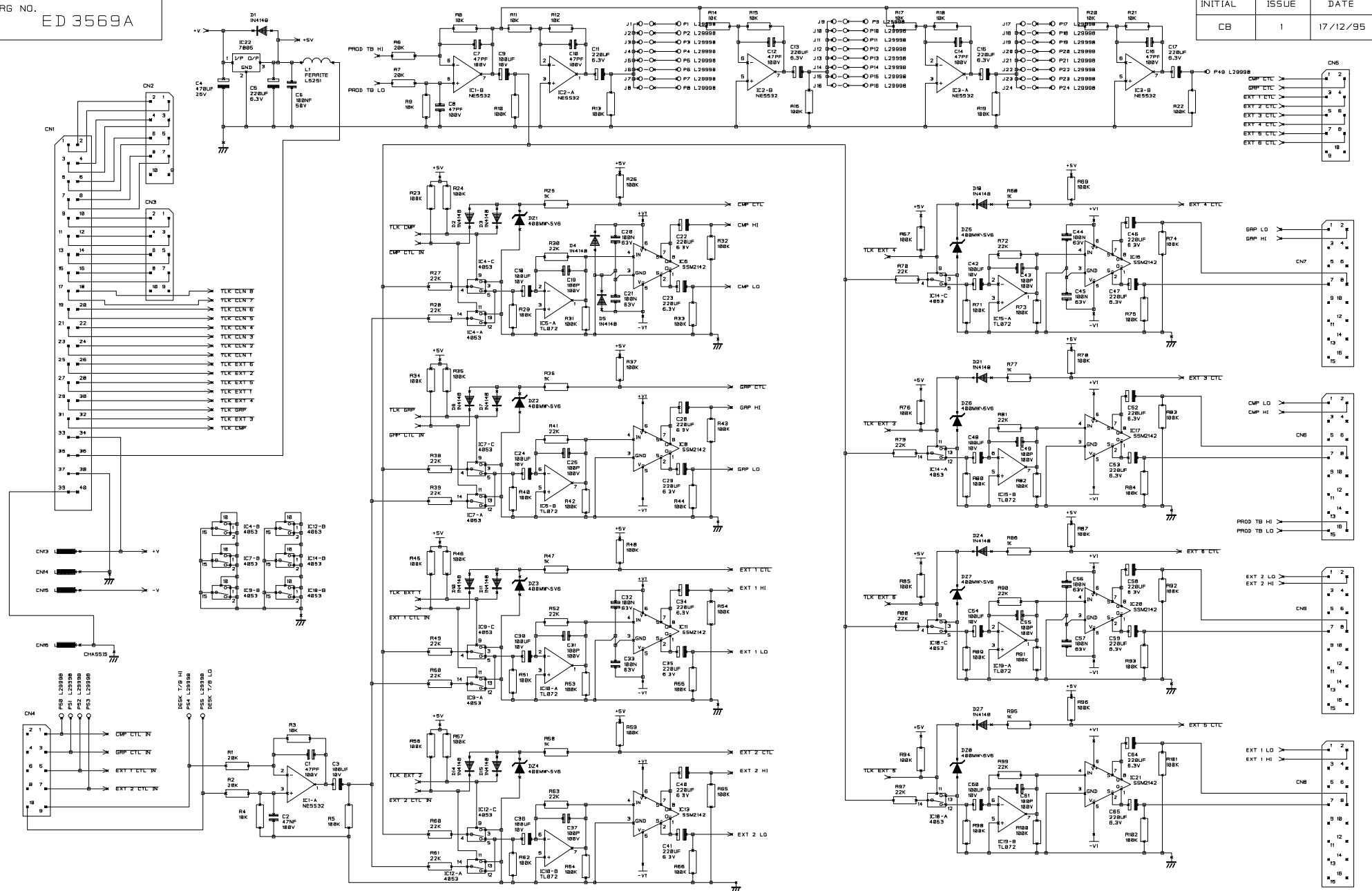
DRN

TITLE B800  
RTE PROD T/B  
SWITCH PANEL PCB

DRG NO ED 3568A

DRG NO. ED 3569A

| INITIAL | ISSUE | DATE     |
|---------|-------|----------|
| CB      | 1     | 17/12/95 |

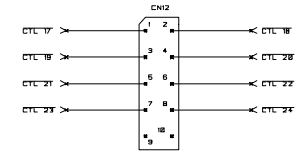
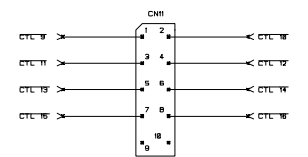
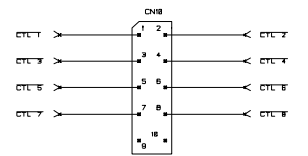
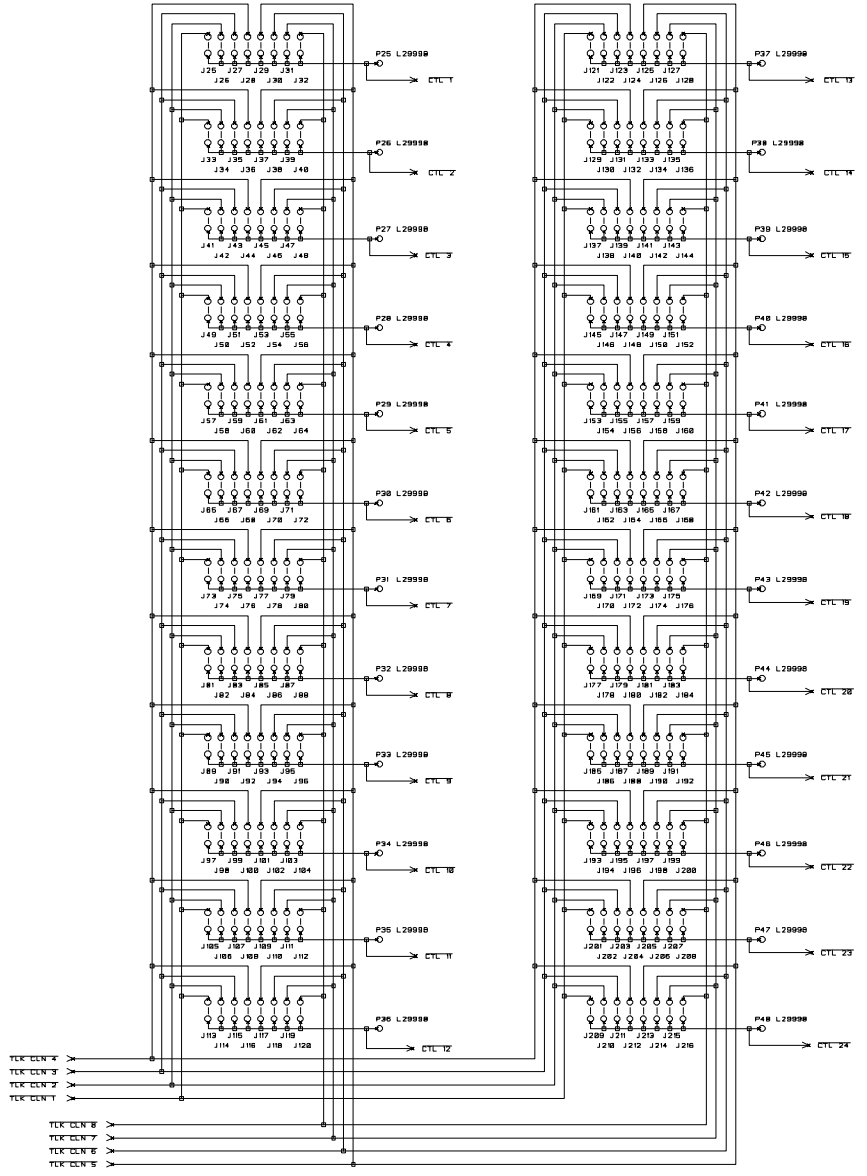
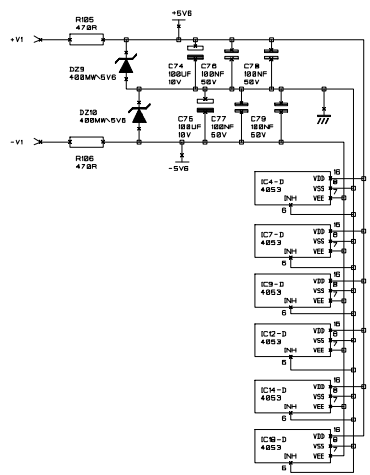
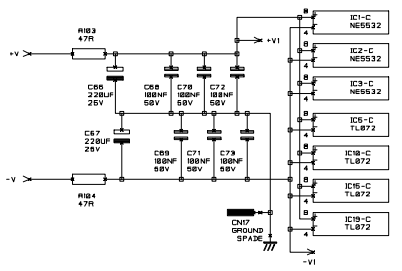


NOTES

DRN.

TITLE B800  
RTE PROD T/B  
MAIN PCB

DRG NO. ED 3569A

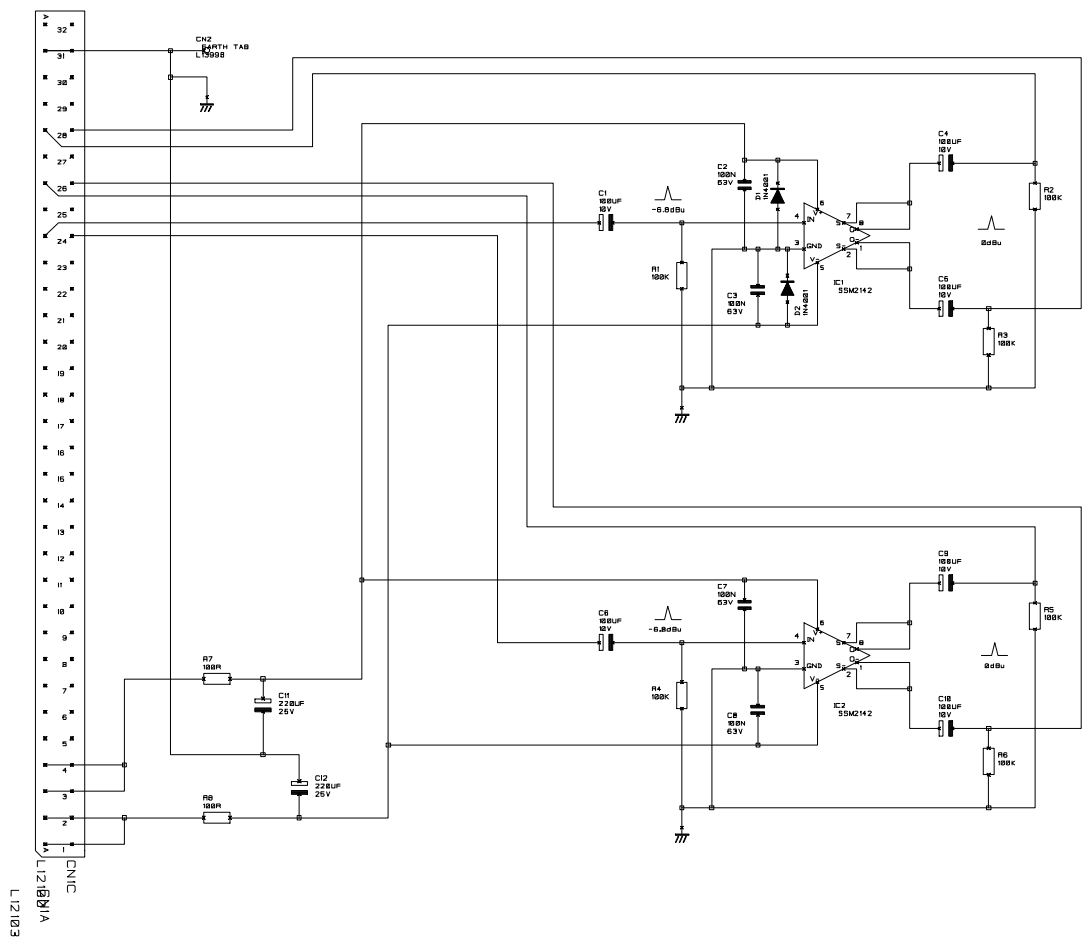


NOTES

DRN.

TITLE B800  
RTE PROD T/B  
MAIN PCB  
DRG NO. ED 3569B



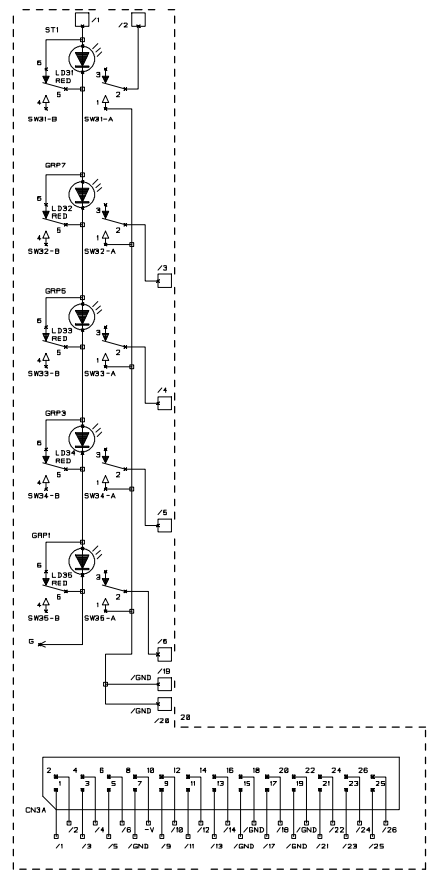
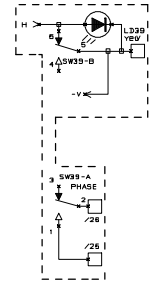
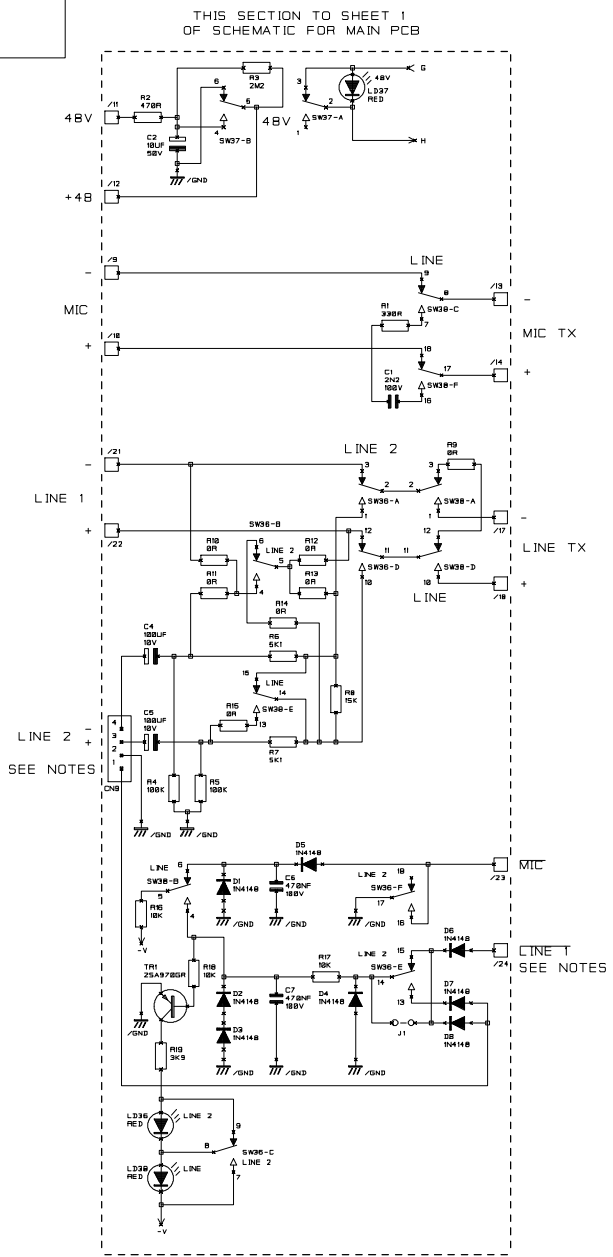


NOTES

DRN. CB

TITLE  
B800 STEREO  
BALANCED O/P PCB

DRG NO  
ED3570



NOTES  
FOR NORMAL VERSION.  
OMIT R11,R13,R14,R15

FOR TRANSFORMER OPTION:  
CHANGE R6,R7 (5K1) TO 10K  
CHANGE R8 (15K) TO 18K  
OMIT R10,R12

FIT J1 IF LINE 2 MUST OPERATE  
REMOTES AS WELL AS LINE 1

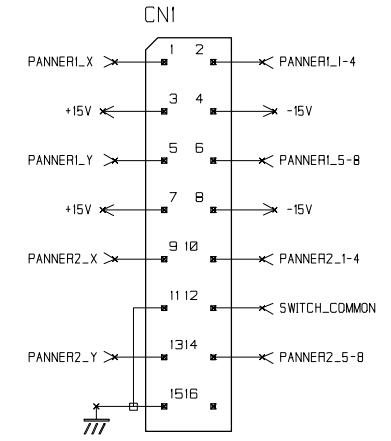
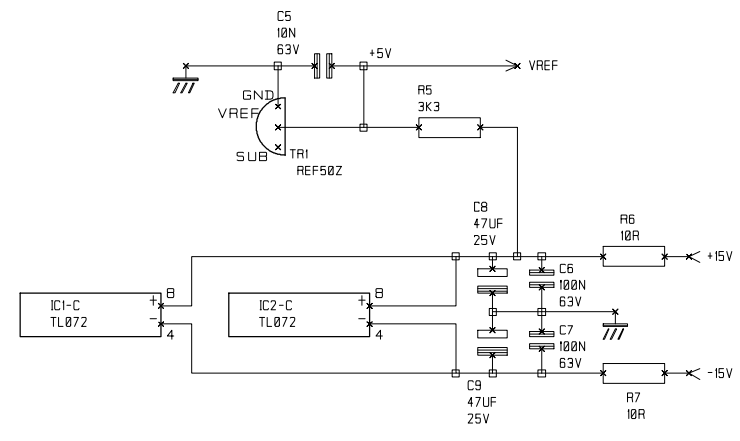
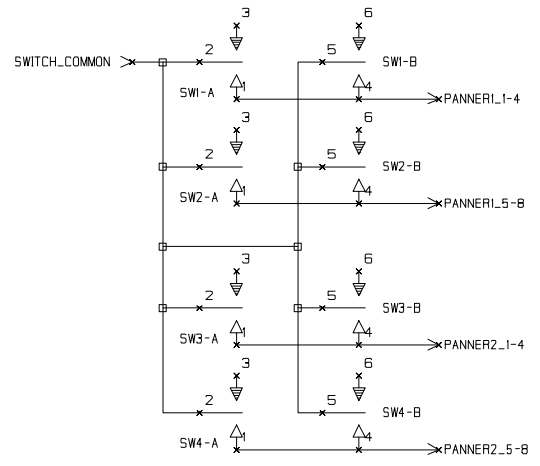
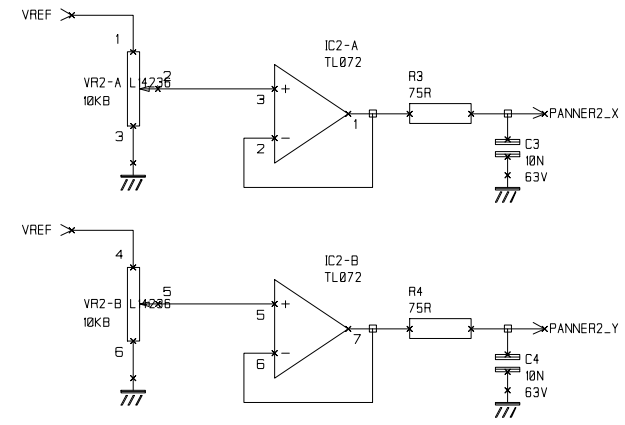
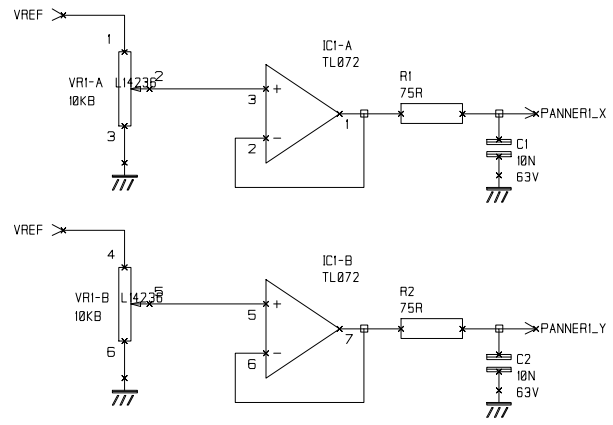
OTHERWISE, WIRE PIN 1 OF 4-PIN HEADER  
TO J13 PIN 2 ON MAIN PCB, SO THAT  
STUDIO MUTE / MONITOR DIM WORK WHEN  
LINE 2 IS SELECTED. DO NOT JUMP J13.

DRN. CB/VCR

TITLE B800  
MONO INPUT DUAL  
LINE SUB BOARD

DRG NO. ED 3571

| INITIAL | ISSUE | DATE    |
|---------|-------|---------|
| ASR     | 01    | 10/4/96 |

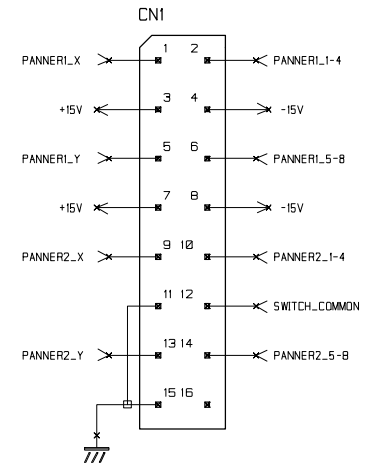
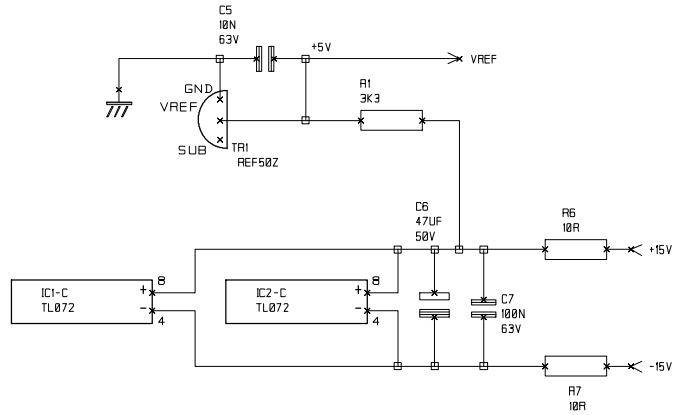
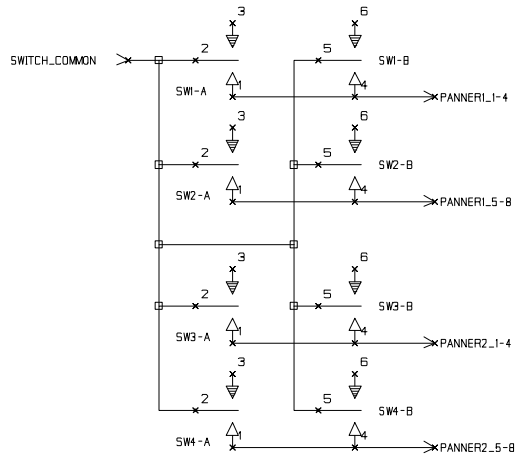
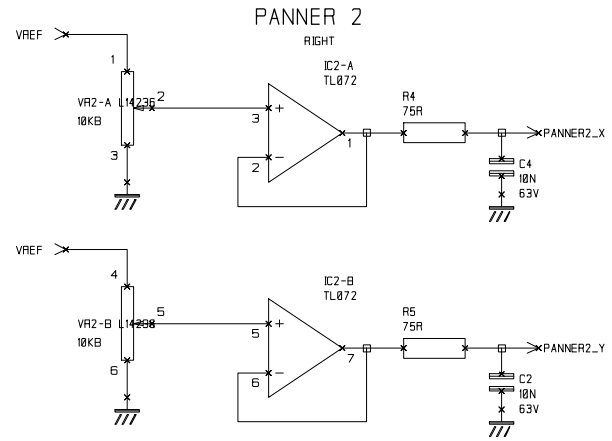
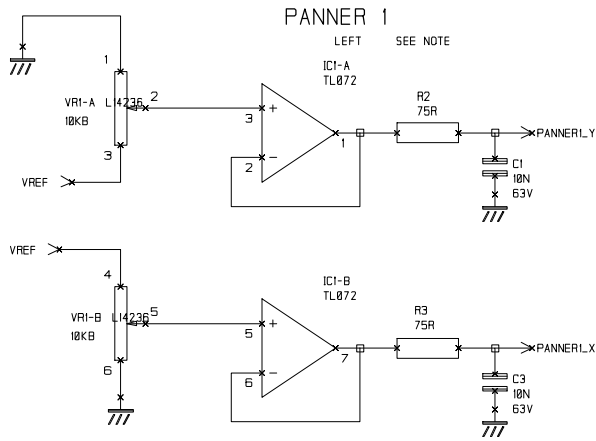


NOTES

DRN. ASR

TITLE  
 B800 MAGTRAX  
 PANNER PCB  
 DRG NO. ED 3735  
 SHT 1 OF 1

| INITIAL | ISSUE | DATE     |
|---------|-------|----------|
| AH      | 01    | 20/06/96 |

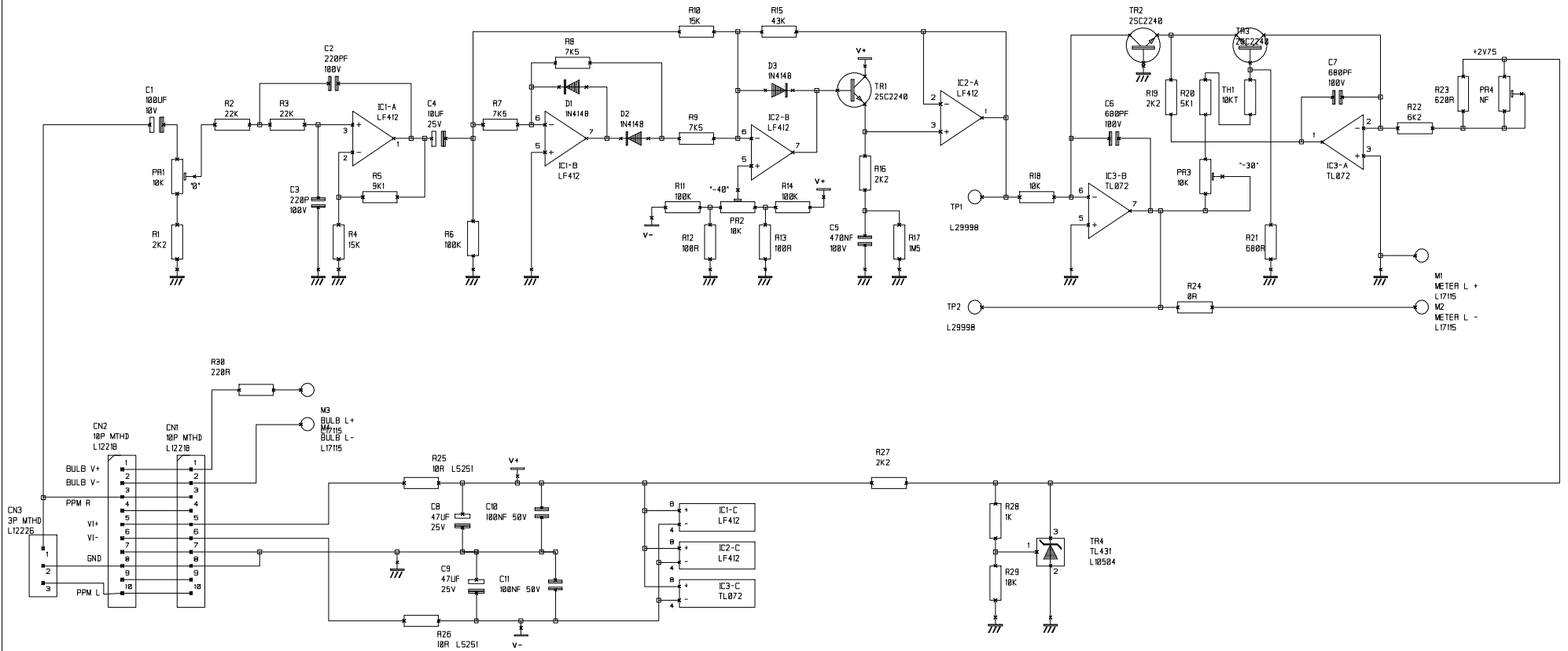


NOTES  
NB: MODIFIED FROM SC3593 - PANNER 1 ROTATED THROUGH 90 DEGREES CLOCKWISE

DRN. AH

TITLE  
B800 MAGTRAX  
JOYSTICK PANNER

DRG NO. ED3766

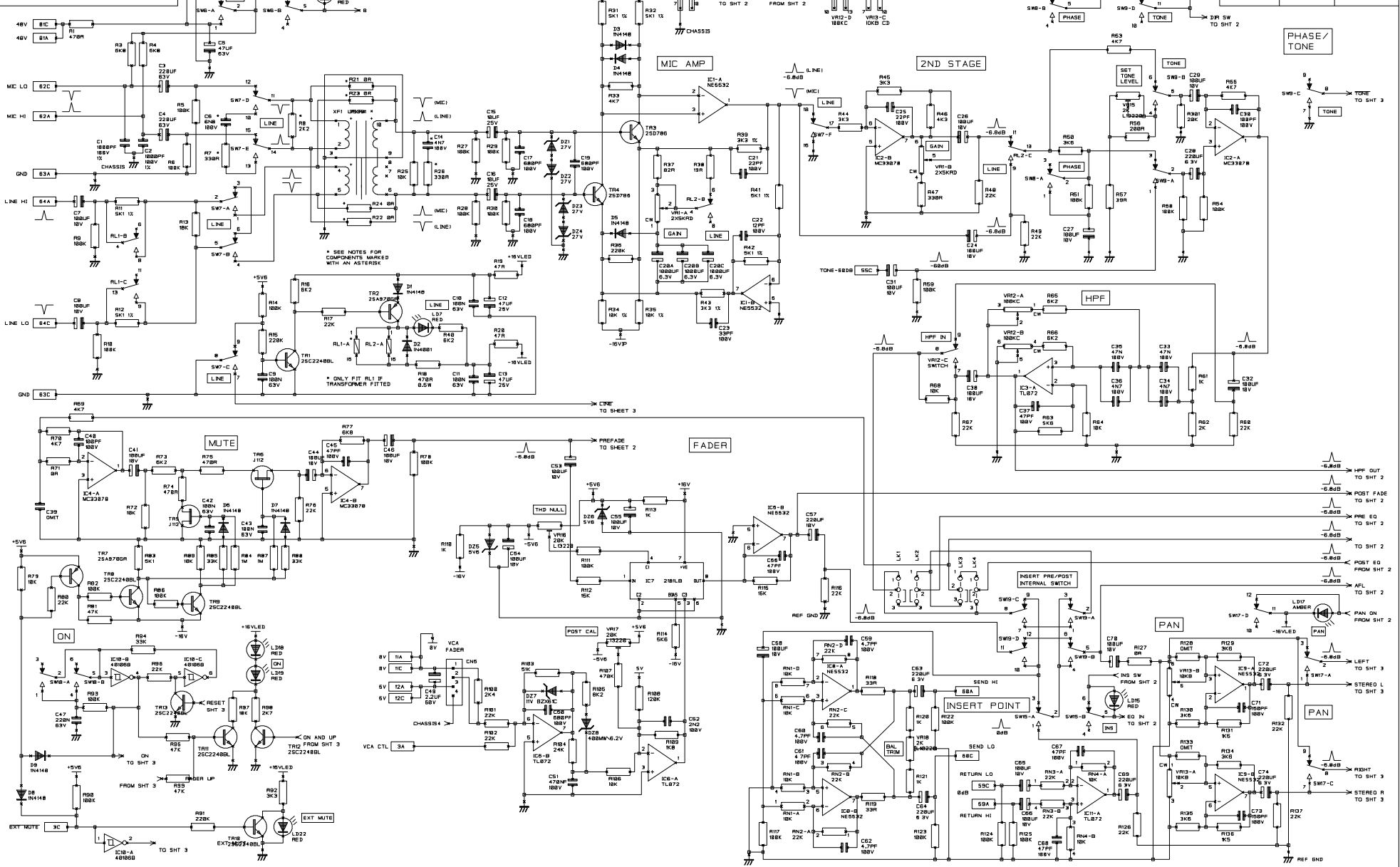


NOTES

NOTES

|      |    |         |                             |
|------|----|---------|-----------------------------|
| DRN. | CB | TITLE   | B800 SINGLE PPM METER DRIVE |
|      |    | DRG NO. | ED 3798                     |

| INITIAL | ISSUE | DATE     |
|---------|-------|----------|
| RNJS    | 3.05  | 02-05-00 |



NOTES  
ELECTRONIC BAL 1/P  
OMIT XF1,RL1,R7,R26,C6,C14

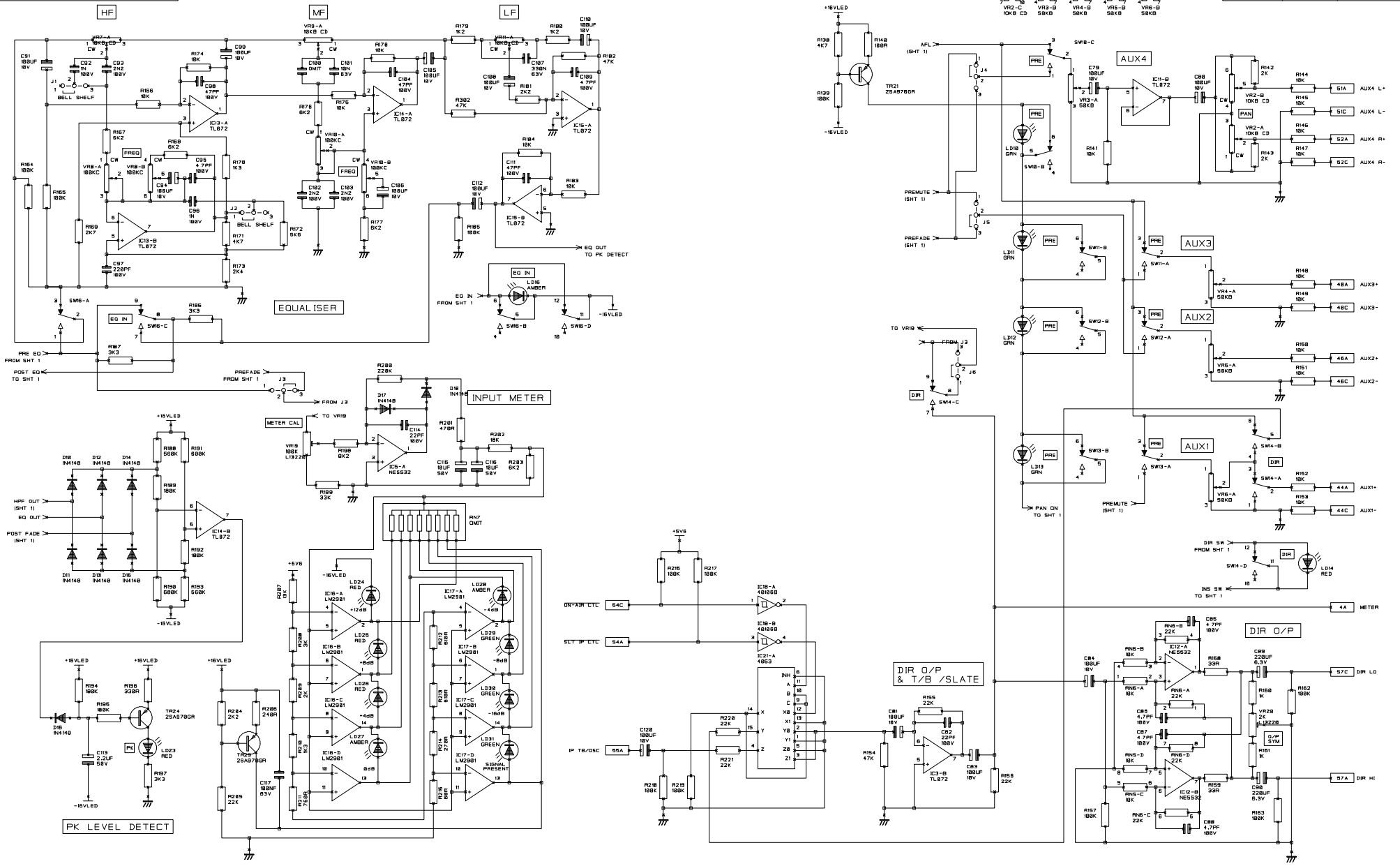
TRANSFORMER OPTION  
FIT C6=6N8, R7=330R,  
C14=4N7, R26=330R,  
RL1, XF1  
OMIT R21-R24  
CHANGE R8 (2K2) TO 5K1  
CHANGE R18 (470R) TO 100R 0.5W

LINKS  
LK1,2,3,4 INSERT PRE FADE  
JUMP 1-2 - PRE EQ  
JUMP 2-3 = POST EQ (DEFAULT)

DRN. CB/PRH

TITLE B400  
MONO INPUT MODULE

| INITIAL | ISSUE | DATE     |
|---------|-------|----------|
| RNJS    | 3-05  | 02-05-00 |



**NOTES**

J3 - INPUT METER SOURCE  
LNK 1-2 FOR PRE-EG FEED  
LNK 2-3 FOR PREFADE FEED (DEFAULT)

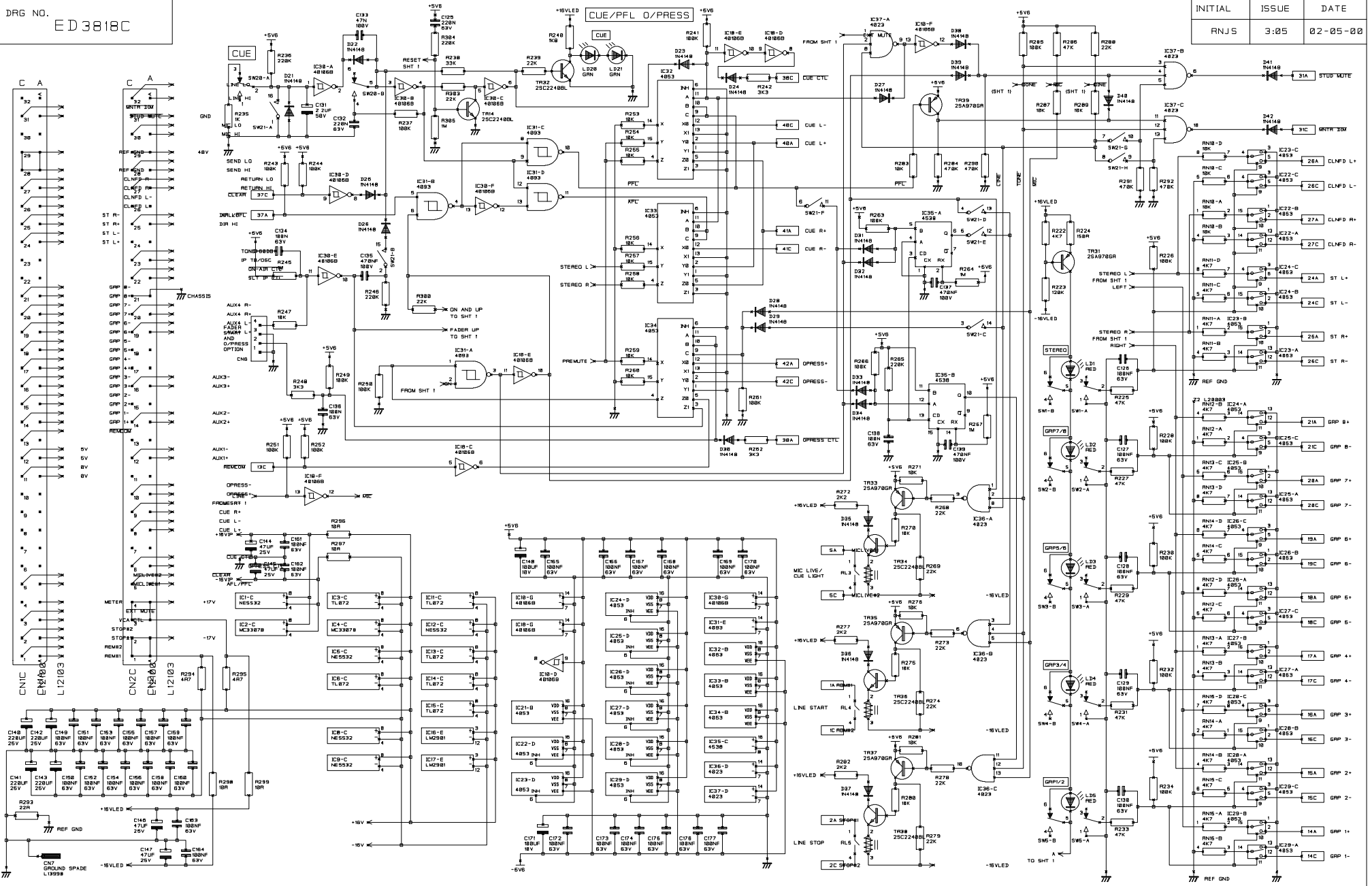
J4 - STEREO AUX PRE SOURCE  
LNK 1-2 FOR AUX 4 PRE - PREMUTE (DEFAULT)  
LNK 2-3 FOR AUX 4 PRE - PREFADE

J5 - MONO AUX PRE SOURCE  
LNK 1-2 FOR MONO AUX PRE - PREMUTE  
LNK 2-3 FOR MONO AUX PRE - PREFADE (DEFAULT)

J6 - INPUT METER DIR MODE  
LNK 1-2 FOR INPUT METER DIR (DEFAULT)  
LNK 2-3 FOR INPUT METER FOLLOWS DIR SELECTION

DRN. CB/PRH

TITLE B400  
MONO INPUT MODULE



NOTES

- SW21: 8-WAY DIL SWITCH
- SW21-A CLOSURE DISABLES THE DUAL ACTION OF SW28
- SW21-B CLOSURE ENABLES CUE CANCEL FROM FADER OPEN
- SW21-C OPEN ENABLES REM CDM IN MIC MODE
- SW21-D CLOSURE ENABLES LATCHING START IN LINE MODE
- SW21-E CLOSURE ENABLES MOMENTARY START IN LINE MODE
- SW21-F CLOSURE ENABLES START/STOP FUNCTION FROM PFL
- SW21-G CLOSURE ENABLES START/STOP FUNCTION FROM PFL
- SW21-H CLOSURE FOR MIC LIVE STUDIO MUTE
- SW21-I CLOSURE FOR MIC LIVE CONTROL ROOM MUTE

DEFAULTS

- OPEN
- CLOSED
- CLOSED
- OPEN
- CLOSED
- CLOSED
- CLOSED
- CLOSED
- OPEN

DRN.

CB/PRH

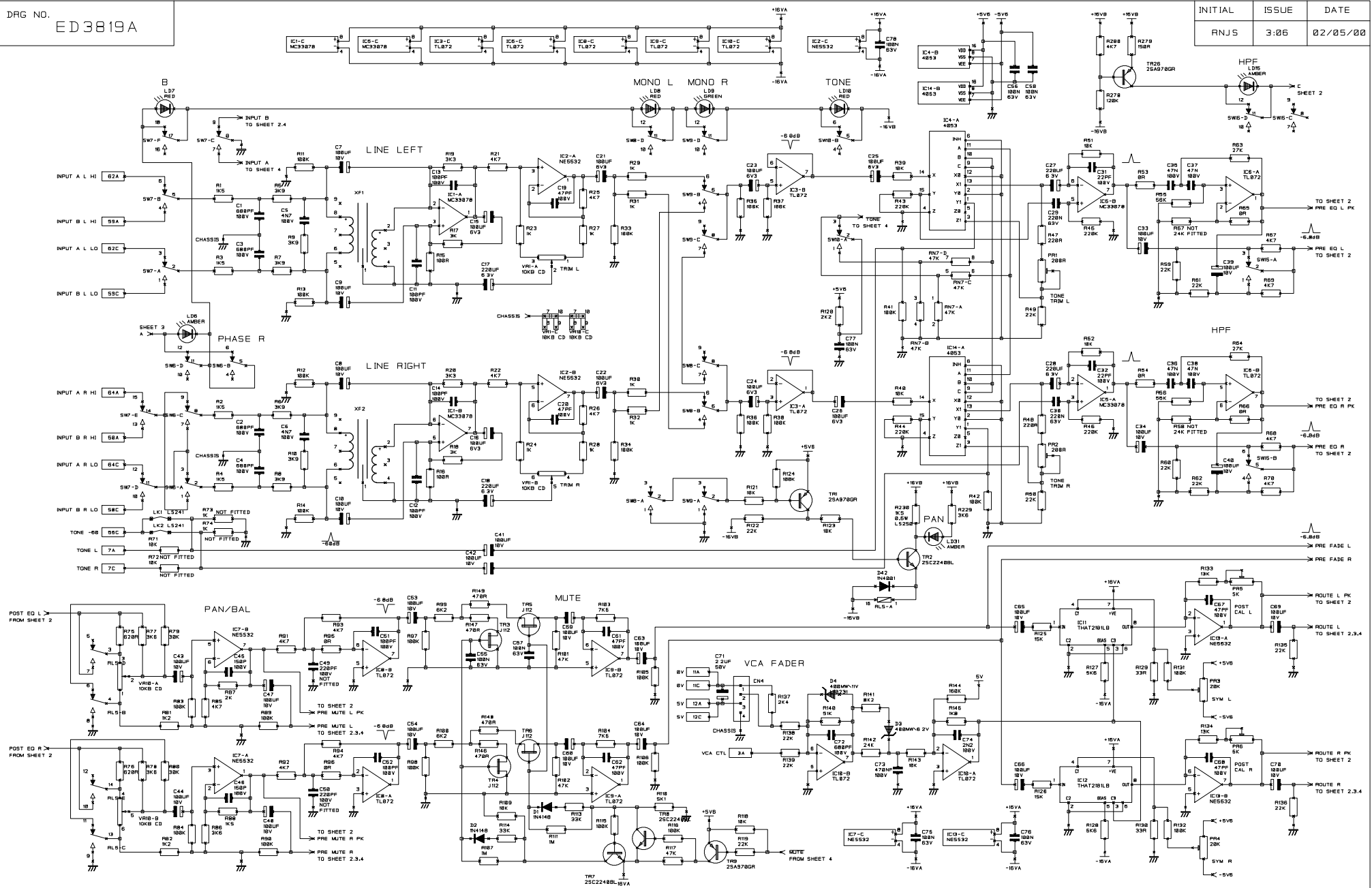
TITLE B400

MONO INPUT MODULE

DRG NO. ED 3818C



| INITIAL | ISSUE | DATE     |
|---------|-------|----------|
| RNJS    | 3:06  | 02/05/00 |



NOTES

COMPONENTS USED  
 R1 - R149, R220, R230, R278 - R280  
 C1 - C78  
 IC1 - IC4  
 TR1 - TR5, TR28  
 LD6 - LD8, LD16, LD31  
 SW6 - SW8, SW15  
 PR1 - PR6  
 D1 - D4, D42  
 LK1 - LK2

VR1, VR8  
 XF1 - XF2  
 CN4  
 RL3  
 PR7  
 PR8, PR9, PR10 TO PR14, C49, C50 ARE NOT FITTED

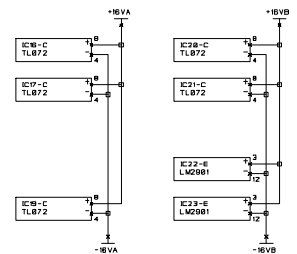
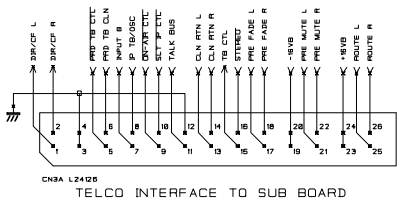
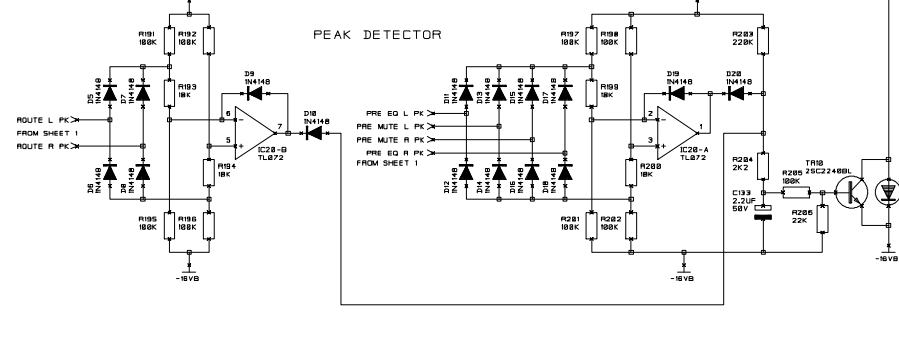
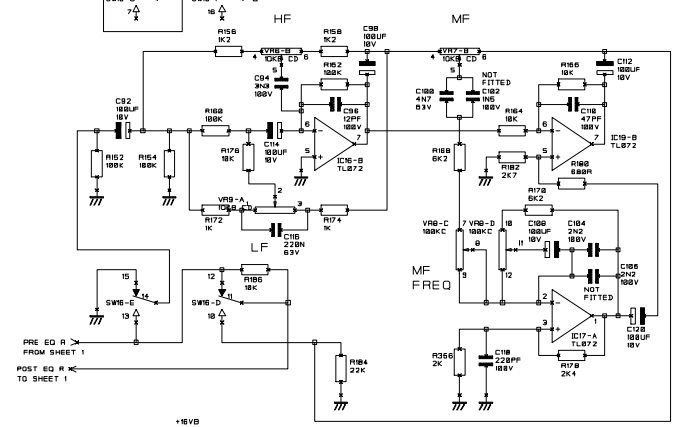
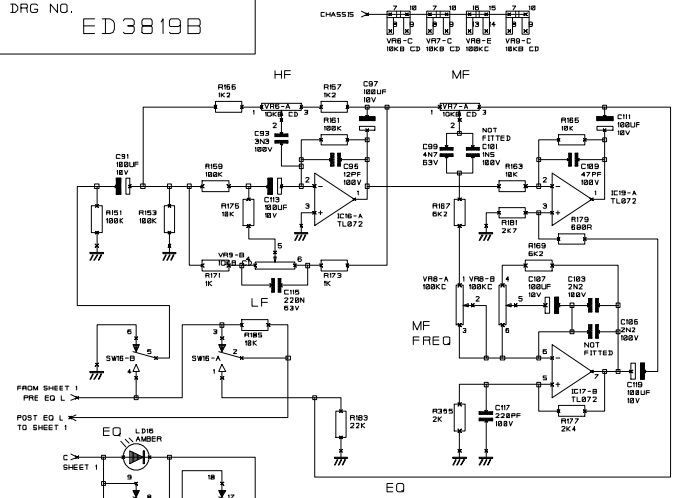
VERSION WITH TRANSFORMER  
 OMIT XF1, XF2, R7, R8, C5, C6  
 OMIT C7 TO C8  
 COMPONENT VALUES ARE AS PRINTED

VERSION WITHOUT TRANSFORMER  
 OMIT XF1, XF2, R7, R8, C5, C6, C8  
 OMIT C7 TO C8  
 R5, R6, R9 AND R28 BECOME 2K7

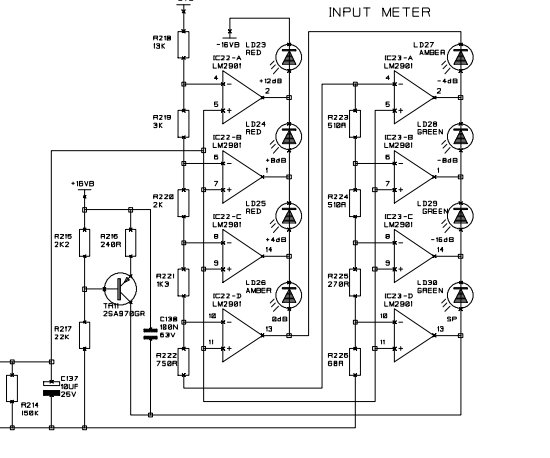
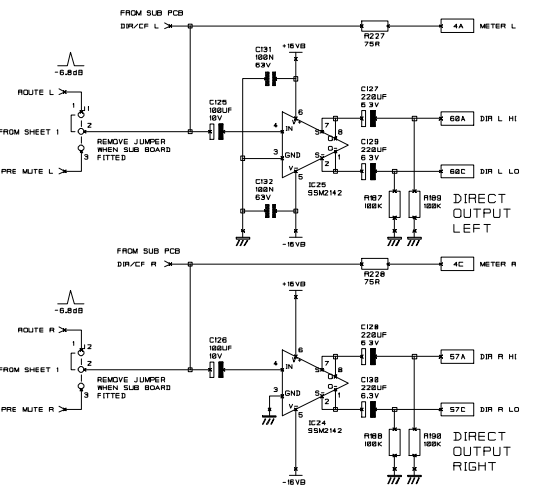
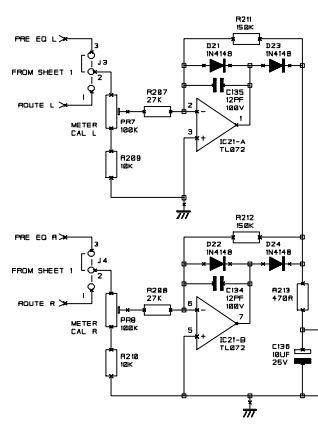
DRN. CJH

TITLE  
 B400 STEREO/TELCO  
 INPUT MODULE

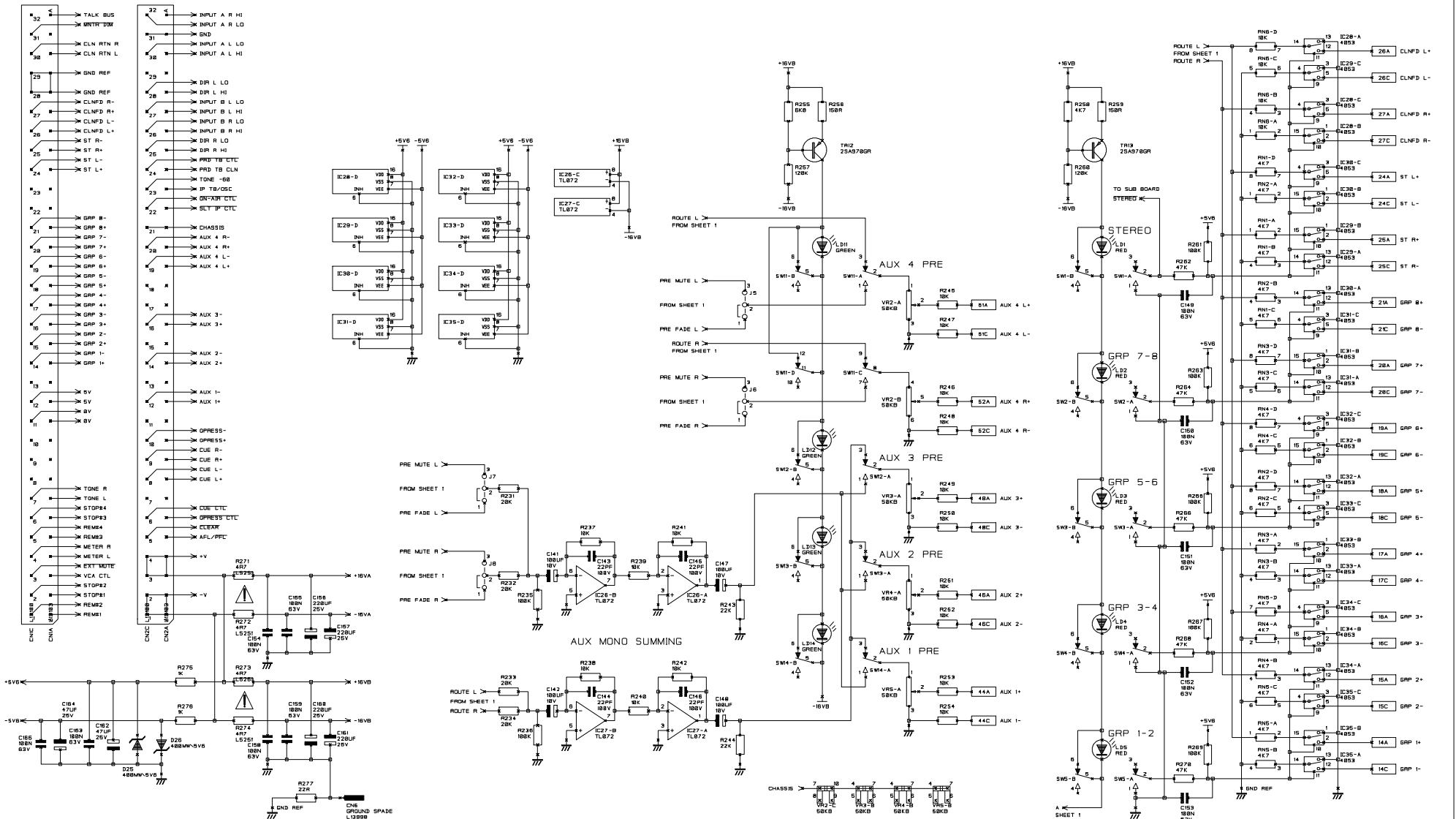
| INITIAL | ISSUE | DATE     |
|---------|-------|----------|
| RNJS    | 3:06  | 02/05/00 |



METER RECTIFIER



| INITIAL | ISSUE | DATE     |
|---------|-------|----------|
| RNJS    | 3:06  | 02/05/00 |

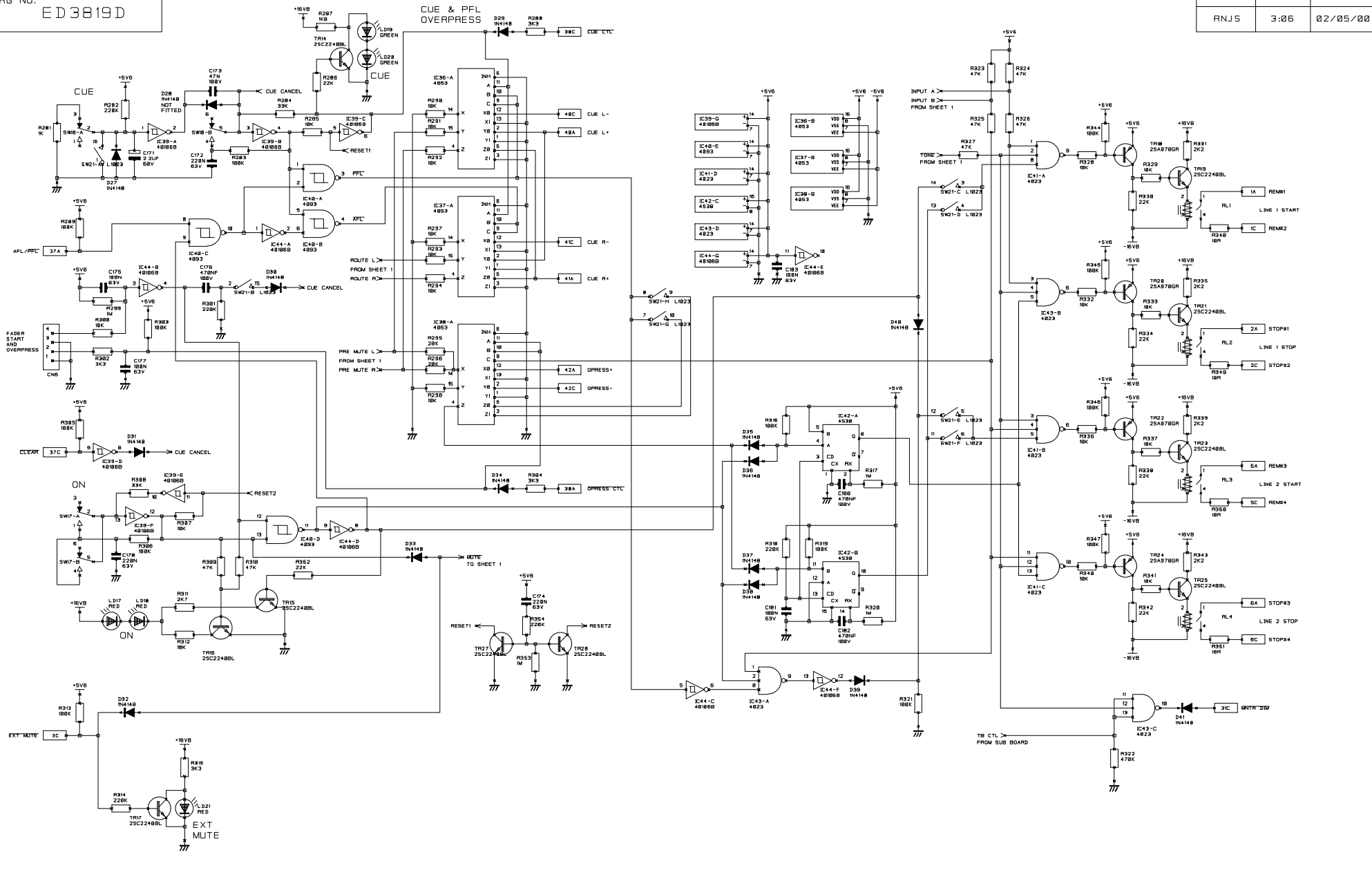


NOTES  
 COMPONENTS USED  
 R231 - R277  
 C141 - C152  
 IC26 - IC35  
 LD1 - LD4, LD5 - LD4  
 SW1 - SW5, SW11 - SW4  
 RN1 - RN6  
 JB - JB  
 CN1 - CN2  
 D26 - D28

DRN. CJH

TITLE  
 B400 STEREO/TELCO  
 INPUT MODULE  
 DRG NO. ED3819C

| INITIAL | ISSUE | DATE     |
|---------|-------|----------|
| RNJS    | 3:06  | 02/05/00 |



NOTES

- COMPONENTS USED  
R281 - R355  
C171 - C178, C180 - C183  
D27 - D41  
TR14 - TR25, TR27, TR28  
IC36 - IC44  
LD17 - LD21  
RL1 - RL4  
SW17 - SW19, SW21  
CNS
- SW21 IS AN 8 WAY DIL SWITCH
- SW21-A CLOSURE DISABLES THE DUAL ACTION OF SW  
SW21-B CLOSURE ENABLES CUE CANCEL FROM FADER OPEN  
SW21-C CLOSURE ENABLES LATCHING START LINE 1  
SW21-D CLOSURE ENABLES MOMENTARY START IN LINE 1  
SW21-E CLOSURE ENABLES LATCHING START IN LINE 2 FROM FADER/ON AND PFL  
SW21-F CLOSURE ENABLES MOMENTARY START IN LINE 2  
SW21-G CLOSURE ENABLES LINE 2 MOMENTARY START/STOP FROM PFL  
SW21-H CLOSURE ENABLES LINE 2 MOMENTARY START/STOP FROM PFL
- DEFAULTS  
OPEN  
CLOSED  
OPEN } BOTH CAN NOT BE CLOSED OR OPEN  
CLOSED  
OPEN } BOTH CAN NOT BE CLOSED OR OPEN  
CLOSED  
CLOSED  
CLOSED } ONLY ACTIVE WHEN SW2-D IS CLOSED  
CLOSED } ONLY ACTIVE WHEN SW2-F IS CLOSED

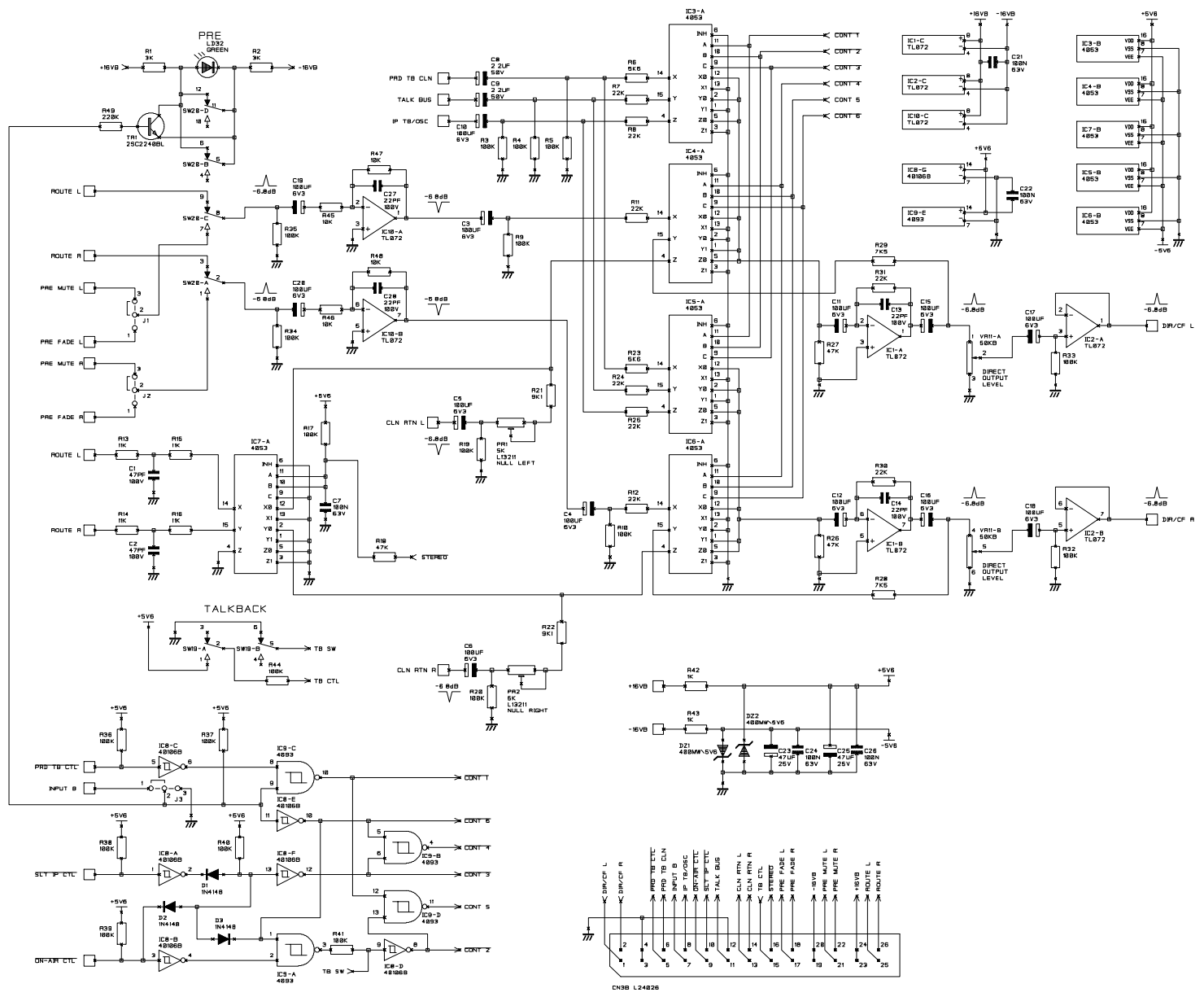
DRN.

CJH

TITLE  
B400 STEREO/TELCO  
INPUT MODULE LOGIC

DRG NO  
ED3819D

| INITIAL | ISSUE | DATE     |
|---------|-------|----------|
| CJH     | 3     | 14/08/97 |



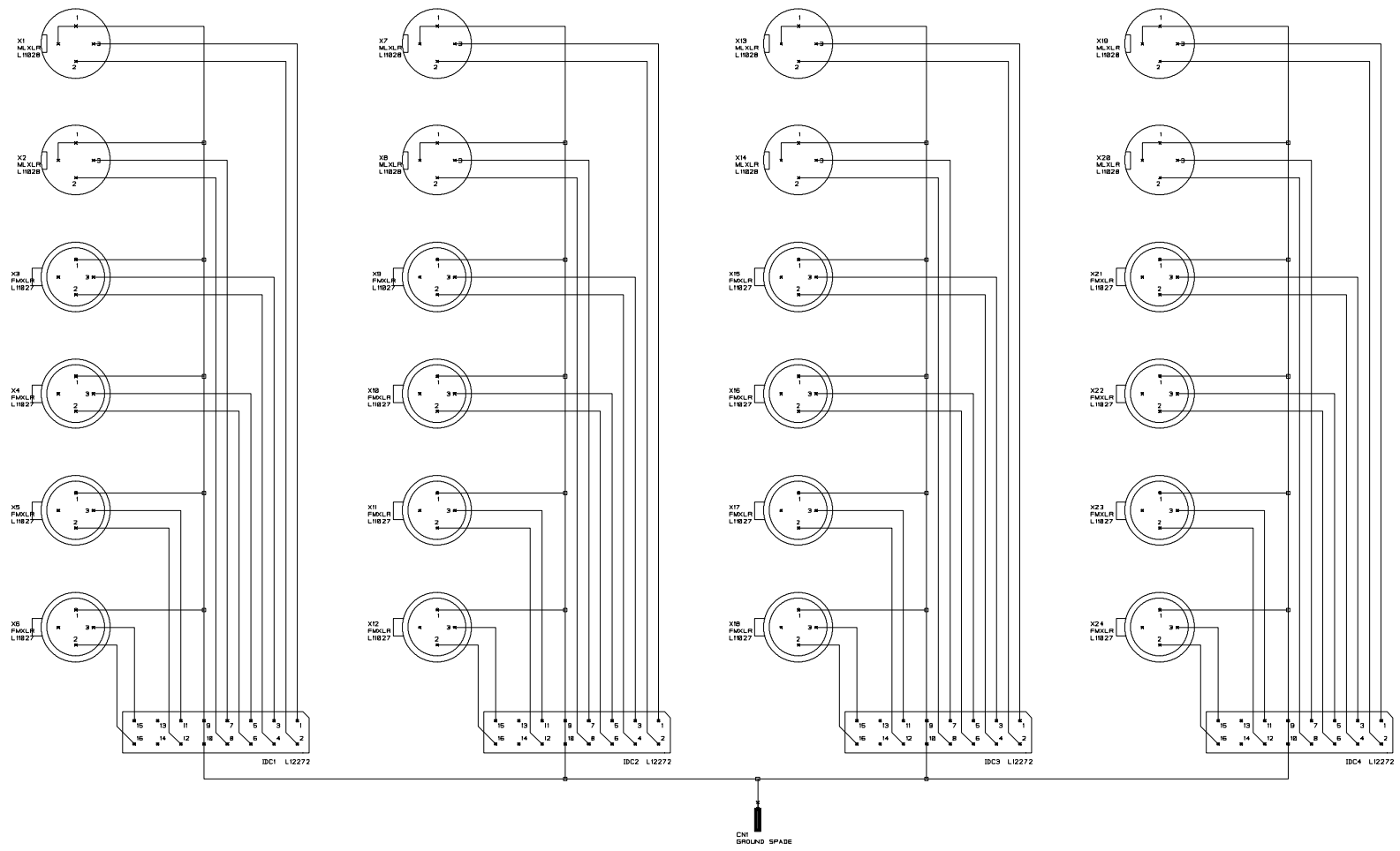
**NOTES**  
 COMPONENTS USED  
 R1 - R49  
 C1 - C26  
 IC1 - IC9  
 D1 - D3  
 D21 - D22  
 SW19 - SW28  
 PR1 - PR2  
 CN300  
 L932  
 VRI1

J3 PINS 1 & 2 ENABLES CLEANFEED TO DIRECT OUTPUT ON INPUT B  
 J3 PINS 2 & 3 DISABLES CLEANFEED TO DIRECT OUTPUT  
 REMOVE R44 TO DISABLE MONITOR DIM ON TALKBACK

DRN.  
 CJH

TITLE  
 B400 STEREO/TELCO  
 INPUT SUB BOARD

DRG NO.  
 ED3820



NOTES

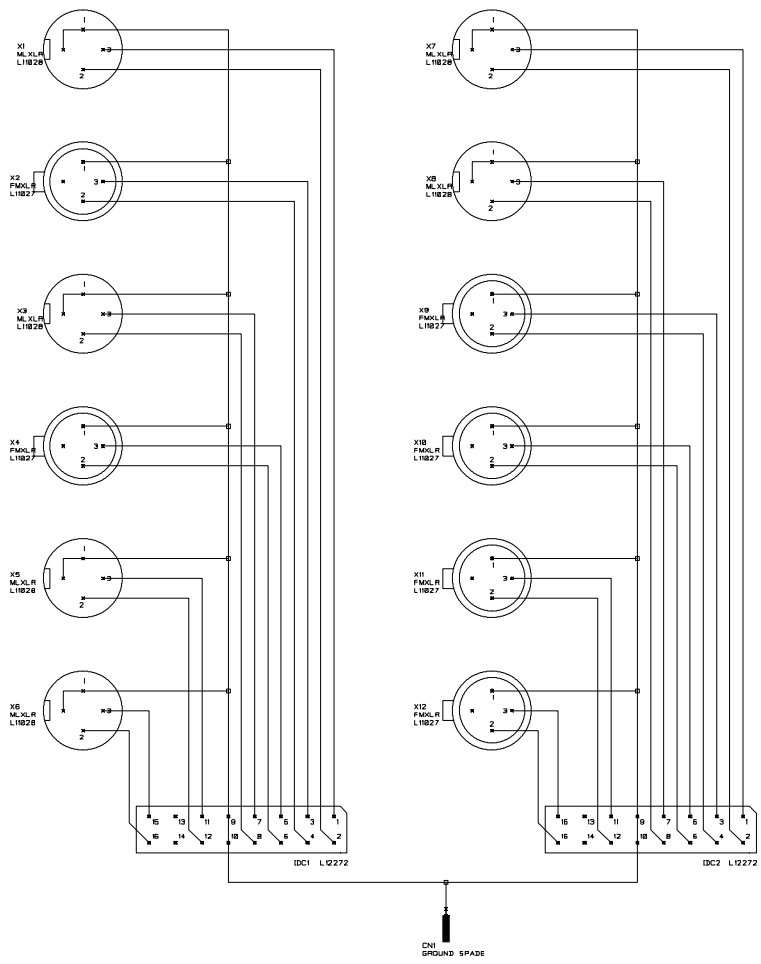
DRN.

TITLE  
B400 4 WAY I/P-GROUP  
REAR CONNECTOR PANEL

DRG NO. ED3821

DRG NO. ED3822

| INITIAL | ISSUE | DATE     |
|---------|-------|----------|
| PRH     | 1     | 05/12/96 |



NOTES

DRN.

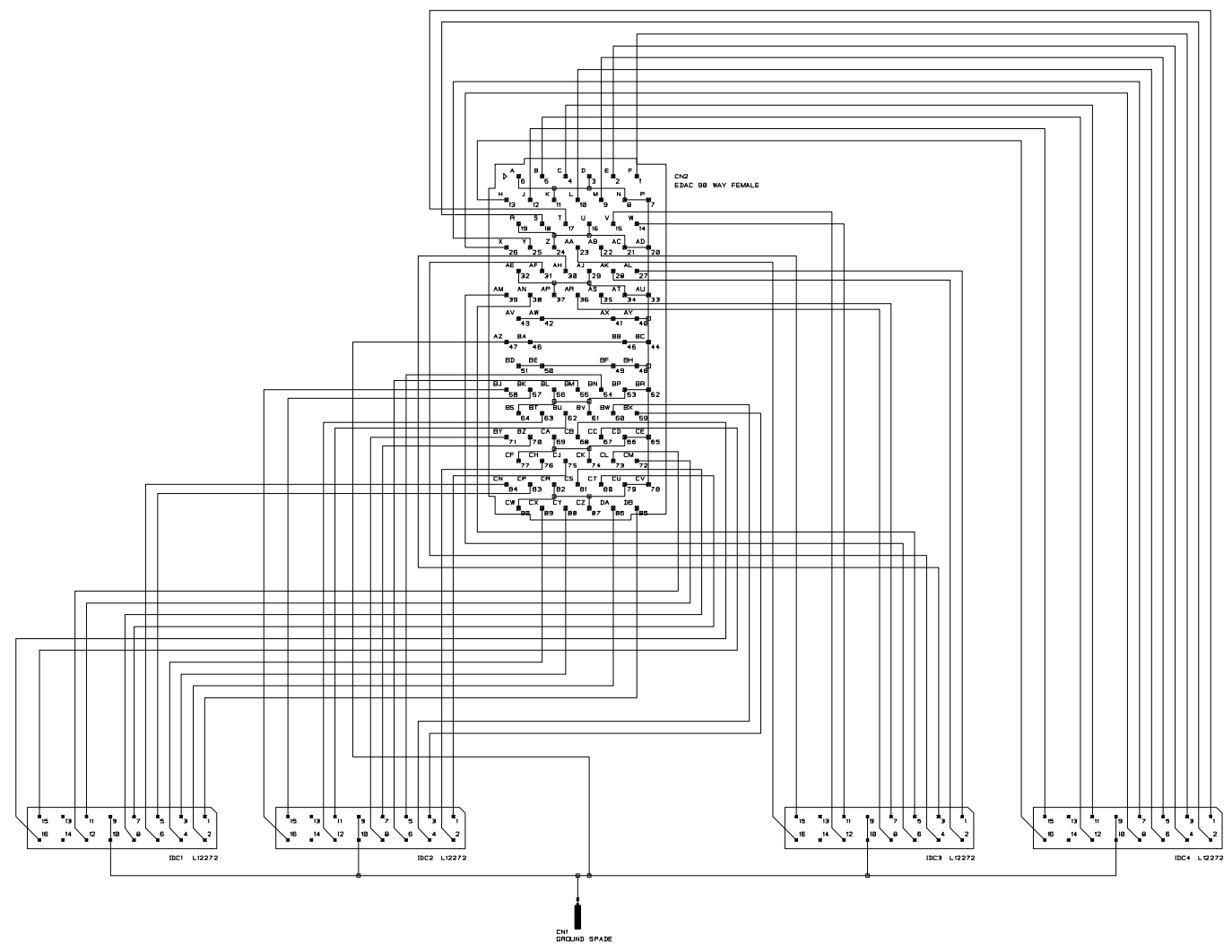
TITLE  
B400 MASTER PLUS  
REAR CONNECTOR PANEL

DRG NO. ED3822

EDAC 90 WAY FEMALE WIRING DETAILS

PANEL VIEWED FROM REAR OF CONSOLE  
MODULES FROM RIGHT TO LEFT

| MODULE 1         | HOT | COLD | SCREEN |
|------------------|-----|------|--------|
| INPUT A LEFT     | H   | J    | A      |
| INPUT A RIGHT    | B   | C    | K      |
| INPUT B LEFT     | L   | M    | D      |
| INPUT B RIGHT    | E   | F    | N      |
| DIRECT OUT LEFT  | X   | Y    | R      |
| DIRECT OUT RIGHT | S   | T    | Z      |
| MODULE 2         |     |      |        |
| INPUT A LEFT     | AA  | AB   | U      |
| INPUT A RIGHT    | V   | W    | AC     |
| INPUT B LEFT     | AM  | AN   | AE     |
| INPUT B RIGHT    | AF  | AH   | AP     |
| DIRECT OUT LEFT  | AR  | AS   | AJ     |
| DIRECT OUT RIGHT | AK  | AL   | AT     |
| MODULE 3         |     |      |        |
| INPUT A LEFT     | BJ  | BK   | BS     |
| INPUT A RIGHT    | BT  | BU   | BL     |
| INPUT B LEFT     | BM  | BN   | BV     |
| INPUT B RIGHT    | BW  | BX   | BP     |
| DIRECT OUT LEFT  | BY  | BZ   | CF     |
| DIRECT OUT RIGHT | CH  | CJ   | CA     |
| MODULE 4         |     |      |        |
| INPUT A LEFT     | CB  | CC   | CK     |
| INPUT A RIGHT    | CL  | CM   | CD     |
| INPUT B LEFT     | CN  | CP   | CW     |
| INPUT B RIGHT    | CX  | CY   | CR     |
| DIRECT OUT LEFT  | CS  | CT   | CZ     |
| DIRECT OUT RIGHT | DA  | DB   | CU     |



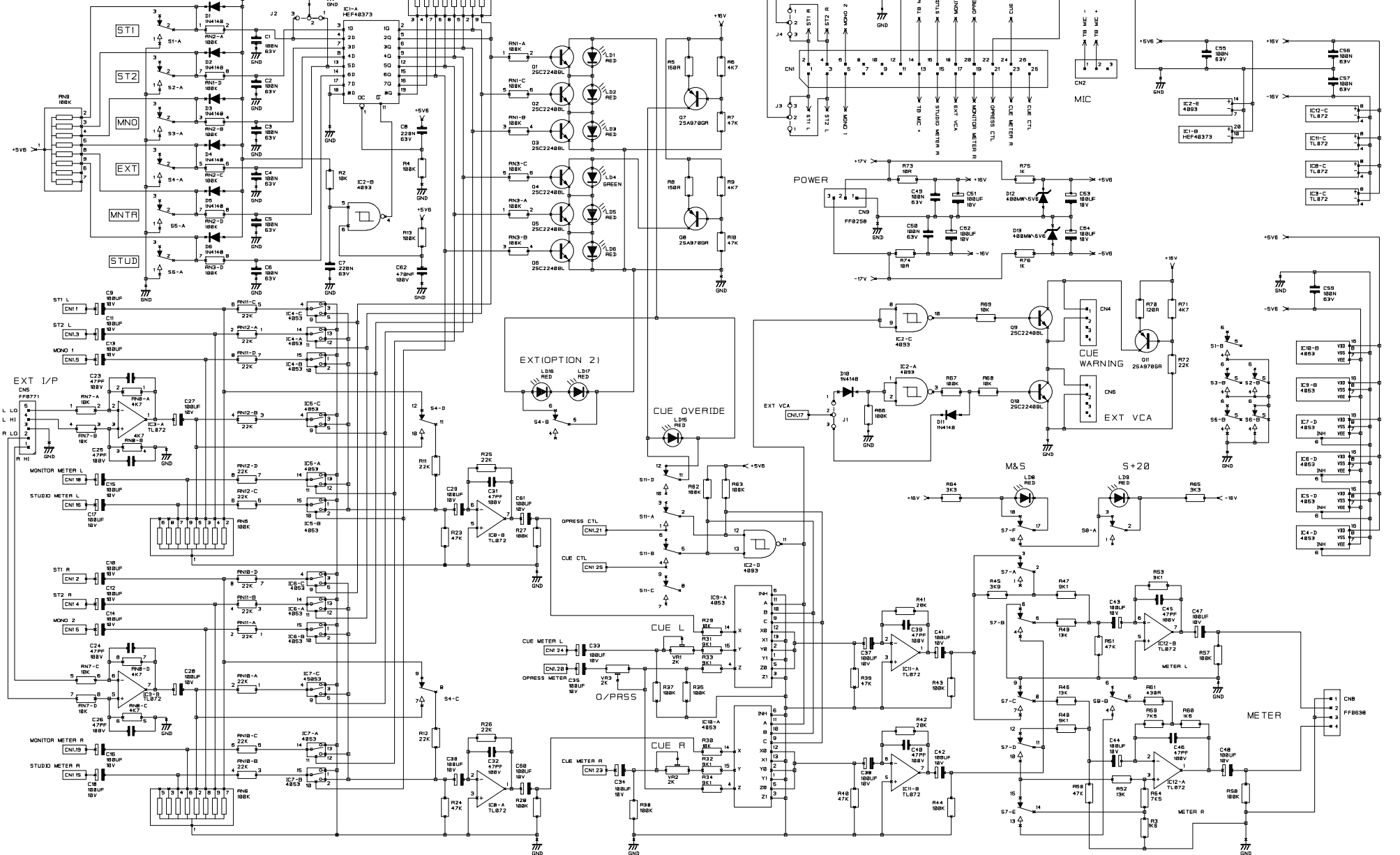
NOTES  
COMPONENTS USED  
IDC1 - IDC4  
CNI - CN2

DRN.  
CJH

TITLE  
B400 4 WAY I/P EDAC  
REAR CONNECTOR PANEL

DRG NO.  
ED3885





NOTES

COMPONENTS USED  
 R1 - R70 S1 - S11  
 C1 - C81  
 D1 - D10  
 LD1 - LD7  
 Q1 - Q1  
 RN1 - RN12  
 CN1 - CN6  
 P1 - P8  
 IC1 - IC12

VERSION 1  
 S4 IS TWO POLE MOMENTARY DF8528  
 LD18, LD19 NOT FITTED  
 RN1, RN2 NOT FITTED

VERSION 2  
 S4 IS FOUR POLE LATCHING DF8538  
 LD1 - LD18 NOT FITTED  
 Q1 - Q8 NOT FITTED  
 RN1 - RN4 NOT FITTED  
 RN5 - RN12 NOT FITTED  
 D1 - D8 NOT FITTED  
 C1 - C8 NOT FITTED  
 IC1 AND IC4 - IC7 NOT FITTED

J1 - FIT 1-2 - ACTIVE HIGH  
 2-3 - ACTIVE LOW  
 EXT VCA CONTROL INPUT

J2 - FIT 1-2 - MONITOR \*  
 2-3 - ST1  
 METER SOURCE ON START UP

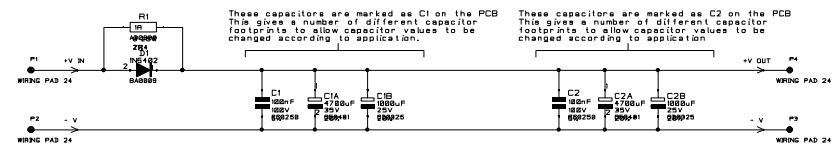
J3, J4 - FIT 1-2 - 0488  
 FIT 1-3 - 0808  
 SECONDARY METERS SOURCE

DRN.

CJH/CB

TITLE

B800/B400  
 PH.2 METER  
 METER SELECT



SOUNDCRAFT OWNS THE COPYRIGHT OF THIS DRAWING WHICH IS NOT TO BE COPIED, IN PART OR IN WHOLE TO A THIRD PARTY WITHOUT WRITTEN PERMISSION.

NOTES

DRN.  
RAS  
10-11-98

SOUNDCRAFT  
HARMAN INT. INDUSTRIES LTD.  
CRANBORNE HOUSE,  
CRANBORNE ROAD,  
POTTERS BAR,  
HERTS ENG 3JN  
TEL: 01707 665000  
FAX: 01707 660482

TITLE  
B400/800  
FAN FILTER PCB

DRG NO.  
ED 4031