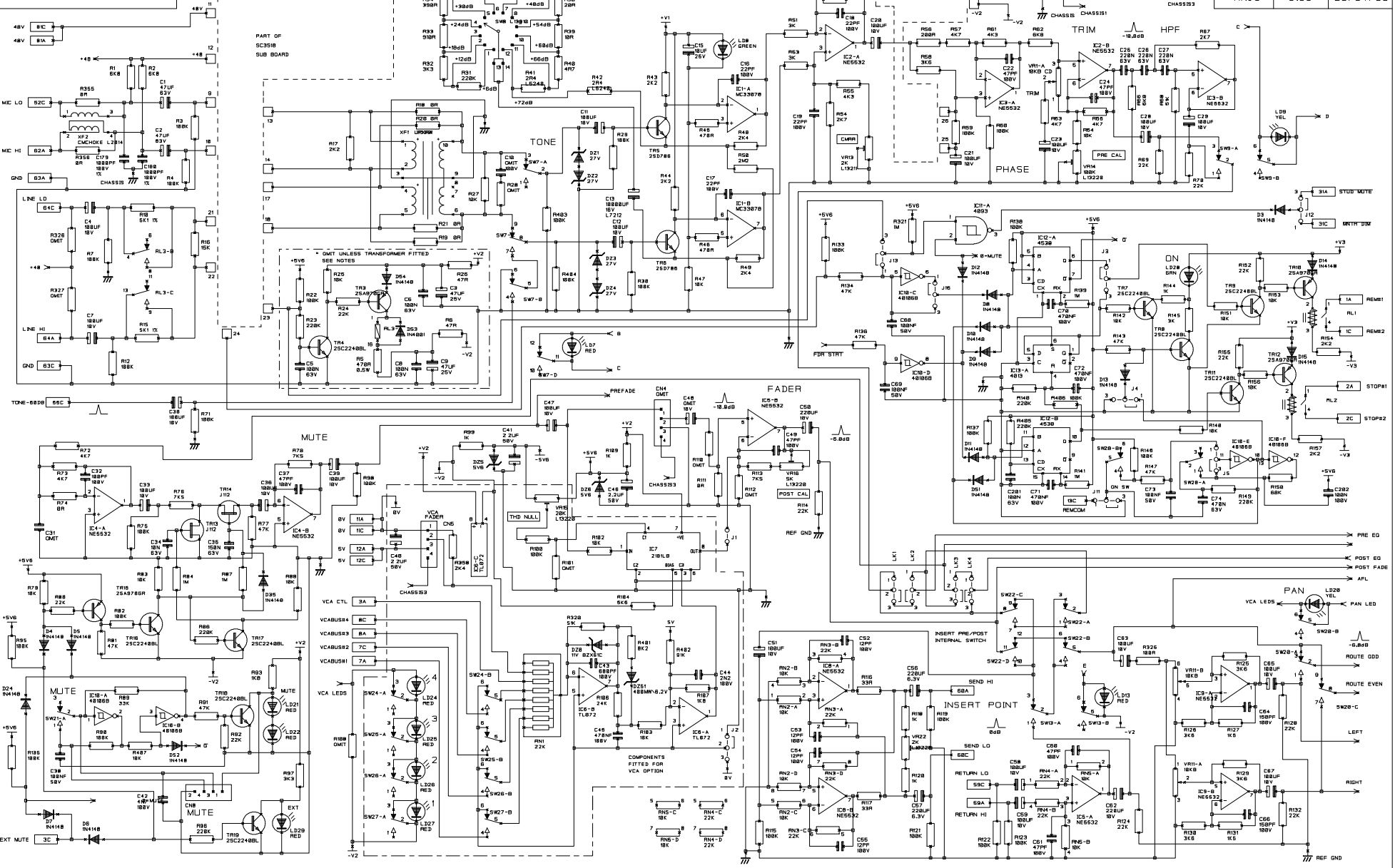


DRG NO. ED 3511A

INITIAL	ISSUE	DATE
RNJS	8.06	28/04/00



NOTES
 ELECTRONIC BAL I/P
 OMIT XF1, RL3, D53, TR3, TR4
 R5, R6, R23-R26, R28
 C3, C5, C6, C8-C10
 FOR MIC/MIC OPTION (NO XF1)
 FIT R326, R327=6K8
 CHANGE C4, C7 TO 47uF 63V

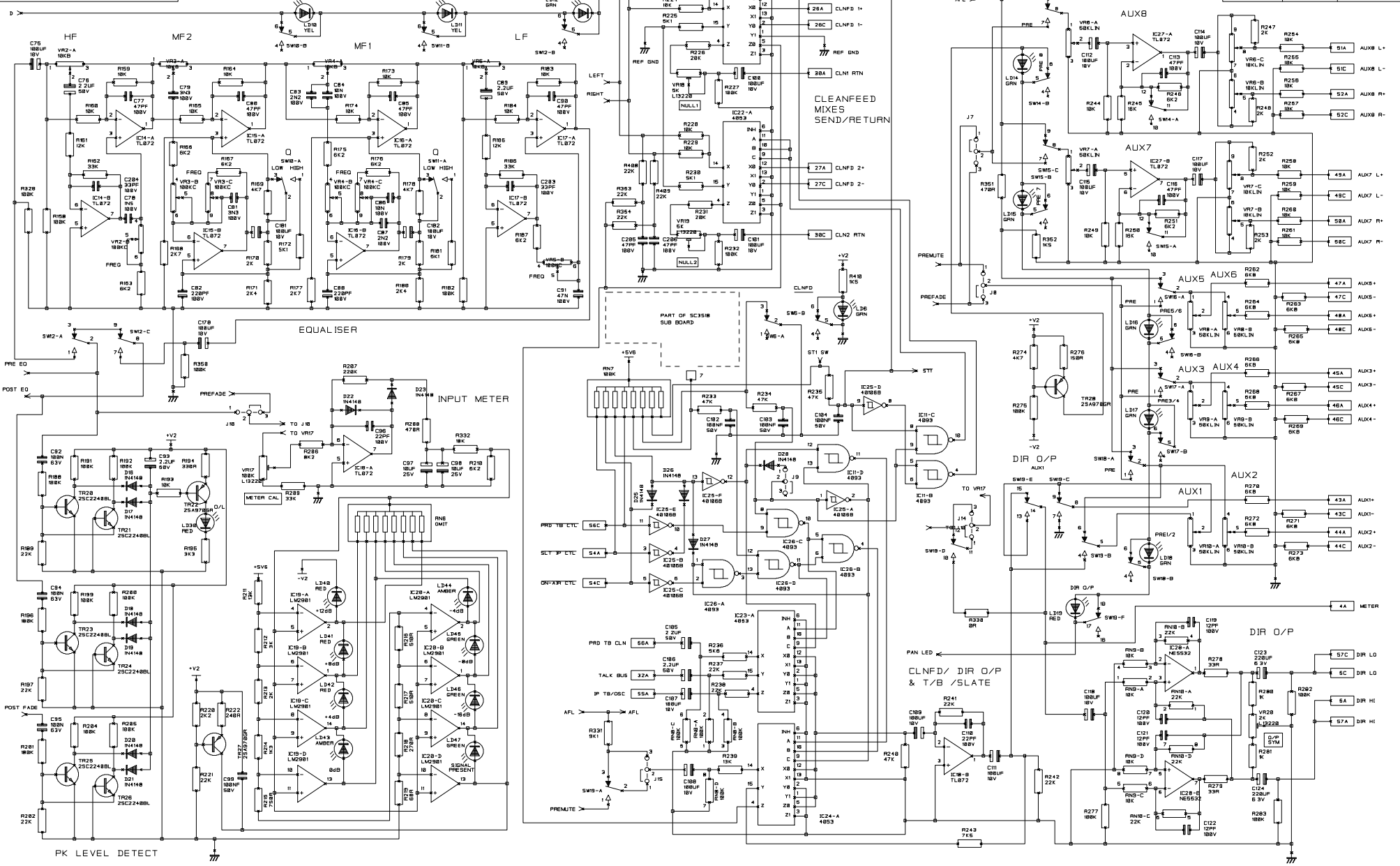
TRANSFORMER OPTION
 FIT C10=2N2, R28=680R
 RL3, XF1
 OMIT R10, R15, R18-R21
 REPLACE C12 WITH LINKS
 CHANGE R17 (2K2) TO 5K1
 R16 (15K1) TO 10K

LINKS
 LK1,2,3,4 INSERT PRE FADE
 JUMP 1-2 = PRE EQ
 JUMP 2-3 = POST EQ (DEFAULT)
 J1 FIT FOR VCA OPTION.

DRN	CB/VCR

TITLE B800
 MONO INPUT MODULE
DRG NO. ED 3511A
 SH. 1 OF 3

INITIAL	ISSUE	DATE
RNJS	8.06	28/04/00



NOTES

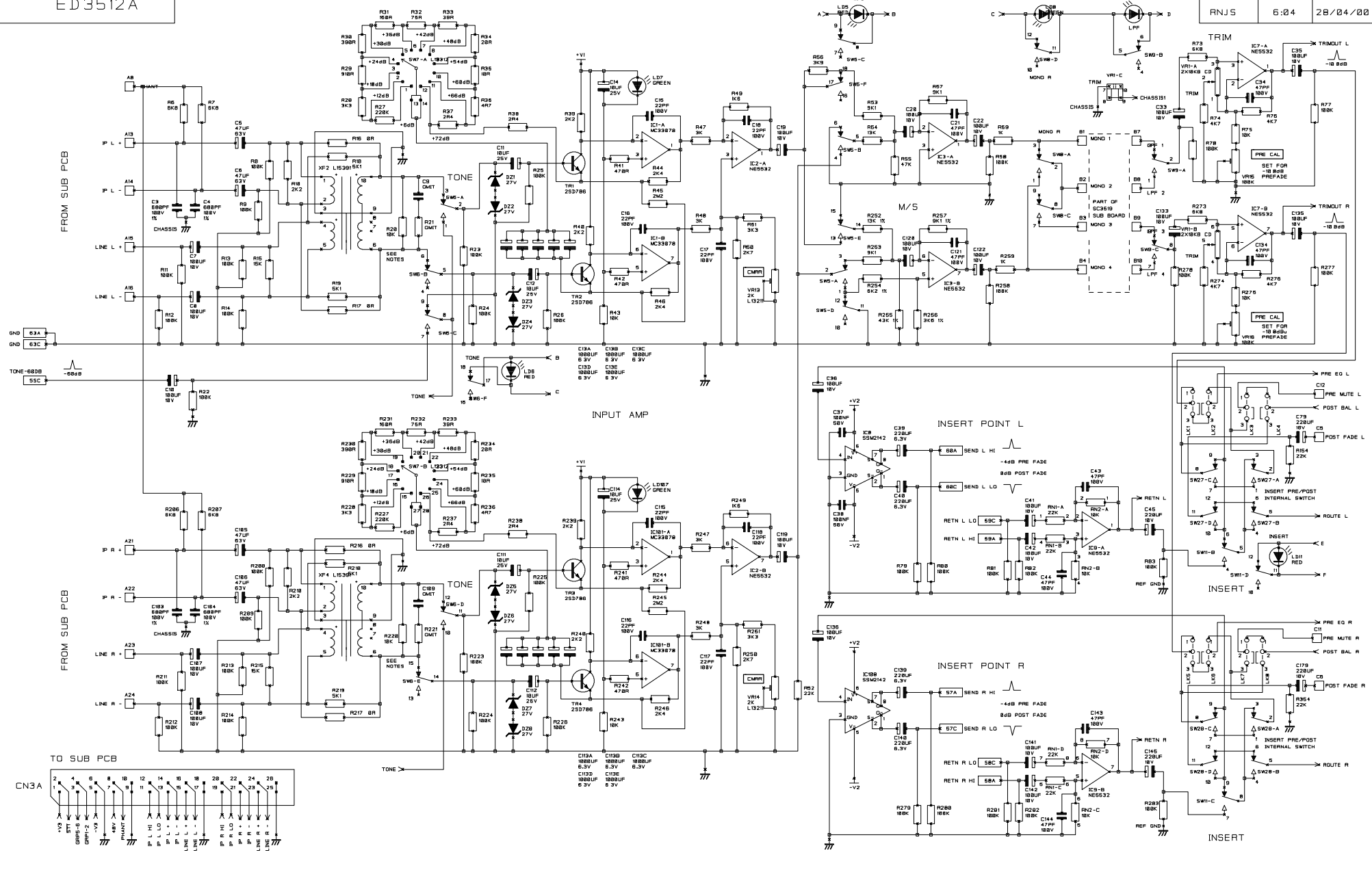
J15 - DIR OUTPUT
 FIT J15, 1-2 FOR DIR OUTPUT - PREMUTE
 FIT J15, 2-3 FOR DIR OUTPUT - AFL

R938 - METER FEED BALAST FOR PRE/POST FADE LEVEL SHIFT
 R939 - 10K FOR LINE UP TO +6dB
 R938 - 10K FOR LINE UP TO 0dB

DRN. CB/VCR

TITLE B800
 MONO INPUT MODULE

DRG NO. ED 3511B



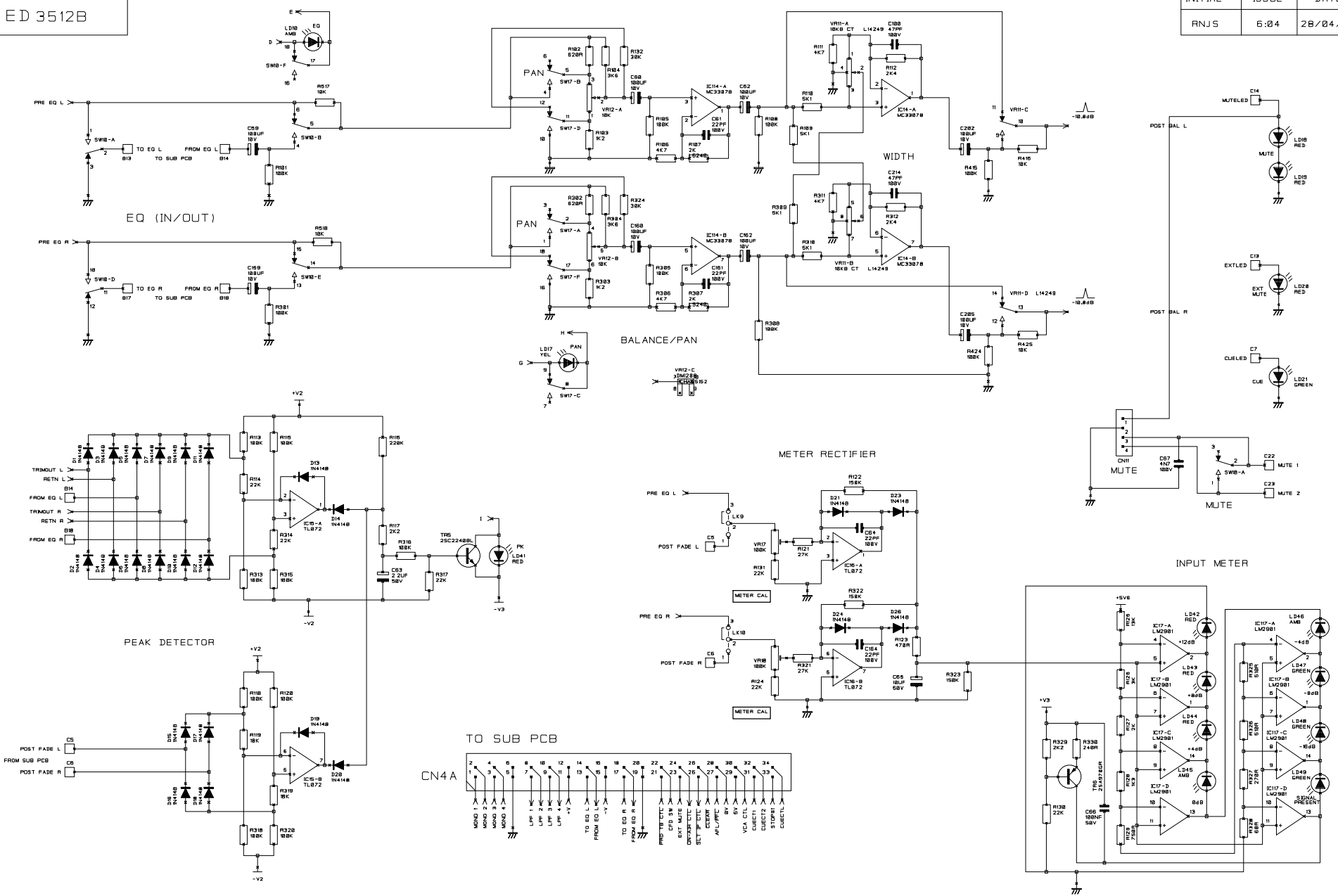
NOTES ELECTRONIC BALANCED INPUT (STD)
 OMIT XF2, XF4, R21, R22, C9, C10
 TRANSFORMER OPTION
 FIT R21, R22 = 680R; C9, C10 = 2N2/100V
 OMIT R11-19, R211-219
 OMIT R8, 9, R208, 209
 CHANGE R10, R210 (2K2) TO 5K1
 REPLACE C5-8, C105-108 WITH LINKS

LINKS
 LK1, 2, 3, 4, 5, 6, 7, 8 = INSERT PRE FADE
 SET JUMP 1-2 = PRE EQ
 JUMP 2-3 = POST EQ (DEFAULT)

DRN. CB/PH

TITLE B800
 STEREO INPUT MODULE
 MAIN PCB

INITIAL	ISSUE	DATE
RNJS	6:04	28/04/00



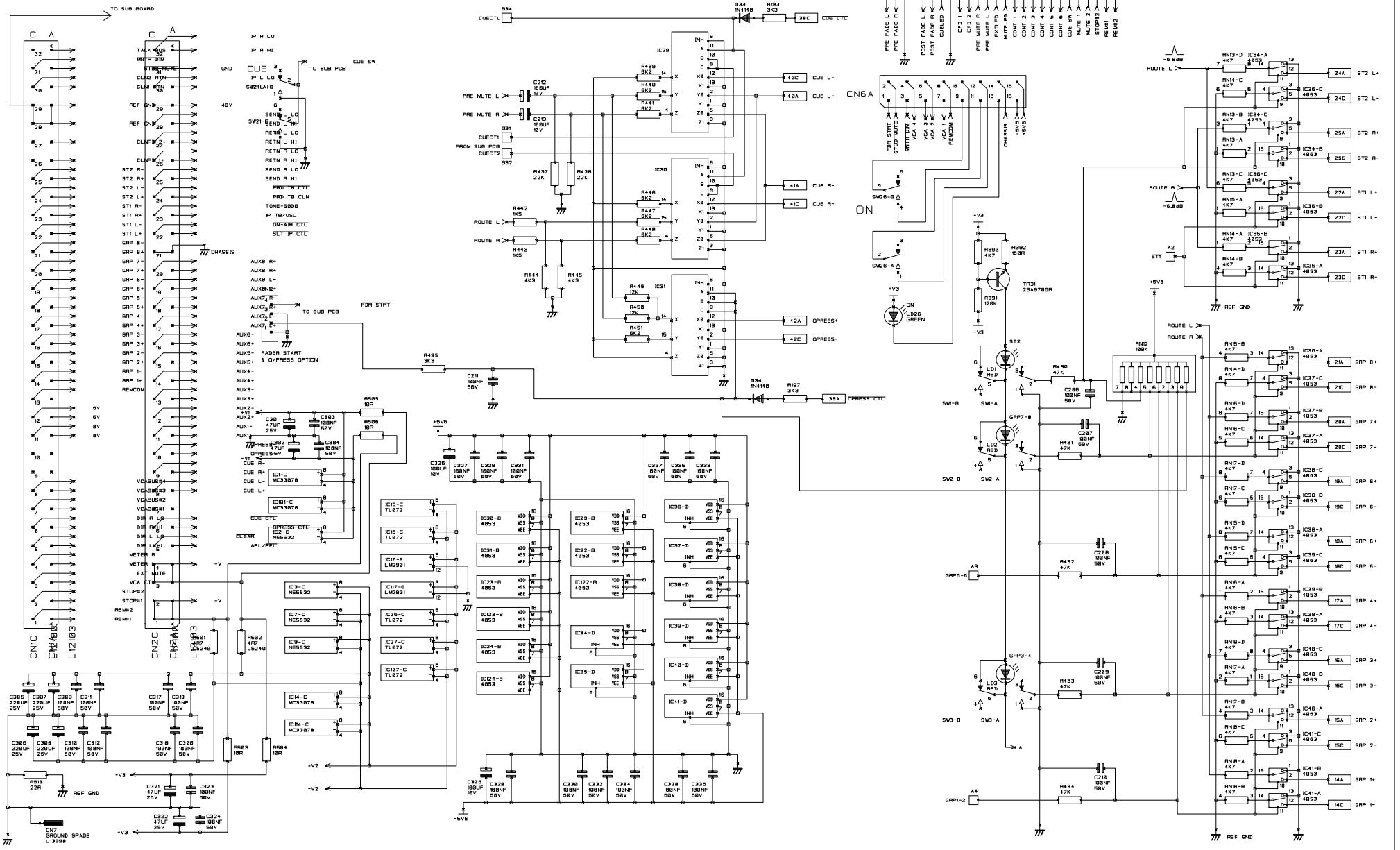
NOTES

DRN.

CB/PH

TITLE B800
STEREO INPUT MODULE
MAIN PCB

DRG NO. ED 3512B



TO SUB BOARD

C 32	TALK
A 31	STANDBY
C 30	CL2 R
A 29	CL2 L
C 28	REF SW
A 27	REF SW
C 26	CLF R
A 25	CLF L
C 24	ST2 R
A 23	ST2 L
C 22	ST1 R
A 21	ST1 L
C 20	GRP 8
A 19	GRP 7
C 18	GRP 6
A 17	GRP 5
C 16	GRP 4
A 15	GRP 3
C 14	GRP 2
A 13	GRP 1
C 12	REMCW
A 11	5V
C 10	5V
A 9	5V
C 8	5V
A 7	5V
C 6	5V
A 5	5V
C 4	5V
A 3	5V
C 2	5V
A 1	5V

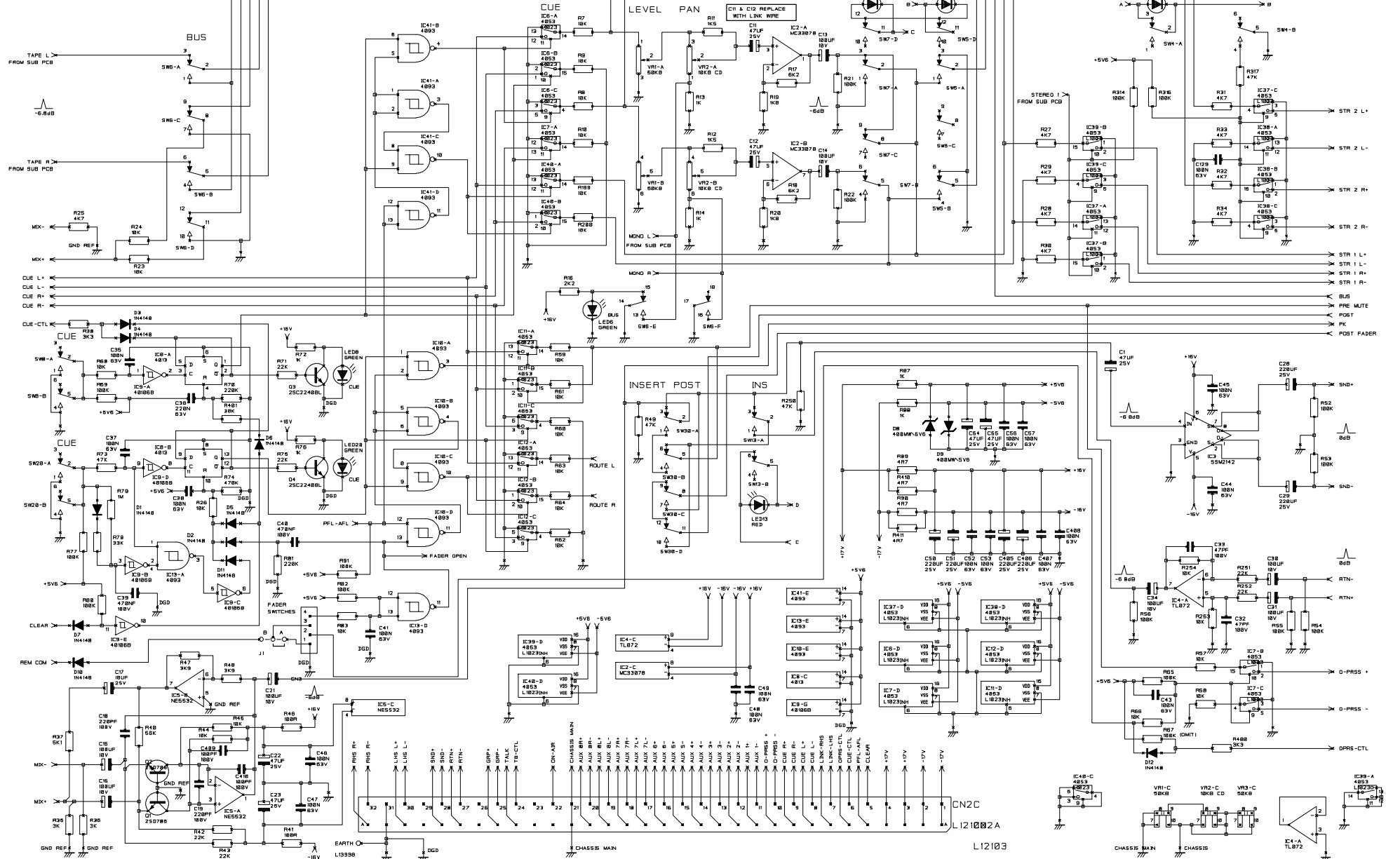
NOTES

DRN. CB/PH

TITLE B800 STEREO INPUT MODULE MAIN PCB

DRG NO. ED 3512D

Sht. 4 of 4



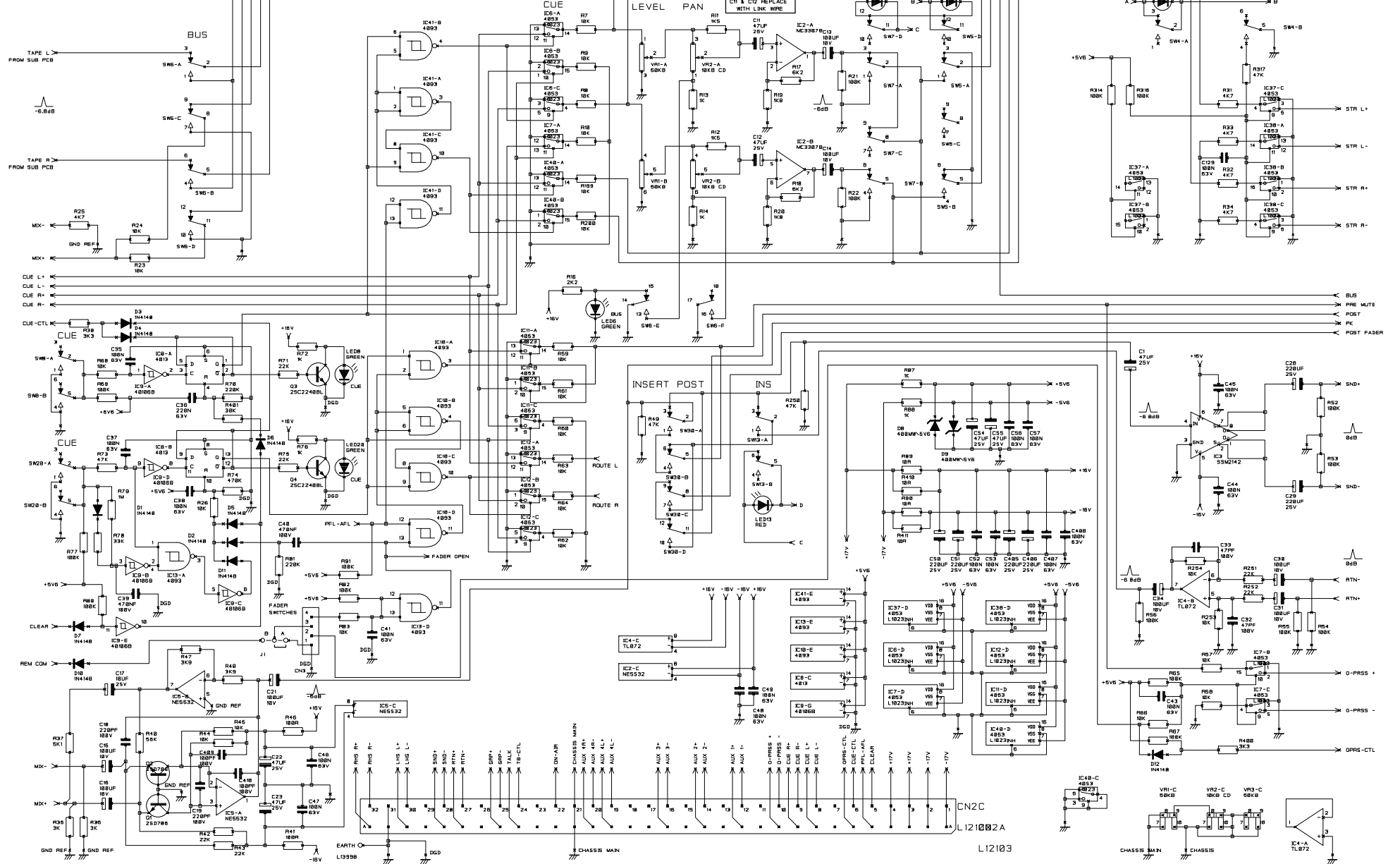
NOTES
 PLACE J1 IN POSITION B FOR
 FADER OPEN OPERATED FROM REM COMMON.

DRN. CJH/VCR

TITLE
 B800 MONO GROUP
 OUTPUT MAIN PCB

DRG NO
 ED3513A

INITIAL	ISSUE	DATE
RNJS	7:01	03/05/00

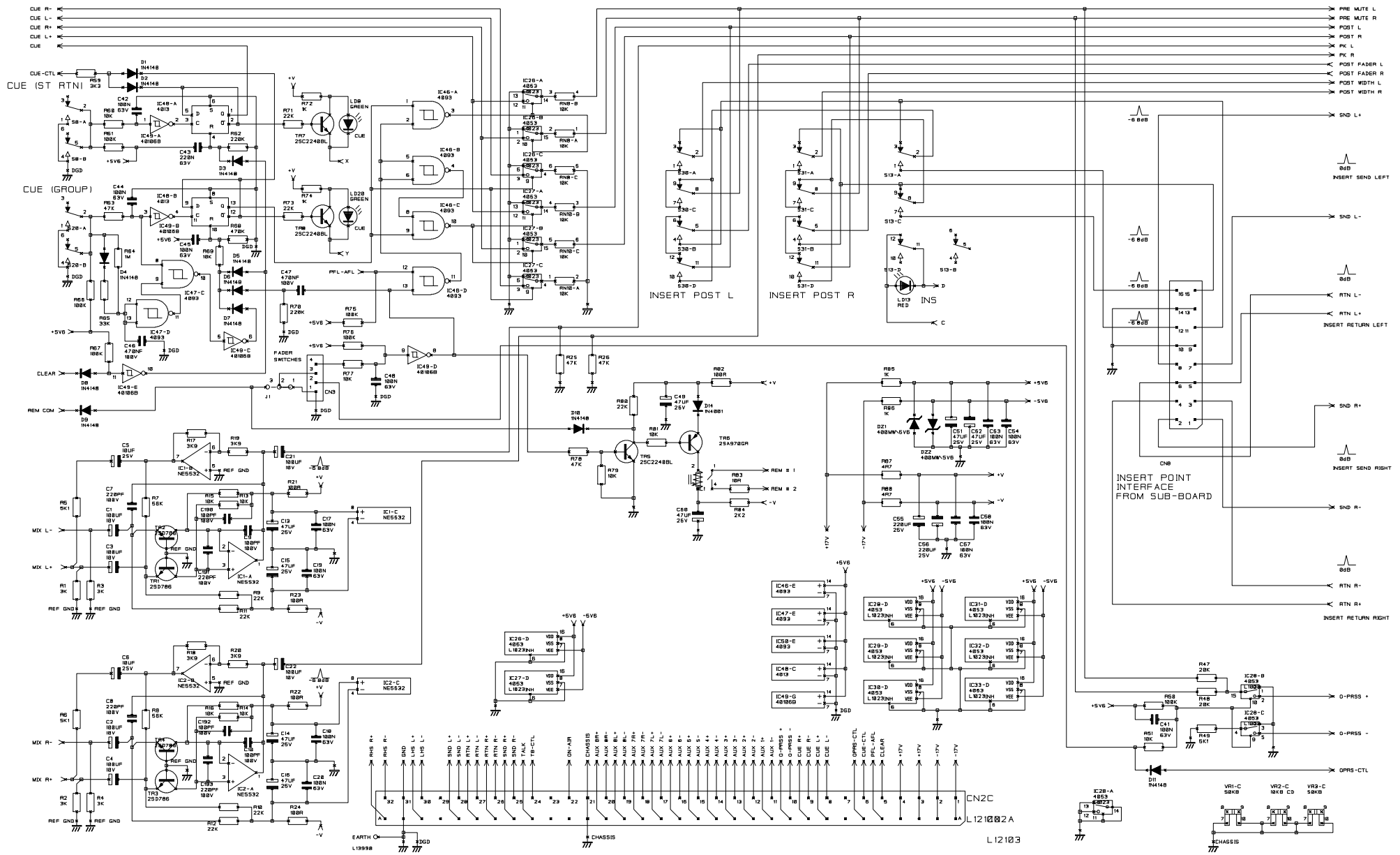


NOTES
PLACE J1 IN POSITION B FOR
FADER OPEN OPERATED FROM REM COMMON.

DRN. CJH/VCR

TITLE
B400 MONO GROUP
OUTPUT MAIN PCB

DRG NO.
ED 3513D



NOTES

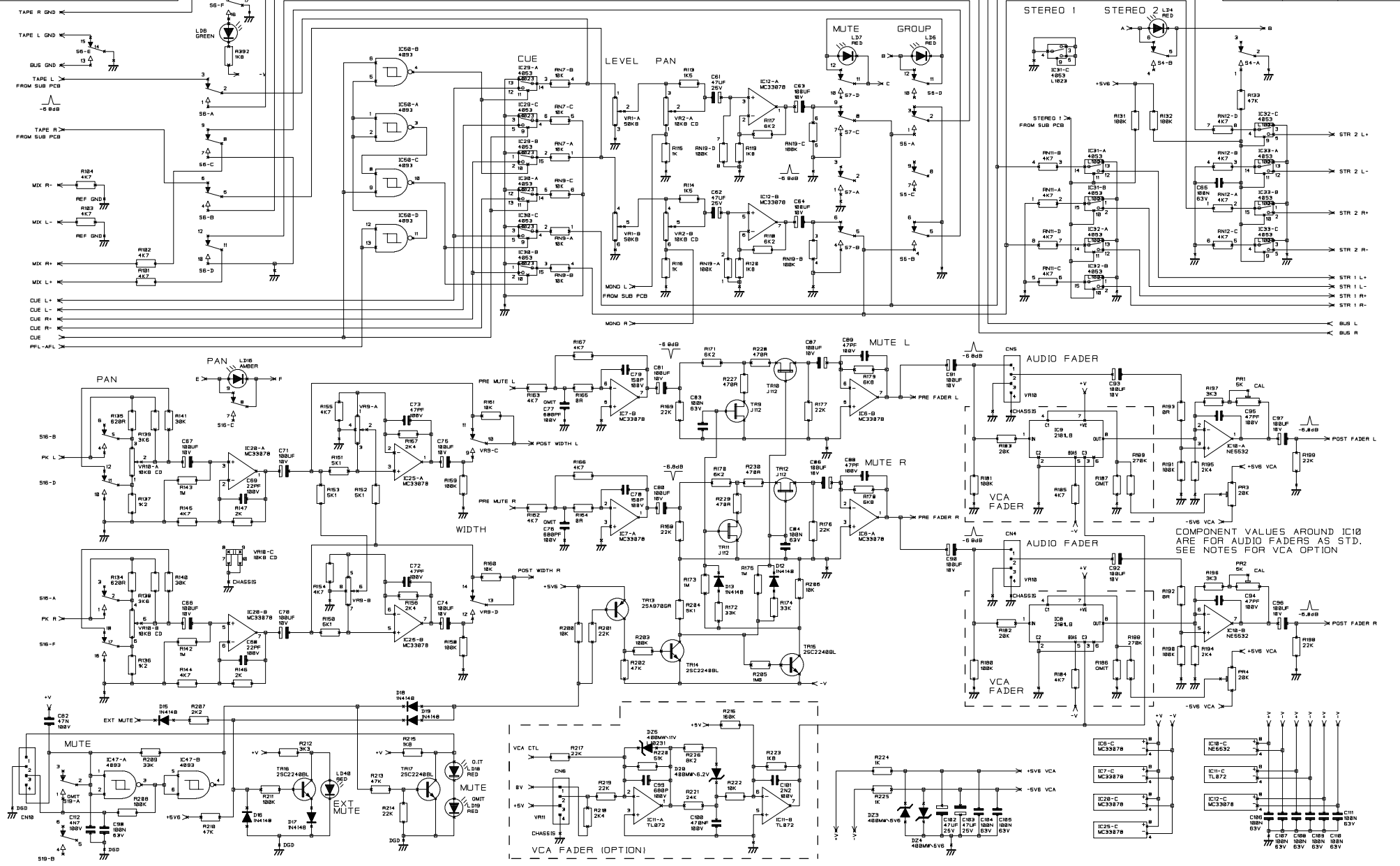
- COMPONENTS USED
 R1 - R26, R47 - R52, R59 - R88
 C1 - C22, C41 - C58
 D1 - D11, D14
 TR1 - TR8
 D21 - D22
 CN2 - CN9, CN8
 RL1
 J1

PLACE J1 ON PINS 2 & 3 FOR
 FADER OPEN OPERATED FROM REM COMMON.

DRN. CJH

TITLE
 B800 STEREO GROUP
 OUTPUT MAIN PCB

DRG NO. ED3514A



NOTES

COMPONENTS USED
 R101 - R104, R110 - R112
 R105 - R107, R108 - R126
 C50 - C112
 TR10 - TR17
 D12, D13, D16 - D20
 D23 - D25
 PR1 - PR4
 CM4 - CM7
 C76, C77 & C82 ARE OMITTED

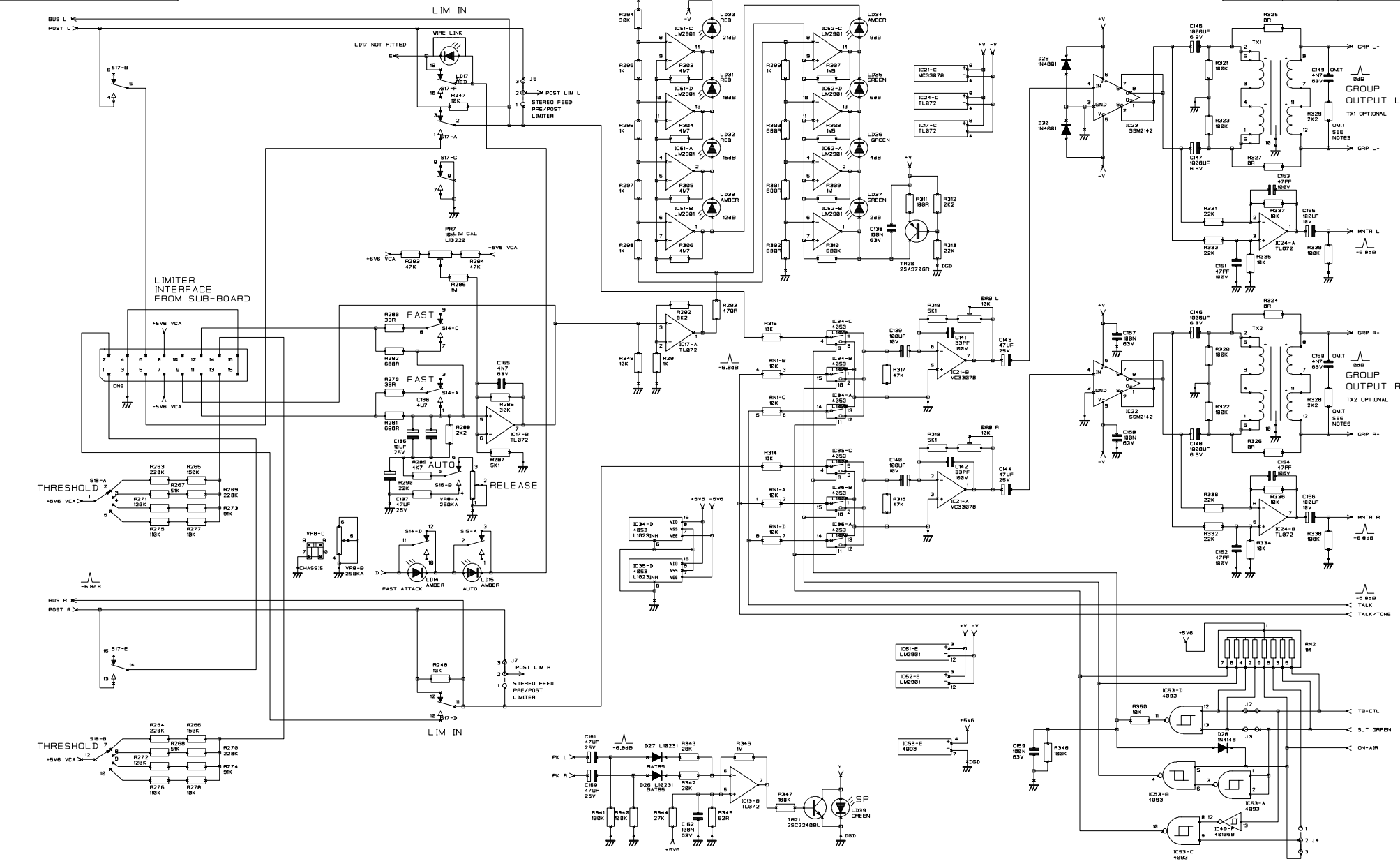
AUDIO FADER
 OMIT THE FOLLOWING COMPONENTS
 R108 - R109, R216 - R223, R226
 IC8, IC9, IC11
 C95 - C101
 PR3, PR4
 CM6
 D25, 26
 COMPONENT VALUES ARE AS MARKED

VCA FADER OPTION
 OMIT THE FOLLOWING COMPONENTS
 CS2, C83, R102 - R106, CM4, CM5
 THE VALUE OF THE FOLLOWING COMPONENTS CHANGE
 R108, R101 ARE 0R.
 R106, R107 ARE 10K
 PR1, PR2 ARE 10K

DRN. CJH

TITLE
 B800 STEREO GROUP
 OUTPUT MAIN PCB

DRG NO. ED3514B



NOTES

COMPONENTS USED
R247, R248, R263 - R358
C135 - C163
D26 - D38
TR28 - TR31
PR7 - PR9
J2 - J4, J7, J8
RN1 - RN2

TRANSFORMER OPTIONS
WITH TRANSFORMERS
FIT C149, C156 40P
FIT R326, R328 2K2
OMIT R324 TO R327
WITHOUT TRANSFORMERS
FIT R324 TO R327 OR
OMIT C149, C156, R326, R328

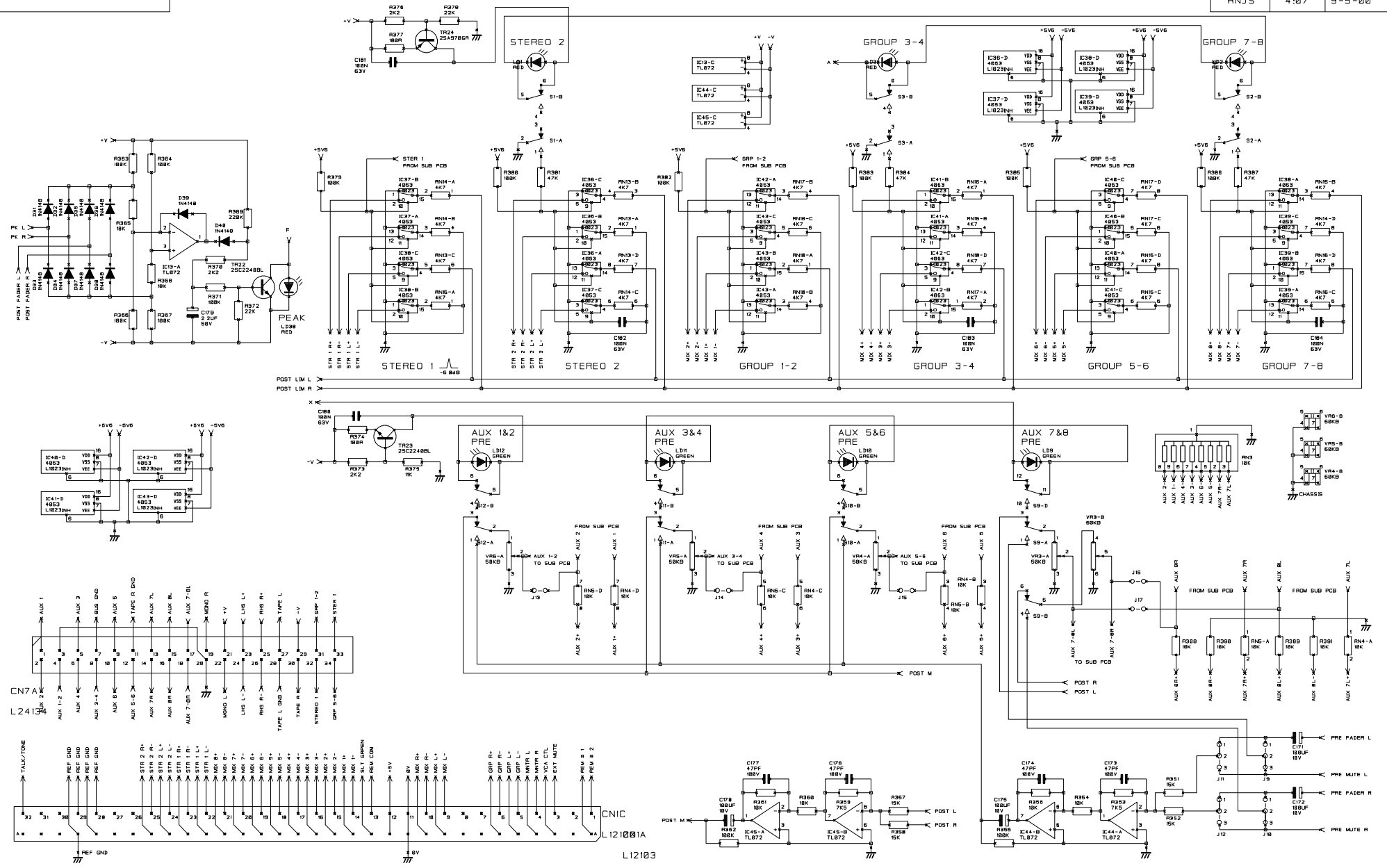
J2 FIT FOR TALKBACK TO REPLACE PRG.
REMOVE FOR TALKBACK TO MX WITH PRG.
J3 FIT FOR SLATE TO REPLACE PRG.
REMOVE FOR SLATE TO MX WITH PRG.
J4 FIT TO PINS 1 & 2 FOR 'ON-AIR' TO KILL TB ENABLE
J5, J7 FIT TO PINS 1 & 2 TO BYPASS LIMITER.

THE FOLLOWING VALUES CHANGE
WHEN THE NOMINAL INPUT LEVEL IS 16dB
R255, R256 - 91K
R259, R266 - 47K
R287 - 5K1

DRN. CJH

TITLE
B800 STEREO GROUP
OUTPUT MAIN PCB

DRG NO
ED3514C



NOTES

COMPONENTS USED
 R351 - R391
 C171 - C184
 D31 - D48
 TR22 - TR24
 J10 - J17
 RN3 - RN5, RN13 - RN18
 CN1: CN7

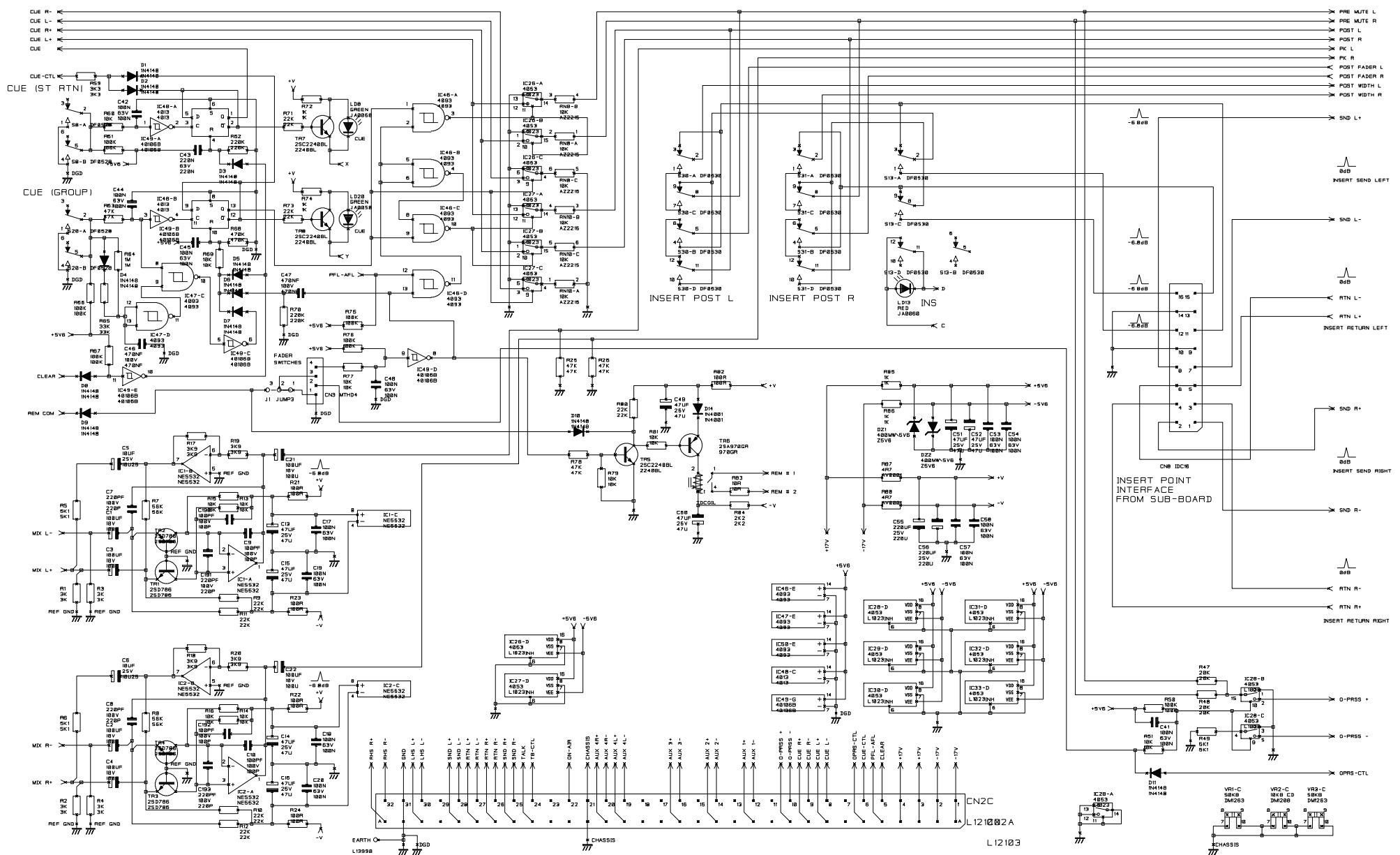
J9, J10 PINS 1 & 2 - PRE FABER, PINS 2 & 3 - PRE MUTE STEREO AUX 7/8
 J11, J12 PINS 1 & 2 - PRE FABER, PINS 2 & 3 - PRE MUTE MOND SUM FOR AUX 1 TO 6
 J13 - J17 NOT USED ON B800

DRN. CJH

TITLE
**B800 STEREO GROUP
 OUTPUT MAIN PCB**

DRG NO. ED3514D

INITIAL	ISSUE	DATE
RNJS	4:07	9-5-00



NOTES

COMPONENTS USED
 R1 - R26, R47 - R52, R59 - R88
 C1 - C23, C41 - C58
 D1 - D11, D14
 TR1 - TR8
 D21 - D22
 CN2 - CN3, CN8
 J1

PLACE J1 ON PINS 2 & 3 FOR FADER OPEN OPERATED FROM REM COMMON.

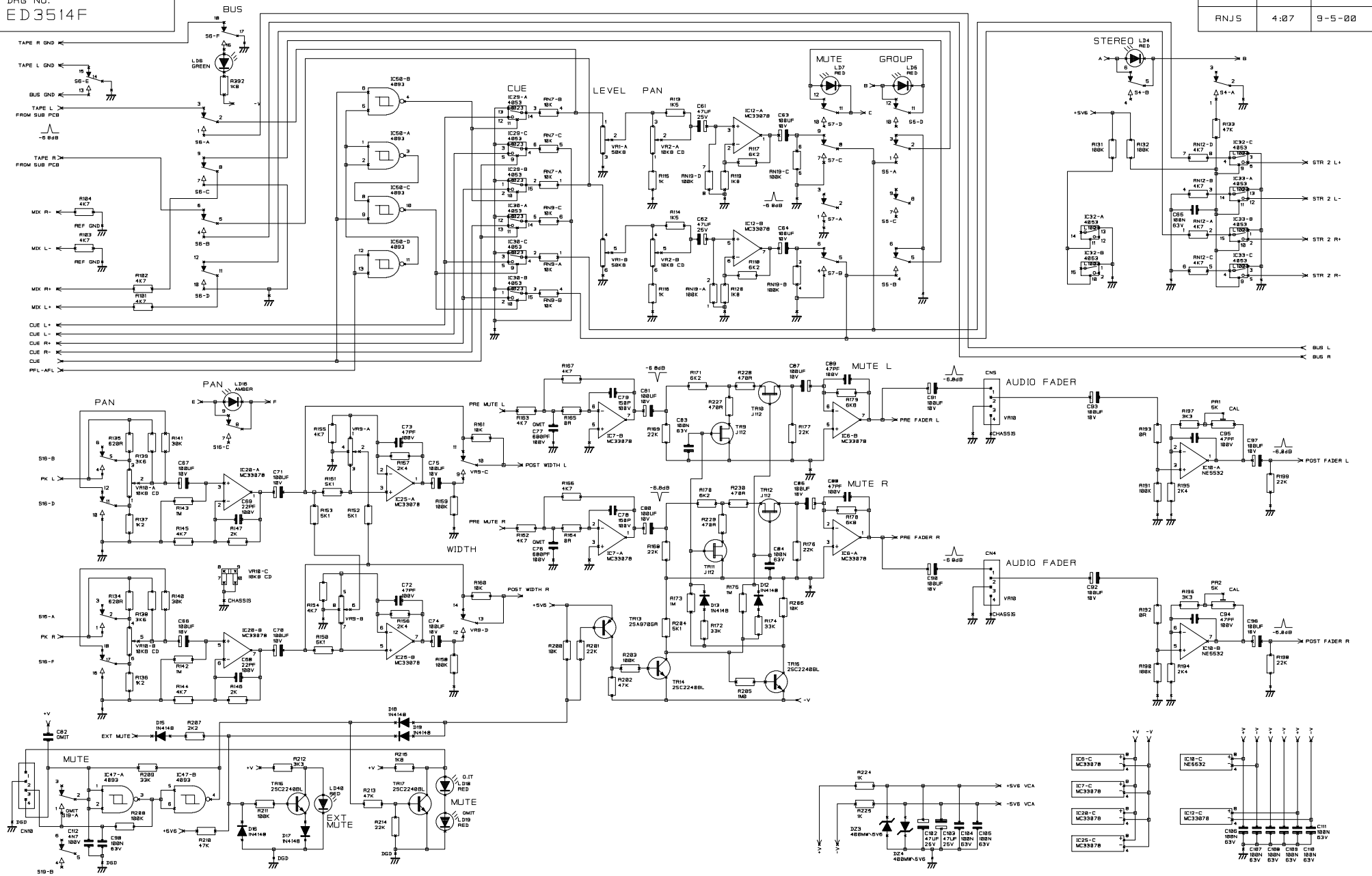
DRN. CJH

TITLE
 B400 STEREO GROUP
 OUTPUT MAIN PCB

DRG NO.
 ED 3514E

DRG NO.
ED 3514F

INITIAL	ISSUE	DATE
RNJS	4:07	9-5-00



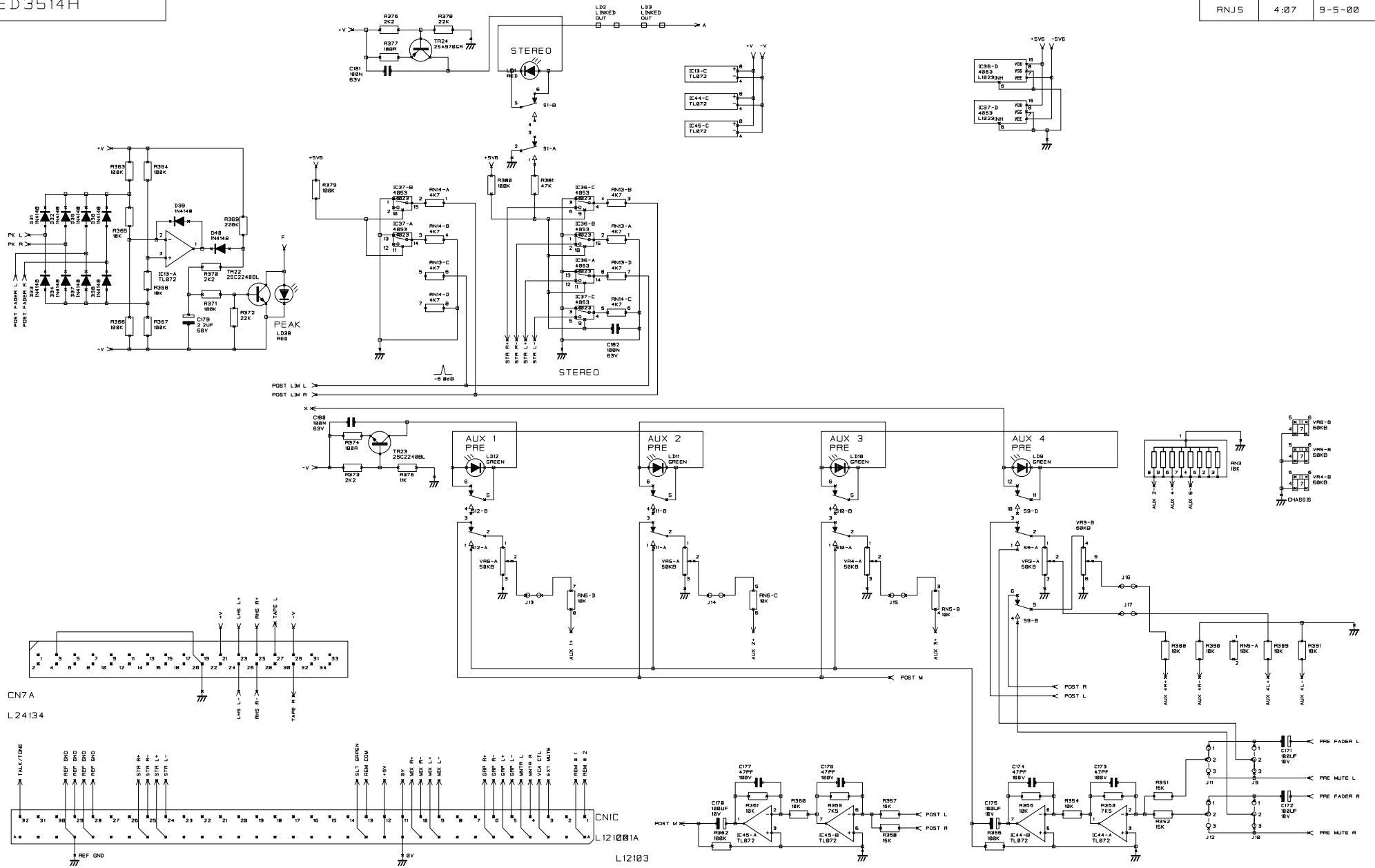
NOTES
 COMPONENTS USED
 R101 - R104, R113 - R122
 R131 - R147, R158 - R228
 C61 - C112
 TR8 - TR9
 D12, D13, D16 - D20
 D29 - D25
 PR1 - PR4
 CN4 - CN7
 R17, R19, R11, R12
 C76 & C77 ARE OMITTED

DRN. CJH

TITLE
 B400 STEREO GROUP
 OUTPUT MAIN PCB

DRG NO.
 ED 3514F

INITIAL	ISSUE	DATE
RNJS	4:07	9-5-00



NOTES

COMPONENTS USED
 R351 - R391
 C171 - C184
 D31 - D49
 TR22 - TR24
 J9 - J17
 RN3 - RN5, RN13 - RN18
 CN1, CN7

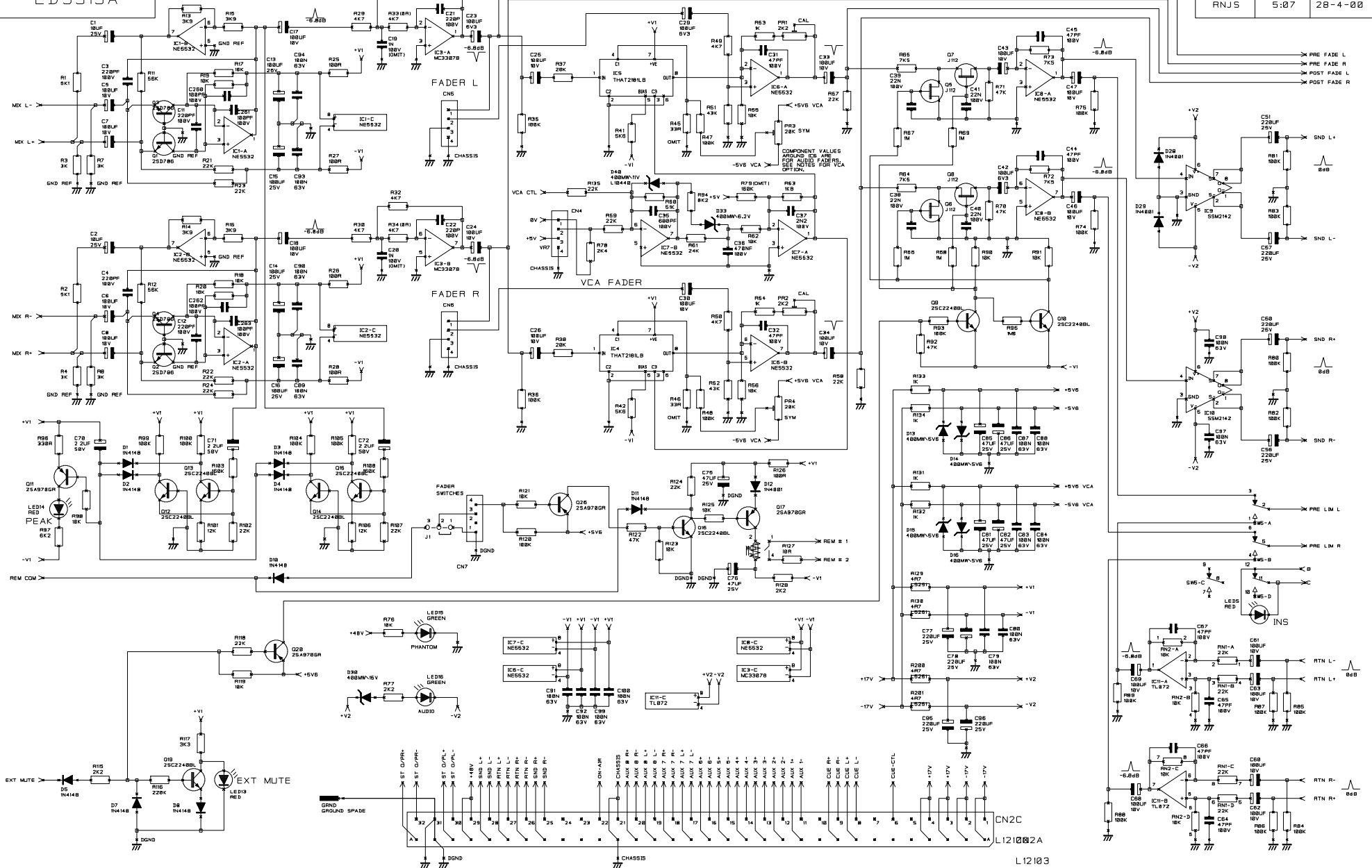
J9, J10 PINS 1 & 2 - PRE FADER, PINS 2 & 3 - PRE MUTE STEREO AUX 7/8
 J11, J12 PINS 1 & 2 - PRE FADER, PINS 2 & 3 - PRE MUTE MONO SUM FOR AUX 1 TO 6.
 J19 - J17 ARE LINKED ON 6400

DRN. CJH

TITLE
 B400 STEREO GROUP
 OUTPUT MAIN PCB

DRG NO.
 ED3514H

INITIAL	ISSUE	DATE
RNJS	5:07	28-4-00



L12103

NOTES

COMPONENTS USED
 R1 - R8, R11 - R30, R41 - R42
 R45 - R48, R49 - R52, R58, R59, R61
 C1 - C28, C29 - C47, C58
 C61, C62, C67, C68 - C79
 C76 - C80
 IC1 - IC11
 D1 - D6, D7, D8, D9 - D18
 D28 - D30, D36
 CN2, CN4 - CN7
 LED3, LED10, LED15, LED16

PLACE J1 ON PINS 2 & 3 FOR FADER OPEN OPERATED FROM REM COM

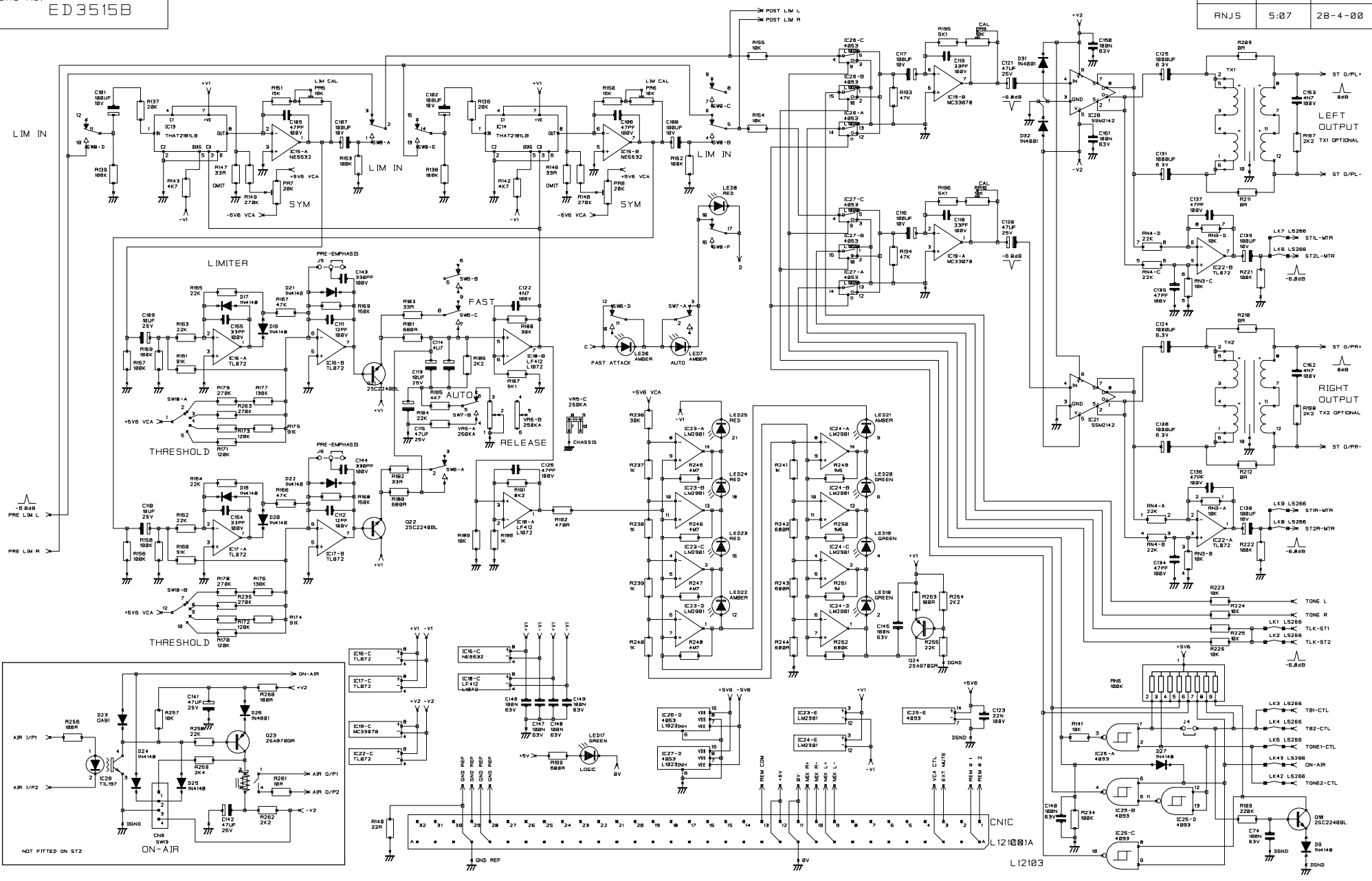
AUDIO FADER AS STANDARD OMIT THE FOLLOWING COMPONENTS:
 R35 TO R38, R41, R42, R55, R56, R58, R59, R64
 R65, R67, R69, D48
 R69 TO R85, C26 TO C37
 R78, R79, R84, R35, C84
 COMPONENT VALUES ARE AS MARKED.

VCA FADER OPTION OMIT THE FOLLOWING COMPONENTS:
 C28, C38, R49, R50, R52, R58, C85, C86
 THE VALUE OF THE FOLLOWING COMPONENTS CHANGE
 R51, R52 ARE 5K
 R53, R54 ARE 18K
 PH1, PH2 ARE 18K
 IN ADDITION R78 (18K) PROVIDES +18dB AT FADER TOP

DRN. CJH

TITLE
 SOUNDRAFT 8800
 STEREO MASTER

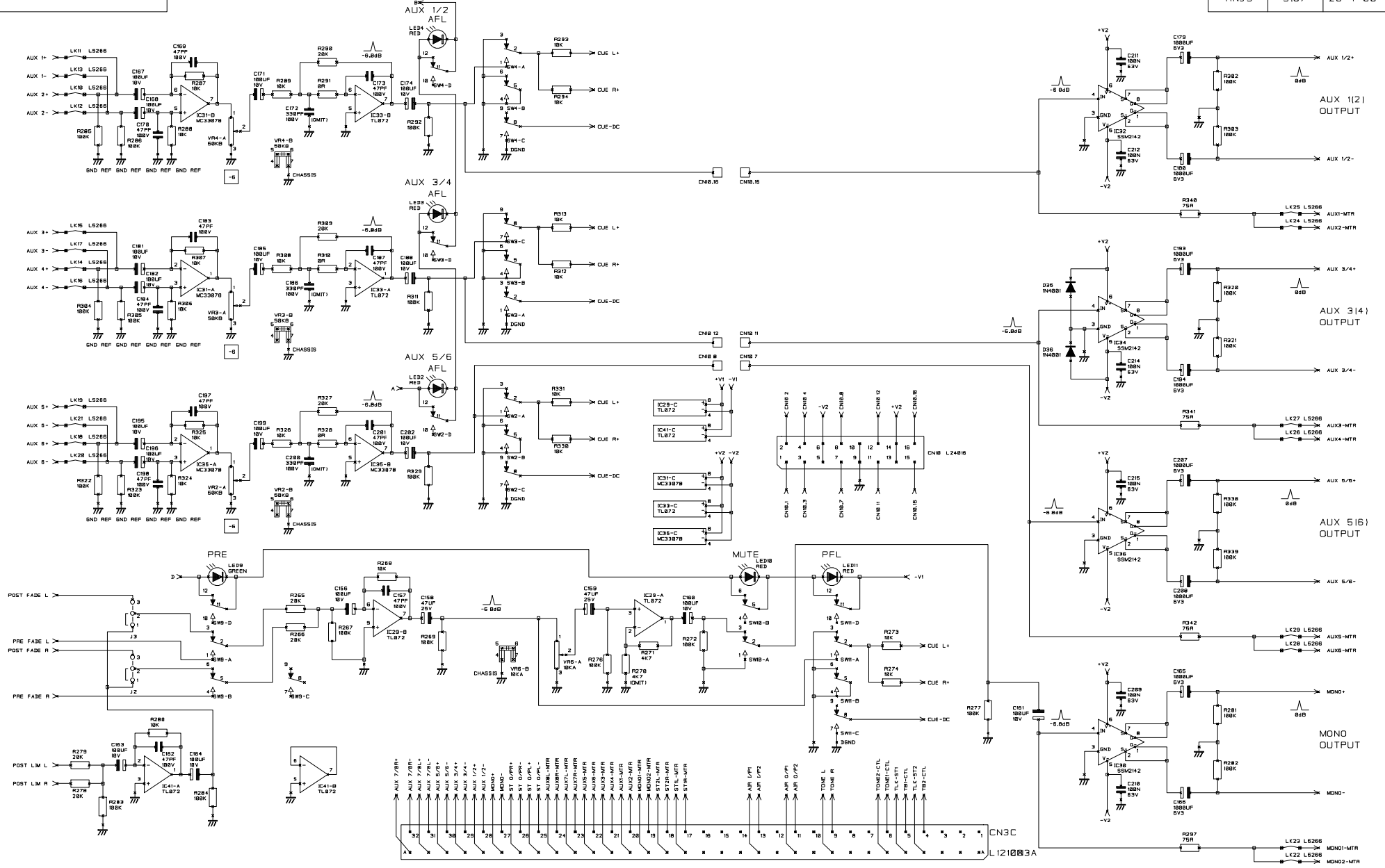
DRG NO
 ED3515A



NOTES

- COMPONENTS USED.
- R186 - R189, R190, R191, R192
 - R193 - R210, R211, R212
 - R234 - R263
 - C181 - C126, C74
 - C18, C19, C20, C185
 - D17 - D27, D9, D32, D9
 - Q21 - Q24, D18
 - LED5 - LED8
 - LED17 - LED26
 - R193 - R195
 - IC13 - IC28
 - S185 - S186, S187, S188
 - J4 - J8
 - V16
 - C1, C2, C3, C4, C5, C6, C7, C8, C9, C10, C11, C12, C13, C14, C15, C16, C17, C18, C19, C20, C21, C22, C23, C24, C25, C26, C27, C28, C29, C30, C31, C32, C33, C34, C35, C36, C37, C38, C39, C40, C41, C42, C43, C44, C45, C46, C47, C48, C49, C50, C51, C52, C53, C54, C55, C56, C57, C58, C59, C60, C61, C62, C63, C64, C65, C66, C67, C68, C69, C70, C71, C72, C73, C74, C75, C76, C77, C78, C79, C80, C81, C82, C83, C84, C85, C86, C87, C88, C89, C90, C91, C92, C93, C94, C95, C96, C97, C98, C99, C100, C101, C102, C103, C104, C105, C106, C107, C108, C109, C110, C111, C112, C113, C114, C115, C116, C117, C118, C119, C120, C121, C122, C123, C124, C125, C126, C127, C128, C129, C130, C131, C132, C133, C134, C135, C136, C137, C138, C139, C140, C141, C142, C143, C144, C145, C146, C147, C148, C149, C150, C151, C152, C153, C154, C155, C156, C157, C158, C159, C160, C161, C162, C163, C164, C165, C166, C167, C168, C169, C170, C171, C172, C173, C174, C175, C176, C177, C178, C179, C180, C181, C18

INITIAL	ISSUE	DATE
RNJS	5:07	28-4-00



NOTES

COMPONENTS USED:
 R205 - R274, R278 - R284, R287, R382 - R319
 R326 - R338, R338 - R342
 C166 - C168, C162 - C174, C178 - C188
 C193 - C202
 C207 - C216
 D33 - D36
 IC28 - IC36, IC41
 LED3 - LED4
 LED9 - LED11
 S99 - SW1

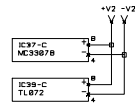
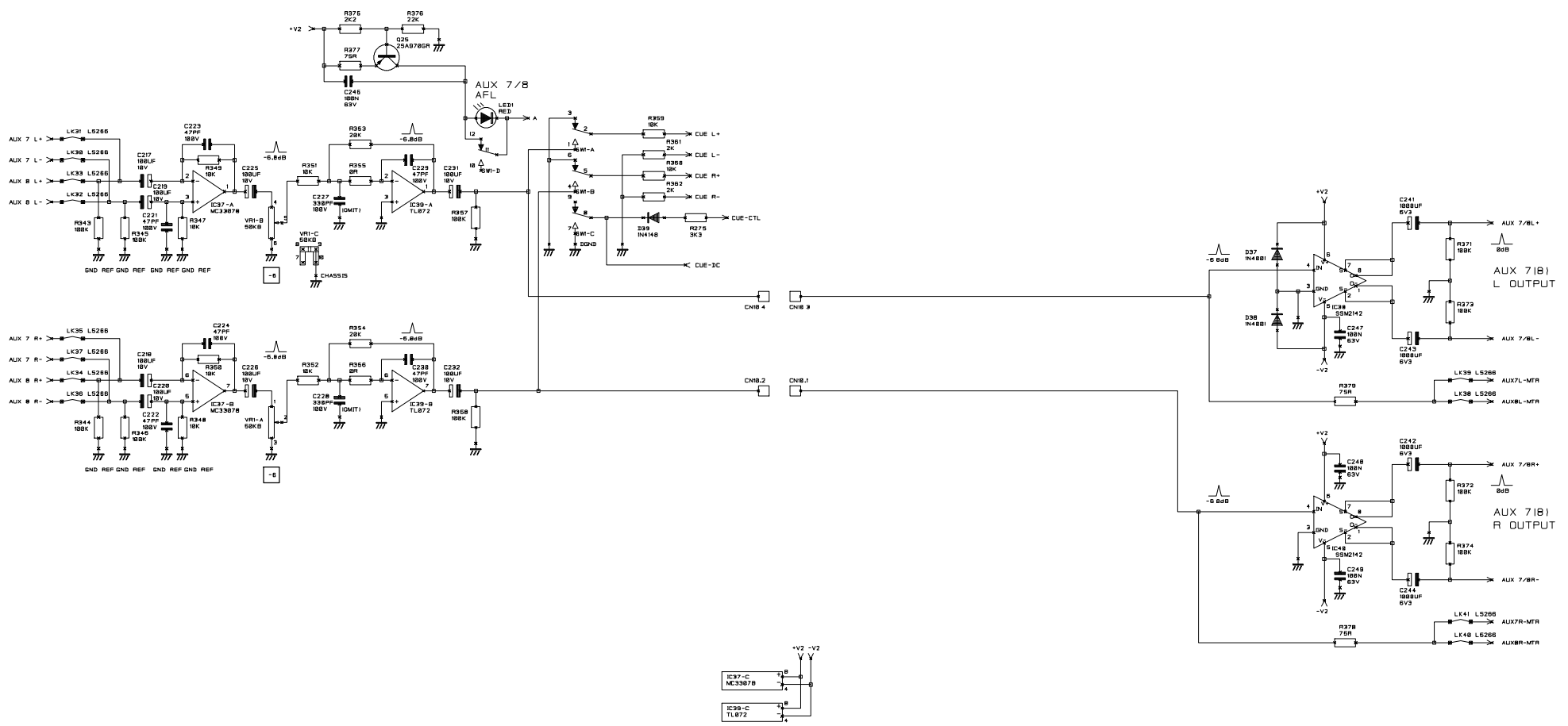
TRANSFORMERS FOR AUX AND MONO OUTPUTS ARE OPTIONALLY FITTED TO MOTHERBOARD
 LK11, LK15, LK16, LK17, LK18, LK21, LK23, LK26, LK27, LK29 FITTED ON STEREO MASTER 1
 LK16A, LK17A, LK18A, LK19A, LK20A, LK21A, LK22A, LK23A, LK24A, LK25A, LK26A, LK27A, LK28A, LK29A FITTED ON STEREO MASTER 2
 C172, C186, C208, R278 ARE OMITTED.
 J2, J3 ON PINS 1 & 2 FOR POST FADER, PRE LATER TO MONO OUTPUT POST SELECTION
 J2, J3 ON PINS 2 & 3 FOR POST FADER, PRE LATER TO MONO OUTPUT POST SELECTION.

DRN. CJH

L12103

TITLE
 SOUNDRAFT B800
 STEREO MASTER

DRG NO. ED3515C



NOTES

COMPONENTS USED:
 R343 - R362, R371 - R379
 C217 - C238, C241 - C248
 D37 - D39
 Q25
 IC37 - IC40
 LED1
 S81
 LK38 - LK41
 VRI

TRANSFORMERS FOR AUX OUTPUTS ARE OPTIONALLY FITTED ON MOTHERBOARD
 LK31, LK33, LK36, LK37, LK39, LK41 FITTED ON STEREO MASTER 1
 LK38, LK32, LK34, LK35, LK38, LK40 FITTED ON STEREO MASTER 2

R353, R364 ARE 20K
 C229, C398 ARE 47P
 R355, R356 ARE 0R
 C227, C238 ARE OMITTED

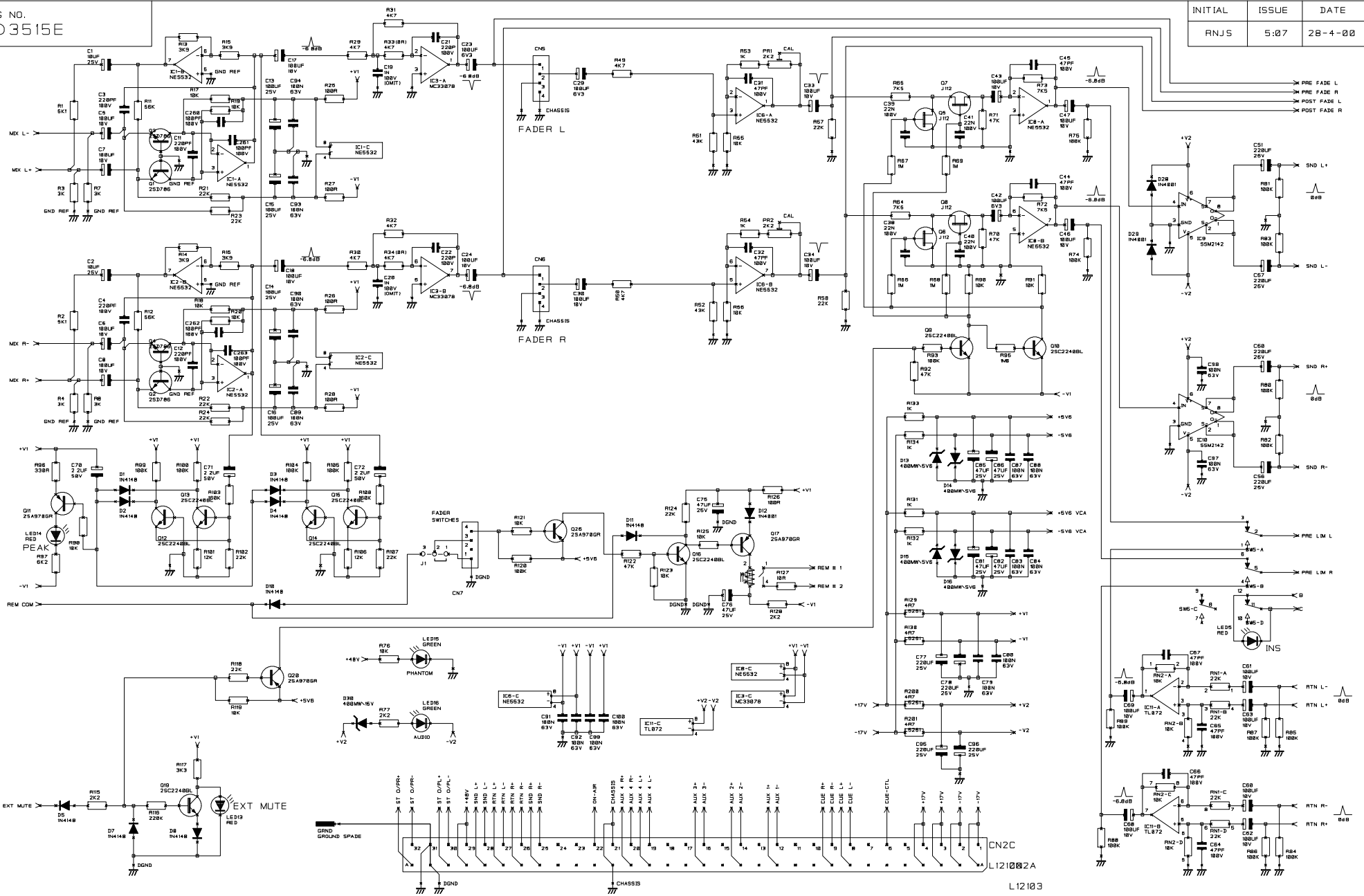
DRN. CJH

TITLE
 SOUND CRAFT 8800
 STEREO MASTER

DRG NO
 ED3515D

DRG NO.
ED 3515E

INITIAL	ISSUE	DATE
RNJS	5:07	28-4-00



NOTES

COMPONENTS USED PLACE J1 ON PINS 2 & 3 FOR FADER OPEN OPERATED FROM REM COM

R1 - R81, R83, R84 - R82
 R85 - R88, R95 - R98, R99, R281
 C1 - C28, C29 - C47, C58
 C59, C59A, C59B - C79
 C75 - C98
 IC1 - IC11
 D1 - D6, D7, D8, D9 - D16
 D28 - D30, D48
 CN2, CN4 - CN7
 LED9, LED19, LED35, LED36

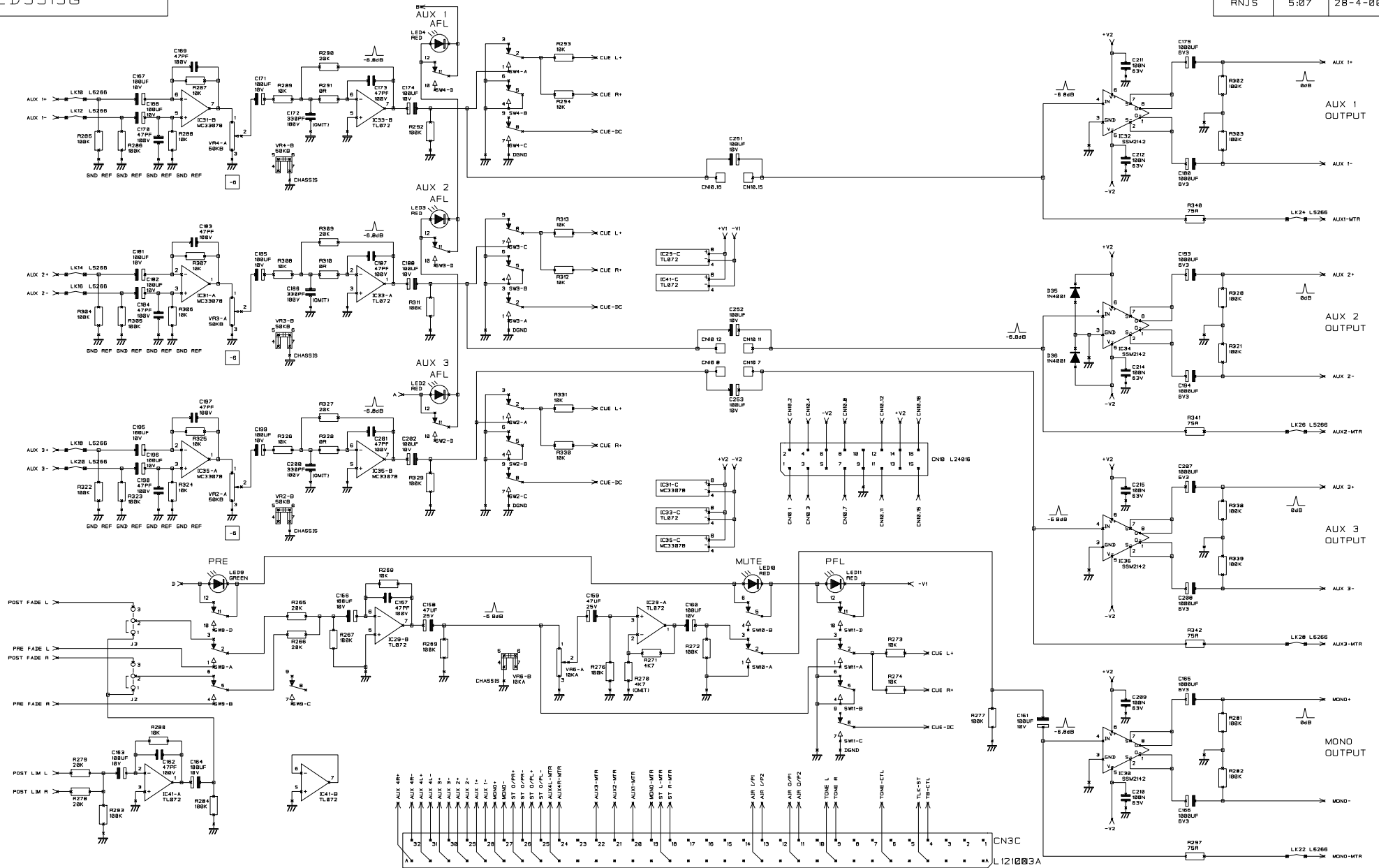
D1 - D17, D19, D28, D26
 PR1 - PR4
 RN1 - RN2
 SWS
 PL1
 J1

DRN. CJH

TITLE
SOUNDCRAFT B400
STEREO MASTER

DRG NO.
ED 3515E

INITIAL	ISSUE	DATE
RNJS	5:07	28-4-00



L12103

NOTES

COMPONENTS USED:
 R205 - R274, R276 - R294, R297, R302 - R313
 R328 - R331, R338 - R342
 C165 - C168, C162 - C174, C178 - C188
 C193 - C202
 C207 - C216
 C23 - C30
 C28 - C36
 IC28 - IC36, IC41
 LED3 - LED4
 LED9 - LED11
 S90 - S91

TRANSFORMERS FOR AUX AND MONO OUTPUTS ARE OPTIONALLY FITTED TO MOTHERBOARD

CN9 IS OMITTED ON 8480 AND C201 - C205 ARE FITTED IN PLACE AS SHOWN

C172, C185, C208, R276 ARE OMITTED.

J2, J3 ON PINS 1 & 2 FOR POST LIMITER TO MONO OUTPUT POST SELECTION

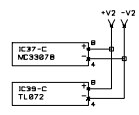
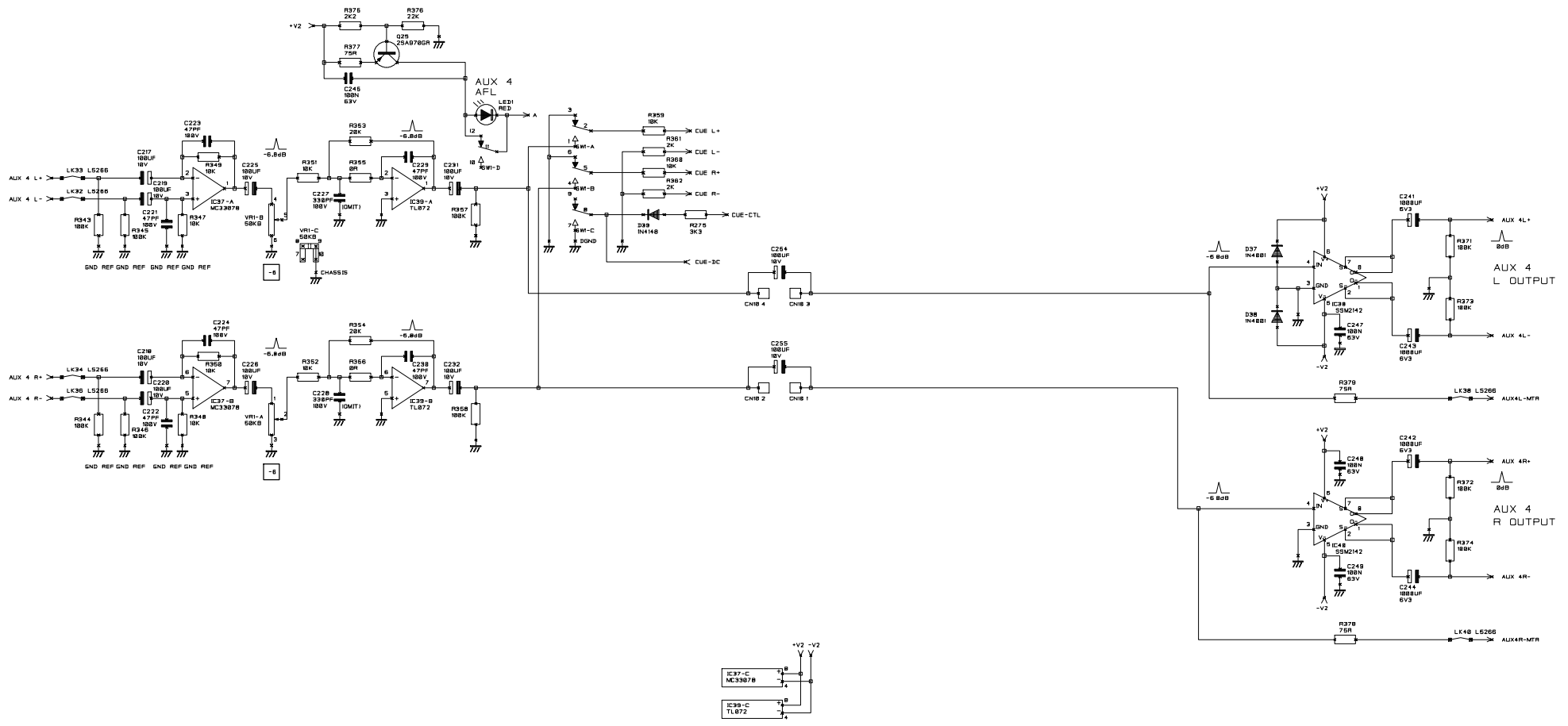
J2, J3 ON PINS 2 & 3 FOR POST FADER, PRE LIMITER TO MONO OUTPUT POST SELECTION.

DRN. CJH

TITLE
SOUNDCRAFT 8800
STEREO MASTER

DRG NO.
ED 3515G

INITIAL	ISSUE	DATE
RNJS	5:07	28-4-00



NOTES

COMPONENTS USED,
R343 - R362, R371 - R378
C217 - C232, C241 - C249
D37 - D39
G28
IC37 - IC48
LED1
SW1
LK38 - LK41
VRI

TRANSFORMERS FOR AUX OUTPUTS ARE OPTIONALLY FITTED ON MOTHERBOARD

R353, R354 ARE 20K
C229, C238 ARE 47P
R355, R356 ARE 0R
C227, C238 ARE OMITTED

DRN. CJH

TITLE
SOUNDCRAFT 8800
STEREO MASTER

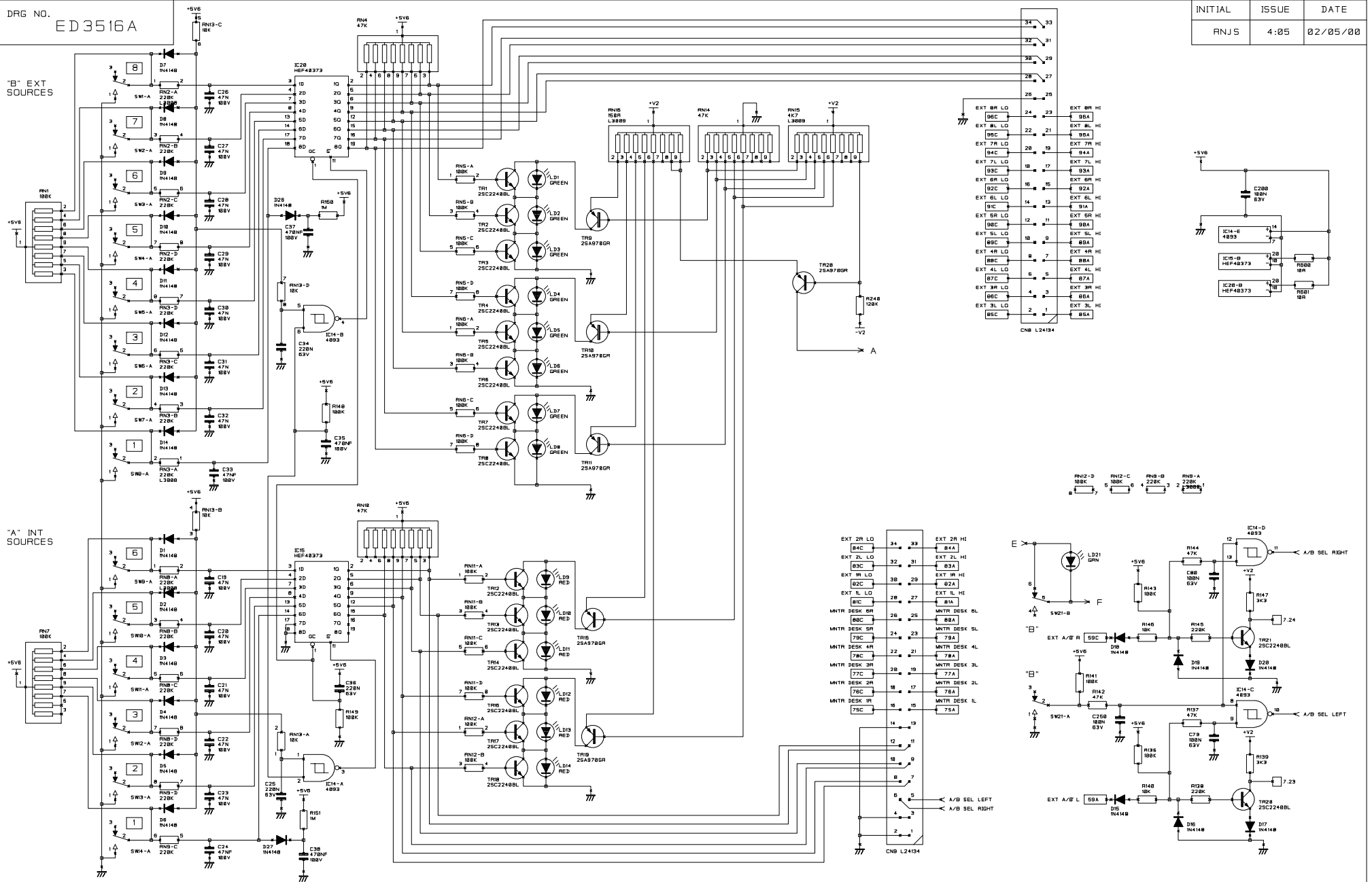
DRG NO.
ED 3515H

DRG NO. ED 3516A

INITIAL	ISSUE	DATE
RNJS	4:05	02/05/00

'B' EXT SOURCES

'A' INT SOURCES



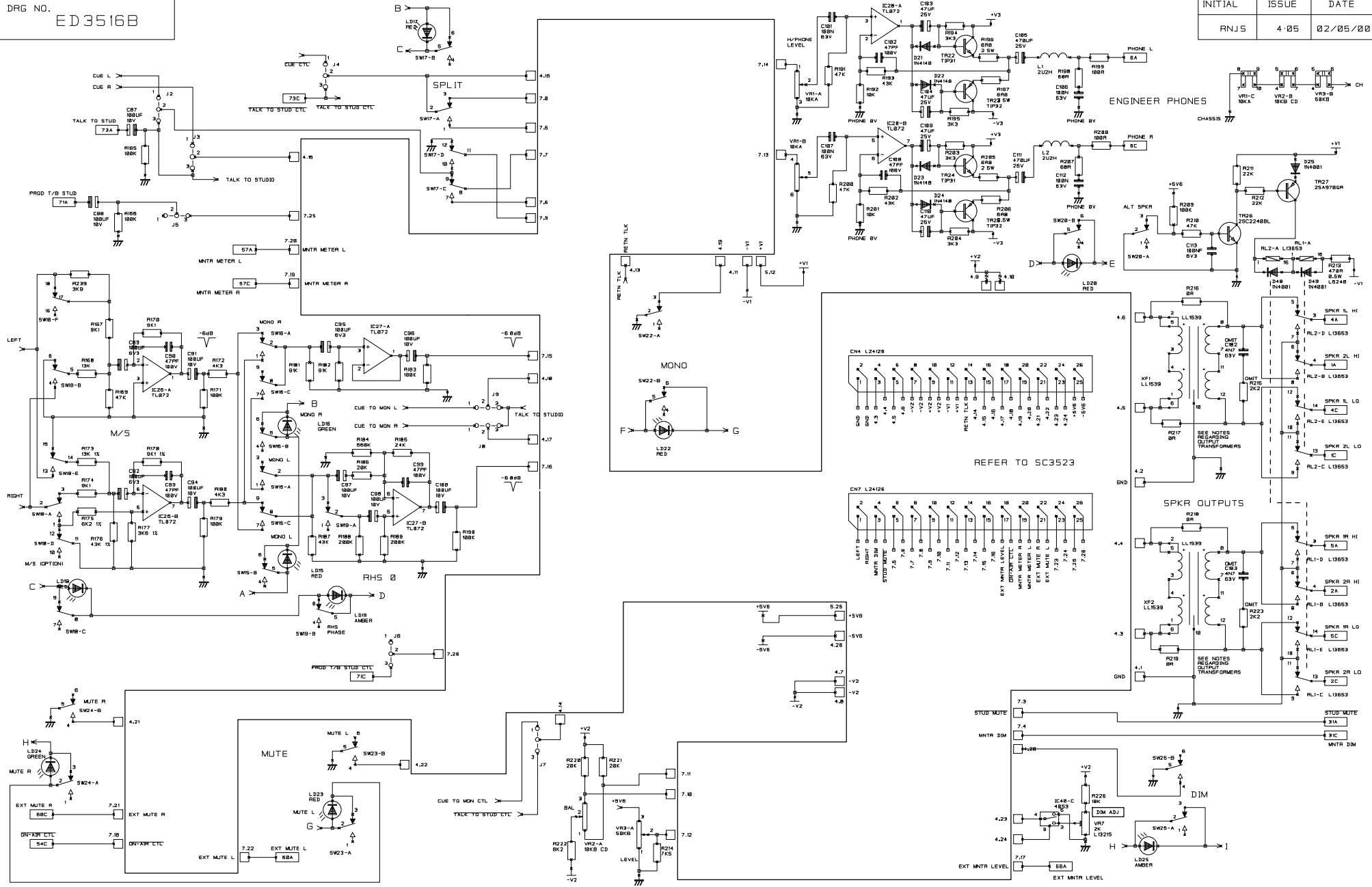
NOTES

DRN. CB/VCR

TITLE
B800 MONITOR
MODULE MAIN PCB

DRG NO. ED 3516A

INITIAL	ISSUE	DATE
RNJS	4:05	02/05/00



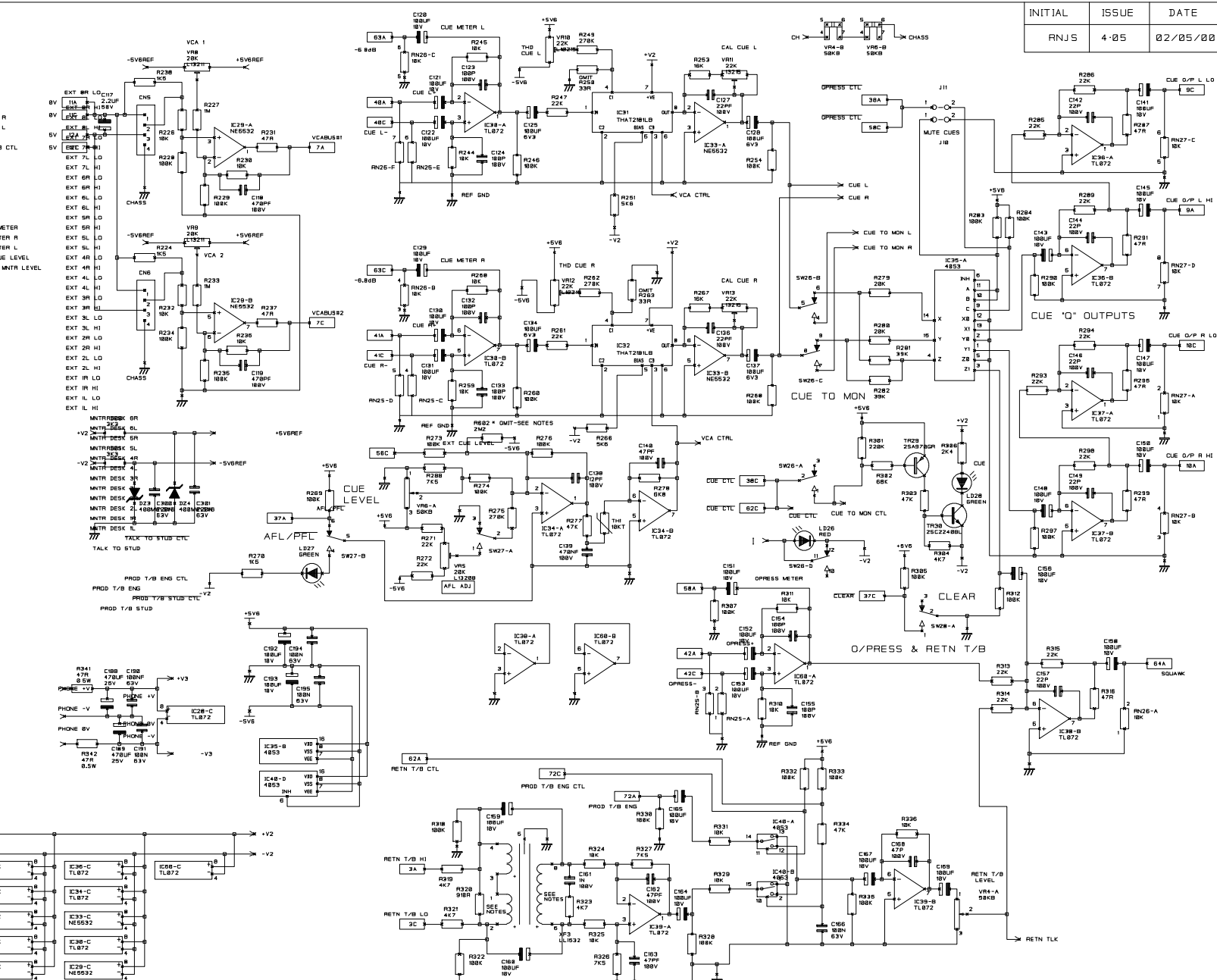
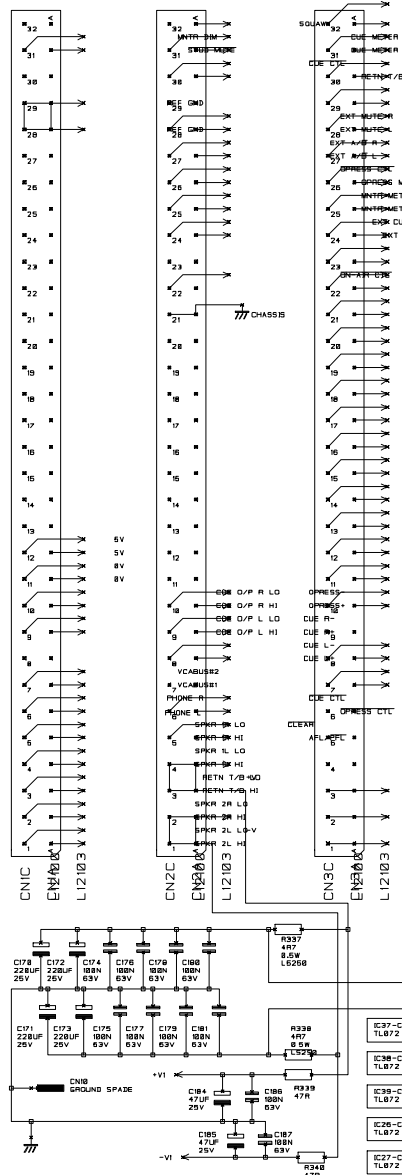
NOTES

WITH OUTPUT TRANSFORMERS	WITHOUT OUTPUT TRANSFORMERS
FIT XF1,2	OMIT XF1,2
FIT C182,183 = 4N7	OMIT C182,183 = 4N7
FIT R215,223 = 2K2	OMIT R215,223 = 2K2
OMIT R216-219	FIT R216-219

DRN. CB/VCR

TITLE
B800 MONITOR
MODULE MAIN PCB

DRG NO. ED 3516B



NOTES
 RETN T/B INPUT
 XF3 NORMALLY OMITTED
 FOR X/F VERSION
 FIT XF3, R320-910R, R323-4K7
 OMIT C159 C160
 CHANGE R324 R325 (10K) TO 7K5
 CHANGE R326 R327 (7K5) TO 47K

J10 & J11
 LINK 1-2
 1-2 DEFAULT
 SWES CUE ON SQUAWK
 SPEAKER (NO O/P)
 IS DISABLED
 TO SQUAWK BY
 EITHER O/PRESS PFL
 OR CUE TO MON SW

FITTED 1-1
 1-2
 CUE FEEDS O/Ps
 (AND NOT SQUAWK)
 ALSO DISABLED BY
 EITHER O/PRESS PFL
 OR CUE TO MON SW
 FIT R602 2M2 FOR CUE +6dB MAX

DRN. CB/VCR

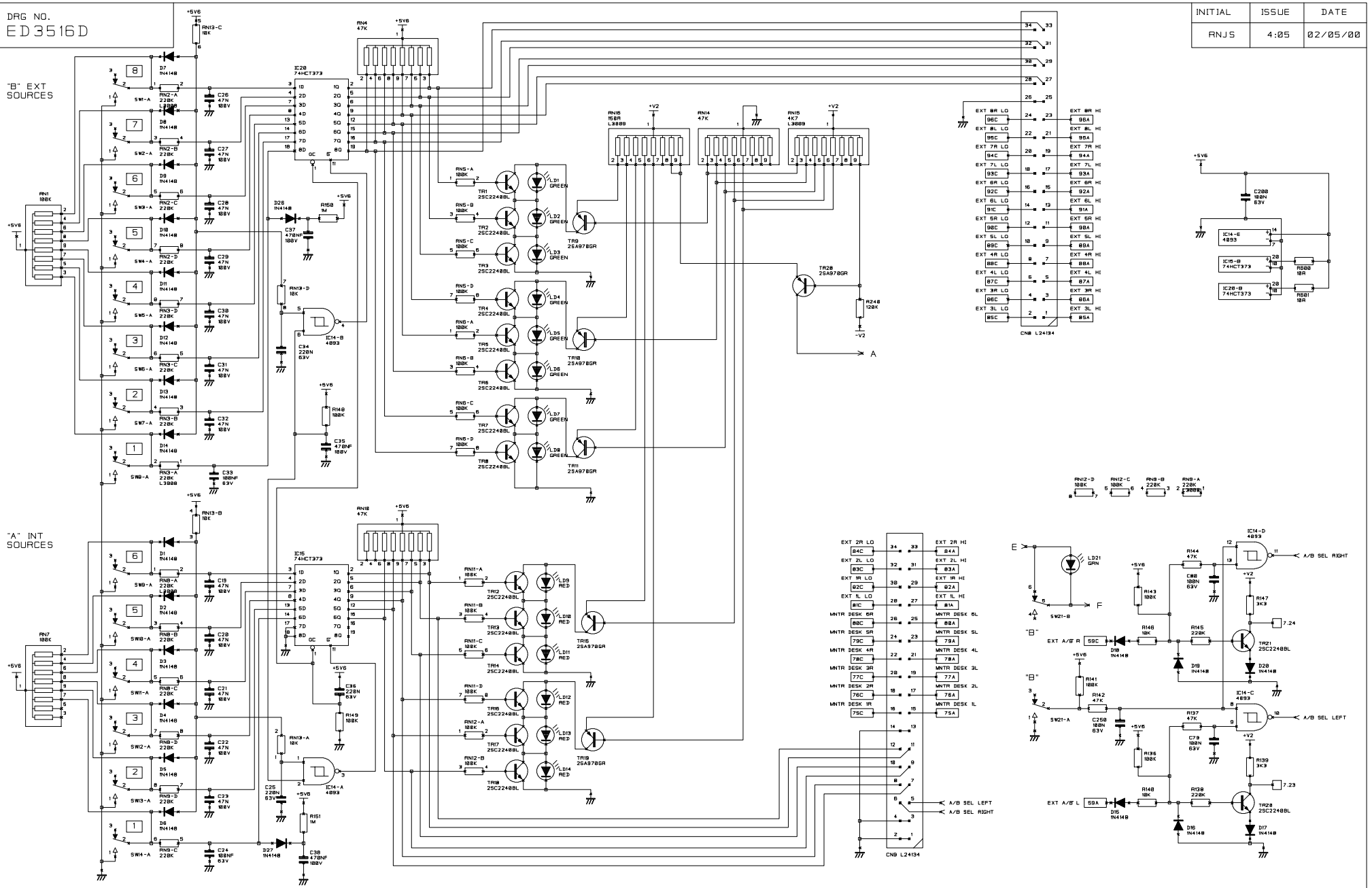
TITLE
 B800 MONITOR
 MODULE MAIN PCB
 DRG NO. ED 3516C

DRG NO.
ED 3516D

INITIAL	ISSUE	DATE
RNJS	4:05	02/05/00

'B' EXT SOURCES

'A' INT SOURCES



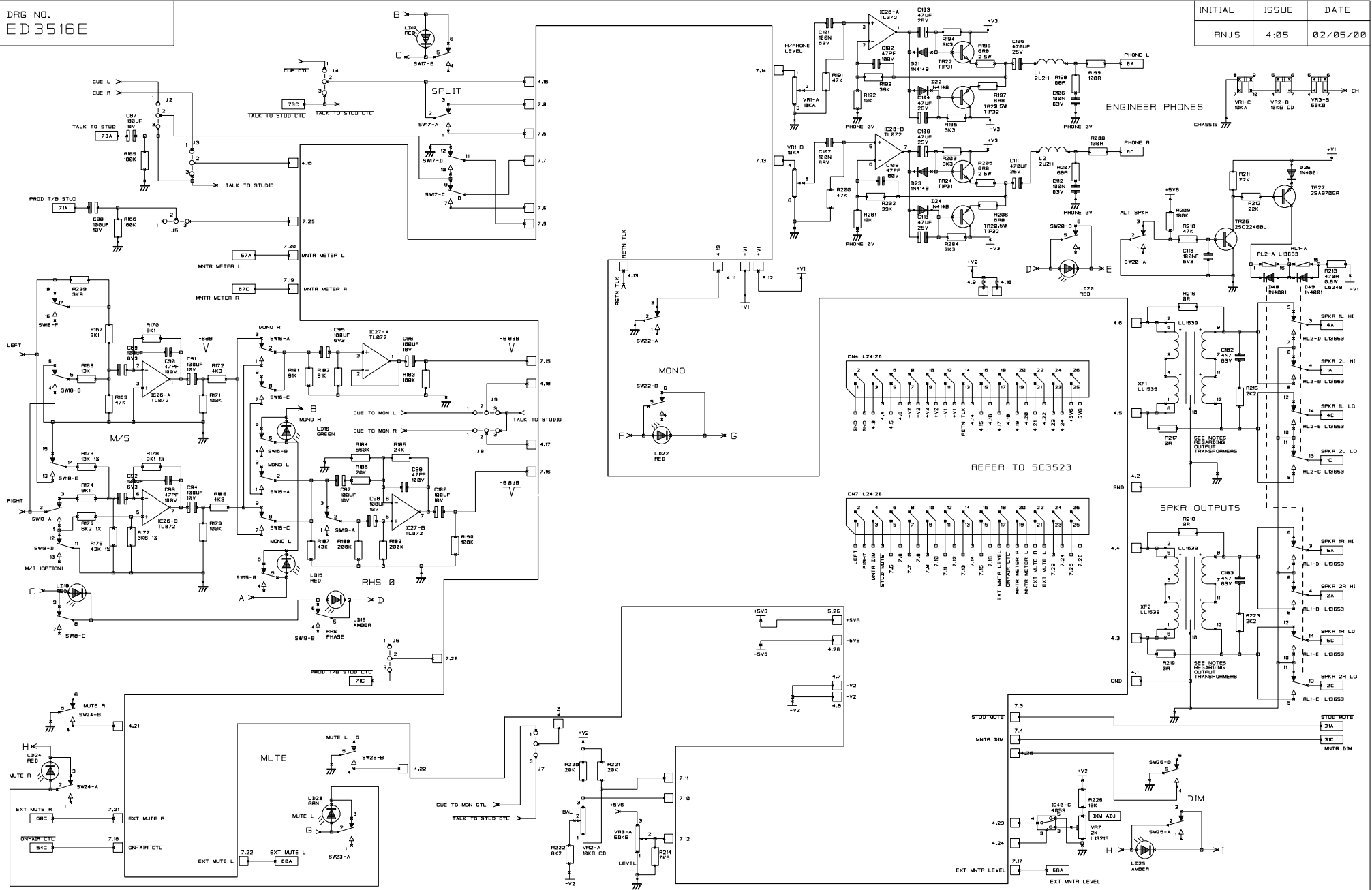
NOTES

DRN. CB/VCR

TITLE
B400 MONITOR
MODULE MAIN PCB

DRG NO.
ED 3516D

INITIAL	ISSUE	DATE
RNJS	4:05	02/05/00



NOTES

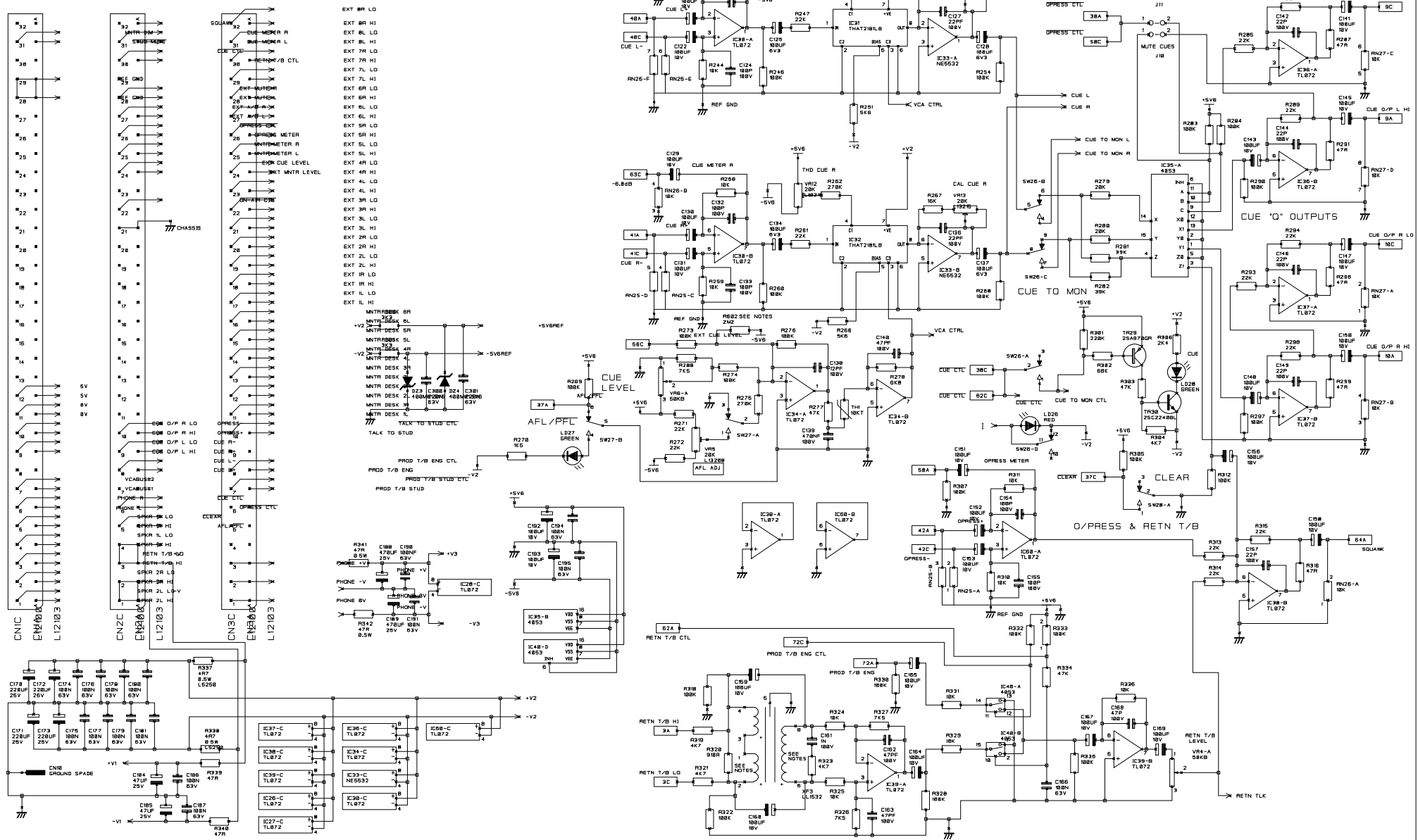
WITH OUTPUT TRANSFORMERS	WITHOUT OUTPUT TRANSFORMERS
FIT XF1.2	OMIT XF1.2
FIT C182.183 = 4N7	OMIT C182.183 = 4N7
FIT R215.223 = 2K2	OMIT R215.223 = 2K2
OMIT R216-219	FIT R216-219

DRN. CB/VCR

TITLE
B400 MONITOR
MODULE MAIN PCB

DRG NO
ED 3516E

INITIAL	ISSUE	DATE
RNJS	4:05	02/05/00



NOTES
 RETN T/B INPUT
 XF3 NORMALLY OMITTED
 FOR X/F VERSION
 FIT XF3 R322-318R. R323-4K7
 OMIT C169 C160
 CHANGE R324 R325 (10K) TO 7K5
 CHANGE R326 R327 (17K5) TO 47K

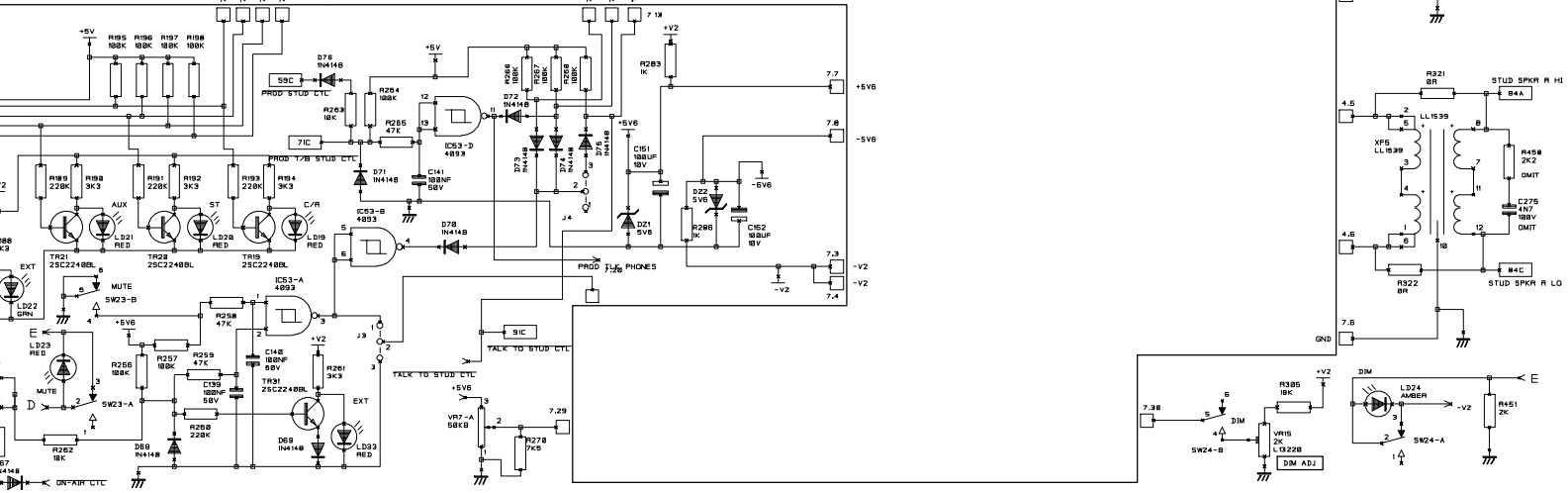
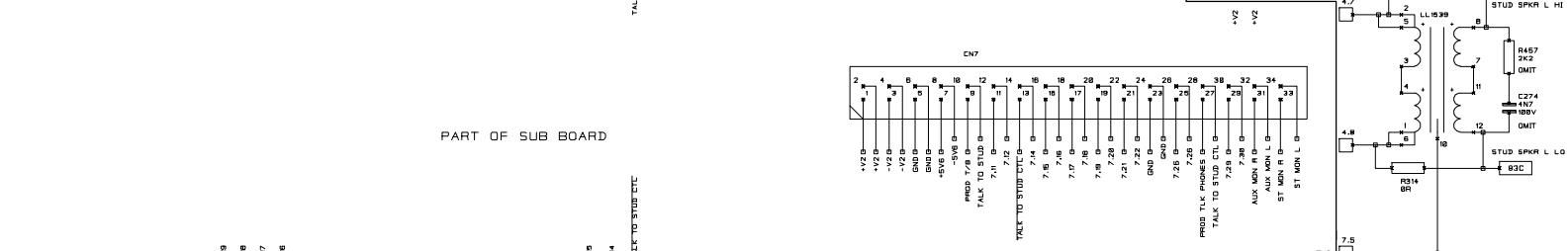
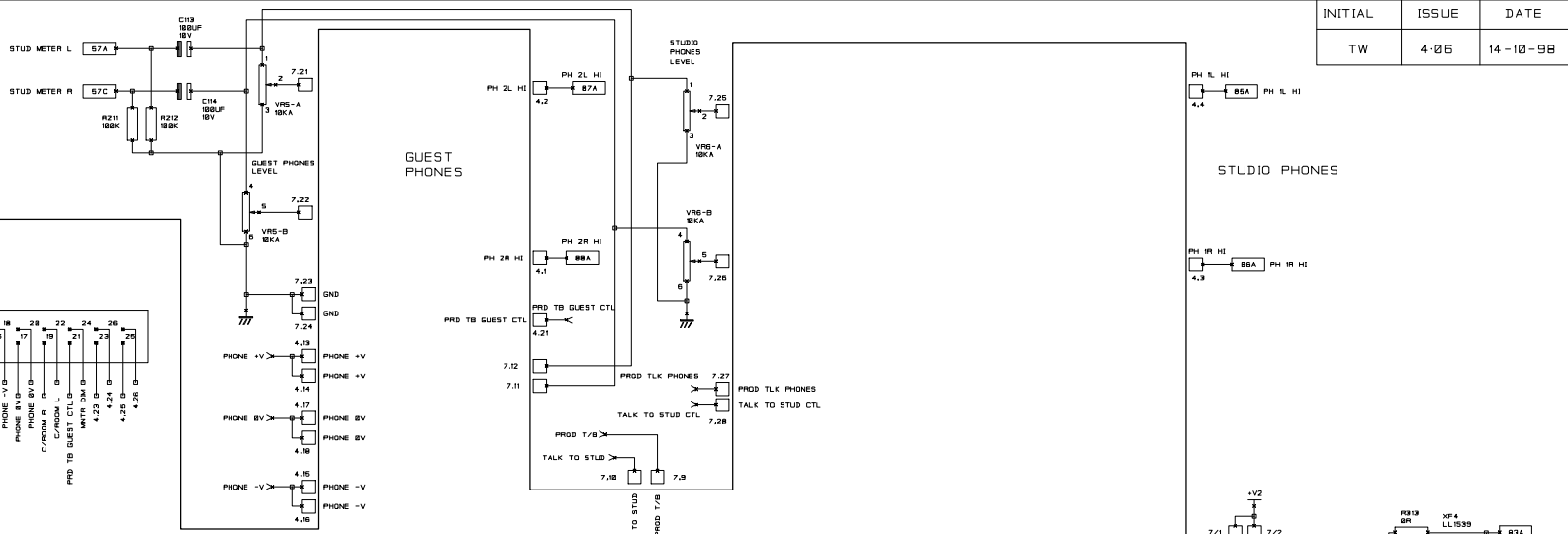
J10 & J11
 LINK 1-2
 1-2 DEFAULT
 SWES CUE ON SQUAWK
 SPEAKER (NO O/P)
 CUE IS DISABLED
 TO SQUAWK BY
 EITHER O/PRESS PFL
 OR CUE TO MON SW

FITTED 1-1
 2-2
 CUE FEEDS O O/Ps
 (AND NOT SQUAWK)
 ALSO DISABLED BY
 EITHER O/PRESS PFL
 OR CUE TO MON SW
 FIT R602 2M2 FOR CUE +6dB MAX

DRN. CB/VCR

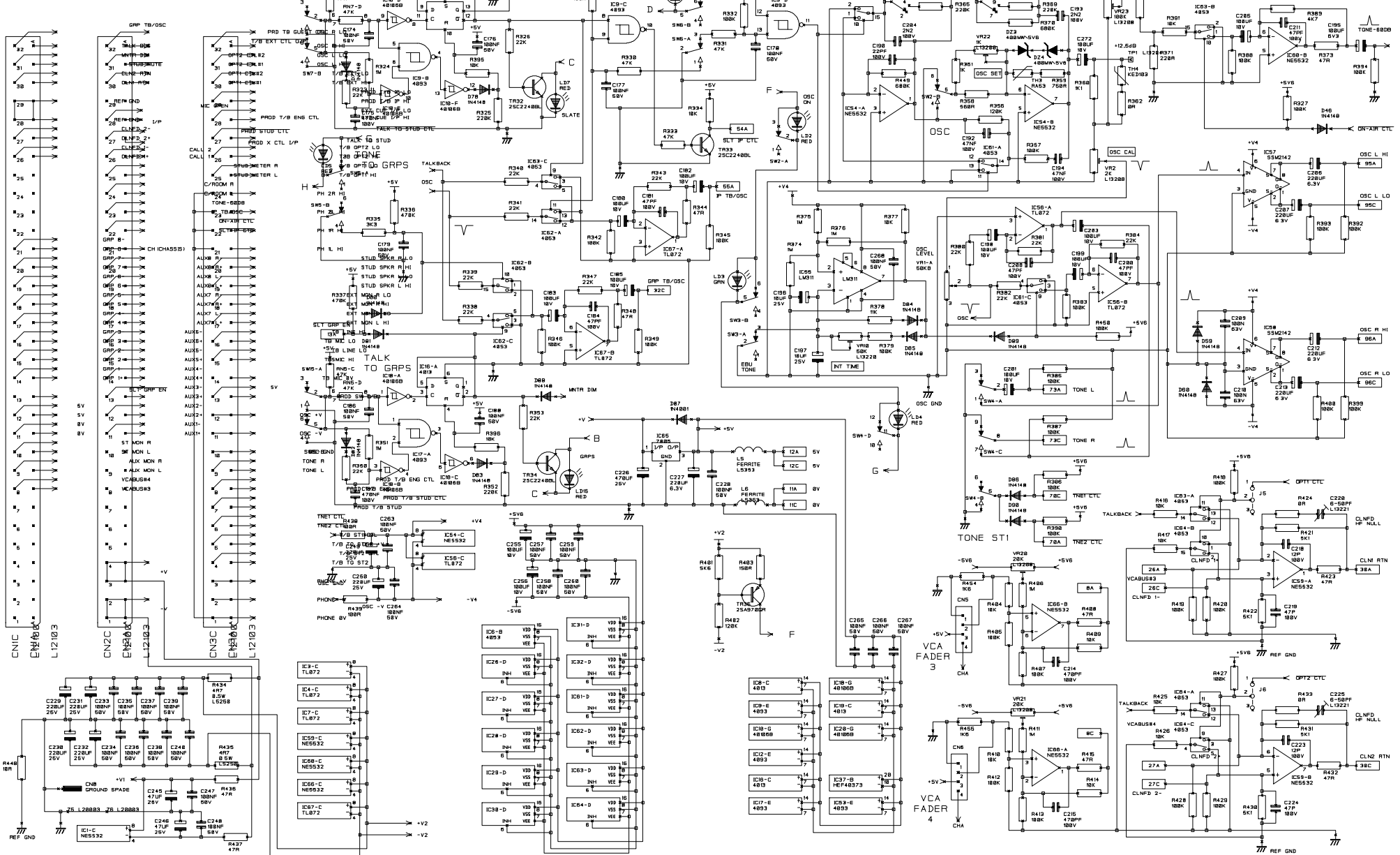
TITLE
 B400 MONITOR
 MODULE MAIN PCB
 DRG NO
 ED 3516F

INITIAL	ISSUE	DATE
TW	4-06	14-10-98



NOTES
 TRANSFORMER VERSION
 OMIT R46, R47, R913, R914, R921, R922
 FIT R465 TO R468 2C2
 FIT C279 TO C276 4N7

DRN.	CJH	TITLE	B800 COMMS MODULE
		DRG NO.	ED3517B



NOTES

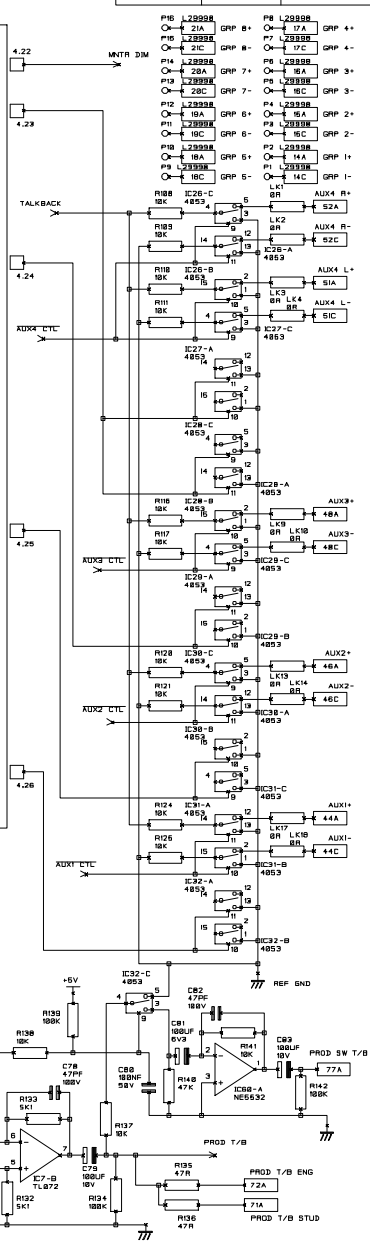
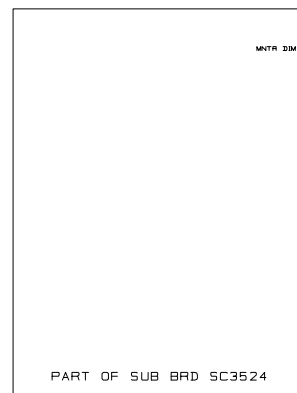
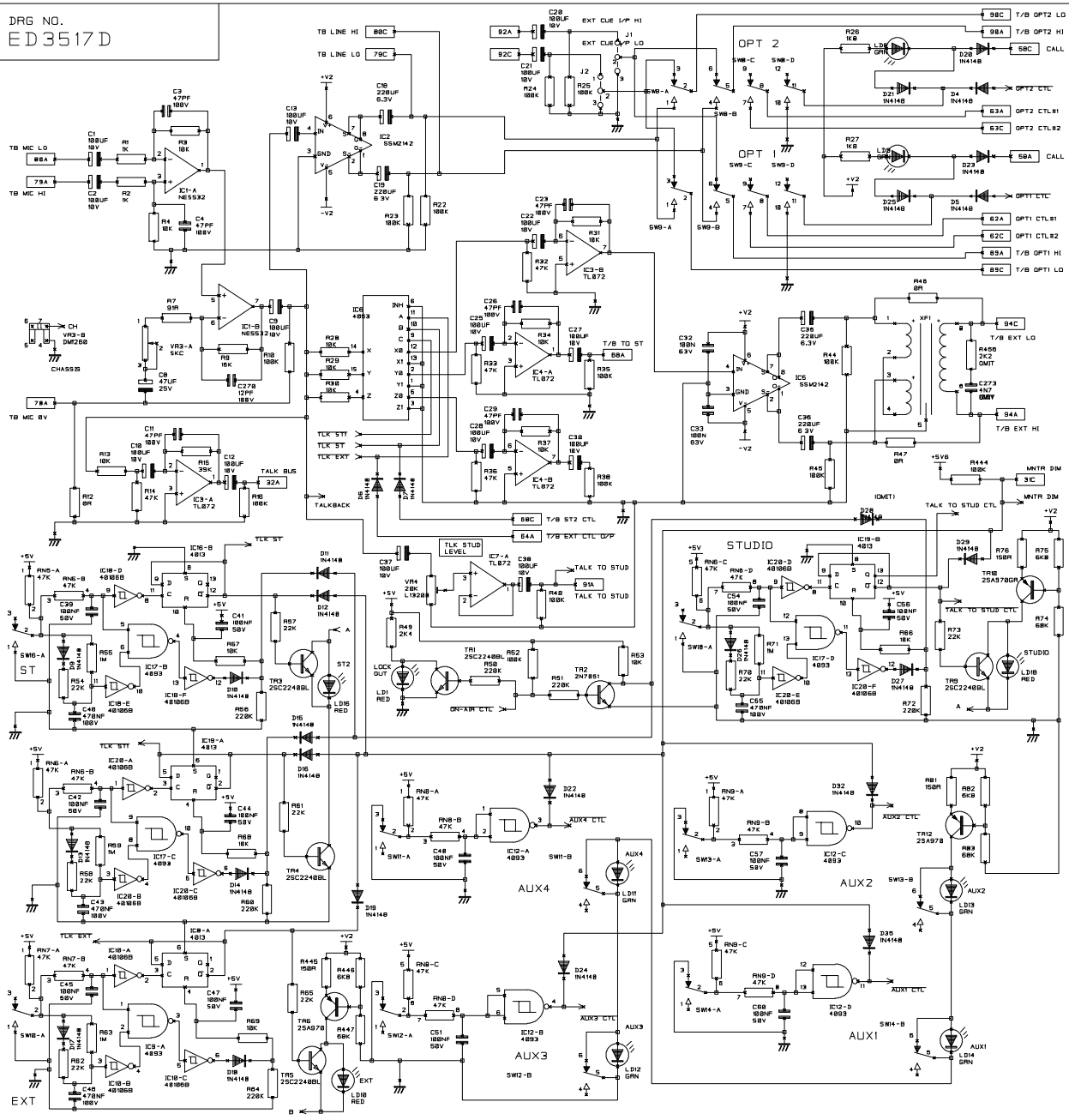
DRN. CJH

TITLE B800
COMMS MODULE

DRG NO. ED 3517C

DRG NO.
ED 3517 D

INITIAL	ISSUE	DATE
TW	4:06	14-10-98



NOTES

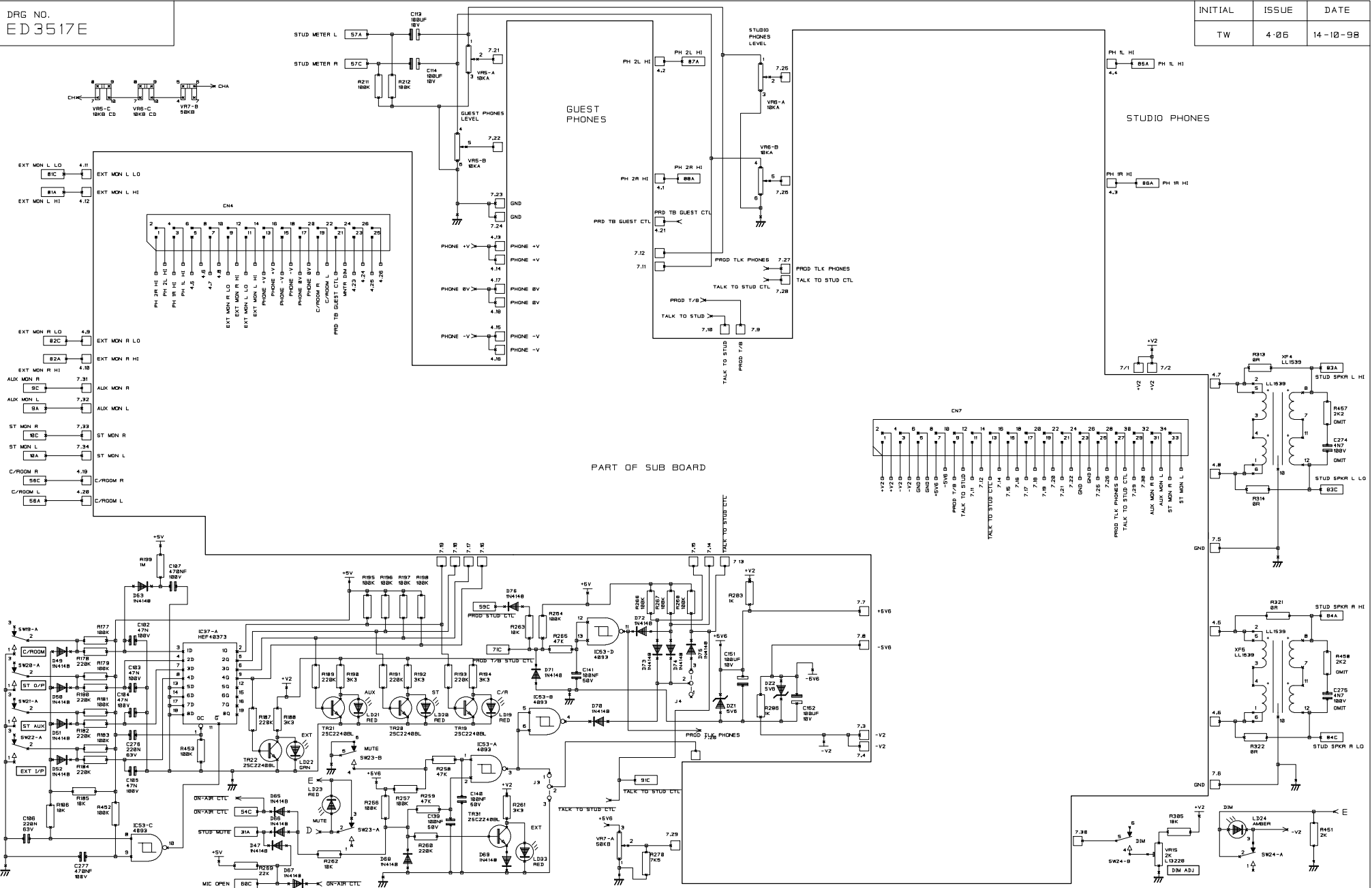
DRN.

C J H

TITLE
B800
COMMS MODULE
DRG NO
ED 3517 D

DRG NO.
ED 3517E

INITIAL	ISSUE	DATE
TW	4-06	14-10-98



NOTES
TRANSFORMER VERSION
OMIT R46, R47, R93, R94, R922
FIT R465 TO R458 2K
FIT C273 TO C275 4N7

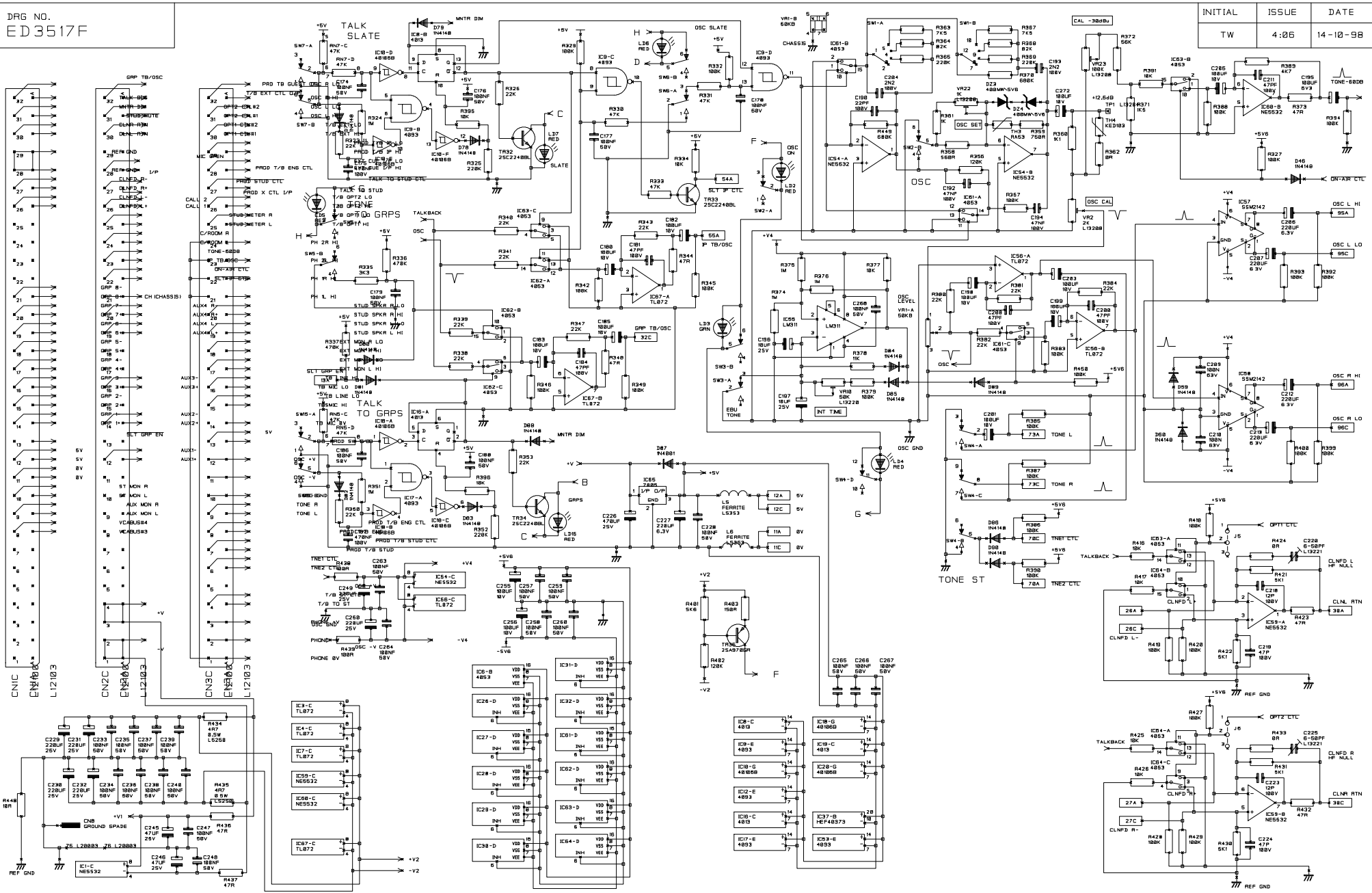
DRN. CJH

TITLE
B800
COMMS MODULE

DRG NO.
ED 3517E

DRG NO.
ED 3517F

INITIAL	ISSUE	DATE
TW	4:06	14-10-98

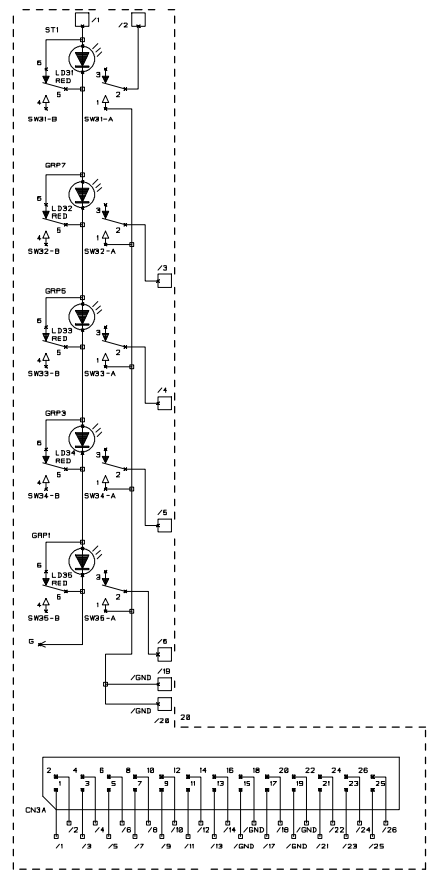
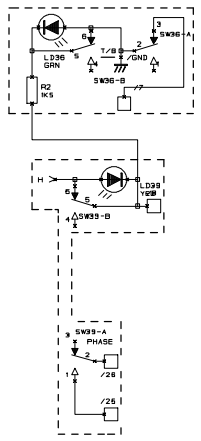
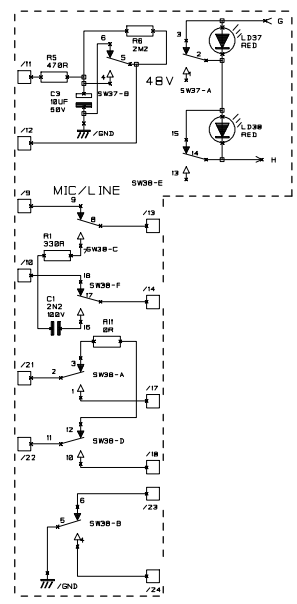


NOTES

DRN. C J H

TITLE
B800
COMMS MODULE

DRG NO.
ED 3517F

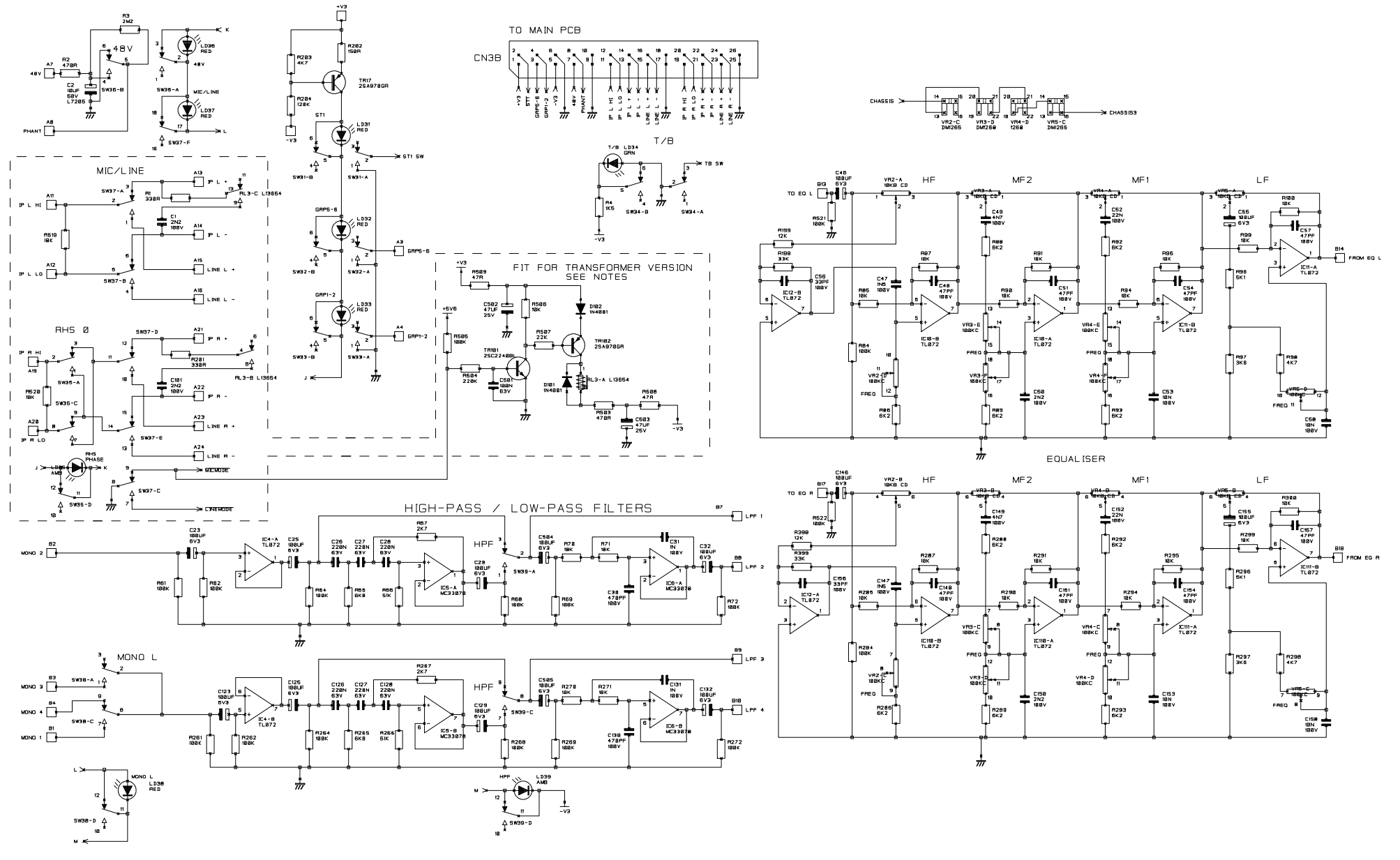


NOTES

DRN. CB/VCR

TITLE B800
MONO INPUT MODULE
(SUB BOARD)

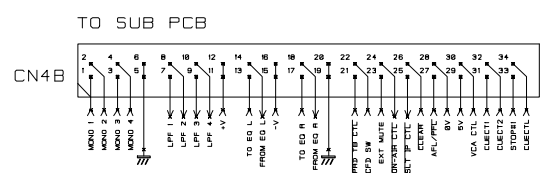
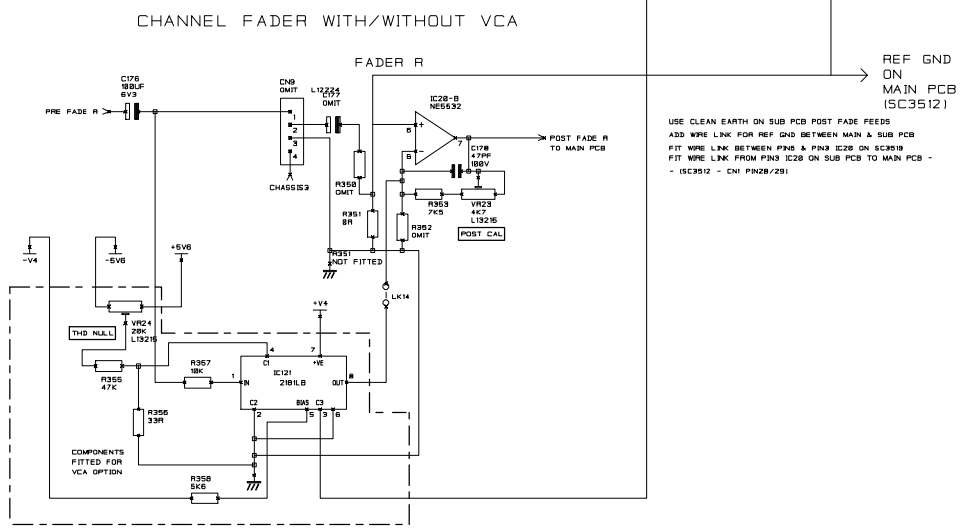
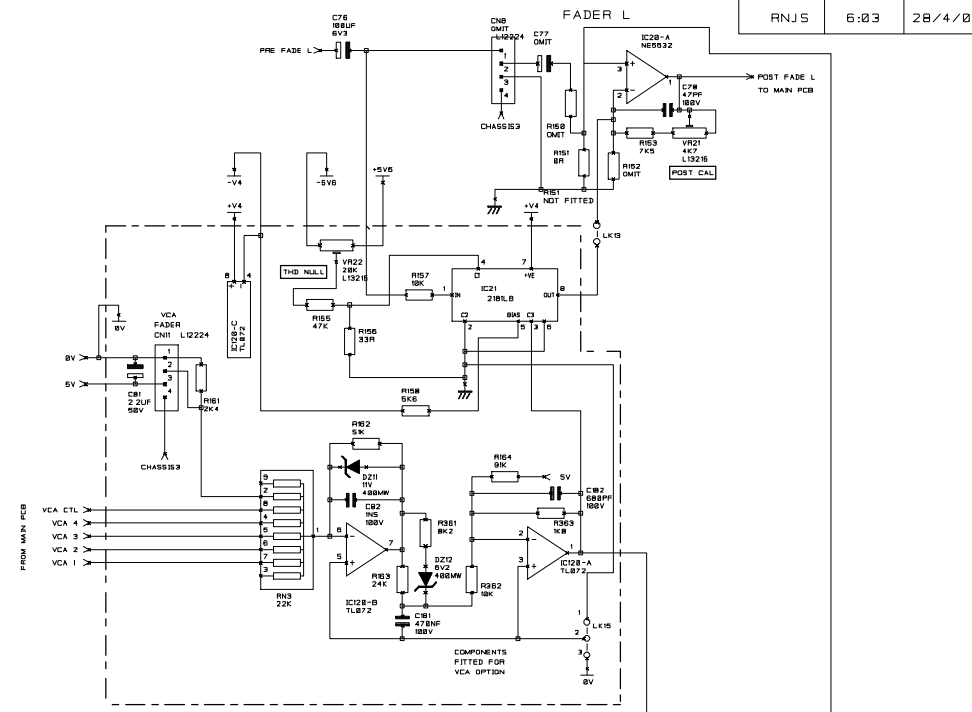
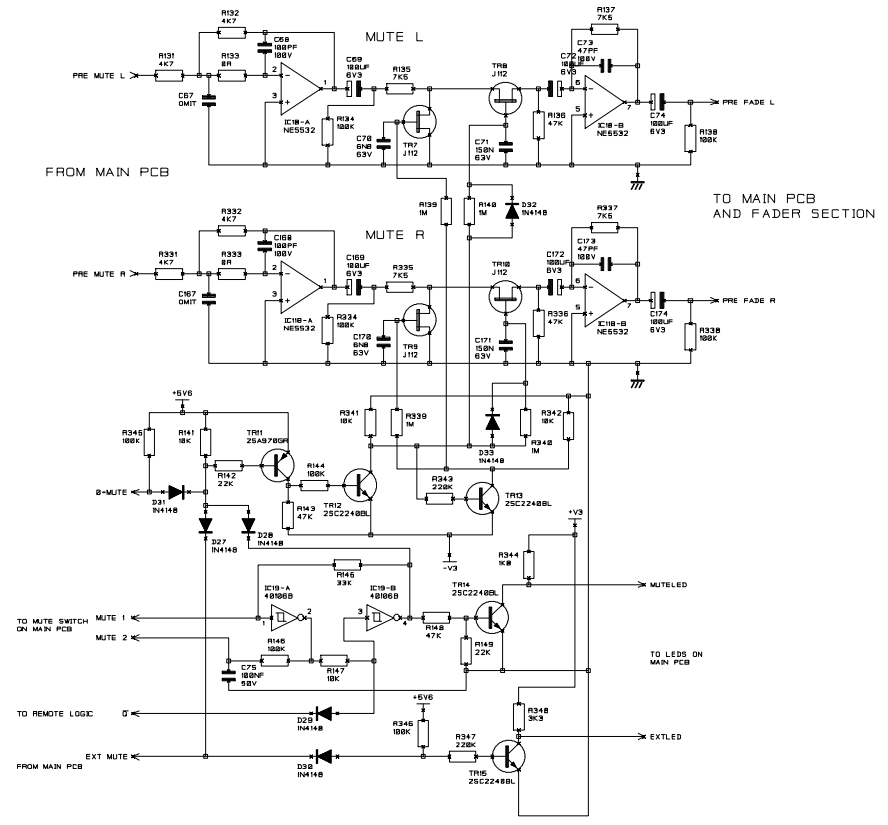
DRG NO. ED 3518



NOTES
 FIT ONLY IF TRANSFORMERS FITTED
 R1,R201,R503-R509,R519,R520
 C1,C101,C501-C503
 RL3
 TR101,TR102
 D101,D102

DRN. CB/PH

TITLE B800
 STEREO INPUT MODULE
 SUB PCB
 DRG NO. ED 3519A



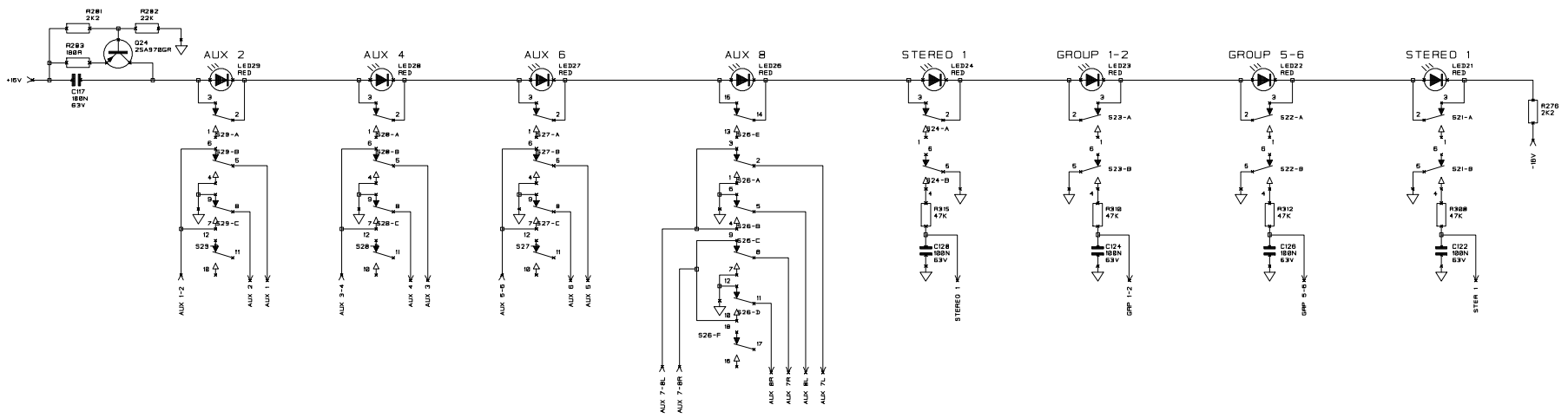
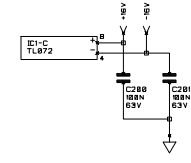
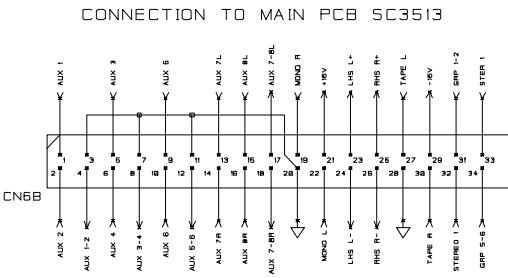
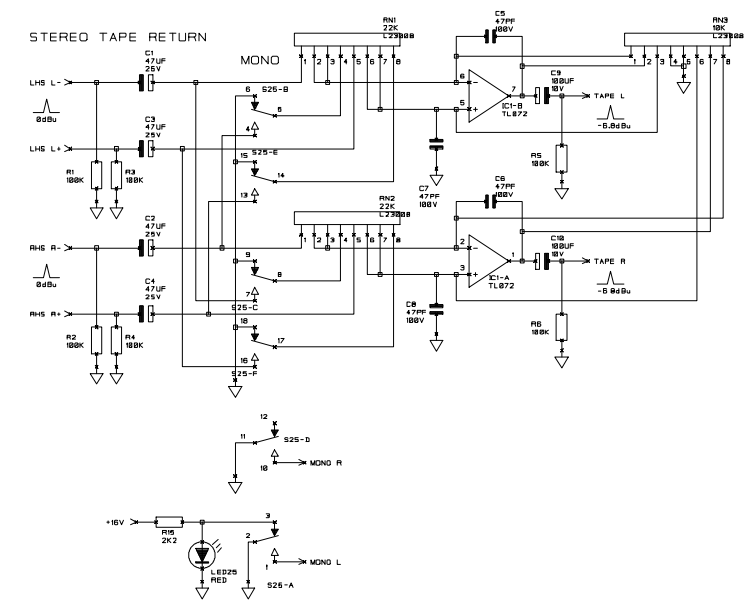
USE CLEAN EARTH ON SUB PCB POST FADE FEEDS
 ADD WIRE LINK FOR REF GND BETWEEN MAIN & SUB PCB
 FIT WIRE LINK BETWEEN PINS 8 & PINS IC20 ON SC9518
 FIT WIRE LINK FROM PINS IC20 ON SUB PCB TO MAIN PCB -
 - (IC9512 - CNI PRN28/29)

NOTES

DRN. CB/PH

TITLE B800
 STEREO INPUT MODULE
 SUB PCB

DRG NO. ED 3519B

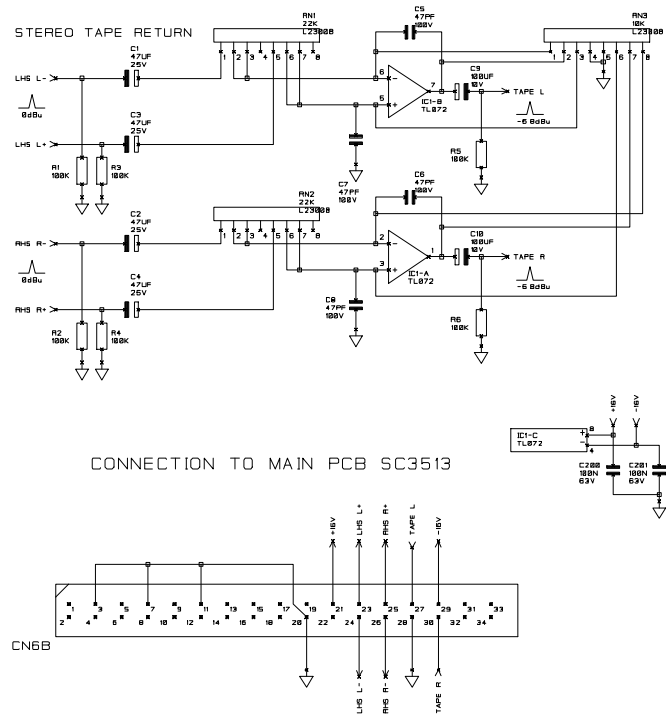


NOTES

DRN. CJH/VCR

TITLE
B800 MONO GROUP
OUTPUT SUB PCB

DRG NO
ED3520A

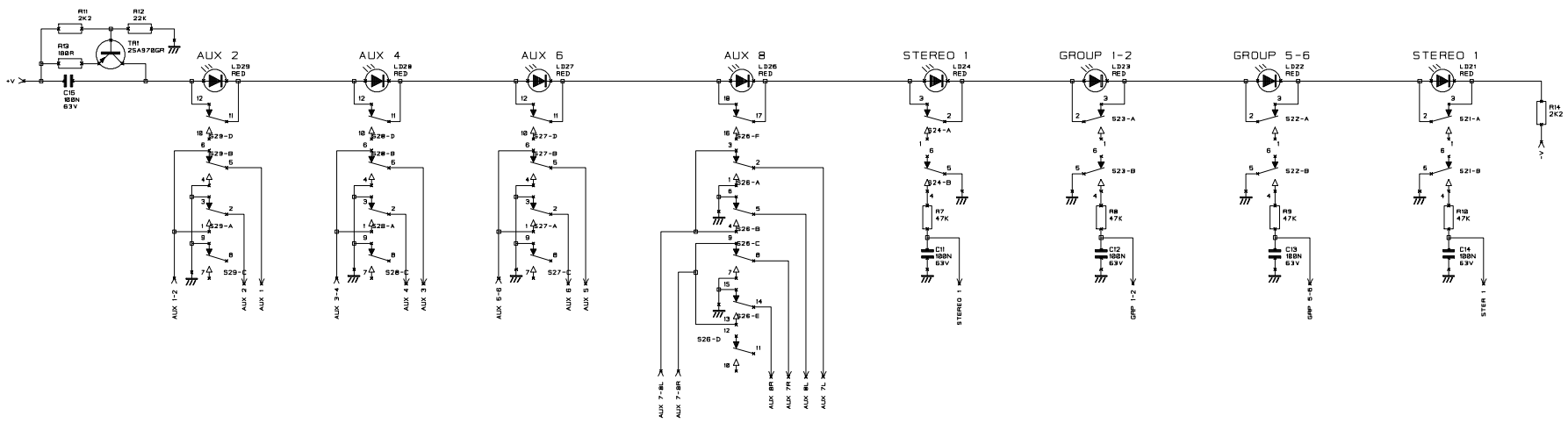
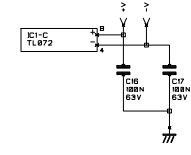
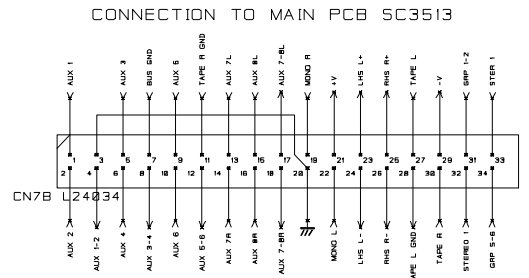
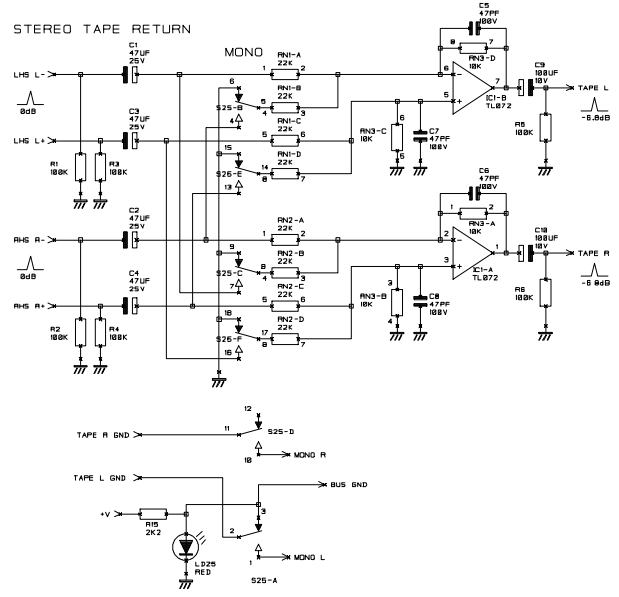


NOTES
LINK SWITCH 27, 28, 29 PINS 7&8
LINK SWITCH 26 PINS 4&5 AND 10&11

DRN.
CJH/VCR

TITLE
B400 MONO GROUP
OUTPUT SUB PCB

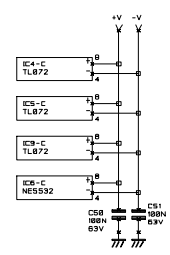
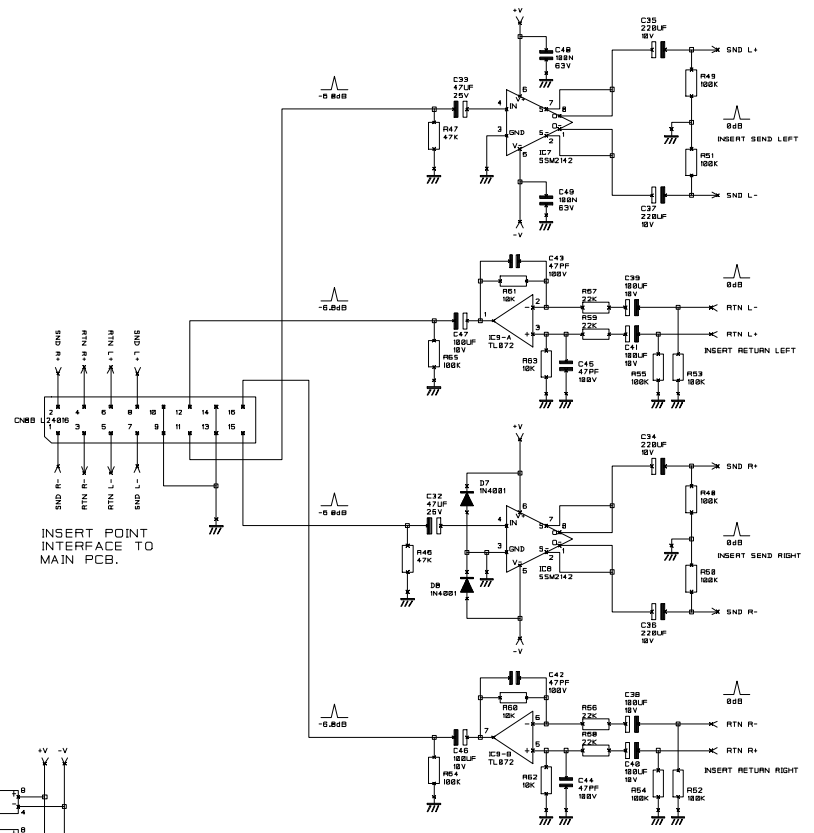
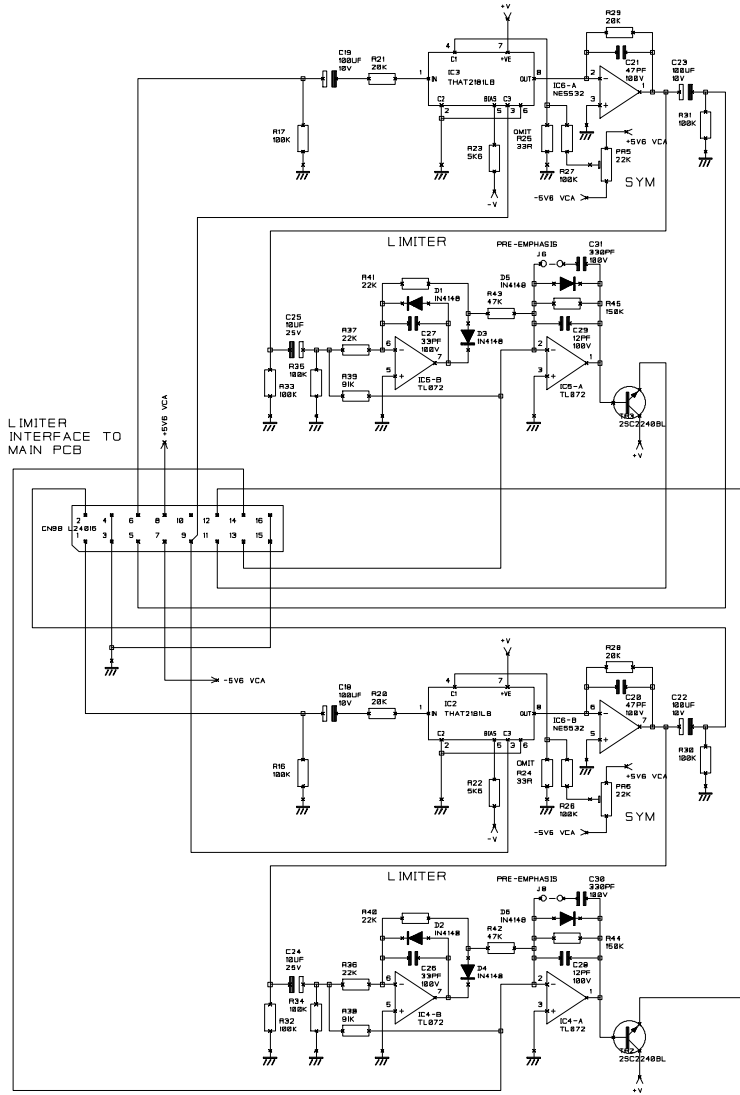
DRG NO
ED 3520B



NOTES
 COMPONENTS USED
 R1 - R15
 C1 - C7
 RN1 - RN3
 LD21 - LD29
 S21 - S29
 IC1
 TR1
 CN8B

DRN. CJH

TITLE
 B800 STEREO GROUP
 OUTPUT SUB PCB
 DRG NO
 ED3521A



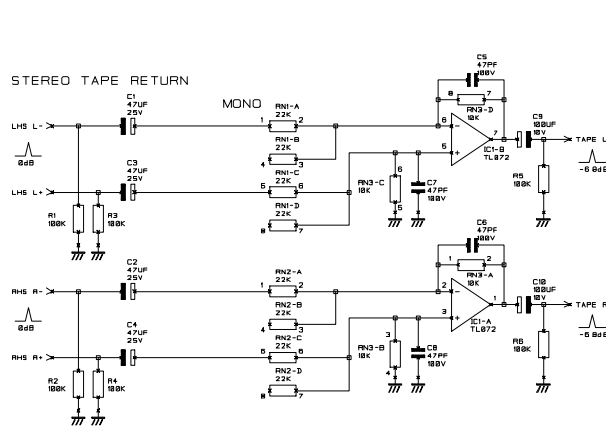
NOTES

COMPONENTS USED	LIMITER THRESHOLD
R16 - R17, R28 - R25	OPERATING LEVELS
C18 - C21	+6dB +4dB 0dB
TR2 - TR3	
IC2 - IC9	R38, R39 31K 68K 43K
D1 - D8	R42, R43 47K 35K 22K
PMS, PMS	
J6, J8	
CN8L, CN8B	

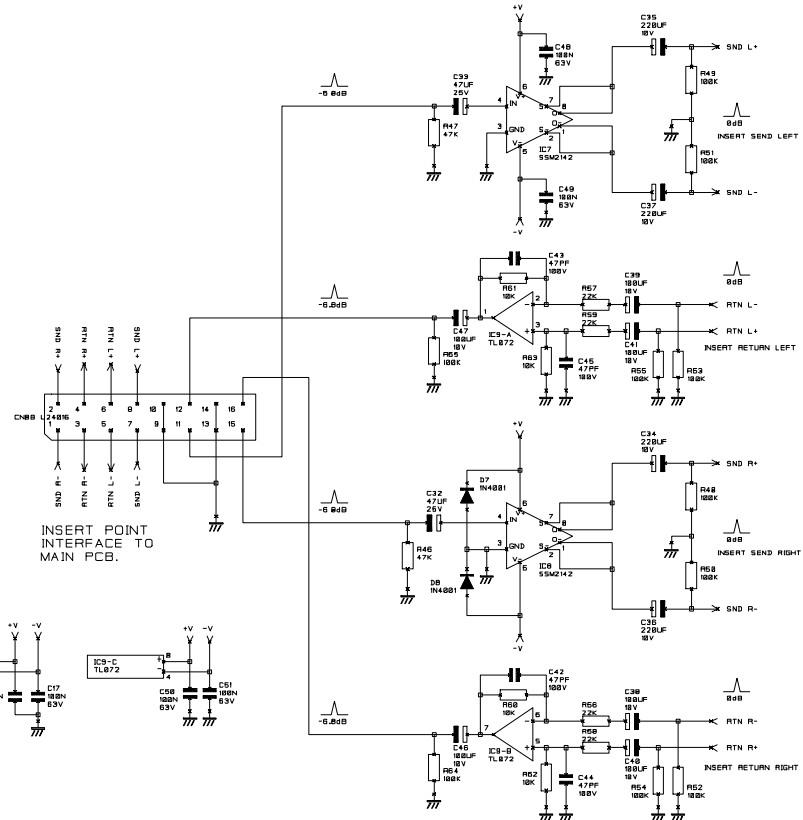
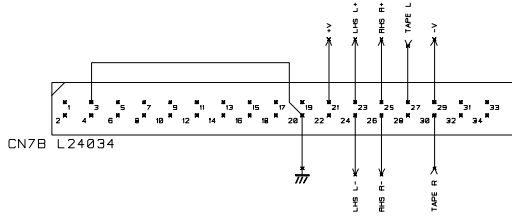
DRN. CJH

TITLE
B800 STEREO GROUP
OUTPUT SUB PCB

DRG NO
ED3521B



CONNECTION TO MAIN PCB SC3513



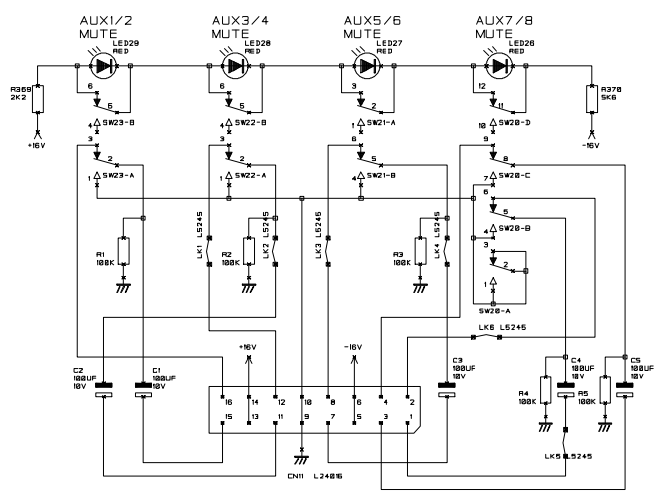
INSERT POINT INTERFACE TO MAIN PCB.

NOTES
COMPONENTS USED
R1 - R6, R46 - R65
C1 - C6, C8, C17, C32 - C51
RN1 - RN3
IC1, IC7 - IC9
CN8B, CN8D

LINK SWITCH 27, 28, 29 PINS 1&2
LINK SWITCH 26 PINS 4&5 AND 13&14

DRN. CJH

TITLE
B400 STEREO GROUP
OUTPUT SUB PCB
DRG NO.
ED 3521C



NOTES

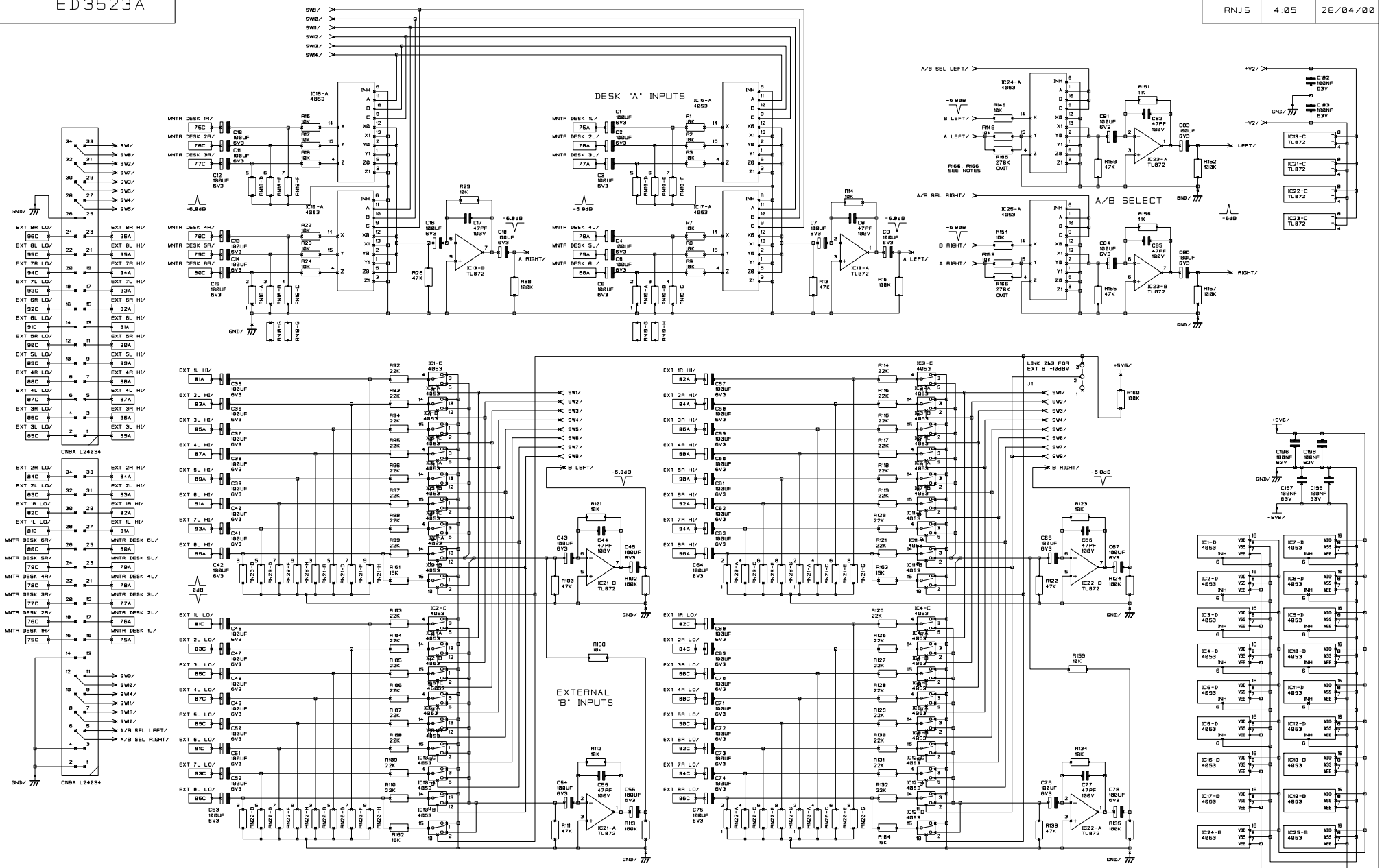
COMPONENTS USED: R369, R376
 LED29 - LED28
 SW28 - SW23
 CN1
 LK1 - LK6
 R1 - R5
 C1 - C5

THIS SUB BOARD IS USED WITH 8808 STEREO MASTER PCB SC3516 ISSUE 4

DRN. CJH

TITLE
 SOUNDCRAFT 8800
 STEREO MASTER
 SUB BOARD
 DRG NO
 ED3522

INITIAL	ISSUE	DATE
RNJS	4:05	28/04/00

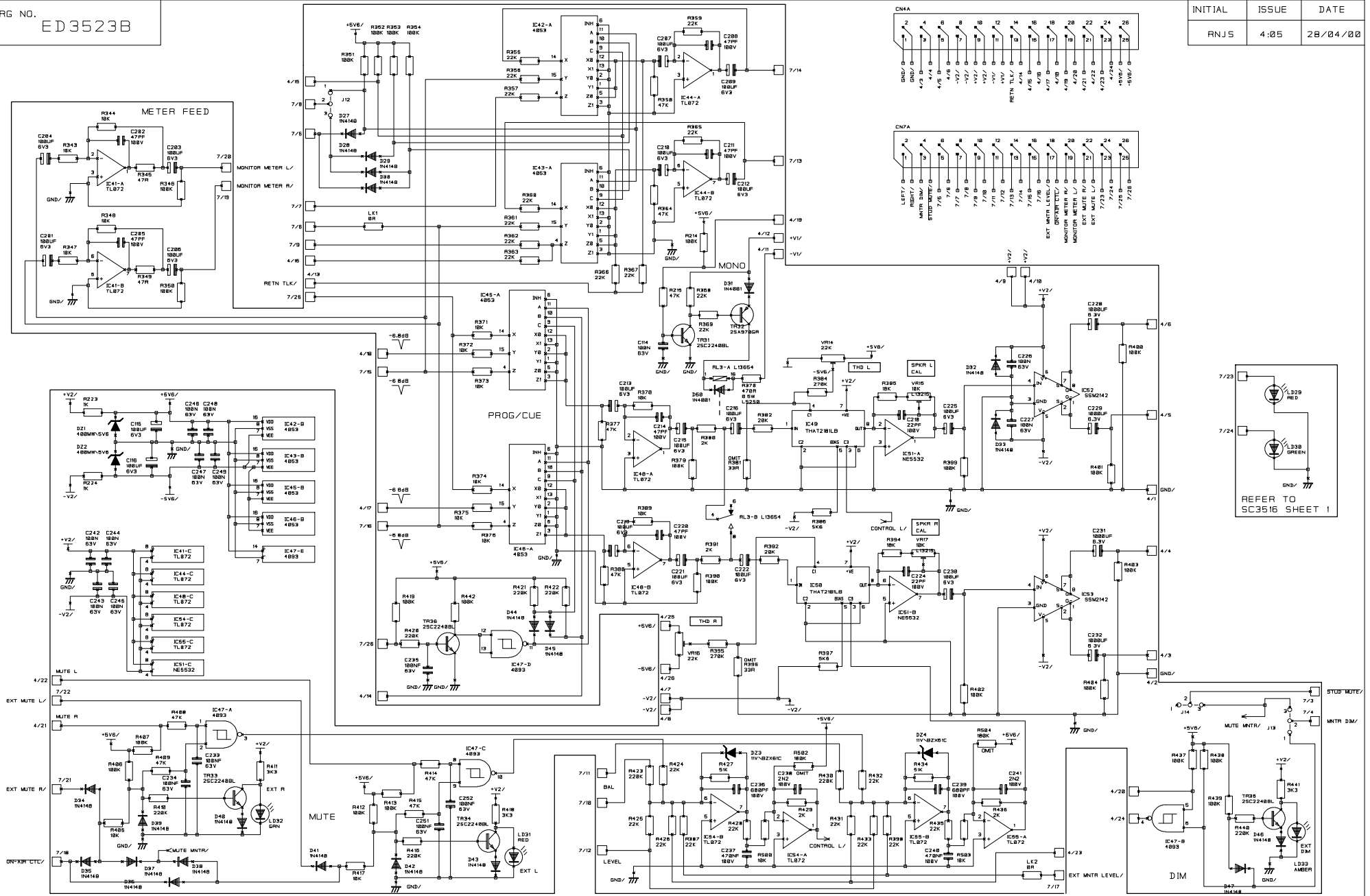


NOTES
R155, R166 ONLY FITTED WHEN STEREO MASTERS AND GROUPS HAVE OUTPUT TRANSFORMERS FITTED

DRN. CB/VCR

TITLE
B800 MONITOR
MODULE SUB PCB

INITIAL	ISSUE	DATE
RNJS	4:05	28/04/00



NOTES

FIT R582,R584 = 180K ONLY WHEN STEREO MASTER HAVE TRANSFORMERS

REFER TO SC3516 SHEET 2

OMIT D35 AND D37 EXCEPT FOR USE AS STUDIO MONITOR

DRN. CB/VCR

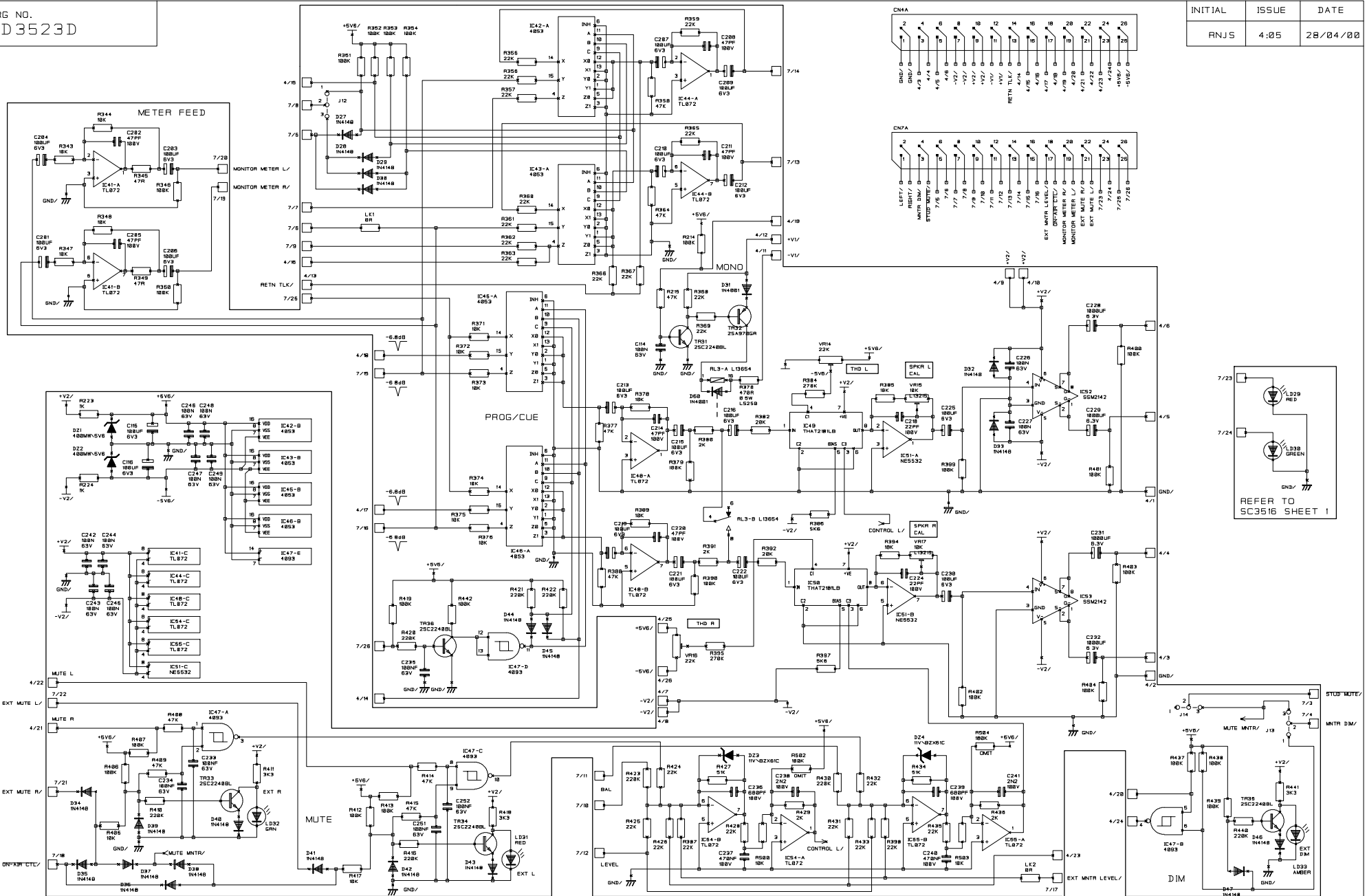
TITLE

B800 MONITOR

MODULE SUB PCB

DRG NO. ED3523B

INITIAL	ISSUE	DATE
RNJS	4:05	28/04/00

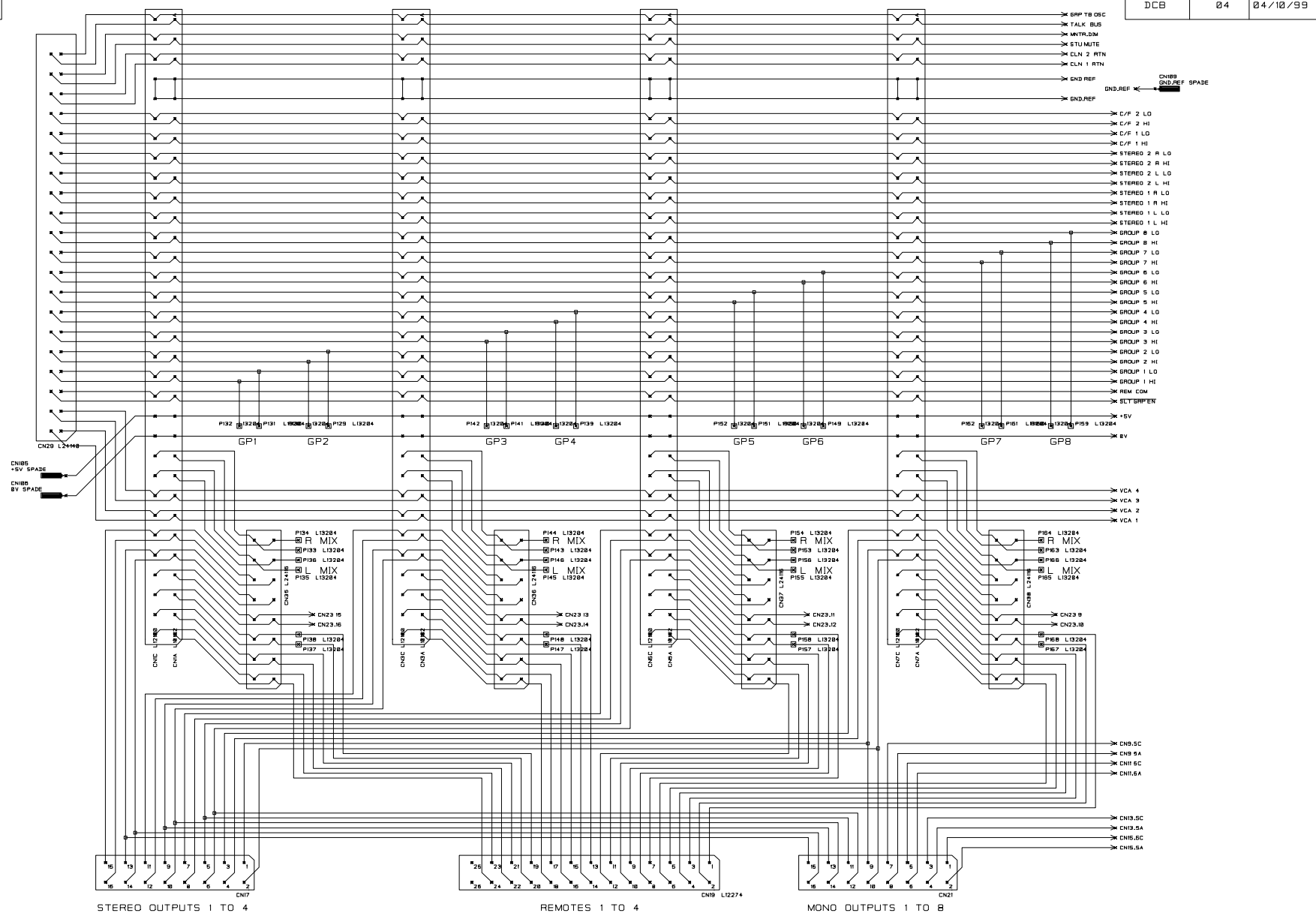


NOTES
 FIT R582,R584 = 100K ONLY WHEN STEREO MASTER HAVE TRANSFORMERS
 REFER TO SC3516 SHEET 2
 OMIT D35 AND D37 EXCEPT FOR USE AS STUDIO MONITOR

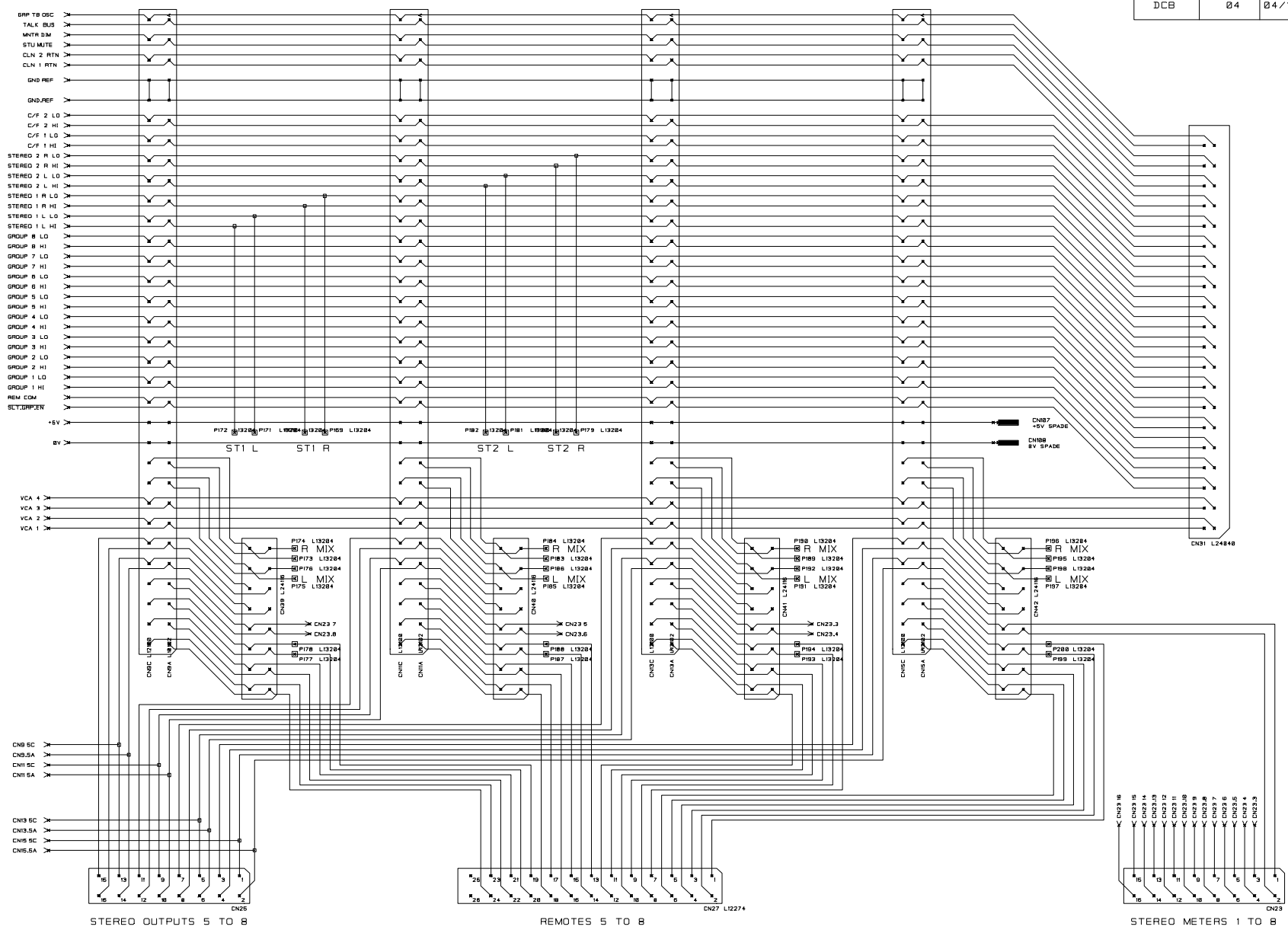
DRN. CB/VCR

TITLE
 B400 MONITOR
 MODULE SUB PCB
 DRG NO
 ED3523D

INITIAL	ISSUE	DATE
DCB	04	04/10/99



NOTES	DRN.	CJH	TITLE
			B800 8 WAY MOTHERBOARD
			DRG NO. ED3555A

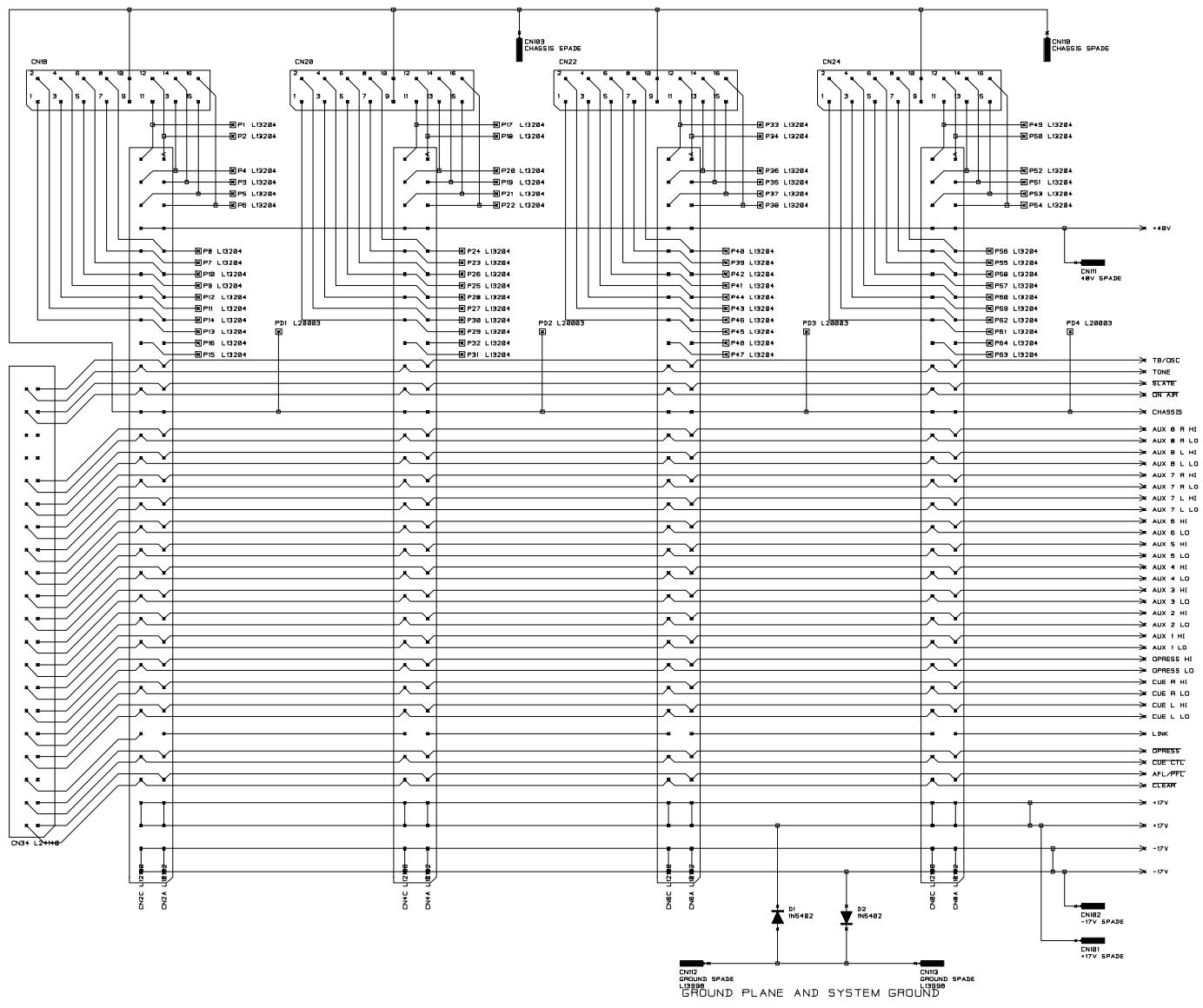


NOTES

DRN.
CJH

TITLE
B800 8 WAY
MOTHERBOARD

DRG NO
ED3555B

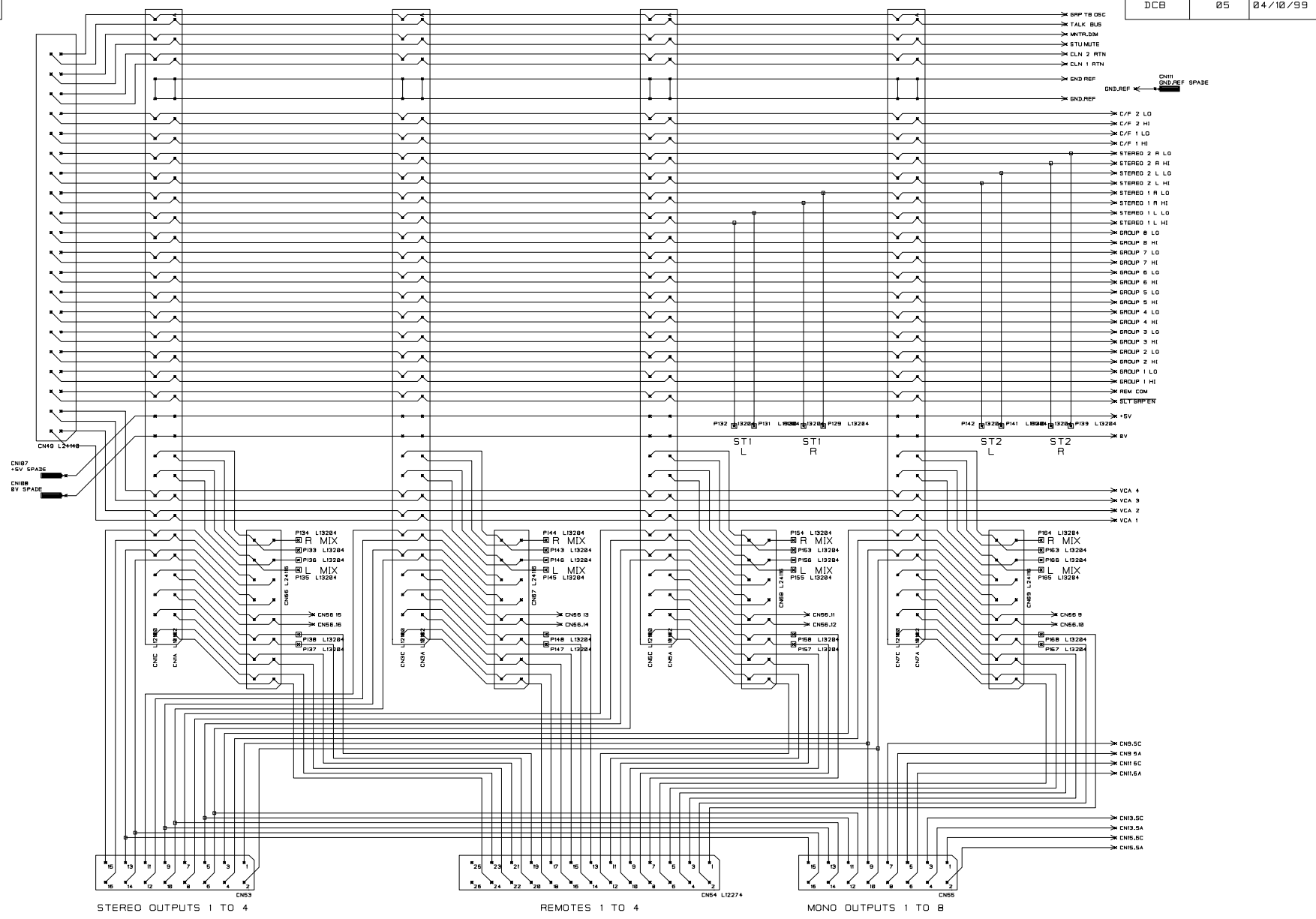


NOTES

DRN. C.J.H.

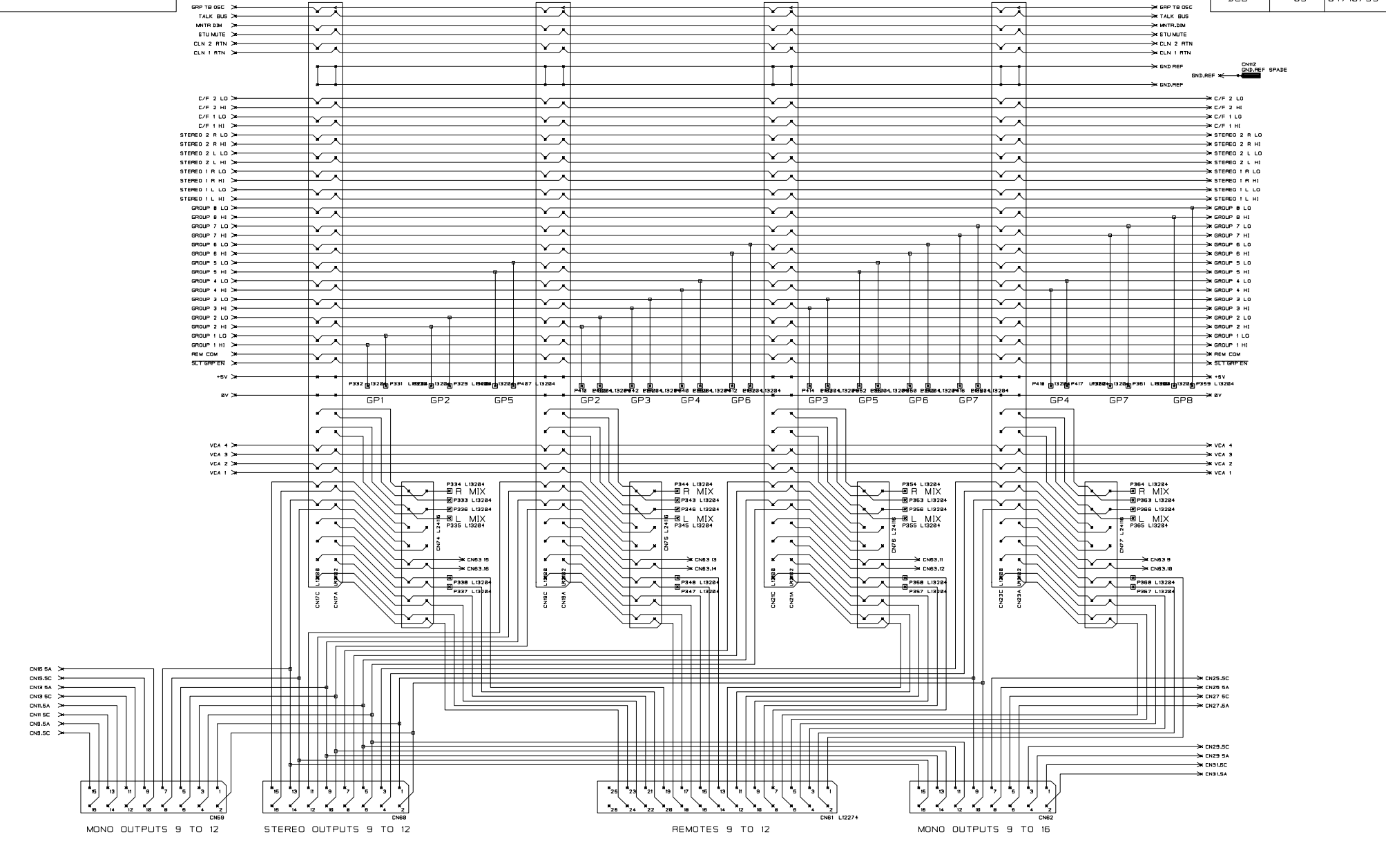
TITLE
B800 8 WAY
MOTHERBOARD

DRG NO. ED3555C



NOTES	DRN.	TITLE B800 16 WAY MOTHERBOARD
	CJH	
		DRG NO. ED3556A

INITIAL	ISSUE	DATE
DCB	05	04/10/99

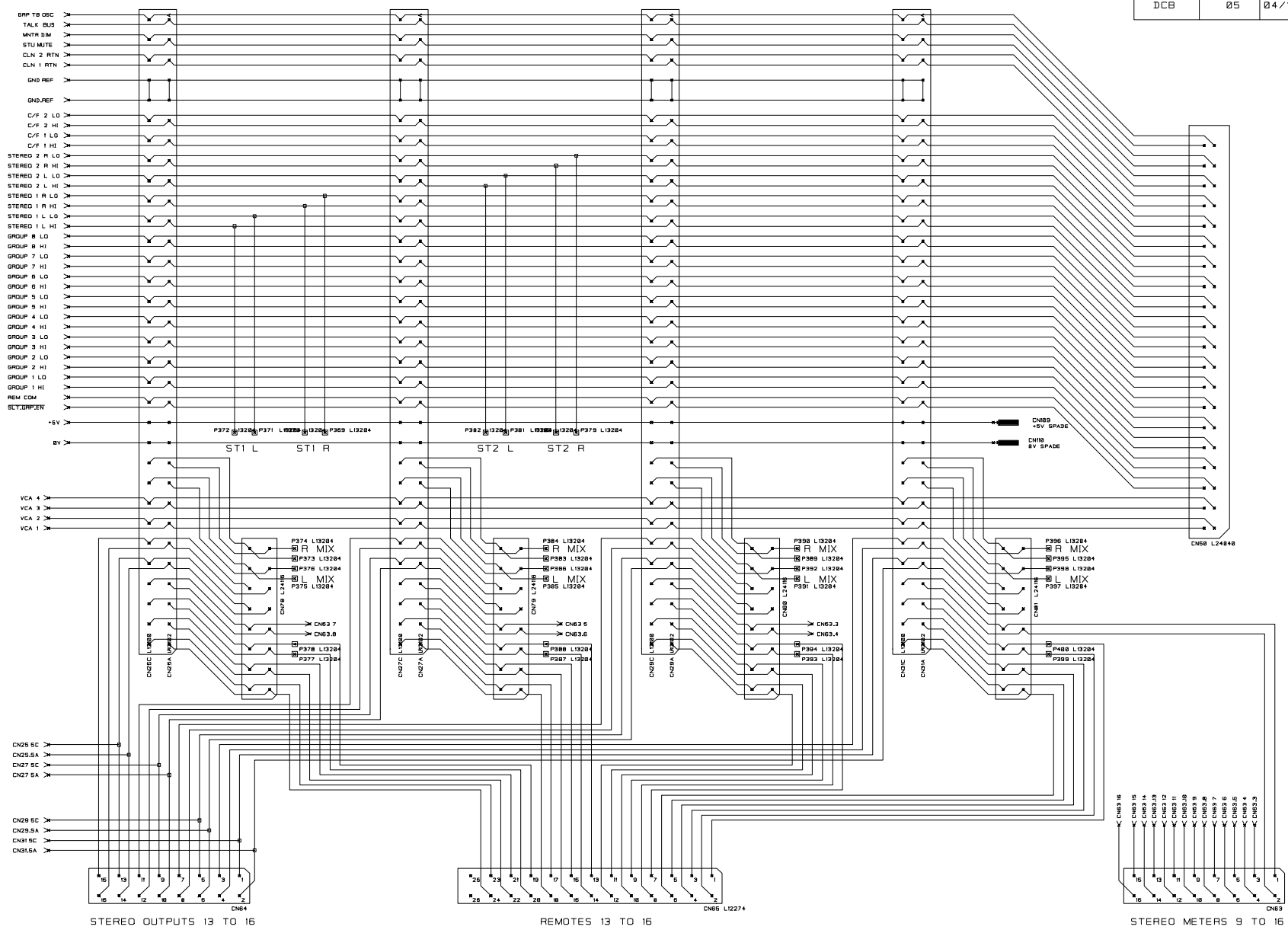


NOTES

DRN.
CJH

TITLE
B800 16 WAY
MOTHERBOARD

DRG NO
ED3556C

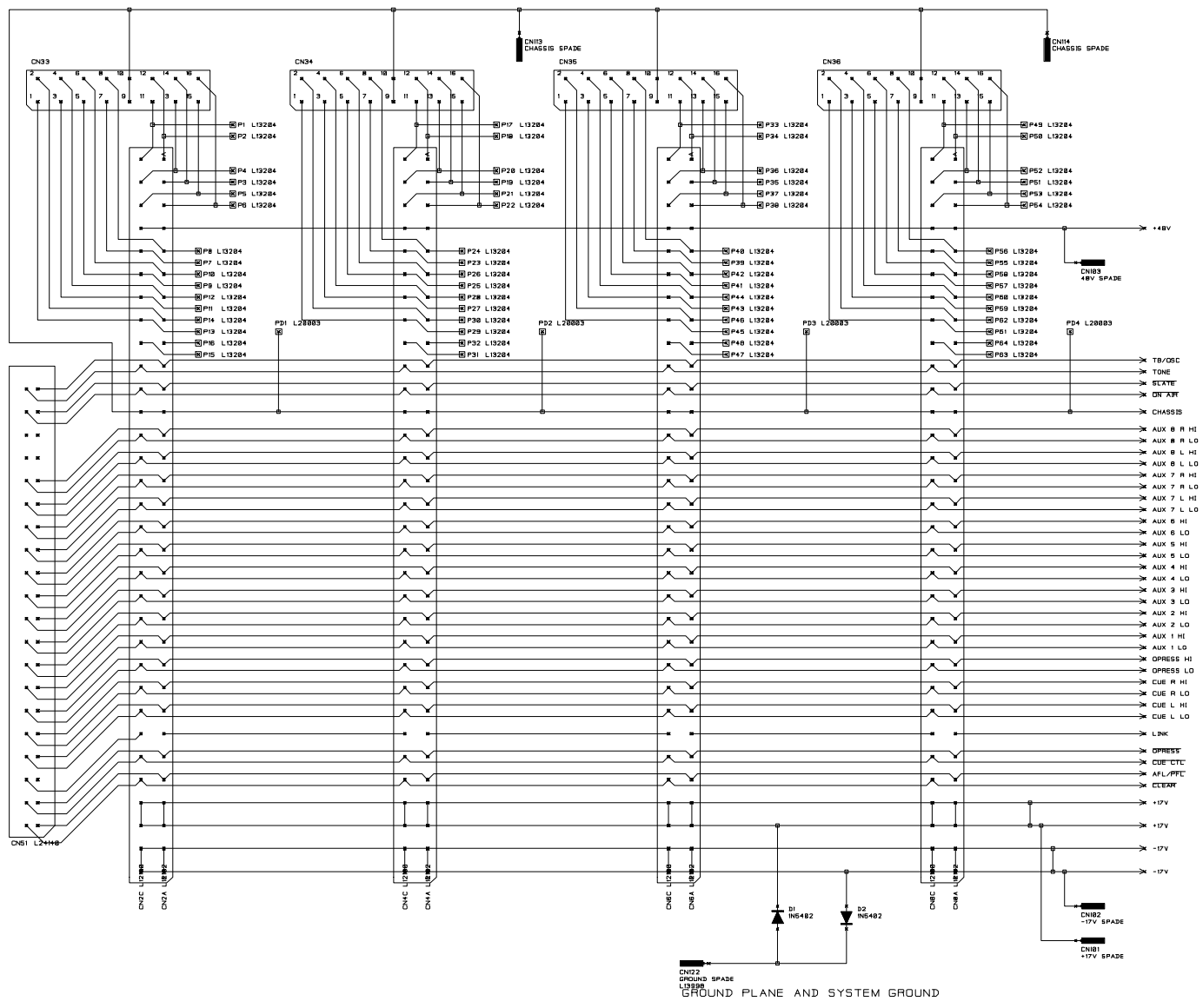


NOTES

DRN.
CJH

TITLE
B800 16 WAY
MOTHERBOARD

DRG NO
ED3556D

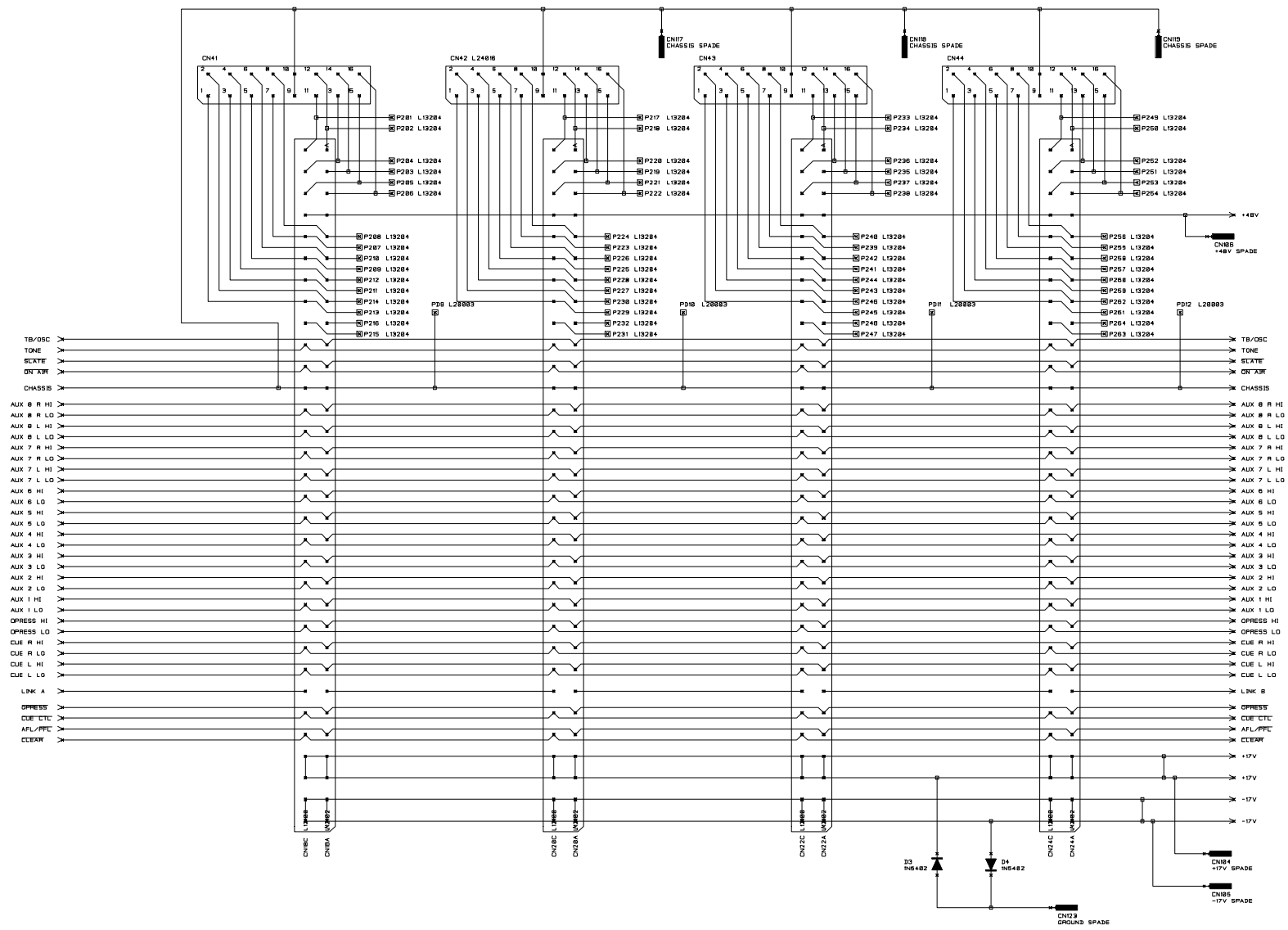


NOTES

DRN. C.J.H.

TITLE
B800 16 WAY
MOTHERBOARD

DRG NO. ED3556E

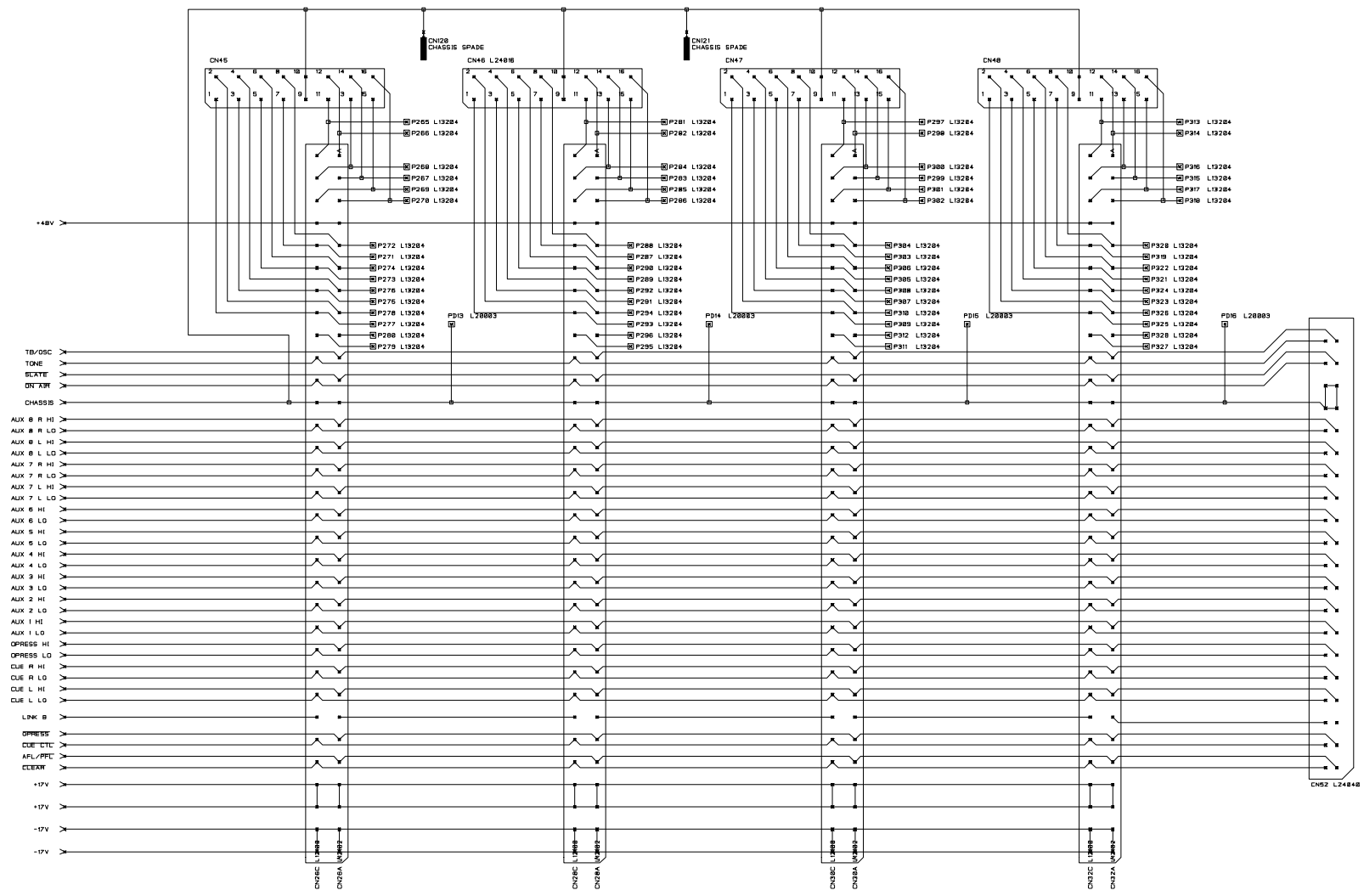


NOTES

DRN. C.J.H.

TITLE
B800 16 WAY
MOTHERBOARD

DRG NO. ED3556G

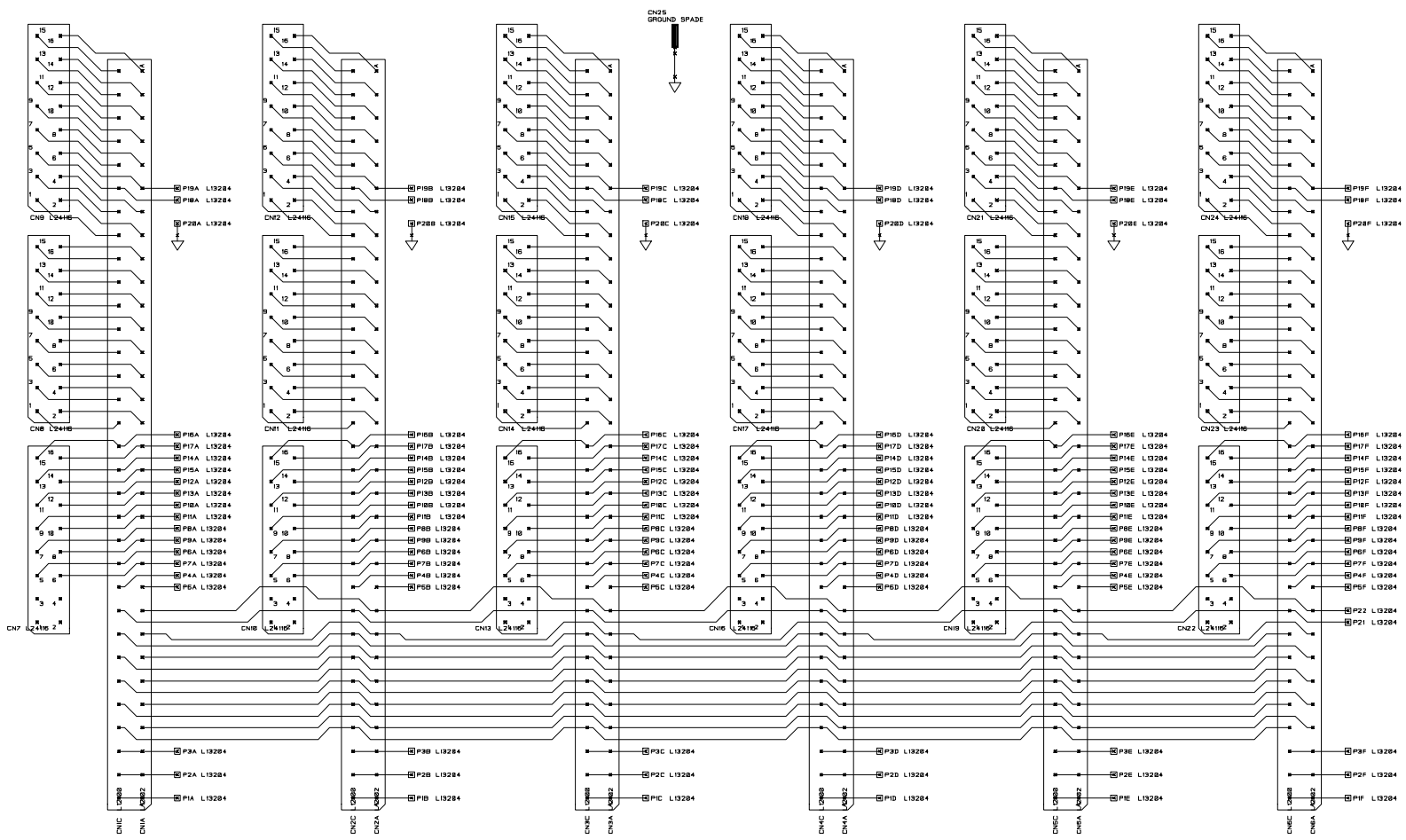


NOTES

DRN. C.J.H.

TITLE
B800 16 WAY
MOTHERBOARD

DRG NO. ED3556H



NOTES

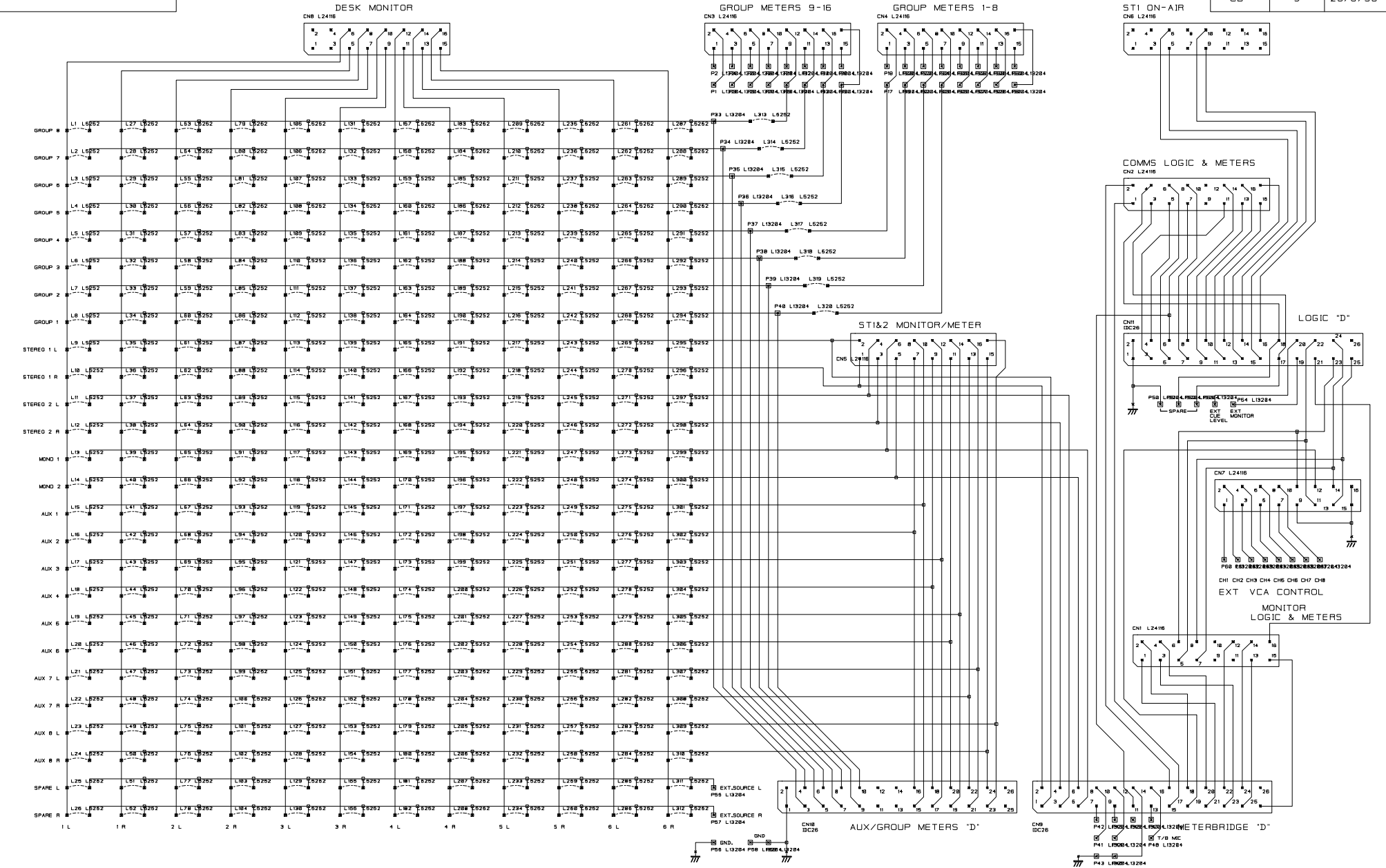
DRN. CJH

TITLE
BB00 6 WAY MASTER
SECTION MOTHERBOARD

DRG NO
ED3557

DRG NO. ED3558

INITIAL	ISSUE	DATE
CB	3	26/6/96

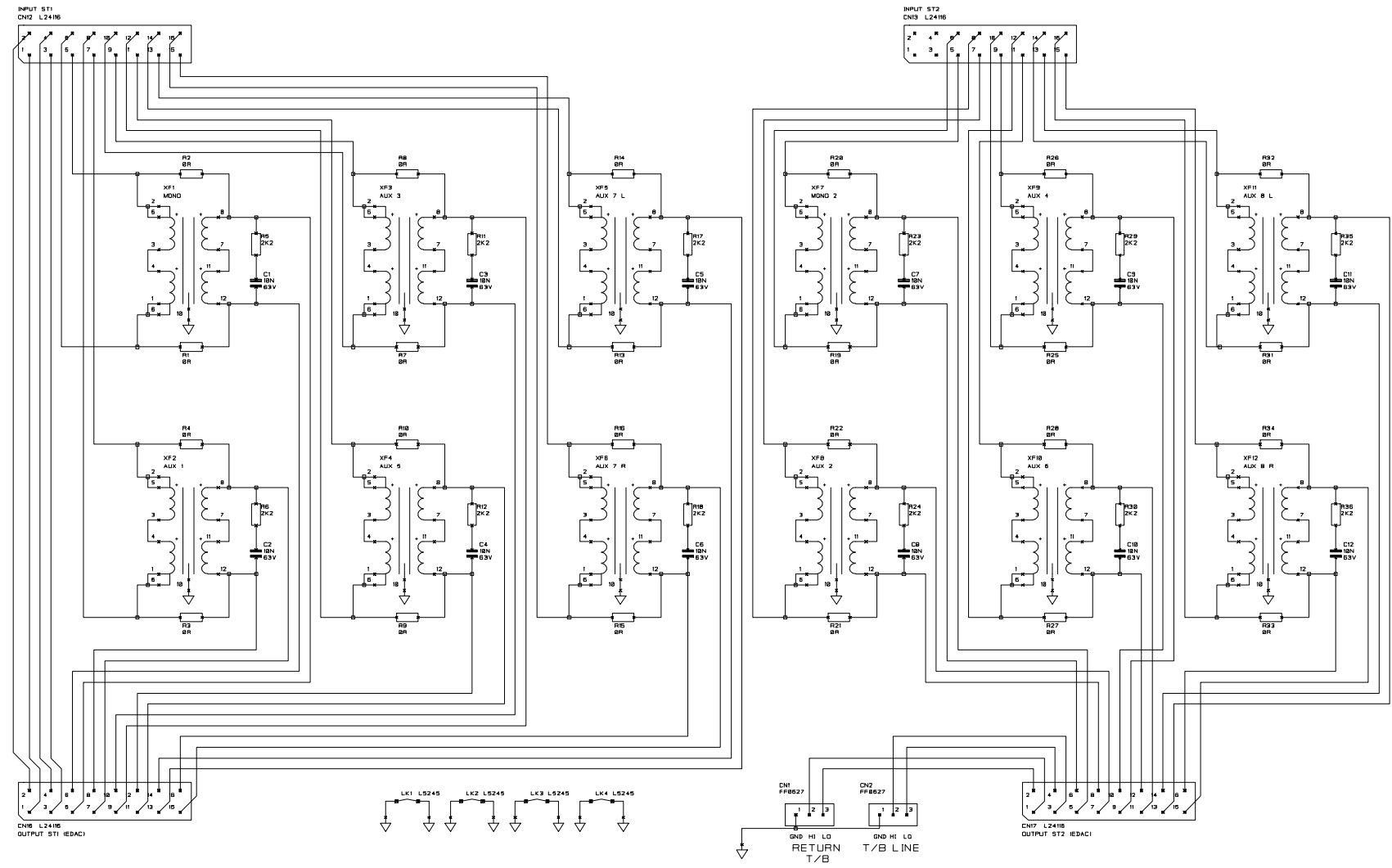


NOTES

DRN. CJH

TITLE
SOUNDRAFT 8800
SCRAMBLE CARD

DRG NO. ED3558



NOTES

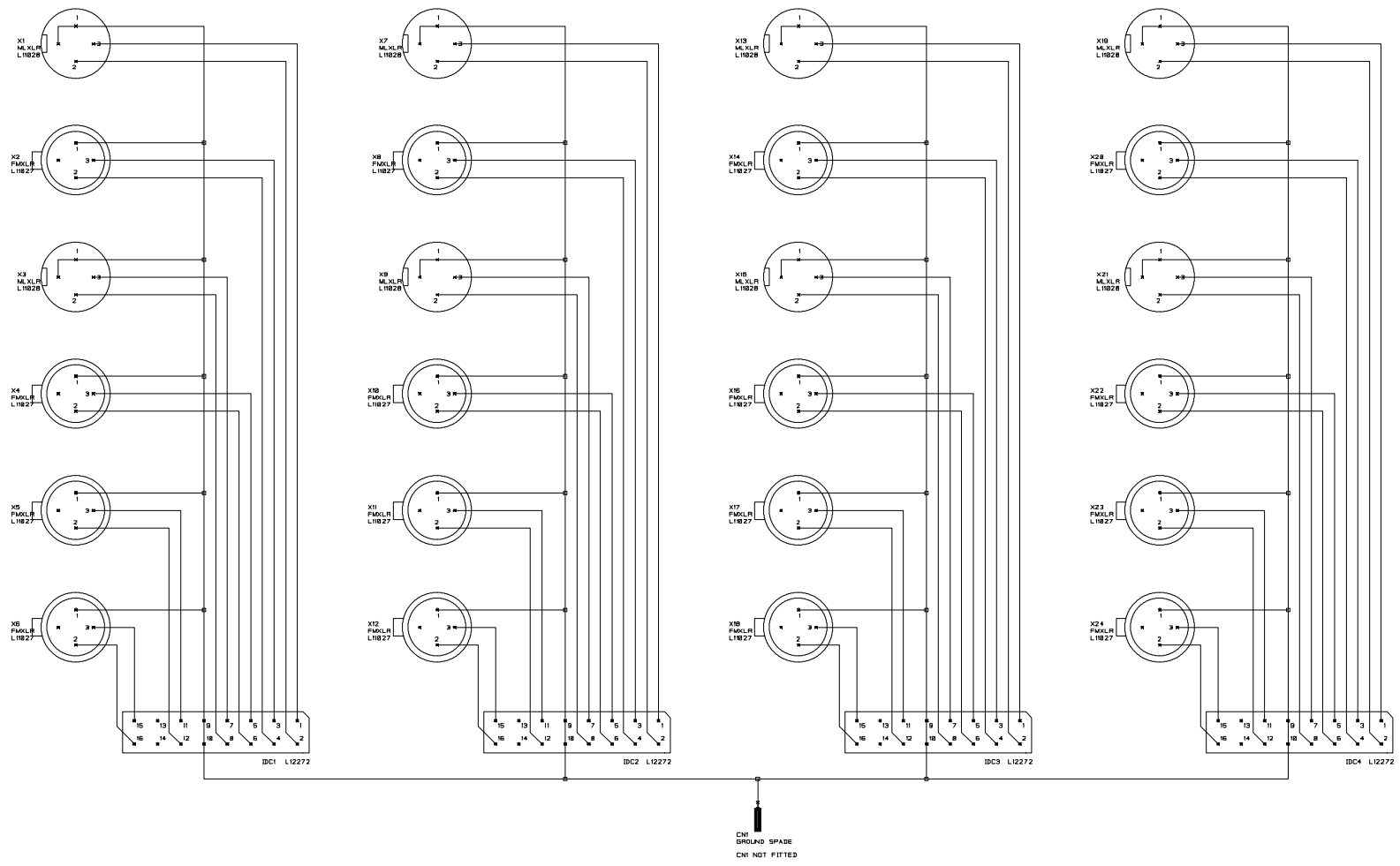
COMPONENTS USED
 R1 - R36
 C1 - C12
 XF1 - XF12
 P1 - P6
 LK1 - LK4
 CN12, CN13, CN16, CN17

THE BR RESISTORS ARE FITTED WHEN TRANSFORMERS ARE NOT REQUIRED

DRN. CJH

TITLE
 SOUNDRAFT
 B800/B400
 TRANSFORMER PCB

DRG NO. ED3559

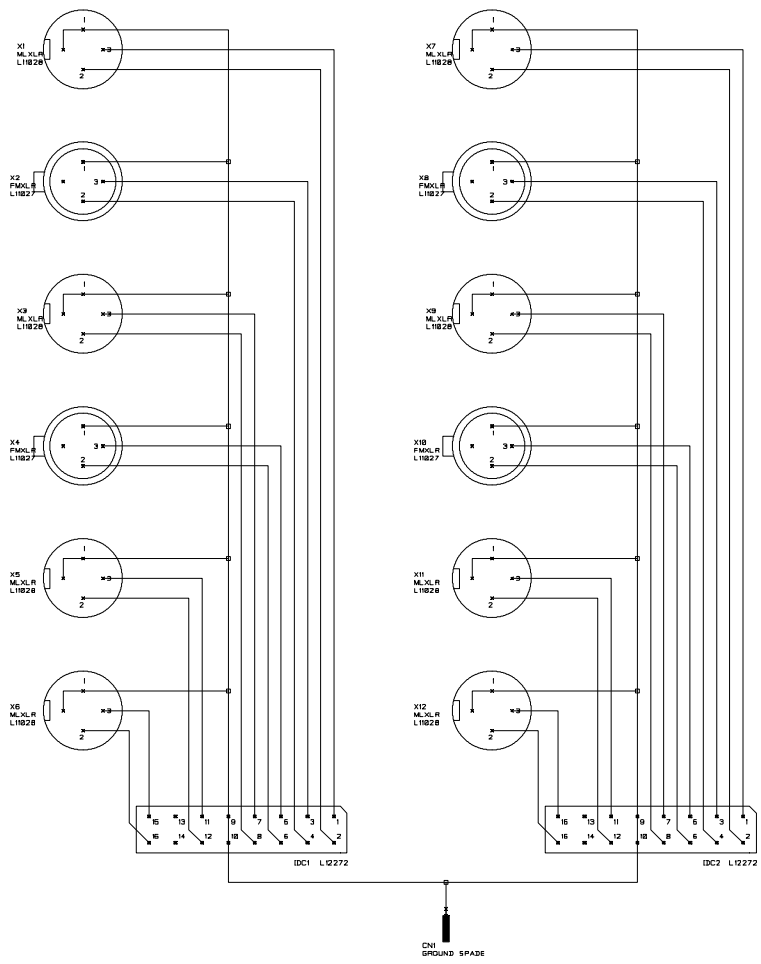


NOTES

DRN.

TITLE
BB00 4 WAY 1/P-GROUP
REAR CONNECTOR PANEL

DRG NO
ED 3561

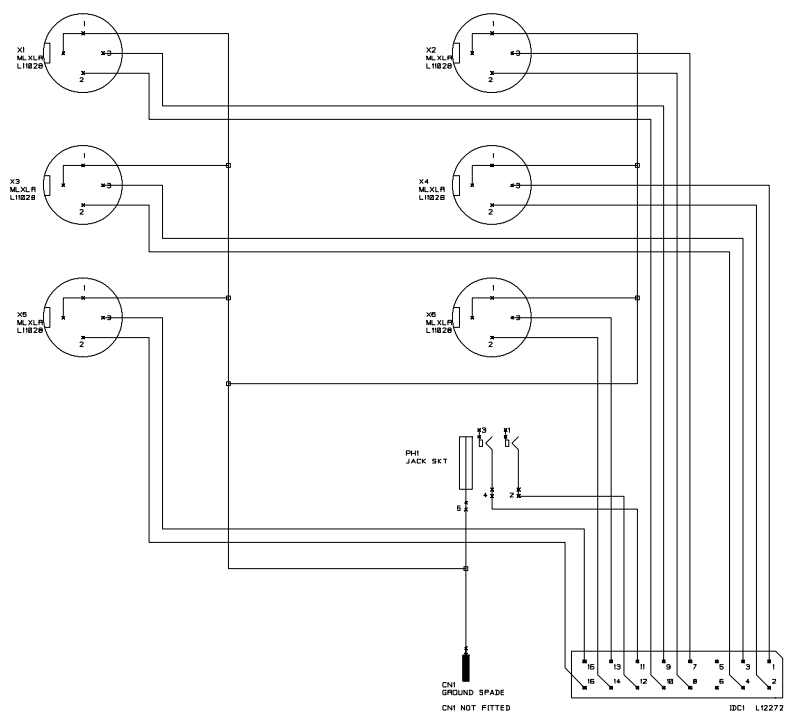


NOTES

DRN.

TITLE
 BB00 2 WAY
 STEREO MASTER
 REAR CONNECTOR PANEL

DRG NO. ED3563



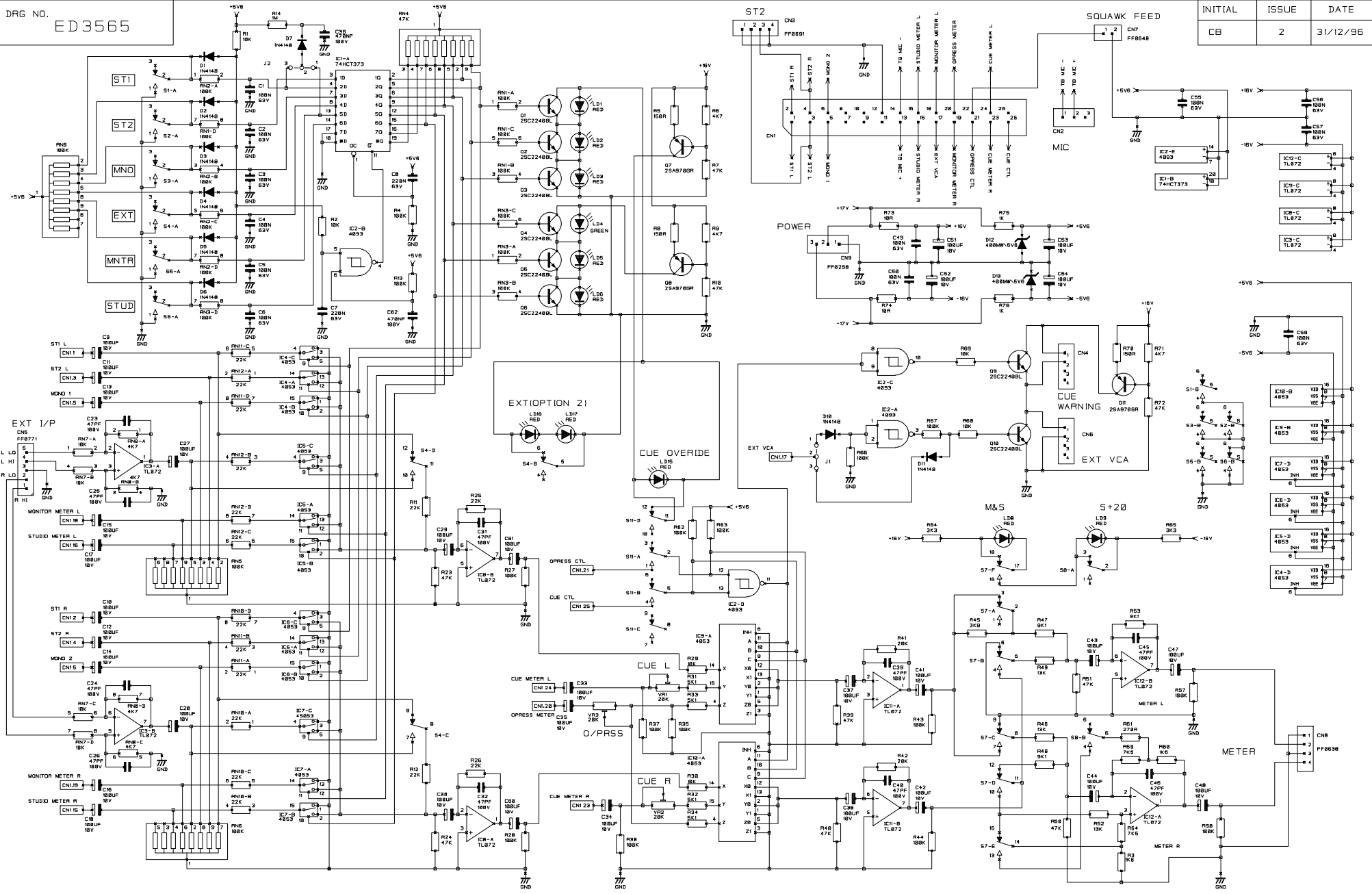
NOTES

DRN.

TITLE
 BB00 2 WAY
 MONITOR/COMMS
 REAR CONNECTOR PANEL

DRG NO. ED 3564

INITIAL	ISSUE	DATE
CB	2	31/12/96



NOTES

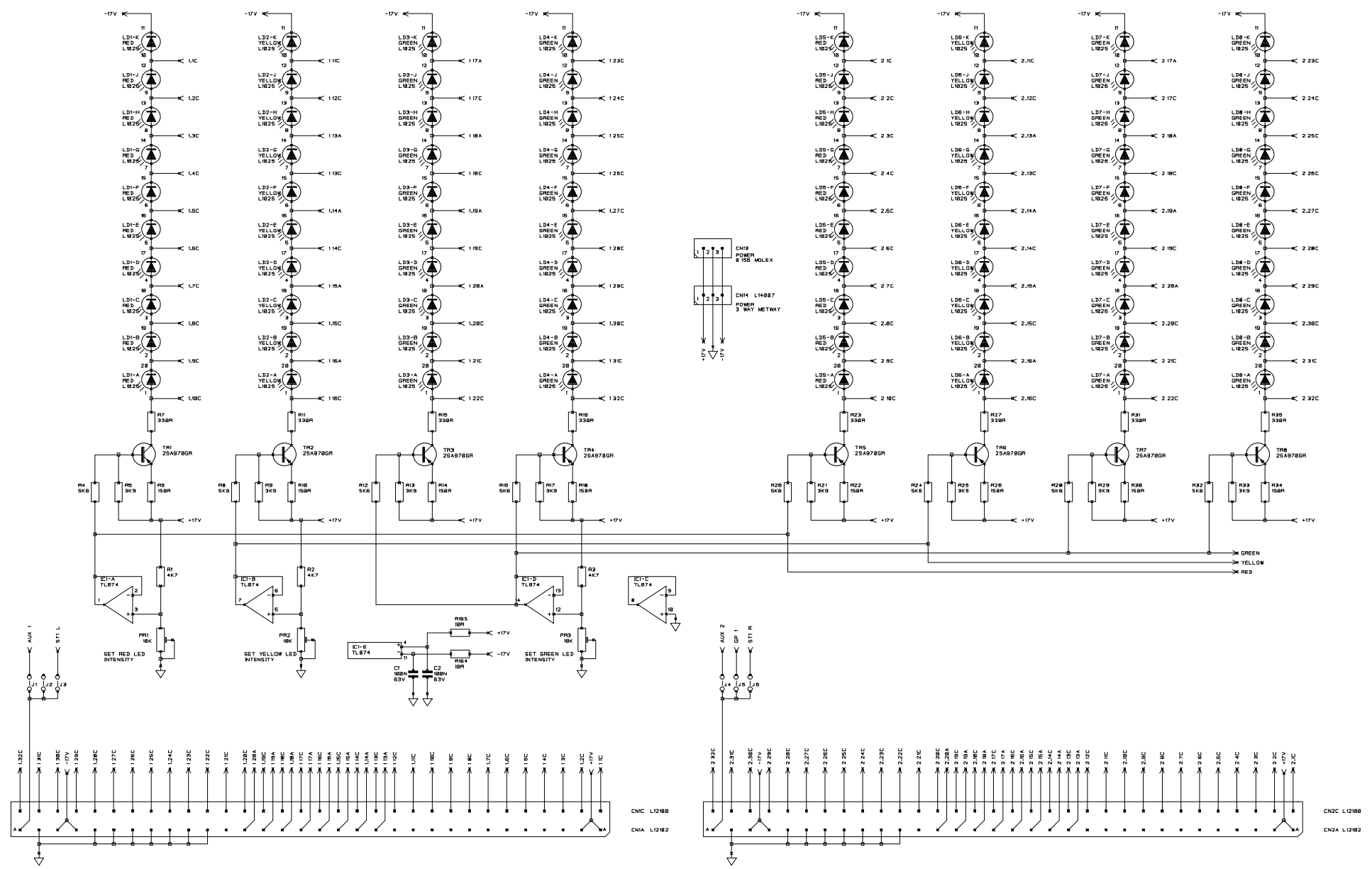
- COMPONENTS USED
 R1 - R7B S1 - S11
 C1 - C81
 D1 - D13
 LD1 - LD7
 Q1 - Q11
 RN1 - RN12
 CN1 - CN6
 P1 - P8
 IC1 - IC12
- VERSION 1
 S4 IS TWO POLE MOMENTARY DP8528
 LDR, LDR NOT FITTED
 RN1, RN2 NOT FITTED
- VERSION 2
 S4 IS FOUR POLE LATCHING DP8538
 LD1 - LDR NOT FITTED
 Q1 - Q8 NOT FITTED
 RN1 - RN4 NOT FITTED
 RN5 - RN12 NOT FITTED
 D1 - D8 NOT FITTED
 C1 - C8 NOT FITTED
 P1 - P8
 IC1 AND IC4 - IC7 NOT FITTED
- IC11 - C8 NOT FITTED
 P8 - P8 NOT FITTED
 Q8 NOT FITTED
 Q1 - Q8 NOT FITTED
 S1 - S3, S5, S6 NOT FITTED
- J1 - FIT 1-2 - ACTIVE HIGH
 2-3 - ACTIVE LOW
 EXT VCA CONTROL INPUT
- J2 - FIT 1-2 - MONITOR +
 2-3 - S11
 METER SOURCE ON START UP

DRN.

CJH

TITLE
 B800
 METER MASTER
 METER SELECT

DRG NO. ED3565



NOTES

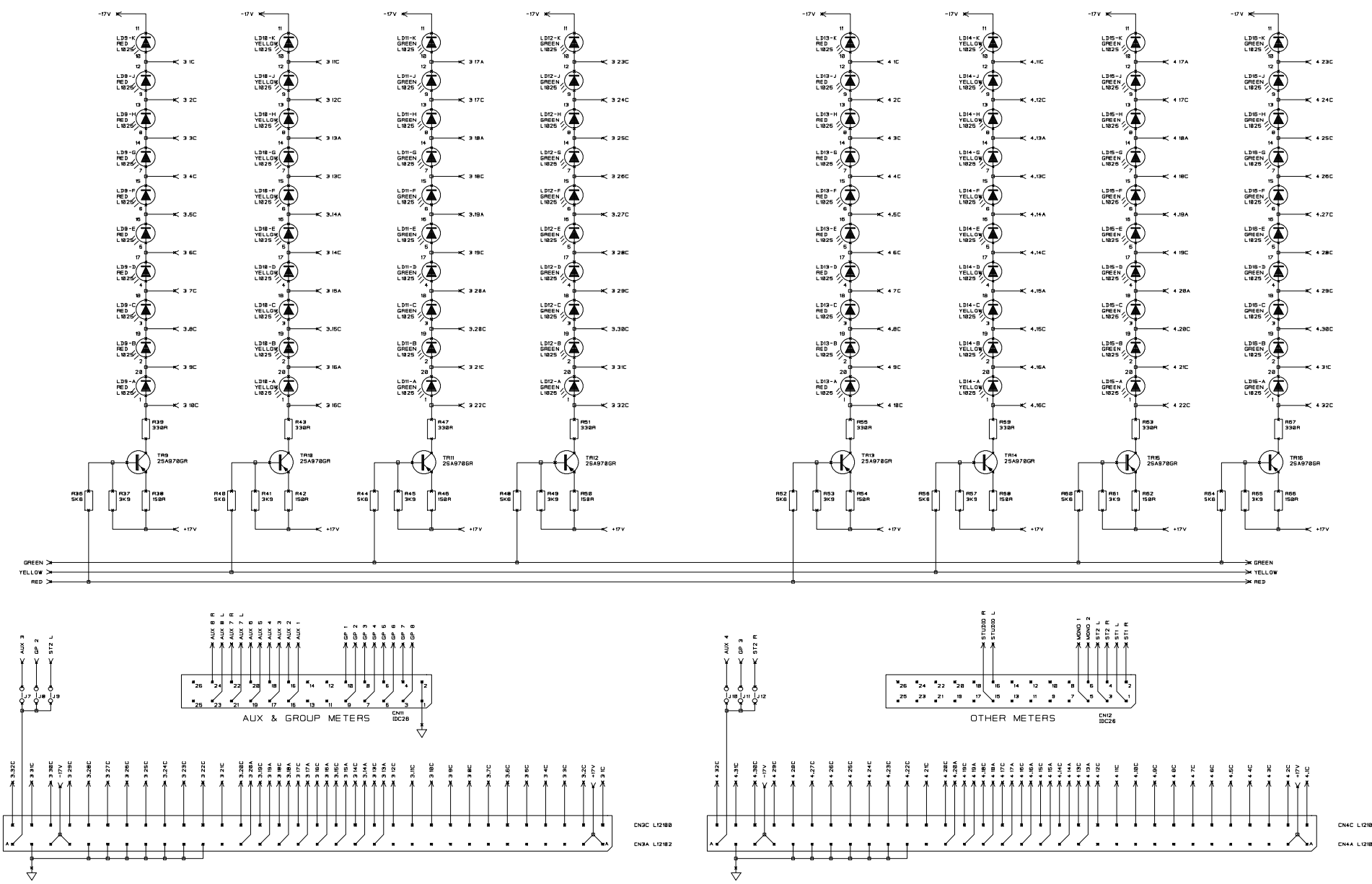
COMPONENTS USED
 R1 - R36, R164, R165
 C1 - C2
 C3
 LD1 - LD8
 TR1 - TR8
 J1 - J8
 CN1, CN2, CN9, CN4

PCB TYPE SC3566 ISSUE 1

DRN. CJH

TITLE
 B800 LED PPM METER
 DISPLAY BOARD

DRG NO. ED3566A



NOTES

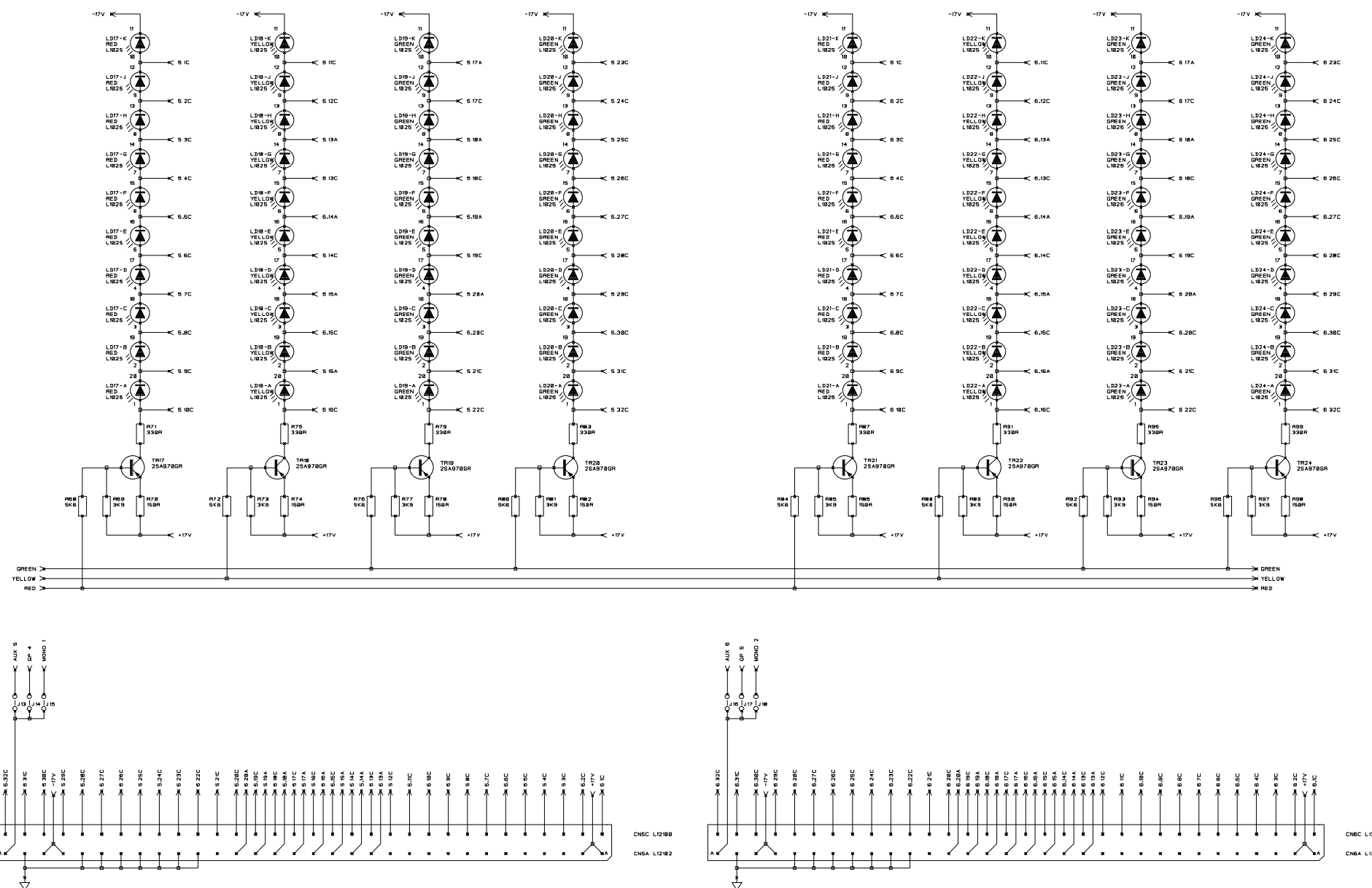
COMPONENTS USED PCB TYPE SC3566 ISSUE 1

R36 - R67
 LD9 - LD13
 TR9 - TR12
 J7 - J12
 CN3, CN4, CN1, CN2

DRN. CJH

TITLE
 B800 LED PPM METER
 DISPLAY BOARD

DRG NO. ED3566B



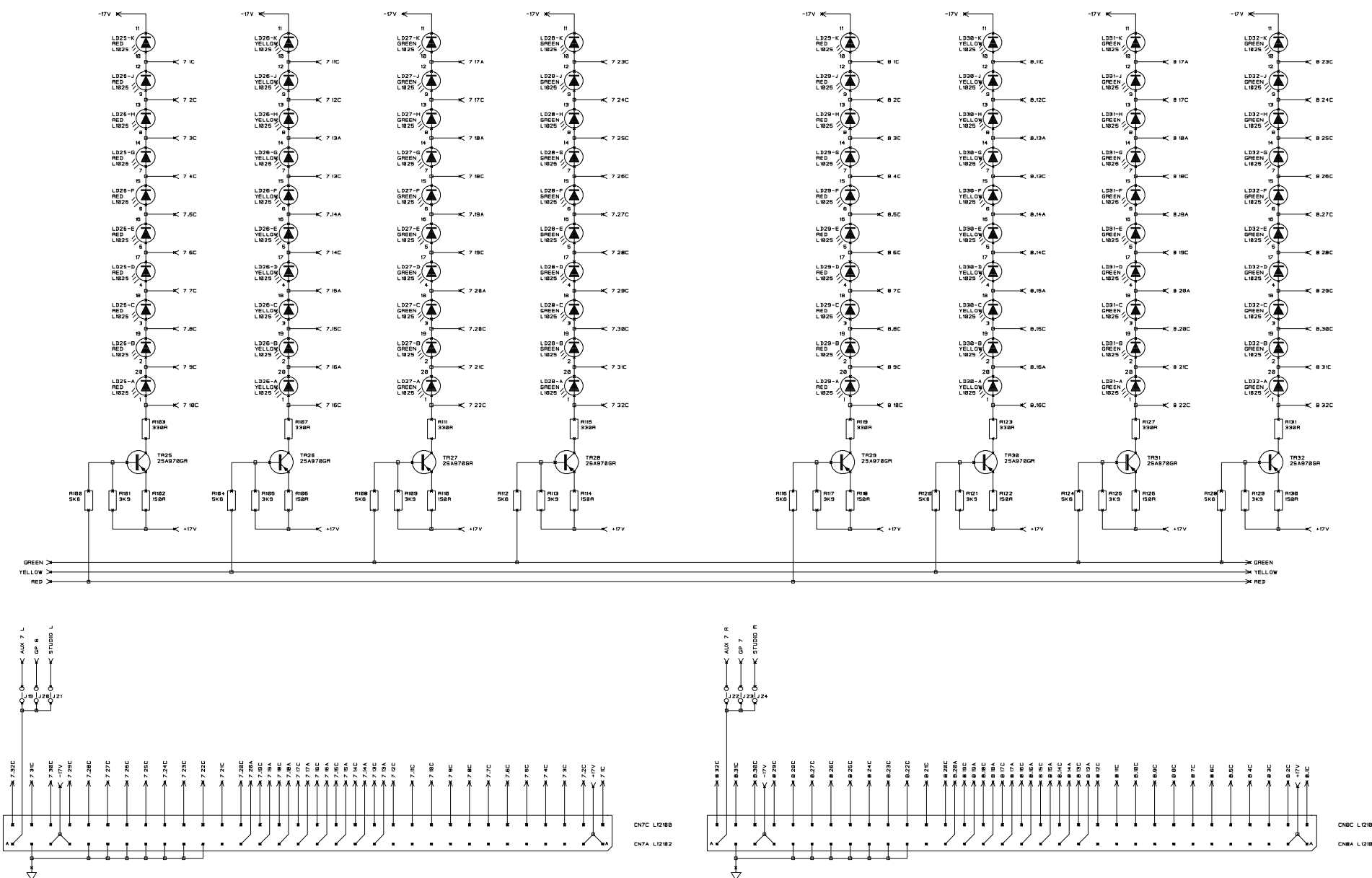
NOTES

COMPONENTS USED PCB TYPE SC3566 ISSUE 1
 R68 - R89
 LD17 - LD24
 TR17 - TR24
 J13 - J18
 CN5 - CN6

DRN. CJH

TITLE
 B800 LED PPM METER
 DISPLAY BOARD

DRG NO. ED3566C

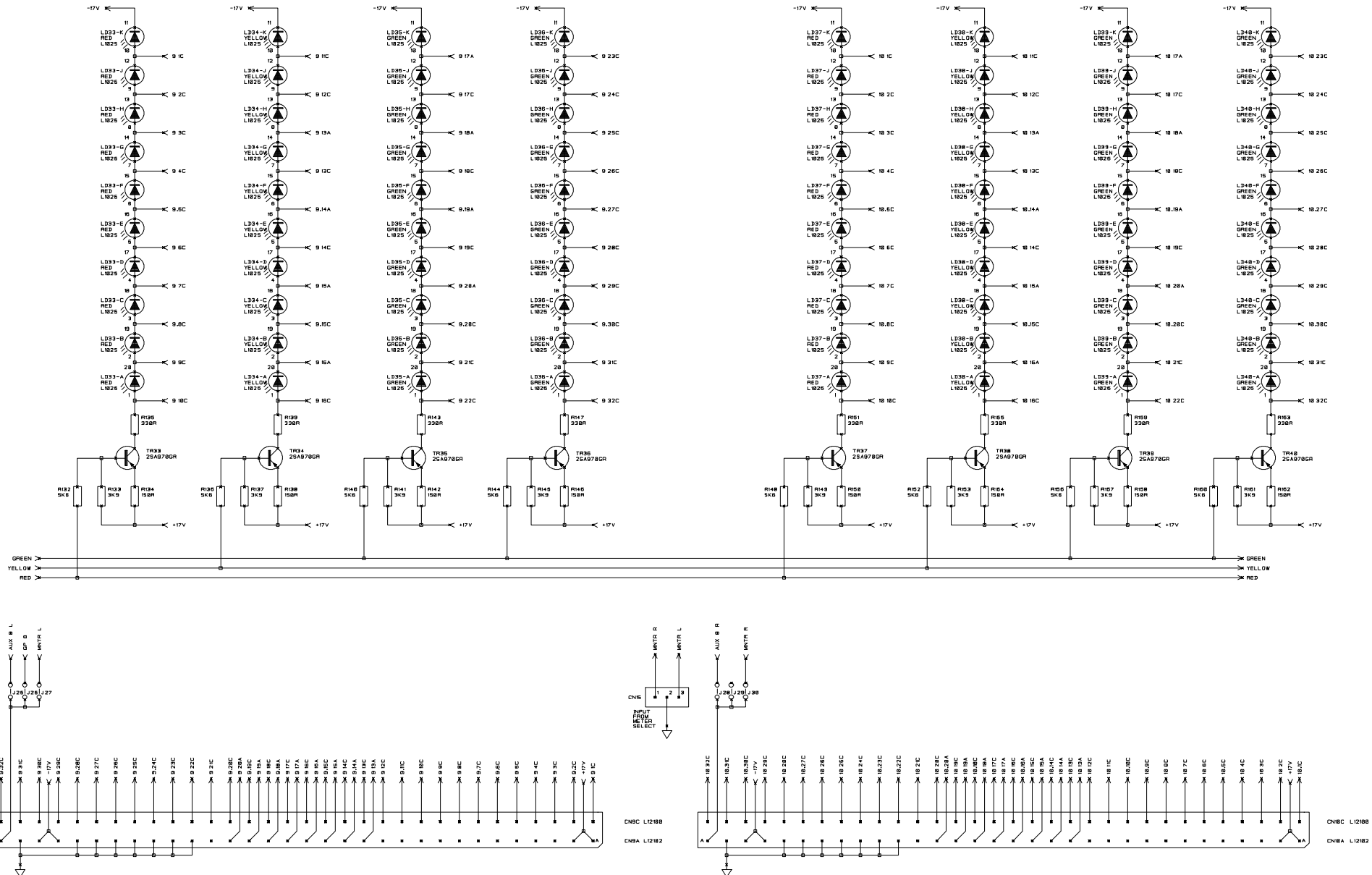


NOTES
 COMPONENTS USED PCB TYPE SC3566 ISSUE 1
 R108 - R131
 LD25 - LD32
 TR25 - TR32
 J18 - J24
 CNP - CN8

DRN. CJH

TITLE
 B800 LED PPM METER
 DISPLAY BOARD

DRG NO. ED3566D



NOTES

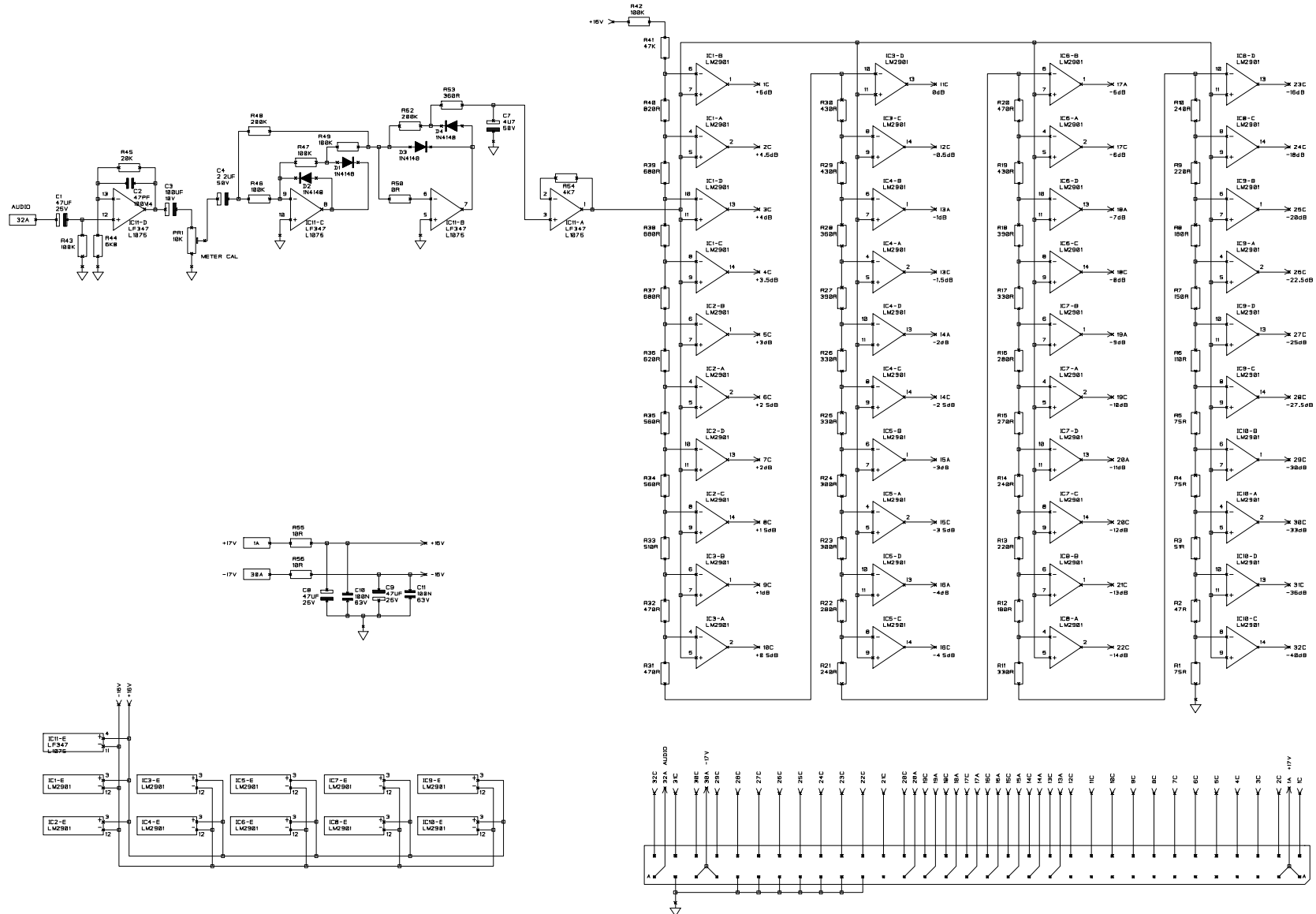
COMPONENTS USED PCB TYPE SC3566 ISSUE 1

R132 - R163
 LD33 - LD40
 TR33 - TR40
 J25 - J30
 CN5, CN8, CN8A, CN8C

DRN. CJH

TITLE
 B800 LED PPM METER
 DISPLAY BOARD

DRG NO. ED3566E



NOTES

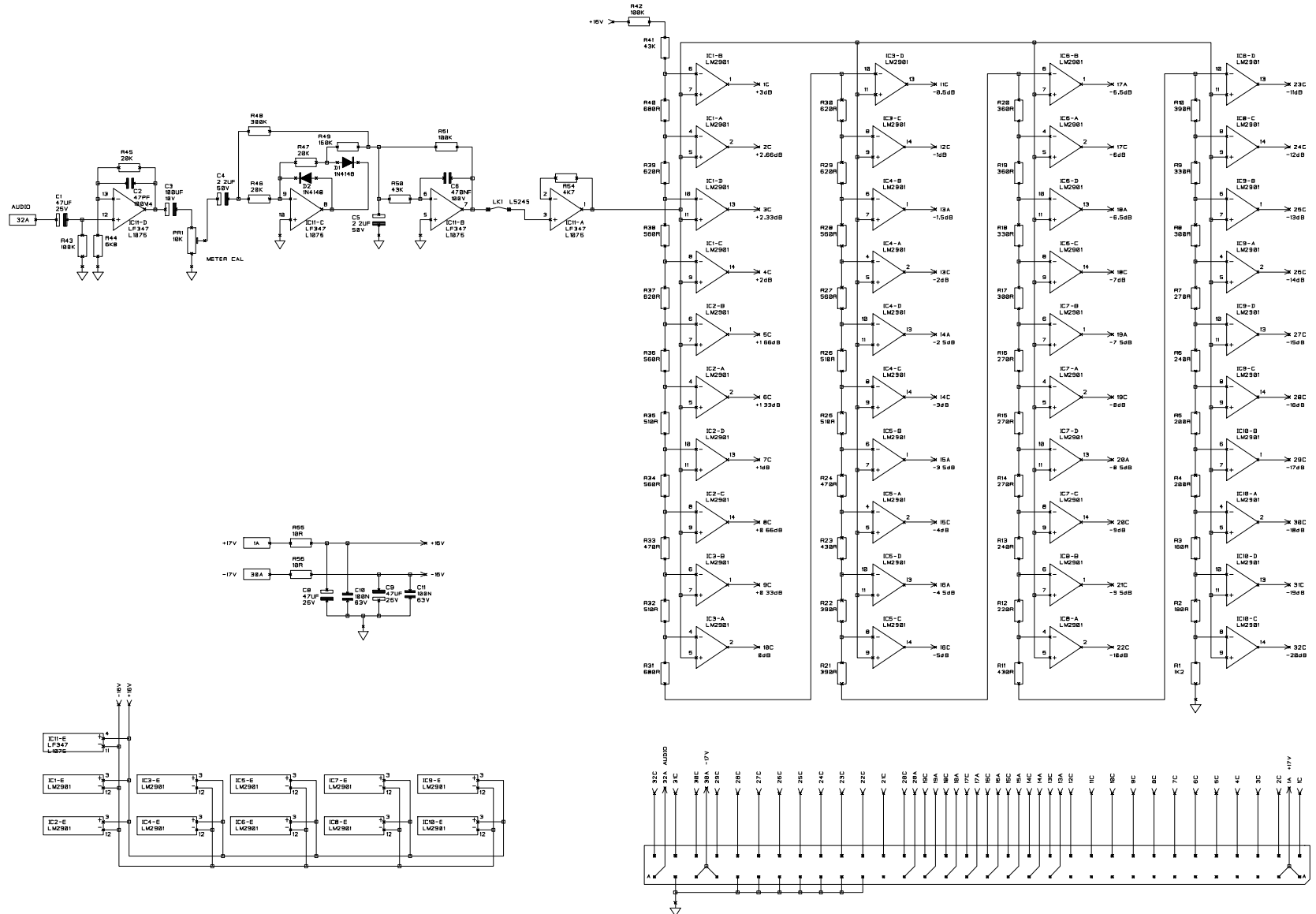
COMPONENTS USED
 R1 - R56, R52 - R56
 C1 - C4, C7 - C11
 D1 - D4
 CN1
 PPI

PCB TYPE SC3567 ISSUE 2 STANDARD OPTION
 PPM VERSION - SEE ED3567B FOR VU VERSION

DRN.
 CJH

TITLE
 B800 LED PPM METER
 DISPLAY DRIVER

DRG NO
 ED3567A



NOTES

COMPONENTS USED
 R1 - R5, R54 - R56
 C1 - C6, C8 - C11
 IC1 - IC11
 D1 - D2
 CN1
 PR1
 LK1

PCB TYPE SC3567 ISSUE 2 OPTION A
 VU VERSION - SEE ED3567A FOR PPM VERSION

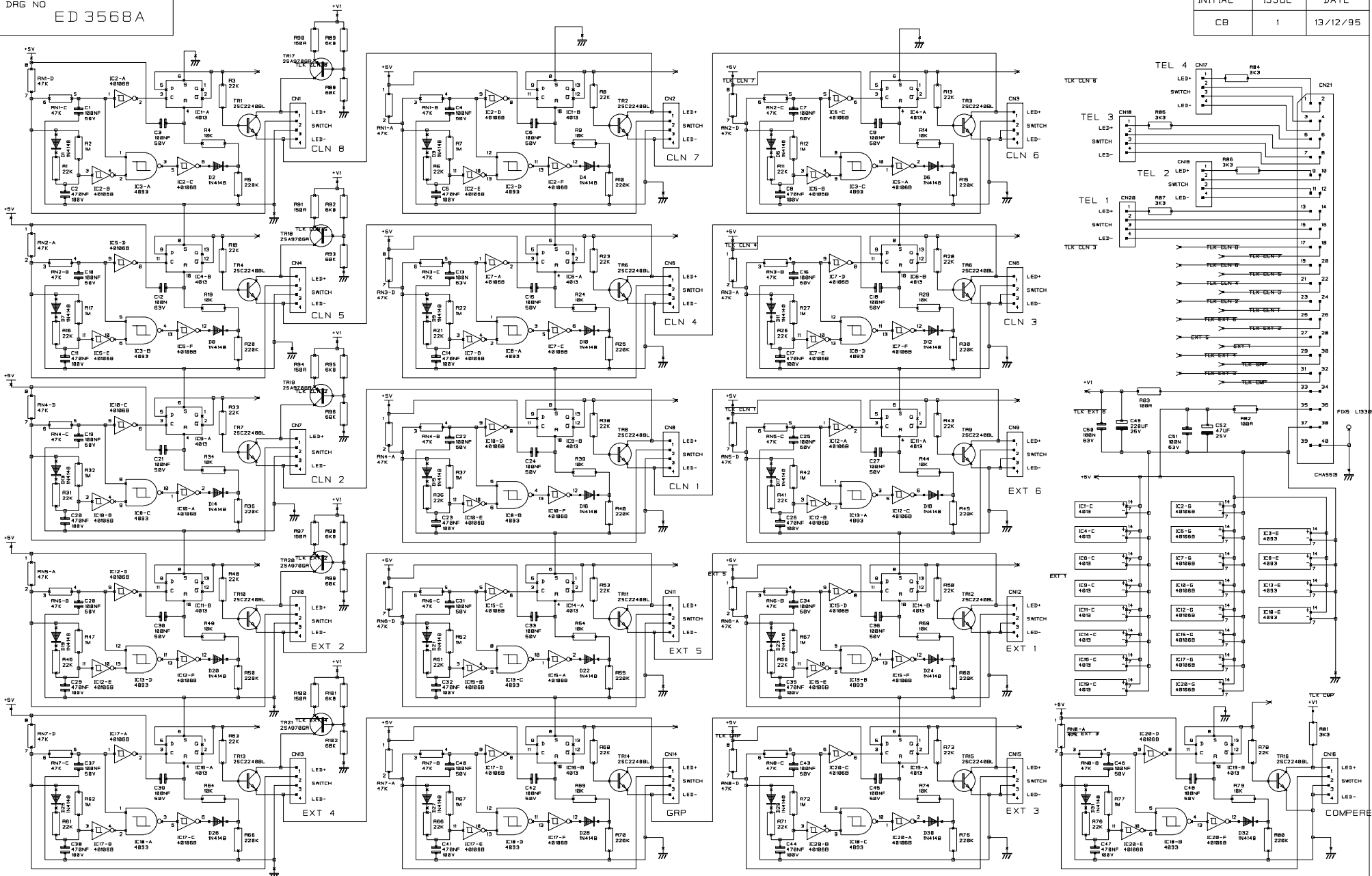
DRN. CJH

TITLE
 B800 LED VU METER
 DISPLAY DRIVER

DRG NO
 ED3567B

DRG NO
ED 3568A

INITIAL	ISSUE	DATE
CB	1	13/12/95



NOTES PT ADDED CONNECTIONS CN3,6,9,12,15, PIN 3A4

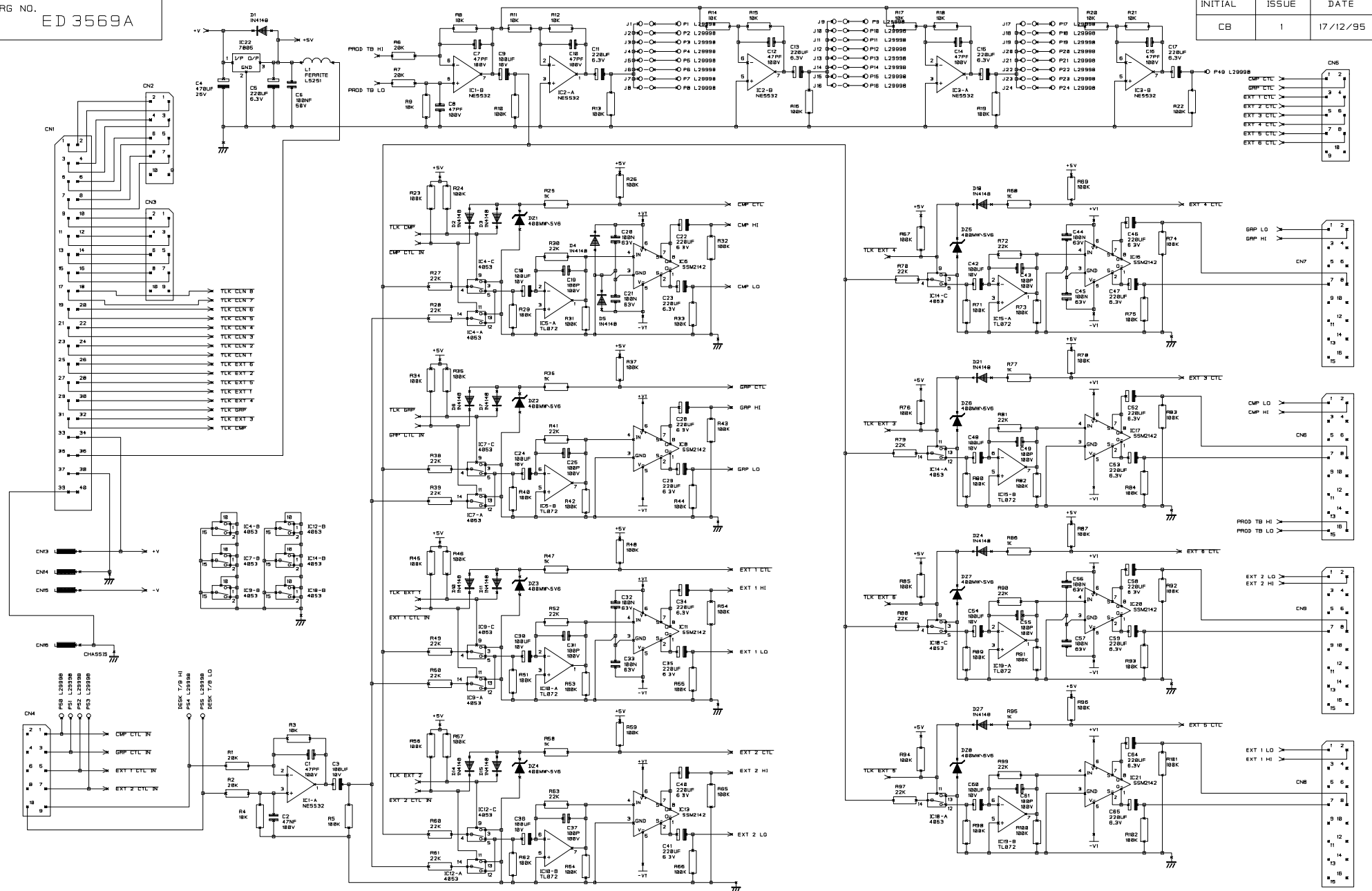
DRN

TITLE B800
RTE PROD T/B
SWITCH PANEL PCB

DRG NO ED 3568A
SHT 1 OF 1

DRG NO. ED 3569A

INITIAL	ISSUE	DATE
CB	1	17/12/95

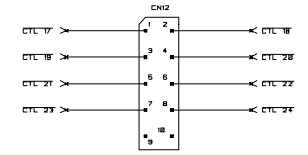
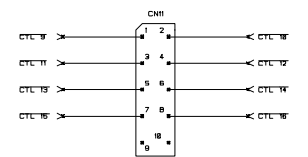
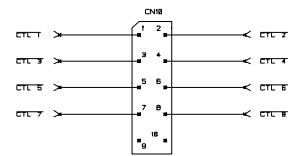
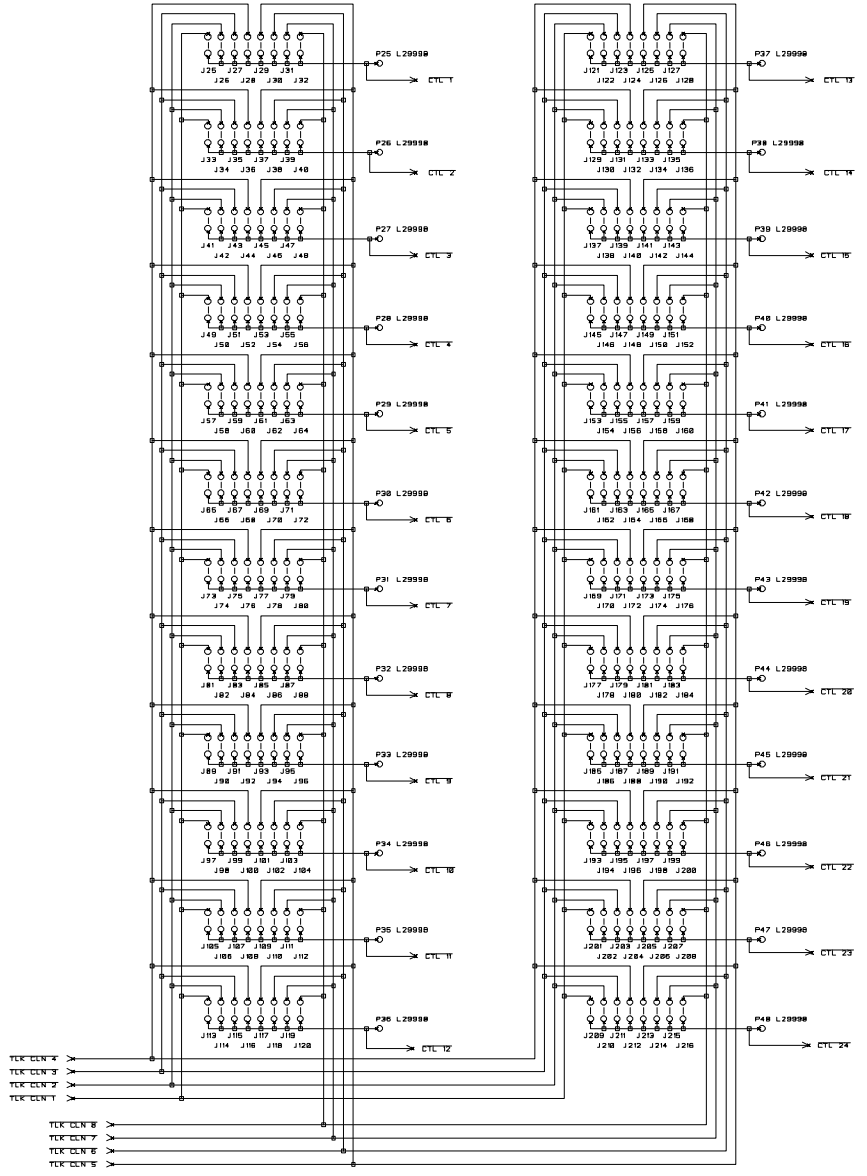
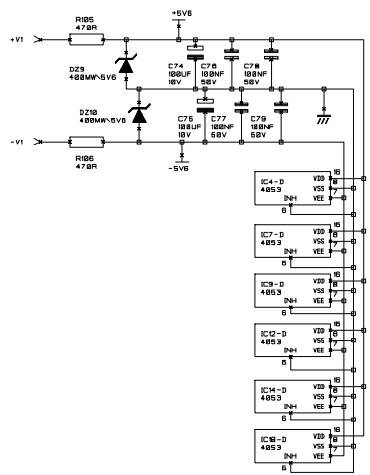
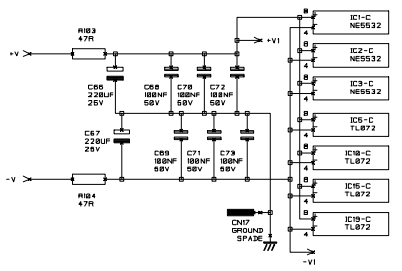


NOTES

DRN.

TITLE B800
RTE PROD T/B
MAIN PCB

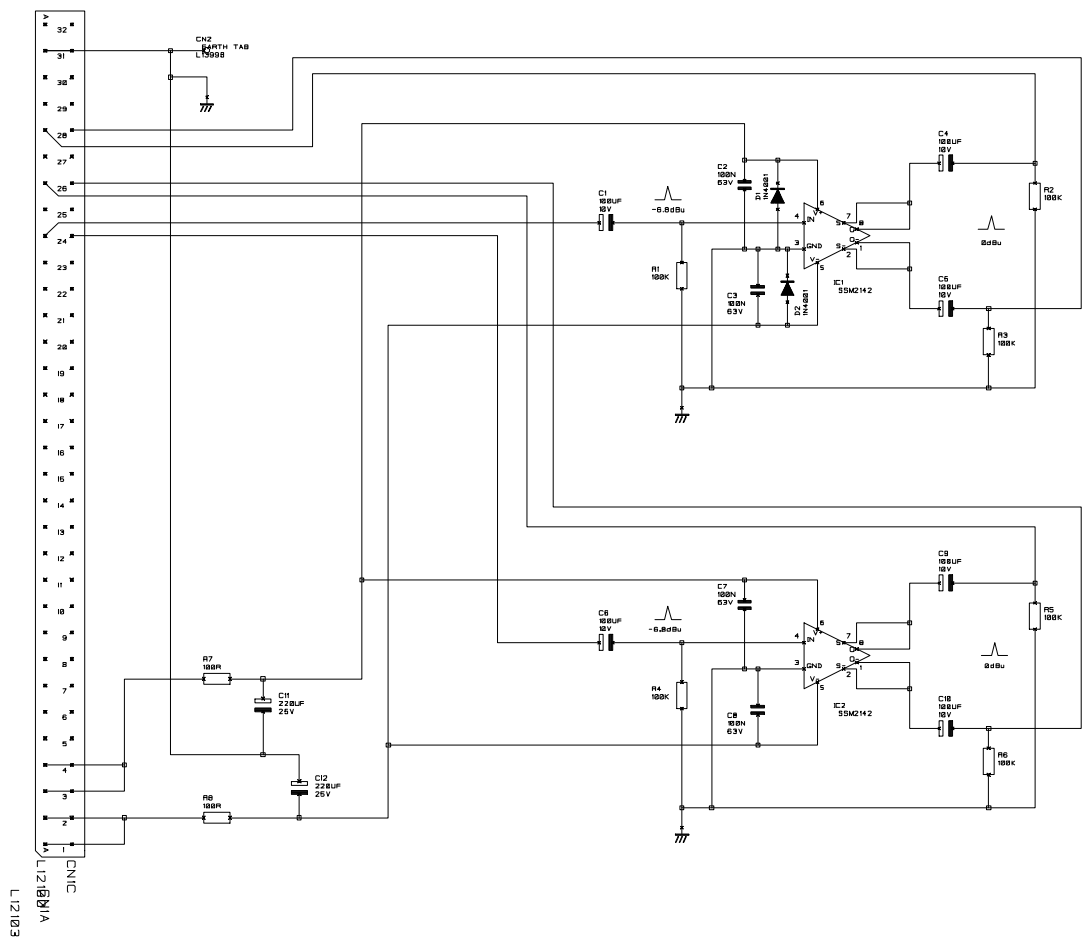
DRG NO. ED 3569A



NOTES

DRN.

TITLE B800
RTE PROD T/B
MAIN PCB
DRG NO. ED 3569B

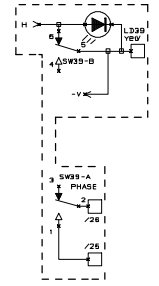
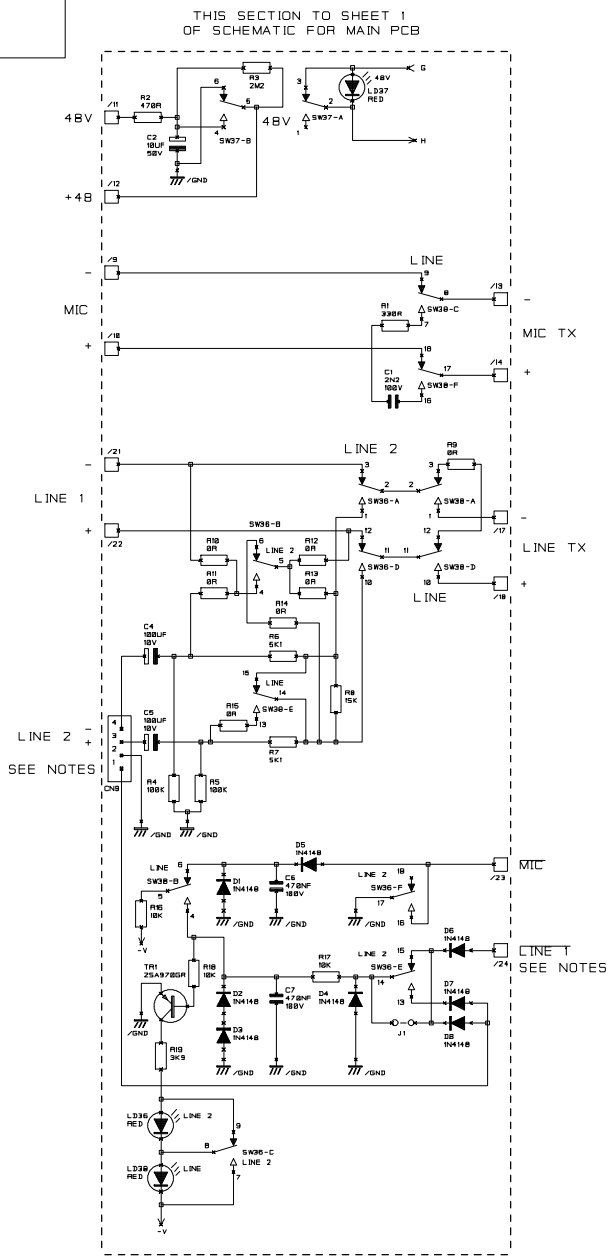


NOTES

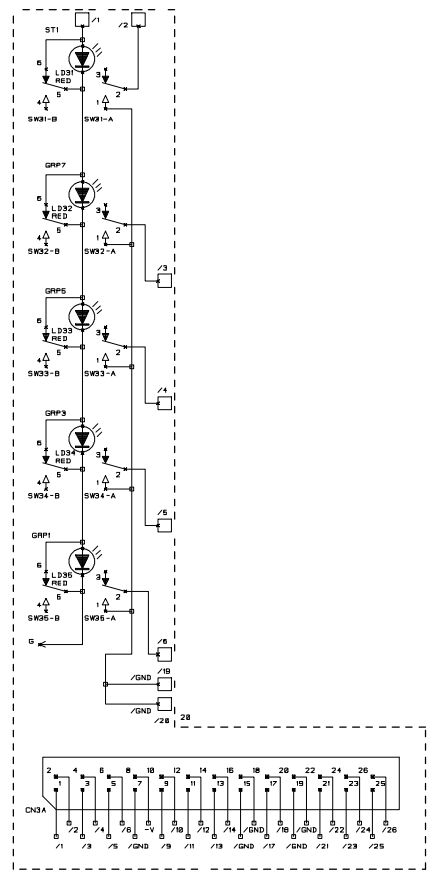
DRN. CB

TITLE
B800 STEREO
BALANCED O/P PCB

DRG NO
ED3570



THIS SECTION TO SHEET 1
OF SCHEMATIC FOR MAIN PCB



THIS SECTION TO SHEET 3
OF SCHEMATIC FOR MAIN PCB

NOTES
FOR NORMAL VERSION.
OMIT R11,R13,R14,R15

FOR TRANSFORMER OPTION:
CHANGE R6,R7 (5K1) TO 10K
CHANGE R8 (15K) TO 18K
OMIT R10,R12

FIT J1 IF LINE 2 MUST OPERATE
REMOTES AS WELL AS LINE 1

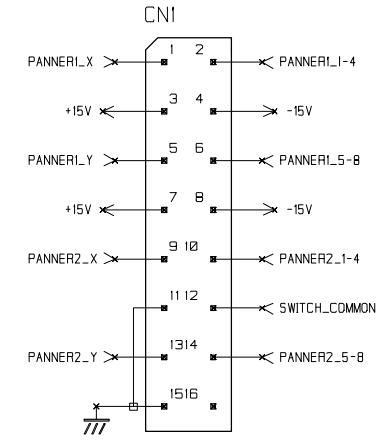
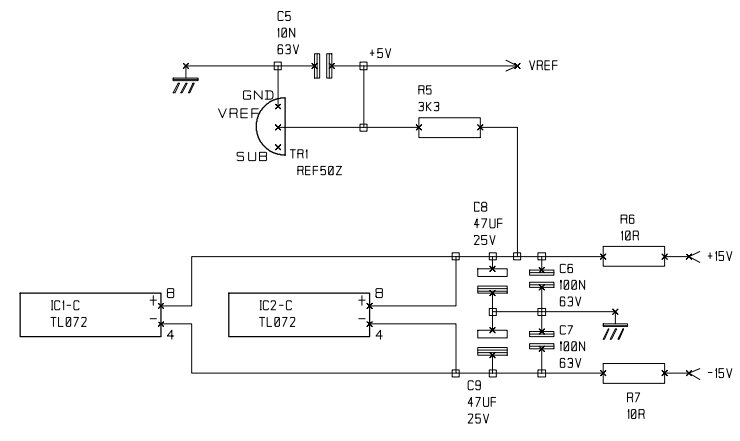
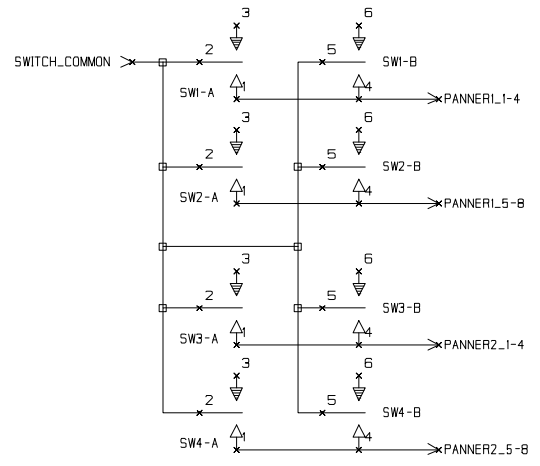
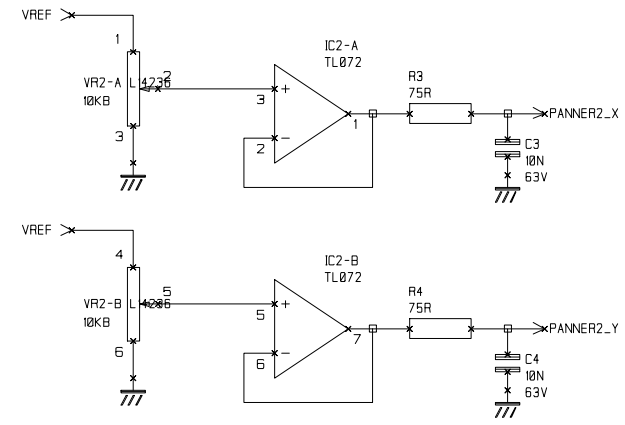
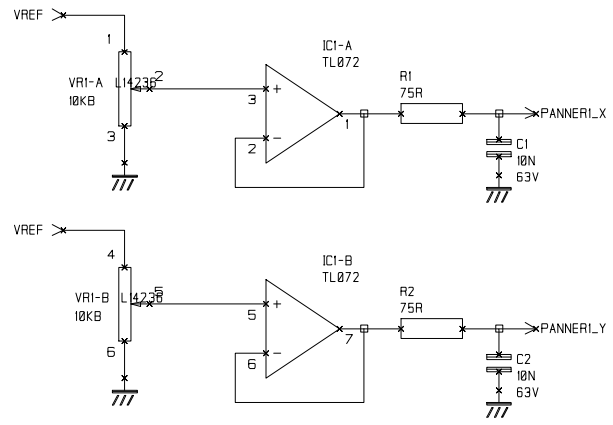
OTHERWISE, WIRE PIN 1 OF 4-PIN HEADER
TO J13 PIN 2 ON MAIN PCB, SO THAT
STUDIO MUTE / MONITOR DIM WORK WHEN
LINE 2 IS SELECTED. DO NOT JUMP J13.

DRN. CB/VCR

TITLE B800
MONO INPUT DUAL
LINE SUB BOARD

DRG NO. ED 3571

INITIAL	ISSUE	DATE
ASR	01	10/4/96

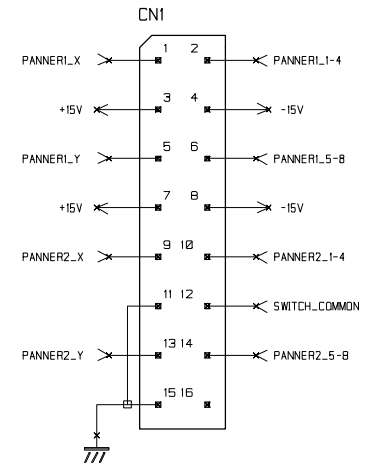
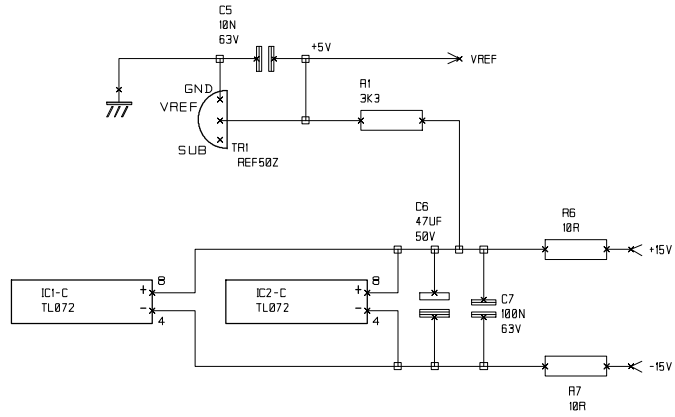
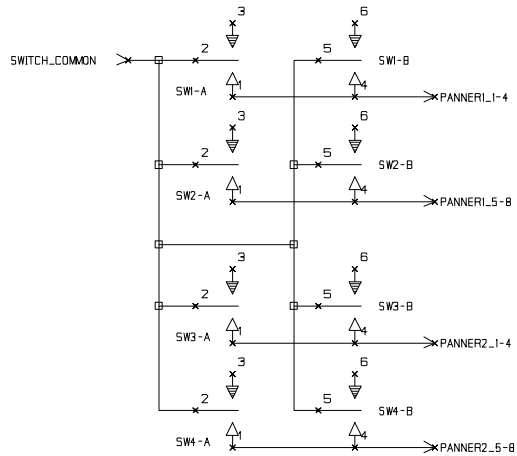
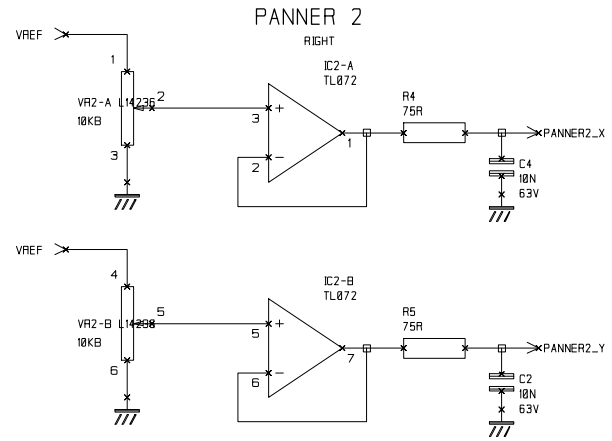
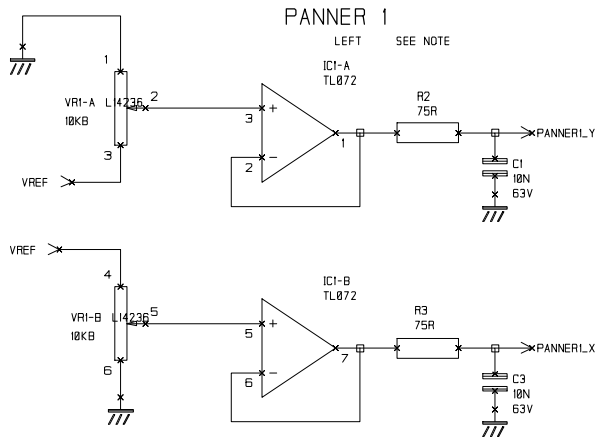


NOTES

DRN. ASR

TITLE
 B800 MAGTRAX
 PANNER PCB
 DRG NO. ED 3735
 SHT 1 OF 1

INITIAL	ISSUE	DATE
AH	01	20/06/96

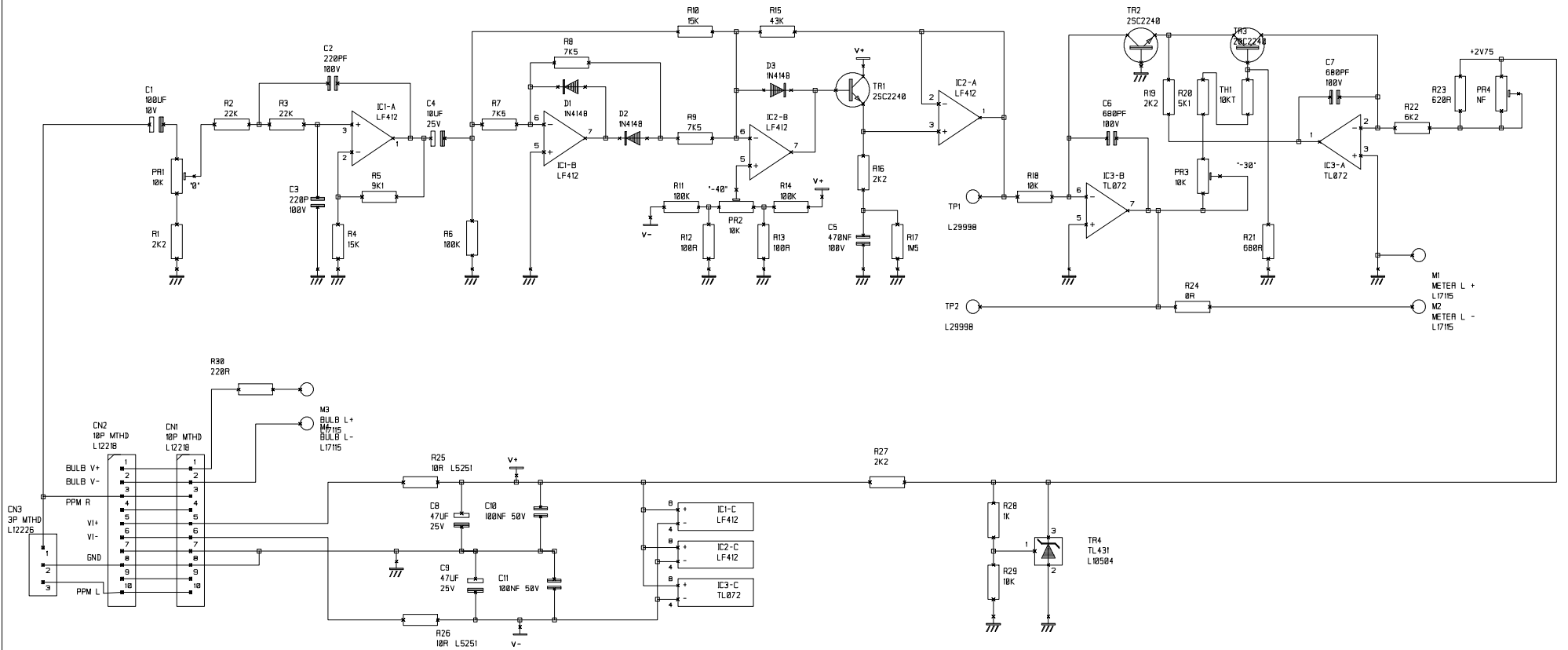


NOTES
NB: MODIFIED FROM SC3593 - PANNER 1 ROTATED THROUGH 90 DEGREES CLOCKWISE

DRN. AH

TITLE
B800 MAGTRAX
JOYSTICK PANNER

DRG NO. ED3766

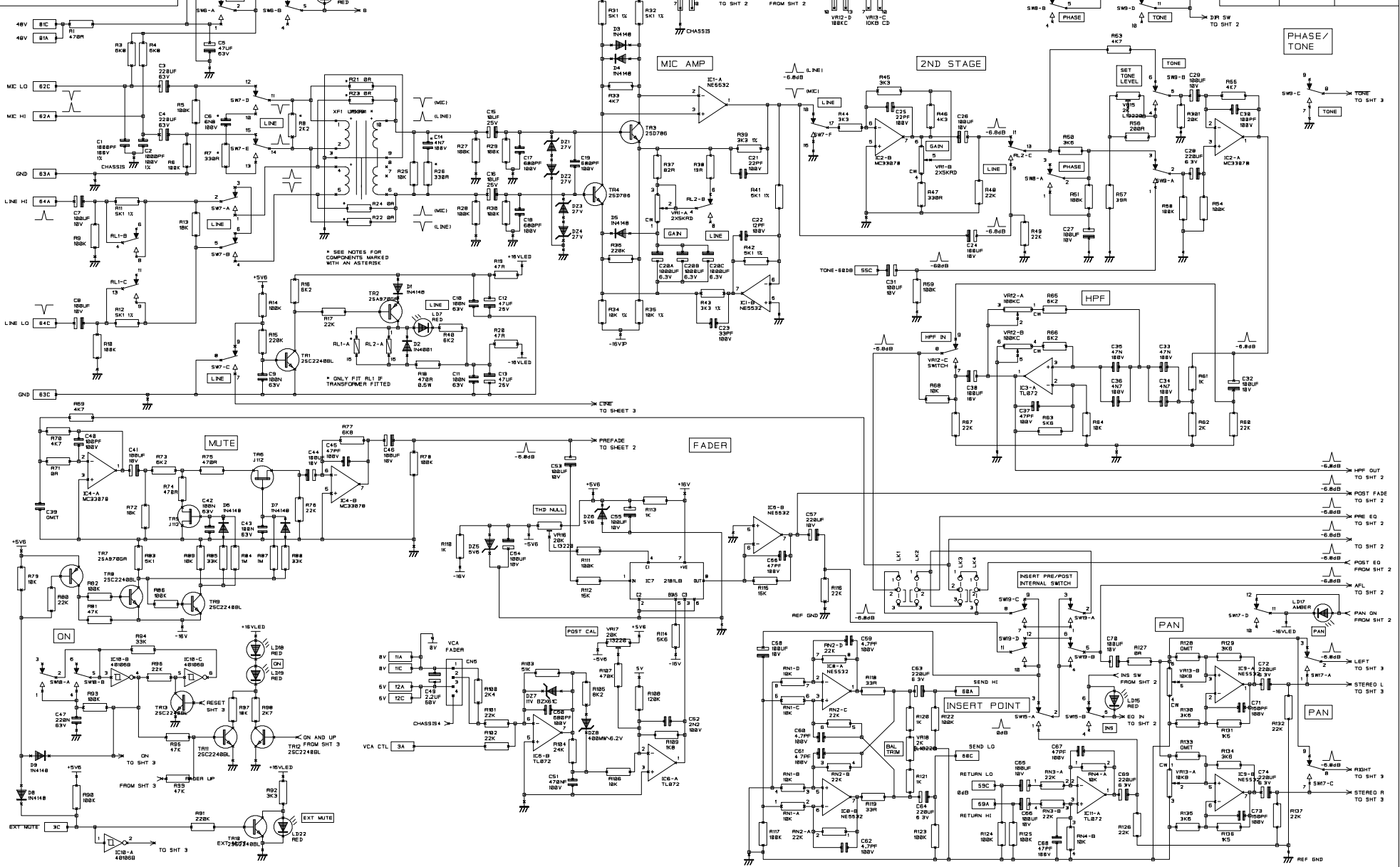


NOTES

NOTES

DRN.	CB	TITLE	B800 SINGLE PPM METER DRIVE
		DRG NO.	ED 3798

INITIAL	ISSUE	DATE
RNJS	3.05	02-05-00



NOTES
ELECTRONIC BAL 1/P
OMIT XF1, RL1, R7, R26, C6, C14

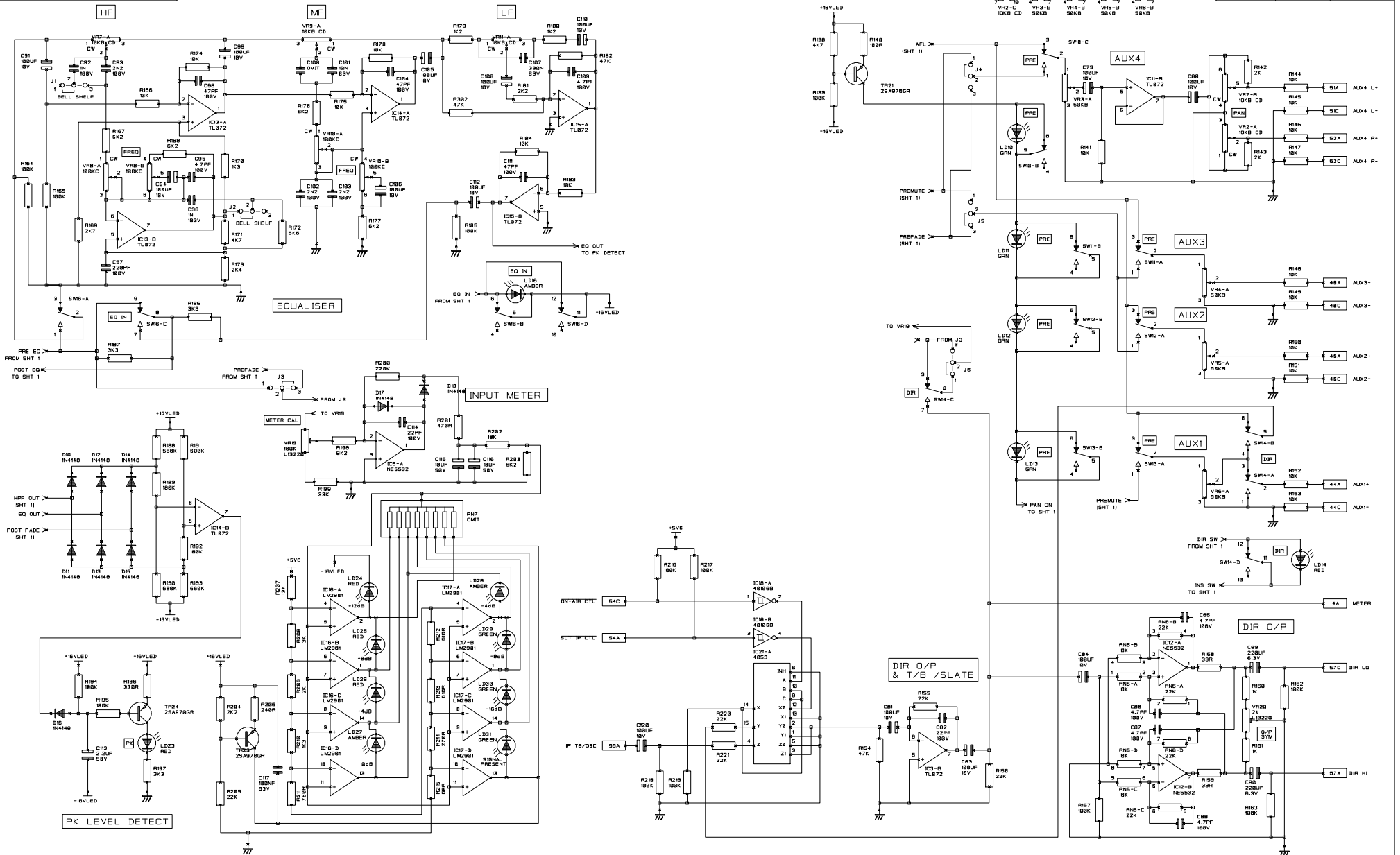
TRANSFORMER OPTION
FIT C6=6N8, R7=330R,
C14=4N7, R26=330R,
RL1, XF1
OMIT R21-R24
CHANGE R8 (2K2) TO 5K1
CHANGE R18 (470R) TO 100R 0.5W

LINKS
LK1,2,3,4 INSERT PRE FADE
JUMP 1-2 - PRE EQ
JUMP 2-3 = POST EQ (DEFAULT)

DRN. CB/PRH

TITLE B400
MONO INPUT MODULE

INITIAL	ISSUE	DATE
RNJS	3-05	02-05-00



NOTES

J3 - INPUT METER SOURCE
LNK 1-2 FOR PRE-EG FEED
LNK 2-3 FOR PREFADE FEED (DEFAULT)

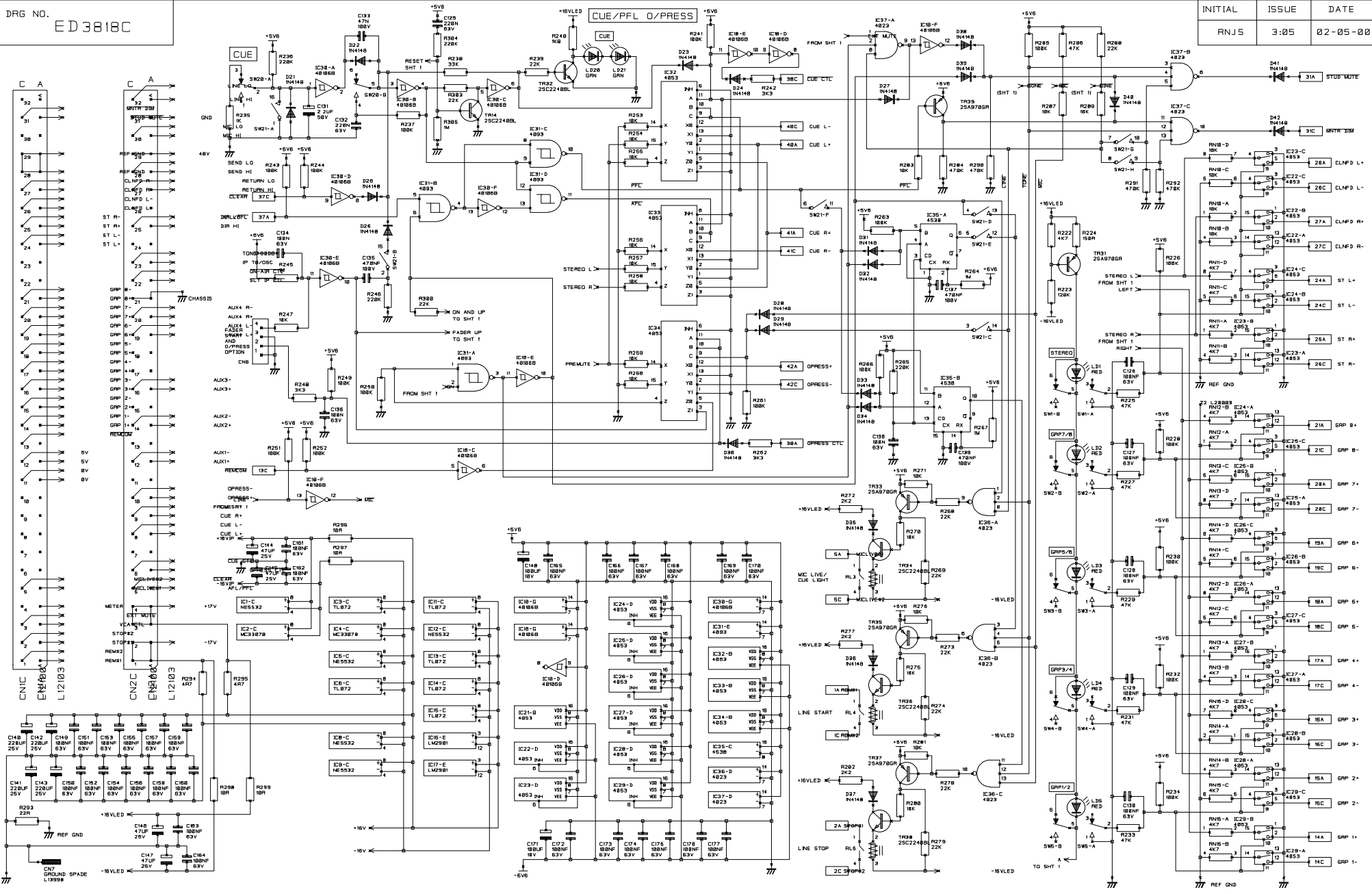
J4 - STEREO AUX PRE SOURCE
LNK 1-2 FOR AUX 4 PRE - PREMUTE (DEFAULT)
LNK 2-3 FOR AUX 4 PRE - PREFADE

J5 - MONO AUX PRE SOURCE
LNK 1-2 FOR MONO AUX PRE - PREMUTE
LNK 2-3 FOR MONO AUX PRE - PREFADE (DEFAULT)

J6 - INPUT METER DIR MODE
LNK 1-2 FOR INPUT METER FOLLOWS DIR (DEFAULT)
LNK 2-3 FOR INPUT METER FOLLOWS J3 SELECTION

DRN. CB/PRH

TITLE B400
MONO INPUT MODULE



NOTES

SW2H 8-WAY DIL SWITCH

SW2H-A CLOSURE DISABLES THE DUAL ACTION OF SW2B

SW2H-B CLOSURE ENABLES CUE CANCEL FROM FADER OPEN

SW2H-C OPEN ENABLES REM CDM IN MIC MODE

SW2H-D CLOSURE ENABLES LATCHING START IN LINE MODE

SW2H-E CLOSURE ENABLES MOMENTARY START IN LINE MODE

SW2H-F CLOSURE ENABLES START/STOP FUNCTION FROM PFL

SW2H-G CLOSURE FOR MIC LIVE STUDIO MUTE

SW2H-H CLOSURE FOR MIC LIVE CONTROL ROOM MUTE

DEFAULTS

OPEN

CLOSED

CLOSED

OPEN

CLOSED

CLOSED

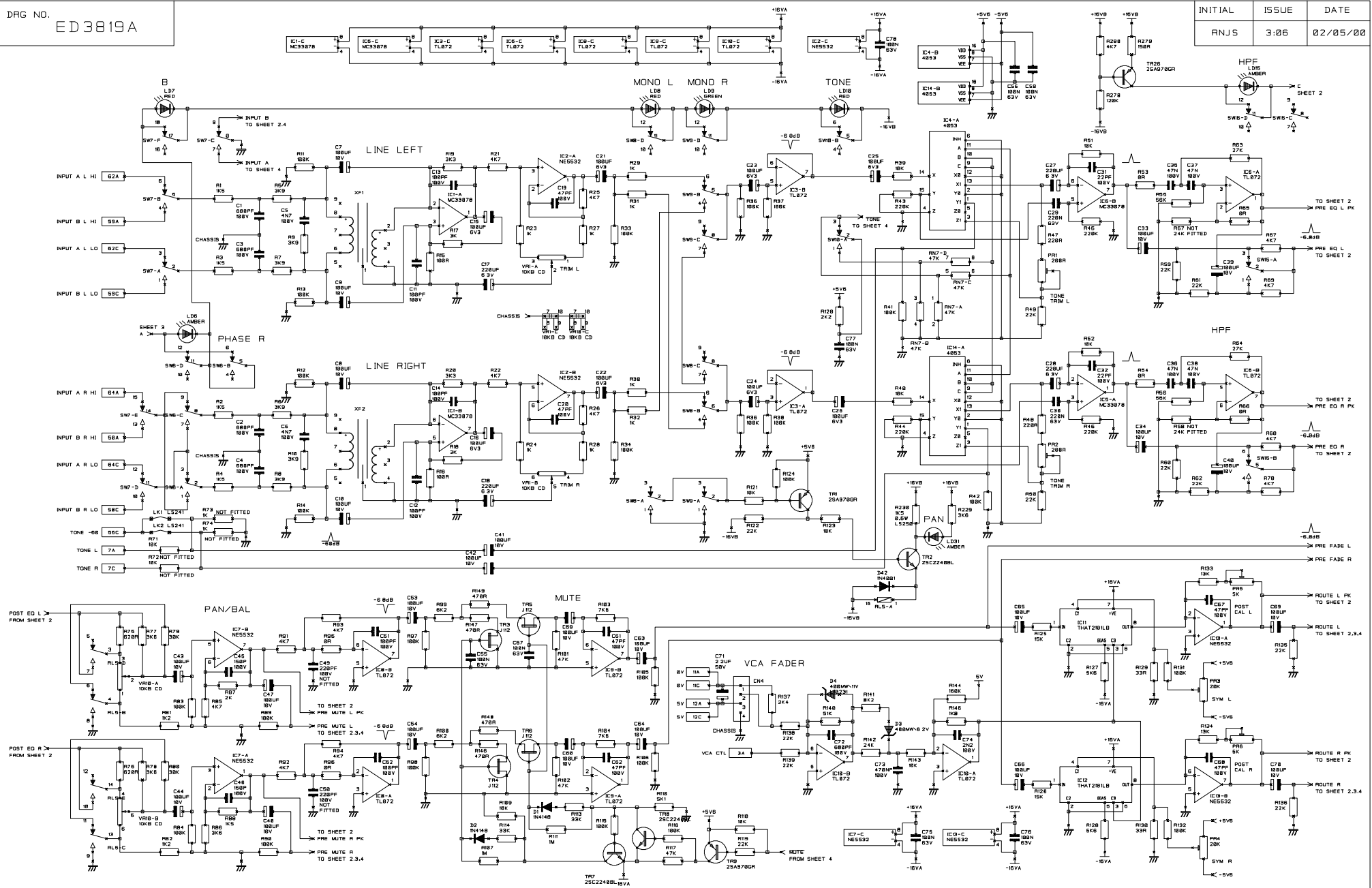
CLOSED

OPEN

DRN. CB/PRH

TITLE B400
MONO INPUT MODULE

INITIAL	ISSUE	DATE
RNJS	3:06	02/05/00



NOTES

COMPONENTS USED
 R1 - R149, R229, R238, R278 - R288
 C1 - C78
 IC1 - IC4
 TR1 - TR8, TR28
 LD6 - LD8, LD16, LD31
 SW6 - SW8, SW15
 PR1 - PR6
 D1 - D4, D42
 LK1 - LK2

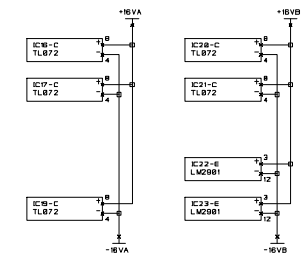
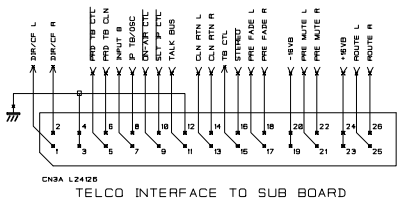
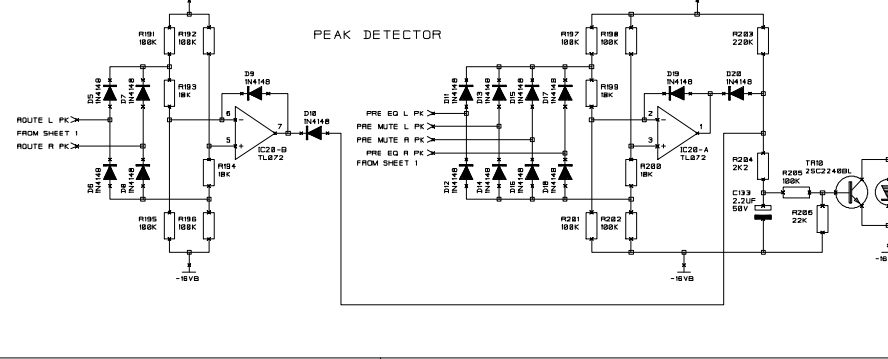
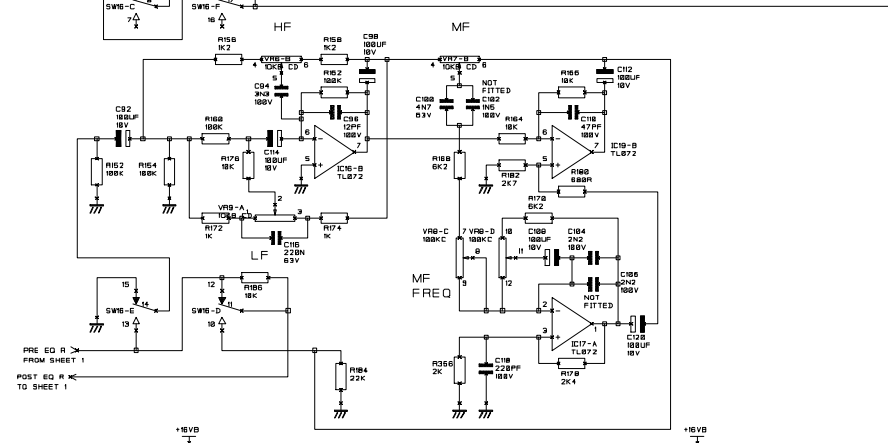
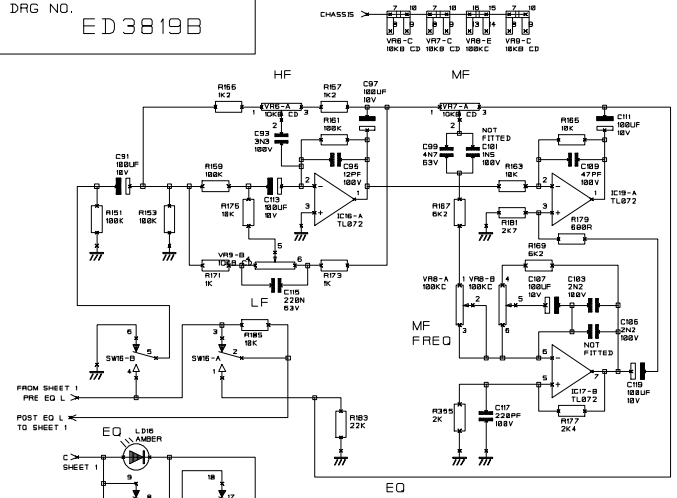
VERSION WITH TRANSFORMER
 OMIT XF1, XF2, R7, R8, C5, C6
 OMIT C7 TO C8
 COMPONENT VALUES ARE AS PRINTED

VERSION WITHOUT TRANSFORMER
 OMIT XF1, XF2, R7, R8, C5, C6, C8
 OMIT C7 TO C8
 R15, R16, R18 AND R28 BECOME 2K7

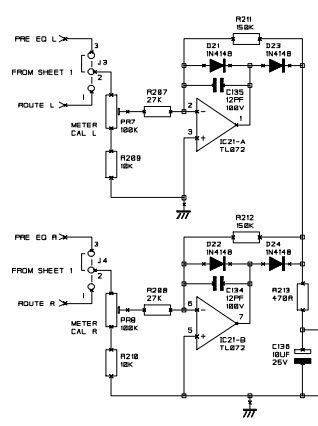
DRN.
 CJH

TITLE
 B400 STEREO/TELCO
 INPUT MODULE

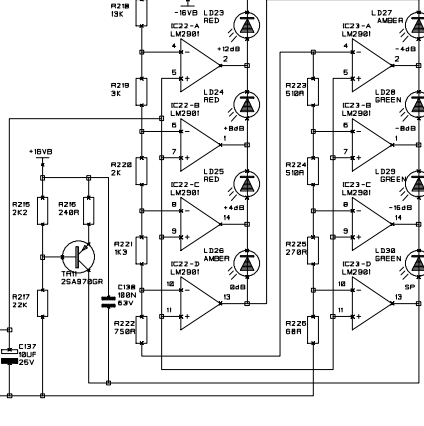
INITIAL	ISSUE	DATE
RNJS	3:06	02/05/00



METER RECTIFIER



INPUT METER



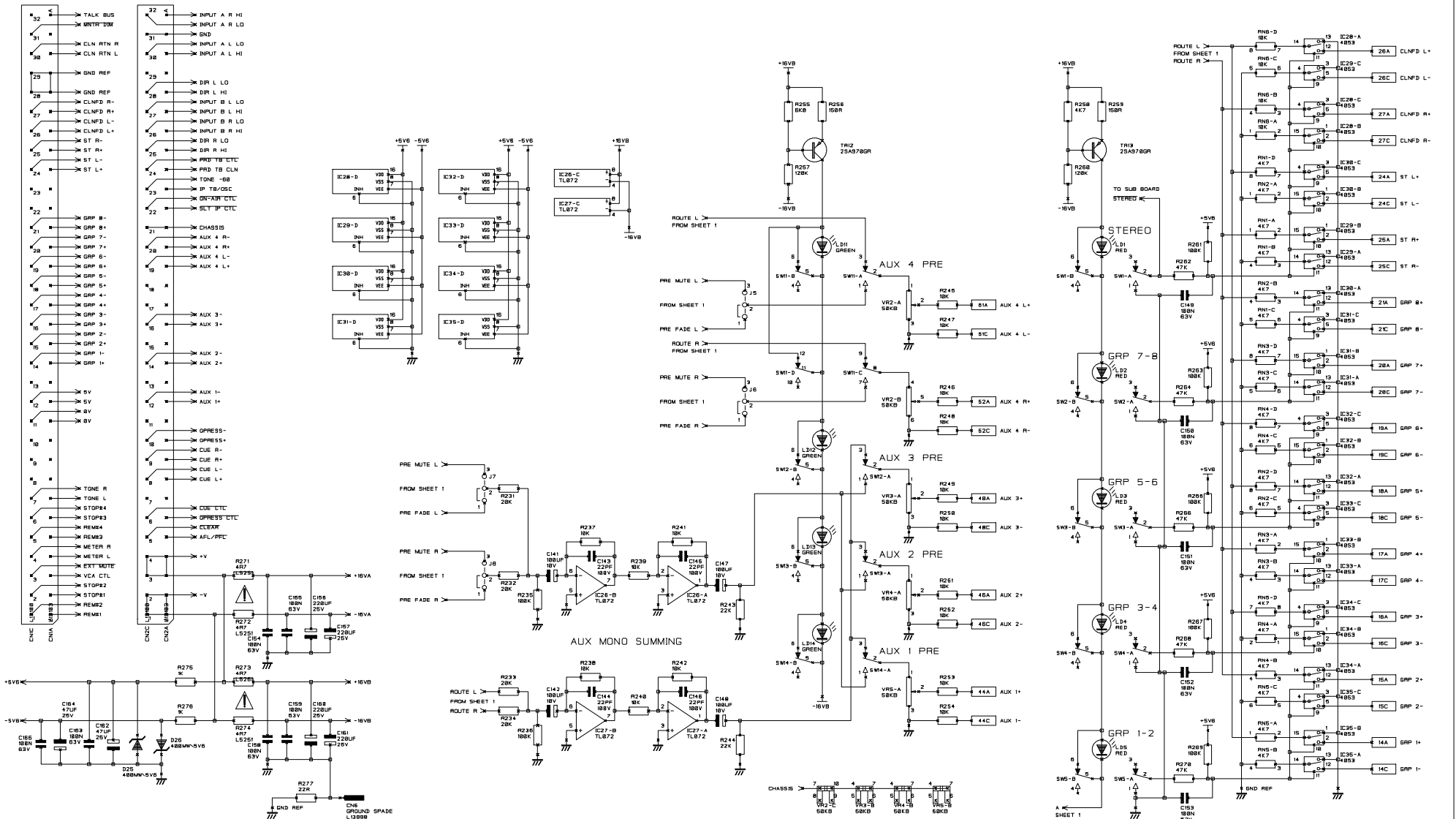
NOTES
 COMPONENTS USED
 R151 - R228, R355, R356
 C91 - C102, C105 - C108
 D5 - D24
 IC18, IC17, IC19 - IC29
 L30, L32 - L38
 J1 - J4
 PREF - PR8
 TR18 - TR11
 CN18, CN2 NOT FITTED

REMOVE JUMPERS ON J1, J2 WHEN SUB-BOARD IS FITTED.

DRN. CJH

TITLE
 B400 STEREO/TELCO
 INPUT MODULE
 DRG NO. ED3819B

INITIAL	ISSUE	DATE
RNJS	3:06	02/05/00

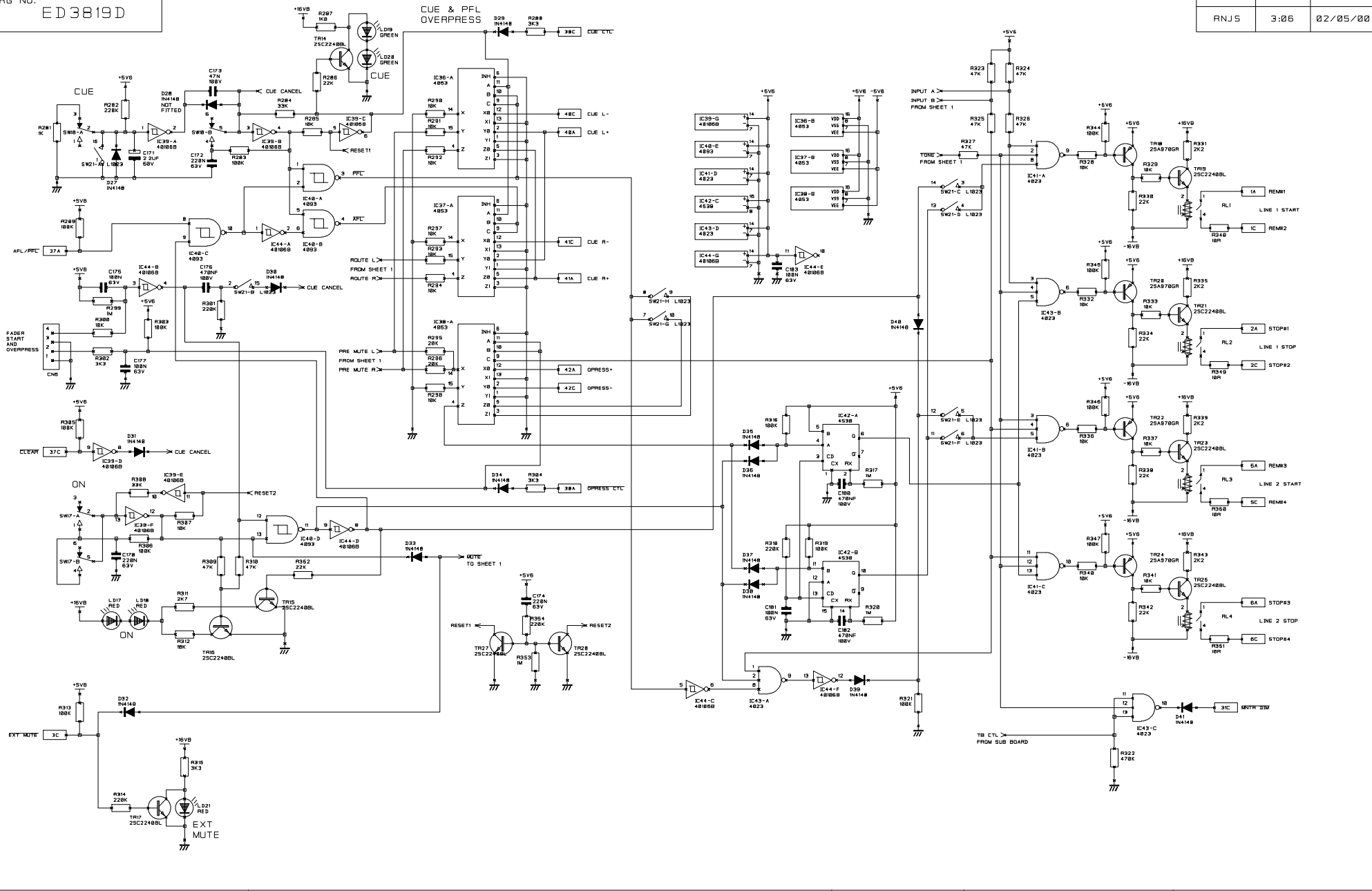


NOTES
 COMPONENTS USED
 R231 - R277
 C141 - C155
 IC26 - IC35
 LD1 - LD4, LD1 - LD4
 SW1 - SW5, SW1 - SW4
 RN1 - RN6
 J8 - J8
 CN1 - CN2
 D26 - D26

DRN. CJH

TITLE
 B400 STEREO/TELCO
 INPUT MODULE
 DRG NO. ED3819C

INITIAL	ISSUE	DATE
RNJS	3:06	02/05/00



NOTES

- COMPONENTS USED
R281 - R355
C171 - C178, C180 - C183
D37 - D41
TR14 - TR25, TR27, TR28
IC36 - IC44
L1D7 - L1D9
RL1 - RL4
SW17 - SW19, SW21
CNS
- SW21 IS AN 8 WAY DIL SWITCH
- SW21-A CLOSURE DISABLES THE DUAL ACTION OF SW
SW21-B CLOSURE ENABLES CUE CANCEL FROM FADER OPEN
SW21-C CLOSURE ENABLES LATCHING START LINE 1
SW21-D CLOSURE ENABLES MOMENTARY START IN LINE 1
SW21-E CLOSURE ENABLES LATCHING START IN LINE 2 FROM FADER/ON AND PFL
SW21-F CLOSURE ENABLES MOMENTARY START IN LINE 2
SW21-G CLOSURE ENABLES LINE 2 MOMENTARY START/STOP FROM PFL
SW21-H CLOSURE ENABLES LINE 2 MOMENTARY START/STOP FROM PFL
- DEFAULTS
OPEN
CLOSED } BOTH CAN NOT BE CLOSED OR OPEN
OPEN
CLOSED } BOTH CAN NOT BE CLOSED OR OPEN
OPEN
CLOSED } ONLY ACTIVE WHEN SW2-D IS CLOSED
CLOSED
CLOSED } ONLY ACTIVE WHEN SW2-F IS CLOSED

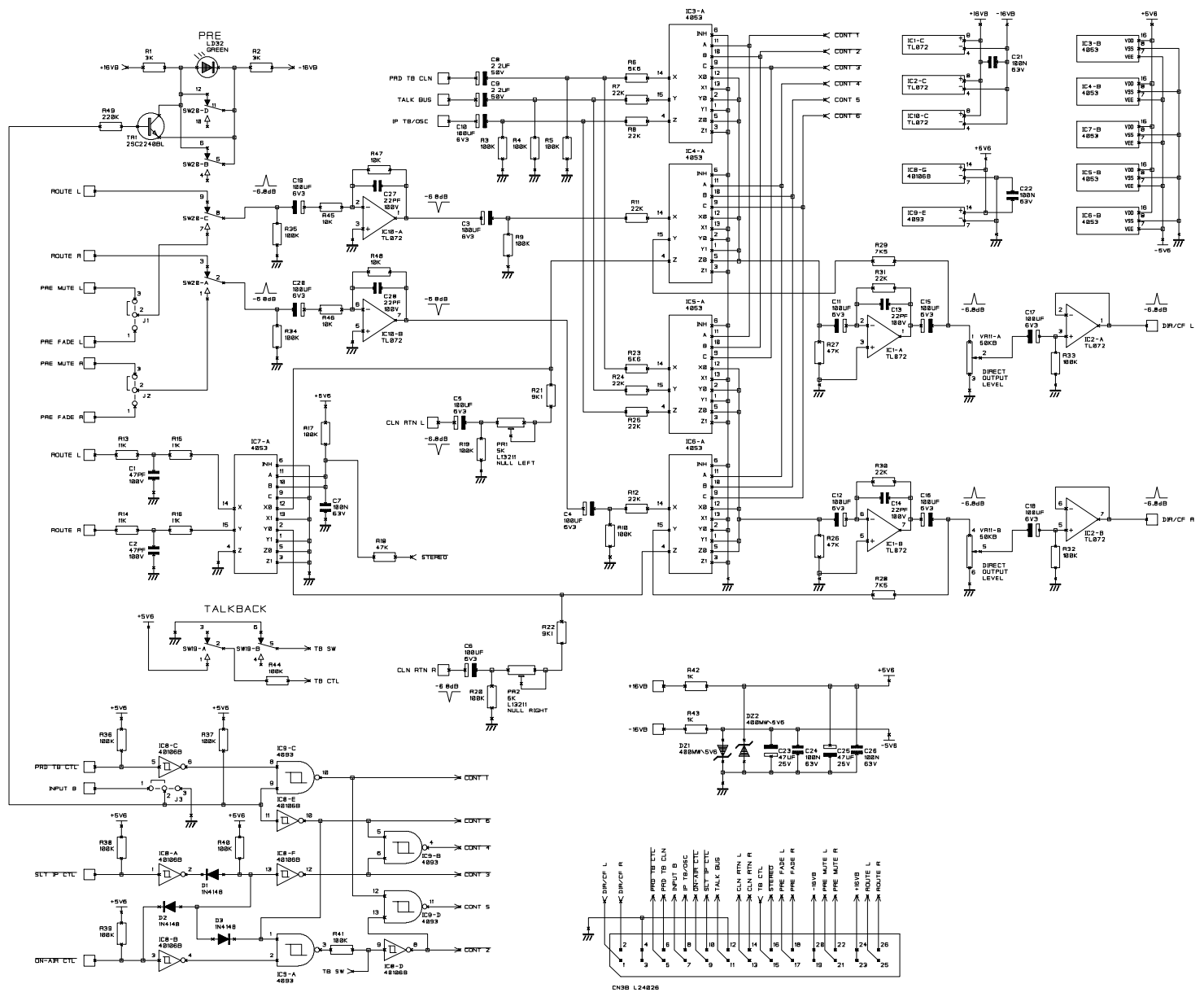
DRN.

CJH

TITLE
B400 STEREO/TELCO
INPUT MODULE LOGIC

DRG NO. ED3819D

INITIAL	ISSUE	DATE
CJH	3	14/08/97



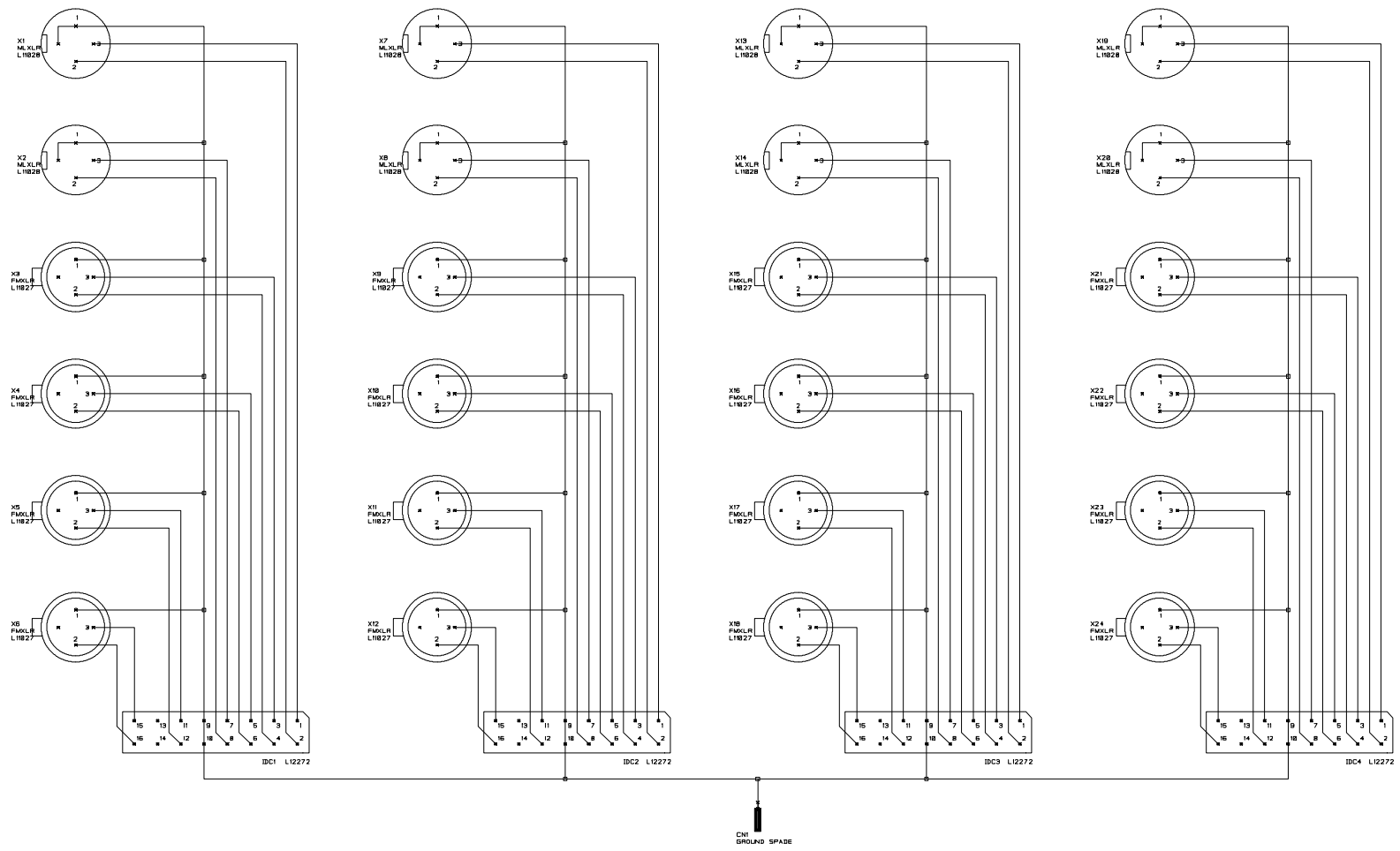
NOTES
 COMPONENTS USED
 R1 - R49
 C1 - C28
 IC1 - IC8
 D1 - D3
 D21 - D22
 J1 - J2
 PR1 - PR2
 SWB - SWB
 CN30
 L932
 VRI1

J3 PINS 1 & 2 ENABLES CLEANFEED TO DIRECT OUTPUT ON INPUT B
 J3 PINS 2 & 3 DISABLES CLEANFEED TO DIRECT OUTPUT
 REMOVE R44 TO DISABLE MONITOR DIM ON TALKBACK

DRN.
 CJH

TITLE
 B400 STEREO/TELCO
 INPUT SUB BOARD

DRG NO.
 ED3820



NOTES

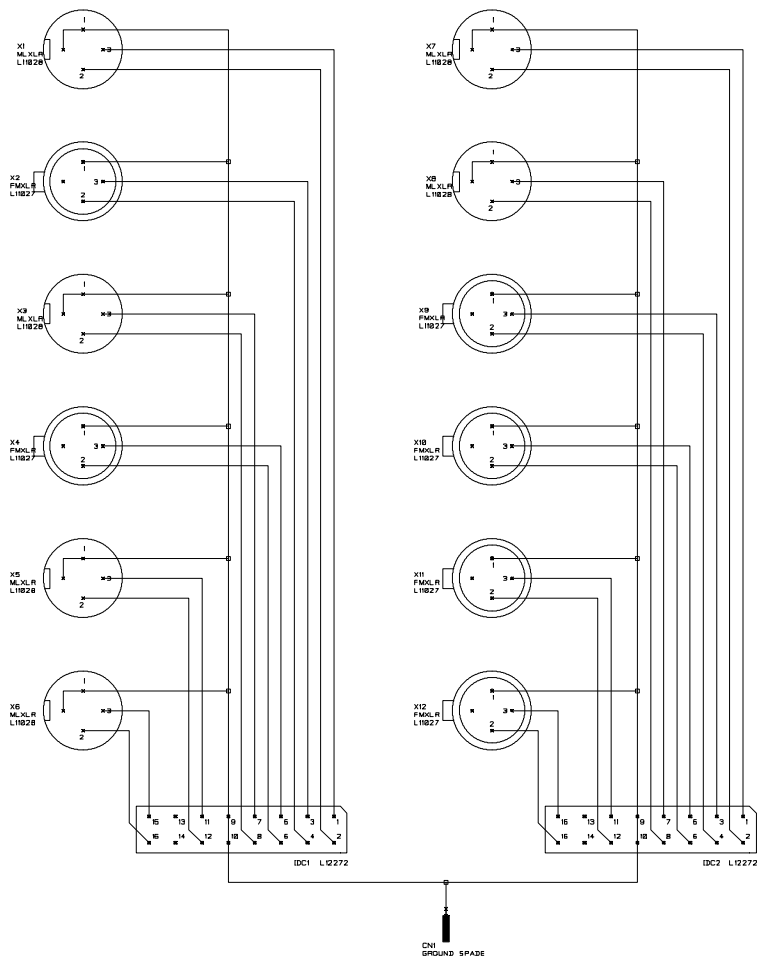
DRN.

TITLE
B400 4 WAY I/P-GROUP
REAR CONNECTOR PANEL

DRG NO. ED3821

DRG NO. ED3822

INITIAL	ISSUE	DATE
PRH	1	05/12/96



NOTES

DRN.

TITLE
 B400 MASTER PLUS
 REAR CONNECTOR PANEL
 DRG NO. ED3822

EDAC 90 WAY FEMALE WIRING DETAILS

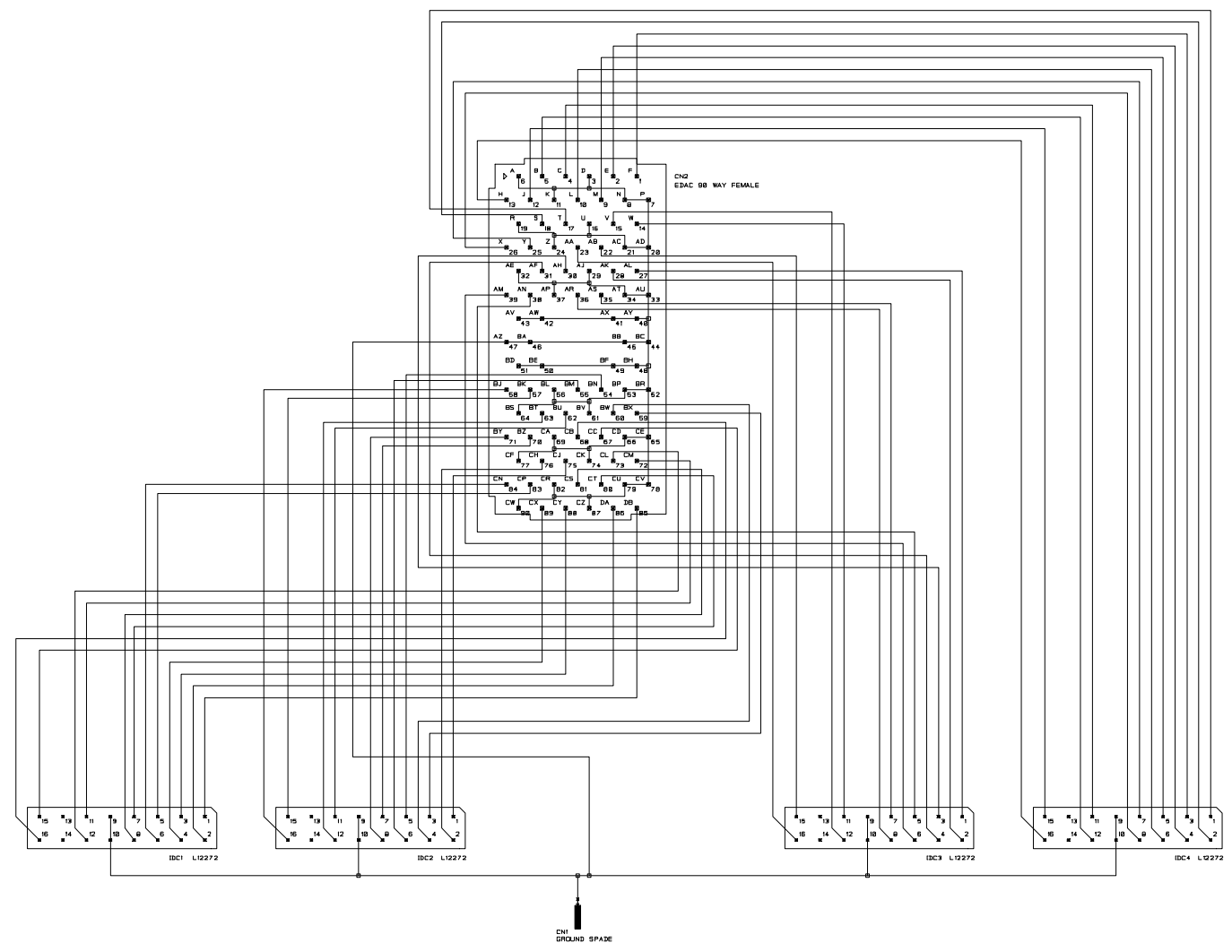
PANEL VIEWED FROM REAR OF CONSOLE
MODULES FROM RIGHT TO LEFT

MODULE 1	HOT	COLD	SCREEN
INPUT A LEFT	H	J	A
INPUT A RIGHT	B	C	K
INPUT B LEFT	L	M	D
INPUT B RIGHT	E	F	N
DIRECT OUT LEFT	X	Y	R
DIRECT OUT RIGHT	S	T	Z

MODULE 2	HOT	COLD	SCREEN
INPUT A LEFT	AA	AB	U
INPUT A RIGHT	V	W	AC
INPUT B LEFT	AM	AN	AE
INPUT B RIGHT	AF	AH	AP
DIRECT OUT LEFT	AR	AS	AJ
DIRECT OUT RIGHT	AK	AL	AT

MODULE 3	HOT	COLD	SCREEN
INPUT A LEFT	BJ	BK	BS
INPUT A RIGHT	BT	BU	BL
INPUT B LEFT	BM	BN	BV
INPUT B RIGHT	BW	BX	BP
DIRECT OUT LEFT	BY	BZ	CF
DIRECT OUT RIGHT	CH	CJ	CA

MODULE 4	HOT	COLD	SCREEN
INPUT A LEFT	CB	CC	CK
INPUT A RIGHT	CL	CM	CD
INPUT B LEFT	CN	CP	CW
INPUT B RIGHT	CX	CY	CR
DIRECT OUT LEFT	CS	CT	CZ
DIRECT OUT RIGHT	DA	DB	CU

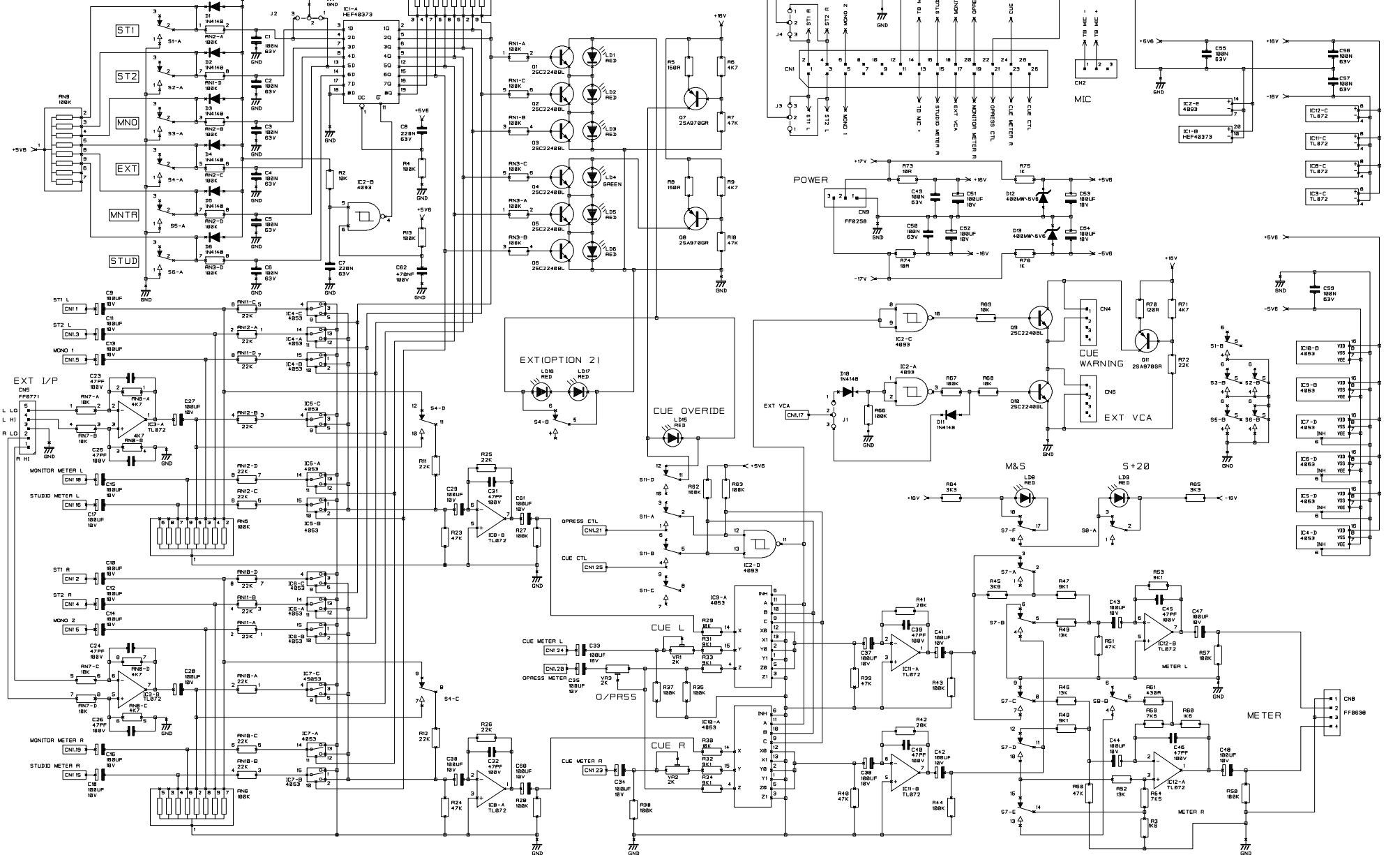


NOTES
COMPONENTS USED
IDC1 - IDC4
CNI - CN2

DRN.
CJH

TITLE
B400 4 WAY I/P EDAC
REAR CONNECTOR PANEL

DRG NO
ED3885



NOTES

COMPONENTS USED
 R1 - R7B S1 - S11
 C1 - C81
 D1 - D9
 LD1 - LD7
 Q1 - Q11
 RN1 - RN12
 CN1 - CN6
 P1 - P8
 IC1 - IC12

VERSION 1
 S4 IS TWO POLE MOMENTARY DP8528
 LD16, LD17 NOT FITTED
 RN1, RN2 NOT FITTED

VERSION 2
 S4 IS FOUR POLE LATCHING DP8538
 LD1 - LD16 NOT FITTED
 Q1 - Q8 NOT FITTED
 RN1 - RN4 NOT FITTED
 RN5 - RN12 NOT FITTED
 D1 - D8 NOT FITTED
 C1 - C8 NOT FITTED
 IC1 AND IC4 - IC7 NOT FITTED

J1 - FIT 1-2 - ACTIVE HIGH
 2-3 - ACTIVE LOW
 EXT VCA CONTROL INPUT

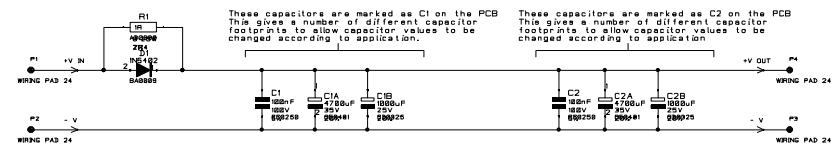
J2 - FIT 1-2 - MONITOR *
 2-3 - ST1
 METER SOURCE ON START UP

J3, J4 - FIT 1-2 - 0488
 FIT 1-3 - 0608
 SECONDARY METERS SOURCE

DRN.
 CJH/CB

TITLE
 B800/B400
 PH.2 METER
 METER SELECT

DRG NO.
 ED3888



SOUNDCRAFT OWNS THE COPYRIGHT OF THIS DRAWING WHICH IS NOT TO BE COPIED, IN PART OR IN WHOLE TO A THIRD PARTY WITHOUT WRITTEN PERMISSION.

NOTES

DRN.
RAS
10-11-98

SOUNDCRAFT
HARMAN INT. INDUSTRIES LTD.
CRANBORNE HOUSE,
CRANBORNE ROAD,
POTTERS BAR,
HERTS ENG 3JN
TEL: 01707 665000
FAX: 01707 660482

TITLE
B400/800
FAN FILTER PCB
DRG NO. ED 4031