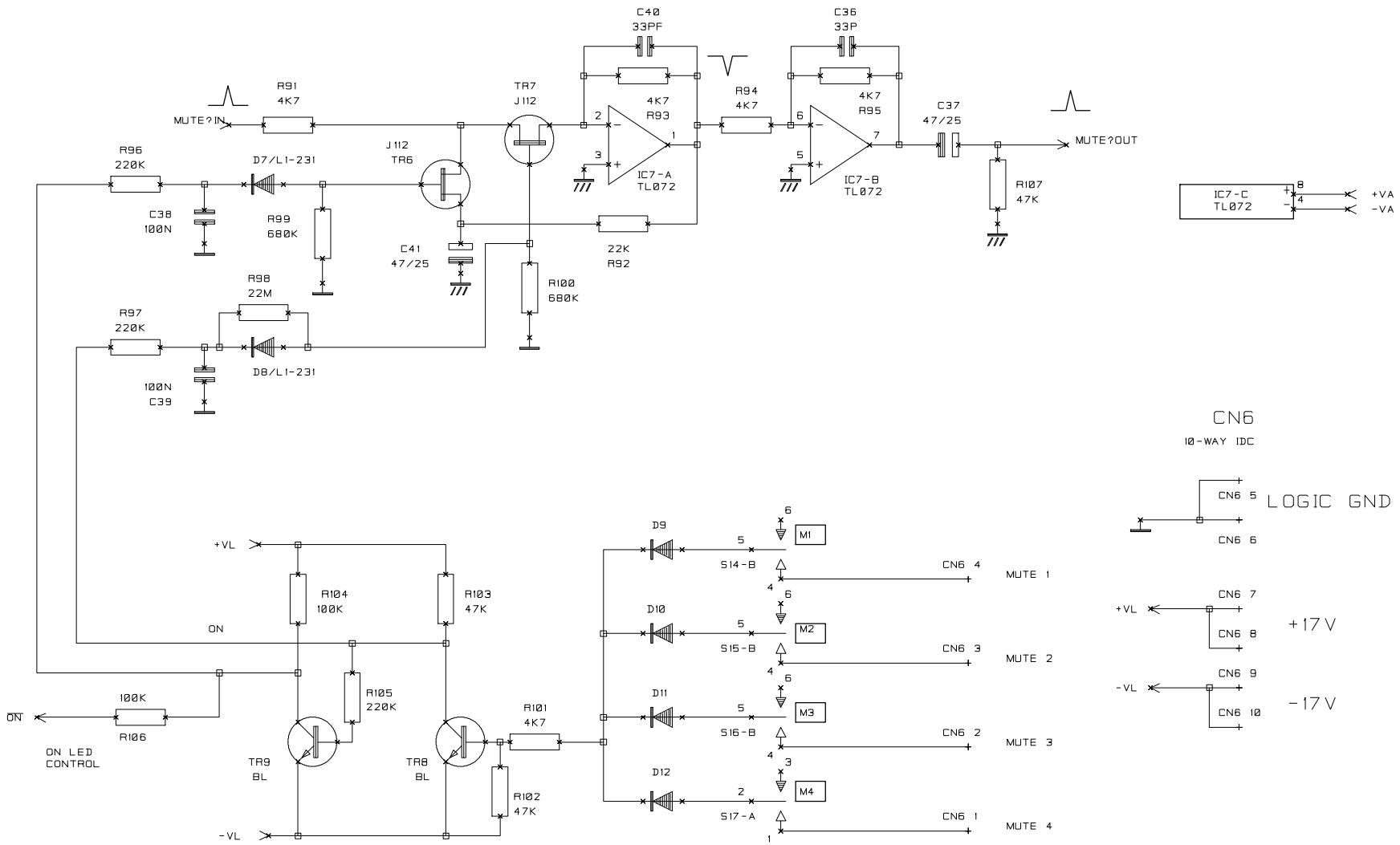


- NOTES
1. FIT LK66, LK69, LK78 FOR INSERT POST EQ
FIT LK65, LK67, LK69 FOR INSERT PRE EQ
LK66, LK68, LK78 (INSERT POST EQ) FITTED AS STANDARD
 2. FIT LK46 WHEN MUTE SYSTEM NOT USED
OMIT LK46. FIT TR9, R98 WHEN MUTE SYSTEM USED
 3. J2, J5 FITTED AS STANDARD (AUX 1 & 2 PRE FADE)
J7, J8 FITTED AS STANDARD (AUX 3 & 4 POST FADE)

DPN. DWE

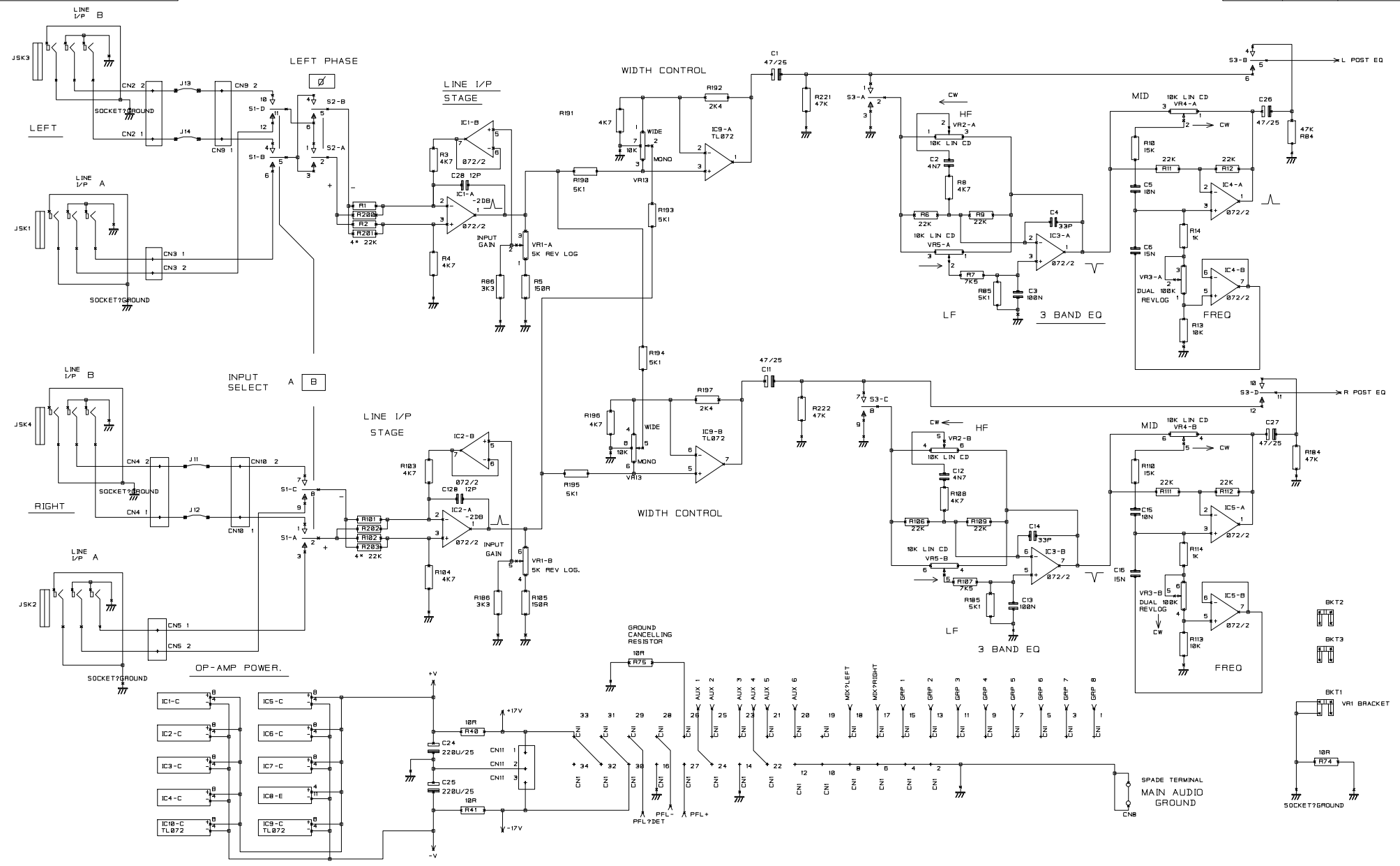
TITLE VENE INPUT



NOTES
 1. D7 -D12 ARE IN4148 OR EQUIVALENT
 2. ALL COMPONENTS OMITTED IF MUTE SYSTEM NOT USED.

FOR DELTA DLX:
 DO NOT FIT SW12,SW13,R80,R81,R82,R83,C35
 IC5 PART CHANGES TO TL072.

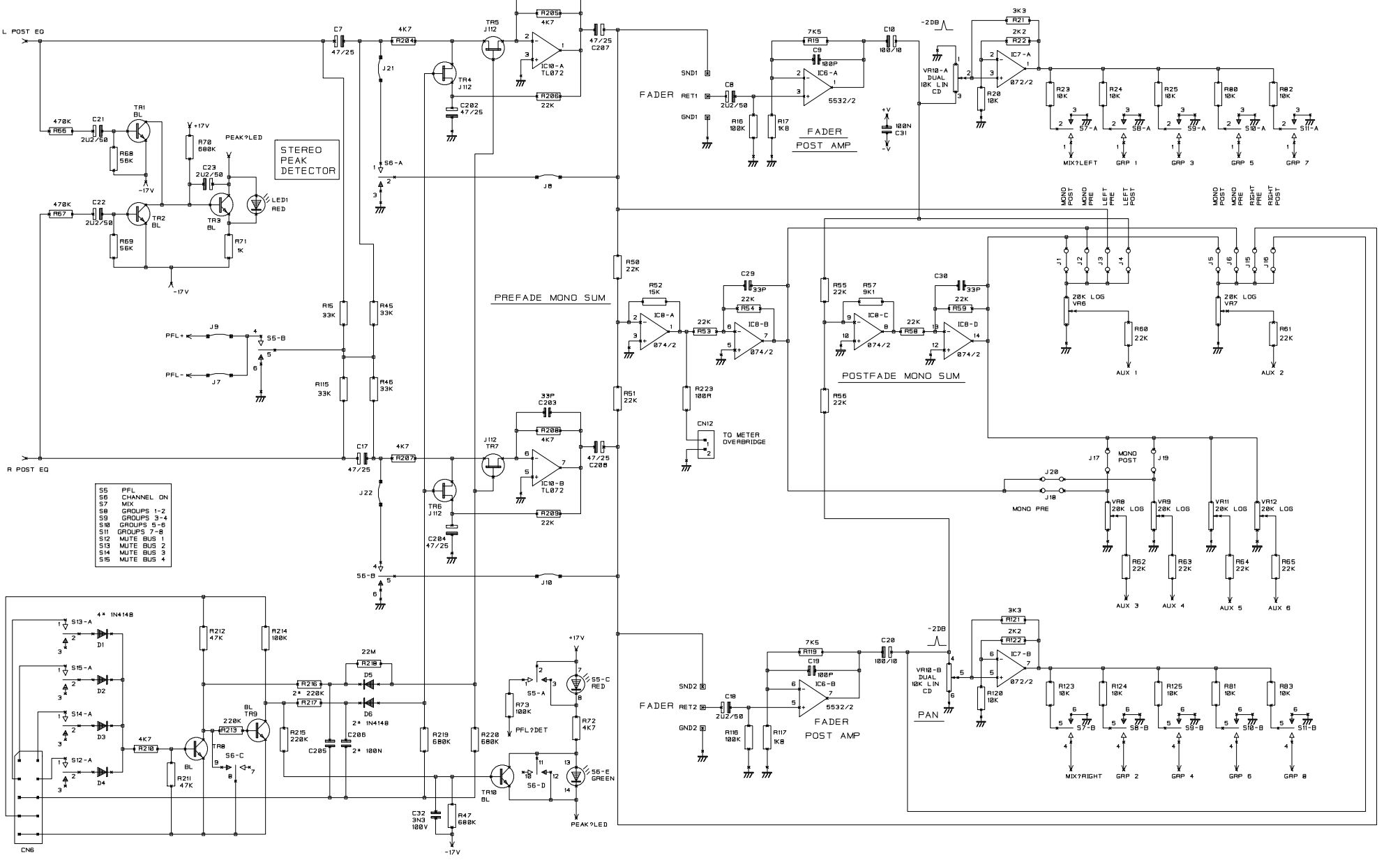
DRN	DWE	TITLE	VENUE INPUT
		DRG NO.	ED2911B
		SHT.	2 OF 2



NOTES
 IF MUTE NOT USED FIT R1;R2;R101 AND R102
 ELSE FIT R200;R201;R202 AND R203
 FOR DELTA DLX:
 DO NOT FIT SW10;SW11;R80;R81;R82;R83.

DRN.	TA

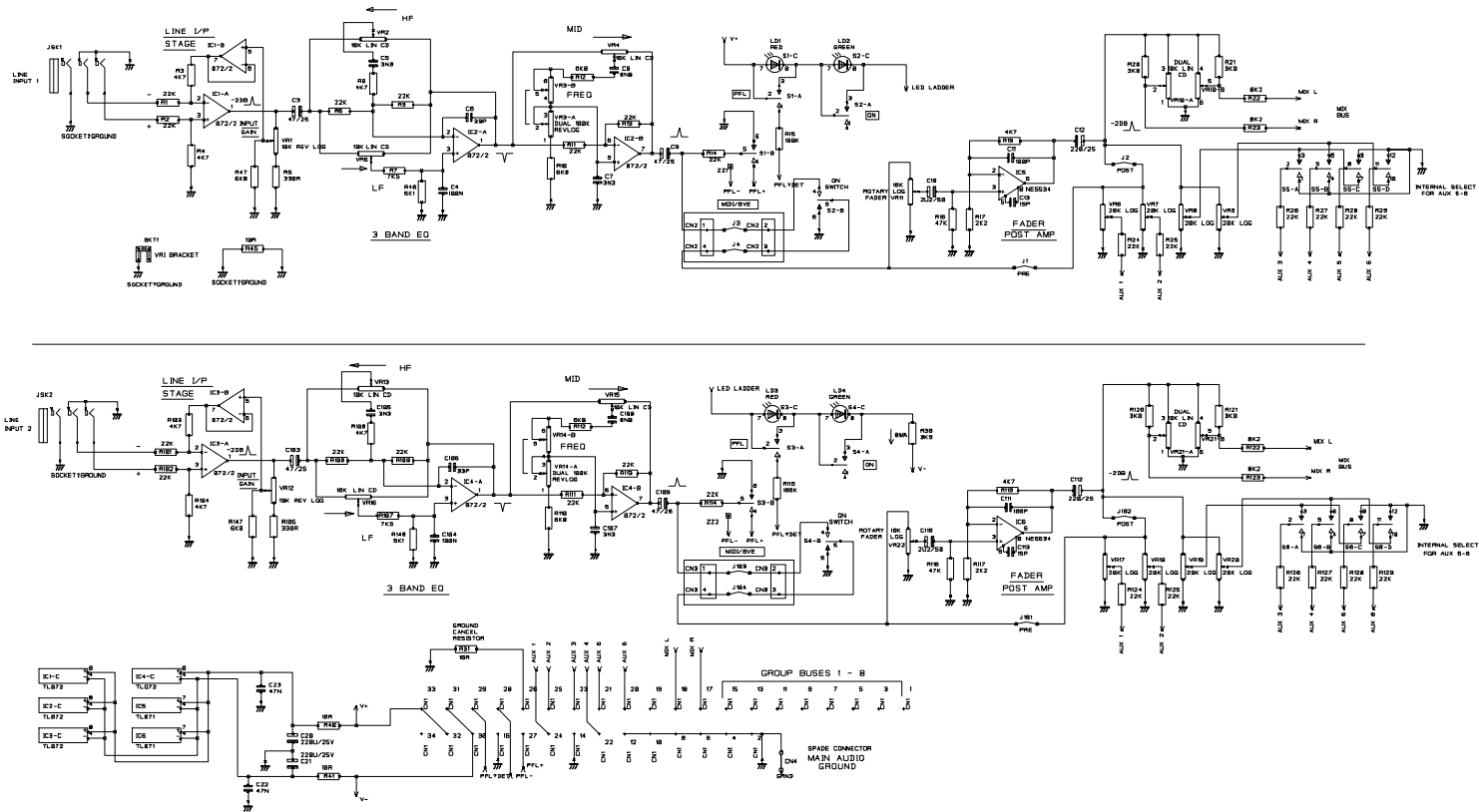
TITLE
 VENUE
 STEREO INPUT
 DRG NO. ED2915A



- S5 PFL
- S6 CHANNEL ON
- S7 MIX
- S8 GROUPS 1-2
- S9 GROUPS 3-4
- S10 GROUPS 5-6
- S11 GROUPS 7-8
- S12 MUTE BUS 1
- S13 MUTE BUS 2
- S14 MUTE BUS 3
- S15 MUTE BUS 4

NOTES
 IF MUTE USED FIT J7;R15,R115 ELSE FIT J21;J8,J9,J22,J10;R45 AND R46

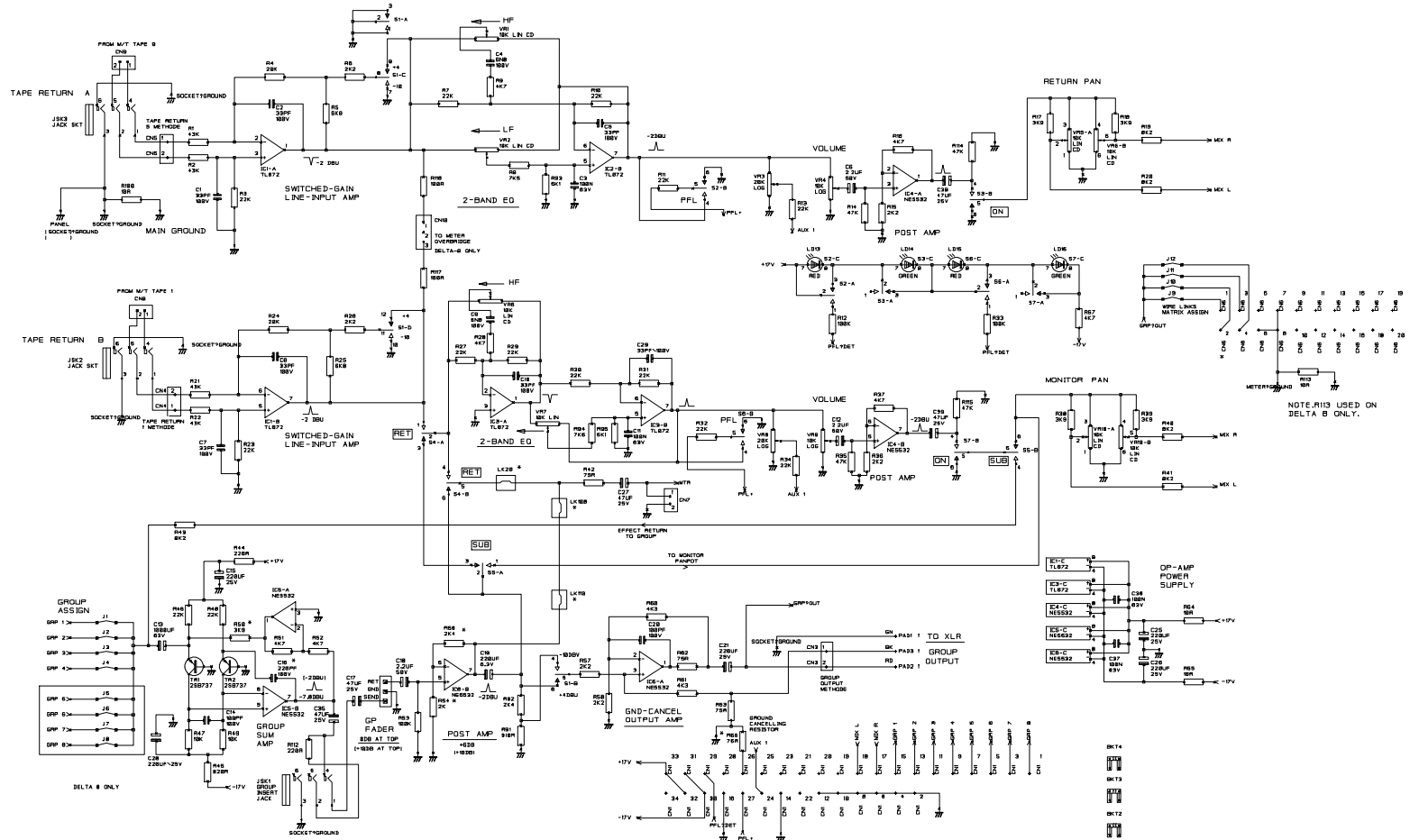
DRN.
 TITLE
 VENUE
 STEREO INPUT
 DRG NO. ED2915 B



NOTES

DRN. JH

TITLE
DELTA DUAL LINE INPUT
DRG NO ED2776

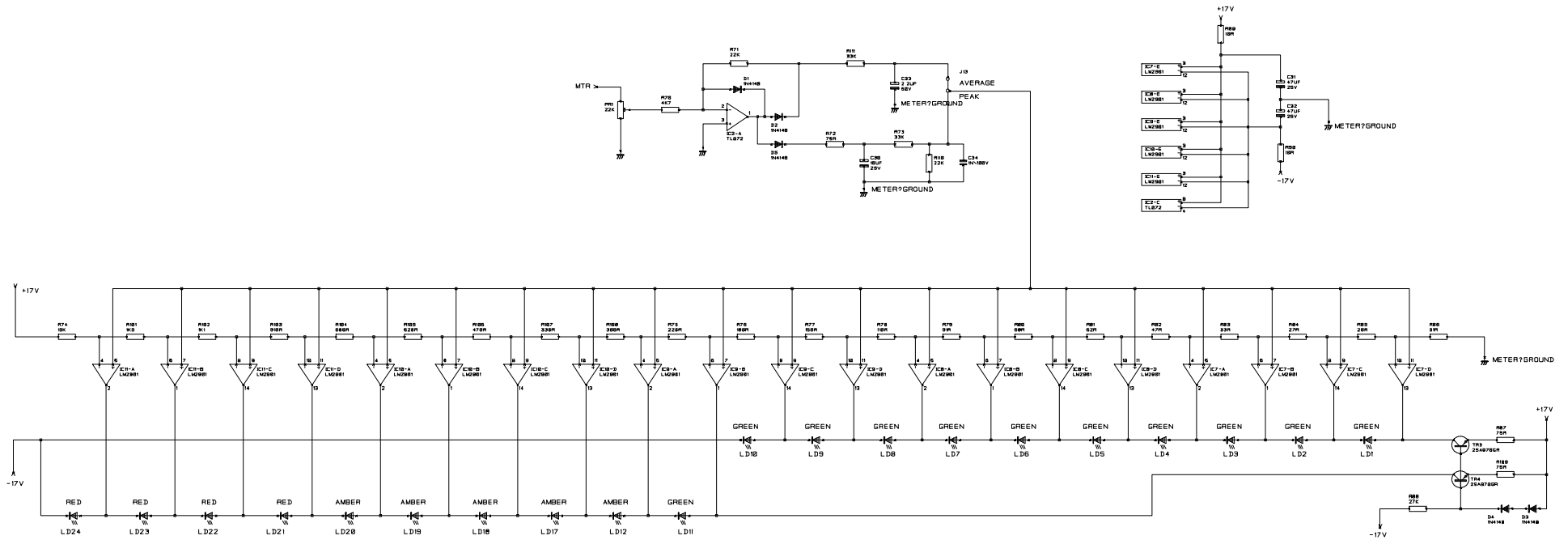


NOTES * FOR DELTA B OUTPUT: C16 IS 100PF *
 R50 IS 8K2 *
 R52 IS 4K7 *
 R54 IS 2K2 *
 C16 IS NOT FITTED *
 R52 IS NOT FITTED *
 LK28 IS NOT FITTED *

FOR DELTA 800 OUTPUT: LK10B IS NOT FITTED *
 LK11B IS NOT FITTED *
 LEVELS IN BRACKETS. 1-2DBU. REFER TO DELTA 8 OUTPUT.

DRN. TA

TITLE DELTA & DELTA 8
 GROUP OUTPUT
 DRG NO. ED2778A SHT. 1 OF 2



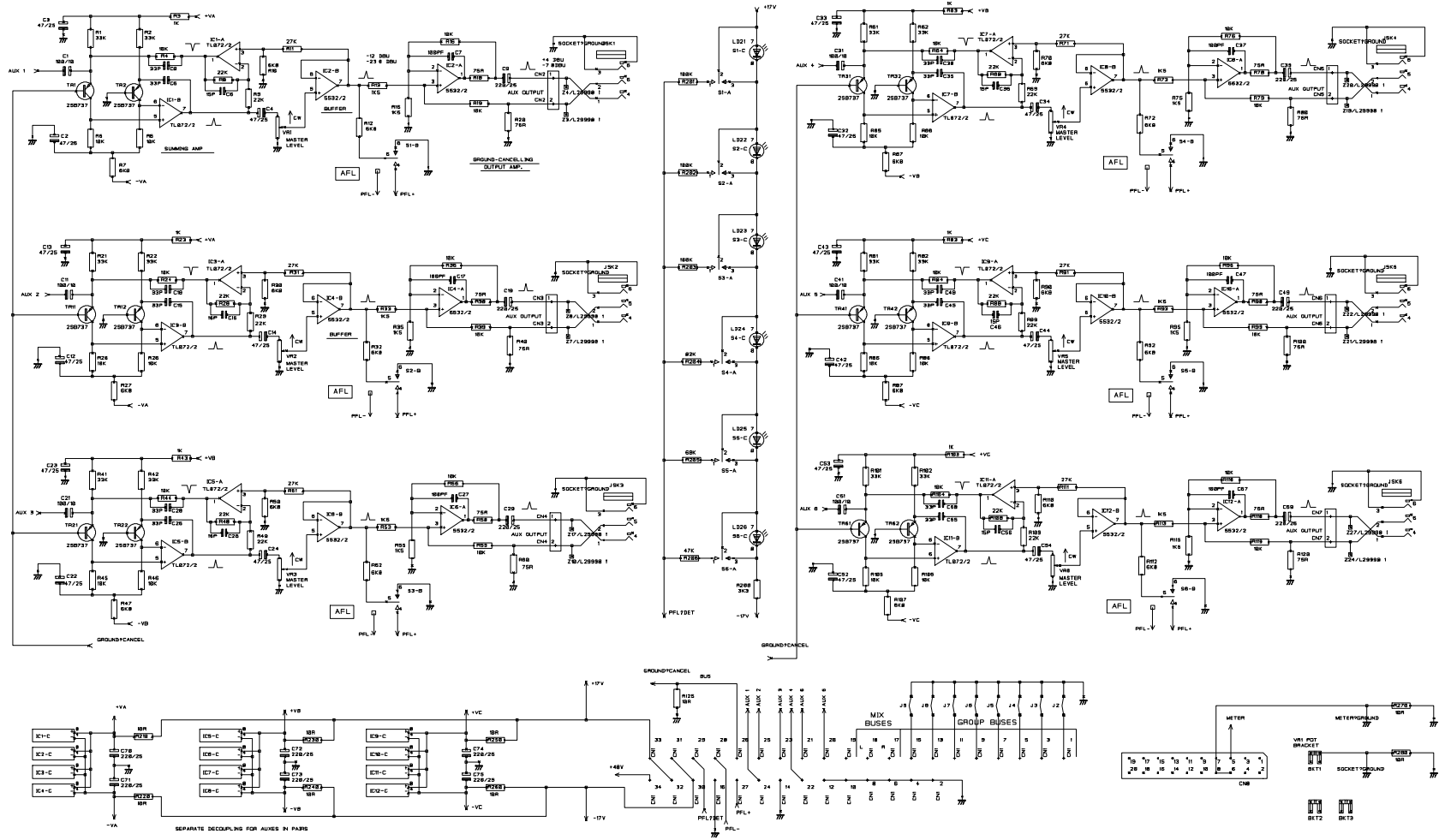
NOTES

DRN. JH

TITLE DELTA & DELTA 8
GROUP OUTPUT

DRG NO ED2778B

SHT 2 OF 2

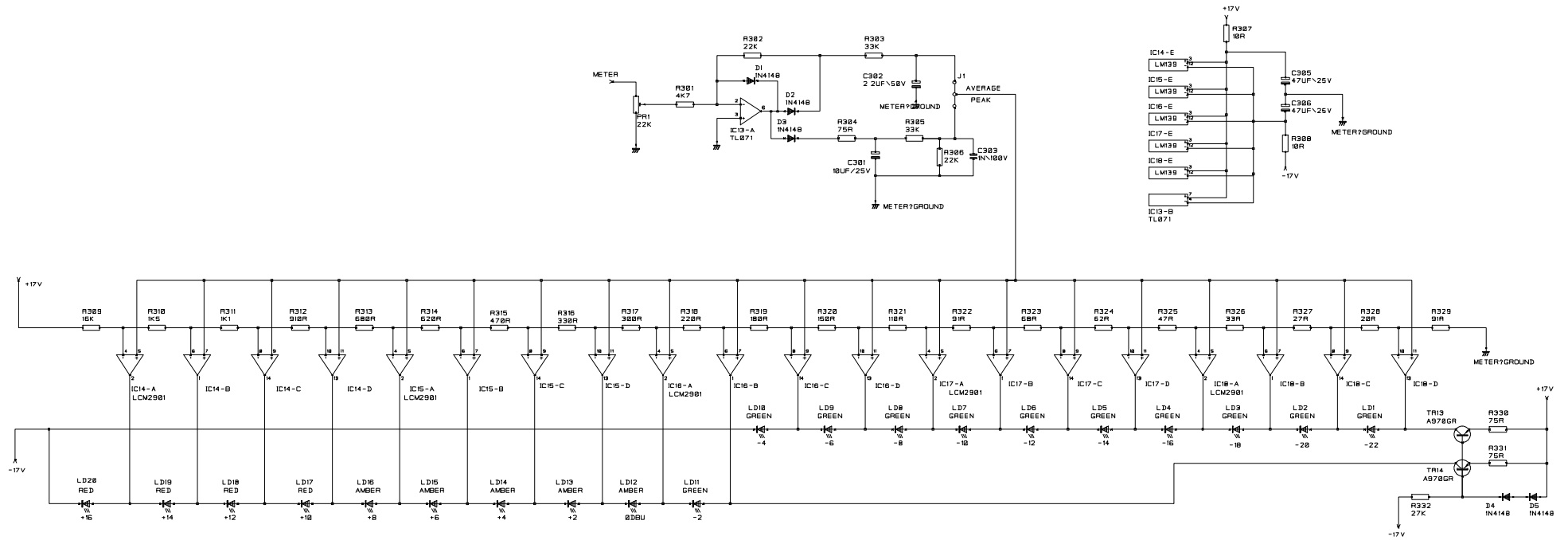


NOTES

DRN. JH

TITLE DELTA
LEFT HAND MASTER

DRG NO. ED2779A



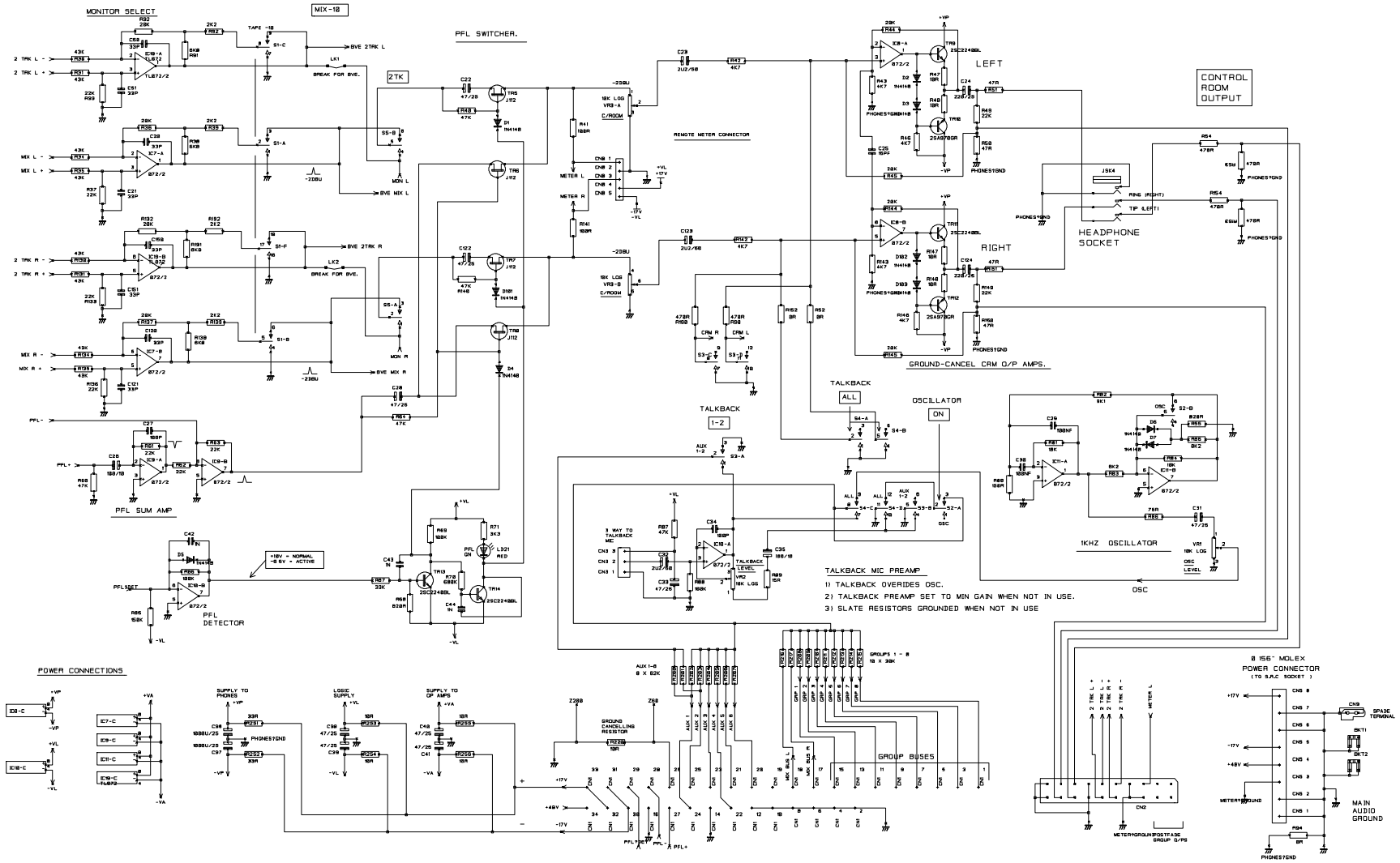
NOTES

DRN. JH

TITLE
DELTA
LEFT HAND MASTER

DRG NO. ED 2779B

SHT. 2 OF 2



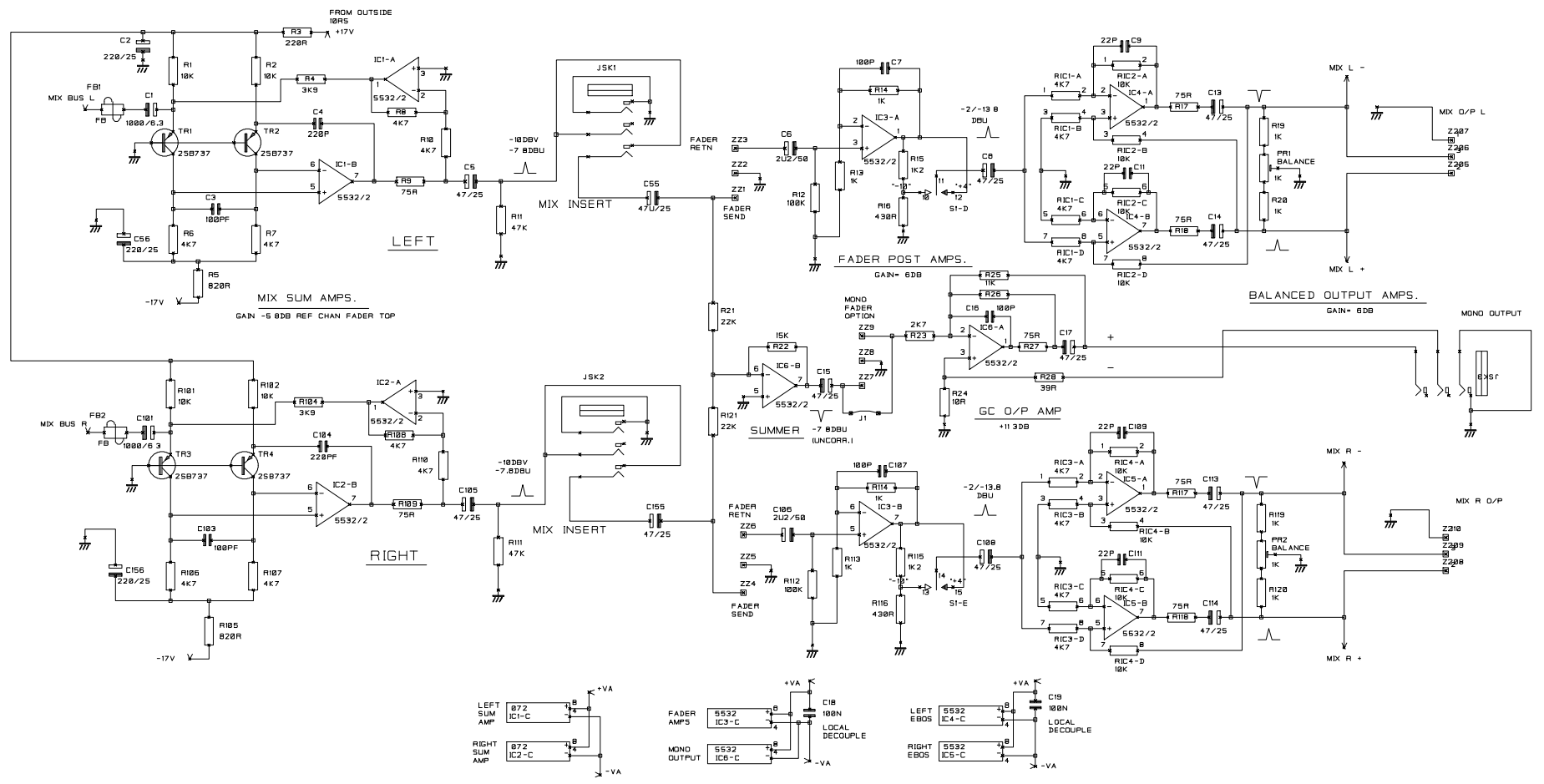
NOTES

DRN M SPARKES

TITLE DELTA
R.H.MASTER

DRG NO ED2780

SHT. 1 OF 4

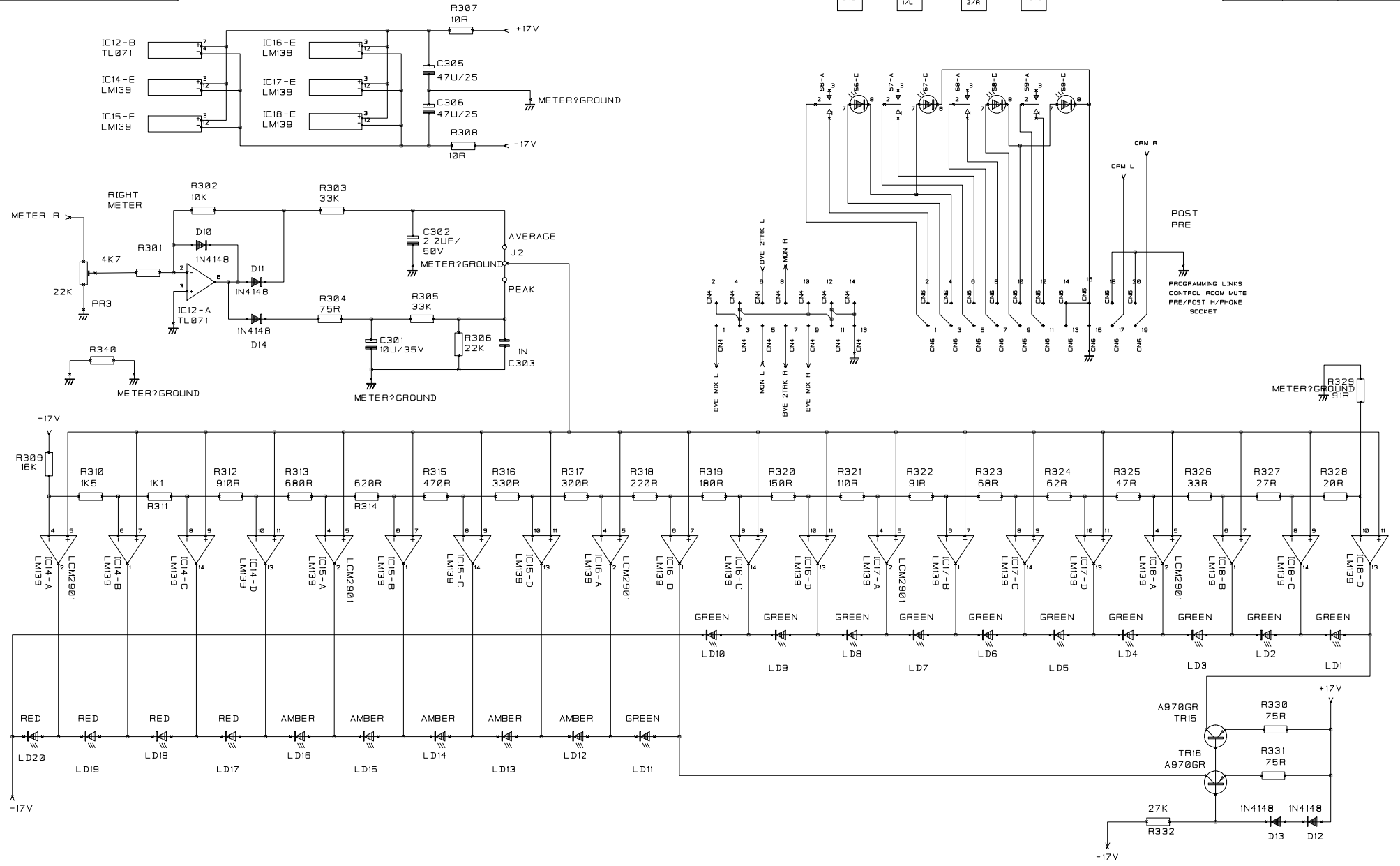


NOTES

DRN. M.SPARKES

TITLE DELTA R.H.MASTER

DRG NO ED2780



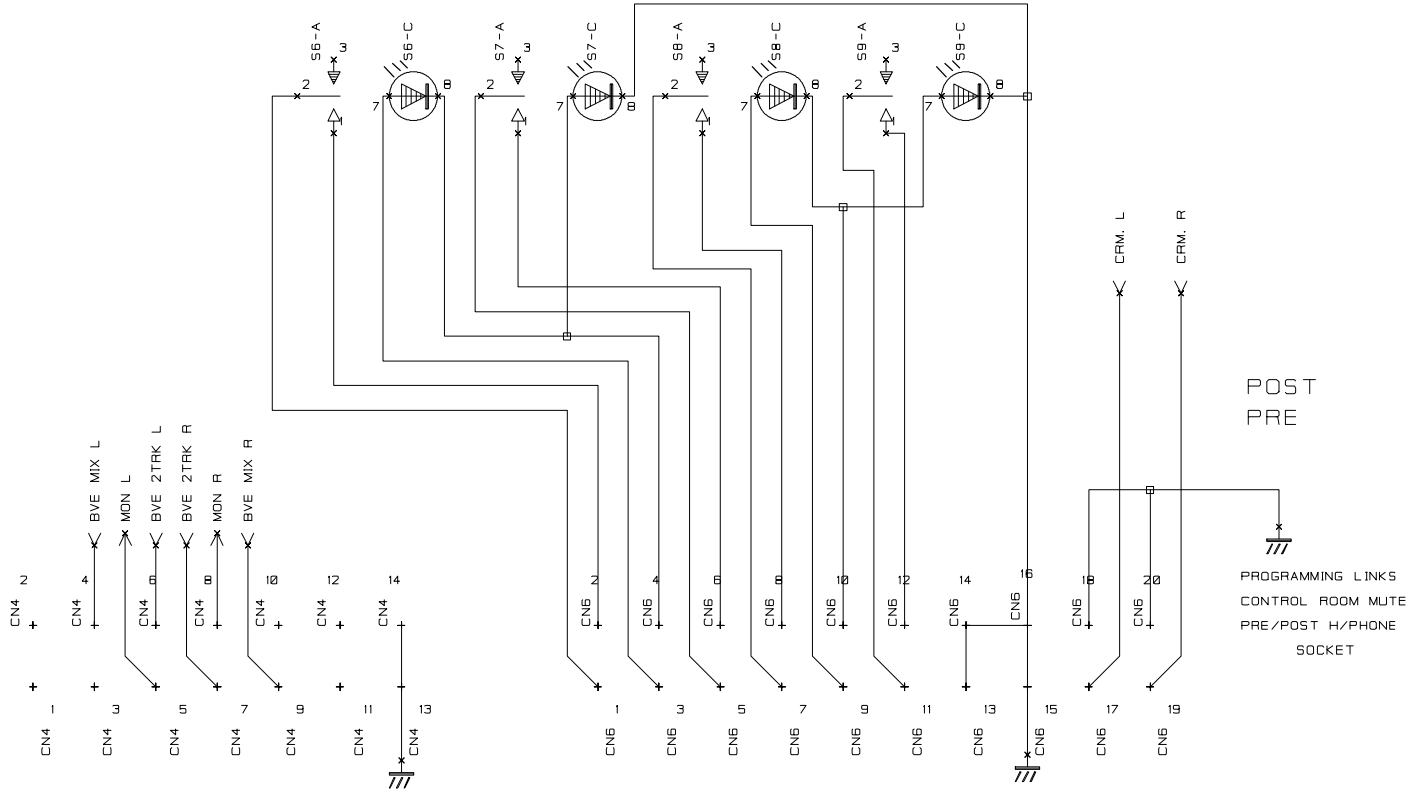
NOTES

DRN. M.SPARKES

TITLE DELTA R.H.MASTER

DRG NO ED2780

BVE MON
I/L MON
Z/R MUTE

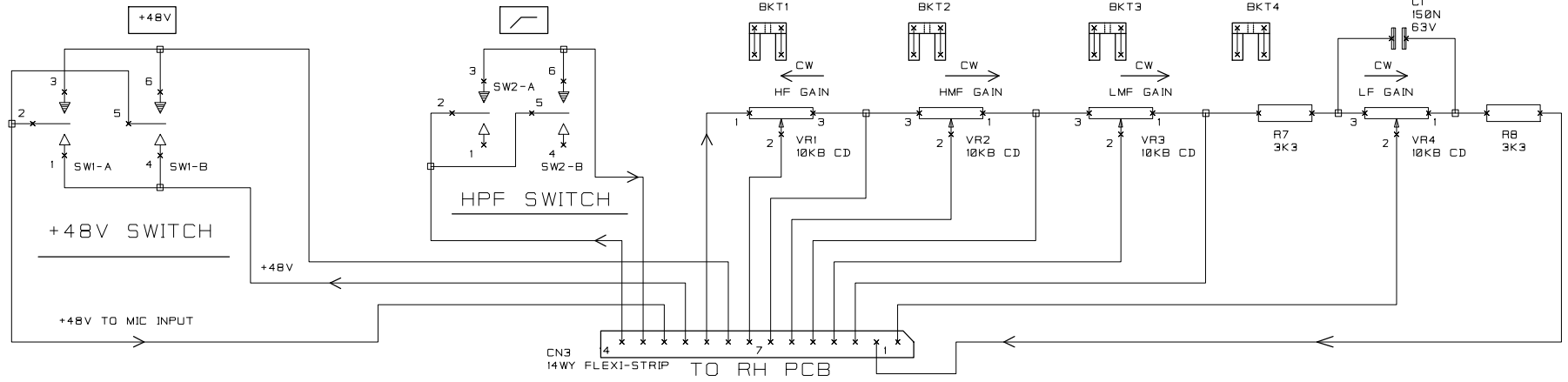


NOTES

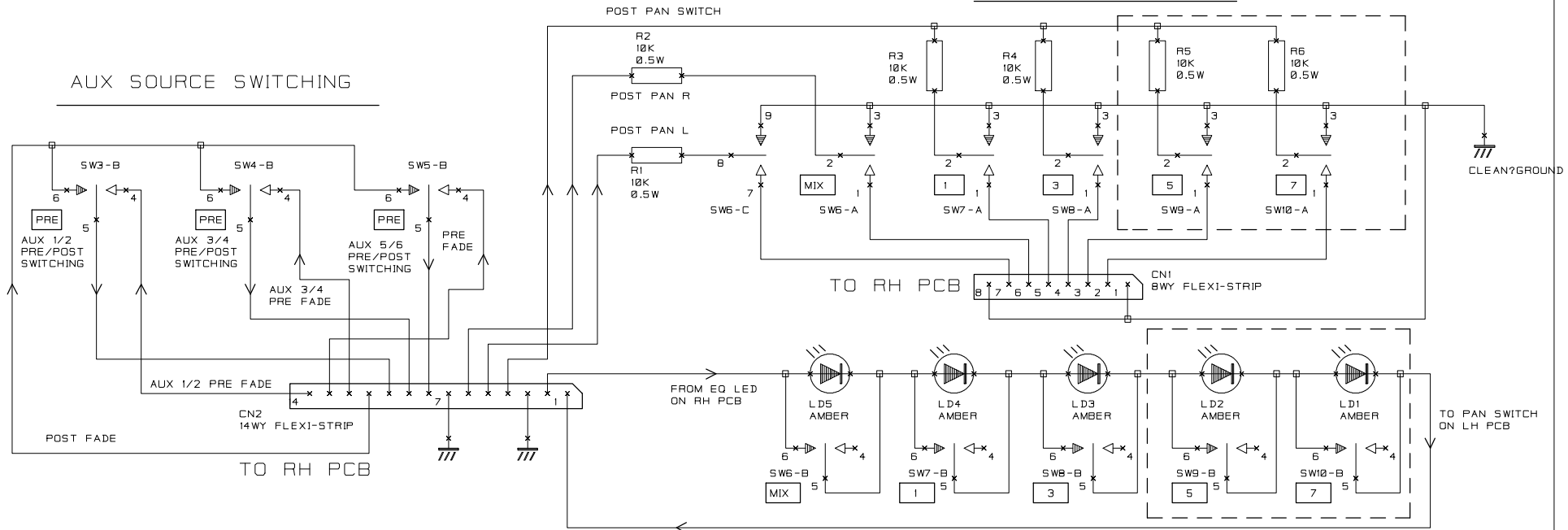
DRN.	JH	TITLE	DELTA R/HAND MASTER. BVE OPTION
		DRG NO.	ED 2780

INITIAL	ISSUE	DATE
DCB	3	4/8/93

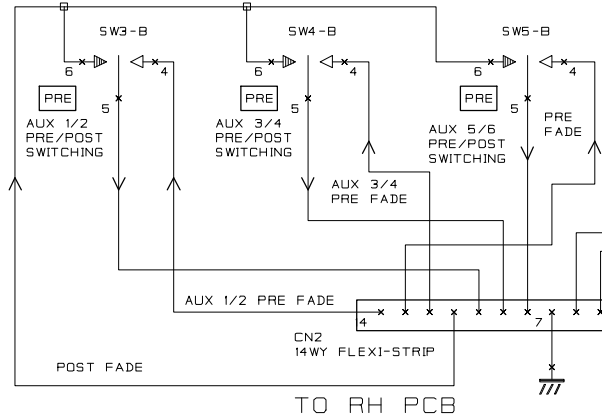
EQ GAIN CONTROLS



GROUP ROUTING



AUX SOURCE SWITCHING

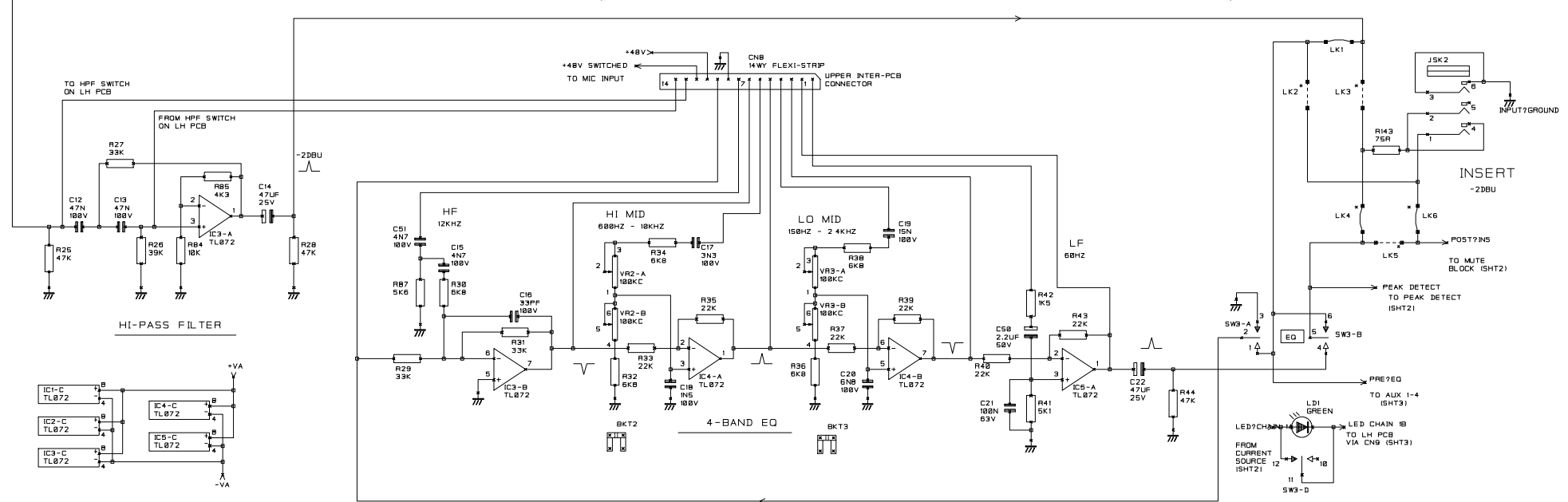
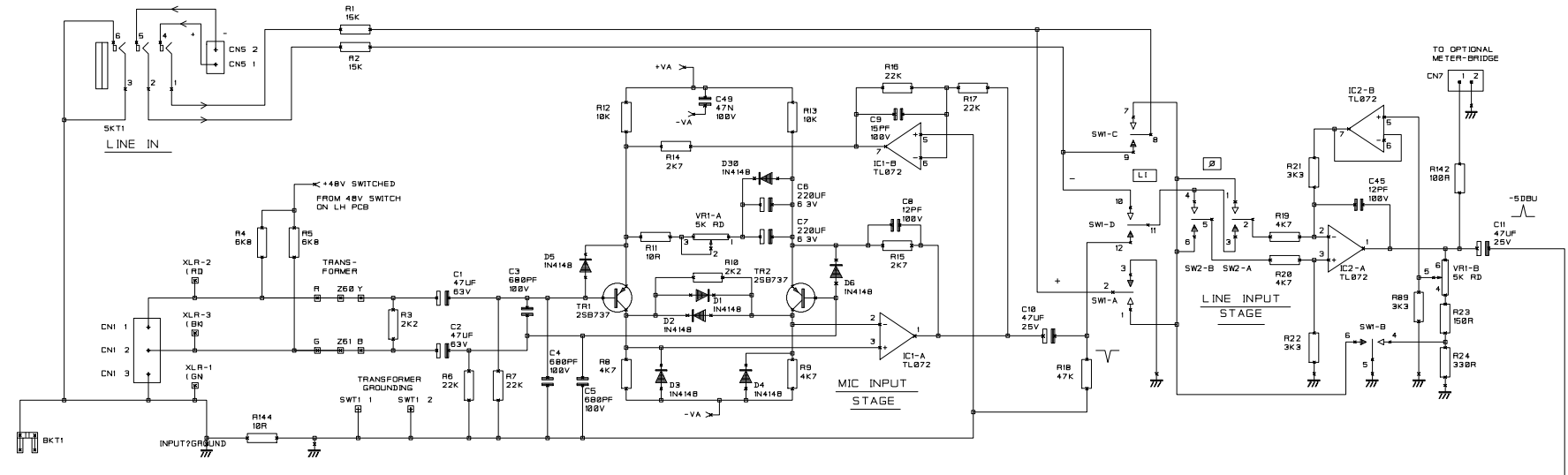


NOTES COMPONENTS IN DOTTED AREA NOT FITTED FOR DELTA. LD1 & LD2 LINKED ON DELTA N.B. LK2 IS FITTED IN DOTTED AREA

DRN. AP

TITLE VENUE II & DELTA THEATRE INPUT LH PCB

DRG NO. ED 3151

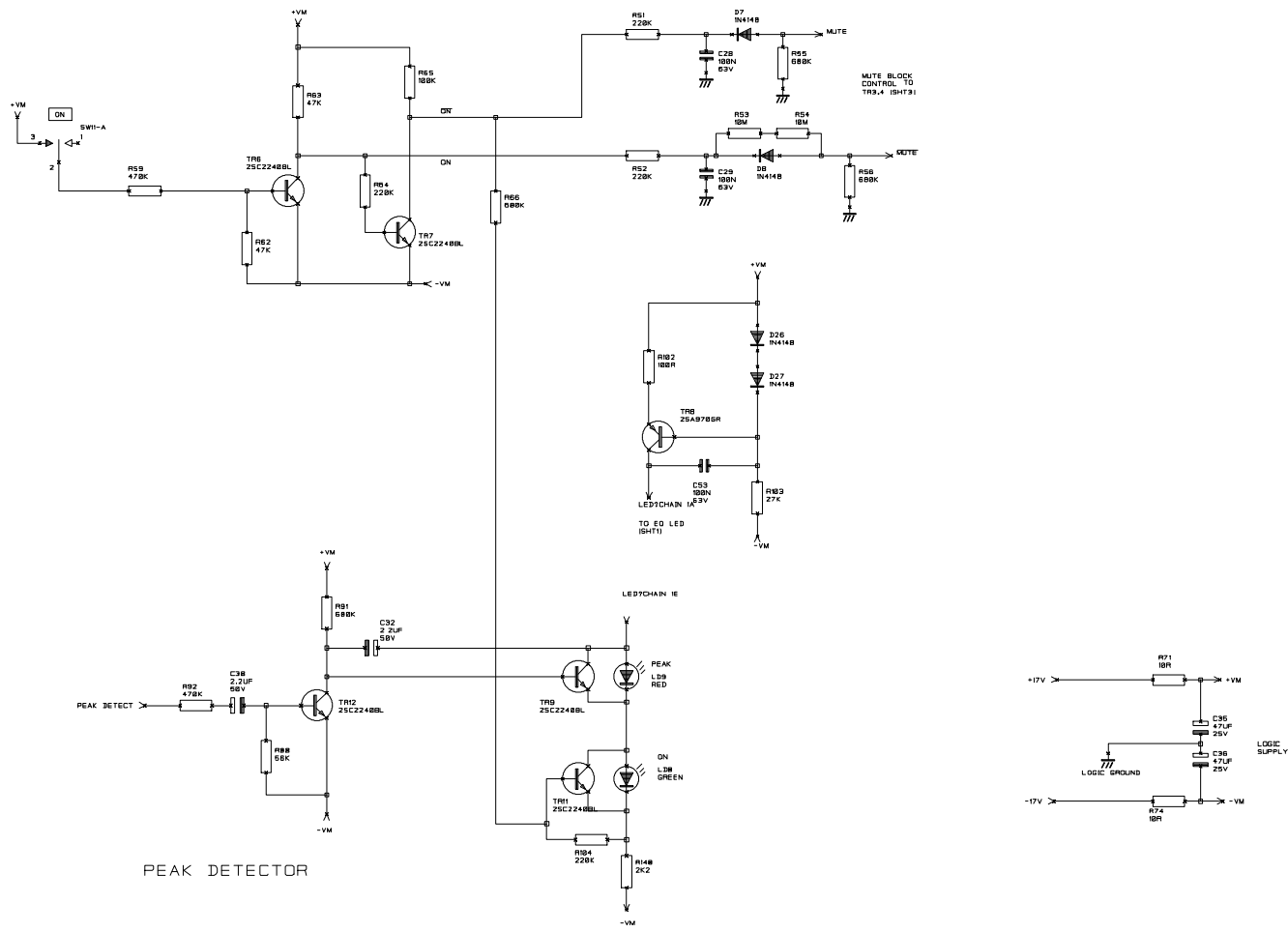


NOTES

DRN. EMT

TITLE DELTA THEATRE INPUT (INPUT & EQ) RH PCB

DRG NO. ED 3344A

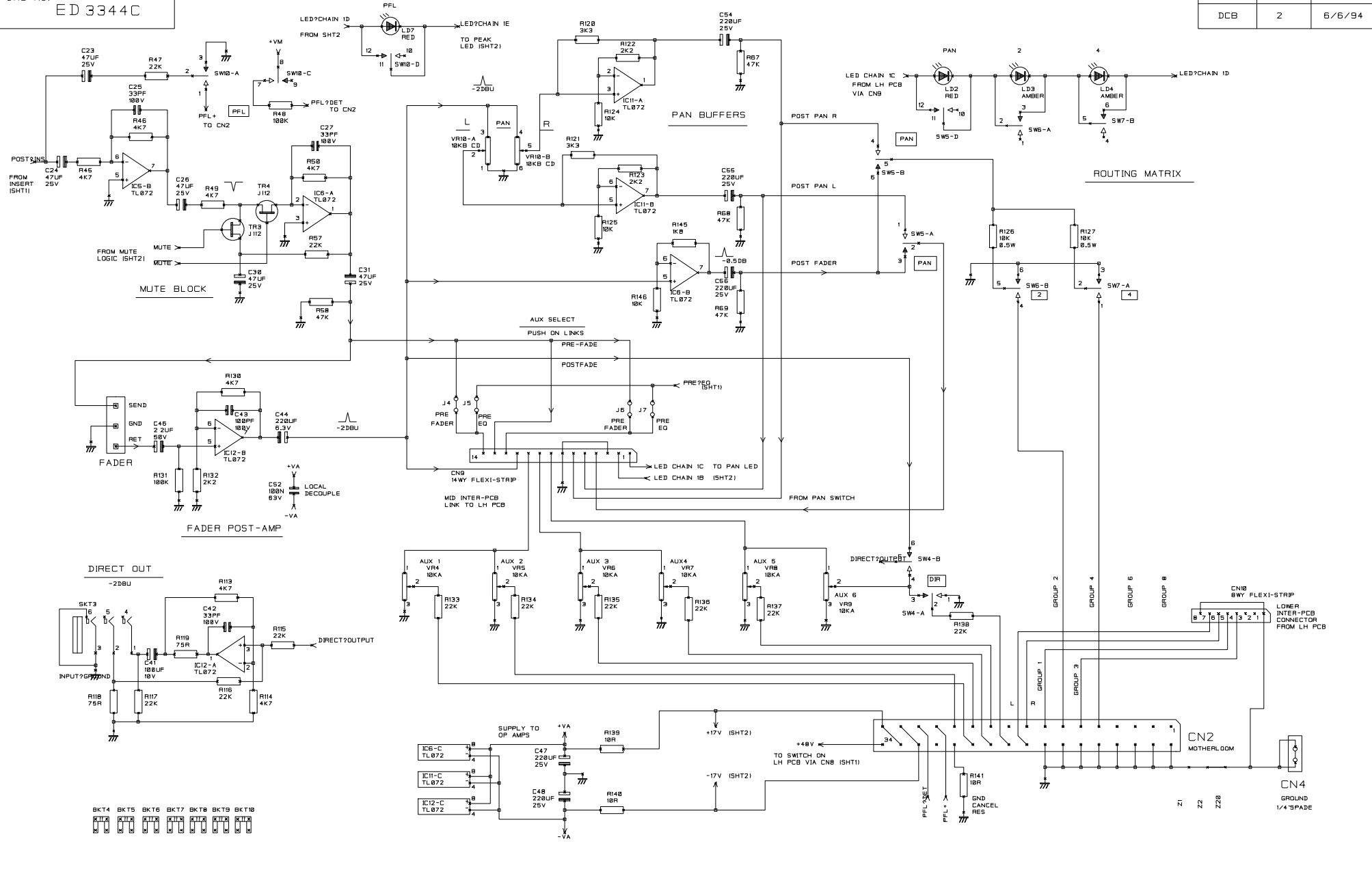


NOTES

DRN. EMT

TITLE DELTA THEATRE INPUT RH PCB

DRG NO. ED 3344B



NOTES	DRN.	EMT	TITLE DELTA THEATRE INPUT (FADER, AUX & ROUTING) RH PCB
			DRG NO. ED 3344C