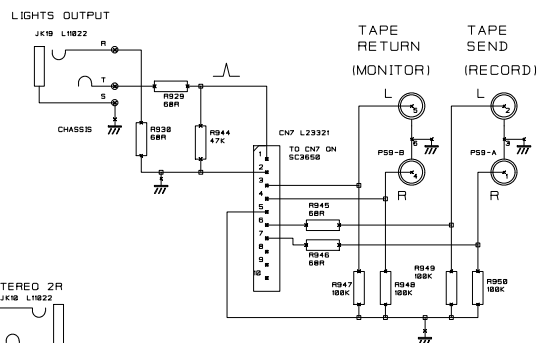
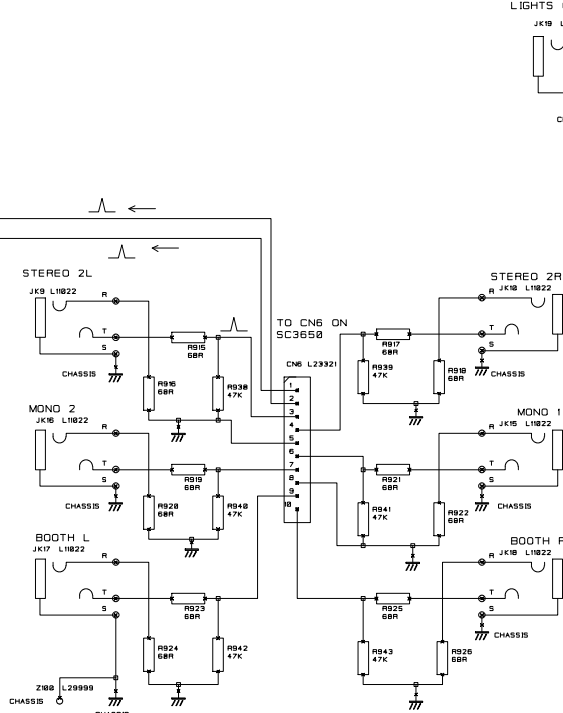
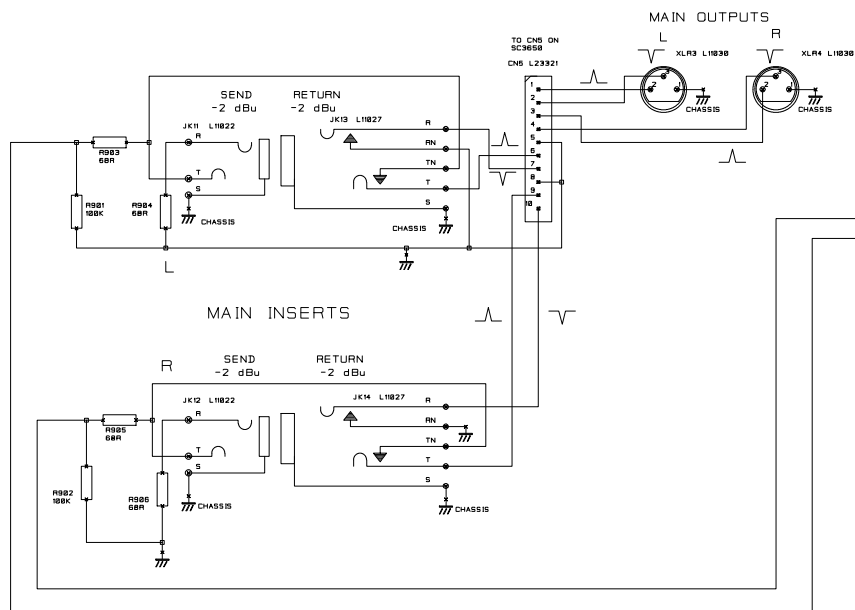
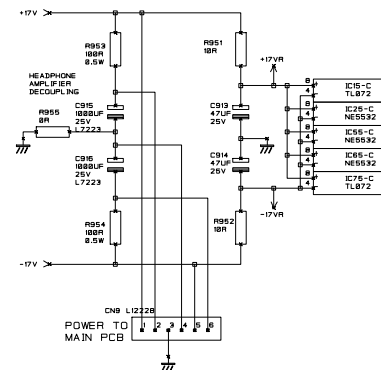
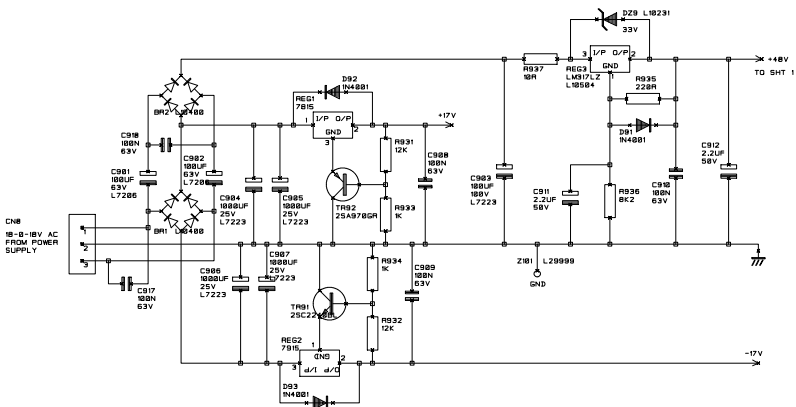
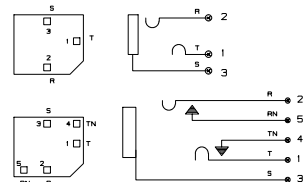


INITIAL	ISSUE	DATE
PRH	3	10-10-96



PHONE JACK SCHEMATIC



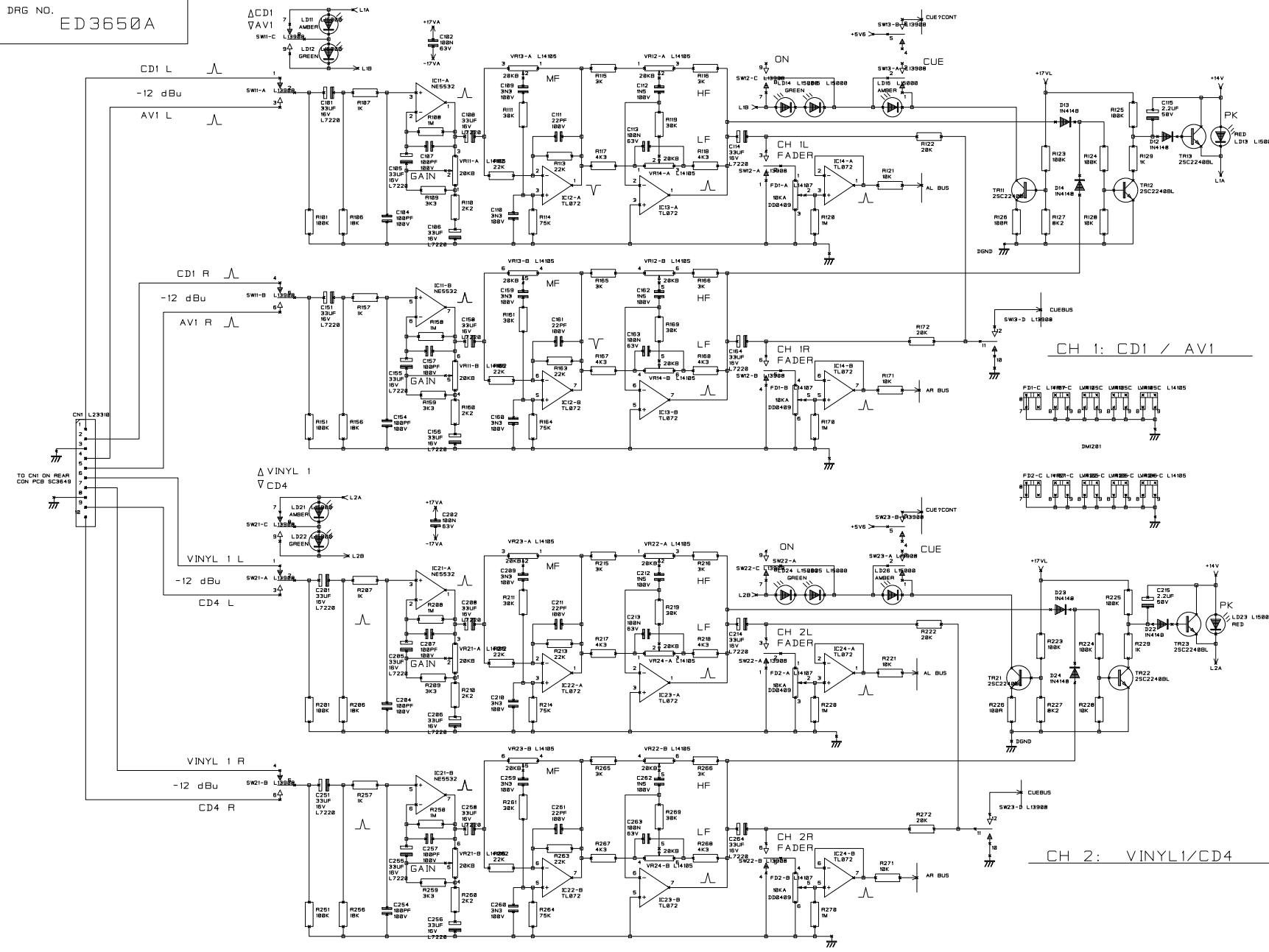
NOTES

DRN. RNJS

TITLE D-MIX500
REAR CON PCB

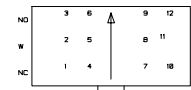
DRG NO. ED3649B

INITIAL	ISSUE	DATE
RNJS	5:02	7/6/99

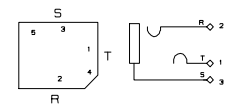


ALL VIEWED
ON COMPONENT
SIDE OF PCB

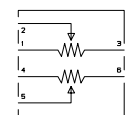
SWITCH JPS4281A
CONNECTIONS



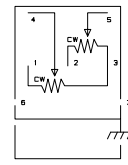
PHONES JACK CONNECTIONS



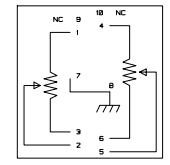
CROSS FADER
CONNECTIONS



POT CONNECTIONS
VR5-VR8 INCL.



FADER CONNECTIONS
FD1-FD8 INCL.



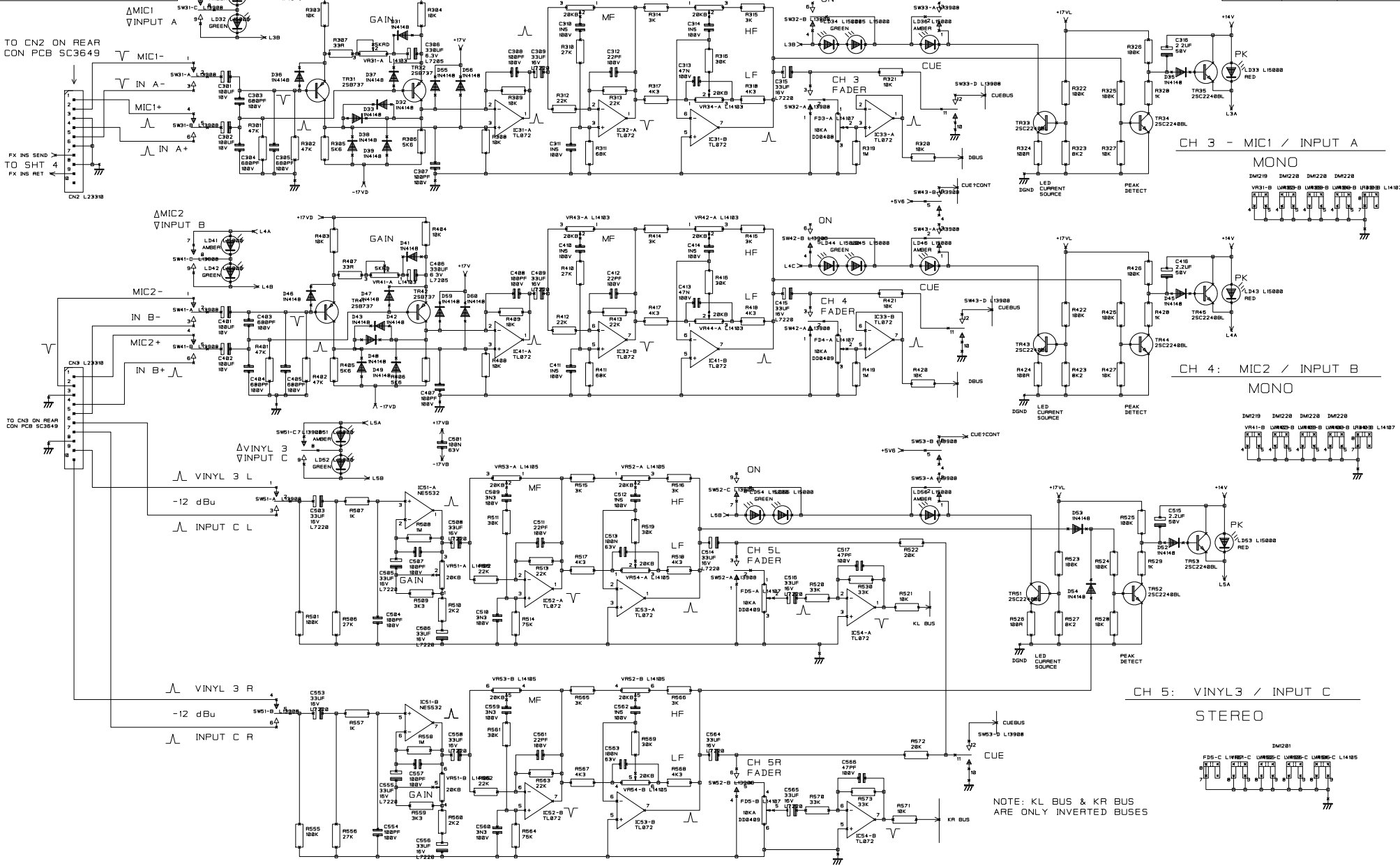
NOTES

DRN. MFR

TITLE D-MIX500
MAIN BOARD
CHANNELS 1 & 2

DRG NO. ED3650A

INITIAL	ISSUE	DATE
RNJS	5:02	7/6/99

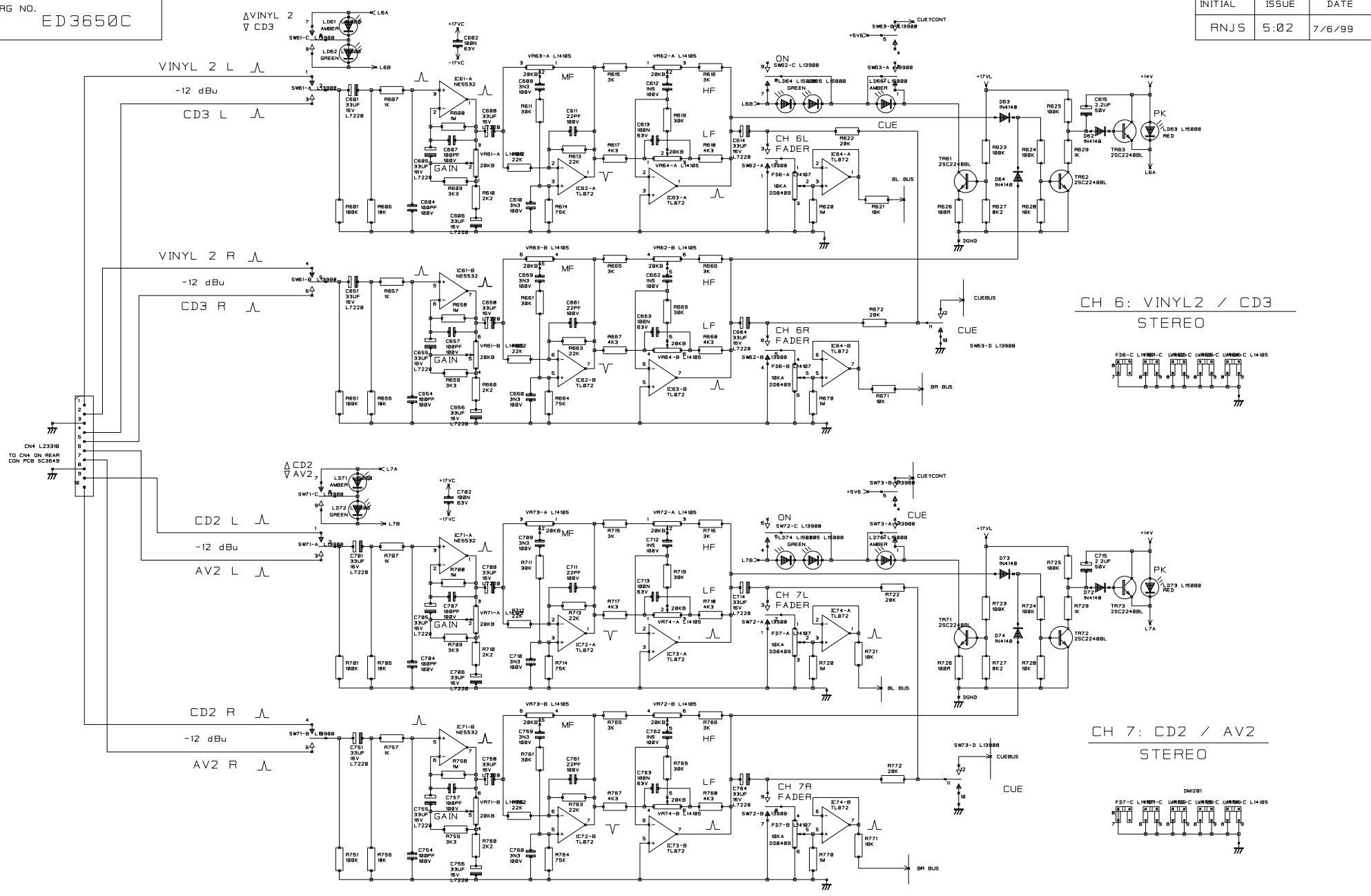


NOTES

DRN. MFR

NOTE: KL BUS & KR BUS ARE ONLY INVERTED BUSES

TITLE D-MIX500 MAIN BOARD INPUTS 3 - 5
 DRG NO. ED3650B



CH 6: VINYL2 / CD3
STEREO

CH 7: CD2 / AV2
STEREO

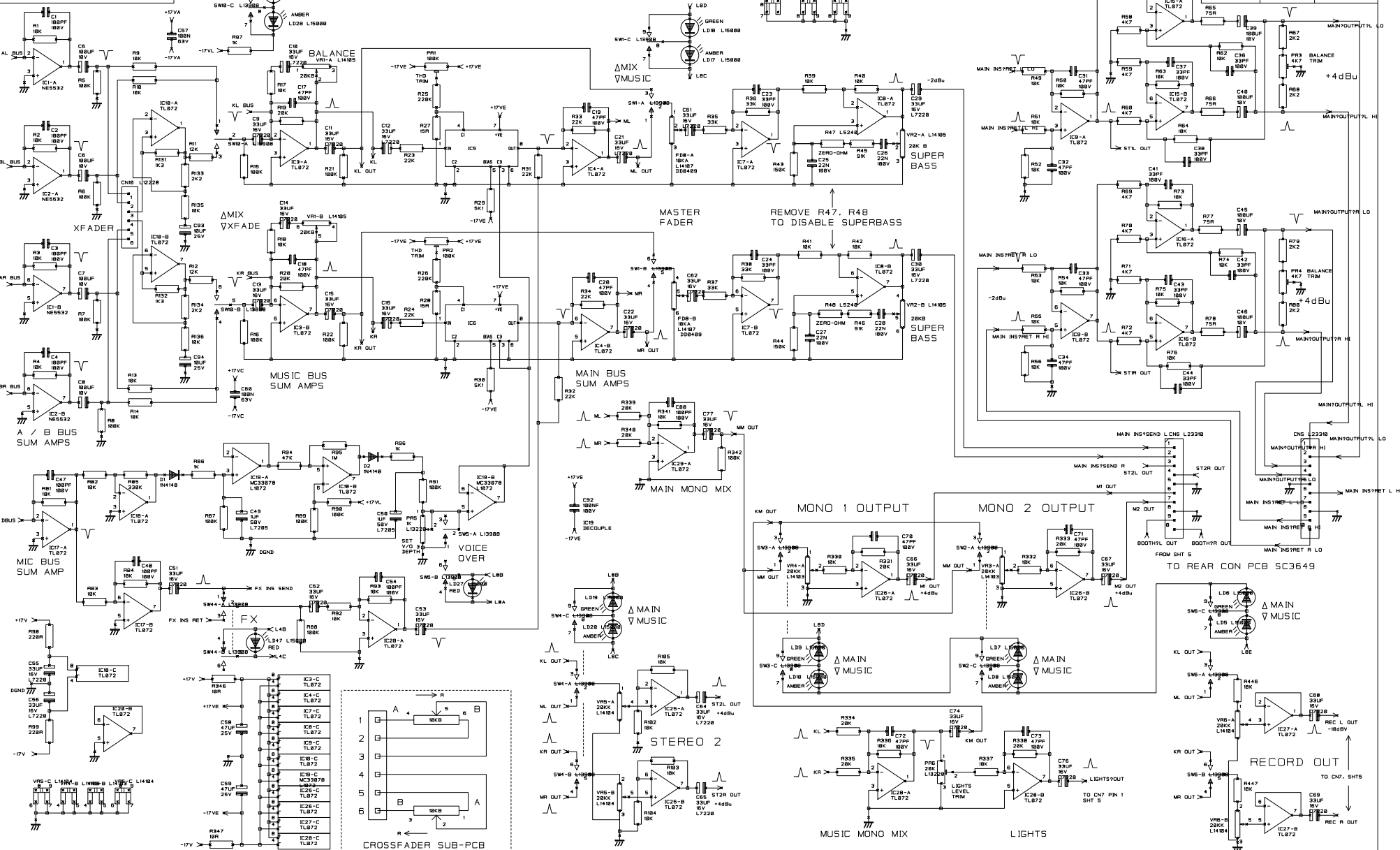
NOTES

DRN. MFR

TITLE D-MIX500
MAIN BOARD
CHANNELS 6 & 7

DRG NO. ED3650C

INITIAL	ISSUE	DATE
RNJS	5:02	7/6/99

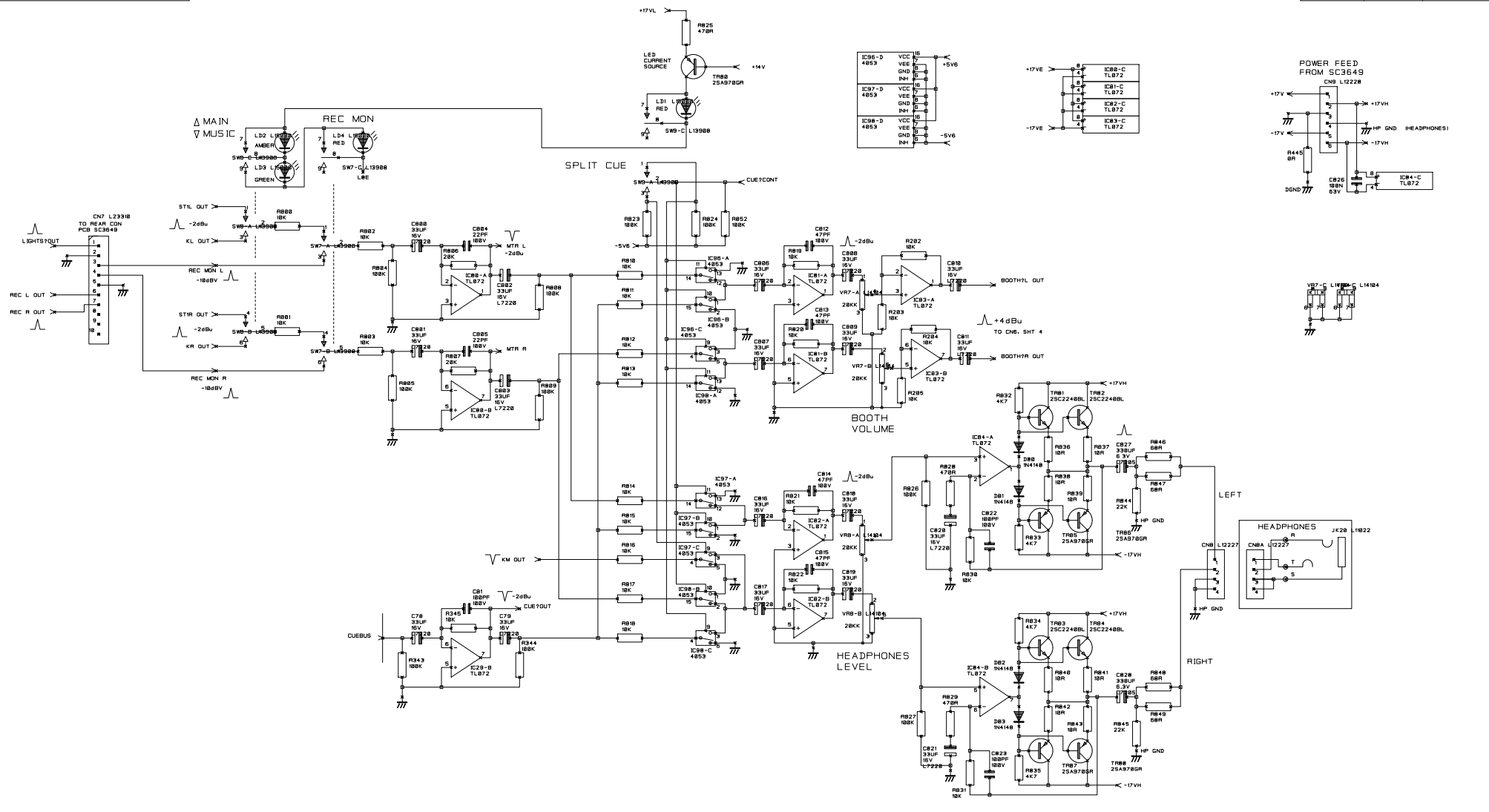


NOTES
 CUT LINKS IN POSITIONS R47 & R48 TO DISABLE SUPER BASS
 MONO MIX CIRCUITS GIVE -6dB FROM EACH SIDE

DRN.	MFR
TITLE	
D-MIX500	
MAIN PCB	
MASTER SECTION	
DRG NO.	
ED3650D	

TITLE	
D-MIX500	
MAIN PCB	
MASTER SECTION	
DRG NO.	
ED3650D	

INITIAL	ISSUE	DATE
RNJS	5:02	7/6/99



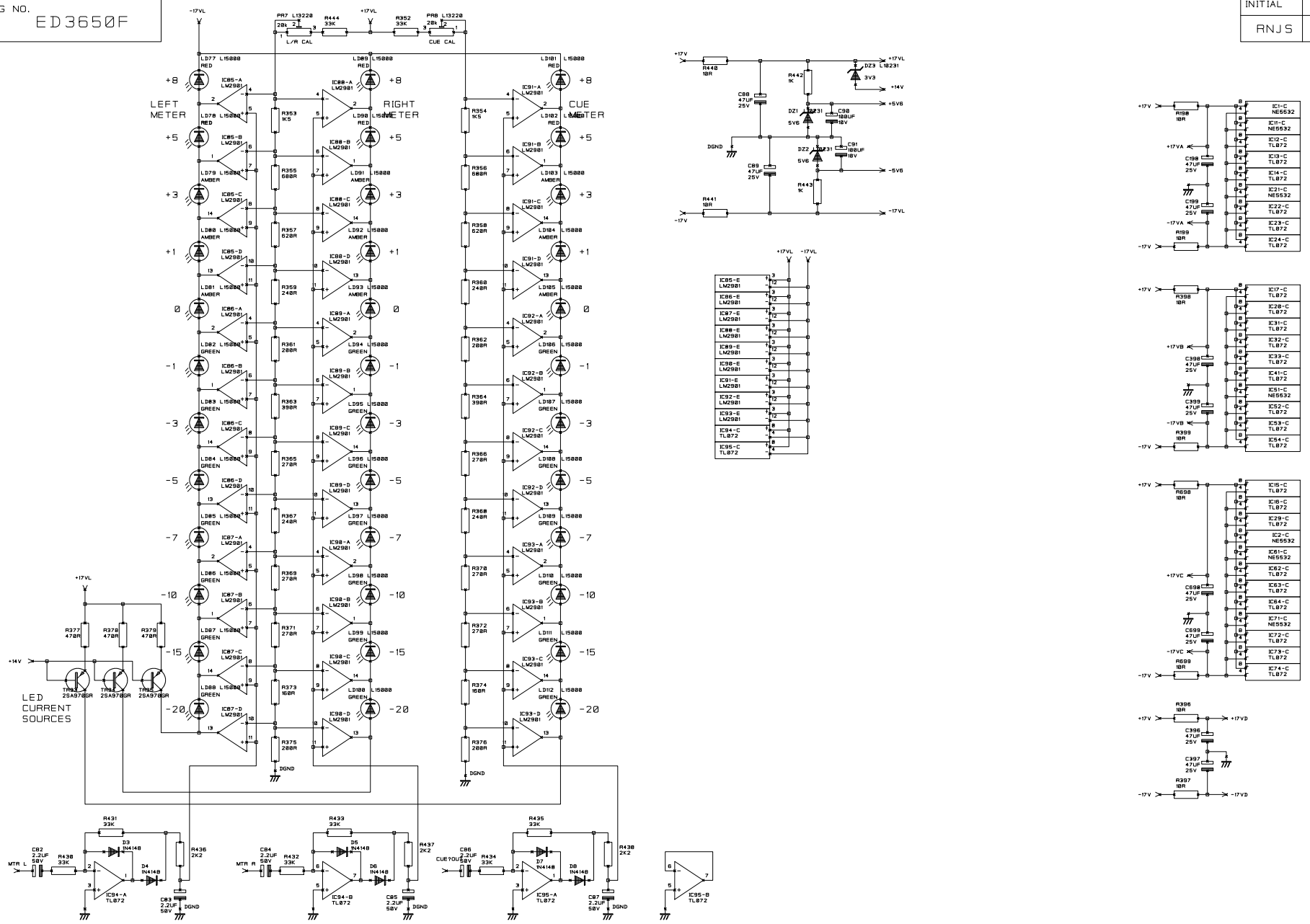
NOTES

DRN. MFR

TITLE D-MIX500
MAIN PCB
MONITOR

DRG NO. ED3650E

INITIAL	ISSUE	DATE
RNJS	5:02	7/6/99



NOTES

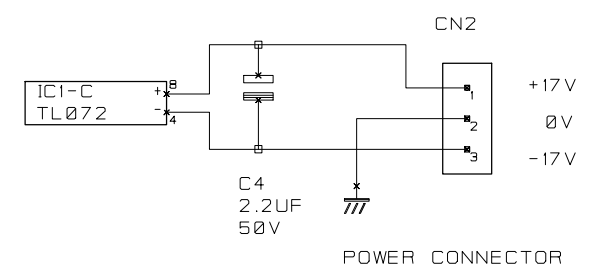
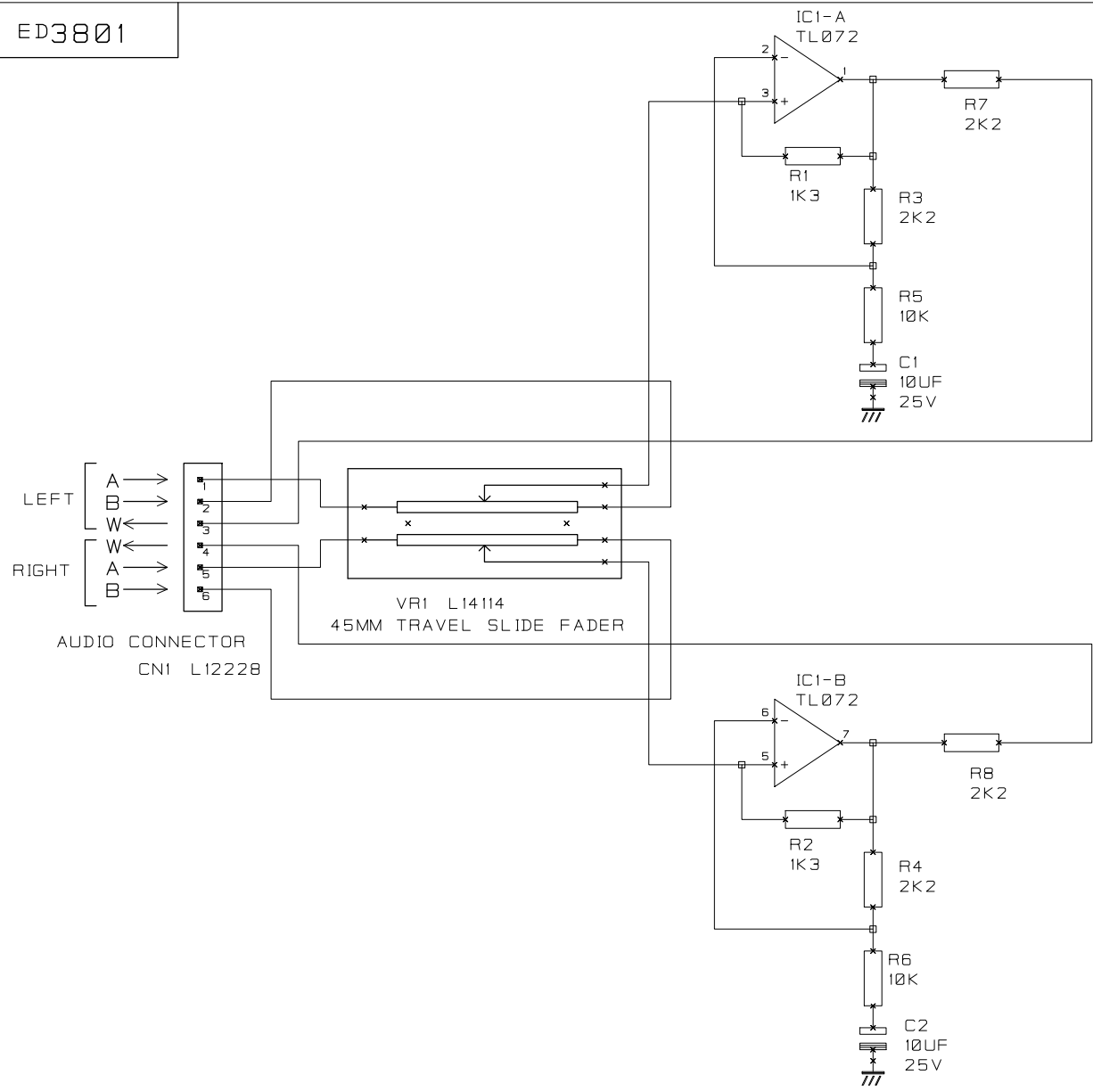
DRN. MFR

TITLE D-MIX500
MAIN PCB
METERS

DRG NO. ED3650F

DRG NO. ED3801

INITIAL	ISSUE	DATE
DCB	2	17/09/96



NOTES

DRN.

TITLE DMIX500 ACTIVE CROSS FADER PCB

DRG NO. ED3801