

SPIRIT E SERIES

**TECHNICAL
MANUAL**



Spirit E Series

SAFETY GUIDE

Safety Symbol Guide	ii
Approvals and Notice	iii
Warranty	iv
Important Safety Instructions	v
Cautions	v
Warnings	vi

SAFETY SYMBOL GUIDE

For your own safety and to avoid invalidation of the warranty all text marked with these Symbols should be read carefully.



CAUTIONS

Must be followed carefully to avoid bodily injury.



WARNINGS

Must be observed to avoid damage to your equipment.



NOTES

Contain important information and useful tips on the operation of your equipment.



IMPORTANT

Please read this manual carefully before connecting your Interface to the mains for the first time.



© Harman International Industries Ltd. 2002

All rights reserved

Parts of the design of this product may be protected by worldwide patents.

Part No. ZM0264

Issue 1

Soundcraft is a trading division of Harman International Industries Ltd. Information in this manual is subject to change without notice and does not represent a commitment on the part of the vendor. Soundcraft shall not be liable for loss or damage whatsoever arising from the use of information or any error contained in this manual.

No part of this manual may be reproduced, stored in a retrieval system, or transmitted, in any form or by any means, electronic, electrical, mechanical, optical, chemical, including photocopying and recording, for any purpose without the express written permission of Soundcraft.



Harman International Industries Limited.

Cranborne House,

Cranborne Road,

Potters Bar,

Herts.,

EN6 3JN

UK

Tel: 01707 665000

Fax: 01707 660742



WARRANTY

- 1 **Soundcraft** uses trading divisions of Harman International Industries Ltd .

End User means the person who first puts the equipment into regular operation.

Dealer means the person other than Soundcraft (if any) from whom the End User purchased the Equipment, provided such a person is authorised for this purpose by Soundcraft or its accredited Distributor.

Equipment means the equipment supplied with this manual.

- 2 If within the period of twelve months from the date of delivery of the Equipment to the End User it shall prove defective by reason only of faulty materials and/or workmanship to such an extent that the effectiveness and/or usability thereof is materially affected the Equipment or the defective component should be returned to the Dealer or to Soundcraft and subject to the following conditions the Dealer or Soundcraft will repair or replace the defective components. Any components replaced will become the property of Soundcraft.
- 3 Any Equipment or component returned will be at the risk of the End User whilst in transit (both to and from the Dealer or Soundcraft) and postage must be prepaid.
- 4 This warranty shall only be valid if:
 - a) the Equipment has been properly installed in accordance with instructions contained in Soundcraft's manual; and
 - b) the End User has notified Soundcraft or the Dealer within 14 days of the defect appearing; and
 - c) no persons other than authorised representatives of Soundcraft or the Dealer have effected any replacement of parts maintenance adjustments or repairs to the Equipment; and
 - d) the End User has used the Equipment only for such purposes as Soundcraft recommends, with only such operating supplies as meet Soundcraft's specifications and otherwise in all respects in accordance to Soundcraft's recommendations.
- 5 Defects arising as a result of the following are not covered by this Warranty: faulty or negligent handling, chemical or electro-chemical or electrical influences, accidental damage, Acts of God, neglect, deficiency in electrical power, air-conditioning or humidity control.
- 6 The benefit of this Warranty may not be assigned by the End User.
- 7 End Users who are consumers should note their rights under this Warranty are in addition to and do not affect any other rights to which they may be entitled against the seller of the Equipment.



IMPORTANT SAFETY INSTRUCTIONS

CAUTIONS

To avoid the risk of fire, replace the mains fuse only with the correct type and value fuse, as marked on the rear panel.

ATTENTION:- Afin de réduire le risque de feu remplacer seulement avec fusible de même type.

REPLACING MAINS FUSE

Switch the ON/OFF switch to the OFF position. Remove the mains lead from the connector.

Use a small screwdriver to prise the fuse carrier from its location in the connector.

Check the fuse and replace if necessary; also check that the voltage selection is correct for the mains supply level before switching the unit ON again.

If the mains fuse fails repeatedly this may be because an electrical safety hazard exists. The unit must be taken out of service and referred to the Soundcraft/Spirit dealer from where the equipment was purchased.

THIS UNIT MUST BE EARTHED

Under no circumstances should the mains earth be disconnected from the mains lead.

ATTENTION:-Cet appareil doit être branché à la terre.

The wires in the mains lead are coloured in accordance with the following code:

Earth: Green and Yellow (Green/Yellow - US)

Neutral: Blue (White - US)

Live: Brown (Black - US)

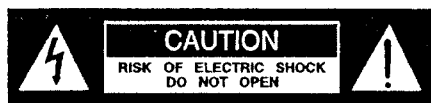
As the colours of the wires in the mains lead may not correspond with the coloured markings identifying the terminals in your plug, proceed as follows:

The wire which is coloured Green and Yellow must be connected to the terminal in the plug which is marked with the letter E or by the earth symbol.

The wire which is coloured Blue must be connected to the terminal in the plug which is marked with the letter N.

The wire which is coloured Brown must be connected to the terminal in the plug which is marked with the letter L.

Ensure that these colour codings are followed carefully in the event of the plug being changed.



AVIS: RISQUE DE CHOC ELECTRIQUE
- NE PAS OUVRIR

This unit is capable of operating over a range of mains voltages as marked on the rear panel. It is important to ensure that the correct mains fuse is fitted before switching on the unit.



WARNINGS

Read these instructions.

Keep these instructions.

Heed all warnings.

Follow all instructions.

This unit contains no user serviceable parts. Refer all servicing to a qualified service engineer, through the appropriate Soundcraft dealer.

Do not use this apparatus near water.

Clean only with a damp cloth.

Do not block any of the ventilation openings. Install in accordance with the manufacturers instructions.

Do not install near any heat sources such as radiators, heat resistors, stoves, or other apparatus (including amplifiers) that produce heat.

Do not defeat the safety purpose of the polarized or grounding-type plug. A polarized plug has two blades with one wider than the other. A grounding type plug has two blades and a third grounding prong. The wide blade or the third prong are provided for your safety when the provided plug does not fit into your outlet, consult an electrician for replacement of the obsolete outlet.

Protect the power cord from being walked on or pinched particularly at plugs, convenience receptacles and the point where they exit from the apparatus.

Only use attachments/accessories specified by the manufacturer.

Unplug this apparatus during lightning storms or when unused for long periods of time.

Refer all servicing to qualified service personnel. Servicing is required when the apparatus has been damaged in any way such as power-supply cord or plug is damaged., liquid has been spilled or objects have fallen into the apparatus, the apparatus has been exposed to rain or moisture, does not operate normally or has been dropped.

It is recommended that all maintenance and service on the product should be carried out by Soundcraft or its authorised agents. Soundcraft cannot accept any liability whatsoever for any loss or damage caused by service, maintenance or repair by unauthorised personnel.

Use only with a cart, stand, hood, bracket or table specified by the manufacturer or sold with the apparatus. When a cart is used, use caution when moving the cart apparatus combination to avoid injury from tip-over.



**THIS TECHNICAL MANUAL FOR THE SPIRIT E SERIES
IS INTENDED TO BE READ IN CONJUNCTION WITH
THE SPIRIT E SERIES USER GUIDE,
PART NUMBER ZM0261 (E6/8/12) OR ZM0262 (ES).**

SPIRIT E SERIES

CONTENTS

User Guide

Circuit Diagrams & PCB Layouts1.1

Spare Parts2.1

SPIRIT E SERIES

1

CIRCUIT DIAGRAMS & PCB LAYOUTS

Contents

E6 Mixer			
S2000AS-02a	E6 schematics	1.3 - 1.12	
	E6 pcb layout	1.13	
E8 Mixer			
S2001AS-02a	E8 schematics	1.14 - 1.25	
	E8 pcb layout	1.26	
E12 Mixer			
S2002AS-04a	E12 schematics	1.27 - 1.42	
	E12 pcb layout	1.43	
ES Mixer			
S2003AS-02a	ES schematics	1.44 - 1.59	
	ES pcb layout	1.60	

DRAWING NUMBER ISSUE
S-S2006AS-05A

HARMAN INTERNATIONAL
 INDUSTRIES LIMITED
 CRANBORNE HOUSE
 CRANBORNE ROAD
 POTTERS BAR
 MIDDLESEX
 ENGLAND
 Tel 01707 660667
 Fax 01707 660755

Soundcraft

TITLE: E SERIES POWER SUPPLY
 CIRCUIT DIAGRAM

SHEET 1 OF 1
 FILENAME: S-S2006AS-05A.SCH

DRAWN: BSV

DATE: 30/10/01

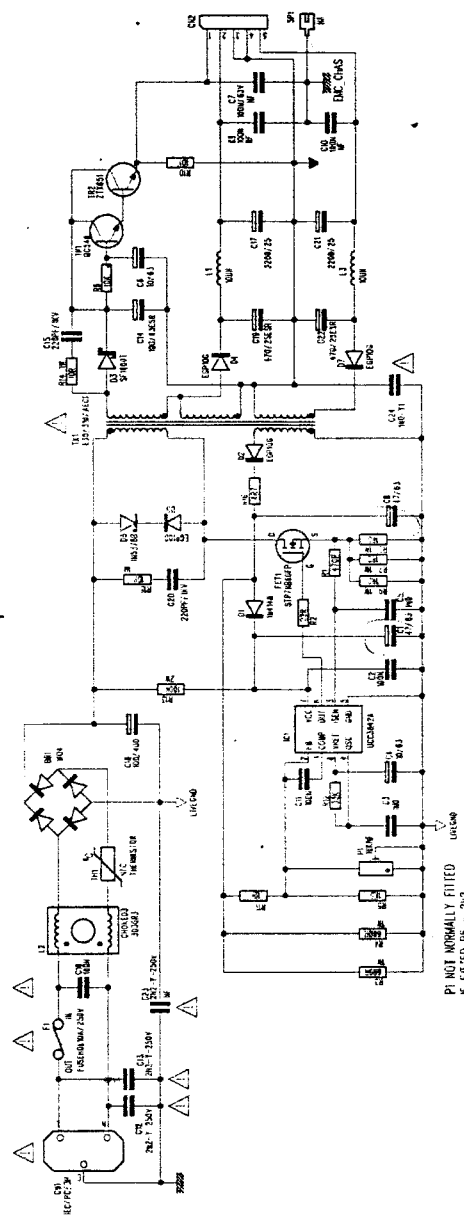
CHECKED:

MATERIAL:

FINISH:

ISSUE COMMENTS:

1. PROTOTYPE RELEASE 31/10/01
2. PRE-PRODUCTION RELEASE 04/01/02
3. ECN0582 11/04/02
- 3A. ECN0603 27/08/02
4. ECN0610 13/09/02
- 4A. ECN0613 26/09/02
5. ECN0614 01/10/02
- 5A. ECN0664 20/02/03



PRINT NORMALLY FITTED
 IF FITTED NO = 2x2

✓ 48V
 2 + 1 +
 2/14 SMD
 5 - 1 +

n/c

THIS DRAWING IS THE PROPERTY OF HARMAN INTERNATIONAL INDUSTRIES LTD. ALL REPRODUCTION AND COPYING THAT FOR LICENSEE MANUFACTURERS OWN INTERNAL USE, OR DISCLOSURE IN PART OR WHOLE TO A THIRD PARTY WITHOUT PRIOR WRITTEN AUTHORIZATION IS IN VIOLATION OF THE COPYRIGHT.

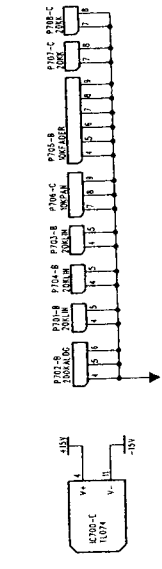
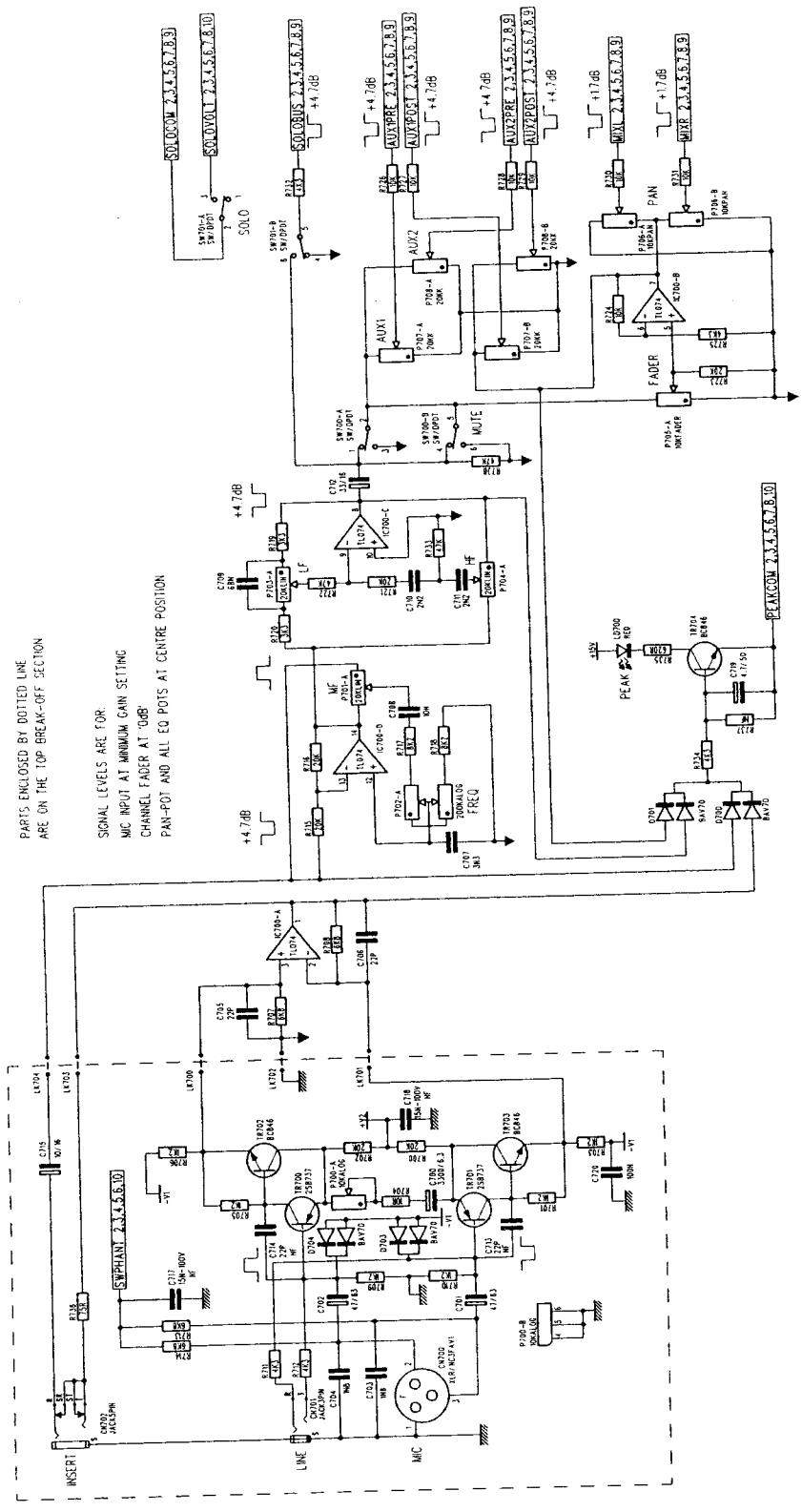
DRAWING NUMBER ISSUE
 S-S2000AS-02A

Soundcraft
 A DIVISION OF HARMAN INTERNATIONAL INDUSTRIES LIMITED
 EXPANSION HOUSE
 100 WHITEHOUSE
 EN. 3.N. *** 01302 605000
 FAX *** 01302 604000

TITLE: E6 MIXER
 SHEET NO.
 FILENAME: S-S2000AS-02A.SCH
 DRAWN: AC
 DATE: 20/01/02
 CHECKED:
 MATERIAL:
 FINISH:

ISSUE COMMENTS:
 1. PROTOTYPE RELEASE 29/01/01
 2. PRODUCTION RELEASE 08/07/02
 2A. ECN0619 22/10/02

PROPERTY OF THE COPYRIGHT OF THIS DRAWING
 IS RESERVED AND NOT TO BE COPIED, REPRODUCED OR DISCLOSED
 IN PART OR WHOLE TO A THIRD PARTY WITHOUT PRIOR WRITTEN PERMISSION
 ©SOUNDCRAFT, A DIVISION OF HARMAN INTERNATIONAL INDUSTRIES LIMITED



DRAWING NUMBER
S-S2000AS-02A

ISSUE
02A

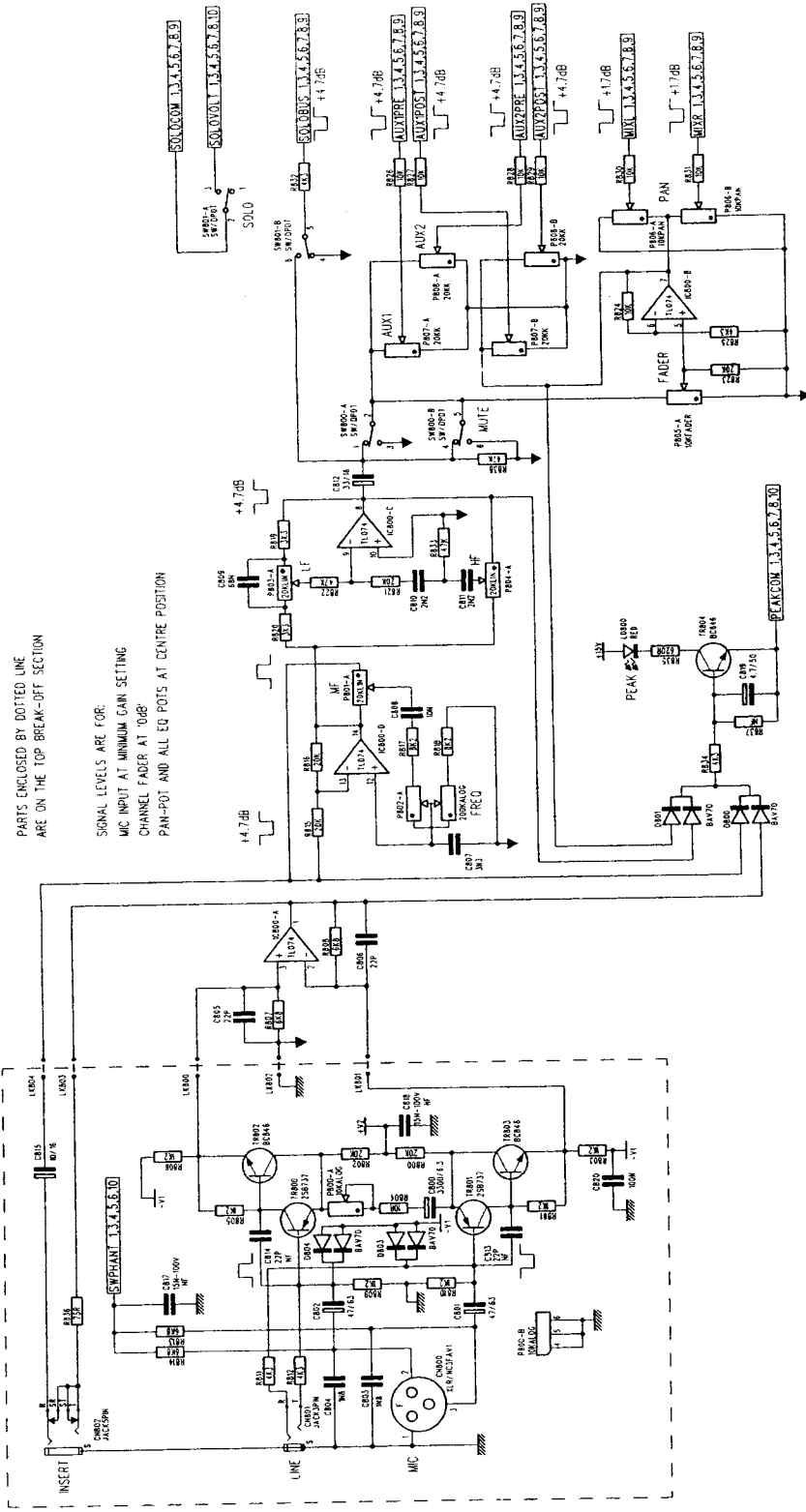
Soundcraft
A DIVISION OF HARMAN INTERNATIONAL INDUSTRIES LIMITED
10000 DEER PARK DRIVE
GREENWICH, CT 06860
TEL: 203-426-7100
FAX: 203-426-7101

TITLE: E6 MIXER
SHEET 2 OF 2
FILENAME: S-S2000AS-02A.SCH
DRAWN: AC
DATE: 20/01/02
CHECKED:

MATERIAL:

FINISH:

ISSUE COMMENTS:



DRAWING NUMBER ISSUE
 S-S2000AS-02A



A DIVISION OF MURKIN INTERNATIONAL INDUSTRIES LIMITED
 2, LANGRISH ROAD
 CHANNING ROAD
 POTTERS BAR
 HERTFORDSHIRE
 U.K. TEL: 44 (0)107 665000
 FAX: 44 (0)107 660482

TITLE: E6 MIXER

FILENAME: S-S2000AS-02A.SCH

DRAWN: AC

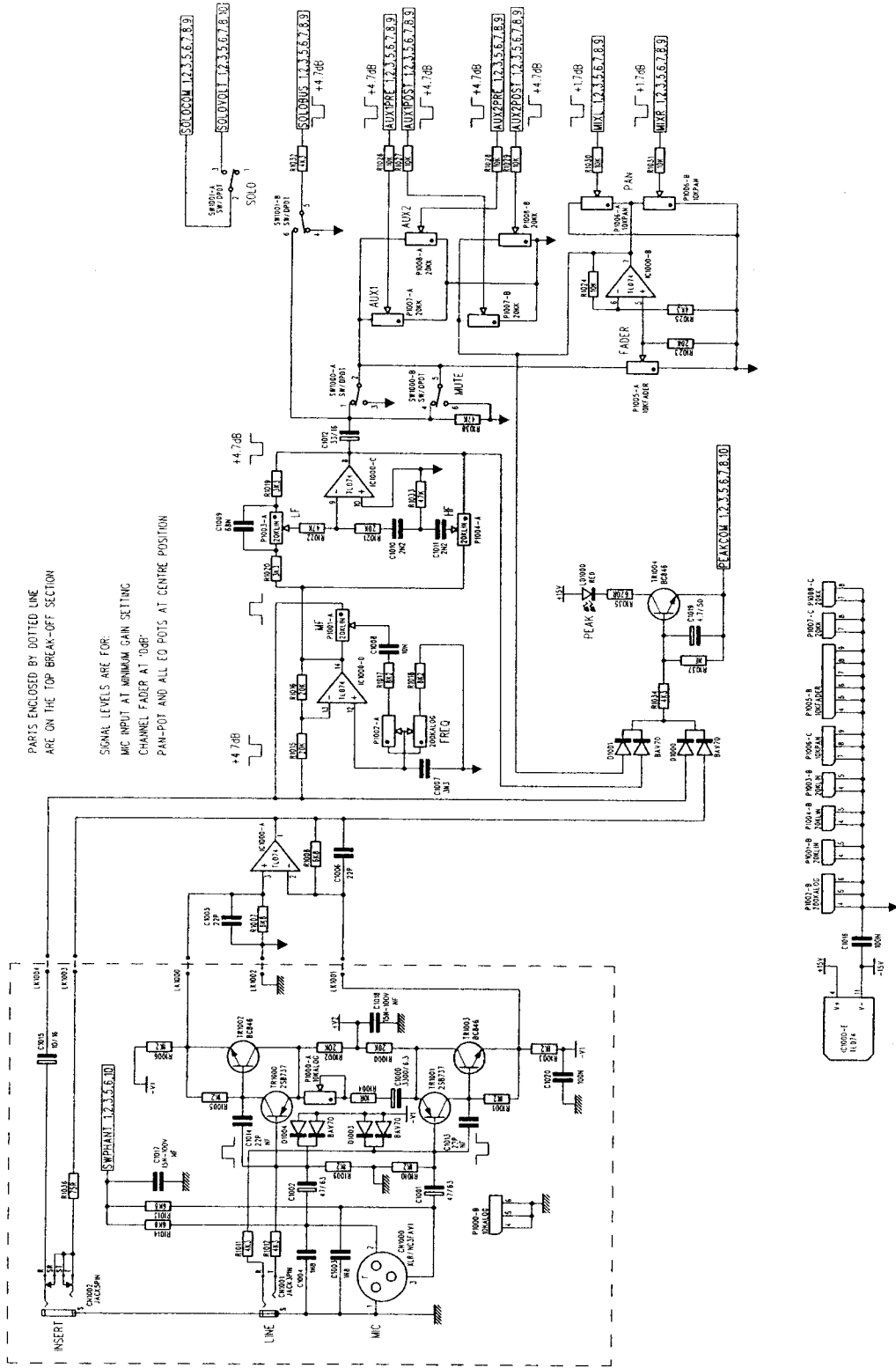
DATE: 20/01/02

CHECKED:

MATERIAL:

FINISH:

ISSUE COMMENTS:



PARTS ENCLOSED BY DOTTED LINE
 ARE ON THE TOP BREAK-OFF SECTION

SIGNAL LEVELS ARE FOR:
 MIC INPUT AT MINIMUM GAIN SETTING
 CHANNEL FADER AT '0dB'

PAN-POT AND ALL EQ POTS AT CENTRE POSITION

SCHEMATIC IS THE COPYRIGHT OF THIS MAKING
 WHICH IS NOT TO BE COPIED, REPRODUCED OR DISCLOSED
 WITHOUT THE WRITTEN PERMISSION OF MURKIN INTERNATIONAL INDUSTRIES LIMITED

DRAWING NUMBER ISSUE
 S-S2000AS-02A

Soundcraft
 A DIVISION OF HARMAN INTERNATIONAL INDUSTRIES LIMITED
 1000 WEST 17TH AVENUE
 CANNONHOLE ROAD
 ROTTERDAM
 REP: HEDERSON
 FNS: JMW 01107 65000
 FLS: 44 01707 66042

TITLE: E6 MIXER

FILENAME: S-S2000AS-02A.SCH

DRAWN: AC

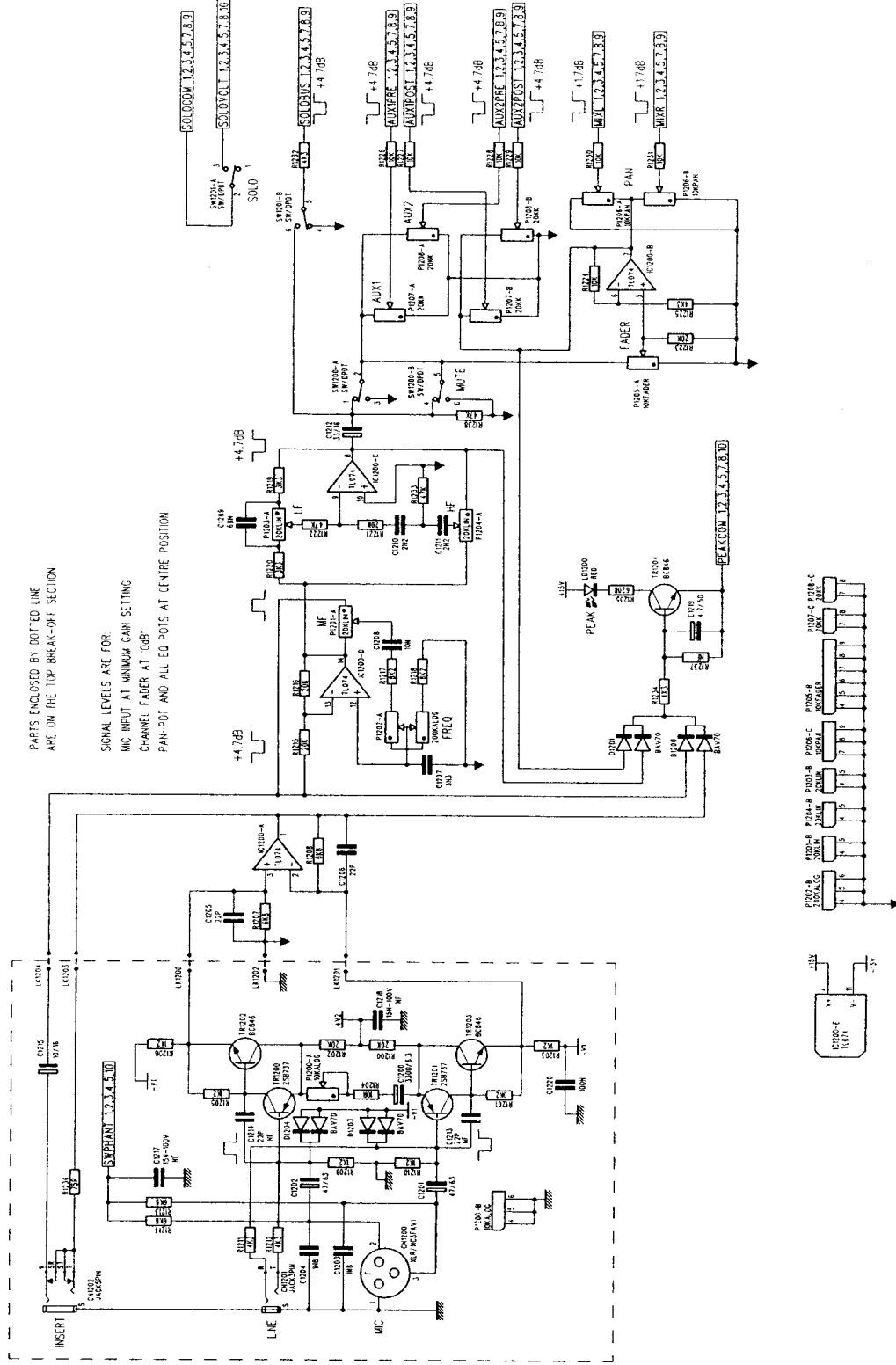
DATE: 20/01/02

CHECKED:

MATERIAL:

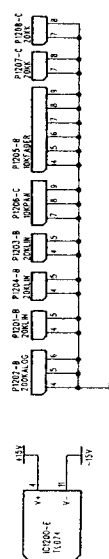
FINISH:

ISSUE COMMENTS:



PARTS ENCLOSED BY DOTTED LINE
 ARE ON THE TOP BREAK-OFF SECTION

SIGNAL LEVELS ARE FOR
 MIC INPUT AT MINIMUM GAIN SETTING
 CHANNEL FADER AT '00B'
 PAN-POT AND ALL EQ POT'S AT CENTRE POSITION



SOUNDRAFT ORN INC. COPYRIGHT © 1982. THIS DRAWING
 WHICH IS NOT TO BE COPIED, REPRODUCED OR DISCLOSED
 IN PART OR WHOLE TO A THIRD PARTY WITHOUT WRITTEN PERMISSION
 ©SOUNDRAFT, A DIVISION OF HARMAN INTERNATIONAL INDUSTRIES LIMITED

DRAWING NUMBER ISSUE
S-S2000AS-02A



A DIVISION OF HARMAN INTERNATIONAL INDUSTRIES LIMITED
 10000 WEST 16TH AVENUE
 DENVER, COLORADO 80202
 PHONE: 303.750.0000
 FAX: 303.750.0000

TITLE: E6 MIXER

FILENAME: S-S2000AS-02A.SCH

DRAWN: AC

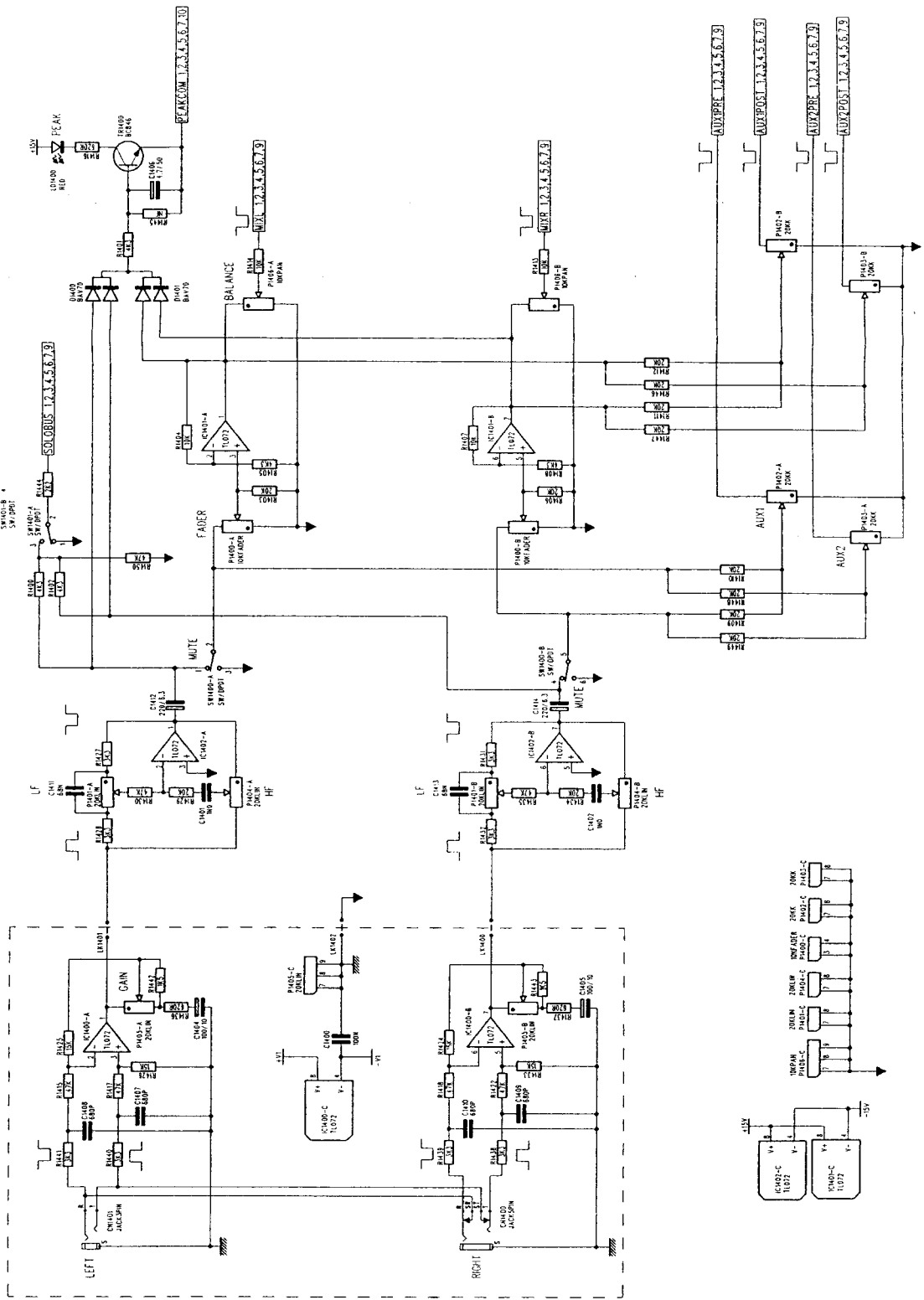
DATE: 20/01/02

CHECKED:

MATERIAL:

FINISH:

ISSUE COMMENTS:



COMMENTS: THE COPYRIGHT OF THIS DRAWING
 WHICH IS NOT TO BE COPIED, REPRODUCED OR DISCLOSED
 IN PART OR WHOLE TO A THIRD PARTY WITHOUT PRIOR WRITTEN PERMISSION
 ©SOUNDCRAFT, A DIVISION OF HARMAN INTERNATIONAL INDUSTRIES LIMITED

DRAWING NUMBER: S-S2000AS-02A
 ISSUE

Soundcraft
 SOUND CRAFT INTERNATIONAL INDUSTRIES LIMITED
 PO BOX 100
 CHAMPBINE ROAD
 POITERS BANK
 LEICESTERSHIRE
 LE12 7JG
 TEL: 0454 010707 665900
 FAX: 0454 010707 650482

TITLE: E6 MIXER

FILENAME: S-S2000AS-02A.SCH

DRAWN: AC

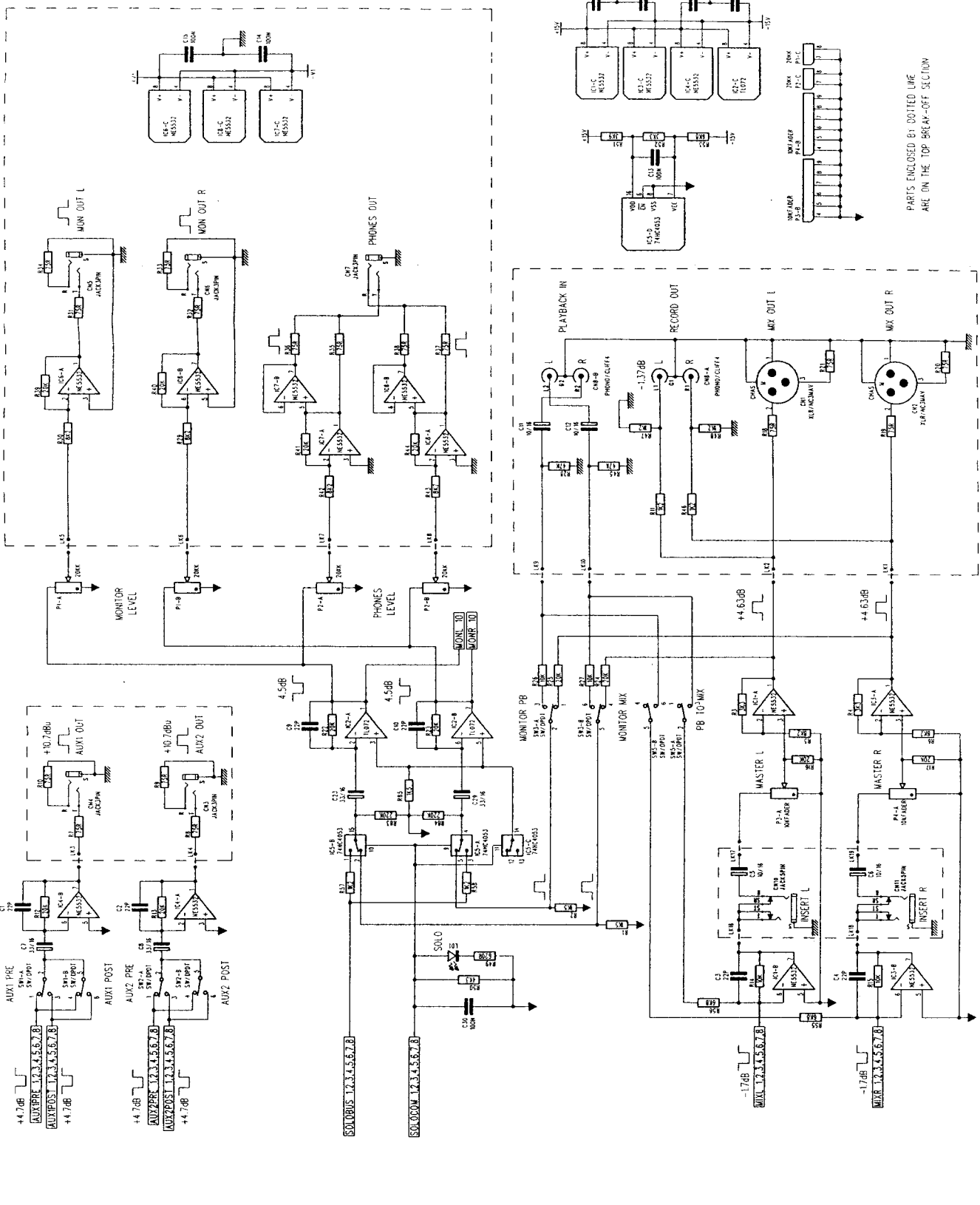
DATE: 20/01/02

CHECKED:

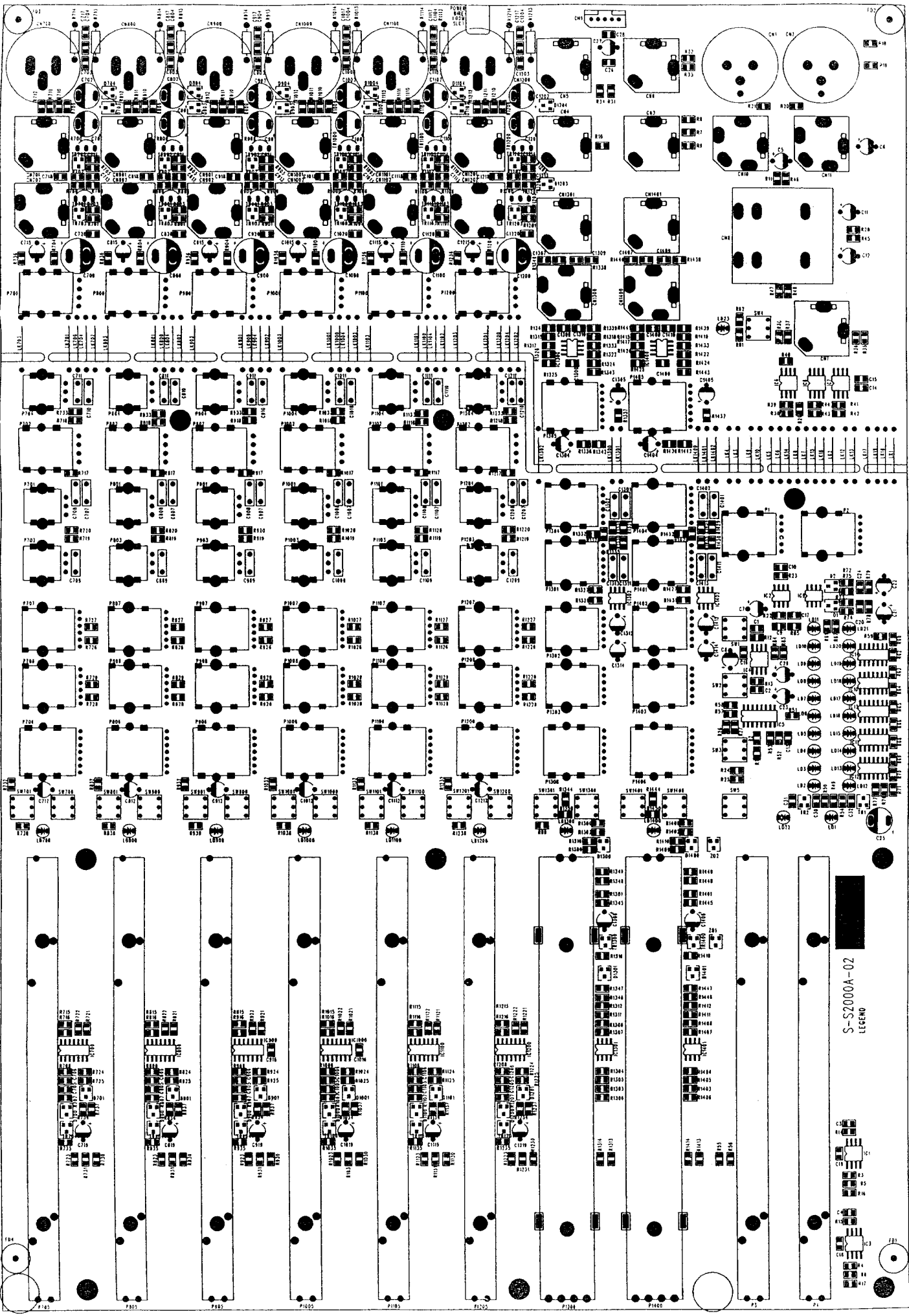
MATERIAL:

FINISH:

ISSUE COMMENTS:



PARTS ENCLOSED BY DOTTED LINE ARE ON THE TOP BREAK-OFF SECTION



MAIN ASSEMBLIES

SPIRIT E6 CONSOLE

Ident	Description	Part Number
---	W\FORM 2MM 5 WY.CRIMP\CRIMP	L-S2006A-01
---	BASE PANEL - SPIRIT E6	P-S2000A-01
---	FRONT PANEL - SPIRIT E6	P-S2000B-02
---	FRONT PANEL EXTRUSION CUT E6	P-S2000C-01
---	MOULDING LH - E SERIES	P-S2006A-04
---	MOULDING RH E-SERIES	P-S2006B-04
---	INSULATOR PSU SHIELD	P-S2006E-02
---	LABEL - IEC TYPE	P-S2006F-01
---	RUBBER FOOT EXTRUSION	P-S2006G-02
---	E6 MAIN PCB ASSY.	R-S2000A-02-AF
---	E SERIES PSU	R-S2006A-03-AF
---	CARTON FOR E6 UNIT	T-S2000A-01
---	CABLE FITTING-E6 SERIES	T-S2000B-02
---	CARTON FOR SHIPPING E6-3UP	T-S2000C-01
---	ENDCAP FRONT-LH E SERIES	T-S2006A-02
---	ENDCAP FRONT-RH E SERIES	T-S2006B-02
---	ENDCAP REAR-LH E SERIES	T-S2006C-02
---	ENDCAP REAR-RH E SERIES	T-S2006D-02
---	POLY BAG 200G - 24X30	TZ2440
---	STICKER - SAFETY EARTH XT03-	ZA10004
---	(Safety Critical Part)! FOLIO SER NO/B/CDE LBL SET CE	ZA8013
---	(Safety Critical Part)! 5X20MM T1A/250V AS FUSE	ZD8101
---	SPIRIT E6\8\12 USER GUIDE	ZM0261-03

SPIRIT E8 CONSOLE

Ident	Description	Part Number
---	W\FORM 2MM 5 WY.CRIMP\CRIMP	L-S2006A-01
---	BASE PANEL - SPIRIT E8	P-S2001A-01
---	FRONT PANEL - SPIRIT E8	P-S2001B-01
---	FRONT EXTRUSION CUT-E8	P-S2001C-01
---	MOULDING LH - E SERIES	P-S2006A-04
---	MOULDING RH E-SERIES	P-S2006B-04
---	INSULATOR PSU SHIELD	P-S2006E-02
---	LABEL - IEC TYPE	P-S2006F-01
---	RUBBER FOOT EXTRUSION	P-S2006G-02
---	E8 MAIN PCB ASSY.	R-S2001A-02-AF
---	E SERIES PSU	R-S2006A-03-AF
---	CARTON E8 SERIES	T-S2001A-01
---	CABLE FITTING-E8 SERIES	T-S2001B-02
---	CARTON FOR SHIPPING E8 3UP	T-S2001C-01
---	ENDCAP FRONT-LH E SERIES	T-S2006A-02
---	ENDCAP FRONT-RH E SERIES	T-S2006B-02
---	ENDCAP REAR-LH E SERIES	T-S2006C-02
---	ENDCAP REAR-RH E SERIES	T-S2006D-02
---	POLY BAG 200G - 24X30	TZ2440
---	STICKER - SAFETY EARTH XT03-	ZA10004
---	(Safety Critical Part)! FOLIO SER NO/B/CDE LBL SET CE	ZA8013
---	(Safety Critical Part)! 5X20MM T1A/250V AS FUSE	ZD8101
---	SPIRIT E6\8\12 USER GUIDE	ZM0261-03

SPIRIT E12 CNSOLE

Ident	Description	Part Number
---	CARTON-E12 SERIES	T-S2002A-01
---	CABLE FITTING-E12/14 SERIES	T-S2002E-02
---	CARTON FOR SHIPPING E12 3UP	T-S2002C-01
---	ENDCAP FRONT-LH E SERIES	T-S2006A-02
---	ENDCAP FRONT-RH E SERIES	T-S2006B-02
---	ENDCAP REAR-LH E SERIES	T-S2006C-02
---	ENDCAP REAR-RH E SERIES	T-S2006D-02
---	POLY BAG 200G - 24X30	TZ2440
---	(Safety Critical Part)! FOLIO SER NO/B/CDE LBL SET CE	ZA8013
---	SPIRIT E6\8\12 USER GUIDE	ZM0261-03
---	BASE PANEL - SPIRIT E12	P-S2002A-05

---	FRONT PANEL - SPIRIT E12	P-S2002B-03
---	FRONT EXTRUSION CUT - E12	P-S2002C-01
---	MOULDING LH - E SERIES	P-S2006A-04
---	MOULDING RH E-SERIES	P-S2006B-04
---	INSULATOR PSU SHIELD	P-S2006E-02
---	LABEL - IEC TYPE	P-S2006F-01
---	RUBBER FOOT EXTRUSION	P-S2006G-02
---	E12 MAIN PCB ASSY.	R-S2002A-04-AF
---	E SERIES PSU	R-S2006A-03-AF
---	STICKER - SAFETY EARTH XT03-	ZA10004
---	(Safety Critical Part)! 5X20MM T1A/250V AS FUSE	ZD8101
Wire	W\FORM 2MM 5 WY.CRIMP\CRIMP	L-S2006A-01

SPIRIT ES CONSOLE

Ident	Description	Part Number
---	W\FORM 2MM 5 WY.CRIMP\CRIMP	L-S2006A-01
---	BASE PANEL - SPIRIT E12	P-S2002A-05
---	FRONT EXTRUSION CUT - E12	P-S2002C-01
---	FRONT PANEL - SPIRIT ES	P-S2003A-02
---	MOULDING LH - E SERIES	P-S2006A-04
---	MOULDING RH E-SERIES	P-S2006B-04
---	INSULATOR PSU SHIELD	P-S2006E-02
---	LABEL - IEC TYPE	P-S2006F-01
---	RUBBER FOOT EXTRUSION	P-S2006G-02
---	ES MAIN PCB ASSY.	R-S2003A-02-AF
---	E SERIES PSU	R-S2006A-03-AF
---	CABLE FITTING-E12/14 SERIES	T-S2002B-02
---	CARTON FOR SHIPPING E12 3UP	T-S2002C-01
---	CARTON ES SERIES	T-S2003A-01
---	ENDCAP FRONT-LH E SERIES	T-S2006A-02
---	ENDCAP FRONT-RH E SERIES	T-S2006B-02
---	ENDCAP REAR-LH E SERIES	T-S2006C-02
---	ENDCAP REAR-RH E SERIES	T-S2006D-02
---	POLY BAG 200G - 24X30	TZ2440
---	STICKER - SAFETY EARTH XT03-	ZA10004
---	(Safety Critical Part)! FOLIO SER NO/B/CDE LBL SET CE	ZA8013
---	(Safety Critical Part)! 5X20MM T1A/250V AS FUSE	ZD8101
---	SPIRIT ES USER GUIDE	ZM0264-01

RW5653

SWITCH TOPS, FADER TOPS AND KNOBS

Description	Part Number	Used in (part number)
11MM FDR KNOB DK BL W/WHT LINE	KA0406	RW5650, RW5651, RW5652, RW5653
11MM FDR KNOB YL W/BLK LINE	KA0407	RW5650, RW5651, RW5652, RW5653
ELIPT SW-CP RED PANTONE 201C	KB2328	RW5650, RW5651, RW5652, RW5653
FOLIO SX ELIP BNK SWT CAP GREY	KB2057	RW5650, RW5651, RW5652, RW5653
KNOB 11MM FDR BLK W/WHT LINE	KA0424	RW5650, RW5651, RW5652, RW5653
KNOB-REAN P930-LIGHT BLUE	KA0425	RW5650, RW5651, RW5652, RW5653
KNOB-REAN P930-BLACK	KA0404	RW5650, RW5651, RW5652, RW5653
KNOB-REAN P930-GREY	KA0399	RW5650, RW5651, RW5652, RW5653
KNOB-REAN P930-RED	KA0400	RW5650, RW5651, RW5652, RW5653
KNOB-REAN P930-YELLOW	KA0403	RW5650, RW5651, RW5652, RW5653
M8 ELLISPE CAP L/GRY 70654	KB2266	RW5650, RW5651, RW5652, RW5653

FADERS

Description

ALPS 100MM 10KDX2 PC MNT+DC

ALPS 100MM M/FDR SPT+DC+ETS+WB

Part Number

DD0441

DD0458

Used in: (part number)

R-S2000A-02-AF, R-S2001A-02-AF, R-S2002A-04-AF, R-S2003A-02-AF

R-S2000A-02-AF, R-S2001A-02-AF, R-S2002A-04-AF, R-S2003A-02-AF

MODULES AND FRAME PCBS

E6 MAIN PCB ASSY.

Ident	Description	Part Number
---	E6 MAIN PCB ASSY.	R-S2000A-02-SM
C5	VERT ELEC SSP 10UF/16V	CE0448
C6	VERT ELEC SSP 10UF/16V	CE0448
C7	VERT ELEC 33UF/16V SSP	CE0457
C8	VERT ELEC 33UF/16V SSP	CE0457
C11	VERT ELEC SSP 10UF/16V	CE0448
C12	VERT ELEC SSP 10UF/16V	CE0448
C21	VERT ELEC SSP 10UF/16V	CE0448
C22	VERT ELEC SSP 10UF/16V	CE0448
C23	VERT ELEC 33UF/16V SSP	CE0457
C25	VERT ELEC 0.2" 47UF 63V SKP	CE0402
C27	VERT ELEC 10UF/63V 5X11MMSKP	CE0462
C29	VERT ELEC 33UF/16V SSP	CE0457
C700	CAP ELEC 3300UF 6.3V SMR	CE10044
C701	VERT ELEC 0.2" 47UF 63V SKP	CE0402
C702	VERT ELEC 0.2" 47UF 63V SKP	CE0402
C707	MICRO-BOX 5MM 5% 63V 3N3	CC0241
C708	MICRO-BOX 5MM 5% 63V 10N	CC0244
C709	MICRO-BOX 5MM 5% 63V 68N	CC0249
C710	MICRO-BOX 5MM 5% 63V 2N2	CC0240
C711	MICRO-BOX 5MM 5% 63V 2N2	CC0240
C712	VERT ELEC 33UF/16V SSP	CE0457
C715	VERT ELEC SSP 10UF/16V	CE0448
C719	VERT ELECT 4.7UF 50V SKP	CE0440
C800	CAP ELEC 3300UF 6.3V SMR	CE10044
C801	VERT ELEC 0.2" 47UF 63V SKP	CE0402
C802	VERT ELEC 0.2" 47UF 63V SKP	CE0402
C807	MICRO-BOX 5MM 5% 63V 3N3	CC0241
C808	MICRO-BOX 5MM 5% 63V 10N	CC0244
C809	MICRO-BOX 5MM 5% 63V 68N	CC0249
C810	MICRO-BOX 5MM 5% 63V 2N2	CC0240
C811	MICRO-BOX 5MM 5% 63V 2N2	CC0240
C812	VERT ELEC 33UF/16V SSP	CE0457
C815	VERT ELEC SSP 10UF/16V	CE0448
C819	VERT ELECT 4.7UF 50V SKP	CE0440
C900	CAP ELEC 3300UF 6.3V SMR	CE10044
C901	VERT ELEC 0.2" 47UF 63V SKP	CE0402
C902	VERT ELEC 0.2" 47UF 63V SKP	CE0402
C907	MICRO-BOX 5MM 5% 63V 3N3	CC0241
C908	MICRO-BOX 5MM 5% 63V 10N	CC0244
C909	MICRO-BOX 5MM 5% 63V 68N	CC0249
C910	MICRO-BOX 5MM 5% 63V 2N2	CC0240
C911	MICRO-BOX 5MM 5% 63V 2N2	CC0240
C912	VERT ELEC 33UF/16V SSP	CE0457
C915	VERT ELEC SSP 10UF/16V	CE0448
C919	VERT ELECT 4.7UF 50V SKP	CE0440
C1000	CAP ELEC 3300UF 6.3V SMR	CE10044
C1001	VERT ELEC 0.2" 47UF 63V SKP	CE0402
C1002	VERT ELEC 0.2" 47UF 63V SKP	CE0402
C1007	MICRO-BOX 5MM 5% 63V 3N3	CC0241
C1008	MICRO-BOX 5MM 5% 63V 10N	CC0244
C1009	MICRO-BOX 5MM 5% 63V 68N	CC0249
C1010	MICRO-BOX 5MM 5% 63V 2N2	CC0240
C1011	MICRO-BOX 5MM 5% 63V 2N2	CC0240
C1012	VERT ELEC 33UF/16V SSP	CE0457
C1015	VERT ELEC SSP 10UF/16V	CE0448
C1019	VERT ELECT 4.7UF 50V SKP	CE0440
C1100	CAP ELEC 3300UF 6.3V SMR	CE10044
C1101	VERT ELEC 0.2" 47UF 63V SKP	CE0402
C1102	VERT ELEC 0.2" 47UF 63V SKP	CE0402
C1107	MICRO-BOX 5MM 5% 63V 3N3	CC0241
C1108	MICRO-BOX 5MM 5% 63V 10N	CC0244
C1109	MICRO-BOX 5MM 5% 63V 68N	CC0249
C1110	MICRO-BOX 5MM 5% 63V 2N2	CC0240
C1111	MICRO-BOX 5MM 5% 63V 2N2	CC0240

R-S2000A-02-AF

C1112	VERT ELEC 33UF/16V SSP	CE0457
C1115	VERT ELEC SSP 10UF/16V	CE0448
C1119	VERT ELECT 4.7UF 50V SKP	CE0440
C1200	CAP ELEC 3300UF 6.3V SMR	CE10044
C1201	VERT ELEC 0.2" 47UF 63V SKP	CE0402
C1202	VERT ELEC 0.2" 47UF 63V SKP	CE0402
C1207	MICRO-BOX 5MM 5% 63V 3N3	CC0241
C1208	MICRO-BOX 5MM 5% 63V 10N	CC0244
C1209	MICRO-BOX 5MM 5% 63V 68N	CC0249
C1210	MICRO-BOX 5MM 5% 63V 2N2	CC0240
C1211	MICRO-BOX 5MM 5% 63V 2N2	CC0240
C1212	VERT ELEC 33UF/16V SSP	CE0457
C1215	VERT ELEC SSP 10UF/16V	CE0448
C1219	VERT ELECT 4.7UF 50V SKP	CE0440
C1301	MICRO-BOX 5MM 5% 63V 1N	CC0238
C1302	MICRO-BOX 5MM 5% 63V 1N	CC0238
C1304	VERT ELEC 0.2"TPD 100UF 10V SK	CE0403
C1305	VERT ELEC 0.2"TPD 100UF 10V SK	CE0403
C1306	VERT ELECT 4.7UF 50V SKP	CE0440
C1311	MICRO-BOX 5MM 5% 63V 68N	CC0249
C1312	CAP ELEC 220UF 6.3V SVP	CE10045
C1313	MICRO-BOX 5MM 5% 63V 68N	CC0249
C1314	CAP ELEC 220UF 6.3V SVP	CE10045
C1401	MICRO-BOX 5MM 5% 63V 1N	CC0238
C1402	MICRO-BOX 5MM 5% 63V 1N	CC0238
C1404	VERT ELEC 0.2"TPD 100UF 10V SK	CE0403
C1405	VERT ELEC 0.2"TPD 100UF 10V SK	CE0403
C1406	VERT ELECT 4.7UF 50V SKP	CE0440
C1411	MICRO-BOX 5MM 5% 63V 68N	CC0249
C1412	CAP ELEC 220UF 6.3V SVP	CE10045
C1413	MICRO-BOX 5MM 5% 63V 68N	CC0249
C1414	CAP ELEC 220UF 6.3V SVP	CE10045
CN1	XLR A-SRS PLASTIC ML PIN1 GND	FK0970
CN2	XLR A-SRS PLASTIC ML PIN1 GND	FK0970
CN3	JACK SKT STEREO 3PIN LIH SHENG	FH0792
CN4	JACK SKT STEREO 3PIN LIH SHENG	FH0792
CN5	JACK SKT STEREO 3PIN LIH SHENG	FH0792
CN6	JACK SKT STEREO 3PIN LIH SHENG	FH0792
CN7	JACK SKT STEREO 3PIN LIH SHENG	FH0792
CN8	QUAD PC PHONO SKT PHS12D	FH0755
CN9	2MM 5WY VERT ML HDR CHINA	FF10097
CN10	JACK SKT STEREO 5PIN LIH SHENG	FH0793
CN11	JACK SKT STEREO 5PIN LIH SHENG	FH0793
CN700	XLR CON FML VERT	FK0967
CN701	JACK SKT STEREO 3PIN LIH SHENG	FH0792
CN702	JACK SKT STEREO 5PIN LIH SHENG	FH0793
CN800	XLR CON FML VERT	FK0967
CN801	JACK SKT STEREO 3PIN LIH SHENG	FH0792
CN802	JACK SKT STEREO 5PIN LIH SHENG	FH0793
CN900	XLR CON FML VERT	FK0967
CN901	JACK SKT STEREO 3PIN LIH SHENG	FH0792
CN902	JACK SKT STEREO 5PIN LIH SHENG	FH0793
CN1000	XLR CON FML VERT	FK0967
CN1001	JACK SKT STEREO 3PIN LIH SHENG	FH0792
CN1002	JACK SKT STEREO 5PIN LIH SHENG	FH0793
CN1100	XLR CON FML VERT	FK0967
CN1101	JACK SKT STEREO 3PIN LIH SHENG	FH0792
CN1102	JACK SKT STEREO 5PIN LIH SHENG	FH0793
CN1200	XLR CON FML VERT	FK0967
CN1201	JACK SKT STEREO 3PIN LIH SHENG	FH0792
CN1202	JACK SKT STEREO 5PIN LIH SHENG	FH0793
CN1300	JACK SKT STEREO 5PIN LIH SHENG	FH0793
CN1301	JACK SKT STEREO 3PIN LIH SHENG	FH0792
CN1400	JACK SKT STEREO 5PIN LIH SHENG	FH0793
CN1401	JACK SKT STEREO 3PIN LIH SHENG	FH0792
LD1	LED RED 3MM S/B UNPRE	JA0100
LD2	LED GREEN 3MM S/B UNPRE	JA0101
LD3	LED GREEN 3MM S/B UNPRE	JA0101
LD4	LED GREEN 3MM S/B UNPRE	JA0101
LD5	LED GREEN 3MM S/B UNPRE	JA0101
LD6	LED GREEN 3MM S/B UNPRE	JA0101
LD7	LED AMBER 3MM S/B UNPRE	JA0126
LD8	LED AMBER 3MM S/B UNPRE	JA0126

LD9	LED AMBER 3MM S/B UNPRE	JA0126
LD10	LED RED 3MM S/B UNPRE	JA0100
LD11	LED RED 3MM S/B UNPRE	JA0100
LD12	LED GREEN 3MM S/B UNPRE	JA0101
LD13	LED GREEN 3MM S/B UNPRE	JA0101
LD14	LED GREEN 3MM S/B UNPRE	JA0101
LD15	LED GREEN 3MM S/B UNPRE	JA0101
LD16	LED GREEN 3MM S/B UNPRE	JA0101
LD17	LED AMBER 3MM S/B UNPRE	JA0126
LD18	LED AMBER 3MM S/B UNPRE	JA0126
LD19	LED AMBER 3MM S/B UNPRE	JA0126
LD20	LED RED 3MM S/B UNPRE	JA0100
LD21	LED RED 3MM S/B UNPRE	JA0100
LD22	LED GREEN 3MM S/B UNPRE	JA0101
LD23	LED RED 3MM S/B UNPRE	JA0100
LD1000	LED RED 3MM S/B UNPRE	JA0100
LD1100	LED RED 3MM S/B UNPRE	JA0100
LD1200	LED RED 3MM S/B UNPRE	JA0100
LD1300	LED RED 3MM S/B UNPRE	JA0100
LD1400	LED RED 3MM S/B UNPRE	JA0100
LD700	LED RED 3MM S/B UNPRE	JA0100
LD800	LED RED 3MM S/B UNPRE	JA0100
LD900	LED RED 3MM S/B UNPRE	JA0100
P1	ALPS 12MM 20KK DUAL	DM1355
P2	ALPS 12MM 20KK DUAL	DM1355
P3	ALPS 100MM M/FDR SPT+DC+ETS+WB	DD0458
P4	ALPS 100MM M/FDR SPT+DC+ETS+WB	DD0458
P1000	ALPS 11MM 10K MIC LAW 37.5MM	DM1398
P1001	ALPS 9MM VRT SHRT-D 20KB CDCOL	DM1250
P1002	ALPS 11MM VERT 200KCX2 HIGH/D	DM1323
P1003	ALPS 9MM VRT SHRT-D 20KB CDCOL	DM1250
P1004	ALPS 9MM VRT SHRT-D 20KB CDCOL	DM1250
P1005	ALPS 100MM M/FDR SPT+DC+ETS+WB	DD0458
P1006	ALPS 14MM VERT 10KAC C/D DU HD	DM1322
P1007	ALPS 12MM 20KK DUAL	DM1355
P1008	ALPS 12MM 20KK DUAL	DM1355
P1100	ALPS 11MM 10K MIC LAW 37.5MM	DM1398
P1101	ALPS 9MM VRT SHRT-D 20KB CDCOL	DM1250
P1102	ALPS 11MM VERT 200KCX2 HIGH/D	DM1323
P1103	ALPS 9MM VRT SHRT-D 20KB CDCOL	DM1250
P1104	ALPS 9MM VRT SHRT-D 20KB CDCOL	DM1250
P1105	ALPS 100MM M/FDR SPT+DC+ETS+WB	DD0458
P1106	ALPS 14MM VERT 10KAC C/D DU HD	DM1322
P1107	ALPS 12MM 20KK DUAL	DM1355
P1108	ALPS 12MM 20KK DUAL	DM1355
P1200	ALPS 11MM 10K MIC LAW 37.5MM	DM1398
P1201	ALPS 9MM VRT SHRT-D 20KB CDCOL	DM1250
P1202	ALPS 11MM VERT 200KCX2 HIGH/D	DM1323
P1203	ALPS 9MM VRT SHRT-D 20KB CDCOL	DM1250
P1204	ALPS 9MM VRT SHRT-D 20KB CDCOL	DM1250
P1205	ALPS 100MM M/FDR SPT+DC+ETS+WB	DD0458
P1206	ALPS 14MM VERT 10KAC C/D DU HD	DM1322
P1207	ALPS 12MM 20KK DUAL	DM1355
P1208	ALPS 12MM 20KK DUAL	DM1355
P1300	ALPS 100MM 10KDX2 PC MNT+DC	DD0441
P1301	ALPS 12MM VERT 20KBX2	DM1380
P1302	ALPS 12MM 20KK DUAL	DM1355
P1303	ALPS 12MM 20KK DUAL	DM1355
P1304	ALPS 12MM VERT 20KBX2	DM1380
P1305	ALPS 14MM VERT 20KW2 37.5MM	DM1381
P1306	ALPS 14MM VERT 10KAC C/D DU HD	DM1322
P1400	ALPS 100MM 10KDX2 PC MNT+DC	DD0441
P1401	ALPS 12MM VERT 20KBX2	DM1380
P1402	ALPS 12MM 20KK DUAL	DM1355
P1403	ALPS 12MM 20KK DUAL	DM1355
P1404	ALPS 12MM VERT 20KBX2	DM1380
P1405	ALPS 14MM VERT 20KW2 37.5MM	DM1381
P1406	ALPS 14MM VERT 10KAC C/D DU HD	DM1322
P700	ALPS 11MM 10K MIC LAW 37.5MM	DM1398
P701	ALPS 9MM VRT SHRT-D 20KB CDCOL	DM1250
P702	ALPS 11MM VERT 200KCX2 HIGH/D	DM1323
P703	ALPS 9MM VRT SHRT-D 20KB CDCOL	DM1250
P704	ALPS 9MM VRT SHRT-D 20KB CDCOL	DM1250

P705	ALPS 100MM M/FDR SPT+DC+ETS+WB	DD0458
P706	ALPS 14MM VERT 10KAC C/D DU HD	DM1322
P707	ALPS 12MM 20KK DUAL	DM1355
P708	ALPS 12MM 20KK DUAL	DM1355
P800	ALPS 11MM 10K MIC LAW 37.5MM	DM1398
P801	ALPS 9MM VRT SHRT-D 20KB CDCOL	DM1250
P802	ALPS 11MM VERT 200KCX2 HIGH/D	DM1323
P803	ALPS 9MM VRT SHRT-D 20KB CDCOL	DM1250
P804	ALPS 9MM VRT SHRT-D 20KB CDCOL	DM1250
P805	ALPS 100MM M/FDR SPT+DC+ETS+WB	DD0458
P806	ALPS 14MM VERT 10KAC C/D DU HD	DM1322
P807	ALPS 12MM 20KK DUAL	DM1355
P808	ALPS 12MM 20KK DUAL	DM1355
P900	ALPS 11MM 10K MIC LAW 37.5MM	DM1398
P901	ALPS 9MM VRT SHRT-D 20KB CDCOL	DM1250
P902	ALPS 11MM VERT 200KCX2 HIGH/D	DM1323
P903	ALPS 9MM VRT SHRT-D 20KB CDCOL	DM1250
P904	ALPS 9MM VRT SHRT-D 20KB CDCOL	DM1250
P905	ALPS 100MM M/FDR SPT+DC+ETS+WB	DD0458
P906	ALPS 14MM VERT 10KAC C/D DU HD	DM1322
P907	ALPS 12MM 20KK DUAL	DM1355
P908	ALPS 12MM 20KK DUAL	DM1355
R713	MF 0.25W RES 1% 6K8 BL	AP1369
R714	MF 0.25W RES 1% 6K8 BL	AP1369
R813	MF 0.25W RES 1% 6K8 BL	AP1369
R814	MF 0.25W RES 1% 6K8 BL	AP1369
R913	MF 0.25W RES 1% 6K8 BL	AP1369
R914	MF 0.25W RES 1% 6K8 BL	AP1369
R1013	MF 0.25W RES 1% 6K8 BL	AP1369
R1014	MF 0.25W RES 1% 6K8 BL	AP1369
R1113	MF 0.25W RES 1% 6K8 BL	AP1369
R1114	MF 0.25W RES 1% 6K8 BL	AP1369
R1213	MF 0.25W RES 1% 6K8 BL	AP1369
R1214	MF 0.25W RES 1% 6K8 BL	AP1369
SW1	ALPS SWITCH L/TRAVEL VERT	DF0660
SW2	ALPS SWITCH L/TRAVEL VERT	DF0660
SW3	ALPS SWITCH L/TRAVEL VERT	DF0660
SW4	ALPS SWITCH L/TRAVEL VERT	DF0660
SW5	ALPS SWITCH L/TRAVEL VERT	DF0660
SW1000	ALPS SWITCH L/TRAVEL VERT	DF0660
SW1001	ALPS SWITCH L/TRAVEL VERT	DF0660
SW1100	ALPS SWITCH L/TRAVEL VERT	DF0660
SW1101	ALPS SWITCH L/TRAVEL VERT	DF0660
SW1200	ALPS SWITCH L/TRAVEL VERT	DF0660
SW1201	ALPS SWITCH L/TRAVEL VERT	DF0660
SW1300	ALPS SWITCH L/TRAVEL VERT	DF0660
SW1301	ALPS SWITCH L/TRAVEL VERT	DF0660
SW1400	ALPS SWITCH L/TRAVEL VERT	DF0660
SW1401	ALPS SWITCH L/TRAVEL VERT	DF0660
SW700	ALPS SWITCH L/TRAVEL VERT	DF0660
SW701	ALPS SWITCH L/TRAVEL VERT	DF0660
SW800	ALPS SWITCH L/TRAVEL VERT	DF0660
SW801	ALPS SWITCH L/TRAVEL VERT	DF0660
SW900	ALPS SWITCH L/TRAVEL VERT	DF0660
SW901	ALPS SWITCH L/TRAVEL VERT	DF0660
TR1000	PNP TRANS 2SB737 LOW RBB	BD0346
TR1001	PNP TRANS 2SB737 LOW RBB	BD0346
TR1100	PNP TRANS 2SB737 LOW RBB	BD0346
TR1101	PNP TRANS 2SB737 LOW RBB	BD0346
TR1200	PNP TRANS 2SB737 LOW RBB	BD0346
TR1201	PNP TRANS 2SB737 LOW RBB	BD0346
TR700	PNP TRANS 2SB737 LOW RBB	BD0346
TR701	PNP TRANS 2SB737 LOW RBB	BD0346
TR800	PNP TRANS 2SB737 LOW RBB	BD0346
TR801	PNP TRANS 2SB737 LOW RBB	BD0346
TR900	PNP TRANS 2SB737 LOW RBB	BD0346
TR901	PNP TRANS 2SB737 LOW RBB	BD0346

E8 MAIN PCB ASSY.

Ident	Description
---	E8 MAIN PCB ASSY.
C5	VERT ELEC SSP 10UF/16V

R-S2001A-02-AF

Part Number
R-S2001A-02-SM
CE0448

C6	VERT ELEC SSP 10UF/16V	CE0448
C7	VERT ELEC 33UF/16V SSP	CE0457
C8	VERT ELEC 33UF/16V SSP	CE0457
C11	VERT ELEC SSP 10UF/16V	CE0448
C12	VERT ELEC SSP 10UF/16V	CE0448
C21	VERT ELEC SSP 10UF/16V	CE0448
C22	VERT ELEC SSP 10UF/16V	CE0448
C23	VERT ELEC 33UF/16V SSP	CE0457
C25	VERT ELEC 0.2" 47UF 63V SKP	CE0402
C27	VERT ELEC 10UF/63V 5X11MMSKP	CE0462
C29	VERT ELEC 33UF/16V SSP	CE0457
C500	CAP ELEC 3300UF 6.3V SMR	CE10044
C501	VERT ELEC 0.2" 47UF 63V SKP	CE0402
C502	VERT ELEC 0.2" 47UF 63V SKP	CE0402
C507	MICRO-BOX 5MM 5% 63V 3N3	CC0241
C508	MICRO-BOX 5MM 5% 63V 10N	CC0244
C509	MICRO-BOX 5MM 5% 63V 68N	CC0249
C510	MICRO-BOX 5MM 5% 63V 2N2	CC0240
C511	MICRO-BOX 5MM 5% 63V 2N2	CC0240
C512	VERT ELEC 33UF/16V SSP	CE0457
C515	VERT ELEC SSP 10UF/16V	CE0448
C519	VERT ELECT 4.7UF 50V SKP	CE0440
C600	CAP ELEC 3300UF 6.3V SMR	CE10044
C601	VERT ELEC 0.2" 47UF 63V SKP	CE0402
C602	VERT ELEC 0.2" 47UF 63V SKP	CE0402
C607	MICRO-BOX 5MM 5% 63V 3N3	CC0241
C608	MICRO-BOX 5MM 5% 63V 10N	CC0244
C609	MICRO-BOX 5MM 5% 63V 68N	CC0249
C610	MICRO-BOX 5MM 5% 63V 2N2	CC0240
C611	MICRO-BOX 5MM 5% 63V 2N2	CC0240
C612	VERT ELEC 33UF/16V SSP	CE0457
C615	VERT ELEC SSP 10UF/16V	CE0448
C619	VERT ELECT 4.7UF 50V SKP	CE0440
C700	CAP ELEC 3300UF 6.3V SMR	CE10044
C701	VERT ELEC 0.2" 47UF 63V SKP	CE0402
C702	VERT ELEC 0.2" 47UF 63V SKP	CE0402
C707	MICRO-BOX 5MM 5% 63V 3N3	CC0241
C708	MICRO-BOX 5MM 5% 63V 10N	CC0244
C709	MICRO-BOX 5MM 5% 63V 68N	CC0249
C710	MICRO-BOX 5MM 5% 63V 2N2	CC0240
C711	MICRO-BOX 5MM 5% 63V 2N2	CC0240
C712	VERT ELEC 33UF/16V SSP	CE0457
C715	VERT ELEC SSP 10UF/16V	CE0448
C719	VERT ELECT 4.7UF 50V SKP	CE0440
C800	CAP ELEC 3300UF 6.3V SMR	CE10044
C801	VERT ELEC 0.2" 47UF 63V SKP	CE0402
C802	VERT ELEC 0.2" 47UF 63V SKP	CE0402
C807	MICRO-BOX 5MM 5% 63V 3N3	CC0241
C808	MICRO-BOX 5MM 5% 63V 10N	CC0244
C809	MICRO-BOX 5MM 5% 63V 68N	CC0249
C810	MICRO-BOX 5MM 5% 63V 2N2	CC0240
C811	MICRO-BOX 5MM 5% 63V 2N2	CC0240
C812	VERT ELEC 33UF/16V SSP	CE0457
C815	VERT ELEC SSP 10UF/16V	CE0448
C819	VERT ELECT 4.7UF 50V SKP	CE0440
C900	CAP ELEC 3300UF 6.3V SMR	CE10044
C901	VERT ELEC 0.2" 47UF 63V SKP	CE0402
C902	VERT ELEC 0.2" 47UF 63V SKP	CE0402
C907	MICRO-BOX 5MM 5% 63V 3N3	CC0241
C908	MICRO-BOX 5MM 5% 63V 10N	CC0244
C909	MICRO-BOX 5MM 5% 63V 68N	CC0249
C910	MICRO-BOX 5MM 5% 63V 2N2	CC0240
C911	MICRO-BOX 5MM 5% 63V 2N2	CC0240
C912	VERT ELEC 33UF/16V SSP	CE0457
C915	VERT ELEC SSP 10UF/16V	CE0448
C919	VERT ELECT 4.7UF 50V SKP	CE0440
C1000	CAP ELEC 3300UF 6.3V SMR	CE10044
C1001	VERT ELEC 0.2" 47UF 63V SKP	CE0402
C1002	VERT ELEC 0.2" 47UF 63V SKP	CE0402
C1007	MICRO-BOX 5MM 5% 63V 3N3	CC0241
C1008	MICRO-BOX 5MM 5% 63V 10N	CC0244
C1009	MICRO-BOX 5MM 5% 63V 68N	CC0249
C1010	MICRO-BOX 5MM 5% 63V 2N2	CC0240

C1011	MICRO-BOX 5MM 5% 63V 2N2	CC0240
C1012	VERT ELEC 33UF/16V SSP	CE0457
C1015	VERT ELEC SSP 10UF/16V	CE0448
C1019	VERT ELECT 4.7UF 50V SKP	CE0440
C1100	CAP ELEC 3300UF 6.3V SMR	CE10044
C1101	VERT ELEC 0.2" 47UF 63V SKP	CE0402
C1102	VERT ELEC 0.2" 47UF 63V SKP	CE0402
C1107	MICRO-BOX 5MM 5% 63V 3N3	CC0241
C1108	MICRO-BOX 5MM 5% 63V 10N	CC0244
C1109	MICRO-BOX 5MM 5% 63V 68N	CC0249
C1110	MICRO-BOX 5MM 5% 63V 2N2	CC0240
C1111	MICRO-BOX 5MM 5% 63V 2N2	CC0240
C1112	VERT ELEC 33UF/16V SSP	CE0457
C1115	VERT ELEC SSP 10UF/16V	CE0448
C1119	VERT ELECT 4.7UF 50V SKP	CE0440
C1200	CAP ELEC 3300UF 6.3V SMR	CE10044
C1201	VERT ELEC 0.2" 47UF 63V SKP	CE0402
C1202	VERT ELEC 0.2" 47UF 63V SKP	CE0402
C1207	MICRO-BOX 5MM 5% 63V 3N3	CC0241
C1208	MICRO-BOX 5MM 5% 63V 10N	CC0244
C1209	MICRO-BOX 5MM 5% 63V 68N	CC0249
C1210	MICRO-BOX 5MM 5% 63V 2N2	CC0240
C1211	MICRO-BOX 5MM 5% 63V 2N2	CC0240
C1212	VERT ELEC 33UF/16V SSP	CE0457
C1215	VERT ELEC SSP 10UF/16V	CE0448
C1219	VERT ELECT 4.7UF 50V SKP	CE0440
C1301	MICRO-BOX 5MM 5% 63V 1N	CC0238
C1302	MICRO-BOX 5MM 5% 63V 1N	CC0238
C1304	VERT ELEC 0.2"TPD 100UF 10V SK	CE0403
C1305	VERT ELEC 0.2"TPD 100UF 10V SK	CE0403
C1306	VERT ELECT 4.7UF 50V SKP	CE0440
C1311	MICRO-BOX 5MM 5% 63V 68N	CC0249
C1312	CAP ELEC 220UF 6.3V SVP	CE10045
C1313	MICRO-BOX 5MM 5% 63V 68N	CC0249
C1314	CAP ELEC 220UF 6.3V SVP	CE10045
C1401	MICRO-BOX 5MM 5% 63V 1N	CC0238
C1402	MICRO-BOX 5MM 5% 63V 1N	CC0238
C1404	VERT ELEC 0.2"TPD 100UF 10V SK	CE0403
C1405	VERT ELEC 0.2"TPD 100UF 10V SK	CE0403
C1406	VERT ELECT 4.7UF 50V SKP	CE0440
C1411	MICRO-BOX 5MM 5% 63V 68N	CC0249
C1412	CAP ELEC 220UF 6.3V SVP	CE10045
C1413	MICRO-BOX 5MM 5% 63V 68N	CC0249
C1414	CAP ELEC 220UF 6.3V SVP	CE10045
CN1	XLR A-SRS PLASTIC ML PIN1 GND	FK0970
CN2	XLR A-SRS PLASTIC ML PIN1 GND	FK0970
CN3	JACK SKT STEREO 3PIN LIH SHENG	FH0792
CN4	JACK SKT STEREO 3PIN LIH SHENG	FH0792
CN5	JACK SKT STEREO 3PIN LIH SHENG	FH0792
CN6	JACK SKT STEREO 3PIN LIH SHENG	FH0792
CN7	JACK SKT STEREO 3PIN LIH SHENG	FH0792
CN8	QUAD PC PHONO SKT PHS12D	FH0755
CN9	2MM 5WY VERT ML HDR CHINA	FF10097
CN10	JACK SKT STEREO 5PIN LIH SHENG	FH0793
CN11	JACK SKT STEREO 5PIN LIH SHENG	FH0793
CN500	XLR CON FML VERT	FK0967
CN501	JACK SKT STEREO 3PIN LIH SHENG	FH0792
CN502	JACK SKT STEREO 5PIN LIH SHENG	FH0793
CN600	XLR CON FML VERT	FK0967
CN601	JACK SKT STEREO 3PIN LIH SHENG	FH0792
CN602	JACK SKT STEREO 5PIN LIH SHENG	FH0793
CN700	XLR CON FML VERT	FK0967
CN701	JACK SKT STEREO 3PIN LIH SHENG	FH0792
CN702	JACK SKT STEREO 5PIN LIH SHENG	FH0793
CN800	XLR CON FML VERT	FK0967
CN801	JACK SKT STEREO 3PIN LIH SHENG	FH0792
CN802	JACK SKT STEREO 5PIN LIH SHENG	FH0793
CN900	XLR CON FML VERT	FK0967
CN901	JACK SKT STEREO 3PIN LIH SHENG	FH0792
CN902	JACK SKT STEREO 5PIN LIH SHENG	FH0793
CN1000	XLR CON FML VERT	FK0967
CN1001	JACK SKT STEREO 3PIN LIH SHENG	FH0792
CN1002	JACK SKT STEREO 5PIN LIH SHENG	FH0793

CN1100	XLR CON FML VERT	FK0967
CN1101	JACK SKT STEREO 3PIN LIH SHENG	FH0792
CN1102	JACK SKT STEREO 5PIN LIH SHENG	FH0793
CN1200	XLR CON FML VERT	FK0967
CN1201	JACK SKT STEREO 3PIN LIH SHENG	FH0792
CN1202	JACK SKT STEREO 5PIN LIH SHENG	FH0793
CN1300	JACK SKT STEREO 5PIN LIH SHENG	FH0793
CN1301	JACK SKT STEREO 3PIN LIH SHENG	FH0792
CN1400	JACK SKT STEREO 5PIN LIH SHENG	FH0793
CN1401	JACK SKT STEREO 3PIN LIH SHENG	FH0792
LD1	LED RED 3MM S/B UNPRE	JA0100
LD2	LED GREEN 3MM S/B UNPRE	JA0101
LD3	LED GREEN 3MM S/B UNPRE	JA0101
LD4	LED GREEN 3MM S/B UNPRE	JA0101
LD5	LED GREEN 3MM S/B UNPRE	JA0101
LD6	LED GREEN 3MM S/B UNPRE	JA0101
LD7	LED AMBER 3MM S/B UNPRE	JA0126
LD8	LED AMBER 3MM S/B UNPRE	JA0126
LD9	LED AMBER 3MM S/B UNPRE	JA0126
LD10	LED RED 3MM S/B UNPRE	JA0100
LD11	LED RED 3MM S/B UNPRE	JA0100
LD12	LED GREEN 3MM S/B UNPRE	JA0101
LD13	LED GREEN 3MM S/B UNPRE	JA0101
LD14	LED GREEN 3MM S/B UNPRE	JA0101
LD15	LED GREEN 3MM S/B UNPRE	JA0101
LD16	LED GREEN 3MM S/B UNPRE	JA0101
LD17	LED AMBER 3MM S/B UNPRE	JA0126
LD18	LED AMBER 3MM S/B UNPRE	JA0126
LD19	LED AMBER 3MM S/B UNPRE	JA0126
LD20	LED RED 3MM S/B UNPRE	JA0100
LD21	LED RED 3MM S/B UNPRE	JA0100
LD22	LED GREEN 3MM S/B UNPRE	JA0101
LD23	LED RED 3MM S/B UNPRE	JA0100
LD1000	LED RED 3MM S/B UNPRE	JA0100
LD1100	LED RED 3MM S/B UNPRE	JA0100
LD1200	LED RED 3MM S/B UNPRE	JA0100
LD1300	LED RED 3MM S/B UNPRE	JA0100
LD1400	LED RED 3MM S/B UNPRE	JA0100
LD500	LED RED 3MM S/B UNPRE	JA0100
LD600	LED RED 3MM S/B UNPRE	JA0100
LD700	LED RED 3MM S/B UNPRE	JA0100
LD800	LED RED 3MM S/B UNPRE	JA0100
LD900	LED RED 3MM S/B UNPRE	JA0100
P1	ALPS 12MM 20KK DUAL	DM1355
P2	ALPS 12MM 20KK DUAL	DM1355
P3	ALPS 100MM M/FDR SPT+DC+ETS+WB	DD0458
P4	ALPS 100MM M/FDR SPT+DC+ETS+WB	DD0458
P1000	ALPS 11MM 10K MIC LAW 37.5MM	DM1398
P1001	ALPS 9MM VRT SHRT-D 20KB CDCOL	DM1250
P1002	ALPS 11MM VERT 200KCX2 HIGH/D	DM1323
P1003	ALPS 9MM VRT SHRT-D 20KB CDCOL	DM1250
P1004	ALPS 9MM VRT SHRT-D 20KB CDCOL	DM1250
P1005	ALPS 100MM M/FDR SPT+DC+ETS+WB	DD0458
P1006	ALPS 14MM VERT 10KAC C/D DU HD	DM1322
P1007	ALPS 12MM 20KK DUAL	DM1355
P1008	ALPS 12MM 20KK DUAL	DM1355
P1100	ALPS 11MM 10K MIC LAW 37.5MM	DM1398
P1101	ALPS 9MM VRT SHRT-D 20KB CDCOL	DM1250
P1102	ALPS 11MM VERT 200KCX2 HIGH/D	DM1323
P1103	ALPS 9MM VRT SHRT-D 20KB CDCOL	DM1250
P1104	ALPS 9MM VRT SHRT-D 20KB CDCOL	DM1250
P1105	ALPS 100MM M/FDR SPT+DC+ETS+WB	DD0458
P1106	ALPS 14MM VERT 10KAC C/D DU HD	DM1322
P1107	ALPS 12MM 20KK DUAL	DM1355
P1108	ALPS 12MM 20KK DUAL	DM1355
P1200	ALPS 11MM 10K MIC LAW 37.5MM	DM1398
P1201	ALPS 9MM VRT SHRT-D 20KB CDCOL	DM1250
P1202	ALPS 11MM VERT 200KCX2 HIGH/D	DM1323
P1203	ALPS 9MM VRT SHRT-D 20KB CDCOL	DM1250
P1204	ALPS 9MM VRT SHRT-D 20KB CDCOL	DM1250
P1205	ALPS 100MM M/FDR SPT+DC+ETS+WB	DD0458
P1206	ALPS 14MM VERT 10KAC C/D DU HD	DM1322
P1207	ALPS 12MM 20KK DUAL	DM1355

P1208	ALPS 12MM 20KK DUAL	DMI355
P1300	ALPS 100MM 10KDX2 PC MNT+DC	DD0441
P1301	ALPS 12MM VERT 20KBX2	DMI380
P1302	ALPS 12MM 20KK DUAL	DMI355
P1303	ALPS 12MM 20KK DUAL	DMI355
P1304	ALPS 12MM VERT 20KBX2	DMI380
P1305	ALPS 14MM VERT 20KWX2 37.5MM	DMI381
P1306	ALPS 14MM VERT 10KAC C/D DU HD	DMI322
P1400	ALPS 100MM 10KDX2 PC MNT+DC	DD0441
P1401	ALPS 12MM VERT 20KBX2	DMI380
P1402	ALPS 12MM 20KK DUAL	DMI355
P1403	ALPS 12MM 20KK DUAL	DMI355
P1404	ALPS 12MM VERT 20KBX2	DMI380
P1405	ALPS 14MM VERT 20KWX2 37.5MM	DMI381
P1406	ALPS 14MM VERT 10KAC C/D DU HD	DMI322
P500	ALPS 11MM 10K MIC LAW 37.5MM	DMI398
P501	ALPS 9MM VRT SHRT-D 20KB CDCOL	DMI250
P502	ALPS 11MM VERT 200KCX2 HIGH/D	DMI323
P503	ALPS 9MM VRT SHRT-D 20KB CDCOL	DMI250
P504	ALPS 9MM VRT SHRT-D 20KB CDCOL	DMI250
P505	ALPS 100MM M/FDR SPT+DC+ETS+WB	DD0458
P506	ALPS 14MM VERT 10KAC C/D DU HD	DMI322
P507	ALPS 12MM 20KK DUAL	DMI355
P508	ALPS 12MM 20KK DUAL	DMI355
P600	ALPS 11MM 10K MIC LAW 37.5MM	DMI398
P601	ALPS 9MM VRT SHRT-D 20KB CDCOL	DMI250
P602	ALPS 11MM VERT 200KCX2 HIGH/D	DMI323
P603	ALPS 9MM VRT SHRT-D 20KB CDCOL	DMI250
P604	ALPS 9MM VRT SHRT-D 20KB CDCOL	DMI250
P605	ALPS 100MM M/FDR SPT+DC+ETS+WB	DD0458
P606	ALPS 14MM VERT 10KAC C/D DU HD	DMI322
P607	ALPS 12MM 20KK DUAL	DMI355
P608	ALPS 12MM 20KK DUAL	DMI355
P700	ALPS 11MM 10K MIC LAW 37.5MM	DMI398
P701	ALPS 9MM VRT SHRT-D 20KB CDCOL	DMI250
P702	ALPS 11MM VERT 200KCX2 HIGH/D	DMI323
P703	ALPS 9MM VRT SHRT-D 20KB CDCOL	DMI250
P704	ALPS 9MM VRT SHRT-D 20KB CDCOL	DMI250
P705	ALPS 100MM M/FDR SPT+DC+ETS+WB	DD0458
P706	ALPS 14MM VERT 10KAC C/D DU HD	DMI322
P707	ALPS 12MM 20KK DUAL	DMI355
P708	ALPS 12MM 20KK DUAL	DMI355
P800	ALPS 11MM 10K MIC LAW 37.5MM	DMI398
P801	ALPS 9MM VRT SHRT-D 20KB CDCOL	DMI250
P802	ALPS 11MM VERT 200KCX2 HIGH/D	DMI323
P803	ALPS 9MM VRT SHRT-D 20KB CDCOL	DMI250
P804	ALPS 9MM VRT SHRT-D 20KB CDCOL	DMI250
P805	ALPS 100MM M/FDR SPT+DC+ETS+WB	DD0458
P806	ALPS 14MM VERT 10KAC C/D DU HD	DMI322
P807	ALPS 12MM 20KK DUAL	DMI355
P808	ALPS 12MM 20KK DUAL	DMI355
P900	ALPS 11MM 10K MIC LAW 37.5MM	DMI398
P901	ALPS 9MM VRT SHRT-D 20KB CDCOL	DMI250
P902	ALPS 11MM VERT 200KCX2 HIGH/D	DMI323
P903	ALPS 9MM VRT SHRT-D 20KB CDCOL	DMI250
P904	ALPS 9MM VRT SHRT-D 20KB CDCOL	DMI250
P905	ALPS 100MM M/FDR SPT+DC+ETS+WB	DD0458
P906	ALPS 14MM VERT 10KAC C/D DU HD	DMI322
P907	ALPS 12MM 20KK DUAL	DMI355
P908	ALPS 12MM 20KK DUAL	DMI355
R513	MF 0.25W RES 1% 6K8 BL	API369
R514	MF 0.25W RES 1% 6K8 BL	API369
R613	MF 0.25W RES 1% 6K8 BL	API369
R614	MF 0.25W RES 1% 6K8 BL	API369
R713	MF 0.25W RES 1% 6K8 BL	API369
R714	MF 0.25W RES 1% 6K8 BL	API369
R813	MF 0.25W RES 1% 6K8 BL	API369
R814	MF 0.25W RES 1% 6K8 BL	API369
R913	MF 0.25W RES 1% 6K8 BL	API369
R914	MF 0.25W RES 1% 6K8 BL	API369
R1013	MF 0.25W RES 1% 6K8 BL	API369
R1014	MF 0.25W RES 1% 6K8 BL	API369
R1113	MF 0.25W RES 1% 6K8 BL	API369

R1114	MF 0.25W RES 1% 6K8 BL	AP1369
R1213	MF 0.25W RES 1% 6K8 BL	AP1369
R1214	MF 0.25W RES 1% 6K8 BL	AP1369
SW1	ALPS SWITCH L/TRAVEL VERT	DF0660
SW2	ALPS SWITCH L/TRAVEL VERT	DF0660
SW3	ALPS SWITCH L/TRAVEL VERT	DF0660
SW4	ALPS SWITCH L/TRAVEL VERT	DF0660
SW5	ALPS SWITCH L/TRAVEL VERT	DF0660
SW1000	ALPS SWITCH L/TRAVEL VERT	DF0660
SW1001	ALPS SWITCH L/TRAVEL VERT	DF0660
SW1100	ALPS SWITCH L/TRAVEL VERT	DF0660
SW1101	ALPS SWITCH L/TRAVEL VERT	DF0660
SW1200	ALPS SWITCH L/TRAVEL VERT	DF0660
SW1201	ALPS SWITCH L/TRAVEL VERT	DF0660
SW1300	ALPS SWITCH L/TRAVEL VERT	DF0660
SW1301	ALPS SWITCH L/TRAVEL VERT	DF0660
SW1400	ALPS SWITCH L/TRAVEL VERT	DF0660
SW1401	ALPS SWITCH L/TRAVEL VERT	DF0660
SW500	ALPS SWITCH L/TRAVEL VERT	DF0660
SW501	ALPS SWITCH L/TRAVEL VERT	DF0660
SW600	ALPS SWITCH L/TRAVEL VERT	DF0660
SW601	ALPS SWITCH L/TRAVEL VERT	DF0660
SW700	ALPS SWITCH L/TRAVEL VERT	DF0660
SW701	ALPS SWITCH L/TRAVEL VERT	DF0660
SW800	ALPS SWITCH L/TRAVEL VERT	DF0660
SW801	ALPS SWITCH L/TRAVEL VERT	DF0660
SW900	ALPS SWITCH L/TRAVEL VERT	DF0660
SW901	ALPS SWITCH L/TRAVEL VERT	DF0660
TR1000	PNP TRANS 2SB737 LOW RBB	BD0346
TR1001	PNP TRANS 2SB737 LOW RBB	BD0346
TR1100	PNP TRANS 2SB737 LOW RBB	BD0346
TR1101	PNP TRANS 2SB737 LOW RBB	BD0346
TR1200	PNP TRANS 2SB737 LOW RBB	BD0346
TR1201	PNP TRANS 2SB737 LOW RBB	BD0346
TR500	PNP TRANS 2SB737 LOW RBB	BD0346
TR501	PNP TRANS 2SB737 LOW RBB	BD0346
TR600	PNP TRANS 2SB737 LOW RBB	BD0346
TR601	PNP TRANS 2SB737 LOW RBB	BD0346
TR700	PNP TRANS 2SB737 LOW RBB	BD0346
TR701	PNP TRANS 2SB737 LOW RBB	BD0346
TR800	PNP TRANS 2SB737 LOW RBB	BD0346
TR801	PNP TRANS 2SB737 LOW RBB	BD0346
TR900	PNP TRANS 2SB737 LOW RBB	BD0346
TR901	PNP TRANS 2SB737 LOW RBB	BD0346

E12 MAIN PCB ASSY.

Ident	Description	Part Number
---	E12 MAIN PCB ASSY.	R-S2002A-04-SM
C5	VERT ELEC SSP 10UF/16V	CE0448
C6	VERT ELEC SSP 10UF/16V	CE0448
C7	VERT ELEC 33UF/16V SSP	CE0457
C8	VERT ELEC 33UF/16V SSP	CE0457
C11	VERT ELEC SSP 10UF/16V	CE0448
C12	VERT ELEC SSP 10UF/16V	CE0448
C21	VERT ELEC SSP 10UF/16V	CE0448
C22	VERT ELEC SSP 10UF/16V	CE0448
C23	VERT ELEC 33UF/16V SSP	CE0457
C25	VERT ELEC 0.2" 47UF 63V SKP	CE0402
C27	VERT ELEC 10UF/63V 5X11MMSKP	CE0462
C29	VERT ELEC 33UF/16V SSP	CE0457
C100	CAP ELEC 3300UF 6.3V SMR	CE10044
C101	VERT ELEC 0.2" 47UF 63V SKP	CE0402
C102	VERT ELEC 0.2" 47UF 63V SKP	CE0402
C107	MICRO-BOX 5MM 5% 63V 3N3	CC0241
C108	MICRO-BOX 5MM 5% 63V 10N	CC0244
C109	MICRO-BOX 5MM 5% 63V 68N	CC0249
C110	MICRO-BOX 5MM 5% 63V 2N2	CC0240
C111	MICRO-BOX 5MM 5% 63V 2N2	CC0240
C112	VERT ELEC 33UF/16V SSP	CE0457
C115	VERT ELEC SSP 10UF/16V	CE0448
C119	VERT ELECT 4.7UF 50V SKP	CE0440
C200	CAP ELEC 3300UF 6.3V SMR	CE10044

R-S2002A-04-AF

C201	VERT ELEC 0.2" 47UF 63V SKP	CE0402
C202	VERT ELEC 0.2" 47UF 63V SKP	CE0402
C207	MICRO-BOX 5MM 5% 63V 3N3	CC0241
C208	MICRO-BOX 5MM 5% 63V 10N	CC0244
C209	MICRO-BOX 5MM 5% 63V 68N	CC0249
C210	MICRO-BOX 5MM 5% 63V 2N2	CC0240
C211	MICRO-BOX 5MM 5% 63V 2N2	CC0240
C212	VERT ELEC 33UF/16V SSP	CE0457
C215	VERT ELEC SSP 10UF/16V	CE0448
C219	VERT ELECT 4.7UF 50V SKP	CE0440
C300	CAP ELEC 3300UF 6.3V SMR	CE10044
C301	VERT ELEC 0.2" 47UF 63V SKP	CE0402
C302	VERT ELEC 0.2" 47UF 63V SKP	CE0402
C307	MICRO-BOX 5MM 5% 63V 3N3	CC0241
C308	MICRO-BOX 5MM 5% 63V 10N	CC0244
C309	MICRO-BOX 5MM 5% 63V 68N	CC0249
C310	MICRO-BOX 5MM 5% 63V 2N2	CC0240
C311	MICRO-BOX 5MM 5% 63V 2N2	CC0240
C312	VERT ELEC 33UF/16V SSP	CE0457
C315	VERT ELEC SSP 10UF/16V	CE0448
C319	VERT ELECT 4.7UF 50V SKP	CE0440
C400	CAP ELEC 3300UF 6.3V SMR	CE10044
C401	VERT ELEC 0.2" 47UF 63V SKP	CE0402
C402	VERT ELEC 0.2" 47UF 63V SKP	CE0402
C407	MICRO-BOX 5MM 5% 63V 3N3	CC0241
C408	MICRO-BOX 5MM 5% 63V 10N	CC0244
C409	MICRO-BOX 5MM 5% 63V 68N	CC0249
C410	MICRO-BOX 5MM 5% 63V 2N2	CC0240
C411	MICRO-BOX 5MM 5% 63V 2N2	CC0240
C412	VERT ELEC 33UF/16V SSP	CE0457
C415	VERT ELEC SSP 10UF/16V	CE0448
C419	VERT ELECT 4.7UF 50V SKP	CE0440
C500	CAP ELEC 3300UF 6.3V SMR	CE10044
C501	VERT ELEC 0.2" 47UF 63V SKP	CE0402
C502	VERT ELEC 0.2" 47UF 63V SKP	CE0402
C507	MICRO-BOX 5MM 5% 63V 3N3	CC0241
C508	MICRO-BOX 5MM 5% 63V 10N	CC0244
C509	MICRO-BOX 5MM 5% 63V 68N	CC0249
C510	MICRO-BOX 5MM 5% 63V 2N2	CC0240
C511	MICRO-BOX 5MM 5% 63V 2N2	CC0240
C512	VERT ELEC 33UF/16V SSP	CE0457
C515	VERT ELEC SSP 10UF/16V	CE0448
C519	VERT ELECT 4.7UF 50V SKP	CE0440
C600	CAP ELEC 3300UF 6.3V SMR	CE10044
C601	VERT ELEC 0.2" 47UF 63V SKP	CE0402
C602	VERT ELEC 0.2" 47UF 63V SKP	CE0402
C607	MICRO-BOX 5MM 5% 63V 3N3	CC0241
C608	MICRO-BOX 5MM 5% 63V 10N	CC0244
C609	MICRO-BOX 5MM 5% 63V 68N	CC0249
C610	MICRO-BOX 5MM 5% 63V 2N2	CC0240
C611	MICRO-BOX 5MM 5% 63V 2N2	CC0240
C612	VERT ELEC 33UF/16V SSP	CE0457
C615	VERT ELEC SSP 10UF/16V	CE0448
C619	VERT ELECT 4.7UF 50V SKP	CE0440
C700	CAP ELEC 3300UF 6.3V SMR	CE10044
C701	VERT ELEC 0.2" 47UF 63V SKP	CE0402
C702	VERT ELEC 0.2" 47UF 63V SKP	CE0402
C707	MICRO-BOX 5MM 5% 63V 3N3	CC0241
C708	MICRO-BOX 5MM 5% 63V 10N	CC0244
C709	MICRO-BOX 5MM 5% 63V 68N	CC0249
C710	MICRO-BOX 5MM 5% 63V 2N2	CC0240
C711	MICRO-BOX 5MM 5% 63V 2N2	CC0240
C712	VERT ELEC 33UF/16V SSP	CE0457
C715	VERT ELEC SSP 10UF/16V	CE0448
C719	VERT ELECT 4.7UF 50V SKP	CE0440
C800	CAP ELEC 3300UF 6.3V SMR	CE10044
C801	VERT ELEC 0.2" 47UF 63V SKP	CE0402
C802	VERT ELEC 0.2" 47UF 63V SKP	CE0402
C807	MICRO-BOX 5MM 5% 63V 3N3	CC0241
C808	MICRO-BOX 5MM 5% 63V 10N	CC0244
C809	MICRO-BOX 5MM 5% 63V 68N	CC0249
C810	MICRO-BOX 5MM 5% 63V 2N2	CC0240
C811	MICRO-BOX 5MM 5% 63V 2N2	CC0240

C812	VERT ELEC 33UF/16V SSP	CE0457
C815	VERT ELEC SSP 10UF/16V	CE0448
C819	VERT ELECT 4.7UF 50V SKP	CE0440
C900	CAP ELEC 3300UF 6.3V SMR	CE10044
C901	VERT ELEC 0.2" 47UF 63V SKP	CE0402
C902	VERT ELEC 0.2" 47UF 63V SKP	CE0402
C907	MICRO-BOX 5MM 5% 63V 3N3	CC0241
C908	MICRO-BOX 5MM 5% 63V 10N	CC0244
C909	MICRO-BOX 5MM 5% 63V 68N	CC0249
C910	MICRO-BOX 5MM 5% 63V 2N2	CC0240
C911	MICRO-BOX 5MM 5% 63V 2N2	CC0240
C912	VERT ELEC 33UF/16V SSP	CE0457
C915	VERT ELEC SSP 10UF/16V	CE0448
C919	VERT ELECT 4.7UF 50V SKP	CE0440
C1000	CAP ELEC 3300UF 6.3V SMR	CE10044
C1001	VERT ELEC 0.2" 47UF 63V SKP	CE0402
C1002	VERT ELEC 0.2" 47UF 63V SKP	CE0402
C1007	MICRO-BOX 5MM 5% 63V 3N3	CC0241
C1008	MICRO-BOX 5MM 5% 63V 10N	CC0244
C1009	MICRO-BOX 5MM 5% 63V 68N	CC0249
C1010	MICRO-BOX 5MM 5% 63V 2N2	CC0240
C1011	MICRO-BOX 5MM 5% 63V 2N2	CC0240
C1012	VERT ELEC 33UF/16V SSP	CE0457
C1015	VERT ELEC SSP 10UF/16V	CE0448
C1019	VERT ELECT 4.7UF 50V SKP	CE0440
C1100	CAP ELEC 3300UF 6.3V SMR	CE10044
C1101	VERT ELEC 0.2" 47UF 63V SKP	CE0402
C1102	VERT ELEC 0.2" 47UF 63V SKP	CE0402
C1107	MICRO-BOX 5MM 5% 63V 3N3	CC0241
C1108	MICRO-BOX 5MM 5% 63V 10N	CC0244
C1109	MICRO-BOX 5MM 5% 63V 68N	CC0249
C1110	MICRO-BOX 5MM 5% 63V 2N2	CC0240
C1111	MICRO-BOX 5MM 5% 63V 2N2	CC0240
C1112	VERT ELEC 33UF/16V SSP	CE0457
C1115	VERT ELEC SSP 10UF/16V	CE0448
C1119	VERT ELECT 4.7UF 50V SKP	CE0440
C1200	CAP ELEC 3300UF 6.3V SMR	CE10044
C1201	VERT ELEC 0.2" 47UF 63V SKP	CE0402
C1202	VERT ELEC 0.2" 47UF 63V SKP	CE0402
C1207	MICRO-BOX 5MM 5% 63V 3N3	CC0241
C1208	MICRO-BOX 5MM 5% 63V 10N	CC0244
C1209	MICRO-BOX 5MM 5% 63V 68N	CC0249
C1210	MICRO-BOX 5MM 5% 63V 2N2	CC0240
C1211	MICRO-BOX 5MM 5% 63V 2N2	CC0240
C1212	VERT ELEC 33UF/16V SSP	CE0457
C1215	VERT ELEC SSP 10UF/16V	CE0448
C1219	VERT ELECT 4.7UF 50V SKP	CE0440
C1301	MICRO-BOX 5MM 5% 63V 1N	CC0238
C1302	MICRO-BOX 5MM 5% 63V 1N	CC0238
C1304	VERT ELEC 0.2"TPD 100UF 10V SK	CE0403
C1305	VERT ELEC 0.2"TPD 100UF 10V SK	CE0403
C1306	VERT ELECT 4.7UF 50V SKP	CE0440
C1311	MICRO-BOX 5MM 5% 63V 68N	CC0249
C1312	CAP ELEC 220UF 6.3V SVP	CE10045
C1313	MICRO-BOX 5MM 5% 63V 68N	CC0249
C1314	CAP ELEC 220UF 6.3V SVP	CE10045
C1401	MICRO-BOX 5MM 5% 63V 1N	CC0238
C1402	MICRO-BOX 5MM 5% 63V 1N	CC0238
C1404	VERT ELEC 0.2"TPD 100UF 10V SK	CE0403
C1405	VERT ELEC 0.2"TPD 100UF 10V SK	CE0403
C1406	VERT ELECT 4.7UF 50V SKP	CE0440
C1411	MICRO-BOX 5MM 5% 63V 68N	CC0249
C1412	CAP ELEC 220UF 6.3V SVP	CE10045
C1413	MICRO-BOX 5MM 5% 63V 68N	CC0249
C1414	CAP ELEC 220UF 6.3V SVP	CE10045
CN1	XLR A-SRS PLASTIC ML PIN1 GND	FK0970
CN2	XLR A-SRS PLASTIC ML PIN1 GND	FK0970
CN3	JACK SKT STEREO 3PIN LIH SHENG	FH0792
CN4	JACK SKT STEREO 3PIN LIH SHENG	FH0792
CN5	JACK SKT STEREO 3PIN LIH SHENG	FH0792
CN6	JACK SKT STEREO 3PIN LIH SHENG	FH0792
CN7	JACK SKT STEREO 3PIN LIH SHENG	FH0792
CN8	QUAD PC PHONO SKT PHS12D	FH0755

CN9	2MM 5WY VERT ML HDR CHINA	FF10097
CN10	JACK SKT STEREO 5PIN LIH SHENG	FH0793
CN11	JACK SKT STEREO 5PIN LIH SHENG	FH0793
CN100	XLR CON FML VERT	FK0967
CN101	JACK SKT STEREO 3PIN LIH SHENG	FH0792
CN102	JACK SKT STEREO 5PIN LIH SHENG	FH0793
CN200	XLR CON FML VERT	FK0967
CN201	JACK SKT STEREO 3PIN LIH SHENG	FH0792
CN202	JACK SKT STEREO 5PIN LIH SHENG	FH0793
CN300	XLR CON FML VERT	FK0967
CN301	JACK SKT STEREO 3PIN LIH SHENG	FH0792
CN302	JACK SKT STEREO 5PIN LIH SHENG	FH0793
CN400	XLR CON FML VERT	FK0967
CN401	JACK SKT STEREO 3PIN LIH SHENG	FH0792
CN402	JACK SKT STEREO 5PIN LIH SHENG	FH0793
CN500	XLR CON FML VERT	FK0967
CN501	JACK SKT STEREO 3PIN LIH SHENG	FH0792
CN502	JACK SKT STEREO 5PIN LIH SHENG	FH0793
CN600	XLR CON FML VERT	FK0967
CN601	JACK SKT STEREO 3PIN LIH SHENG	FH0792
CN602	JACK SKT STEREO 5PIN LIH SHENG	FH0793
CN700	XLR CON FML VERT	FK0967
CN701	JACK SKT STEREO 3PIN LIH SHENG	FH0792
CN702	JACK SKT STEREO 5PIN LIH SHENG	FH0793
CN800	XLR CON FML VERT	FK0967
CN801	JACK SKT STEREO 3PIN LIH SHENG	FH0792
CN802	JACK SKT STEREO 5PIN LIH SHENG	FH0793
CN900	XLR CON FML VERT	FK0967
CN901	JACK SKT STEREO 3PIN LIH SHENG	FH0792
CN902	JACK SKT STEREO 5PIN LIH SHENG	FH0793
CN1000	XLR CON FML VERT	FK0967
CN1001	JACK SKT STEREO 3PIN LIH SHENG	FH0792
CN1002	JACK SKT STEREO 5PIN LIH SHENG	FH0793
CN1100	XLR CON FML VERT	FK0967
CN1101	JACK SKT STEREO 3PIN LIH SHENG	FH0792
CN1102	JACK SKT STEREO 5PIN LIH SHENG	FH0793
CN1200	XLR CON FML VERT	FK0967
CN1201	JACK SKT STEREO 3PIN LIH SHENG	FH0792
CN1202	JACK SKT STEREO 5PIN LIH SHENG	FH0793
CN1300	JACK SKT STEREO 5PIN LIH SHENG	FH0793
CN1301	JACK SKT STEREO 3PIN LIH SHENG	FH0792
CN1400	JACK SKT STEREO 5PIN LIH SHENG	FH0793
CN1401	JACK SKT STEREO 3PIN LIH SHENG	FH0792
LD1	LED RED 3MM S/B UNPRE	JA0100
LD2	LED GREEN 3MM S/B UNPRE	JA0101
LD3	LED GREEN 3MM S/B UNPRE	JA0101
LD4	LED GREEN 3MM S/B UNPRE	JA0101
LD5	LED GREEN 3MM S/B UNPRE	JA0101
LD6	LED GREEN 3MM S/B UNPRE	JA0101
LD7	LED AMBER 3MM S/B UNPRE	JA0126
LD8	LED AMBER 3MM S/B UNPRE	JA0126
LD9	LED AMBER 3MM S/B UNPRE	JA0126
LD10	LED RED 3MM S/B UNPRE	JA0100
LD11	LED RED 3MM S/B UNPRE	JA0100
LD12	LED GREEN 3MM S/B UNPRE	JA0101
LD13	LED GREEN 3MM S/B UNPRE	JA0101
LD14	LED GREEN 3MM S/B UNPRE	JA0101
LD15	LED GREEN 3MM S/B UNPRE	JA0101
LD16	LED GREEN 3MM S/B UNPRE	JA0101
LD17	LED AMBER 3MM S/B UNPRE	JA0126
LD18	LED AMBER 3MM S/B UNPRE	JA0126
LD19	LED AMBER 3MM S/B UNPRE	JA0126
LD20	LED RED 3MM S/B UNPRE	JA0100
LD21	LED RED 3MM S/B UNPRE	JA0100
LD22	LED GREEN 3MM S/B UNPRE	JA0101
LD23	LED RED 3MM S/B UNPRE	JA0100
LD100	LED RED 3MM S/B UNPRE	JA0100
LD1000	LED RED 3MM S/B UNPRE	JA0100
LD1100	LED RED 3MM S/B UNPRE	JA0100
LD1200	LED RED 3MM S/B UNPRE	JA0100
LD1300	LED RED 3MM S/B UNPRE	JA0100
LD1400	LED RED 3MM S/B UNPRE	JA0100
LD200	LED RED 3MM S/B UNPRE	JA0100

LD300	LED RED 3MM S/B UNPRE	JA0100
LD400	LED RED 3MM S/B UNPRE	JA0100
LD500	LED RED 3MM S/B UNPRE	JA0100
LD600	LED RED 3MM S/B UNPRE	JA0100
LD700	LED RED 3MM S/B UNPRE	JA0100
LD800	LED RED 3MM S/B UNPRE	JA0100
LD900	LED RED 3MM S/B UNPRE	JA0100
P1	ALPS 12MM 20KK DUAL	DM1355
P2	ALPS 12MM 20KK DUAL	DM1355
P3	ALPS 100MM M/FDR SPT+DC+ETS+WB	DD0458
P4	ALPS 100MM M/FDR SPT+DC+ETS+WB	DD0458
P100	ALPS 11MM 10K MIC LAW 37.5MM	DM1398
P1000	ALPS 11MM 10K MIC LAW 37.5MM	DM1398
P1001	ALPS 9MM VRT SHRT-D 20KB CDCOL	DM1250
P1002	ALPS 11MM VERT 200KCX2 HIGH/D	DM1323
P1003	ALPS 9MM VRT SHRT-D 20KB CDCOL	DM1250
P1004	ALPS 9MM VRT SHRT-D 20KB CDCOL	DM1250
P1005	ALPS 100MM M/FDR SPT+DC+ETS+WB	DD0458
P1006	ALPS 14MM VERT 10KAC C/D DU HD	DM1322
P1007	ALPS 12MM 20KK DUAL	DM1355
P1008	ALPS 12MM 20KK DUAL	DM1355
P101	ALPS 9MM VRT SHRT-D 20KB CDCOL	DM1250
P102	ALPS 11MM VERT 200KCX2 HIGH/D	DM1323
P103	ALPS 9MM VRT SHRT-D 20KB CDCOL	DM1250
P104	ALPS 9MM VRT SHRT-D 20KB CDCOL	DM1250
P105	ALPS 100MM M/FDR SPT+DC+ETS+WB	DD0458
P106	ALPS 14MM VERT 10KAC C/D DU HD	DM1322
P107	ALPS 12MM 20KK DUAL	DM1355
P108	ALPS 12MM 20KK DUAL	DM1355
P1100	ALPS 11MM 10K MIC LAW 37.5MM	DM1398
P1101	ALPS 9MM VRT SHRT-D 20KB CDCOL	DM1250
P1102	ALPS 11MM VERT 200KCX2 HIGH/D	DM1323
P1103	ALPS 9MM VRT SHRT-D 20KB CDCOL	DM1250
P1104	ALPS 9MM VRT SHRT-D 20KB CDCOL	DM1250
P1105	ALPS 100MM M/FDR SPT+DC+ETS+WB	DD0458
P1106	ALPS 14MM VERT 10KAC C/D DU HD	DM1322
P1107	ALPS 12MM 20KK DUAL	DM1355
P1108	ALPS 12MM 20KK DUAL	DM1355
P1200	ALPS 11MM 10K MIC LAW 37.5MM	DM1398
P1201	ALPS 9MM VRT SHRT-D 20KB CDCOL	DM1250
P1202	ALPS 11MM VERT 200KCX2 HIGH/D	DM1323
P1203	ALPS 9MM VRT SHRT-D 20KB CDCOL	DM1250
P1204	ALPS 9MM VRT SHRT-D 20KB CDCOL	DM1250
P1205	ALPS 100MM M/FDR SPT+DC+ETS+WB	DD0458
P1206	ALPS 14MM VERT 10KAC C/D DU HD	DM1322
P1207	ALPS 12MM 20KK DUAL	DM1355
P1208	ALPS 12MM 20KK DUAL	DM1355
P1300	ALPS 100MM 10KDX2 PC MNT+DC	DD0441
P1301	ALPS 12MM VERT 20KBX2	DM1380
P1302	ALPS 12MM 20KK DUAL	DM1355
P1303	ALPS 12MM 20KK DUAL	DM1355
P1304	ALPS 12MM VERT 20KBX2	DM1380
P1305	ALPS 14MM VERT 20KW2 37.5MM	DM1381
P1306	ALPS 14MM VERT 10KAC C/D DU HD	DM1322
P1400	ALPS 100MM 10KDX2 PC MNT+DC	DD0441
P1401	ALPS 12MM VERT 20KBX2	DM1380
P1402	ALPS 12MM 20KK DUAL	DM1355
P1403	ALPS 12MM 20KK DUAL	DM1355
P1404	ALPS 12MM VERT 20KBX2	DM1380
P1405	ALPS 14MM VERT 20KW2 37.5MM	DM1381
P1406	ALPS 14MM VERT 10KAC C/D DU HD	DM1322
P200	ALPS 11MM 10K MIC LAW 37.5MM	DM1398
P201	ALPS 9MM VRT SHRT-D 20KB CDCOL	DM1250
P202	ALPS 11MM VERT 200KCX2 HIGH/D	DM1323
P203	ALPS 9MM VRT SHRT-D 20KB CDCOL	DM1250
P204	ALPS 9MM VRT SHRT-D 20KB CDCOL	DM1250
P205	ALPS 100MM M/FDR SPT+DC+ETS+WB	DD0458
P206	ALPS 14MM VERT 10KAC C/D DU HD	DM1322
P207	ALPS 12MM 20KK DUAL	DM1355
P208	ALPS 12MM 20KK DUAL	DM1355
P300	ALPS 11MM 10K MIC LAW 37.5MM	DM1398
P301	ALPS 9MM VRT SHRT-D 20KB CDCOL	DM1250
P302	ALPS 11MM VERT 200KCX2 HIGH/D	DM1323

P303	ALPS 9MM VRT SHRT-D 20KB CDCOL	DM1250
P304	ALPS 9MM VRT SHRT-D 20KB CDCOL	DM1250
P305	ALPS 100MM M/FDR SPT +DC +ETS +WB	DD0458
P306	ALPS 14MM VERT 10KAC C/D DU HD	DM1322
P307	ALPS 12MM 20KK DUAL	DM1355
P308	ALPS 12MM 20KK DUAL	DM1355
P400	ALPS 11MM 10K MIC LAW 37.5MM	DM1398
P401	ALPS 9MM VRT SHRT-D 20KB CDCOL	DM1250
P402	ALPS 11MM VERT 200KCX2 HIGH/D	DM1323
P403	ALPS 9MM VRT SHRT-D 20KB CDCOL	DM1250
P404	ALPS 9MM VRT SHRT-D 20KB CDCOL	DM1250
P405	ALPS 100MM M/FDR SPT +DC +ETS +WB	DD0458
P406	ALPS 14MM VERT 10KAC C/D DU HD	DM1322
P407	ALPS 12MM 20KK DUAL	DM1355
P408	ALPS 12MM 20KK DUAL	DM1355
P500	ALPS 11MM 10K MIC LAW 37.5MM	DM1398
P501	ALPS 9MM VRT SHRT-D 20KB CDCOL	DM1250
P502	ALPS 11MM VERT 200KCX2 HIGH/D	DM1323
P503	ALPS 9MM VRT SHRT-D 20KB CDCOL	DM1250
P504	ALPS 9MM VRT SHRT-D 20KB CDCOL	DM1250
P505	ALPS 100MM M/FDR SPT +DC +ETS +WB	DD0458
P506	ALPS 14MM VERT 10KAC C/D DU HD	DM1322
P507	ALPS 12MM 20KK DUAL	DM1355
P508	ALPS 12MM 20KK DUAL	DM1355
P600	ALPS 11MM 10K MIC LAW 37.5MM	DM1398
P601	ALPS 9MM VRT SHRT-D 20KB CDCOL	DM1250
P602	ALPS 11MM VERT 200KCX2 HIGH/D	DM1323
P603	ALPS 9MM VRT SHRT-D 20KB CDCOL	DM1250
P604	ALPS 9MM VRT SHRT-D 20KB CDCOL	DM1250
P605	ALPS 100MM M/FDR SPT +DC +ETS +WB	DD0458
P606	ALPS 14MM VERT 10KAC C/D DU HD	DM1322
P607	ALPS 12MM 20KK DUAL	DM1355
P608	ALPS 12MM 20KK DUAL	DM1355
P700	ALPS 11MM 10K MIC LAW 37.5MM	DM1398
P701	ALPS 9MM VRT SHRT-D 20KB CDCOL	DM1250
P702	ALPS 11MM VERT 200KCX2 HIGH/D	DM1323
P703	ALPS 9MM VRT SHRT-D 20KB CDCOL	DM1250
P704	ALPS 9MM VRT SHRT-D 20KB CDCOL	DM1250
F705	ALPS 100MM M/FDR SPT +DC +ETS +WB	DD0458
P706	ALPS 14MM VERT 10KAC C/D DU HD	DM1322
P707	ALPS 12MM 20KK DUAL	DM1355
P708	ALPS 12MM 20KK DUAL	DM1355
P800	ALPS 11MM 10K MIC LAW 37.5MM	DM1398
P801	ALPS 9MM VRT SHRT-D 20KB CDCOL	DM1250
P802	ALPS 11MM VERT 200KCX2 HIGH/D	DM1323
P803	ALPS 9MM VRT SHRT-D 20KB CDCOL	DM1250
P804	ALPS 9MM VRT SHRT-D 20KB CDCOL	DM1250
P805	ALPS 100MM M/FDR SPT +DC +ETS +WB	DD0458
P806	ALPS 14MM VERT 10KAC C/D DU HD	DM1322
P807	ALPS 12MM 20KK DUAL	DM1355
P808	ALPS 12MM 20KK DUAL	DM1355
P900	ALPS 11MM 10K MIC LAW 37.5MM	DM1398
P901	ALPS 9MM VRT SHRT-D 20KB CDCOL	DM1250
P902	ALPS 11MM VERT 200KCX2 HIGH/D	DM1323
P903	ALPS 9MM VRT SHRT-D 20KB CDCOL	DM1250
P904	ALPS 9MM VRT SHRT-D 20KB CDCOL	DM1250
P905	ALPS 100MM M/FDR SPT +DC +ETS +WB	DD0458
P906	ALPS 14MM VERT 10KAC C/D DU HD	DM1322
P907	ALPS 12MM 20KK DUAL	DM1355
P908	ALPS 12MM 20KK DUAL	DM1355
R113	MF 0.25W RES 1% 6K8 BL	AP1369
R114	MF 0.25W RES 1% 6K8 BL	AP1369
R213	MF 0.25W RES 1% 6K8 BL	AP1369
R214	MF 0.25W RES 1% 6K8 BL	AP1369
R313	MF 0.25W RES 1% 6K8 BL	AP1369
R314	MF 0.25W RES 1% 6K8 BL	AP1369
R413	MF 0.25W RES 1% 6K8 BL	AP1369
R414	MF 0.25W RES 1% 6K8 BL	AP1369
R513	MF 0.25W RES 1% 6K8 BL	AP1369
R514	MF 0.25W RES 1% 6K8 BL	AP1369
R613	MF 0.25W RES 1% 6K8 BL	AP1369
R614	MF 0.25W RES 1% 6K8 BL	AP1369
R713	MF 0.25W RES 1% 6K8 BL	AP1369

R714	MF 0.25W RES 1% 6K8 BL	API369
R813	MF 0.25W RES 1% 6K8 BL	API369
R814	MF 0.25W RES 1% 6K8 BL	API369
R913	MF 0.25W RES 1% 6K8 BL	API369
R914	MF 0.25W RES 1% 6K8 BL	API369
R1013	MF 0.25W RES 1% 6K8 BL	API369
R1014	MF 0.25W RES 1% 6K8 BL	API369
R1113	MF 0.25W RES 1% 6K8 BL	API369
R1114	MF 0.25W RES 1% 6K8 BL	API369
R1213	MF 0.25W RES 1% 6K8 BL	API369
R1214	MF 0.25W RES 1% 6K8 BL	API369
SW1	ALPS SWITCH L/TRAVEL VERT	DF0660
SW2	ALPS SWITCH L/TRAVEL VERT	DF0660
SW3	ALPS SWITCH L/TRAVEL VERT	DF0660
SW4	ALPS SWITCH L/TRAVEL VERT	DF0660
SW5	ALPS SWITCH L/TRAVEL VERT	DF0660
SW100	ALPS SWITCH L/TRAVEL VERT	DF0660
SW1000	ALPS SWITCH L/TRAVEL VERT	DF0660
SW1001	ALPS SWITCH L/TRAVEL VERT	DF0660
SW101	ALPS SWITCH L/TRAVEL VERT	DF0660
SW1100	ALPS SWITCH L/TRAVEL VERT	DF0660
SW1101	ALPS SWITCH L/TRAVEL VERT	DF0660
SW1200	ALPS SWITCH L/TRAVEL VERT	DF0660
SW1201	ALPS SWITCH L/TRAVEL VERT	DF0660
SW1300	ALPS SWITCH L/TRAVEL VERT	DF0660
SW1301	ALPS SWITCH L/TRAVEL VERT	DF0660
SW1400	ALPS SWITCH L/TRAVEL VERT	DF0660
SW1401	ALPS SWITCH L/TRAVEL VERT	DF0660
SW200	ALPS SWITCH L/TRAVEL VERT	DF0660
SW201	ALPS SWITCH L/TRAVEL VERT	DF0660
SW300	ALPS SWITCH L/TRAVEL VERT	DF0660
SW301	ALPS SWITCH L/TRAVEL VERT	DF0660
SW400	ALPS SWITCH L/TRAVEL VERT	DF0660
SW401	ALPS SWITCH L/TRAVEL VERT	DF0660
SW500	ALPS SWITCH L/TRAVEL VERT	DF0660
SW501	ALPS SWITCH L/TRAVEL VERT	DF0660
SW600	ALPS SWITCH L/TRAVEL VERT	DF0660
SW601	ALPS SWITCH L/TRAVEL VERT	DF0660
SW700	ALPS SWITCH L/TRAVEL VERT	DF0660
SW701	ALPS SWITCH L/TRAVEL VERT	DF0660
SW800	ALPS SWITCH L/TRAVEL VERT	DF0660
SW801	ALPS SWITCH L/TRAVEL VERT	DF0660
SW900	ALPS SWITCH L/TRAVEL VERT	DF0660
SW901	ALPS SWITCH L/TRAVEL VERT	DF0660
TR100	PNP TRANS 2SB737 LOW RBB	BD0346
TR1000	PNP TRANS 2SB737 LOW RBB	BD0346
TR1001	PNP TRANS 2SB737 LOW RBB	BD0346
TR101	PNP TRANS 2SB737 LOW RBB	BD0346
TR1100	PNP TRANS 2SB737 LOW RBB	BD0346
TR1101	PNP TRANS 2SB737 LOW RBB	BD0346
TR1200	PNP TRANS 2SB737 LOW RBB	BD0346
TR1201	PNP TRANS 2SB737 LOW RBB	BD0346
TR200	PNP TRANS 2SB737 LOW RBB	BD0346
TR201	PNP TRANS 2SB737 LOW RBB	BD0346
TR300	PNP TRANS 2SB737 LOW RBB	BD0346
TR301	PNP TRANS 2SB737 LOW RBB	BD0346
TR400	PNP TRANS 2SB737 LOW RBB	BD0346
TR401	PNP TRANS 2SB737 LOW RBB	BD0346
TR500	PNP TRANS 2SB737 LOW RBB	BD0346
TR501	PNP TRANS 2SB737 LOW RBB	BD0346
TR600	PNP TRANS 2SB737 LOW RBB	BD0346
TR601	PNP TRANS 2SB737 LOW RBB	BD0346
TR700	PNP TRANS 2SB737 LOW RBB	BD0346
TR701	PNP TRANS 2SB737 LOW RBB	BD0346
TR800	PNP TRANS 2SB737 LOW RBB	BD0346
TR801	PNP TRANS 2SB737 LOW RBB	BD0346
TR900	PNP TRANS 2SB737 LOW RBB	BD0346
TR901	PNP TRANS 2SB737 LOW RBB	BD0346

ES MAIN PCB ASSY.

Ident	Description
---	ES MAIN PCB ASSY.

R-S2003A-02-AF

Part Number
R-S2003A-02-SM

C5	VERT ELEC SSP 10UF/16V	CE0448
C6	VERT ELEC SSP 10UF/16V	CE0448
C7	VERT ELEC 33UF/16V SSP	CE0457
C8	VERT ELEC 33UF/16V SSP	CE0457
C11	VERT ELEC SSP 10UF/16V	CE0448
C12	VERT ELEC SSP 10UF/16V	CE0448
C21	VERT ELEC SSP 10UF/16V	CE0448
C22	VERT ELEC SSP 10UF/16V	CE0448
C23	VERT ELEC 33UF/16V SSP	CE0457
C25	VERT ELEC 0.2" 47UF 63V SKP	CE0402
C27	VERT ELEC 10UF/63V 5X11MMSKP	CE0462
C29	VERT ELEC 33UF/16V SSP	CE0457
C100	CAP ELEC 3300UF 6.3V SMR	CE10044
C101	VERT ELEC 0.2" 47UF 63V SKP	CE0402
C102	VERT ELEC 0.2" 47UF 63V SKP	CE0402
C107	MICRO-BOX 5MM 5% 63V 3N3	CC0241
C108	MICRO-BOX 5MM 5% 63V 10N	CC0244
C109	MICRO-BOX 5MM 5% 63V 68N	CC0249
C110	MICRO-BOX 5MM 5% 63V 2N2	CC0240
C111	MICRO-BOX 5MM 5% 63V 2N2	CC0240
C112	VERT ELEC 33UF/16V SSP	CE0457
C115	VERT ELEC SSP 10UF/16V	CE0448
C119	VERT ELECT 4.7UF 50V SKP	CE0440
C200	CAP ELEC 3300UF 6.3V SMR	CE10044
C201	VERT ELEC 0.2" 47UF 63V SKP	CE0402
C202	VERT ELEC 0.2" 47UF 63V SKP	CE0402
C207	MICRO-BOX 5MM 5% 63V 3N3	CC0241
C208	MICRO-BOX 5MM 5% 63V 10N	CC0244
C209	MICRO-BOX 5MM 5% 63V 68N	CC0249
C210	MICRO-BOX 5MM 5% 63V 2N2	CC0240
C211	MICRO-BOX 5MM 5% 63V 2N2	CC0240
C212	VERT ELEC 33UF/16V SSP	CE0457
C215	VERT ELEC SSP 10UF/16V	CE0448
C219	VERT ELECT 4.7UF 50V SKP	CE0440
C300	CAP ELEC 3300UF 6.3V SMR	CE10044
C301	VERT ELEC 0.2" 47UF 63V SKP	CE0402
C302	VERT ELEC 0.2" 47UF 63V SKP	CE0402
C307	MICRO-BOX 5MM 5% 63V 3N3	CC0241
C308	MICRO-BOX 5MM 5% 63V 10N	CC0244
C309	MICRO-BOX 5MM 5% 63V 68N	CC0249
C310	MICRO-BOX 5MM 5% 63V 2N2	CC0240
C311	MICRO-BOX 5MM 5% 63V 2N2	CC0240
C312	VERT ELEC 33UF/16V SSP	CE0457
C315	VERT ELEC SSP 10UF/16V	CE0448
C319	VERT ELECT 4.7UF 50V SKP	CE0440
C400	CAP ELEC 3300UF 6.3V SMR	CE10044
C401	VERT ELEC 0.2" 47UF 63V SKP	CE0402
C402	VERT ELEC 0.2" 47UF 63V SKP	CE0402
C407	MICRO-BOX 5MM 5% 63V 3N3	CC0241
C408	MICRO-BOX 5MM 5% 63V 10N	CC0244
C409	MICRO-BOX 5MM 5% 63V 68N	CC0249
C410	MICRO-BOX 5MM 5% 63V 2N2	CC0240
C411	MICRO-BOX 5MM 5% 63V 2N2	CC0240
C412	VERT ELEC 33UF/16V SSP	CE0457
C415	VERT ELEC SSP 10UF/16V	CE0448
C419	VERT ELECT 4.7UF 50V SKP	CE0440
C501	MICRO-BOX 5MM 5% 63V 4N7	CC0242
C502	MICRO-BOX 5MM 5% 63V 4N7	CC0242
C503	VERT ELEC 0.2"TPD 100UF 10V SK	CE0403
C504	VERT ELEC 0.2"TPD 100UF 10V SK	CE0403
C505	VERT ELECT 4.7UF 50V SKP	CE0440
C510	MICRO-BOX 5MM 5% 63V 68N	CC0249
C511	CAP ELEC 220UF 6.3V SVP	CE10045
C512	MICRO-BOX 5MM 5% 63V 68N	CC0249
C513	CAP ELEC 220UF 6.3V SVP	CE10045
C514	MICRO-BOX 5MM 5% 63V 15N	CC0245
C515	MICRO-BOX 5MM 5% 63V 15N	CC0245
C516	MICRO-BOX 5MM 5% 63V 15N	CC0245
C517	MICRO-BOX 5MM 5% 63V 15N	CC0245
C518	MICRO-BOX 5MM 5% 63V 3N3	CC0241
C519	MICRO-BOX 5MM 5% 63V 10N	CC0244
C520	VERT ELEC 0.2"TPD 100UF 10V SK	CE0403
C521	C/CAP 0.2"TAPE 100V 150PF	CA0045R

C522	C/CAP 0.2" TAPED 100V 150PF	CA0045R
C523	VERT ELEC 0.2" TPD 100UF 10V SK	CE0403
C524	MICRO-BOX 5MM 5% 63V 10N	CC0244
C525	MICRO-BOX 5MM 5% 63V 3N3	CC0241
C601	MICRO-BOX 5MM 5% 63V 4N7	CC0242
C602	MICRO-BOX 5MM 5% 63V 4N7	CC0242
C603	VERT ELEC 0.2" TPD 100UF 10V SK	CE0403
C604	VERT ELEC 0.2" TPD 100UF 10V SK	CE0403
C605	VERT ELECT 4.7UF 50V SKP	CE0440
C610	MICRO-BOX 5MM 5% 63V 68N	CC0249
C611	CAP ELEC 220UF 6.3V SVP	CE10045
C612	MICRO-BOX 5MM 5% 63V 68N	CC0249
C613	CAP ELEC 220UF 6.3V SVP	CE10045
C614	MICRO-BOX 5MM 5% 63V 15N	CC0245
C615	MICRO-BOX 5MM 5% 63V 15N	CC0245
C616	MICRO-BOX 5MM 5% 63V 15N	CC0245
C617	MICRO-BOX 5MM 5% 63V 15N	CC0245
C618	MICRO-BOX 5MM 5% 63V 3N3	CC0241
C619	MICRO-BOX 5MM 5% 63V 10N	CC0244
C620	VERT ELEC 0.2" TPD 100UF 10V SK	CE0403
C621	C/CAP 0.2" TAPED 100V 150PF	CA0045R
C622	C/CAP 0.2" TAPED 100V 150PF	CA0045R
C623	MICRO-BOX 5MM 5% 63V 3N3	CC0241
C624	MICRO-BOX 5MM 5% 63V 10N	CC0244
C625	VERT ELEC 0.2" TPD 100UF 10V SK	CE0403
C701	MICRO-BOX 5MM 5% 63V 4N7	CC0242
C702	MICRO-BOX 5MM 5% 63V 4N7	CC0242
C703	VERT ELEC 0.2" TPD 100UF 10V SK	CE0403
C704	VERT ELEC 0.2" TPD 100UF 10V SK	CE0403
C705	VERT ELECT 4.7UF 50V SKP	CE0440
C710	MICRO-BOX 5MM 5% 63V 68N	CC0249
C711	CAP ELEC 220UF 6.3V SVP	CE10045
C712	MICRO-BOX 5MM 5% 63V 68N	CC0249
C713	CAP ELEC 220UF 6.3V SVP	CE10045
C714	MICRO-BOX 5MM 5% 63V 15N	CC0245
C715	MICRO-BOX 5MM 5% 63V 15N	CC0245
C716	MICRO-BOX 5MM 5% 63V 15N	CC0245
C717	MICRO-BOX 5MM 5% 63V 15N	CC0245
C801	MICRO-BOX 5MM 5% 63V 4N7	CC0242
C802	MICRO-BOX 5MM 5% 63V 4N7	CC0242
C803	VERT ELEC 0.2" TPD 100UF 10V SK	CE0403
C804	VERT ELEC 0.2" TPD 100UF 10V SK	CE0403
C805	VERT ELECT 4.7UF 50V SKP	CE0440
C810	MICRO-BOX 5MM 5% 63V 68N	CC0249
C811	CAP ELEC 220UF 6.3V SVP	CE10045
C812	MICRO-BOX 5MM 5% 63V 68N	CC0249
C813	CAP ELEC 220UF 6.3V SVP	CE10045
C814	MICRO-BOX 5MM 5% 63V 15N	CC0245
C815	MICRO-BOX 5MM 5% 63V 15N	CC0245
C816	MICRO-BOX 5MM 5% 63V 15N	CC0245
C817	MICRO-BOX 5MM 5% 63V 15N	CC0245
C901	MICRO-BOX 5MM 5% 63V 4N7	CC0242
C902	MICRO-BOX 5MM 5% 63V 4N7	CC0242
C903	VERT ELEC 0.2" TPD 100UF 10V SK	CE0403
C904	VERT ELEC 0.2" TPD 100UF 10V SK	CE0403
C905	VERT ELECT 4.7UF 50V SKP	CE0440
C910	MICRO-BOX 5MM 5% 63V 68N	CC0249
C911	CAP ELEC 220UF 6.3V SVP	CE10045
C912	MICRO-BOX 5MM 5% 63V 68N	CC0249
C913	CAP ELEC 220UF 6.3V SVP	CE10045
C914	MICRO-BOX 5MM 5% 63V 15N	CC0245
C915	MICRO-BOX 5MM 5% 63V 15N	CC0245
C916	MICRO-BOX 5MM 5% 63V 15N	CC0245
C917	MICRO-BOX 5MM 5% 63V 15N	CC0245
C1001	MICRO-BOX 5MM 5% 63V 4N7	CC0242
C1002	MICRO-BOX 5MM 5% 63V 4N7	CC0242
C1003	VERT ELEC 0.2" TPD 100UF 10V SK	CE0403
C1004	VERT ELEC 0.2" TPD 100UF 10V SK	CE0403
C1005	VERT ELECT 4.7UF 50V SKP	CE0440
C1010	MICRO-BOX 5MM 5% 63V 68N	CC0249
C1011	CAP ELEC 220UF 6.3V SVP	CE10045
C1012	MICRO-BOX 5MM 5% 63V 68N	CC0249
C1013	CAP ELEC 220UF 6.3V SVP	CE10045

C1014	MICRO-BOX 5MM 5% 63V 15N	CC0245
C1015	MICRO-BOX 5MM 5% 63V 15N	CC0245
C1016	MICRO-BOX 5MM 5% 63V 15N	CC0245
C1017	MICRO-BOX 5MM 5% 63V 15N	CC0245
C1101	MICRO-BOX 5MM 5% 63V 4N7	CC0242
C1102	MICRO-BOX 5MM 5% 63V 4N7	CC0242
C1103	VERT ELEC 0.2"TPD 100UF 10V SK	CE0403
C1104	VERT ELEC 0.2"TPD 100UF 10V SK	CE0403
C1105	VERT ELECT 4.7UF 50V SKP	CE0440
C1110	MICRO-BOX 5MM 5% 63V 68N	CC0249
C1111	CAP ELEC 220UF 6.3V SVP	CE10045
C1112	MICRO-BOX 5MM 5% 63V 68N	CC0249
C1113	CAP ELEC 220UF 6.3V SVP	CE10045
C1114	MICRO-BOX 5MM 5% 63V 15N	CC0245
C1115	MICRO-BOX 5MM 5% 63V 15N	CC0245
C1116	MICRO-BOX 5MM 5% 63V 15N	CC0245
C1117	MICRO-BOX 5MM 5% 63V 15N	CC0245
C1201	MICRO-BOX 5MM 5% 63V 4N7	CC0242
C1202	MICRO-BOX 5MM 5% 63V 4N7	CC0242
C1203	VERT ELEC 0.2"TPD 100UF 10V SK	CE0403
C1204	VERT ELEC 0.2"TPD 100UF 10V SK	CE0403
C1205	VERT ELECT 4.7UF 50V SKP	CE0440
C1210	MICRO-BOX 5MM 5% 63V 68N	CC0249
C1211	CAP ELEC 220UF 6.3V SVP	CE10045
C1212	MICRO-BOX 5MM 5% 63V 68N	CC0249
C1213	CAP ELEC 220UF 6.3V SVP	CE10045
C1214	MICRO-BOX 5MM 5% 63V 15N	CC0245
C1215	MICRO-BOX 5MM 5% 63V 15N	CC0245
C1216	MICRO-BOX 5MM 5% 63V 15N	CC0245
C1217	MICRO-BOX 5MM 5% 63V 15N	CC0245
C1301	MICRO-BOX 5MM 5% 63V 4N7	CC0242
C1302	MICRO-BOX 5MM 5% 63V 4N7	CC0242
C1303	VERT ELEC 0.2"TPD 100UF 10V SK	CE0403
C1304	VERT ELEC 0.2"TPD 100UF 10V SK	CE0403
C1305	VERT ELECT 4.7UF 50V SKP	CE0440
C1310	MICRO-BOX 5MM 5% 63V 68N	CC0249
C1311	CAP ELEC 220UF 6.3V SVP	CE10045
C1312	MICRO-BOX 5MM 5% 63V 68N	CC0249
C1313	CAP ELEC 220UF 6.3V SVP	CE10045
C1314	MICRO-BOX 5MM 5% 63V 15N	CC0245
C1315	MICRO-BOX 5MM 5% 63V 15N	CC0245
C1316	MICRO-BOX 5MM 5% 63V 15N	CC0245
C1317	MICRO-BOX 5MM 5% 63V 15N	CC0245
C1401	MICRO-BOX 5MM 5% 63V 4N7	CC0242
C1402	MICRO-BOX 5MM 5% 63V 4N7	CC0242
C1403	VERT ELEC 0.2"TPD 100UF 10V SK	CE0403
C1404	VERT ELEC 0.2"TPD 100UF 10V SK	CE0403
C1405	VERT ELECT 4.7UF 50V SKP	CE0440
C1410	MICRO-BOX 5MM 5% 63V 68N	CC0249
C1411	CAP ELEC 220UF 6.3V SVP	CE10045
C1412	MICRO-BOX 5MM 5% 63V 68N	CC0249
C1413	CAP ELEC 220UF 6.3V SVP	CE10045
C1414	MICRO-BOX 5MM 5% 63V 15N	CC0245
C1415	MICRO-BOX 5MM 5% 63V 15N	CC0245
C1416	MICRO-BOX 5MM 5% 63V 15N	CC0245
C1417	MICRO-BOX 5MM 5% 63V 15N	CC0245
CN1	XLR A-SRS PLASTIC ML PIN1 GND	FK0970
CN2	XLR A-SRS PLASTIC ML PIN1 GND	FK0970
CN3	JACK SKT STEREO 3PIN LIH SHENG	FH0792
CN4	JACK SKT STEREO 3PIN LIH SHENG	FH0792
CN5	JACK SKT STEREO 3PIN LIH SHENG	FH0792
CN6	JACK SKT STEREO 3PIN LIH SHENG	FH0792
CN7	JACK SKT STEREO 3PIN LIH SHENG	FH0792
CN8	QUAD PC PHONO SKT PHS12D	FH0755
CN9	2MM 5WY VERT ML HDR CHINA	FF10097
CN10	JACK SKT STEREO 5PIN LIH SHENG	FH0793
CN11	JACK SKT STEREO 5PIN LIH SHENG	FH0793
CN100	XLR CON FML VERT	FK0967
CN101	JACK SKT STEREO 3PIN LIH SHENG	FH0792
CN102	JACK SKT STEREO 5PIN LIH SHENG	FH0793
CN200	XLR CON FML VERT	FK0967
CN201	JACK SKT STEREO 3PIN LIH SHENG	FH0792
CN202	JACK SKT STEREO 5PIN LIH SHENG	FH0793

CN300	XLR CON FML VERT	FK0967
CN301	JACK SKT STEREO 3PIN LIH SHENG	FH0792
CN302	JACK SKT STEREO 5PIN LIH SHENG	FH0793
CN400	XLR CON FML VERT	FK0967
CN401	JACK SKT STEREO 3PIN LIH SHENG	FH0792
CN402	JACK SKT STEREO 5PIN LIH SHENG	FH0793
CN500	JACK SKT STEREO 5PIN LIH SHENG	FH0793
CN501	JACK SKT STEREO 5PIN LIH SHENG	FH0793
CN503	DUAL PC PHONO VERT 24MM CLIFF	FH0768
CN600	JACK SKT STEREO 5PIN LIH SHENG	FH0793
CN601	JACK SKT STEREO 5PIN LIH SHENG	FH0793
CN603	DUAL PC PHONO VERT 24MM CLIFF	FH0768
CN700	JACK SKT STEREO 5PIN LIH SHENG	FH0793
CN701	JACK SKT STEREO 5PIN LIH SHENG	FH0793
CN703	DUAL PC PHONO VERT 24MM CLIFF	FH0768
CN800	JACK SKT STEREO 5PIN LIH SHENG	FH0793
CN801	JACK SKT STEREO 5PIN LIH SHENG	FH0793
CN803	DUAL PC PHONO VERT 24MM CLIFF	FH0768
CN900	JACK SKT STEREO 5PIN LIH SHENG	FH0793
CN901	JACK SKT STEREO 5PIN LIH SHENG	FH0793
CN903	DUAL PC PHONO VERT 24MM CLIFF	FH0768
CN1000	JACK SKT STEREO 5PIN LIH SHENG	FH0793
CN1001	JACK SKT STEREO 5PIN LIH SHENG	FH0793
CN1003	DUAL PC PHONO VERT 24MM CLIFF	FH0768
CN1100	JACK SKT STEREO 5PIN LIH SHENG	FH0793
CN1101	JACK SKT STEREO 3PIN LIH SHENG	FH0792
CN1200	JACK SKT STEREO 5PIN LIH SHENG	FH0793
CN1201	JACK SKT STEREO 3PIN LIH SHENG	FH0792
CN1300	JACK SKT STEREO 5PIN LIH SHENG	FH0793
CN1301	JACK SKT STEREO 3PIN LIH SHENG	FH0792
CN1400	JACK SKT STEREO 5PIN LIH SHENG	FH0793
CN1401	JACK SKT STEREO 3PIN LIH SHENG	FH0792
LD1	LED RED 3MM S/B UNPRE	JA0100
LD2	LED GREEN 3MM S/B UNPRE	JA0101
LD3	LED GREEN 3MM S/B UNPRE	JA0101
LD4	LED GREEN 3MM S/B UNPRE	JA0101
LD5	LED GREEN 3MM S/B UNPRE	JA0101
LD6	LED GREEN 3MM S/B UNPRE	JA0101
LD7	LED AMBER 3MM S/B UNPRE	JA0126
LD8	LED AMBER 3MM S/B UNPRE	JA0126
LD9	LED AMBER 3MM S/B UNPRE	JA0126
LD10	LED RED 3MM S/B UNPRE	JA0100
LD11	LED RED 3MM S/B UNPRE	JA0100
LD12	LED GREEN 3MM S/B UNPRE	JA0101
LD13	LED GREEN 3MM S/B UNPRE	JA0101
LD14	LED GREEN 3MM S/B UNPRE	JA0101
LD15	LED GREEN 3MM S/B UNPRE	JA0101
LD16	LED GREEN 3MM S/B UNPRE	JA0101
LD17	LED AMBER 3MM S/B UNPRE	JA0126
LD18	LED AMBER 3MM S/B UNPRE	JA0126
LD19	LED AMBER 3MM S/B UNPRE	JA0126
LD20	LED RED 3MM S/B UNPRE	JA0100
LD21	LED RED 3MM S/B UNPRE	JA0100
LD22	LED GREEN 3MM S/B UNPRE	JA0101
LD23	LED RED 3MM S/B UNPRE	JA0100
LD100	LED RED 3MM S/B UNPRE	JA0100
LD1000	LED RED 3MM S/B UNPRE	JA0100
LD1100	LED RED 3MM S/B UNPRE	JA0100
LD1200	LED RED 3MM S/B UNPRE	JA0100
LD1300	LED RED 3MM S/B UNPRE	JA0100
LD1400	LED RED 3MM S/B UNPRE	JA0100
LD200	LED RED 3MM S/B UNPRE	JA0100
LD300	LED RED 3MM S/B UNPRE	JA0100
LD400	LED RED 3MM S/B UNPRE	JA0100
LD500	LED RED 3MM S/B UNPRE	JA0100
LD600	LED RED 3MM S/B UNPRE	JA0100
LD700	LED RED 3MM S/B UNPRE	JA0100
LD800	LED RED 3MM S/B UNPRE	JA0100
LD900	LED RED 3MM S/B UNPRE	JA0100
P1	ALPS 12MM 20KK DUAL	DM1355
P2	ALPS 12MM 20KK DUAL	DM1355
P3	ALPS 100MM M/FDR SPT + DC + ETS + WB	DD0458
P4	ALPS 100MM M/FDR SPT + DC + ETS + WB	DD0458

P100	ALPS 11MM 10K MIC LAW 37.5MM	DM1398
P1000	ALPS 100MM 10KDX2 PC MNT+DC	DD0441
P1001	ALPS 12MM VERT 20KBX2	DM1380
P1002	ALPS 12MM 20KK DUAL	DM1355
P1003	ALPS 12MM 20KK DUAL	DM1355
P1004	ALPS 12MM VERT 20KBX2	DM1380
P1005	ALPS 14MM VERT 20KWX2 37.5MM	DM1381
P1006	ALPS 14MM VERT 10KAC C/D DU HD	DM1322
P1007	ALPS 12MM VERT 20KBX2	DM1380
P101	ALPS 9MM VRT SHRT-D 20KB CDCOL	DM1250
P102	ALPS 11MM VERT 200KCX2 HIGH/D	DM1323
P103	ALPS 9MM VRT SHRT-D 20KB CDCOL	DM1250
P104	ALPS 9MM VRT SHRT-D 20KB CDCOL	DM1250
P105	ALPS 100MM M/FDR SPT+DC+ETS+WB	DD0458
P106	ALPS 14MM VERT 10KAC C/D DU HD	DM1322
P107	ALPS 12MM 20KK DUAL	DM1355
P108	ALPS 12MM 20KK DUAL	DM1355
P1100	ALPS 100MM 10KDX2 PC MNT+DC	DD0441
P1101	ALPS 12MM VERT 20KBX2	DM1380
P1102	ALPS 12MM 20KK DUAL	DM1355
P1103	ALPS 12MM 20KK DUAL	DM1355
P1104	ALPS 12MM VERT 20KBX2	DM1380
P1105	ALPS 14MM VERT 20KWX2 37.5MM	DM1381
P1106	ALPS 14MM VERT 10KAC C/D DU HD	DM1322
P1107	ALPS 12MM VERT 20KBX2	DM1380
P1200	ALPS 100MM 10KDX2 PC MNT+DC	DD0441
P1201	ALPS 12MM VERT 20KBX2	DM1380
P1202	ALPS 12MM 20KK DUAL	DM1355
P1203	ALPS 12MM 20KK DUAL	DM1355
P1204	ALPS 12MM VERT 20KBX2	DM1380
P1205	ALPS 14MM VERT 20KWX2 37.5MM	DM1381
P1206	ALPS 14MM VERT 10KAC C/D DU HD	DM1322
P1207	ALPS 12MM VERT 20KBX2	DM1380
P1300	ALPS 100MM 10KDX2 PC MNT+DC	DD0441
P1301	ALPS 12MM VERT 20KBX2	DM1380
P1302	ALPS 12MM 20KK DUAL	DM1355
P1303	ALPS 12MM 20KK DUAL	DM1355
P1304	ALPS 12MM VERT 20KBX2	DM1380
P1305	ALPS 14MM VERT 20KWX2 37.5MM	DM1381
P1306	ALPS 14MM VERT 10KAC C/D DU HD	DM1322
P1307	ALPS 12MM VERT 20KBX2	DM1380
P1400	ALPS 100MM 10KDX2 PC MNT+DC	DD0441
P1401	ALPS 12MM VERT 20KBX2	DM1380
P1402	ALPS 12MM 20KK DUAL	DM1355
P1403	ALPS 12MM 20KK DUAL	DM1355
P1404	ALPS 12MM VERT 20KBX2	DM1380
P1405	ALPS 14MM VERT 20KWX2 37.5MM	DM1381
P1406	ALPS 14MM VERT 10KAC C/D DU HD	DM1322
P1407	ALPS 12MM VERT 20KBX2	DM1380
P200	ALPS 11MM 10K MIC LAW 37.5MM	DM1398
P201	ALPS 9MM VRT SHRT-D 20KB CDCOL	DM1250
P202	ALPS 11MM VERT 200KCX2 HIGH/D	DM1323
P203	ALPS 9MM VRT SHRT-D 20KB CDCOL	DM1250
P204	ALPS 9MM VRT SHRT-D 20KB CDCOL	DM1250
P205	ALPS 100MM M/FDR SPT+DC+ETS+WB	DD0458
P206	ALPS 14MM VERT 10KAC C/D DU HD	DM1322
P207	ALPS 12MM 20KK DUAL	DM1355
P208	ALPS 12MM 20KK DUAL	DM1355
P300	ALPS 11MM 10K MIC LAW 37.5MM	DM1398
P301	ALPS 9MM VRT SHRT-D 20KB CDCOL	DM1250
P302	ALPS 11MM VERT 200KCX2 HIGH/D	DM1323
P303	ALPS 9MM VRT SHRT-D 20KB CDCOL	DM1250
P304	ALPS 9MM VRT SHRT-D 20KB CDCOL	DM1250
P305	ALPS 100MM M/FDR SPT+DC+ETS+WB	DD0458
P306	ALPS 14MM VERT 10KAC C/D DU HD	DM1322
P307	ALPS 12MM 20KK DUAL	DM1355
P308	ALPS 12MM 20KK DUAL	DM1355
P400	ALPS 11MM 10K MIC LAW 37.5MM	DM1398
P401	ALPS 9MM VRT SHRT-D 20KB CDCOL	DM1250
P402	ALPS 11MM VERT 200KCX2 HIGH/D	DM1323
P403	ALPS 9MM VRT SHRT-D 20KB CDCOL	DM1250
P404	ALPS 9MM VRT SHRT-D 20KB CDCOL	DM1250
P405	ALPS 100MM M/FDR SPT+DC+ETS+WB	DD0458

P406	ALPS 14MM VERT 10KAC C/D DU HD	DM1322
P407	ALPS 12MM 20KK DUAL	DM1355
P408	ALPS 12MM 20KK DUAL	DM1355
P500	ALPS 100MM 10KDX2 PC MNT+DC	DD0441
P501	ALPS 12MM VERT 20KBX2	DM1380
P502	ALPS 12MM 20KK DUAL	DM1355
P503	ALPS 12MM 20KK DUAL	DM1355
P504	ALPS 12MM VERT 20KBX2	DM1380
P505	ALPS 14MM VERT 20KWX2 37.5MM	DM1381
P506	ALPS 14MM VERT 10KAC C/D DU HD	DM1322
P507	ALPS 12MM VERT 20KBX2	DM1380
P600	ALPS 100MM 10KDX2 PC MNT+DC	DD0441
P601	ALPS 12MM VERT 20KBX2	DM1380
P602	ALPS 12MM 20KK DUAL	DM1355
P603	ALPS 12MM 20KK DUAL	DM1355
P604	ALPS 12MM VERT 20KBX2	DM1380
P605	ALPS 14MM VERT 20KWX2 37.5MM	DM1381
P606	ALPS 14MM VERT 10KAC C/D DU HD	DM1322
P607	ALPS 12MM VERT 20KBX2	DM1380
P700	ALPS 100MM 10KDX2 PC MNT+DC	DD0441
P701	ALPS 12MM VERT 20KBX2	DM1380
P702	ALPS 12MM 20KK DUAL	DM1355
P703	ALPS 12MM 20KK DUAL	DM1355
P704	ALPS 12MM VERT 20KBX2	DM1380
P705	ALPS 14MM VERT 20KWX2 37.5MM	DM1381
P706	ALPS 14MM VERT 10KAC C/D DU HD	DM1322
P707	ALPS 12MM VERT 20KBX2	DM1380
P800	ALPS 100MM 10KDX2 PC MNT+DC	DD0441
P801	ALPS 12MM VERT 20KBX2	DM1380
P802	ALPS 12MM 20KK DUAL	DM1355
P803	ALPS 12MM 20KK DUAL	DM1355
P804	ALPS 12MM VERT 20KBX2	DM1380
P805	ALPS 14MM VERT 20KWX2 37.5MM	DM1381
P806	ALPS 14MM VERT 10KAC C/D DU HD	DM1322
P807	ALPS 12MM VERT 20KBX2	DM1380
P900	ALPS 100MM 10KDX2 PC MNT+DC	DD0441
P901	ALPS 12MM VERT 20KBX2	DM1380
P902	ALPS 12MM 20KK DUAL	DM1355
P903	ALPS 12MM 20KK DUAL	DM1355
P904	ALPS 12MM VERT 20KBX2	DM1380
P905	ALPS 14MM VERT 20KWX2 37.5MM	DM1381
P906	ALPS 14MM VERT 10KAC C/D DU HD	DM1322
P907	ALPS 12MM VERT 20KBX2	DM1380
R113	MF 0.25W RES 1% 6K8 BL	API369
R114	MF 0.25W RES 1% 6K8 BL	API369
R213	MF 0.25W RES 1% 6K8 BL	API369
R214	MF 0.25W RES 1% 6K8 BL	API369
R313	MF 0.25W RES 1% 6K8 BL	API369
R314	MF 0.25W RES 1% 6K8 BL	API369
R413	MF 0.25W RES 1% 6K8 BL	API369
R414	MF 0.25W RES 1% 6K8 BL	API369
SW1	ALPS SWITCH L/TRAVEL VERT	DF0660
SW2	ALPS SWITCH L/TRAVEL VERT	DF0660
SW3	ALPS SWITCH L/TRAVEL VERT	DF0660
SW4	ALPS SWITCH L/TRAVEL VERT	DF0660
SW5	ALPS SWITCH L/TRAVEL VERT	DF0660
SW100	ALPS SWITCH L/TRAVEL VERT	DF0660
SW1000	ALPS SWITCH L/TRAVEL VERT	DF0660
SW1001	ALPS SWITCH L/TRAVEL VERT	DF0660
SW1002	ALPS SWITCH L/TRAVEL VERT	DF0660
SW101	ALPS SWITCH L/TRAVEL VERT	DF0660
SW1100	ALPS SWITCH L/TRAVEL VERT	DF0660
SW1101	ALPS SWITCH L/TRAVEL VERT	DF0660
SW1200	ALPS SWITCH L/TRAVEL VERT	DF0660
SW1201	ALPS SWITCH L/TRAVEL VERT	DF0660
SW1300	ALPS SWITCH L/TRAVEL VERT	DF0660
SW1301	ALPS SWITCH L/TRAVEL VERT	DF0660
SW1400	ALPS SWITCH L/TRAVEL VERT	DF0660
SW1401	ALPS SWITCH L/TRAVEL VERT	DF0660
SW200	ALPS SWITCH L/TRAVEL VERT	DF0660
SW201	ALPS SWITCH L/TRAVEL VERT	DF0660
SW300	ALPS SWITCH L/TRAVEL VERT	DF0660
SW301	ALPS SWITCH L/TRAVEL VERT	DF0660

SW400	ALPS SWITCH L/TRAVEL VERT	DF0660
SW401	ALPS SWITCH L/TRAVEL VERT	DF0660
SW500	ALPS SWITCH L/TRAVEL VERT	DF0660
SW501	ALPS SWITCH L/TRAVEL VERT	DF0660
SW600	ALPS SWITCH L/TRAVEL VERT	DF0660
SW601	ALPS SWITCH L/TRAVEL VERT	DF0660
SW700	ALPS SWITCH L/TRAVEL VERT	DF0660
SW701	ALPS SWITCH L/TRAVEL VERT	DF0660
SW702	ALPS SWITCH L/TRAVEL VERT	DF0660
SW800	ALPS SWITCH L/TRAVEL VERT	DF0660
SW801	ALPS SWITCH L/TRAVEL VERT	DF0660
SW802	ALPS SWITCH L/TRAVEL VERT	DF0660
SW900	ALPS SWITCH L/TRAVEL VERT	DF0660
SW901	ALPS SWITCH L/TRAVEL VERT	DF0660
SW902	ALPS SWITCH L/TRAVEL VERT	DF0660
TR100	PNP TRANS 2SB737 LOW RBB	BD0346
TR101	PNP TRANS 2SB737 LOW RBB	BD0346
TR200	PNP TRANS 2SB737 LOW RBB	BD0346
TR201	PNP TRANS 2SB737 LOW RBB	BD0346
TR300	PNP TRANS 2SB737 LOW RBB	BD0346
TR301	PNP TRANS 2SB737 LOW RBB	BD0346
TR400	PNP TRANS 2SB737 LOW RBB	BD0346
TR401	PNP TRANS 2SB737 LOW RBB	BD0346

E SERIES PSU

R-S2006A-03-AF

Ident	Description	Part Number
---	EARTH WIRE ASY/SHAKEPRF M3	L-B100B-01
---	PCB - E SERIES PSU	S-S2006A-03
BRI	DIODE BRIDGE 1.5A 400V W04	BC0217
C1	VERT ELEC 0.2" 47UF 63V SKP	CE0402
C2	M/LAYER CAP .1UF 63V	CA0026
C3	CRMC CAP 0.001MF	CA0015
C4	VERT ELEC 10UF/63V 5X11MMSKP	CE0462
C5	CRMC CAP 0.001MF	CA0015
C6	VERT ELEC 10UF/63V 5X11MMSKP	CE0462
C8	VERT ELEC 0.2" 47UF 63V SKP	CE0402
C11	M/LAYER CAP .1UF 63V	CA0026
C12	(Safety Critical Part)! POLYPROPYLENE 2200PF 250VAC (C	CC0288
C13	(Safety Critical Part)! POLYPROPYLENE 2200PF 250VAC (C	CC0288
C14	VERT ELEC 0.2 100UF/63V L/ESR	CE0498
C15	220 PF 1KV CAP C DISC CA-CP	CA10018
C16	POLYPROPYLENE 0.1UF 250VAC (CR	CC0289
C17	VERT ELEC 2200/25V 26X12MM SKR	CE0460
C18	VERT ELEC 10MM 100UF 400V	CE0488
C19	VERT ELEC 0.2" 470/25V LOW ESR	CE0490
C20	220 PF 1KV CAP C DISC CA-CP	CA10018
C21	VERT ELEC 2200/25V 26X12MM SKR	CE0460
C22	VERT ELEC 0.2" 470/25V LOW ESR	CE0490
C24	(Safety Critical Part)! CAP CER 1N 275VAC YI RAT	CC8005
CN1	PCB IEC INLET PX0580-PC	FJ0874
CN2	2MM 5WY VERT ML HDR CHINA	FF10097
D1	DIODE 1N4148	BA0001
D2	DIODE FAST 400V 1.7A BYD73G	BA0025
D3	DIODE SFI600 1A FAST XD01-	BA10008
D4	DIODE FAST 400V 1.7A BYD73G	BA0025
D5	DIODE FAST 400V 1.7A BYD73G	BA0025
D6	ZENER DIODE 1N5378BRL	BB0137
D7	DIODE FAST 400V 1.7A BYD73G	BA0025
FET1	PWR MOSFET STP7NB60FP	BD0398
IC1	UC3842A DIP8 SMPSU CONT	BE0525
L1	INDUCTOR 10UH TOKO R621LY-100K	HC0028
L2	(Safety Critical Part)! COMMON MODE CHOKE 3030R3	HC8000
L3	INDUCTOR 10UH TOKO R621LY-100K	HC0028
R1	MF 0.25W RES 1% 470R BL	AP1341
R2	MF 0.25W RES 1% 22R BL	AP1309
R3	RES 680R 5% 1W MF PRO1	AE10033
R4	RES 680R 5% 1W MF PRO1	AE10033
R5	MF 0.25W RES 1% 1K5 BL	AP1353
R6	MF 1W RES 5% 1R0	AE0010
R7	MF 1W RES 5% 1R0	AE0010
R8	MF 0.25W RES 1% 10K BL	AP1373
R9	MF 1W RES 5% 1R0	AE0010

R10	MF 0.25W RES 1% 10K BL	AP1373
R11	MF 0.25W RES 1% 11K BL	AP1374
R12	MF 0.25W RES 1% 33K BL	AP1385
R13	MF 2W RES 5% 150K	AE2154
R14	MF 1W RES 5% 10R PROI	AE0100
R15	MF 1W RES 5% 10R PROI	AE0100
TX1	TRANSF E SERIES SWICH MO DE	H-S2006A-02
TH1	(Safety Critical Part)! THERMISTER 3A INRUSH LIMITER	AZ2279
TR1	TRANSISTOR BC546BT NPN TAPED	BD0394R
TR2	ZTX651 NPN TRANSISTOR	BD10042

PCBS

E6 MAIN PCB ASSY.

Ident	Description	Part Number
---	PCB E6 MODULE	S-S2000A-02
C1	CAP CRMC 22PF 10% 50V NPO	CS1220R-0805K
C2	CAP CRMC 22PF 10% 50V NPO	CS1220R-0805K
C3	CAP CRMC 22PF 10% 50V NPO	CS1220R-0805K
C4	CAP CRMC 22PF 10% 50V NPO	CS1220R-0805K
C9	CAP CRMC 22PF 10% 50V NPO	CS1220R-0805K
C10	CAP CRMC 22PF 10% 50V NPO	CS1220R-0805K
C13	CAP CRMC 100NF 10% 50V X7R	CS7104R-0805K
C14	CAP CRMC 100NF 10% 50V X7R	CS7104R-0805K
C15	CAP CRMC 100NF 10% 50V X7R	CS7104R-0805K
C16	CAP CRMC 100NF 10% 50V X7R	CS7104R-0805K
C17	CAP CRMC 100NF 10% 50V X7R	CS7104R-0805K
C18	CAP CRMC 100NF 10% 50V X7R	CS7104R-0805K
C19	CAP CRMC 100NF 10% 50V X7R	CS7104R-0805K
C20	CAP CRMC 100NF 10% 50V X7R	CS7104R-0805K
C24	CAP CRMC 100NF 10% 50V X7R	CS7104R-0805K
C26	CAP CRMC 100NF 10% 50V X7R	CS7104R-0805K
C28	CAP CRMC 100NF 10% 50V X7R	CS7104R-0805K
C30	CAP CRMC 100NF 10% 50V X7R	CS7104R-0805K
C31	CAP CRMC 10NF 10% 50V X7R	CS7103R-0805K
C32	CAP CRMC 10NF 10% 50V X7R	CS7103R-0805K
C703	CAP CRMC 680PF 5% 50V	CS1681R-0805J
C704	CAP CRMC 680PF 5% 50V	CS1681R-0805J
C705	CAP CRMC 22PF 10% 50V NPO	CS1220R-0805K
C706	CAP CRMC 22PF 10% 50V NPO	CS1220R-0805K
C720	CAP CRMC 100NF 10% 50V X7R	CS7104R-0805K
C803	CAP CRMC 680PF 5% 50V	CS1681R-0805J
C804	CAP CRMC 680PF 5% 50V	CS1681R-0805J
C805	CAP CRMC 22PF 10% 50V NPO	CS1220R-0805K
C806	CAP CRMC 22PF 10% 50V NPO	CS1220R-0805K
C820	CAP CRMC 100NF 10% 50V X7R	CS7104R-0805K
C903	CAP CRMC 680PF 5% 50V	CS1681R-0805J
C904	CAP CRMC 680PF 5% 50V	CS1681R-0805J
C905	CAP CRMC 22PF 10% 50V NPO	CS1220R-0805K
C906	CAP CRMC 22PF 10% 50V NPO	CS1220R-0805K
C916	CAP CRMC 100NF 10% 50V X7R	CS7104R-0805K
C920	CAP CRMC 100NF 10% 50V X7R	CS7104R-0805K
C1003	CAP CRMC 680PF 5% 50V	CS1681R-0805J
C1004	CAP CRMC 680PF 5% 50V	CS1681R-0805J
C1005	CAP CRMC 22PF 10% 50V NPO	CS1220R-0805K
C1006	CAP CRMC 22PF 10% 50V NPO	CS1220R-0805K
C1016	CAP CRMC 100NF 10% 50V X7R	CS7104R-0805K
C1020	CAP CRMC 100NF 10% 50V X7R	CS7104R-0805K
C1103	CAP CRMC 680PF 5% 50V	CS1681R-0805J
C1104	CAP CRMC 680PF 5% 50V	CS1681R-0805J
C1105	CAP CRMC 22PF 10% 50V NPO	CS1220R-0805K
C1106	CAP CRMC 22PF 10% 50V NPO	CS1220R-0805K
C1113	CAP CRMC 22PF 10% 50V NPO	CS1220R-0805K
C1114	CAP CRMC 22PF 10% 50V NPO	CS1220R-0805K
C1120	CAP CRMC 100NF 10% 50V X7R	CS7104R-0805K
C1203	CAP CRMC 680PF 5% 50V	CS1681R-0805J
C1204	CAP CRMC 680PF 5% 50V	CS1681R-0805J
C1205	CAP CRMC 22PF 10% 50V NPO	CS1220R-0805K
C1206	CAP CRMC 22PF 10% 50V NPO	CS1220R-0805K
C1220	CAP CRMC 100NF 10% 50V X7R	CS7104R-0805K
C1300	CAP CRMC 100NF 10% 50V X7R	CS7104R-0805K
C1307	CAP CRMC 680PF 5% 50V	CS1681R-0805J
C1308	CAP CRMC 680PF 5% 50V	CS1681R-0805J
C1309	CAP CRMC 680PF 5% 50V	CS1681R-0805J
C1310	CAP CRMC 680PF 5% 50V	CS1681R-0805J
C1400	CAP CRMC 100NF 10% 50V X7R	CS7104R-0805K
C1407	CAP CRMC 680PF 5% 50V	CS1681R-0805J
C1408	CAP CRMC 680PF 5% 50V	CS1681R-0805J
C1409	CAP CRMC 680PF 5% 50V	CS1681R-0805J
C1410	CAP CRMC 680PF 5% 50V	CS1681R-0805J

R-S2000A-02-SM

D1	BAV70 SM DUAL DIODE COM CATH	BS0013R-SOT23
D2	BAV70 SM DUAL DIODE COM CATH	BS0013R-SOT23
D1000	BAV70 SM DUAL DIODE COM CATH	BS0013R-SOT23
D1001	BAV70 SM DUAL DIODE COM CATH	BS0013R-SOT23
D1003	BAV70 SM DUAL DIODE COM CATH	BS0013R-SOT23
D1004	BAV70 SM DUAL DIODE COM CATH	BS0013R-SOT23
D1100	BAV70 SM DUAL DIODE COM CATH	BS0013R-SOT23
D1101	BAV70 SM DUAL DIODE COM CATH	BS0013R-SOT23
D1103	BAV70 SM DUAL DIODE COM CATH	BS0013R-SOT23
D1104	BAV70 SM DUAL DIODE COM CATH	BS0013R-SOT23
D1200	BAV70 SM DUAL DIODE COM CATH	BS0013R-SOT23
D1201	BAV70 SM DUAL DIODE COM CATH	BS0013R-SOT23
D1203	BAV70 SM DUAL DIODE COM CATH	BS0013R-SOT23
D1204	BAV70 SM DUAL DIODE COM CATH	BS0013R-SOT23
D1300	BAV70 SM DUAL DIODE COM CATH	BS0013R-SOT23
D1301	BAV70 SM DUAL DIODE COM CATH	BS0013R-SOT23
D1400	BAV70 SM DUAL DIODE COM CATH	BS0013R-SOT23
D1401	BAV70 SM DUAL DIODE COM CATH	BS0013R-SOT23
D700	BAV70 SM DUAL DIODE COM CATH	BS0013R-SOT23
D701	BAV70 SM DUAL DIODE COM CATH	BS0013R-SOT23
D703	BAV70 SM DUAL DIODE COM CATH	BS0013R-SOT23
D704	BAV70 SM DUAL DIODE COM CATH	BS0013R-SOT23
D800	BAV70 SM DUAL DIODE COM CATH	BS0013R-SOT23
D801	BAV70 SM DUAL DIODE COM CATH	BS0013R-SOT23
D803	BAV70 SM DUAL DIODE COM CATH	BS0013R-SOT23
D804	BAV70 SM DUAL DIODE COM CATH	BS0013R-SOT23
D900	BAV70 SM DUAL DIODE COM CATH	BS0013R-SOT23
D901	BAV70 SM DUAL DIODE COM CATH	BS0013R-SOT23
D903	BAV70 SM DUAL DIODE COM CATH	BS0013R-SOT23
D904	BAV70 SM DUAL DIODE COM CATH	BS0013R-SOT23
IC1	NE5532 SM DUAL OP AMP	BS7009R-SO8
IC2	TL072CD SM DUAL OP AMP	BS7001R-SO8
IC3	NE5532 SM DUAL OP AMP	BS7009R-SO8
IC4	NE5532 SM DUAL OP AMP	BS7009R-SO8
IC5	74HC4053 TRIPLE SPDT SWTCS\MTD	BS10035
IC6	NE5532 SM DUAL OP AMP	BS7009R-SO8
IC7	NE5532 SM DUAL OP AMP	BS7009R-SO8
IC8	NE5532 SM DUAL OP AMP	BS7009R-SO8
IC9	TL072CD SM DUAL OP AMP	BS7001R-SO8
IC10	LM2901 SM QUAD COMARATOR	BS7007R-SO14
IC11	LM2901 SM QUAD COMARATOR	BS7007R-SO14
IC12	LM2901 SM QUAD COMARATOR	BS7007R-SO14
IC13	LM2901 SM QUAD COMARATOR	BS7007R-SO14
IC14	LM2901 SM QUAD COMARATOR	BS7007R-SO14
IC1000	TL074A SM QUAD OP-AMP	BS7002
IC1100	TL074A SM QUAD OP-AMP	BS7002
IC1200	TL074A SM QUAD OP-AMP	BS7002
IC1300	TL072CD SM DUAL OP AMP	BS7001R-SO8
IC1301	TL072CD SM DUAL OP AMP	BS7001R-SO8
IC1302	TL072CD SM DUAL OP AMP	BS7001R-SO8
IC1400	TL072CD SM DUAL OP AMP	BS7001R-SO8
IC1401	TL072CD SM DUAL OP AMP	BS7001R-SO8
IC1402	TL072CD SM DUAL OP AMP	BS7001R-SO8
IC700	TL074A SM QUAD OP-AMP	BS7002
IC800	TL074A SM QUAD OP-AMP	BS7002
IC900	TL074A SM QUAD OP-AMP	BS7002
R1	SM0805 RES 1K5 1% 0.1W T200	AS0152R-0805F
R2	SM0805 RES 1K5 1% 0.1W T200	AS0152R-0805F
R3	SM0805 RES 3K3 1% 0.1W T200	AS0332R-0805F
R4	SM0805 RES 3K3 1% 0.1W T200	AS0332R-0805F
R5	SM0805 RES 8K2 1% 0.1W T200	AS0822R-0805F
R6	SM0805 RES 8K2 1% 0.1W T200	AS0822R-0805F
R7	SM0805 RES 75R 1% 0.1W T200	AS0750R-0805F
R3	SM0805 RES 75R 1% 0.1W T200	AS0750R-0805F
R9	SM0805 RES 75R 1% 0.1W T200	AS0750R-0805F
R10	SM0805 RES 75R 1% 0.1W T200	AS0750R-0805F
R11	SM0805 RES 1K2 1% 0.1W T200	AS0122R-0805F
R12	SM0805 RES 20K 1% 0.1W T200	AS0203R-0805F
R13	SM0805 RES 20K 1% 0.1W T200	AS0203R-0805F
R14	SM0805 RES 10K 1% 0.1W T200	AS0103R-0805F
R15	SM0805 RES 10K 1% 0.1W T200	AS0103R-0805F
R16	SM0805 RES 20K 1% 0.1W T200	AS0203R-0805F
R17	SM0805 RES 20K 1% 0.1W T200	AS0203R-0805F

R18	SM0805 RES 75R 1% 0.1W T200	AS0750R-0805F
R19	SM0805 RES 75R 1% 0.1W T200	AS0750R-0805F
R20	SM0805 RES 75R 1% 0.1W T200	AS0750R-0805F
R21	SM0805 RES 75R 1% 0.1W T200	AS0750R-0805F
R22	SM0805 RES 20K 1% 0.1W T200	AS0203R-0805F
R23	SM0805 RES 20K 1% 0.1W T200	AS0203R-0805F
R24	SM0805 RES 20K 1% 0.1W T200	AS0203R-0805F
R25	SM0805 RES 20K 1% 0.1W T200	AS0203R-0805F
R26	SM0805 RES 10K 1% 0.1W T200	AS0103R-0805F
R27	SM0805 RES 10K 1% 0.1W T200	AS0103R-0805F
R28	SM0805 RES 47K 1% 0.1W T200	AS0473R-0805F
R29	SM0805 RES 8K2 1% 0.1W T200	AS0822R-0805F
R30	SM0805 RES 8K2 1% 0.1W T200	AS0822R-0805F
R31	SM0805 RES 75R 1% 0.1W T200	AS0750R-0805F
R32	SM0805 RES 75R 1% 0.1W T200	AS0750R-0805F
R33	SM0805 RES 75R 1% 0.1W T200	AS0750R-0805F
R34	SM0805 RES 75R 1% 0.1W T200	AS0750R-0805F
R35	SM0805 RES 75R 1% 0.1W T200	AS0750R-0805F
R36	SM0805 RES 75R 1% 0.1W T200	AS0750R-0805F
R37	SM0805 RES 75R 1% 0.1W T200	AS0750R-0805F
R38	SM0805 RES 75R 1% 0.1W T200	AS0750R-0805F
R39	SM0805 RES 20K 1% 0.1W T200	AS0203R-0805F
R40	SM0805 RES 20K 1% 0.1W T200	AS0203R-0805F
R41	SM0805 RES 20K 1% 0.1W T200	AS0203R-0805F
R42	SM0805 RES 8K2 1% 0.1W T200	AS0822R-0805F
R43	SM0805 RES 8K2 1% 0.1W T200	AS0822R-0805F
R44	SM0805 RES 20K 1% 0.1W T200	AS0203R-0805F
R45	SM0805 RES 47K 1% 0.1W T200	AS0473R-0805F
R46	SM0805 RES 1K2 1% 0.1W T200	AS0122R-0805F
R47	SM0805 RES 1K2 1% 0.1W T200	AS0122R-0805F
R48	SM0805 RES 1K2 1% 0.1W T200	AS0122R-0805F
R49	SM0805 RES 620R 1% 0.1W T200	AS0621R-0805F
R50	SM0805 RES 4K3 1% 0.1W T200	AS0432R-0805F
R51	SM0805 RES 3K9 1% 0.1W T200	AS0392R-0805F
R52	SM0805 RES 3K3 1% 0.1W T200	AS0332R-0805F
R53	SM0805 RES 6K8 1% 0.1W T200	AS0682R-0805F
R54	SM0805 RES 3K3 1% 0.1W T200	AS0332R-0805F
R55	SM0805 RES 6K8 1% 0.1W T200	AS0682R-0805F
R56	SM0805 RES 6K8 1% 0.1W T200	AS0682R-0805F
R57	SM0805 RES 1K2 1% 0.1W T200	AS0122R-0805F
R58	SM0805 RES 1K2 1% 0.1W T200	AS0122R-0805F
R59	SM0805 RES 9K1 1% 0.1W T200	AS0912R-0805F
R60	SM0805 RES 3K9 1% 0.1W T200	AS0392R-0805F
R61	SM0805 RES 2K2 1% 0.1W T200	AS0222R-0805F
R62	SM0805 RES 1K5 1% 0.1W T200	AS0152R-0805F
R63	SM0805 RES 620R 1% 0.1W T200	AS0621R-0805F
R64	SM0805 RES 470R 1% 0.1W T200	AS0471R-0805F
R65	SM0805 RES 330R 1% 0.1W T200	AS0331R-0805F
R66	SM0805 RES 240R 1% 0.1W T200	AS0241R-0805F
R67	SM0805 RES 2K2 1% 0.1W T200	AS0222R-0805F
R68	SM0805 RES 330R 1% 0.1W T200	AS0331R-0805F
R69	SM0805 RES 130R 1% 0.1W T200	AS0131R-0805F
R70	SM0805 RES 75R 1% 0.1W T200	AS0750R-0805F
R71	SM0805 RES 75R 1% 0.1W T200	AS0750R-0805F
R72	SM0805 RES 330R 1% 0.1W T200	AS0331R-0805F
R73	SM0805 RES 1M 1% 0.1W T200	AS0105R-0805F
R74	SM0805 RES 330R 1% 0.1W T200	AS0331R-0805F
R75	SM0805 RES 1M 1% 0.1W T200	AS0105R-0805F
R76	SM0805 RES 240R 1% 0.1W T200	AS0241R-0805F
R77	SM0805 RES 240R 1% 0.1W T200	AS0241R-0805F
R78	SM0805 RES 220K 1% 0.1W T200	AS0224R-0805F
R79	SM0805 RES 220K 1% 0.1W T200	AS0224R-0805F
R80	SM0805 RES 3K3 1% 0.1W T200	AS0332R-0805F
R81	SM0805 RES 8K2 1% 0.1W T200	AS0822R-0805F
R82	SM0805 RES 8K2 1% 0.1W T200	AS0822R-0805F
R83	SM0805 RES 220K 1% 0.1W T200	AS0224R-0805F
R84	SM0805 RES 220K 1% 0.1W T200	AS0224R-0805F
R85	SM0805 RES 1K5 1% 0.1W T200	AS0152R-0805F
R700	MMELF RES 20K 1% 0.2W 50BLF	AS2203R-0102F
R701	MMELF RES 1K2 1% 0.2W 50BLF	AS2122R-0102F
R702	MMELF RES 20K 1% 0.2W 50BLF	AS2203R-0102F
R703	MMELF RES 1K2 1% 0.2W 50BLF	AS2122R-0102F
R704	SM0805 RES 10R 1% 0.1W T200	AS0100R-0805F

R705	MMELF RES 1K2 1% 0.2W 50BLF	AS2122R-0102F
R706	MMELF RES 1K2 1% 0.2W 50BLF	AS2122R-0102F
R707	SM0805 RES 6K8 1% 0.1W T200	AS0682R-0805F
R708	SM0805 RES 6K8 1% 0.1W T200	AS0682R-0805F
R709	MMELF RES 1K2 1% 0.2W 50BLF	AS2122R-0102F
R710	MMELF RES 1K2 1% 0.2W 50BLF	AS2122R-0102F
R711	SM0805 RES 4K3 1% 0.1W T200	AS0432R-0805F
R712	SM0805 RES 4K3 1% 0.1W T200	AS0432R-0805F
R715	SM0805 RES 20K 1% 0.1W T200	AS0203R-0805F
R716	SM0805 RES 20K 1% 0.1W T200	AS0203R-0805F
R717	SM0805 RES 8K2 1% 0.1W T200	AS0822R-0805F
R718	SM0805 RES 8K2 1% 0.1W T200	AS0822R-0805F
R719	SM0805 RES 3K3 1% 0.1W T200	AS0332R-0805F
R720	SM0805 RES 3K3 1% 0.1W T200	AS0332R-0805F
R721	SM0805 RES 20K 1% 0.1W T200	AS0203R-0805F
R722	SM0805 RES 47K 1% 0.1W T200	AS0473R-0805F
R723	SM0805 RES 20K 1% 0.1W T200	AS0203R-0805F
R724	SM0805 RES 10K 1% 0.1W T200	AS0103R-0805F
R725	SM0805 RES 4K3 1% 0.1W T200	AS0432R-0805F
R726	SM0805 RES 10K 1% 0.1W T200	AS0103R-0805F
R727	SM0805 RES 10K 1% 0.1W T200	AS0103R-0805F
R728	SM0805 RES 10K 1% 0.1W T200	AS0103R-0805F
R729	SM0805 RES 10K 1% 0.1W T200	AS0103R-0805F
R730	SM0805 RES 10K 1% 0.1W T200	AS0103R-0805F
R731	SM0805 RES 10K 1% 0.1W T200	AS0103R-0805F
R732	SM0805 RES 4K3 1% 0.1W T200	AS0432R-0805F
R733	SM0805 RES 47K 1% 0.1W T200	AS0473R-0805F
R734	SM0805 RES 4K3 1% 0.1W T200	AS0432R-0805F
R735	SM0805 RES 620R 1% 0.1W T200	AS0621R-0805F
R736	SM0805 RES 75R 1% 0.1W T200	AS0750R-0805F
R738	SM0805 RES 47K 1% 0.1W T200	AS0473R-0805F
R800	MMELF RES 20K 1% 0.2W 50BLF	AS2203R-0102F
R801	MMELF RES 1K2 1% 0.2W 50BLF	AS2122R-0102F
R802	MMELF RES 20K 1% 0.2W 50BLF	AS2203R-0102F
R803	MMELF RES 1K2 1% 0.2W 50BLF	AS2122R-0102F
R804	SM0805 RES 10R 1% 0.1W T200	AS0100R-0805F
R805	MMELF RES 1K2 1% 0.2W 50BLF	AS2122R-0102F
R806	MMELF RES 1K2 1% 0.2W 50BLF	AS2122R-0102F
R807	SM0805 RES 6K8 1% 0.1W T200	AS0682R-0805F
R808	SM0805 RES 6K8 1% 0.1W T200	AS0682R-0805F
R809	MMELF RES 1K2 1% 0.2W 50BLF	AS2122R-0102F
R810	MMELF RES 1K2 1% 0.2W 50BLF	AS2122R-0102F
R811	SM0805 RES 4K3 1% 0.1W T200	AS0432R-0805F
R812	SM0805 RES 4K3 1% 0.1W T200	AS0432R-0805F
R815	SM0805 RES 20K 1% 0.1W T200	AS0203R-0805F
R816	SM0805 RES 20K 1% 0.1W T200	AS0203R-0805F
R817	SM0805 RES 8K2 1% 0.1W T200	AS0822R-0805F
R818	SM0805 RES 8K2 1% 0.1W T200	AS0822R-0805F
R819	SM0805 RES 3K3 1% 0.1W T200	AS0332R-0805F
R820	SM0805 RES 3K3 1% 0.1W T200	AS0332R-0805F
R821	SM0805 RES 20K 1% 0.1W T200	AS0203R-0805F
R822	SM0805 RES 47K 1% 0.1W T200	AS0473R-0805F
R823	SM0805 RES 20K 1% 0.1W T200	AS0203R-0805F
R824	SM0805 RES 10K 1% 0.1W T200	AS0103R-0805F
R825	SM0805 RES 4K3 1% 0.1W T200	AS0432R-0805F
R826	SM0805 RES 10K 1% 0.1W T200	AS0103R-0805F
R827	SM0805 RES 10K 1% 0.1W T200	AS0103R-0805F
R828	SM0805 RES 10K 1% 0.1W T200	AS0103R-0805F
R829	SM0805 RES 10K 1% 0.1W T200	AS0103R-0805F
R830	SM0805 RES 10K 1% 0.1W T200	AS0103R-0805F
R831	SM0805 RES 10K 1% 0.1W T200	AS0103R-0805F
R832	SM0805 RES 4K3 1% 0.1W T200	AS0432R-0805F
R833	SM0805 RES 47K 1% 0.1W T200	AS0473R-0805F
R834	SM0805 RES 4K3 1% 0.1W T200	AS0432R-0805F
R835	SM0805 RES 620R 1% 0.1W T200	AS0621R-0805F
R836	SM0805 RES 75R 1% 0.1W T200	AS0750R-0805F
R838	SM0805 RES 47K 1% 0.1W T200	AS0473R-0805F
R900	MMELF RES 20K 1% 0.2W 50BLF	AS2203R-0102F
R901	MMELF RES 1K2 1% 0.2W 50BLF	AS2122R-0102F
R902	MMELF RES 20K 1% 0.2W 50BLF	AS2203R-0102F
R903	MMELF RES 1K2 1% 0.2W 50BLF	AS2122R-0102F
R904	SM0805 RES 10R 1% 0.1W T200	AS0100R-0805F
R905	MMELF RES 1K2 1% 0.2W 50BLF	AS2122R-0102F

R906	MMELF RES 1K2 1% 0.2W 50BLF	AS2122R-0102F
R907	SM0805 RES 6K8 1% 0.1W T200	AS0682R-0805F
R908	SM0805 RES 6K8 1% 0.1W T200	AS0682R-0805F
R909	MMELF RES 1K2 1% 0.2W 50BLF	AS2122R-0102F
R910	MMELF RES 1K2 1% 0.2W 50BLF	AS2122R-0102F
R911	SM0805 RES 4K3 1% 0.1W T200	AS0432R-0805F
R912	SM0805 RES 4K3 1% 0.1W T200	AS0432R-0805F
R915	SM0805 RES 20K 1% 0.1W T200	AS0203R-0805F
R916	SM0805 RES 20K 1% 0.1W T200	AS0203R-0805F
R917	SM0805 RES 8K2 1% 0.1W T200	AS0822R-0805F
R918	SM0805 RES 8K2 1% 0.1W T200	AS0822R-0805F
R919	SM0805 RES 3K3 1% 0.1W T200	AS0332R-0805F
R920	SM0805 RES 3K3 1% 0.1W T200	AS0332R-0805F
R921	SM0805 RES 20K 1% 0.1W T200	AS0203R-0805F
R922	SM0805 RES 47K 1% 0.1W T200	AS0473R-0805F
R923	SM0805 RES 20K 1% 0.1W T200	AS0203R-0805F
R924	SM0805 RES 10K 1% 0.1W T200	AS0103R-0805F
R925	SM0805 RES 4K3 1% 0.1W T200	AS0432R-0805F
R926	SM0805 RES 10K 1% 0.1W T200	AS0103R-0805F
R927	SM0805 RES 10K 1% 0.1W T200	AS0103R-0805F
R928	SM0805 RES 10K 1% 0.1W T200	AS0103R-0805F
R929	SM0805 RES 10K 1% 0.1W T200	AS0103R-0805F
R930	SM0805 RES 10K 1% 0.1W T200	AS0103R-0805F
R931	SM0805 RES 10K 1% 0.1W T200	AS0103R-0805F
R932	SM0805 RES 4K3 1% 0.1W T200	AS0432R-0805F
R933	SM0805 RES 47K 1% 0.1W T200	AS0473R-0805F
R934	SM0805 RES 4K3 1% 0.1W T200	AS0432R-0805F
R935	SM0805 RES 620R 1% 0.1W T200	AS0621R-0805F
R936	SM0805 RES 75R 1% 0.1W T200	AS0750R-0805F
R938	SM0805 RES 47K 1% 0.1W T200	AS0473R-0805F
R1000	MMELF RES 20K 1% 0.2W 50BLF	AS2203R-0102F
R1001	MMELF RES 1K2 1% 0.2W 50BLF	AS2122R-0102F
R1002	MMELF RES 20K 1% 0.2W 50BLF	AS2203R-0102F
R1003	MMELF RES 1K2 1% 0.2W 50BLF	AS2122R-0102F
R1004	SM0805 RES 10R 1% 0.1W T200	AS0100R-0805F
R1005	MMELF RES 1K2 1% 0.2W 50BLF	AS2122R-0102F
R1006	MMELF RES 1K2 1% 0.2W 50BLF	AS2122R-0102F
R1007	SM0805 RES 6K8 1% 0.1W T200	AS0682R-0805F
R1008	SM0805 RES 6K8 1% 0.1W T200	AS0682R-0805F
R1009	MMELF RES 1K2 1% 0.2W 50BLF	AS2122R-0102F
R1010	MMELF RES 1K2 1% 0.2W 50BLF	AS2122R-0102F
R1011	SM0805 RES 4K3 1% 0.1W T200	AS0432R-0805F
R1012	SM0805 RES 4K3 1% 0.1W T200	AS0432R-0805F
R1015	SM0805 RES 20K 1% 0.1W T200	AS0203R-0805F
R1016	SM0805 RES 20K 1% 0.1W T200	AS0203R-0805F
R1017	SM0805 RES 8K2 1% 0.1W T200	AS0822R-0805F
R1018	SM0805 RES 8K2 1% 0.1W T200	AS0822R-0805F
R1019	SM0805 RES 3K3 1% 0.1W T200	AS0332R-0805F
R1020	SM0805 RES 3K3 1% 0.1W T200	AS0332R-0805F
R1021	SM0805 RES 20K 1% 0.1W T200	AS0203R-0805F
R1022	SM0805 RES 47K 1% 0.1W T200	AS0473R-0805F
R1023	SM0805 RES 20K 1% 0.1W T200	AS0203R-0805F
R1024	SM0805 RES 10K 1% 0.1W T200	AS0103R-0805F
R1025	SM0805 RES 4K3 1% 0.1W T200	AS0432R-0805F
R1026	SM0805 RES 10K 1% 0.1W T200	AS0103R-0805F
R1027	SM0805 RES 10K 1% 0.1W T200	AS0103R-0805F
R1028	SM0805 RES 10K 1% 0.1W T200	AS0103R-0805F
R1029	SM0805 RES 10K 1% 0.1W T200	AS0103R-0805F
R1030	SM0805 RES 10K 1% 0.1W T200	AS0103R-0805F
R1031	SM0805 RES 10K 1% 0.1W T200	AS0103R-0805F
R1032	SM0805 RES 4K3 1% 0.1W T200	AS0432R-0805F
R1033	SM0805 RES 47K 1% 0.1W T200	AS0473R-0805F
R1034	SM0805 RES 4K3 1% 0.1W T200	AS0432R-0805F
R1035	SM0805 RES 620R 1% 0.1W T200	AS0621R-0805F
R1036	SM0805 RES 75R 1% 0.1W T200	AS0750R-0805F
R1038	SM0805 RES 47K 1% 0.1W T200	AS0473R-0805F
R1100	MMELF RES 20K 1% 0.2W 50BLF	AS2203R-0102F
R1101	MMELF RES 1K2 1% 0.2W 50BLF	AS2122R-0102F
R1102	MMELF RES 20K 1% 0.2W 50BLF	AS2203R-0102F
R1103	MMELF RES 1K2 1% 0.2W 50BLF	AS2122R-0102F
R1104	SM0805 RES 10R 1% 0.1W T200	AS0100R-0805F
R1105	MMELF RES 1K2 1% 0.2W 50BLF	AS2122R-0102F
R1106	MMELF RES 1K2 1% 0.2W 50BLF	AS2122R-0102F

R1107	SM0805 RES 6K8 1% 0.1W T200	AS0682R-0805F
R1108	SM0805 RES 6K8 1% 0.1W T200	AS0682R-0805F
R1109	MMELF RES 1K2 1% 0.2W 50BLF	AS2122R-0102F
R1110	MMELF RES 1K2 1% 0.2W 50BLF	AS2122R-0102F
R1111	SM0805 RES 4K3 1% 0.1W T200	AS0432R-0805F
R1112	SM0805 RES 4K3 1% 0.1W T200	AS0432R-0805F
R1115	SM0805 RES 20K 1% 0.1W T200	AS0203R-0805F
R1116	SM0805 RES 20K 1% 0.1W T200	AS0203R-0805F
R1117	SM0805 RES 8K2 1% 0.1W T200	AS0822R-0805F
R1118	SM0805 RES 8K2 1% 0.1W T200	AS0822R-0805F
R1119	SM0805 RES 3K3 1% 0.1W T200	AS0332R-0805F
R1120	SM0805 RES 3K3 1% 0.1W T200	AS0332R-0805F
R1121	SM0805 RES 20K 1% 0.1W T200	AS0203R-0805F
R1122	SM0805 RES 47K 1% 0.1W T200	AS0473R-0805F
R1123	SM0805 RES 20K 1% 0.1W T200	AS0203R-0805F
R1124	SM0805 RES 10K 1% 0.1W T200	AS0103R-0805F
R1125	SM0805 RES 4K3 1% 0.1W T200	AS0432R-0805F
R1126	SM0805 RES 10K 1% 0.1W T200	AS0103R-0805F
R1127	SM0805 RES 10K 1% 0.1W T200	AS0103R-0805F
R1128	SM0805 RES 10K 1% 0.1W T200	AS0103R-0805F
R1129	SM0805 RES 10K 1% 0.1W T200	AS0103R-0805F
R1130	SM0805 RES 10K 1% 0.1W T200	AS0103R-0805F
R1131	SM0805 RES 10K 1% 0.1W T200	AS0103R-0805F
R1132	SM0805 RES 4K3 1% 0.1W T200	AS0432R-0805F
R1133	SM0805 RES 47K 1% 0.1W T200	AS0473R-0805F
R1134	SM0805 RES 4K3 1% 0.1W T200	AS0432R-0805F
R1135	SM0805 RES 620R 1% 0.1W T200	AS0621R-0805F
R1136	SM0805 RES 75R 1% 0.1W T200	AS0750R-0805F
R1138	SM0805 RES 47K 1% 0.1W T200	AS0473R-0805F
R1200	MMELF RES 20K 1% 0.2W 50BLF	AS2203R-0102F
R1201	MMELF RES 1K2 1% 0.2W 50BLF	AS2122R-0102F
R1202	MMELF RES 20K 1% 0.2W 50BLF	AS2203R-0102F
R1203	MMELF RES 1K2 1% 0.2W 50BLF	AS2122R-0102F
R1204	SM0805 RES 10R 1% 0.1W T200	AS0100R-0805F
R1205	MMELF RES 1K2 1% 0.2W 50BLF	AS2122R-0102F
R1206	MMELF RES 1K2 1% 0.2W 50BLF	AS2122R-0102F
R1207	SM0805 RES 6K8 1% 0.1W T200	AS0682R-0805F
R1208	SM0805 RES 6K8 1% 0.1W T200	AS0682R-0805F
R1209	MMELF RES 1K2 1% 0.2W 50BLF	AS2122R-0102F
R1210	MMELF RES 1K2 1% 0.2W 50BLF	AS2122R-0102F
R1211	SM0805 RES 4K3 1% 0.1W T200	AS0432R-0805F
R1212	SM0805 RES 4K3 1% 0.1W T200	AS0432R-0805F
R1215	SM0805 RES 20K 1% 0.1W T200	AS0203R-0805F
R1216	SM0805 RES 20K 1% 0.1W T200	AS0203R-0805F
R1217	SM0805 RES 8K2 1% 0.1W T200	AS0822R-0805F
R1218	SM0805 RES 8K2 1% 0.1W T200	AS0822R-0805F
R1219	SM0805 RES 3K3 1% 0.1W T200	AS0332R-0805F
R1220	SM0805 RES 3K3 1% 0.1W T200	AS0332R-0805F
R1221	SM0805 RES 20K 1% 0.1W T200	AS0203R-0805F
R1222	SM0805 RES 47K 1% 0.1W T200	AS0473R-0805F
R1223	SM0805 RES 20K 1% 0.1W T200	AS0203R-0805F
R1224	SM0805 RES 10K 1% 0.1W T200	AS0103R-0805F
R1225	SM0805 RES 4K3 1% 0.1W T200	AS0432R-0805F
R1226	SM0805 RES 10K 1% 0.1W T200	AS0103R-0805F
R1227	SM0805 RES 10K 1% 0.1W T200	AS0103R-0805F
R1228	SM0805 RES 10K 1% 0.1W T200	AS0103R-0805F
R1229	SM0805 RES 10K 1% 0.1W T200	AS0103R-0805F
R1230	SM0805 RES 10K 1% 0.1W T200	AS0103R-0805F
R1231	SM0805 RES 10K 1% 0.1W T200	AS0103R-0805F
R1232	SM0805 RES 4K3 1% 0.1W T200	AS0432R-0805F
R1233	SM0805 RES 47K 1% 0.1W T200	AS0473R-0805F
R1234	SM0805 RES 4K3 1% 0.1W T200	AS0432R-0805F
R1235	SM0805 RES 620R 1% 0.1W T200	AS0621R-0805F
R1236	SM0805 RES 75R 1% 0.1W T200	AS0750R-0805F
R1238	SM0805 RES 47K 1% 0.1W T200	AS0473R-0805F
R1300	SM0805 RES 4K3 1% 0.1W T200	AS0432R-0805F
R1301	SM0805 RES 4K3 1% 0.1W T200	AS0432R-0805F
R1302	SM0805 RES 4K3 1% 0.1W T200	AS0432R-0805F
R1303	SM0805 RES 20K 1% 0.1W T200	AS0203R-0805F
R1304	SM0805 RES 10K 1% 0.1W T200	AS0103R-0805F
R1305	SM0805 RES 4K3 1% 0.1W T200	AS0432R-0805F
R1306	SM0805 RES 20K 1% 0.1W T200	AS0203R-0805F
R1307	SM0805 RES 10K 1% 0.1W T200	AS0103R-0805F

R1308	SM0805 RES 4K3 1% 0.1W T200	AS0432R-0805F
R1309	SM0805 RES 20K 1% 0.1W T200	AS0203R-0805F
R1310	SM0805 RES 20K 1% 0.1W T200	AS0203R-0805F
R1311	SM0805 RES 20K 1% 0.1W T200	AS0203R-0805F
R1312	SM0805 RES 20K 1% 0.1W T200	AS0203R-0805F
R1313	SM0805 RES 10K 1% 0.1W T200	AS0103R-0805F
R1314	SM0805 RES 10K 1% 0.1W T200	AS0103R-0805F
R1315	SM0805 RES 47K 1% 0.1W T200	AS0473R-0805F
R1316	SM0805 RES 620R 1% 0.1W T200	AS0621R-0805F
R1317	SM0805 RES 47K 1% 0.1W T200	AS0473R-0805F
R1318	SM0805 RES 47K 1% 0.1W T200	AS0473R-0805F
R1322	SM0805 RES 47K 1% 0.1W T200	AS0473R-0805F
R1324	SM0805 RES 15K 1% 0.1W T200	AS0153R-0805F
R1325	SM0805 RES 15K 1% 0.1W T200	AS0153R-0805F
R1326	SM0805 RES 15K 1% 0.1W T200	AS0153R-0805F
R1327	SM0805 RES 3K3 1% 0.1W T200	AS0332R-0805F
R1328	SM0805 RES 3K3 1% 0.1W T200	AS0332R-0805F
R1329	SM0805 RES 20K 1% 0.1W T200	AS0203R-0805F
R1330	SM0805 RES 47K 1% 0.1W T200	AS0473R-0805F
R1331	SM0805 RES 3K3 1% 0.1W T200	AS0332R-0805F
R1332	SM0805 RES 3K3 1% 0.1W T200	AS0332R-0805F
R1333	SM0805 RES 15K 1% 0.1W T200	AS0153R-0805F
R1334	SM0805 RES 20K 1% 0.1W T200	AS0203R-0805F
R1335	SM0805 RES 47K 1% 0.1W T200	AS0473R-0805F
R1336	SM0805 RES 620R 1% 0.1W T200	AS0621R-0805F
R1337	SM0805 RES 620R 1% 0.1W T200	AS0621R-0805F
R1338	SM0805 RES 3K3 1% 0.1W T200	AS0332R-0805F
R1339	SM0805 RES 3K3 1% 0.1W T200	AS0332R-0805F
R1340	SM0805 RES 3K3 1% 0.1W T200	AS0332R-0805F
R1341	SM0805 RES 3K3 1% 0.1W T200	AS0332R-0805F
R1342	SM0805 RES 1K5 1% 0.1W T200	AS0152R-0805F
R1343	SM0805 RES 1K5 1% 0.1W T200	AS0152R-0805F
R1344	SM0805 RES 2K2 1% 0.1W T200	AS0222R-0805F
R1346	SM0805 RES 20K 1% 0.1W T200	AS0203R-0805F
R1347	SM0805 RES 20K 1% 0.1W T200	AS0203R-0805F
R1348	SM0805 RES 20K 1% 0.1W T200	AS0203R-0805F
R1349	SM0805 RES 20K 1% 0.1W T200	AS0203R-0805F
R1350	SM0805 RES 47K 1% 0.1W T200	AS0473R-0805F
R1400	SM0805 RES 4K3 1% 0.1W T200	AS0432R-0805F
R1401	SM0805 RES 4K3 1% 0.1W T200	AS0432R-0805F
R1402	SM0805 RES 4K3 1% 0.1W T200	AS0432R-0805F
R1403	SM0805 RES 20K 1% 0.1W T200	AS0203R-0805F
R1404	SM0805 RES 10K 1% 0.1W T200	AS0103R-0805F
R1405	SM0805 RES 4K3 1% 0.1W T200	AS0432R-0805F
R1406	SM0805 RES 20K 1% 0.1W T200	AS0203R-0805F
R1407	SM0805 RES 10K 1% 0.1W T200	AS0103R-0805F
R1408	SM0805 RES 4K3 1% 0.1W T200	AS0432R-0805F
R1409	SM0805 RES 20K 1% 0.1W T200	AS0203R-0805F
R1410	SM0805 RES 20K 1% 0.1W T200	AS0203R-0805F
R1411	SM0805 RES 20K 1% 0.1W T200	AS0203R-0805F
R1412	SM0805 RES 20K 1% 0.1W T200	AS0203R-0805F
R1413	SM0805 RES 10K 1% 0.1W T200	AS0103R-0805F
R1414	SM0805 RES 10K 1% 0.1W T200	AS0103R-0805F
R1415	SM0805 RES 47K 1% 0.1W T200	AS0473R-0805F
R1416	SM0805 RES 620R 1% 0.1W T200	AS0621R-0805F
R1417	SM0805 RES 47K 1% 0.1W T200	AS0473R-0805F
R1418	SM0805 RES 47K 1% 0.1W T200	AS0473R-0805F
R1422	SM0805 RES 47K 1% 0.1W T200	AS0473R-0805F
R1424	SM0805 RES 15K 1% 0.1W T200	AS0153R-0805F
R1425	SM0805 RES 15K 1% 0.1W T200	AS0153R-0805F
R1426	SM0805 RES 15K 1% 0.1W T200	AS0153R-0805F
R1427	SM0805 RES 3K3 1% 0.1W T200	AS0332R-0805F
R1428	SM0805 RES 3K3 1% 0.1W T200	AS0332R-0805F
R1429	SM0805 RES 20K 1% 0.1W T200	AS0203R-0805F
R1430	SM0805 RES 47K 1% 0.1W T200	AS0473R-0805F
R1431	SM0805 RES 3K3 1% 0.1W T200	AS0332R-0805F
R1432	SM0805 RES 3K3 1% 0.1W T200	AS0332R-0805F
R1433	SM0805 RES 15K 1% 0.1W T200	AS0153R-0805F
R1434	SM0805 RES 20K 1% 0.1W T200	AS0203R-0805F
R1435	SM0805 RES 47K 1% 0.1W T200	AS0473R-0805F
R1436	SM0805 RES 620R 1% 0.1W T200	AS0621R-0805F
R1437	SM0805 RES 620R 1% 0.1W T200	AS0621R-0805F
R1438	SM0805 RES 3K3 1% 0.1W T200	AS0332R-0805F

C720	CAP CRMC 100NF 10% 50V X7R	CS7104R-0805K
C803	CAP CRMC 680PF 5% 50V	CS1681R-0805J
C804	CAP CRMC 680PF 5% 50V	CS1681R-0805J
C805	CAP CRMC 22PF 10% 50V NPO	CS1220R-0805K
C806	CAP CRMC 22PF 10% 50V NPO	CS1220R-0805K
C820	CAP CRMC 100NF 10% 50V X7R	CS7104R-0805K
C903	CAP CRMC 680PF 5% 50V	CS1681R-0805J
C904	CAP CRMC 680PF 5% 50V	CS1681R-0805J
C905	CAP CRMC 22PF 10% 50V NPO	CS1220R-0805K
C906	CAP CRMC 22PF 10% 50V NPO	CS1220R-0805K
C916	CAP CRMC 100NF 10% 50V X7R	CS7104R-0805K
C920	CAP CRMC 100NF 10% 50V X7R	CS7104R-0805K
C1003	CAP CRMC 680PF 5% 50V	CS1681R-0805J
C1004	CAP CRMC 680PF 5% 50V	CS1681R-0805J
C1005	CAP CRMC 22PF 10% 50V NPO	CS1220R-0805K
C1006	CAP CRMC 22PF 10% 50V NPO	CS1220R-0805K
C1016	CAP CRMC 100NF 10% 50V X7R	CS7104R-0805K
C1020	CAP CRMC 100NF 10% 50V X7R	CS7104R-0805K
C1103	CAP CRMC 680PF 5% 50V	CS1681R-0805J
C1104	CAP CRMC 680PF 5% 50V	CS1681R-0805J
C1105	CAP CRMC 22PF 10% 50V NPO	CS1220R-0805K
C1106	CAP CRMC 22PF 10% 50V NPO	CS1220R-0805K
C1120	CAP CRMC 100NF 10% 50V X7R	CS7104R-0805K
C1203	CAP CRMC 680PF 5% 50V	CS1681R-0805J
C1204	CAP CRMC 680PF 5% 50V	CS1681R-0805J
C1205	CAP CRMC 22PF 10% 50V NPO	CS1220R-0805K
C1206	CAP CRMC 22PF 10% 50V NPO	CS1220R-0805K
C1220	CAP CRMC 100NF 10% 50V X7R	CS7104R-0805K
C1300	CAP CRMC 100NF 10% 50V X7R	CS7104R-0805K
C1307	CAP CRMC 680PF 5% 50V	CS1681R-0805J
C1308	CAP CRMC 680PF 5% 50V	CS1681R-0805J
C1309	CAP CRMC 680PF 5% 50V	CS1681R-0805J
C1310	CAP CRMC 680PF 5% 50V	CS1681R-0805J
C1400	CAP CRMC 100NF 10% 50V X7R	CS7104R-0805K
C1407	CAP CRMC 680PF 5% 50V	CS1681R-0805J
C1408	CAP CRMC 680PF 5% 50V	CS1681R-0805J
C1409	CAP CRMC 680PF 5% 50V	CS1681R-0805J
C1410	CAP CRMC 680PF 5% 50V	CS1681R-0805J
D1	BAV70 SM DUAL DIODE COM CATH	BS0013R-SOT23
D2	BAV70 SM DUAL DIODE COM CATH	BS0013R-SOT23
D1000	BAV70 SM DUAL DIODE COM CATH	BS0013R-SOT23
D1001	BAV70 SM DUAL DIODE COM CATH	BS0013R-SOT23
D1003	BAV70 SM DUAL DIODE COM CATH	BS0013R-SOT23
D1004	BAV70 SM DUAL DIODE COM CATH	BS0013R-SOT23
D1100	BAV70 SM DUAL DIODE COM CATH	BS0013R-SOT23
D1101	BAV70 SM DUAL DIODE COM CATH	BS0013R-SOT23
D1103	BAV70 SM DUAL DIODE COM CATH	BS0013R-SOT23
D1104	BAV70 SM DUAL DIODE COM CATH	BS0013R-SOT23
D1200	BAV70 SM DUAL DIODE COM CATH	BS0013R-SOT23
D1201	BAV70 SM DUAL DIODE COM CATH	BS0013R-SOT23
D1203	BAV70 SM DUAL DIODE COM CATH	BS0013R-SOT23
D1204	BAV70 SM DUAL DIODE COM CATH	BS0013R-SOT23
D1300	BAV70 SM DUAL DIODE COM CATH	BS0013R-SOT23
D1301	BAV70 SM DUAL DIODE COM CATH	BS0013R-SOT23
D1400	BAV70 SM DUAL DIODE COM CATH	BS0013R-SOT23
D1401	BAV70 SM DUAL DIODE COM CATH	BS0013R-SOT23
D500	BAV70 SM DUAL DIODE COM CATH	BS0013R-SOT23
D501	BAV70 SM DUAL DIODE COM CATH	BS0013R-SOT23
D503	BAV70 SM DUAL DIODE COM CATH	BS0013R-SOT23
D504	BAV70 SM DUAL DIODE COM CATH	BS0013R-SOT23
D600	BAV70 SM DUAL DIODE COM CATH	BS0013R-SOT23
D601	BAV70 SM DUAL DIODE COM CATH	BS0013R-SOT23
D603	BAV70 SM DUAL DIODE COM CATH	BS0013R-SOT23
D604	BAV70 SM DUAL DIODE COM CATH	BS0013R-SOT23
D700	BAV70 SM DUAL DIODE COM CATH	BS0013R-SOT23
D701	BAV70 SM DUAL DIODE COM CATH	BS0013R-SOT23
D703	BAV70 SM DUAL DIODE COM CATH	BS0013R-SOT23
D704	BAV70 SM DUAL DIODE COM CATH	BS0013R-SOT23
D800	BAV70 SM DUAL DIODE COM CATH	BS0013R-SOT23
D801	BAV70 SM DUAL DIODE COM CATH	BS0013R-SOT23
D803	BAV70 SM DUAL DIODE COM CATH	BS0013R-SOT23
D804	BAV70 SM DUAL DIODE COM CATH	BS0013R-SOT23
D900	BAV70 SM DUAL DIODE COM CATH	BS0013R-SOT23

D901	BAV70 SM DUAL DIODE COM CATH	BS0013R-SOT23
D903	BAV70 SM DUAL DIODE COM CATH	BS0013R-SOT23
D904	BAV70 SM DUAL DIODE COM CATH	BS0013R-SOT23
IC1	NE5532 SM DUAL OP AMP	BS7009R-SO8
IC2	TL072CD SM DUAL OP AMP	BS7001R-SO8
IC3	NE5532 SM DUAL OP AMP	BS7009R-SO8
IC4	NE5532 SM DUAL OP AMP	BS7009R-SO8
IC5	74HC4053 TRIPLE SPDT SWTCSMTD	BS10035
IC6	NE5532 SM DUAL OP AMP	BS7009R-SO8
IC7	NE5532 SM DUAL OP AMP	BS7009R-SO8
IC8	NE5532 SM DUAL OP AMP	BS7009R-SO8
IC9	TL072CD SM DUAL OP AMP	BS7001R-SO8
IC10	LM2901 SM QUAD COMARATOR	BS7007R-SO14
IC11	LM2901 SM QUAD COMARATOR	BS7007R-SO14
IC12	LM2901 SM QUAD COMARATOR	BS7007R-SO14
IC13	LM2901 SM QUAD COMARATOR	BS7007R-SO14
IC14	LM2901 SM QUAD COMARATOR	BS7007R-SO14
IC1000	TL074A SM QUAD OP-AMP	BS7002
IC1100	TL074A SM QUAD OP-AMP	BS7002
IC1200	TL074A SM QUAD OP-AMP	BS7002
IC1300	TL072CD SM DUAL OP AMP	BS7001R-SO8
IC1301	TL072CD SM DUAL OP AMP	BS7001R-SO8
IC1302	TL072CD SM DUAL OP AMP	BS7001R-SO8
IC1400	TL072CD SM DUAL OP AMP	BS7001R-SO8
IC1401	TL072CD SM DUAL OP AMP	BS7001R-SO8
IC1402	TL072CD SM DUAL OP AMP	BS7001R-SO8
IC500	TL074A SM QUAD OP-AMP	BS7002
IC600	TL074A SM QUAD OP-AMP	BS7002
IC700	TL074A SM QUAD OP-AMP	BS7002
IC800	TL074A SM QUAD OP-AMP	BS7002
IC900	TL074A SM QUAD OP-AMP	BS7002
R1	SM0805 RES 1K5 1% 0.1W T200	AS0152R-0805F
R2	SM0805 RES 1K5 1% 0.1W T200	AS0152R-0805F
R3	SM0805 RES 3K3 1% 0.1W T200	AS0332R-0805F
R4	SM0805 RES 3K3 1% 0.1W T200	AS0332R-0805F
R5	SM0805 RES 8K2 1% 0.1W T200	AS0822R-0805F
R6	SM0805 RES 8K2 1% 0.1W T200	AS0822R-0805F
R7	SM0805 RES 75R 1% 0.1W T200	AS0750R-0805F
R8	SM0805 RES 75R 1% 0.1W T200	AS0750R-0805F
R9	SM0805 RES 75R 1% 0.1W T200	AS0750R-0805F
R10	SM0805 RES 75R 1% 0.1W T200	AS0750R-0805F
R11	SM0805 RES 1K2 1% 0.1W T200	AS0122R-0805F
R12	SM0805 RES 20K 1% 0.1W T200	AS0203R-0805F
R13	SM0805 RES 20K 1% 0.1W T200	AS0203R-0805F
R14	SM0805 RES 10K 1% 0.1W T200	AS0103R-0805F
R15	SM0805 RES 10K 1% 0.1W T200	AS0103R-0805F
R16	SM0805 RES 20K 1% 0.1W T200	AS0203R-0805F
R17	SM0805 RES 20K 1% 0.1W T200	AS0203R-0805F
R18	SM0805 RES 75R 1% 0.1W T200	AS0750R-0805F
R19	SM0805 RES 75R 1% 0.1W T200	AS0750R-0805F
R20	SM0805 RES 75R 1% 0.1W T200	AS0750R-0805F
R21	SM0805 RES 75R 1% 0.1W T200	AS0750R-0805F
R22	SM0805 RES 20K 1% 0.1W T200	AS0203R-0805F
R23	SM0805 RES 20K 1% 0.1W T200	AS0203R-0805F
R24	SM0805 RES 20K 1% 0.1W T200	AS0203R-0805F
R25	SM0805 RES 20K 1% 0.1W T200	AS0203R-0805F
R26	SM0805 RES 10K 1% 0.1W T200	AS0103R-0805F
R27	SM0805 RES 10K 1% 0.1W T200	AS0103R-0805F
R28	SM0805 RES 47K 1% 0.1W T200	AS0473R-0805F
R29	SM0805 RES 8K2 1% 0.1W T200	AS0822R-0805F
R30	SM0805 RES 8K2 1% 0.1W T200	AS0822R-0805F
R31	SM0805 RES 75R 1% 0.1W T200	AS0750R-0805F
R32	SM0805 RES 75R 1% 0.1W T200	AS0750R-0805F
R33	SM0805 RES 75R 1% 0.1W T200	AS0750R-0805F
R34	SM0805 RES 75R 1% 0.1W T200	AS0750R-0805F
R35	SM0805 RES 75R 1% 0.1W T200	AS0750R-0805F
R36	SM0805 RES 75R 1% 0.1W T200	AS0750R-0805F
R37	SM0805 RES 75R 1% 0.1W T200	AS0750R-0805F
R38	SM0805 RES 75R 1% 0.1W T200	AS0750R-0805F
R39	SM0805 RES 20K 1% 0.1W T200	AS0203R-0805F
R40	SM0805 RES 20K 1% 0.1W T200	AS0203R-0805F
R41	SM0805 RES 20K 1% 0.1W T200	AS0203R-0805F
R42	SM0805 RES 8K2 1% 0.1W T200	AS0822R-0805F

R43	SM0805 RES 8K2 1% 0.1W T200	AS0822R-0805F
R44	SM0805 RES 20K 1% 0.1W T200	AS0203R-0805F
R45	SM0805 RES 47K 1% 0.1W T200	AS0473R-0805F
R46	SM0805 RES 1K2 1% 0.1W T200	AS0122R-0805F
R47	SM0805 RES 1K2 1% 0.1W T200	AS0122R-0805F
R48	SM0805 RES 1K2 1% 0.1W T200	AS0122R-0805F
R49	SM0805 RES 620R 1% 0.1W T200	AS0621R-0805F
R50	SM0805 RES 4K3 1% 0.1W T200	AS0432R-0805F
R51	SM0805 RES 3K9 1% 0.1W T200	AS0392R-0805F
R52	SM0805 RES 3K3 1% 0.1W T200	AS0332R-0805F
R53	SM0805 RES 6K8 1% 0.1W T200	AS0682R-0805F
R54	SM0805 RES 3K3 1% 0.1W T200	AS0332R-0805F
R55	SM0805 RES 6K8 1% 0.1W T200	AS0682R-0805F
R56	SM0805 RES 6K8 1% 0.1W T200	AS0682R-0805F
R57	SM0805 RES 1K 1% 0.1W T200	AS0102R-0805F
R58	SM0805 RES 1K 1% 0.1W T200	AS0102R-0805F
R59	SM0805 RES 9K1 1% 0.1W T200	AS0912R-0805F
R60	SM0805 RES 3K9 1% 0.1W T200	AS0392R-0805F
R61	SM0805 RES 2K2 1% 0.1W T200	AS0222R-0805F
R62	SM0805 RES 1K5 1% 0.1W T200	AS0152R-0805F
R63	SM0805 RES 620R 1% 0.1W T200	AS0621R-0805F
R64	SM0805 RES 470R 1% 0.1W T200	AS0471R-0805F
R65	SM0805 RES 330R 1% 0.1W T200	AS0331R-0805F
R66	SM0805 RES 240R 1% 0.1W T200	AS0241R-0805F
R67	SM0805 RES 2K2 1% 0.1W T200	AS0222R-0805F
R68	SM0805 RES 330R 1% 0.1W T200	AS0331R-0805F
R69	SM0805 RES 130R 1% 0.1W T200	AS0131R-0805F
R70	SM0805 RES 75R 1% 0.1W T200	AS0750R-0805F
R71	SM0805 RES 75R 1% 0.1W T200	AS0750R-0805F
R72	SM0805 RES 330R 1% 0.1W T200	AS0331R-0805F
R73	SM0805 RES 1M 1% 0.1W T200	AS0105R-0805F
R74	SM0805 RES 330R 1% 0.1W T200	AS0331R-0805F
R75	SM0805 RES 1M 1% 0.1W T200	AS0105R-0805F
R76	SM0805 RES 240R 1% 0.1W T200	AS0241R-0805F
R77	SM0805 RES 240R 1% 0.1W T200	AS0241R-0805F
R78	SM0805 RES 220K 1% 0.1W T200	AS0224R-0805F
R79	SM0805 RES 220K 1% 0.1W T200	AS0224R-0805F
R80	SM0805 RES 3K3 1% 0.1W T200	AS0332R-0805F
R81	SM0805 RES 8K2 1% 0.1W T200	AS0822R-0805F
R82	SM0805 RES 8K2 1% 0.1W T200	AS0822R-0805F
R83	SM0805 RES 220K 1% 0.1W T200	AS0224R-0805F
R84	SM0805 RES 220K 1% 0.1W T200	AS0224R-0805F
R85	SM0805 RES 1K5 1% 0.1W T200	AS0152R-0805F
R500	MMELF RES 20K 1% 0.2W 50BLF	AS2203R-0102F
R501	MMELF RES 1K2 1% 0.2W 50BLF	AS2122R-0102F
R502	MMELF RES 20K 1% 0.2W 50BLF	AS2203R-0102F
R503	MMELF RES 1K2 1% 0.2W 50BLF	AS2122R-0102F
R504	SM0805 RES 10R 1% 0.1W T200	AS0100R-0805F
R505	MMELF RES 1K2 1% 0.2W 50BLF	AS2122R-0102F
R506	MMELF RES 1K2 1% 0.2W 50BLF	AS2122R-0102F
R507	SM0805 RES 6K8 1% 0.1W T200	AS0682R-0805F
R508	SM0805 RES 6K8 1% 0.1W T200	AS0682R-0805F
R509	MMELF RES 1K2 1% 0.2W 50BLF	AS2122R-0102F
R510	MMELF RES 1K2 1% 0.2W 50BLF	AS2122R-0102F
R511	SM0805 RES 4K3 1% 0.1W T200	AS0432R-0805F
R512	SM0805 RES 4K3 1% 0.1W T200	AS0432R-0805F
R515	SM0805 RES 20K 1% 0.1W T200	AS0203R-0805F
R516	SM0805 RES 20K 1% 0.1W T200	AS0203R-0805F
R517	SM0805 RES 8K2 1% 0.1W T200	AS0822R-0805F
R518	SM0805 RES 8K2 1% 0.1W T200	AS0822R-0805F
R519	SM0805 RES 3K3 1% 0.1W T200	AS0332R-0805F
R520	SM0805 RES 3K3 1% 0.1W T200	AS0332R-0805F
R521	SM0805 RES 20K 1% 0.1W T200	AS0203R-0805F
R522	SM0805 RES 47K 1% 0.1W T200	AS0473R-0805F
R523	SM0805 RES 20K 1% 0.1W T200	AS0203R-0805F
R524	SM0805 RES 10K 1% 0.1W T200	AS0103R-0805F
R525	SM0805 RES 4K3 1% 0.1W T200	AS0432R-0805F
R526	SM0805 RES 10K 1% 0.1W T200	AS0103R-0805F
R527	SM0805 RES 10K 1% 0.1W T200	AS0103R-0805F
R528	SM0805 RES 10K 1% 0.1W T200	AS0103R-0805F
R529	SM0805 RES 10K 1% 0.1W T200	AS0103R-0805F
R530	SM0805 RES 10K 1% 0.1W T200	AS0103R-0805F
R531	SM0805 RES 10K 1% 0.1W T200	AS0103R-0805F

R532	SM0805 RES 4K3 1% 0.1W T200	AS0432R-0805F
R533	SM0805 RES 47K 1% 0.1W T200	AS0473R-0805F
R534	SM0805 RES 4K3 1% 0.1W T200	AS0432R-0805F
R535	SM0805 RES 620R 1% 0.1W T200	AS0621R-0805F
R536	SM0805 RES 75R 1% 0.1W T200	AS0750R-0805F
R538	SM0805 RES 47K 1% 0.1W T200	AS0473R-0805F
R600	MMELF RES 20K 1% 0.2W 50BLF	AS2203R-0102F
R601	MMELF RES 1K2 1% 0.2W 50BLF	AS2122R-0102F
R602	MMELF RES 20K 1% 0.2W 50BLF	AS2203R-0102F
R603	MMELF RES 1K2 1% 0.2W 50BLF	AS2122R-0102F
R604	SM0805 RES 10R 1% 0.1W T200	AS0100R-0805F
R605	MMELF RES 1K2 1% 0.2W 50BLF	AS2122R-0102F
R606	MMELF RES 1K2 1% 0.2W 50BLF	AS2122R-0102F
R607	SM0805 RES 6K8 1% 0.1W T200	AS0682R-0805F
R608	SM0805 RES 6K8 1% 0.1W T200	AS0682R-0805F
R609	MMELF RES 1K2 1% 0.2W 50BLF	AS2122R-0102F
R610	MMELF RES 1K2 1% 0.2W 50BLF	AS2122R-0102F
R611	SM0805 RES 4K3 1% 0.1W T200	AS0432R-0805F
R612	SM0805 RES 4K3 1% 0.1W T200	AS0432R-0805F
R615	SM0805 RES 20K 1% 0.1W T200	AS0203R-0805F
R616	SM0805 RES 20K 1% 0.1W T200	AS0203R-0805F
R617	SM0805 RES 8K2 1% 0.1W T200	AS0822R-0805F
R618	SM0805 RES 8K2 1% 0.1W T200	AS0822R-0805F
R619	SM0805 RES 3K3 1% 0.1W T200	AS0332R-0805F
R620	SM0805 RES 3K3 1% 0.1W T200	AS0332R-0805F
R621	SM0805 RES 20K 1% 0.1W T200	AS0203R-0805F
R622	SM0805 RES 47K 1% 0.1W T200	AS0473R-0805F
R623	SM0805 RES 20K 1% 0.1W T200	AS0203R-0805F
R624	SM0805 RES 10K 1% 0.1W T200	AS0103R-0805F
R625	SM0805 RES 4K3 1% 0.1W T200	AS0432R-0805F
R626	SM0805 RES 10K 1% 0.1W T200	AS0103R-0805F
R627	SM0805 RES 10K 1% 0.1W T200	AS0103R-0805F
R628	SM0805 RES 10K 1% 0.1W T200	AS0103R-0805F
R629	SM0805 RES 10K 1% 0.1W T200	AS0103R-0805F
R630	SM0805 RES 10K 1% 0.1W T200	AS0103R-0805F
R631	SM0805 RES 10K 1% 0.1W T200	AS0103R-0805F
R632	SM0805 RES 4K3 1% 0.1W T200	AS0432R-0805F
R633	SM0805 RES 47K 1% 0.1W T200	AS0473R-0805F
R634	SM0805 RES 4K3 1% 0.1W T200	AS0432R-0805F
R635	SM0805 RES 620R 1% 0.1W T200	AS0621R-0805F
R636	SM0805 RES 75R 1% 0.1W T200	AS0750R-0805F
R638	SM0805 RES 47K 1% 0.1W T200	AS0473R-0805F
R700	MMELF RES 20K 1% 0.2W 50BLF	AS2203R-0102F
R701	MMELF RES 1K2 1% 0.2W 50BLF	AS2122R-0102F
R702	MMELF RES 20K 1% 0.2W 50BLF	AS2203R-0102F
R703	MMELF RES 1K2 1% 0.2W 50BLF	AS2122R-0102F
R704	SM0805 RES 10R 1% 0.1W T200	AS0100R-0805F
R705	MMELF RES 1K2 1% 0.2W 50BLF	AS2122R-0102F
R706	MMELF RES 1K2 1% 0.2W 50BLF	AS2122R-0102F
R707	SM0805 RES 6K8 1% 0.1W T200	AS0682R-0805F
R708	SM0805 RES 6K8 1% 0.1W T200	AS0682R-0805F
R709	MMELF RES 1K2 1% 0.2W 50BLF	AS2122R-0102F
R710	MMELF RES 1K2 1% 0.2W 50BLF	AS2122R-0102F
R711	SM0805 RES 4K3 1% 0.1W T200	AS0432R-0805F
R712	SM0805 RES 4K3 1% 0.1W T200	AS0432R-0805F
R715	SM0805 RES 20K 1% 0.1W T200	AS0203R-0805F
R716	SM0805 RES 20K 1% 0.1W T200	AS0203R-0805F
R717	SM0805 RES 8K2 1% 0.1W T200	AS0822R-0805F
R718	SM0805 RES 8K2 1% 0.1W T200	AS0822R-0805F
R719	SM0805 RES 3K3 1% 0.1W T200	AS0332R-0805F
R720	SM0805 RES 3K3 1% 0.1W T200	AS0332R-0805F
R721	SM0805 RES 20K 1% 0.1W T200	AS0203R-0805F
R722	SM0805 RES 47K 1% 0.1W T200	AS0473R-0805F
R723	SM0805 RES 20K 1% 0.1W T200	AS0203R-0805F
R724	SM0805 RES 10K 1% 0.1W T200	AS0103R-0805F
R725	SM0805 RES 4K3 1% 0.1W T200	AS0432R-0805F
R726	SM0805 RES 10K 1% 0.1W T200	AS0103R-0805F
R727	SM0805 RES 10K 1% 0.1W T200	AS0103R-0805F
R728	SM0805 RES 10K 1% 0.1W T200	AS0103R-0805F
R729	SM0805 RES 10K 1% 0.1W T200	AS0103R-0805F
R730	SM0805 RES 10K 1% 0.1W T200	AS0103R-0805F
R731	SM0805 RES 10K 1% 0.1W T200	AS0103R-0805F
R732	SM0805 RES 4K3 1% 0.1W T200	AS0432R-0805F

R733	SM0805 RES 47K 1% 0.1W T200	AS0473R-0805F
R734	SM0805 RES 4K3 1% 0.1W T200	AS0432R-0805F
R735	SM0805 RES 620R 1% 0.1W T200	AS0621R-0805F
R736	SM0805 RES 75R 1% 0.1W T200	AS0750R-0805F
R738	SM0805 RES 47K 1% 0.1W T200	AS0473R-0805F
R800	MMELF RES 20K 1% 0.2W 50BLF	AS2203R-0102F
R801	MMELF RES 1K2 1% 0.2W 50BLF	AS2122R-0102F
R802	MMELF RES 20K 1% 0.2W 50BLF	AS2203R-0102F
R803	MMELF RES 1K2 1% 0.2W 50BLF	AS2122R-0102F
R804	SM0805 RES 10R 1% 0.1W T200	AS0100R-0805F
R805	MMELF RES 1K2 1% 0.2W 50BLF	AS2122R-0102F
R806	MMELF RES 1K2 1% 0.2W 50BLF	AS2122R-0102F
R807	SM0805 RES 6K8 1% 0.1W T200	AS0682R-0805F
R808	SM0805 RES 6K8 1% 0.1W T200	AS0682R-0805F
R809	MMELF RES 1K2 1% 0.2W 50BLF	AS2122R-0102F
R810	MMELF RES 1K2 1% 0.2W 50BLF	AS2122R-0102F
R811	SM0805 RES 4K3 1% 0.1W T200	AS0432R-0805F
R812	SM0805 RES 4K3 1% 0.1W T200	AS0432R-0805F
R815	SM0805 RES 20K 1% 0.1W T200	AS0203R-0805F
R816	SM0805 RES 20K 1% 0.1W T200	AS0203R-0805F
R817	SM0805 RES 8K2 1% 0.1W T200	AS0822R-0805F
R818	SM0805 RES 8K2 1% 0.1W T200	AS0822R-0805F
R819	SM0805 RES 3K3 1% 0.1W T200	AS0332R-0805F
R820	SM0805 RES 3K3 1% 0.1W T200	AS0332R-0805F
R821	SM0805 RES 20K 1% 0.1W T200	AS0203R-0805F
R822	SM0805 RES 47K 1% 0.1W T200	AS0473R-0805F
R823	SM0805 RES 20K 1% 0.1W T200	AS0203R-0805F
R824	SM0805 RES 10K 1% 0.1W T200	AS0103R-0805F
R825	SM0805 RES 4K3 1% 0.1W T200	AS0432R-0805F
R826	SM0805 RES 10K 1% 0.1W T200	AS0103R-0805F
R827	SM0805 RES 10K 1% 0.1W T200	AS0103R-0805F
R928	SM0805 RES 10K 1% 0.1W T200	AS0103R-0805F
R829	SM0805 RES 10K 1% 0.1W T200	AS0103R-0805F
R830	SM0805 RES 10K 1% 0.1W T200	AS0103R-0805F
R831	SM0805 RES 10K 1% 0.1W T200	AS0103R-0805F
R832	SM0805 RES 4K3 1% 0.1W T200	AS0432R-0805F
R833	SM0805 RES 47K 1% 0.1W T200	AS0473R-0805F
R834	SM0805 RES 4K3 1% 0.1W T200	AS0432R-0805F
R835	SM0805 RES 620R 1% 0.1W T200	AS0621R-0805F
R836	SM0805 RES 75R 1% 0.1W T200	AS0750R-0805F
R838	SM0805 RES 47K 1% 0.1W T200	AS0473R-0805F
R900	MMELF RES 20K 1% 0.2W 50BLF	AS2203R-0102F
R901	MMELF RES 1K2 1% 0.2W 50BLF	AS2122R-0102F
R902	MMELF RES 20K 1% 0.2W 50BLF	AS2203R-0102F
R903	MMELF RES 1K2 1% 0.2W 50BLF	AS2122R-0102F
R904	SM0805 RES 10R 1% 0.1W T200	AS0100R-0805F
R905	MMELF RES 1K2 1% 0.2W 50BLF	AS2122R-0102F
R906	MMELF RES 1K2 1% 0.2W 50BLF	AS2122R-0102F
R907	SM0805 RES 6K8 1% 0.1W T200	AS0682R-0805F
R908	SM0805 RES 6K8 1% 0.1W T200	AS0682R-0805F
R909	MMELF RES 1K2 1% 0.2W 50BLF	AS2122R-0102F
R910	MMELF RES 1K2 1% 0.2W 50BLF	AS2122R-0102F
R911	SM0805 RES 4K3 1% 0.1W T200	AS0432R-0805F
R912	SM0805 RES 4K3 1% 0.1W T200	AS0432R-0805F
R915	SM0805 RES 20K 1% 0.1W T200	AS0203R-0805F
R916	SM0805 RES 20K 1% 0.1W T200	AS0203R-0805F
R917	SM0805 RES 8K2 1% 0.1W T200	AS0822R-0805F
R918	SM0805 RES 8K2 1% 0.1W T200	AS0822R-0805F
R919	SM0805 RES 3K3 1% 0.1W T200	AS0332R-0805F
R920	SM0805 RES 3K3 1% 0.1W T200	AS0332R-0805F
R921	SM0805 RES 20K 1% 0.1W T200	AS0203R-0805F
R922	SM0805 RES 47K 1% 0.1W T200	AS0473R-0805F
R923	SM0805 RES 20K 1% 0.1W T200	AS0203R-0805F
R924	SM0805 RES 10K 1% 0.1W T200	AS0103R-0805F
R925	SM0805 RES 4K3 1% 0.1W T200	AS0432R-0805F
R926	SM0805 RES 10K 1% 0.1W T200	AS0103R-0805F
R927	SM0805 RES 10K 1% 0.1W T200	AS0103R-0805F
R928	SM0805 RES 10K 1% 0.1W T200	AS0103R-0805F
R929	SM0805 RES 10K 1% 0.1W T200	AS0103R-0805F
R930	SM0805 RES 10K 1% 0.1W T200	AS0103R-0805F
R931	SM0805 RES 10K 1% 0.1W T200	AS0103R-0805F
R932	SM0805 RES 4K3 1% 0.1W T200	AS0432R-0805F
R933	SM0805 RES 47K 1% 0.1W T200	AS0473R-0805F

R934	SM0805 RES 4K3 1% 0.1W T200	AS0432R-0805F
R935	SM0805 RES 620R 1% 0.1W T200	AS0621R-0805F
R936	SM0805 RES 75R 1% 0.1W T200	AS0750R-0805F
R938	SM0805 RES 47K 1% 0.1W T200	AS0473R-0805F
R1000	MMELF RES 20K 1% 0.2W 50BLF	AS2203R-0102F
R1001	MMELF RES 1K2 1% 0.2W 50BLF	AS2122R-0102F
R1002	MMELF RES 20K 1% 0.2W 50BLF	AS2203R-0102F
R1003	MMELF RES 1K2 1% 0.2W 50BLF	AS2122R-0102F
R1004	SM0805 RES 10R 1% 0.1W T200	AS0100R-0805F
R1005	MMELF RES 1K2 1% 0.2W 50BLF	AS2122R-0102F
R1006	MMELF RES 1K2 1% 0.2W 50BLF	AS2122R-0102F
R1007	SM0805 RES 6K8 1% 0.1W T200	AS0682R-0805F
R1008	SM0805 RES 6K8 1% 0.1W T200	AS0682R-0805F
R1009	MMELF RES 1K2 1% 0.2W 50BLF	AS2122R-0102F
R1010	MMELF RES 1K2 1% 0.2W 50BLF	AS2122R-0102F
R1011	SM0805 RES 4K3 1% 0.1W T200	AS0432R-0805F
R1012	SM0805 RES 4K3 1% 0.1W T200	AS0432R-0805F
R1015	SM0805 RES 20K 1% 0.1W T200	AS0203R-0805F
R1016	SM0805 RES 20K 1% 0.1W T200	AS0203R-0805F
R1017	SM0805 RES 8K2 1% 0.1W T200	AS0822R-0805F
R1018	SM0805 RES 8K2 1% 0.1W T200	AS0822R-0805F
R1019	SM0805 RES 3K3 1% 0.1W T200	AS0332R-0805F
R1020	SM0805 RES 3K3 1% 0.1W T200	AS0332R-0805F
R1021	SM0805 RES 20K 1% 0.1W T200	AS0203R-0805F
R1022	SM0805 RES 47K 1% 0.1W T200	AS0473R-0805F
R1023	SM0805 RES 20K 1% 0.1W T200	AS0203R-0805F
R1024	SM0805 RES 10K 1% 0.1W T200	AS0103R-0805F
R1025	SM0805 RES 4K3 1% 0.1W T200	AS0432R-0805F
R1026	SM0805 RES 10K 1% 0.1W T200	AS0103R-0805F
R1027	SM0805 RES 10K 1% 0.1W T200	AS0103R-0805F
R1028	SM0805 RES 10K 1% 0.1W T200	AS0103R-0805F
R1029	SM0805 RES 10K 1% 0.1W T200	AS0103R-0805F
R1030	SM0805 RES 10K 1% 0.1W T200	AS0103R-0805F
R1031	SM0805 RES 10K 1% 0.1W T200	AS0103R-0805F
R1032	SM0805 RES 4K3 1% 0.1W T200	AS0432R-0805F
R1033	SM0805 RES 47K 1% 0.1W T200	AS0473R-0805F
R1034	SM0805 RES 4K3 1% 0.1W T200	AS0432R-0805F
R1035	SM0805 RES 620R 1% 0.1W T200	AS0621R-0805F
R1036	SM0805 RES 75R 1% 0.1W T200	AS0750R-0805F
R1038	SM0805 RES 47K 1% 0.1W T200	AS0473R-0805F
R1100	MMELF RES 20K 1% 0.2W 50BLF	AS2203R-0102F
R1101	MMELF RES 1K2 1% 0.2W 50BLF	AS2122R-0102F
R1102	MMELF RES 20K 1% 0.2W 50BLF	AS2203R-0102F
R1103	MMELF RES 1K2 1% 0.2W 50BLF	AS2122R-0102F
R1104	SM0805 RES 10R 1% 0.1W T200	AS0100R-0805F
R1105	MMELF RES 1K2 1% 0.2W 50BLF	AS2122R-0102F
R1106	MMELF RES 1K2 1% 0.2W 50BLF	AS2122R-0102F
R1107	SM0805 RES 6K8 1% 0.1W T200	AS0682R-0805F
R1108	SM0805 RES 6K8 1% 0.1W T200	AS0682R-0805F
R1109	MMELF RES 1K2 1% 0.2W 50BLF	AS2122R-0102F
R1110	MMELF RES 1K2 1% 0.2W 50BLF	AS2122R-0102F
R1111	SM0805 RES 4K3 1% 0.1W T200	AS0432R-0805F
R1112	SM0805 RES 4K3 1% 0.1W T200	AS0432R-0805F
R1115	SM0805 RES 20K 1% 0.1W T200	AS0203R-0805F
R1116	SM0805 RES 20K 1% 0.1W T200	AS0203R-0805F
R1117	SM0805 RES 8K2 1% 0.1W T200	AS0822R-0805F
R1118	SM0805 RES 8K2 1% 0.1W T200	AS0822R-0805F
R1119	SM0805 RES 3K3 1% 0.1W T200	AS0332R-0805F
R1120	SM0805 RES 3K3 1% 0.1W T200	AS0332R-0805F
R1121	SM0805 RES 20K 1% 0.1W T200	AS0203R-0805F
R1122	SM0805 RES 47K 1% 0.1W T200	AS0473R-0805F
R1123	SM0805 RES 20K 1% 0.1W T200	AS0203R-0805F
R1124	SM0805 RES 10K 1% 0.1W T200	AS0103R-0805F
R1125	SM0805 RES 4K3 1% 0.1W T200	AS0432R-0805F
R1126	SM0805 RES 10K 1% 0.1W T200	AS0103R-0805F
R1127	SM0805 RES 10K 1% 0.1W T200	AS0103R-0805F
R1128	SM0805 RES 10K 1% 0.1W T200	AS0103R-0805F
R1129	SM0805 RES 10K 1% 0.1W T200	AS0103R-0805F
R1130	SM0805 RES 10K 1% 0.1W T200	AS0103R-0805F
R1131	SM0805 RES 10K 1% 0.1W T200	AS0103R-0805F
R1132	SM0805 RES 4K3 1% 0.1W T200	AS0432R-0805F
R1133	SM0805 RES 47K 1% 0.1W T200	AS0473R-0805F
R1134	SM0805 RES 4K3 1% 0.1W T200	AS0432R-0805F

R1135	SM0805 RES 620R 1% 0.1W T200	AS0621R-0805F
R1136	SM0805 RES 75R 1% 0.1W T200	AS0750R-0805F
R1138	SM0805 RES 47K 1% 0.1W T200	AS0473R-0805F
R1200	MMELF RES 20K 1% 0.2W 50BLF	AS2203R-0102F
R1201	MMELF RES 1K2 1% 0.2W 50BLF	AS2122R-0102F
R1202	MMELF RES 20K 1% 0.2W 50BLF	AS2203R-0102F
R1203	MMELF RES 1K2 1% 0.2W 50BLF	AS2122R-0102F
R1204	SM0805 RES 10R 1% 0.1W T200	AS0100R-0805F
R1205	MMELF RES 1K2 1% 0.2W 50BLF	AS2122R-0102F
R1206	MMELF RES 1K2 1% 0.2W 50BLF	AS2122R-0102F
R1207	SM0805 RES 6K8 1% 0.1W T200	AS0682R-0805F
R1208	SM0805 RES 6K8 1% 0.1W T200	AS0682R-0805F
R1209	MMELF RES 1K2 1% 0.2W 50BLF	AS2122R-0102F
R1210	MMELF RES 1K2 1% 0.2W 50BLF	AS2122R-0102F
R1211	SM0805 RES 4K3 1% 0.1W T200	AS0432R-0805F
R1212	SM0805 RES 4K3 1% 0.1W T200	AS0432R-0805F
R1215	SM0805 RES 20K 1% 0.1W T200	AS0203R-0805F
R1216	SM0805 RES 20K 1% 0.1W T200	AS0203R-0805F
R1217	SM0805 RES 8K2 1% 0.1W T200	AS0822R-0805F
R1218	SM0805 RES 8K2 1% 0.1W T200	AS0822R-0805F
R1219	SM0805 RES 3K3 1% 0.1W T200	AS0332R-0805F
R1220	SM0805 RES 3K3 1% 0.1W T200	AS0332R-0805F
R1221	SM0805 RES 20K 1% 0.1W T200	AS0203R-0805F
R1222	SM0805 RES 47K 1% 0.1W T200	AS0473R-0805F
R1223	SM0805 RES 20K 1% 0.1W T200	AS0203R-0805F
R1224	SM0805 RES 10K 1% 0.1W T200	AS0103R-0805F
R1225	SM0805 RES 4K3 1% 0.1W T200	AS0432R-0805F
R1226	SM0805 RES 10K 1% 0.1W T200	AS0103R-0805F
R1227	SM0805 RES 10K 1% 0.1W T200	AS0103R-0805F
R1228	SM0805 RES 10K 1% 0.1W T200	AS0103R-0805F
R1229	SM0805 RES 10K 1% 0.1W T200	AS0103R-0805F
R1230	SM0805 RES 10K 1% 0.1W T200	AS0103R-0805F
R1231	SM0805 RES 10K 1% 0.1W T200	AS0103R-0805F
R1232	SM0805 RES 4K3 1% 0.1W T200	AS0432R-0805F
R1233	SM0805 RES 47K 1% 0.1W T200	AS0473R-0805F
R1234	SM0805 RES 4K3 1% 0.1W T200	AS0432R-0805F
R1235	SM0805 RES 620R 1% 0.1W T200	AS0621R-0805F
R1236	SM0805 RES 75R 1% 0.1W T200	AS0750R-0805F
R1238	SM0805 RES 47K 1% 0.1W T200	AS0473R-0805F
R1300	SM0805 RES 4K3 1% 0.1W T200	AS0432R-0805F
R1301	SM0805 RES 4K3 1% 0.1W T200	AS0432R-0805F
R1302	SM0805 RES 4K3 1% 0.1W T200	AS0432R-0805F
R1303	SM0805 RES 20K 1% 0.1W T200	AS0203R-0805F
R1304	SM0805 RES 10K 1% 0.1W T200	AS0103R-0805F
R1305	SM0805 RES 4K3 1% 0.1W T200	AS0432R-0805F
R1306	SM0805 RES 20K 1% 0.1W T200	AS0203R-0805F
R1307	SM0805 RES 10K 1% 0.1W T200	AS0103R-0805F
R1308	SM0805 RES 4K3 1% 0.1W T200	AS0432R-0805F
R1309	SM0805 RES 20K 1% 0.1W T200	AS0203R-0805F
R1310	SM0805 RES 20K 1% 0.1W T200	AS0203R-0805F
R1311	SM0805 RES 20K 1% 0.1W T200	AS0203R-0805F
R1312	SM0805 RES 20K 1% 0.1W T200	AS0203R-0805F
R1313	SM0805 RES 10K 1% 0.1W T200	AS0103R-0805F
R1314	SM0805 RES 10K 1% 0.1W T200	AS0103R-0805F
R1315	SM0805 RES 47K 1% 0.1W T200	AS0473R-0805F
R1316	SM0805 RES 620R 1% 0.1W T200	AS0621R-0805F
R1317	SM0805 RES 47K 1% 0.1W T200	AS0473R-0805F
R1318	SM0805 RES 47K 1% 0.1W T200	AS0473R-0805F
R1322	SM0805 RES 47K 1% 0.1W T200	AS0473R-0805F
R1324	SM0805 RES 15K 1% 0.1W T200	AS0153R-0805F
R1325	SM0805 RES 15K 1% 0.1W T200	AS0153R-0805F
R1326	SM0805 RES 15K 1% 0.1W T200	AS0153R-0805F
R1327	SM0805 RES 3K3 1% 0.1W T200	AS0332R-0805F
R1328	SM0805 RES 3K3 1% 0.1W T200	AS0332R-0805F
R1329	SM0805 RES 20K 1% 0.1W T200	AS0203R-0805F
R1330	SM0805 RES 47K 1% 0.1W T200	AS0473R-0805F
R1331	SM0805 RES 3K3 1% 0.1W T200	AS0332R-0805F
R1332	SM0805 RES 3K3 1% 0.1W T200	AS0332R-0805F
R1333	SM0805 RES 15K 1% 0.1W T200	AS0153R-0805F
R1334	SM0805 RES 20K 1% 0.1W T200	AS0203R-0805F
R1335	SM0805 RES 47K 1% 0.1W T200	AS0473R-0805F
R1336	SM0805 RES 620R 1% 0.1W T200	AS0621R-0805F
R1337	SM0805 RES 620R 1% 0.1W T200	AS0621R-0805F

R1338	SM0805 RES 3K3 1% 0.1W T200	AS0332R-0805F
R1339	SM0805 RES 3K3 1% 0.1W T200	AS0332R-0805F
R1340	SM0805 RES 3K3 1% 0.1W T200	AS0332R-0805F
R1341	SM0805 RES 3K3 1% 0.1W T200	AS0332R-0805F
R1342	SM0805 RES 1K5 1% 0.1W T200	AS0152R-0805F
R1343	SM0805 RES 1K5 1% 0.1W T200	AS0152R-0805F
R1344	SM0805 RES 2K2 1% 0.1W T200	AS0222R-0805F
R1346	SM0805 RES 20K 1% 0.1W T200	AS0203R-0805F
R1347	SM0805 RES 20K 1% 0.1W T200	AS0203R-0805F
R1348	SM0805 RES 20K 1% 0.1W T200	AS0203R-0805F
R1349	SM0805 RES 20K 1% 0.1W T200	AS0203R-0805F
R1350	SM0805 RES 47K 1% 0.1W T200	AS0473R-0805F
R1400	SM0805 RES 4K3 1% 0.1W T200	AS0432R-0805F
R1401	SM0805 RES 4K3 1% 0.1W T200	AS0432R-0805F
R1402	SM0805 RES 4K3 1% 0.1W T200	AS0432R-0805F
R1403	SM0805 RES 20K 1% 0.1W T200	AS0203R-0805F
R1404	SM0805 RES 10K 1% 0.1W T200	AS0103R-0805F
R1405	SM0805 RES 4K3 1% 0.1W T200	AS0432R-0805F
R1406	SM0805 RES 20K 1% 0.1W T200	AS0203R-0805F
R1407	SM0805 RES 10K 1% 0.1W T200	AS0103R-0805F
R1408	SM0805 RES 4K3 1% 0.1W T200	AS0432R-0805F
R1409	SM0805 RES 20K 1% 0.1W T200	AS0203R-0805F
R1410	SM0805 RES 20K 1% 0.1W T200	AS0203R-0805F
R1411	SM0805 RES 20K 1% 0.1W T200	AS0203R-0805F
R1412	SM0805 RES 20K 1% 0.1W T200	AS0203R-0805F
R1413	SM0805 RES 10K 1% 0.1W T200	AS0103R-0805F
R1414	SM0805 RES 10K 1% 0.1W T200	AS0103R-0805F
R1415	SM0805 RES 47K 1% 0.1W T200	AS0473R-0805F
R1416	SM0805 RES 620R 1% 0.1W T200	AS0621R-0805F
R1417	SM0805 RES 47K 1% 0.1W T200	AS0473R-0805F
R1418	SM0805 RES 47K 1% 0.1W T200	AS0473R-0805F
R1422	SM0805 RES 47K 1% 0.1W T200	AS0473R-0805F
R1424	SM0805 RES 15K 1% 0.1W T200	AS0153R-0805F
R1425	SM0805 RES 15K 1% 0.1W T200	AS0153R-0805F
R1426	SM0805 RES 15K 1% 0.1W T200	AS0153R-0805F
R1427	SM0805 RES 3K3 1% 0.1W T200	AS0332R-0805F
R1428	SM0805 RES 3K3 1% 0.1W T200	AS0332R-0805F
R1429	SM0805 RES 20K 1% 0.1W T200	AS0203R-0805F
R1430	SM0805 RES 47K 1% 0.1W T200	AS0473R-0805F
R1431	SM0805 RES 3K3 1% 0.1W T200	AS0332R-0805F
R1432	SM0805 RES 3K3 1% 0.1W T200	AS0332R-0805F
R1433	SM0805 RES 15K 1% 0.1W T200	AS0153R-0805F
R1434	SM0805 RES 20K 1% 0.1W T200	AS0203R-0805F
R1435	SM0805 RES 47K 1% 0.1W T200	AS0473R-0805F
R1436	SM0805 RES 620R 1% 0.1W T200	AS0621R-0805F
R1437	SM0805 RES 620R 1% 0.1W T200	AS0621R-0805F
R1438	SM0805 RES 3K3 1% 0.1W T200	AS0332R-0805F
R1439	SM0805 RES 3K3 1% 0.1W T200	AS0332R-0805F
R1440	SM0805 RES 3K3 1% 0.1W T200	AS0332R-0805F
R1441	SM0805 RES 3K3 1% 0.1W T200	AS0332R-0805F
R1442	SM0805 RES 1K5 1% 0.1W T200	AS0152R-0805F
R1443	SM0805 RES 1K5 1% 0.1W T200	AS0152R-0805F
R1444	SM0805 RES 2K2 1% 0.1W T200	AS0222R-0805F
R1446	SM0805 RES 20K 1% 0.1W T200	AS0203R-0805F
R1447	SM0805 RES 20K 1% 0.1W T200	AS0203R-0805F
R1448	SM0805 RES 20K 1% 0.1W T200	AS0203R-0805F
R1449	SM0805 RES 20K 1% 0.1W T200	AS0203R-0805F
R1450	SM0805 RES 47K 1% 0.1W T200	AS0473R-0805F
TR1	TRANS BC856B-SOT23 PNP XES0-	BD10027
TR2	TRANS BC856B-SOT23 PNP XES0-	BD10027
TR1002	NPN TRANS BC846B	BS0506R-SOT23
TR1003	NPN TRANS BC846B	BS0506R-SOT23
TR1004	NPN TRANS BC846B	BS0506R-SOT23
TR1102	NPN TRANS BC846B	BS0506R-SOT23
TR1103	NPN TRANS BC846B	BS0506R-SOT23
TR1104	NPN TRANS BC846B	BS0506R-SOT23
TR1202	NPN TRANS BC846B	BS0506R-SOT23
TR1203	NPN TRANS BC846B	BS0506R-SOT23
TR1204	NPN TRANS BC846B	BS0506R-SOT23
TR1300	NPN TRANS BC846B	BS0506R-SOT23
TR1400	NPN TRANS BC846B	BS0506R-SOT23
TR502	NPN TRANS BC846B	BS0506R-SOT23
TR503	NPN TRANS BC846B	BS0506R-SOT23

C705	CAP CRMC 22PF 10% 50V NPO	CS1220R-0805K
C706	CAP CRMC 22PF 10% 50V NPO	CS1220R-0805K
C720	CAP CRMC 100NF 10% 50V X7R	CS7104R-0805K
C803	CAP CRMC 680PF 5% 50V	CS1681R-0805J
C804	CAP CRMC 680PF 5% 50V	CS1681R-0805J
C805	CAP CRMC 22PF 10% 50V NPO	CS1220R-0805K
C806	CAP CRMC 22PF 10% 50V NPO	CS1220R-0805K
C820	CAP CRMC 100NF 10% 50V X7R	CS7104R-0805K
C903	CAP CRMC 680PF 5% 50V	CS1681R-0805J
C904	CAP CRMC 680PF 5% 50V	CS1681R-0805J
C905	CAP CRMC 22PF 10% 50V NPO	CS1220R-0805K
C906	CAP CRMC 22PF 10% 50V NPO	CS1220R-0805K
C916	CAP CRMC 100NF 10% 50V X7R	CS7104R-0805K
C920	CAP CRMC 100NF 10% 50V X7R	CS7104R-0805K
C1003	CAP CRMC 680PF 5% 50V	CS1681R-0805J
C1004	CAP CRMC 680PF 5% 50V	CS1681R-0805J
C1005	CAP CRMC 22PF 10% 50V NPO	CS1220R-0805K
C1006	CAP CRMC 22PF 10% 50V NPO	CS1220R-0805K
C1016	CAP CRMC 100NF 10% 50V X7R	CS7104R-0805K
C1020	CAP CRMC 100NF 10% 50V X7R	CS7104R-0805K
C1103	CAP CRMC 680PF 5% 50V	CS1681R-0805J
C1104	CAP CRMC 680PF 5% 50V	CS1681R-0805J
C1105	CAP CRMC 22PF 10% 50V NPO	CS1220R-0805K
C1106	CAP CRMC 22PF 10% 50V NPO	CS1220R-0805K
C1120	CAP CRMC 100NF 10% 50V X7R	CS7104R-0805K
C1203	CAP CRMC 680PF 5% 50V	CS1681R-0805J
C1204	CAP CRMC 680PF 5% 50V	CS1681R-0805J
C1205	CAP CRMC 22PF 10% 50V NPO	CS1220R-0805K
C1206	CAP CRMC 22PF 10% 50V NPO	CS1220R-0805K
C1220	CAP CRMC 100NF 10% 50V X7R	CS7104R-0805K
C1300	CAP CRMC 100NF 10% 50V X7R	CS7104R-0805K
C1307	CAP CRMC 680PF 5% 50V	CS1681R-0805J
C1308	CAP CRMC 680PF 5% 50V	CS1681R-0805J
C1309	CAP CRMC 680PF 5% 50V	CS1681R-0805J
C1310	CAP CRMC 680PF 5% 50V	CS1681R-0805J
C1400	CAP CRMC 100NF 10% 50V X7R	CS7104R-0805K
C1407	CAP CRMC 680PF 5% 50V	CS1681R-0805J
C1408	CAP CRMC 680PF 5% 50V	CS1681R-0805J
C1409	CAP CRMC 680PF 5% 50V	CS1681R-0805J
C1410	CAP CRMC 680PF 5% 50V	CS1681R-0805J
D1	BAV70 SM DUAL DIODE COM CATH	BS0013R-SOT23
D2	BAV70 SM DUAL DIODE COM CATH	BS0013R-SOT23
D100	BAV70 SM DUAL DIODE COM CATH	BS0013R-SOT23
D1000	BAV70 SM DUAL DIODE COM CATH	BS0013R-SOT23
D1001	BAV70 SM DUAL DIODE COM CATH	BS0013R-SOT23
D1003	BAV70 SM DUAL DIODE COM CATH	BS0013R-SOT23
D1004	BAV70 SM DUAL DIODE COM CATH	BS0013R-SOT23
D101	BAV70 SM DUAL DIODE COM CATH	BS0013R-SOT23
D103	BAV70 SM DUAL DIODE COM CATH	BS0013R-SOT23
D104	BAV70 SM DUAL DIODE COM CATH	BS0013R-SOT23
D1100	BAV70 SM DUAL DIODE COM CATH	BS0013R-SOT23
D1101	BAV70 SM DUAL DIODE COM CATH	BS0013R-SOT23
D1103	BAV70 SM DUAL DIODE COM CATH	BS0013R-SOT23
D1104	BAV70 SM DUAL DIODE COM CATH	BS0013R-SOT23
D1200	BAV70 SM DUAL DIODE COM CATH	BS0013R-SOT23
D1201	BAV70 SM DUAL DIODE COM CATH	BS0013R-SOT23
D1203	BAV70 SM DUAL DIODE COM CATH	BS0013R-SOT23
D1204	BAV70 SM DUAL DIODE COM CATH	BS0013R-SOT23
D1300	BAV70 SM DUAL DIODE COM CATH	BS0013R-SOT23
D1301	BAV70 SM DUAL DIODE COM CATH	BS0013R-SOT23
D1400	BAV70 SM DUAL DIODE COM CATH	BS0013R-SOT23
D1401	BAV70 SM DUAL DIODE COM CATH	BS0013R-SOT23
D200	BAV70 SM DUAL DIODE COM CATH	BS0013R-SOT23
D201	BAV70 SM DUAL DIODE COM CATH	ES0013R-SOT23
D203	BAV70 SM DUAL DIODE COM CATH	BS0013R-SOT23
D204	BAV70 SM DUAL DIODE COM CATH	BS0013R-SOT23
D300	BAV70 SM DUAL DIODE COM CATH	BS0013R-SOT23
D301	BAV70 SM DUAL DIODE COM CATH	BS0013R-SOT23
D303	BAV70 SM DUAL DIODE COM CATH	BS0013R-SOT23
D304	BAV70 SM DUAL DIODE COM CATH	BS0013R-SOT23
D400	BAV70 SM DUAL DIODE COM CATH	BS0013R-SOT23
D401	BAV70 SM DUAL DIODE COM CATH	BS0013R-SOT23
D403	BAV70 SM DUAL DIODE COM CATH	BS0013R-SOT23

D404	BAV70 SM DUAL DIODE COM CATH	BS0013R-SOT23
D500	BAV70 SM DUAL DIODE COM CATH	BS0013R-SOT23
D501	BAV70 SM DUAL DIODE COM CATH	BS0013R-SOT23
D503	BAV70 SM DUAL DIODE COM CATH	BS0013R-SOT23
D504	BAV70 SM DUAL DIODE COM CATH	BS0013R-SOT23
D600	BAV70 SM DUAL DIODE COM CATH	BS0013R-SOT23
D601	BAV70 SM DUAL DIODE COM CATH	BS0013R-SOT23
D603	BAV70 SM DUAL DIODE COM CATH	BS0013R-SOT23
D604	BAV70 SM DUAL DIODE COM CATH	BS0013R-SOT23
D700	BAV70 SM DUAL DIODE COM CATH	BS0013R-SOT23
D701	BAV70 SM DUAL DIODE COM CATH	BS0013R-SOT23
D703	BAV70 SM DUAL DIODE COM CATH	BS0013R-SOT23
D704	BAV70 SM DUAL DIODE COM CATH	BS0013R-SOT23
D800	BAV70 SM DUAL DIODE COM CATH	BS0013R-SOT23
D801	BAV70 SM DUAL DIODE COM CATH	BS0013R-SOT23
D803	BAV70 SM DUAL DIODE COM CATH	BS0013R-SOT23
D804	BAV70 SM DUAL DIODE COM CATH	BS0013R-SOT23
D900	BAV70 SM DUAL DIODE COM CATH	BS0013R-SOT23
D901	BAV70 SM DUAL DIODE COM CATH	BS0013R-SOT23
D903	BAV70 SM DUAL DIODE COM CATH	BS0013R-SOT23
D904	BAV70 SM DUAL DIODE COM CATH	BS0013R-SOT23
IC1	NE5532 SM DUAL OP AMP	BS7009R-SO8
IC2	TL072CD SM DUAL OP AMP	BS7001R-SO8
IC3	NE5532 SM DUAL OP AMP	BS7009R-SO8
IC4	NE5532 SM DUAL OP AMP	BS7009R-SO8
IC5	74HC4053 TRIPLE SPDT SWTCSMTD	BS10035
IC6	NE5532 SM DUAL OP AMP	BS7009R-SO8
IC7	NE5532 SM DUAL OP AMP	BS7009R-SO8
IC8	NE5532 SM DUAL OP AMP	BS7009R-SO8
IC9	TL072CD SM DUAL OP AMP	BS7001R-SO8
IC10	LM2901 SM QUAD COMARATOR	BS7007R-SO14
IC11	LM2901 SM QUAD COMARATOR	BS7007R-SO14
IC12	LM2901 SM QUAD COMARATOR	BS7007R-SO14
IC13	LM2901 SM QUAD COMARATOR	BS7007R-SO14
IC14	LM2901 SM QUAD COMARATOR	BS7007R-SO14
IC100	TL074A SM QUAD OP-AMP	BS7002
IC1000	TL074A SM QUAD OP-AMP	BS7002
IC1100	TL074A SM QUAD OP-AMP	BS7002
IC1200	TL074A SM QUAD OP-AMP	BS7002
IC1300	TL072CD SM DUAL OP AMP	BS7002
IC1301	TL072CD SM DUAL OP AMP	BS7001R-SO8
IC1302	TL072CD SM DUAL OP AMP	BS7001R-SO8
IC1400	TL072CD SM DUAL OP AMP	BS7001R-SO8
IC1401	TL072CD SM DUAL OP AMP	BS7001R-SO8
IC1402	TL072CD SM DUAL OP AMP	BS7001R-SO8
IC200	TL074A SM QUAD OP-AMP	BS7002
IC300	TL074A SM QUAD OP-AMP	BS7002
IC400	TL074A SM QUAD OP-AMP	BS7002
IC500	TL074A SM QUAD OP-AMP	BS7002
IC600	TL074A SM QUAD OP-AMP	BS7002
IC700	TL074A SM QUAD OP-AMP	BS7002
IC800	TL074A SM QUAD OP-AMP	BS7002
IC900	TL074A SM QUAD OP-AMP	BS7002
R1	SM0805 RES 1K5 1% 0.1W T200	AS0152R-0805F
R2	SM0805 RES 1K5 1% 0.1W T200	AS0152R-0805F
R3	SM0805 RES 3K3 1% 0.1W T200	AS0332R-0805F
R4	SM0805 RES 3K3 1% 0.1W T200	AS0332R-0805F
R5	SM0805 RES 8K2 1% 0.1W T200	AS0822R-0805F
R6	SM0805 RES 8K2 1% 0.1W T200	AS0822R-0805F
R7	SM0805 RES 75R 1% 0.1W T200	AS0750R-0805F
R8	SM0805 RES 75R 1% 0.1W T200	AS0750R-0805F
R9	SM0805 RES 75R 1% 0.1W T200	AS0750R-0805F
R10	SM0805 RES 75R 1% 0.1W T200	AS0750R-0805F
R11	SM0805 RES 1K2 1% 0.1W T200	AS0122R-0805F
R12	SM0805 RES 20K 1% 0.1W T200	AS0203R-0805F
R13	SM0805 RES 20K 1% 0.1W T200	AS0203R-0805F
R14	SM0805 RES 10K 1% 0.1W T200	AS0103R-0805F
R15	SM0805 RES 10K 1% 0.1W T200	AS0103R-0805F
R16	SM0805 RES 20K 1% 0.1W T200	AS0203R-0805F
R17	SM0805 RES 20K 1% 0.1W T200	AS0203R-0805F
R18	SM0805 RES 75R 1% 0.1W T200	AS0750R-0805F
R19	SM0805 RES 75R 1% 0.1W T200	AS0750R-0805F
R20	SM0805 RES 75R 1% 0.1W T200	AS0750R-0805F

R21	SM0805 RES 75R 1% 0.1W T200	AS0750R-0805F
R22	SM0805 RES 20K 1% 0.1W T200	AS0203R-0805F
R23	SM0805 RES 20K 1% 0.1W T200	AS0203R-0805F
R24	SM0805 RES 20K 1% 0.1W T200	AS0203R-0805F
R25	SM0805 RES 20K 1% 0.1W T200	AS0203R-0805F
R26	SM0805 RES 10K 1% 0.1W T200	AS0103R-0805F
R27	SM0805 RES 10K 1% 0.1W T200	AS0103R-0805F
R28	SM0805 RES 47K 1% 0.1W T200	AS0473R-0805F
R29	SM0805 RES 8K2 1% 0.1W T200	AS0822R-0805F
R30	SM0805 RES 8K2 1% 0.1W T200	AS0822R-0805F
R31	SM0805 RES 75R 1% 0.1W T200	AS0750R-0805F
R32	SM0805 RES 75R 1% 0.1W T200	AS0750R-0805F
R33	SM0805 RES 75R 1% 0.1W T200	AS0750R-0805F
R34	SM0805 RES 75R 1% 0.1W T200	AS0750R-0805F
R35	SM0805 RES 75R 1% 0.1W T200	AS0750R-0805F
R36	SM0805 RES 75R 1% 0.1W T200	AS0750R-0805F
R37	SM0805 RES 75R 1% 0.1W T200	AS0750R-0805F
R38	SM0805 RES 75R 1% 0.1W T200	AS0750R-0805F
R39	SM0805 RES 20K 1% 0.1W T200	AS0203R-0805F
R40	SM0805 RES 20K 1% 0.1W T200	AS0203R-0805F
R41	SM0805 RES 20K 1% 0.1W T200	AS0203R-0805F
R42	SM0805 RES 8K2 1% 0.1W T200	AS0822R-0805F
R43	SM0805 RES 8K2 1% 0.1W T200	AS0822R-0805F
R44	SM0805 RES 20K 1% 0.1W T200	AS0203R-0805F
R45	SM0805 RES 47K 1% 0.1W T200	AS0473R-0805F
R46	SM0805 RES 1K2 1% 0.1W T200	AS0122R-0805F
R47	SM0805 RES 1K2 1% 0.1W T200	AS0122R-0805F
R48	SM0805 RES 1K2 1% 0.1W T200	AS0122R-0805F
R49	SM0805 RES 620R 1% 0.1W T200	AS0621R-0805F
R50	SM0805 RES 4K3 1% 0.1W T200	AS0432R-0805F
R51	SM0805 RES 3K9 1% 0.1W T200	AS0392R-0805F
R52	SM0805 RES 3K3 1% 0.1W T200	AS0332R-0805F
R53	SM0805 RES 6K8 1% 0.1W T200	AS0682R-0805F
R54	SM0805 RES 3K3 1% 0.1W T200	AS0332R-0805F
R55	SM0805 RES 6K8 1% 0.1W T200	AS0682R-0805F
R56	SM0805 RES 6K8 1% 0.1W T200	AS0682R-0805F
R57	SM0805 RES 750R 1% 0.1W T200	AS0751R-0805F
R58	SM0805 RES 750R 1% 0.1W T200	AS0751R-0805F
R59	SM0805 RES 9K1 1% 0.1W T200	AS0912R-0805F
R60	SM0805 RES 3K9 1% 0.1W T200	AS0392R-0805F
R61	SM0805 RES 2K2 1% 0.1W T200	AS0222R-0805F
R62	SM0805 RES 1K5 1% 0.1W T200	AS0152R-0805F
R63	SM0805 RES 620R 1% 0.1W T200	AS0621R-0805F
R64	SM0805 RES 470R 1% 0.1W T200	AS0471R-0805F
R65	SM0805 RES 330R 1% 0.1W T200	AS0331R-0805F
R66	SM0805 RES 240R 1% 0.1W T200	AS0241R-0805F
R67	SM0805 RES 2K2 1% 0.1W T200	AS0222R-0805F
R68	SM0805 RES 330R 1% 0.1W T200	AS0331R-0805F
R69	SM0805 RES 130R 1% 0.1W T200	AS0131R-0805F
R70	SM0805 RES 75R 1% 0.1W T200	AS0750R-0805F
R71	SM0805 RES 75R 1% 0.1W T200	AS0750R-0805F
R72	SM0805 RES 330R 1% 0.1W T200	AS0331R-0805F
R73	SM0805 RES 1M 1% 0.1W T200	AS0105R-0805F
R74	SM0805 RES 330R 1% 0.1W T200	AS0331R-0805F
R75	SM0805 RES 1M 1% 0.1W T200	AS0105R-0805F
R76	SM0805 RES 240R 1% 0.1W T200	AS0241R-0805F
R77	SM0805 RES 240R 1% 0.1W T200	AS0241R-0805F
R78	SM0805 RES 220K 1% 0.1W T200	AS0224R-0805F
R79	SM0805 RES 220K 1% 0.1W T200	AS0224R-0805F
R80	SM0805 RES 3K3 1% 0.1W T200	AS0332R-0805F
R81	SM0805 RES 8K2 1% 0.1W T200	AS0822R-0805F
R82	SM0805 RES 8K2 1% 0.1W T200	AS0822R-0805F
R83	SM0805 RES 220K 1% 0.1W T200	AS0224R-0805F
R84	SM0805 RES 220K 1% 0.1W T200	AS0224R-0805F
R85	SM0805 RES 1K5 1% 0.1W T200	AS0152R-0805F
R100	MMELF RES 20K 1% 0.2W 50BLF	AS2203R-0102F
R101	MMELF RES 1K2 1% 0.2W 50BLF	AS2122R-0102F
R102	MMELF RES 20K 1% 0.2W 50BLF	AS2203R-0102F
R103	MMELF RES 1K2 1% 0.2W 50BLF	AS2122R-0102F
R104	SM0805 RES 10R 1% 0.1W T200	AS0100R-0805F
R105	MMELF RES 1K2 1% 0.2W 50BLF	AS2122R-0102F
R106	MMELF RES 1K2 1% 0.2W 50BLF	AS2122R-0102F
R107	SM0805 RES 6K8 1% 0.1W T200	AS0682R-0805F

R108	SM0805 RES 6K8 1% 0.1W T200	AS0682R-0805F
R109	MMELF RES 1K2 1% 0.2W 50BLF	AS2122R-0102F
R110	MMELF RES 1K2 1% 0.2W 50BLF	AS2122R-0102F
R111	SM0805 RES 4K3 1% 0.1W T200	AS0432R-0805F
R112	SM0805 RES 4K3 1% 0.1W T200	AS0432R-0805F
R115	SM0805 RES 20K 1% 0.1W T200	AS0203R-0805F
R116	SM0805 RES 20K 1% 0.1W T200	AS0203R-0805F
R117	SM0805 RES 8K2 1% 0.1W T200	AS0822R-0805F
R118	SM0805 RES 8K2 1% 0.1W T200	AS0822R-0805F
R119	SM0805 RES 3K3 1% 0.1W T200	AS0332R-0805F
R120	SM0805 RES 3K3 1% 0.1W T200	AS0332R-0805F
R121	SM0805 RES 20K 1% 0.1W T200	AS0203R-0805F
R122	SM0805 RES 47K 1% 0.1W T200	AS0473R-0805F
R123	SM0805 RES 20K 1% 0.1W T200	AS0203R-0805F
R124	SM0805 RES 10K 1% 0.1W T200	AS0103R-0805F
R125	SM0805 RES 4K3 1% 0.1W T200	AS0432R-0805F
R126	SM0805 RES 10K 1% 0.1W T200	AS0103R-0805F
R127	SM0805 RES 10K 1% 0.1W T200	AS0103R-0805F
R128	SM0805 RES 10K 1% 0.1W T200	AS0103R-0805F
R129	SM0805 RES 10K 1% 0.1W T200	AS0103R-0805F
R130	SM0805 RES 10K 1% 0.1W T200	AS0103R-0805F
R131	SM0805 RES 10K 1% 0.1W T200	AS0103R-0805F
R132	SM0805 RES 4K3 1% 0.1W T200	AS0432R-0805F
R133	SM0805 RES 47K 1% 0.1W T200	AS0473R-0805F
R134	SM0805 RES 4K3 1% 0.1W T200	AS0432R-0805F
R135	SM0805 RES 620R 1% 0.1W T200	AS0621R-0805F
R136	SM0805 RES 75R 1% 0.1W T200	AS0750R-0805F
R138	SM0805 RES 47K 1% 0.1W T200	AS0473R-0805F
R200	MMELF RES 20K 1% 0.2W 50BLF	AS2203R-0102F
R201	MMELF RES 1K2 1% 0.2W 50BLF	AS2122R-0102F
R202	MMELF RES 20K 1% 0.2W 50BLF	AS2203R-0102F
R203	MMELF RES 1K2 1% 0.2W 50BLF	AS2122R-0102F
R204	SM0805 RES 10R 1% 0.1W T200	AS0100R-0805F
R205	MMELF RES 1K2 1% 0.2W 50BLF	AS2122R-0102F
R206	MMELF RES 1K2 1% 0.2W 50BLF	AS2122R-0102F
R207	SM0805 RES 6K8 1% 0.1W T200	AS0682R-0805F
R208	SM0805 RES 6K8 1% 0.1W T200	AS0682R-0805F
R209	MMELF RES 1K2 1% 0.2W 50BLF	AS2122R-0102F
R210	MMELF RES 1K2 1% 0.2W 50BLF	AS2122R-0102F
R211	SM0805 RES 4K3 1% 0.1W T200	AS0432R-0805F
R212	SM0805 RES 4K3 1% 0.1W T200	AS0432R-0805F
R215	SM0805 RES 20K 1% 0.1W T200	AS0203R-0805F
R216	SM0805 RES 20K 1% 0.1W T200	AS0203R-0805F
R217	SM0805 RES 8K2 1% 0.1W T200	AS0822R-0805F
R218	SM0805 RES 8K2 1% 0.1W T200	AS0822R-0805F
R219	SM0805 RES 3K3 1% 0.1W T200	AS0332R-0805F
R220	SM0805 RES 3K3 1% 0.1W T200	AS0332R-0805F
R221	SM0805 RES 20K 1% 0.1W T200	AS0203R-0805F
R222	SM0805 RES 47K 1% 0.1W T200	AS0473R-0805F
R223	SM0805 RES 20K 1% 0.1W T200	AS0203R-0805F
R224	SM0805 RES 10K 1% 0.1W T200	AS0103R-0805F
R225	SM0805 RES 4K3 1% 0.1W T200	AS0432R-0805F
R226	SM0805 RES 10K 1% 0.1W T200	AS0103R-0805F
R227	SM0805 RES 10K 1% 0.1W T200	AS0103R-0805F
R228	SM0805 RES 10K 1% 0.1W T200	AS0103R-0805F
R229	SM0805 RES 10K 1% 0.1W T200	AS0103R-0805F
R230	SM0805 RES 10K 1% 0.1W T200	AS0103R-0805F
R231	SM0805 RES 10K 1% 0.1W T200	AS0103R-0805F
R232	SM0805 RES 4K3 1% 0.1W T200	AS0432R-0805F
R233	SM0805 RES 47K 1% 0.1W T200	AS0473R-0805F
R234	SM0805 RES 4K3 1% 0.1W T200	AS0432R-0805F
R235	SM0805 RES 620R 1% 0.1W T200	AS0621R-0805F
R236	SM0805 RES 75R 1% 0.1W T200	AS0750R-0805F
R238	SM0805 RES 47K 1% 0.1W T200	AS0473R-0805F
R300	MMELF RES 20K 1% 0.2W 50BLF	AS2203R-0102F
R301	MMELF RES 1K2 1% 0.2W 50BLF	AS2122R-0102F
R302	MMELF RES 20K 1% 0.2W 50BLF	AS2203R-0102F
R303	MMELF RES 1K2 1% 0.2W 50BLF	AS2122R-0102F
R304	SM0805 RES 10R 1% 0.1W T200	AS0100R-0805F
R305	MMELF RES 1K2 1% 0.2W 50BLF	AS2122R-0102F
R306	MMELF RES 1K2 1% 0.2W 50BLF	AS2122R-0102F
R307	SM0805 RES 6K8 1% 0.1W T200	AS0682R-0805F
R308	SM0805 RES 6K8 1% 0.1W T200	AS0682R-0805F

R309	MMELF RES 1K2 1% 0.2W 50BLF	AS2122R-0102F
R310	MMELF RES 1K2 1% 0.2W 50BLF	AS2122R-0102F
R311	SM0805 RES 4K3 1% 0.1W T200	AS0432R-0805F
R312	SM0805 RES 4K3 1% 0.1W T200	AS0432R-0805F
R315	SM0805 RES 20K 1% 0.1W T200	AS0203R-0805F
R316	SM0805 RES 20K 1% 0.1W T200	AS0203R-0805F
R317	SM0805 RES 8K2 1% 0.1W T200	AS0822R-0805F
R318	SM0805 RES 8K2 1% 0.1W T200	AS0822R-0805F
R319	SM0805 RES 3K3 1% 0.1W T200	AS0332R-0805F
R320	SM0805 RES 3K3 1% 0.1W T200	AS0332R-0805F
R321	SM0805 RES 20K 1% 0.1W T200	AS0203R-0805F
R322	SM0805 RES 47K 1% 0.1W T200	AS0473R-0805F
R323	SM0805 RES 20K 1% 0.1W T200	AS0203R-0805F
R324	SM0805 RES 10K 1% 0.1W T200	AS0103R-0805F
R325	SM0805 RES 4K3 1% 0.1W T200	AS0432R-0805F
R326	SM0805 RES 10K 1% 0.1W T200	AS0103R-0805F
R327	SM0805 RES 10K 1% 0.1W T200	AS0103R-0805F
R328	SM0805 RES 10K 1% 0.1W T200	AS0103R-0805F
R329	SM0805 RES 10K 1% 0.1W T200	AS0103R-0805F
R330	SM0805 RES 10K 1% 0.1W T200	AS0103R-0805F
R331	SM0805 RES 10K 1% 0.1W T200	AS0103R-0805F
R332	SM0805 RES 4K3 1% 0.1W T200	AS0432R-0805F
R333	SM0805 RES 47K 1% 0.1W T200	AS0473R-0805F
R334	SM0805 RES 4K3 1% 0.1W T200	AS0432R-0805F
R335	SM0805 RES 620R 1% 0.1W T200	AS0621R-0805F
R336	SM0805 RES 75R 1% 0.1W T200	AS0750R-0805F
R338	SM0805 RES 47K 1% 0.1W T200	AS0473R-0805F
R400	MMELF RES 20K 1% 0.2W 50BLF	AS2203R-0102F
R401	MMELF RES 1K2 1% 0.2W 50BLF	AS2122R-0102F
R402	MMELF RES 20K 1% 0.2W 50BLF	AS2203R-0102F
R403	MMELF RES 1K2 1% 0.2W 50BLF	AS2122R-0102F
R404	SM0805 RES 10R 1% 0.1W T200	AS0100R-0805F
R405	MMELF RES 1K2 1% 0.2W 50BLF	AS2122R-0102F
R406	MMELF RES 1K2 1% 0.2W 50BLF	AS2122R-0102F
R407	SM0805 RES 6K8 1% 0.1W T200	AS0682R-0805F
R408	SM0805 RES 6K8 1% 0.1W T200	AS0682R-0805F
R409	MMELF RES 1K2 1% 0.2W 50BLF	AS2122R-0102F
R410	MMELF RES 1K2 1% 0.2W 50BLF	AS2122R-0102F
R411	SM0805 RES 4K3 1% 0.1W T200	AS0432R-0805F
R412	SM0805 RES 4K3 1% 0.1W T200	AS0432R-0805F
R415	SM0805 RES 20K 1% 0.1W T200	AS0203R-0805F
R416	SM0805 RES 20K 1% 0.1W T200	AS0203R-0805F
R417	SM0805 RES 8K2 1% 0.1W T200	AS0822R-0805F
R418	SM0805 RES 8K2 1% 0.1W T200	AS0822R-0805F
R419	SM0805 RES 3K3 1% 0.1W T200	AS0332R-0805F
R420	SM0805 RES 3K3 1% 0.1W T200	AS0332R-0805F
R421	SM0805 RES 20K 1% 0.1W T200	AS0203R-0805F
R422	SM0805 RES 47K 1% 0.1W T200	AS0473R-0805F
R423	SM0805 RES 20K 1% 0.1W T200	AS0203R-0805F
R424	SM0805 RES 10K 1% 0.1W T200	AS0103R-0805F
R425	SM0805 RES 4K3 1% 0.1W T200	AS0432R-0805F
R426	SM0805 RES 10K 1% 0.1W T200	AS0103R-0805F
R427	SM0805 RES 10K 1% 0.1W T200	AS0103R-0805F
R428	SM0805 RES 10K 1% 0.1W T200	AS0103R-0805F
R429	SM0805 RES 10K 1% 0.1W T200	AS0103R-0805F
R430	SM0805 RES 10K 1% 0.1W T200	AS0103R-0805F
R431	SM0805 RES 10K 1% 0.1W T200	AS0103R-0805F
R432	SM0805 RES 4K3 1% 0.1W T200	AS0432R-0805F
R433	SM0805 RES 47K 1% 0.1W T200	AS0473R-0805F
R434	SM0805 RES 4K3 1% 0.1W T200	AS0432R-0805F
R435	SM0805 RES 620R 1% 0.1W T200	AS0621R-0805F
R436	SM0805 RES 75R 1% 0.1W T200	AS0750R-0805F
R438	SM0805 RES 47K 1% 0.1W T200	AS0473R-0805F
R500	MMELF RES 20K 1% 0.2W 50BLF	AS2203R-0102F
R501	MMELF RES 1K2 1% 0.2W 50BLF	AS2122R-0102F
R502	MMELF RES 20K 1% 0.2W 50BLF	AS2203R-0102F
R503	MMELF RES 1K2 1% 0.2W 50BLF	AS2122R-0102F
R504	SM0805 RES 10R 1% 0.1W T200	AS0100R-0805F
R505	MMELF RES 1K2 1% 0.2W 50BLF	AS2122R-0102F
R506	MMELF RES 1K2 1% 0.2W 50BLF	AS2122R-0102F
R507	SM0805 RES 6K8 1% 0.1W T200	AS0682R-0805F
R508	SM0805 RES 6K8 1% 0.1W T200	AS0682R-0805F
R509	MMELF RES 1K2 1% 0.2W 50BLF	AS2122R-0102F

R510	MMELF RES 1K2 1% 0.2W 50BLF	AS2122R-0102F
R511	SM0805 RES 4K3 1% 0.1W T200	AS0432R-0805F
R512	SM0805 RES 4K3 1% 0.1W T200	AS0432R-0805F
R515	SM0805 RES 20K 1% 0.1W T200	AS0203R-0805F
R516	SM0805 RES 20K 1% 0.1W T200	AS0203R-0805F
R517	SM0805 RES 8K2 1% 0.1W T200	AS0822R-0805F
R518	SM0805 RES 8K2 1% 0.1W T200	AS0822R-0805F
R519	SM0805 RES 3K3 1% 0.1W T200	AS0332R-0805F
R520	SM0805 RES 3K3 1% 0.1W T200	AS0332R-0805F
R521	SM0805 RES 20K 1% 0.1W T200	AS0203R-0805F
R522	SM0805 RES 47K 1% 0.1W T200	AS0473R-0805F
R523	SM0805 RES 20K 1% 0.1W T200	AS0203R-0805F
R524	SM0805 RES 10K 1% 0.1W T200	AS0103R-0805F
R525	SM0805 RES 4K3 1% 0.1W T200	AS0432R-0805F
R526	SM0805 RES 10K 1% 0.1W T200	AS0103R-0805F
R527	SM0805 RES 10K 1% 0.1W T200	AS0103R-0805F
R528	SM0805 RES 10K 1% 0.1W T200	AS0103R-0805F
R529	SM0805 RES 10K 1% 0.1W T200	AS0103R-0805F
R530	SM0805 RES 10K 1% 0.1W T200	AS0103R-0805F
R531	SM0805 RES 10K 1% 0.1W T200	AS0103R-0805F
R532	SM0805 RES 4K3 1% 0.1W T200	AS0432R-0805F
R533	SM0805 RES 47K 1% 0.1W T200	AS0473R-0805F
R534	SM0805 RES 4K3 1% 0.1W T200	AS0432R-0805F
R535	SM0805 RES 620R 1% 0.1W T200	AS0621R-0805F
R536	SM0805 RES 75R 1% 0.1W T200	AS0750R-0805F
R538	SM0805 RES 47K 1% 0.1W T200	AS0473R-0805F
R600	MMELF RES 20K 1% 0.2W 50BLF	AS2203R-0102F
R601	MMELF RES 1K2 1% 0.2W 50BLF	AS2122R-0102F
R602	MMELF RES 20K 1% 0.2W 50BLF	AS2203R-0102F
R603	MMELF RES 1K2 1% 0.2W 50BLF	AS2122R-0102F
R604	SM0805 RES 10R 1% 0.1W T200	AS0100R-0805F
R605	MMELF RES 1K2 1% 0.2W 50BLF	AS2122R-0102F
R606	MMELF RES 1K2 1% 0.2W 50BLF	AS0682R-0805F
R607	SM0805 RES 6K8 1% 0.1W T200	AS0682R-0805F
R608	SM0805 RES 6K8 1% 0.1W T200	AS2122R-0102F
R609	MMELF RES 1K2 1% 0.2W 50BLF	AS2122R-0102F
R610	MMELF RES 1K2 1% 0.2W 50BLF	AS0432R-0805F
R611	SM0805 RES 4K3 1% 0.1W T200	AS0432R-0805F
R612	SM0805 RES 4K3 1% 0.1W T200	AS0203R-0805F
R615	SM0805 RES 20K 1% 0.1W T200	AS0203R-0805F
R616	SM0805 RES 20K 1% 0.1W T200	AS0203R-0805F
R617	SM0805 RES 8K2 1% 0.1W T200	AS0822R-0805F
R618	SM0805 RES 8K2 1% 0.1W T200	AS0822R-0805F
R619	SM0805 RES 3K3 1% 0.1W T200	AS0332R-0805F
R620	SM0805 RES 3K3 1% 0.1W T200	AS0332R-0805F
R621	SM0805 RES 20K 1% 0.1W T200	AS0203R-0805F
R622	SM0805 RES 47K 1% 0.1W T200	AS0473R-0805F
R623	SM0805 RES 20K 1% 0.1W T200	AS0203R-0805F
R624	SM0805 RES 10K 1% 0.1W T200	AS0103R-0805F
R625	SM0805 RES 4K3 1% 0.1W T200	AS0432R-0805F
R626	SM0805 RES 10K 1% 0.1W T200	AS0103R-0805F
R627	SM0805 RES 10K 1% 0.1W T200	AS0103R-0805F
R628	SM0805 RES 10K 1% 0.1W T200	AS0103R-0805F
R629	SM0805 RES 10K 1% 0.1W T200	AS0103R-0805F
R630	SM0805 RES 10K 1% 0.1W T200	AS0103R-0805F
R631	SM0805 RES 10K 1% 0.1W T200	AS0103R-0805F
R632	SM0805 RES 4K3 1% 0.1W T200	AS0432R-0805F
R633	SM0805 RES 47K 1% 0.1W T200	AS0473R-0805F
R634	SM0805 RES 4K3 1% 0.1W T200	AS0432R-0805F
R635	SM0805 RES 620R 1% 0.1W T200	AS0621R-0805F
R636	SM0805 RES 75R 1% 0.1W T200	AS0750R-0805F
R638	SM0805 RES 47K 1% 0.1W T200	AS0473R-0805F
R700	MMELF RES 20K 1% 0.2W 50BLF	AS2203R-0102F
R701	MMELF RES 1K2 1% 0.2W 50BLF	AS2122R-0102F
R702	MMELF RES 20K 1% 0.2W 50BLF	AS2203R-0102F
R703	MMELF RES 1K2 1% 0.2W 50BLF	AS2122R-0102F
R704	SM0805 RES 10R 1% 0.1W T200	AS0100R-0805F
R705	MMELF RES 1K2 1% 0.2W 50BLF	AS2122R-0102F
R706	MMELF RES 1K2 1% 0.2W 50BLF	AS2122R-0102F
R707	SM0805 RES 6K8 1% 0.1W T200	AS0682R-0805F
R708	SM0805 RES 6K8 1% 0.1W T200	AS0682R-0805F
R709	MMELF RES 1K2 1% 0.2W 50BLF	AS2122R-0102F
R710	MMELF RES 1K2 1% 0.2W 50BLF	AS2122R-0102F

R711	SM0805 RES 4K3 1% 0.1W T200	AS0432R-0805F
R712	SM0805 RES 4K3 1% 0.1W T200	AS0432R-0805F
R715	SM0805 RES 20K 1% 0.1W T200	AS0203R-0805F
R716	SM0805 RES 20K 1% 0.1W T200	AS0203R-0805F
R717	SM0805 RES 8K2 1% 0.1W T200	AS0822R-0805F
R718	SM0805 RES 8K2 1% 0.1W T200	AS0822R-0805F
R719	SM0805 RES 3K3 1% 0.1W T200	AS0332R-0805F
R720	SM0805 RES 3K3 1% 0.1W T200	AS0332R-0805F
R721	SM0805 RES 20K 1% 0.1W T200	AS0203R-0805F
R722	SM0805 RES 47K 1% 0.1W T200	AS0473R-0805F
R723	SM0805 RES 20K 1% 0.1W T200	AS0203R-0805F
R724	SM0805 RES 10K 1% 0.1W T200	AS0103R-0805F
R725	SM0805 RES 4K3 1% 0.1W T200	AS0432R-0805F
R726	SM0805 RES 10K 1% 0.1W T200	AS0103R-0805F
R727	SM0805 RES 10K 1% 0.1W T200	AS0103R-0805F
R728	SM0805 RES 10K 1% 0.1W T200	AS0103R-0805F
R729	SM0805 RES 10K 1% 0.1W T200	AS0103R-0805F
R730	SM0805 RES 10K 1% 0.1W T200	AS0103R-0805F
R731	SM0805 RES 10K 1% 0.1W T200	AS0103R-0805F
R732	SM0805 RES 4K3 1% 0.1W T200	AS0432R-0805F
R733	SM0805 RES 47K 1% 0.1W T200	AS0473R-0805F
R734	SM0805 RES 4K3 1% 0.1W T200	AS0432R-0805F
R735	SM0805 RES 620R 1% 0.1W T200	AS0621R-0805F
R736	SM0805 RES 75R 1% 0.1W T200	AS0750R-0805F
R738	SM0805 RES 47K 1% 0.1W T200	AS0473R-0805F
R800	MMELF RES 20K 1% 0.2W 50BLF	AS2203R-0102F
R801	MMELF RES 1K2 1% 0.2W 50BLF	AS2122R-0102F
R802	MMELF RES 20K 1% 0.2W 50BLF	AS2203R-0102F
R803	MMELF RES 1K2 1% 0.2W 50BLF	AS2122R-0102F
R804	SM0805 RES 10R 1% 0.1W T200	AS0100R-0805F
R805	MMELF RES 1K2 1% 0.2W 50BLF	AS2122R-0102F
R806	MMELF RES 1K2 1% 0.2W 50BLF	AS2122R-0102F
R807	SM0805 RES 6K8 1% 0.1W T200	AS0682R-0805F
R808	SM0805 RES 6K8 1% 0.1W T200	AS0682R-0805F
R809	MMELF RES 1K2 1% 0.2W 50BLF	AS2122R-0102F
R810	MMELF RES 1K2 1% 0.2W 50BLF	AS2122R-0102F
R811	SM0805 RES 4K3 1% 0.1W T200	AS0432R-0805F
R812	SM0805 RES 4K3 1% 0.1W T200	AS0432R-0805F
R815	SM0805 RES 20K 1% 0.1W T200	AS0203R-0805F
R816	SM0805 RES 20K 1% 0.1W T200	AS0203R-0805F
R817	SM0805 RES 8K2 1% 0.1W T200	AS0822R-0805F
R818	SM0805 RES 8K2 1% 0.1W T200	AS0822R-0805F
R819	SM0805 RES 3K3 1% 0.1W T200	AS0332R-0805F
R820	SM0805 RES 3K3 1% 0.1W T200	AS0332R-0805F
R821	SM0805 RES 20K 1% 0.1W T200	AS0203R-0805F
R822	SM0805 RES 47K 1% 0.1W T200	AS0473R-0805F
R823	SM0805 RES 20K 1% 0.1W T200	AS0203R-0805F
R824	SM0805 RES 10K 1% 0.1W T200	AS0103R-0805F
R825	SM0805 RES 4K3 1% 0.1W T200	AS0432R-0805F
R826	SM0805 RES 10K 1% 0.1W T200	AS0103R-0805F
R827	SM0805 RES 10K 1% 0.1W T200	AS0103R-0805F
R828	SM0805 RES 10K 1% 0.1W T200	AS0103R-0805F
R829	SM0805 RES 10K 1% 0.1W T200	AS0103R-0805F
R830	SM0805 RES 10K 1% 0.1W T200	AS0103R-0805F
R831	SM0805 RES 10K 1% 0.1W T200	AS0103R-0805F
R832	SM0805 RES 4K3 1% 0.1W T200	AS0432R-0805F
R833	SM0805 RES 47K 1% 0.1W T200	AS0473R-0805F
R834	SM0805 RES 4K3 1% 0.1W T200	AS0432R-0805F
R835	SM0805 RES 620R 1% 0.1W T200	AS0621R-0805F
R836	SM0805 RES 75R 1% 0.1W T200	AS0750R-0805F
R838	SM0805 RES 47K 1% 0.1W T200	AS0473R-0805F
R900	MMELF RES 20K 1% 0.2W 50BLF	AS2203R-0102F
R901	MMELF RES 1K2 1% 0.2W 50BLF	AS2122R-0102F
R902	MMELF RES 20K 1% 0.2W 50BLF	AS2203R-0102F
R903	MMELF RES 1K2 1% 0.2W 50BLF	AS2122R-0102F
R904	SM0805 RES 10R 1% 0.1W T200	AS0100R-0805F
R905	MMELF RES 1K2 1% 0.2W 50BLF	AS2122R-0102F
R906	MMELF RES 1K2 1% 0.2W 50BLF	AS2122R-0102F
R907	SM0805 RES 6K8 1% 0.1W T200	AS0682R-0805F
R908	SM0805 RES 6K8 1% 0.1W T200	AS0682R-0805F
R909	MMELF RES 1K2 1% 0.2W 50BLF	AS2122R-0102F
R910	MMELF RES 1K2 1% 0.2W 50BLF	AS2122R-0102F
R911	SM0805 RES 4K3 1% 0.1W T200	AS0432R-0805F

R912	SM0805 RES 4K3 1% 0.1W T200	AS0432R-0805F
R915	SM0805 RES 20K 1% 0.1W T200	AS0203R-0805F
R916	SM0805 RES 20K 1% 0.1W T200	AS0203R-0805F
R917	SM0805 RES 8K2 1% 0.1W T200	AS0822R-0805F
R918	SM0805 RES 8K2 1% 0.1W T200	AS0822R-0805F
R919	SM0805 RES 3K3 1% 0.1W T200	AS0332R-0805F
R920	SM0805 RES 3K3 1% 0.1W T200	AS0332R-0805F
R921	SM0805 RES 20K 1% 0.1W T200	AS0203R-0805F
R922	SM0805 RES 47K 1% 0.1W T200	AS0473R-0805F
R923	SM0805 RES 20K 1% 0.1W T200	AS0203R-0805F
R924	SM0805 RES 10K 1% 0.1W T200	AS0103R-0805F
R925	SM0805 RES 4K3 1% 0.1W T200	AS0432R-0805F
R926	SM0805 RES 10K 1% 0.1W T200	AS0103R-0805F
R927	SM0805 RES 10K 1% 0.1W T200	AS0103R-0805F
R928	SM0805 RES 10K 1% 0.1W T200	AS0103R-0805F
R929	SM0805 RES 10K 1% 0.1W T200	AS0103R-0805F
R930	SM0805 RES 10K 1% 0.1W T200	AS0103R-0805F
R931	SM0805 RES 10K 1% 0.1W T200	AS0103R-0805F
R932	SM0805 RES 4K3 1% 0.1W T200	AS0432R-0805F
R933	SM0805 RES 47K 1% 0.1W T200	AS0473R-0805F
R934	SM0805 RES 4K3 1% 0.1W T200	AS0432R-0805F
R935	SM0805 RES 620R 1% 0.1W T200	AS0621R-0805F
R936	SM0805 RES 75R 1% 0.1W T200	AS0750R-0805F
R938	SM0805 RES 47K 1% 0.1W T200	AS0473R-0805F
R1000	MMELF RES 20K 1% 0.2W 50BLF	AS2203R-0102F
R1001	MMELF RES 1K2 1% 0.2W 50BLF	AS2122R-0102F
R1002	MMELF RES 20K 1% 0.2W 50BLF	AS2203R-0102F
R1003	MMELF RES 1K2 1% 0.2W 50BLF	AS2122R-0102F
R1004	SM0805 RES 10R 1% 0.1W T200	AS0100R-0805F
R1005	MMELF RES 1K2 1% 0.2W 50BLF	AS2122R-0102F
R1006	MMELF RES 1K2 1% 0.2W 50BLF	AS2122R-0102F
R1007	SM0805 RES 6K8 1% 0.1W T200	AS0682R-0805F
R1008	SM0805 RES 6K8 1% 0.1W T200	AS0682R-0805F
R1009	MMELF RES 1K2 1% 0.2W 50BLF	AS2122R-0102F
R1010	MMELF RES 1K2 1% 0.2W 50BLF	AS2122R-0102F
R1011	SM0805 RES 4K3 1% 0.1W T200	AS0432R-0805F
R1012	SM0805 RES 4K3 1% 0.1W T200	AS0432R-0805F
R1015	SM0805 RES 20K 1% 0.1W T200	AS0203R-0805F
R1016	SM0805 RES 20K 1% 0.1W T200	AS0203R-0805F
R1017	SM0805 RES 8K2 1% 0.1W T200	AS0822R-0805F
R1018	SM0805 RES 8K2 1% 0.1W T200	AS0822R-0805F
R1019	SM0805 RES 3K3 1% 0.1W T200	AS0332R-0805F
R1020	SM0805 RES 3K3 1% 0.1W T200	AS0332R-0805F
R1021	SM0805 RES 20K 1% 0.1W T200	AS0203R-0805F
R1022	SM0805 RES 47K 1% 0.1W T200	AS0473R-0805F
R1023	SM0805 RES 20K 1% 0.1W T200	AS0203R-0805F
R1024	SM0805 RES 10K 1% 0.1W T200	AS0103R-0805F
R1025	SM0805 RES 4K3 1% 0.1W T200	AS0432R-0805F
R1026	SM0805 RES 10K 1% 0.1W T200	AS0103R-0805F
R1027	SM0805 RES 10K 1% 0.1W T200	AS0103R-0805F
R1028	SM0805 RES 10K 1% 0.1W T200	AS0103R-0805F
R1029	SM0805 RES 10K 1% 0.1W T200	AS0103R-0805F
R1030	SM0805 RES 10K 1% 0.1W T200	AS0103R-0805F
R1031	SM0805 RES 10K 1% 0.1W T200	AS0103R-0805F
R1032	SM0805 RES 4K3 1% 0.1W T200	AS0432R-0805F
R1033	SM0805 RES 47K 1% 0.1W T200	AS0473R-0805F
R1034	SM0805 RES 4K3 1% 0.1W T200	AS0432R-0805F
R1035	SM0805 RES 620R 1% 0.1W T200	AS0621R-0805F
R1036	SM0805 RES 75R 1% 0.1W T200	AS0750R-0805F
R1038	SM0805 RES 47K 1% 0.1W T200	AS0473R-0805F
R1100	MMELF RES 20K 1% 0.2W 50BLF	AS2203R-0102F
R1101	MMELF RES 1K2 1% 0.2W 50BLF	AS2122R-0102F
R1102	MMELF RES 20K 1% 0.2W 50BLF	AS2203R-0102F
R1103	MMELF RES 1K2 1% 0.2W 50BLF	AS2122R-0102F
R1104	SM0805 RES 10R 1% 0.1W T200	AS0100R-0805F
R1105	MMELF RES 1K2 1% 0.2W 50BLF	AS2122R-0102F
R1106	MMELF RES 1K2 1% 0.2W 50BLF	AS2122R-0102F
R1107	SM0805 RES 6K8 1% 0.1W T200	AS0682R-0805F
R1108	SM0805 RES 6K8 1% 0.1W T200	AS0682R-0805F
R1109	MMELF RES 1K2 1% 0.2W 50BLF	AS2122R-0102F
R1110	MMELF RES 1K2 1% 0.2W 50BLF	AS2122R-0102F
R1111	SM0805 RES 4K3 1% 0.1W T200	AS0432R-0805F
R1112	SM0805 RES 4K3 1% 0.1W T200	AS0432R-0805F

R1115	SM0805 RES 20K 1% 0.1W T200	AS0203R-0805F
R1116	SM0805 RES 20K 1% 0.1W T200	AS0203R-0805F
R1117	SM0805 RES 8K2 1% 0.1W T200	AS0822R-0805F
R1118	SM0805 RES 8K2 1% 0.1W T200	AS0822R-0805F
R1119	SM0805 RES 3K3 1% 0.1W T200	AS0332R-0805F
R1120	SM0805 RES 3K3 1% 0.1W T200	AS0332R-0805F
R1121	SM0805 RES 20K 1% 0.1W T200	AS0203R-0805F
R1122	SM0805 RES 47K 1% 0.1W T200	AS0473R-0805F
R1123	SM0805 RES 20K 1% 0.1W T200	AS0203R-0805F
R1124	SM0805 RES 10K 1% 0.1W T200	AS0103R-0805F
R1125	SM0805 RES 4K3 1% 0.1W T200	AS0432R-0805F
R1126	SM0805 RES 10K 1% 0.1W T200	AS0103R-0805F
R1127	SM0805 RES 10K 1% 0.1W T200	AS0103R-0805F
R1128	SM0805 RES 10K 1% 0.1W T200	AS0103R-0805F
R1129	SM0805 RES 10K 1% 0.1W T200	AS0103R-0805F
R1130	SM0805 RES 10K 1% 0.1W T200	AS0103R-0805F
R1131	SM0805 RES 10K 1% 0.1W T200	AS0103R-0805F
R1132	SM0805 RES 4K3 1% 0.1W T200	AS0432R-0805F
R1133	SM0805 RES 47K 1% 0.1W T200	AS0473R-0805F
R1134	SM0805 RES 4K3 1% 0.1W T200	AS0432R-0805F
R1135	SM0805 RES 620R 1% 0.1W T200	AS0621R-0805F
R1136	SM0805 RES 75R 1% 0.1W T200	AS0750R-0805F
R1138	SM0805 RES 47K 1% 0.1W T200	AS0473R-0805F
R1200	MMELF RES 20K 1% 0.2W 50BLF	AS2203R-0102F
R1201	MMELF RES 1K2 1% 0.2W 50BLF	AS2122R-0102F
R1202	MMELF RES 20K 1% 0.2W 50BLF	AS2203R-0102F
R1203	MMELF RES 1K2 1% 0.2W 50BLF	AS2122R-0102F
R1204	SM0805 RES 10R 1% 0.1W T200	AS0100R-0805F
R1205	MMELF RES 1K2 1% 0.2W 50BLF	AS2122R-0102F
R1206	MMELF RES 1K2 1% 0.2W 50BLF	AS2122R-0102F
R1207	SM0805 RES 6K8 1% 0.1W T200	AS0682R-0805F
R1208	SM0805 RES 6K8 1% 0.1W T200	AS0682R-0805F
R1209	MMELF RES 1K2 1% 0.2W 50BLF	AS2122R-0102F
R1210	MMELF RES 1K2 1% 0.2W 50BLF	AS2122R-0102F
R1211	SM0805 RES 4K3 1% 0.1W T200	AS0432R-0805F
R1212	SM0805 RES 4K3 1% 0.1W T200	AS0432R-0805F
R1215	SM0805 RES 20K 1% 0.1W T200	AS0203R-0805F
R1216	SM0805 RES 20K 1% 0.1W T200	AS0203R-0805F
R1217	SM0805 RES 8K2 1% 0.1W T200	AS0822R-0805F
R1218	SM0805 RES 8K2 1% 0.1W T200	AS0822R-0805F
R1219	SM0805 RES 3K3 1% 0.1W T200	AS0332R-0805F
R1220	SM0805 RES 3K3 1% 0.1W T200	AS0332R-0805F
R1221	SM0805 RES 20K 1% 0.1W T200	AS0203R-0805F
R1222	SM0805 RES 47K 1% 0.1W T200	AS0473R-0805F
R1223	SM0805 RES 20K 1% 0.1W T200	AS0203R-0805F
R1224	SM0805 RES 10K 1% 0.1W T200	AS0103R-0805F
R1225	SM0805 RES 4K3 1% 0.1W T200	AS0432R-0805F
R1226	SM0805 RES 10K 1% 0.1W T200	AS0103R-0805F
R1227	SM0805 RES 10K 1% 0.1W T200	AS0103R-0805F
R1228	SM0805 RES 10K 1% 0.1W T200	AS0103R-0805F
R1229	SM0805 RES 10K 1% 0.1W T200	AS0103R-0805F
R1230	SM0805 RES 10K 1% 0.1W T200	AS0103R-0805F
R1231	SM0805 RES 10K 1% 0.1W T200	AS0103R-0805F
R1232	SM0805 RES 4K3 1% 0.1W T200	AS0432R-0805F
R1233	SM0805 RES 47K 1% 0.1W T200	AS0473R-0805F
R1234	SM0805 RES 4K3 1% 0.1W T200	AS0432R-0805F
R1235	SM0805 RES 620R 1% 0.1W T200	AS0621R-0805F
R1236	SM0805 RES 75R 1% 0.1W T200	AS0750R-0805F
R1238	SM0805 RES 47K 1% 0.1W T200	AS0473R-0805F
R1300	SM0805 RES 4K3 1% 0.1W T200	AS0432R-0805F
R1301	SM0805 RES 4K3 1% 0.1W T200	AS0432R-0805F
R1302	SM0805 RES 4K3 1% 0.1W T200	AS0432R-0805F
R1303	SM0805 RES 20K 1% 0.1W T200	AS0203R-0805F
R1304	SM0805 RES 10K 1% 0.1W T200	AS0103R-0805F
R1305	SM0805 RES 4K3 1% 0.1W T200	AS0432R-0805F
R1306	SM0805 RES 20K 1% 0.1W T200	AS0203R-0805F
R1307	SM0805 RES 10K 1% 0.1W T200	AS0103R-0805F
R1308	SM0805 RES 4K3 1% 0.1W T200	AS0432R-0805F
R1309	SM0805 RES 20K 1% 0.1W T200	AS0203R-0805F
R1310	SM0805 RES 20K 1% 0.1W T200	AS0203R-0805F
R1311	SM0805 RES 20K 1% 0.1W T200	AS0203R-0805F
R1312	SM0805 RES 20K 1% 0.1W T200	AS0203R-0805F
R1313	SM0805 RES 10K 1% 0.1W T200	AS0103R-0805F

R1314	SM0805 RES 10K 1% 0.1W T200	AS0103R-0805F
R1315	SM0805 RES 47K 1% 0.1W T200	AS0473R-0805F
R1316	SM0805 RES 620R 1% 0.1W T200	AS0621R-0805F
R1317	SM0805 RES 47K 1% 0.1W T200	AS0473R-0805F
R1318	SM0805 RES 47K 1% 0.1W T200	AS0473R-0805F
R1322	SM0805 RES 47K 1% 0.1W T200	AS0473R-0805F
R1324	SM0805 RES 15K 1% 0.1W T200	AS0473R-0805F
R1325	SM0805 RES 15K 1% 0.1W T200	AS0153R-0805F
R1326	SM0805 RES 15K 1% 0.1W T200	AS0153R-0805F
R1327	SM0805 RES 3K3 1% 0.1W T200	AS0153R-0805F
R1328	SM0805 RES 3K3 1% 0.1W T200	AS0332R-0805F
R1329	SM0805 RES 20K 1% 0.1W T200	AS0332R-0805F
R1330	SM0805 RES 47K 1% 0.1W T200	AS0203R-0805F
R1331	SM0805 RES 3K3 1% 0.1W T200	AS0473R-0805F
R1332	SM0805 RES 3K3 1% 0.1W T200	AS0332R-0805F
R1333	SM0805 RES 15K 1% 0.1W T200	AS0332R-0805F
R1334	SM0805 RES 20K 1% 0.1W T200	AS0153R-0805F
R1335	SM0805 RES 47K 1% 0.1W T200	AS0203R-0805F
R1336	SM0805 RES 620R 1% 0.1W T200	AS0473R-0805F
R1337	SM0805 RES 620R 1% 0.1W T200	AS0621R-0805F
R1338	SM0805 RES 3K3 1% 0.1W T200	AS0621R-0805F
R1339	SM0805 RES 3K3 1% 0.1W T200	AS0332R-0805F
R1340	SM0805 RES 3K3 1% 0.1W T200	AS0332R-0805F
R1341	SM0805 RES 3K3 1% 0.1W T200	AS0332R-0805F
R1342	SM0805 RES 1K5 1% 0.1W T200	AS0332R-0805F
R1343	SM0805 RES 1K5 1% 0.1W T200	AS0152R-0805F
R1344	SM0805 RES 2K2 1% 0.1W T200	AS0152R-0805F
R1346	SM0805 RES 20K 1% 0.1W T200	AS0222R-0805F
R1347	SM0805 RES 20K 1% 0.1W T200	AS0203R-0805F
R1348	SM0805 RES 20K 1% 0.1W T200	AS0203R-0805F
R1349	SM0805 RES 20K 1% 0.1W T200	AS0203R-0805F
R1350	SM0805 RES 47K 1% 0.1W T200	AS0203R-0805F
R1400	SM0805 RES 4K3 1% 0.1W T200	AS0473R-0805F
R1401	SM0805 RES 4K3 1% 0.1W T200	AS0432R-0805F
R1402	SM0805 RES 4K3 1% 0.1W T200	AS0432R-0805F
R1403	SM0805 RES 20K 1% 0.1W T200	AS0432R-0805F
R1404	SM0805 RES 10K 1% 0.1W T200	AS0203R-0805F
R1405	SM0805 RES 4K3 1% 0.1W T200	AS0103R-0805F
R1406	SM0805 RES 20K 1% 0.1W T200	AS0432R-0805F
R1407	SM0805 RES 10K 1% 0.1W T200	AS0203R-0805F
R1408	SM0805 RES 4K3 1% 0.1W T200	AS0103R-0805F
R1409	SM0805 RES 20K 1% 0.1W T200	AS0432R-0805F
R1410	SM0805 RES 20K 1% 0.1W T200	AS0203R-0805F
R1411	SM0805 RES 20K 1% 0.1W T200	AS0203R-0805F
R1412	SM0805 RES 20K 1% 0.1W T200	AS0203R-0805F
R1413	SM0805 RES 10K 1% 0.1W T200	AS0203R-0805F
R1414	SM0805 RES 10K 1% 0.1W T200	AS0103R-0805F
R1415	SM0805 RES 47K 1% 0.1W T200	AS0103R-0805F
R1416	SM0805 RES 620R 1% 0.1W T200	AS0473R-0805F
R1417	SM0805 RES 47K 1% 0.1W T200	AS0621R-0805F
R1418	SM0805 RES 47K 1% 0.1W T200	AS0473R-0805F
R1422	SM0805 RES 47K 1% 0.1W T200	AS0473R-0805F
R1424	SM0805 RES 15K 1% 0.1W T200	AS0473R-0805F
R1425	SM0805 RES 15K 1% 0.1W T200	AS0153R-0805F
R1426	SM0805 RES 15K 1% 0.1W T200	AS0153R-0805F
R1427	SM0805 RES 3K3 1% 0.1W T200	AS0153R-0805F
R1428	SM0805 RES 3K3 1% 0.1W T200	AS0332R-0805F
R1429	SM0805 RES 20K 1% 0.1W T200	AS0332R-0805F
R1430	SM0805 RES 47K 1% 0.1W T200	AS0203R-0805F
R1431	SM0805 RES 3K3 1% 0.1W T200	AS0473R-0805F
R1432	SM0805 RES 3K3 1% 0.1W T200	AS0332R-0805F
R1433	SM0805 RES 15K 1% 0.1W T200	AS0332R-0805F
R1434	SM0805 RES 20K 1% 0.1W T200	AS0153R-0805F
R1435	SM0805 RES 47K 1% 0.1W T200	AS0203R-0805F
R1436	SM0805 RES 620R 1% 0.1W T200	AS0473R-0805F
R1437	SM0805 RES 620R 1% 0.1W T200	AS0621R-0805F
R1438	SM0805 RES 3K3 1% 0.1W T200	AS0621R-0805F
R1439	SM0805 RES 3K3 1% 0.1W T200	AS0332R-0805F
R1440	SM0805 RES 3K3 1% 0.1W T200	AS0332R-0805F
R1441	SM0805 RES 3K3 1% 0.1W T200	AS0332R-0805F
R1442	SM0805 RES 1K5 1% 0.1W T200	AS0332R-0805F
R1443	SM0805 RES 1K5 1% 0.1W T200	AS0152R-0805F
R1444	SM0805 RES 2K2 1% 0.1W T200	AS0152R-0805F
		AS0222R-0805F

C105	CAP CRMC 22PF 10% 50V NPO	CS1220R-0805K
C106	CAP CRMC 22PF 10% 50V NPO	CS1220R-0805K
C116	CAP CRMC 100NF 10% 50V X7R	CS7104R-0805K
C120	CAP CRMC 100NF 10% 50V X7R	CS7104R-0805K
C203	CAP CRMC 680PF 10% 100V	CS1681R-0805K
C204	CAP CRMC 680PF 10% 100V	CS1681R-0805K
C205	CAP CRMC 22PF 10% 50V NPO	CS1220R-0805K
C206	CAP CRMC 22PF 10% 50V NPO	CS1220R-0805K
C216	CAP CRMC 100NF 10% 50V X7R	CS7104R-0805K
C220	CAP CRMC 100NF 10% 50V X7R	CS7104R-0805K
C303	CAP CRMC 680PF 10% 100V	CS1681R-0805K
C304	CAP CRMC 680PF 10% 100V	CS1681R-0805K
C305	CAP CRMC 22PF 10% 50V NPO	CS1220R-0805K
C306	CAP CRMC 22PF 10% 50V NPO	CS1220R-0805K
C320	CAP CRMC 100NF 10% 50V X7R	CS7104R-0805K
C403	CAP CRMC 680PF 10% 100V	CS1681R-0805K
C404	CAP CRMC 680PF 10% 100V	CS1681R-0805K
C405	CAP CRMC 22PF 10% 50V NPO	CS1220R-0805K
C406	CAP CRMC 22PF 10% 50V NPO	CS1220R-0805K
C420	CAP CRMC 100NF 10% 50V X7R	CS7104R-0805K
C500	CAP CRMC 100NF 10% 50V X7R	CS7104R-0805K
C506	CAP CRMC 680PF 10% 100V	CS1681R-0805K
C507	CAP CRMC 680PF 10% 100V	CS1681R-0805K
C508	CAP CRMC 680PF 10% 100V	CS1681R-0805K
C509	CAP CRMC 680PF 10% 100V	CS1681R-0805K
C526	CAP CRMC 100NF 10% 50V X7R	CS7104R-0805K
C600	CAP CRMC 100NF 10% 50V X7R	CS7104R-0805K
C606	CAP CRMC 680PF 10% 100V	CS1681R-0805K
C607	CAP CRMC 680PF 10% 100V	CS1681R-0805K
C608	CAP CRMC 680PF 10% 100V	CS1681R-0805K
C609	CAP CRMC 680PF 10% 100V	CS1681R-0805K
C526	CAP CRMC 100NF 10% 50V X7R	CS7104R-0805K
C700	CAP CRMC 100NF 10% 50V X7R	CS7104R-0805K
C706	CAP CRMC 680PF 10% 100V	CS1681R-0805K
C707	CAP CRMC 680PF 10% 100V	CS1681R-0805K
C708	CAP CRMC 680PF 10% 100V	CS1681R-0805K
C709	CAP CRMC 680PF 10% 100V	CS1681R-0805K
C800	CAP CRMC 100NF 10% 50V X7R	CS7104R-0805K
C806	CAP CRMC 680PF 10% 100V	CS1681R-0805K
C807	CAP CRMC 680PF 10% 100V	CS1681R-0805K
C808	CAP CRMC 680PF 10% 100V	CS1681R-0805K
C809	CAP CRMC 680PF 10% 100V	CS1681R-0805K
C900	CAP CRMC 100NF 10% 50V X7R	CS7104R-0805K
C906	CAP CRMC 680PF 10% 100V	CS1681R-0805K
C907	CAP CRMC 680PF 10% 100V	CS1681R-0805K
C908	CAP CRMC 680PF 10% 100V	CS1681R-0805K
C909	CAP CRMC 680PF 10% 100V	CS1681R-0805K
C1000	CAP CRMC 100NF 10% 50V X7R	CS7104R-0805K
C1006	CAP CRMC 680PF 10% 100V	CS1681R-0805K
C1007	CAP CRMC 680PF 10% 100V	CS1681R-0805K
C1008	CAP CRMC 680PF 10% 100V	CS1681R-0805K
C1009	CAP CRMC 680PF 10% 100V	CS1681R-0805K
C1100	CAP CRMC 100NF 10% 50V X7R	CS7104R-0805K
C1106	CAP CRMC 680PF 10% 100V	CS1681R-0805K
C1107	CAP CRMC 680PF 10% 100V	CS1681R-0805K
C1108	CAP CRMC 680PF 10% 100V	CS1681R-0805K
C1109	CAP CRMC 680PF 10% 100V	CS1681R-0805K
C1200	CAP CRMC 100NF 10% 50V X7R	CS7104R-0805K
C1206	CAP CRMC 680PF 10% 100V	CS1681R-0805K
C1207	CAP CRMC 680PF 10% 100V	CS1681R-0805K
C1208	CAP CRMC 680PF 10% 100V	CS1681R-0805K
C1209	CAP CRMC 680PF 10% 100V	CS1681R-0805K
C1300	CAP CRMC 100NF 10% 50V X7R	CS7104R-0805K
C1306	CAP CRMC 680PF 10% 100V	CS1681R-0805K
C1307	CAP CRMC 680PF 10% 100V	CS1681R-0805K
C1308	CAP CRMC 680PF 10% 100V	CS1681R-0805K
C1309	CAP CRMC 680PF 10% 100V	CS1681R-0805K
C1400	CAP CRMC 100NF 10% 50V X7R	CS7104R-0805K
C1406	CAP CRMC 680PF 10% 100V	CS1681R-0805K
C1407	CAP CRMC 680PF 10% 100V	CS1681R-0805K
C1408	CAP CRMC 680PF 10% 100V	CS1681R-0805K
C1409	CAP CRMC 680PF 10% 100V	CS1681R-0805K
DI	BAV70 SM DUAL DIODE COM CATH	BS0013R-SOT23

D2	BAV70 SM DUAL DIODE COM CATH	BS0013R-SOT23
D100	BAV70 SM DUAL DIODE COM CATH	BS0013R-SOT23
D1000	BAV70 SM DUAL DIODE COM CATH	BS0013R-SOT23
D1001	BAV70 SM DUAL DIODE COM CATH	BS0013R-SOT23
D101	BAV70 SM DUAL DIODE COM CATH	BS0013R-SOT23
D103	BAV70 SM DUAL DIODE COM CATH	BS0013R-SOT23
D104	BAV70 SM DUAL DIODE COM CATH	BS0013R-SOT23
D1100	BAV70 SM DUAL DIODE COM CATH	BS0013R-SOT23
D1101	BAV70 SM DUAL DIODE COM CATH	BS0013R-SOT23
D1200	BAV70 SM DUAL DIODE COM CATH	BS0013R-SOT23
D1201	BAV70 SM DUAL DIODE COM CATH	BS0013R-SOT23
D1300	BAV70 SM DUAL DIODE COM CATH	BS0013R-SOT23
D1301	BAV70 SM DUAL DIODE COM CATH	BS0013R-SOT23
D1400	BAV70 SM DUAL DIODE COM CATH	BS0013R-SOT23
D1401	BAV70 SM DUAL DIODE COM CATH	BS0013R-SOT23
D200	BAV70 SM DUAL DIODE COM CATH	BS0013R-SOT23
D201	BAV70 SM DUAL DIODE COM CATH	BS0013R-SOT23
D203	BAV70 SM DUAL DIODE COM CATH	BS0013R-SOT23
D204	BAV70 SM DUAL DIODE COM CATH	BS0013R-SOT23
D300	BAV70 SM DUAL DIODE COM CATH	BS0013R-SOT23
D301	BAV70 SM DUAL DIODE COM CATH	BS0013R-SOT23
D303	BAV70 SM DUAL DIODE COM CATH	BS0013R-SOT23
D304	BAV70 SM DUAL DIODE COM CATH	BS0013R-SOT23
D400	BAV70 SM DUAL DIODE COM CATH	BS0013R-SOT23
D401	BAV70 SM DUAL DIODE COM CATH	BS0013R-SOT23
D403	BAV70 SM DUAL DIODE COM CATH	BS0013R-SOT23
D404	BAV70 SM DUAL DIODE COM CATH	BS0013R-SOT23
D500	BAV70 SM DUAL DIODE COM CATH	BS0013R-SOT23
D501	BAV70 SM DUAL DIODE COM CATH	BS0013R-SOT23
D600	BAV70 SM DUAL DIODE COM CATH	BS0013R-SOT23
D601	BAV70 SM DUAL DIODE COM CATH	BS0013R-SOT23
D700	BAV70 SM DUAL DIODE COM CATH	BS0013R-SOT23
D701	BAV70 SM DUAL DIODE COM CATH	BS0013R-SOT23
D800	BAV70 SM DUAL DIODE COM CATH	BS0013R-SOT23
D801	BAV70 SM DUAL DIODE COM CATH	BS0013R-SOT23
D900	BAV70 SM DUAL DIODE COM CATH	BS0013R-SOT23
D901	BAV70 SM DUAL DIODE COM CATH	BS0013R-SOT23
IC1	NE5532 SM DUAL OP AMP	BS7009R-SO8
IC2	TL072CD SM DUAL OP AMP	BS7001R-SO8
IC3	NE5532 SM DUAL OP AMP	BS7009R-SO8
IC4	NE5532 SM DUAL OP AMP	BS7009R-SO8
IC5	74HC4053 TRIPLE SPDT SWTCS/MTD	BS10035
IC6	NE5532 SM DUAL OP AMP	BS7009R-SO8
IC7	NE5532 SM DUAL OP AMP	BS7009R-SO8
IC8	NE5532 SM DUAL OP AMP	BS7009R-SO8
IC9	TL072CD SM DUAL OP AMP	BS7001R-SO8
IC10	LM2901 SM QUAD COMARATOR	BS7007R-SO14
IC11	LM2901 SM QUAD COMARATOR	BS7007R-SO14
IC12	LM2901 SM QUAD COMARATOR	BS7007R-SO14
IC13	LM2901 SM QUAD COMARATOR	BS7007R-SO14
IC14	LM2901 SM QUAD COMARATOR	BS7007R-SO14
IC100	TL074A SM QUAD OP-AMP	BS7002
IC1000	TL072CD SM DUAL OP AMP	BS7001R-SO8
IC1001	TL072CD SM DUAL OP AMP	BS7001R-SO8
IC1002	TL072CD SM DUAL OP AMP	BS7001R-SO8
IC1100	TL072CD SM DUAL OP AMP	BS7001R-SO8
IC1101	TL072CD SM DUAL OP AMP	BS7001R-SO8
IC1102	TL072CD SM DUAL OP AMP	BS7001R-SO8
IC1200	TL072CD SM DUAL OP AMP	BS7001R-SO8
IC1201	TL072CD SM DUAL OP AMP	BS7001R-SO8
IC1202	TL072CD SM DUAL OP AMP	BS7001R-SO8
IC1300	TL072CD SM DUAL OP AMP	BS7001R-SO8
IC1301	TL072CD SM DUAL OP AMP	BS7001R-SO8
IC1302	TL072CD SM DUAL OP AMP	BS7001R-SO8
IC1400	TL072CD SM DUAL OP AMP	BS7001R-SO8
IC1401	TL072CD SM DUAL OP AMP	BS7001R-SO8
IC1402	TL072CD SM DUAL OP AMP	BS7001R-SO8
IC200	TL074A SM QUAD OP-AMP	BS7002
IC300	TL074A SM QUAD OP-AMP	BS7002
IC400	TL074A SM QUAD OP-AMP	BS7002
IC500	TL072CD SM DUAL OP AMP	BS7001R-SO8
IC501	TL072CD SM DUAL OP AMP	BS7001R-SO8
IC502	TL072CD SM DUAL OP AMP	BS7001R-SO8

IC504	NE5532 SM DUAL OP AMP	BS7009R-SO8
IC600	TL072CD SM DUAL OP AMP	BS7001R-SO8
IC601	TL072CD SM DUAL OP AMP	BS7001R-SO8
IC602	TL072CD SM DUAL OP AMP	BS7001R-SO8
IC604	NE5532 SM DUAL OP AMP	BS7009R-SO8
IC700	TL072CD SM DUAL OP AMP	BS7001R-SO8
IC701	TL072CD SM DUAL OP AMP	BS7001R-SO8
IC702	TL072CD SM DUAL OP AMP	BS7001R-SO8
IC800	TL072CD SM DUAL OP AMP	BS7001R-SO8
IC801	TL072CD SM DUAL OP AMP	BS7001R-SO8
IC802	TL072CD SM DUAL OP AMP	BS7001R-SO8
IC900	TL072CD SM DUAL OP AMP	BS7001R-SO8
IC901	TL072CD SM DUAL OP AMP	BS7001R-SO8
IC902	TL072CD SM DUAL OP AMP	BS7001R-SO8
R1	SM0805 RES 1K5 1% 0.1W T200	AS0152R-0805F
R2	SM0805 RES 1K5 1% 0.1W T200	AS0152R-0805F
R3	SM0805 RES 3K3 1% 0.1W T200	AS0332R-0805F
R4	SM0805 RES 3K3 1% 0.1W T200	AS0332R-0805F
R5	SM0805 RES 8K2 1% 0.1W T200	AS0822R-0805F
R6	SM0805 RES 8K2 1% 0.1W T200	AS0822R-0805F
R7	SM0805 RES 75R 1% 0.1W T200	AS0750R-0805F
R8	SM0805 RES 75R 1% 0.1W T200	AS0750R-0805F
R9	SM0805 RES 75R 1% 0.1W T200	AS0750R-0805F
R10	SM0805 RES 75R 1% 0.1W T200	AS0750R-0805F
R11	SM0805 RES 1K2 1% 0.1W T200	AS0122R-0805F
R12	SM0805 RES 20K 1% 0.1W T200	AS0203R-0805F
R13	SM0805 RES 20K 1% 0.1W T200	AS0203R-0805F
R14	SM0805 RES 10K 1% 0.1W T200	AS0103R-0805F
R15	SM0805 RES 10K 1% 0.1W T200	AS0103R-0805F
R16	SM0805 RES 20K 1% 0.1W T200	AS0203R-0805F
R17	SM0805 RES 20K 1% 0.1W T200	AS0203R-0805F
R18	SM0805 RES 75R 1% 0.1W T200	AS0750R-0805F
R19	SM0805 RES 75R 1% 0.1W T200	AS0750R-0805F
R20	SM0805 RES 75R 1% 0.1W T200	AS0750R-0805F
R21	SM0805 RES 75R 1% 0.1W T200	AS0750R-0805F
R22	SM0805 RES 20K 1% 0.1W T200	AS0203R-0805F
R23	SM0805 RES 20K 1% 0.1W T200	AS0203R-0805F
R24	SM0805 RES 20K 1% 0.1W T200	AS0203R-0805F
R25	SM0805 RES 20K 1% 0.1W T200	AS0203R-0805F
R26	SM0805 RES 10K 1% 0.1W T200	AS0103R-0805F
R27	SM0805 RES 10K 1% 0.1W T200	AS0103R-0805F
R28	SM0805 RES 47K 1% 0.1W T200	AS0473R-0805F
R29	SM0805 RES 8K2 1% 0.1W T200	AS0822R-0805F
R30	SM0805 RES 8K2 1% 0.1W T200	AS0822R-0805F
R31	SM0805 RES 75R 1% 0.1W T200	AS0750R-0805F
R32	SM0805 RES 75R 1% 0.1W T200	AS0750R-0805F
R33	SM0805 RES 75R 1% 0.1W T200	AS0750R-0805F
R34	SM0805 RES 75R 1% 0.1W T200	AS0750R-0805F
R35	SM0805 RES 75R 1% 0.1W T200	AS0750R-0805F
R36	SM0805 RES 75R 1% 0.1W T200	AS0750R-0805F
R37	SM0805 RES 75R 1% 0.1W T200	AS0750R-0805F
R38	SM0805 RES 75R 1% 0.1W T200	AS0750R-0805F
R39	SM0805 RES 20K 1% 0.1W T200	AS0203R-0805F
R40	SM0805 RES 20K 1% 0.1W T200	AS0203R-0805F
R41	SM0805 RES 20K 1% 0.1W T200	AS0203R-0805F
R42	SM0805 RES 8K2 1% 0.1W T200	AS0822R-0805F
R43	SM0805 RES 8K2 1% 0.1W T200	AS0822R-0805F
R44	SM0805 RES 20K 1% 0.1W T200	AS0203R-0805F
R45	SM0805 RES 47K 1% 0.1W T200	AS0473R-0805F
R46	SM0805 RES 1K2 1% 0.1W T200	AS0122R-0805F
R47	SM0805 RES 1K2 1% 0.1W T200	AS0122R-0805F
R48	SM0805 RES 1K2 1% 0.1W T200	AS0122R-0805F
R49	SM0805 RES 620R 1% 0.1W T200	AS0621R-0805F
R50	SM0805 RES 4K3 1% 0.1W T200	AS0432R-0805F
R51	SM0805 RES 3K9 1% 0.1W T200	AS0392R-0805F
R52	SM0805 RES 3K3 1% 0.1W T200	AS0332R-0805F
R53	SM0805 RES 6K8 1% 0.1W T200	AS0682R-0805F
R54	SM0805 RES 3K3 1% 0.1W T200	AS0332R-0805F
R55	SM0805 RES 6K8 1% 0.1W T200	AS0682R-0805F
R56	SM0805 RES 6K8 1% 0.1W T200	AS0682R-0805F
R57	SM0805 RES 510R 1% 0.1W T200	AS0511R-0805F
R58	SM0805 RES 510R 1% 0.1W T200	AS0511R-0805F
R59	SM0805 RES 9K1 1% 0.1W T200	AS0912R-0805F

R60	SM0805 RES 3K9 1% 0.1W T200	AS0392R-0805F
R61	SM0805 RES 2K2 1% 0.1W T200	AS0222R-0805F
R62	SM0805 RES 1K5 1% 0.1W T200	AS0152R-0805F
R63	SM0805 RES 620R 1% 0.1W T200	AS0621R-0805F
R64	SM0805 RES 470R 1% 0.1W T200	AS0471R-0805F
R65	SM0805 RES 330R 1% 0.1W T200	AS0331R-0805F
R66	SM0805 RES 240R 1% 0.1W T200	AS0241R-0805F
R67	SM0805 RES 2K2 1% 0.1W T200	AS0222R-0805F
R68	SM0805 RES 330R 1% 0.1W T200	AS0331R-0805F
R69	SM0805 RES 130R 1% 0.1W T200	AS0131R-0805F
R70	SM0805 RES 75R 1% 0.1W T200	AS0750R-0805F
R71	SM0805 RES 75R 1% 0.1W T200	AS0750R-0805F
R72	SM0805 RES 330R 1% 0.1W T200	AS0331R-0805F
R73	SM0805 RES 1M 1% 0.1W T200	AS0105R-0805F
R74	SM0805 RES 330R 1% 0.1W T200	AS0331R-0805F
R75	SM0805 RES 1M 1% 0.1W T200	AS0105R-0805F
R76	SM0805 RES 240R 1% 0.1W T200	AS0241R-0805F
R77	SM0805 RES 240R 1% 0.1W T200	AS0241R-0805F
R78	SM0805 RES 220K 1% 0.1W T200	AS0224R-0805F
R79	SM0805 RES 220K 1% 0.1W T200	AS0224R-0805F
R80	SM0805 RES 3K3 1% 0.1W T200	AS0332R-0805F
R81	SM0805 RES 8K2 1% 0.1W T200	AS0822R-0805F
R82	SM0805 RES 8K2 1% 0.1W T200	AS0822R-0805F
R83	SM0805 RES 220K 1% 0.1W T200	AS0224R-0805F
R84	SM0805 RES 220K 1% 0.1W T200	AS0224R-0805F
R85	SM0805 RES 1K5 1% 0.1W T200	AS0152R-0805F
R100	MMELF RES 20K 1% 0.2W 50BLF	AS2203R-0102F
R101	MMELF RES 1K2 1% 0.2W 50BLF	AS2122R-0102F
R102	MMELF RES 20K 1% 0.2W 50BLF	AS2203R-0102F
R103	MMELF RES 1K2 1% 0.2W 50BLF	AS2122R-0102F
R104	SM0805 RES 10R 1% 0.1W T200	AS0100R-0805F
R105	MMELF RES 1K2 1% 0.2W 50BLF	AS2122R-0102F
R106	MMELF RES 1K2 1% 0.2W 50BLF	AS2122R-0102F
R107	SM0805 RES 6K8 1% 0.1W T200	AS0682R-0805F
R108	SM0805 RES 6K8 1% 0.1W T200	AS0682R-0805F
R109	MMELF RES 1K2 1% 0.2W 50BLF	AS2122R-0102F
R110	MMELF RES 1K2 1% 0.2W 50BLF	AS2122R-0102F
R111	SM0805 RES 4K3 1% 0.1W T200	AS0432R-0805F
R112	SM0805 RES 4K3 1% 0.1W T200	AS0432R-0805F
R115	SM0805 RES 20K 1% 0.1W T200	AS0203R-0805F
R116	SM0805 RES 20K 1% 0.1W T200	AS0203R-0805F
R117	SM0805 RES 8K2 1% 0.1W T200	AS0822R-0805F
R118	SM0805 RES 8K2 1% 0.1W T200	AS0822R-0805F
R119	SM0805 RES 3K3 1% 0.1W T200	AS0332R-0805F
R120	SM0805 RES 3K3 1% 0.1W T200	AS0332R-0805F
R121	SM0805 RES 20K 1% 0.1W T200	AS0203R-0805F
R122	SM0805 RES 47K 1% 0.1W T200	AS0473R-0805F
R123	SM0805 RES 20K 1% 0.1W T200	AS0203R-0805F
R124	SM0805 RES 10K 1% 0.1W T200	AS0103R-0805F
R125	SM0805 RES 4K3 1% 0.1W T200	AS0432R-0805F
R126	SM0805 RES 10K 1% 0.1W T200	AS0103R-0805F
R127	SM0805 RES 10K 1% 0.1W T200	AS0103R-0805F
R128	SM0805 RES 10K 1% 0.1W T200	AS0103R-0805F
R129	SM0805 RES 10K 1% 0.1W T200	AS0103R-0805F
R130	SM0805 RES 10K 1% 0.1W T200	AS0103R-0805F
R131	SM0805 RES 10K 1% 0.1W T200	AS0103R-0805F
R132	SM0805 RES 4K3 1% 0.1W T200	AS0432R-0805F
R133	SM0805 RES 47K 1% 0.1W T200	AS0473R-0805F
R134	SM0805 RES 4K3 1% 0.1W T200	AS0432R-0805F
R135	SM0805 RES 620R 1% 0.1W T200	AS0621R-0805F
R136	SM0805 RES 75R 1% 0.1W T200	AS0750R-0805F
R138	SM0805 RES 47K 1% 0.1W T200	AS0473R-0805F
R200	MMELF RES 20K 1% 0.2W 50BLF	AS2203R-0102F
R201	MMELF RES 1K2 1% 0.2W 50BLF	AS2122R-0102F
R202	MMELF RES 20K 1% 0.2W 50BLF	AS2203R-0102F
R203	MMELF RES 1K2 1% 0.2W 50BLF	AS2122R-0102F
R204	SM0805 RES 10R 1% 0.1W T200	AS0100R-0805F
R205	MMELF RES 1K2 1% 0.2W 50BLF	AS2122R-0102F
R206	MMELF RES 1K2 1% 0.2W 50BLF	AS2122R-0102F
R207	SM0805 RES 6K8 1% 0.1W T200	AS0682R-0805F
R208	SM0805 RES 6K8 1% 0.1W T200	AS0682R-0805F
R209	MMELF RES 1K2 1% 0.2W 50BLF	AS2122R-0102F
R210	MMELF RES 1K2 1% 0.2W 50BLF	AS2122R-0102F

R211	SM0805 RES 4K3 1% 0.1W T200	AS0432R-0805F
R212	SM0805 RES 4K3 1% 0.1W T200	AS0432R-0805F
R215	SM0805 RES 20K 1% 0.1W T200	AS0203R-0805F
R216	SM0805 RES 20K 1% 0.1W T200	AS0203R-0805F
R217	SM0805 RES 8K2 1% 0.1W T200	AS0822R-0805F
R218	SM0805 RES 8K2 1% 0.1W T200	AS0822R-0805F
R219	SM0805 RES 3K3 1% 0.1W T200	AS0332R-0805F
R220	SM0805 RES 3K3 1% 0.1W T200	AS0332R-0805F
R221	SM0805 RES 20K 1% 0.1W T200	AS0203R-0805F
R222	SM0805 RES 47K 1% 0.1W T200	AS0473R-0805F
R223	SM0805 RES 20K 1% 0.1W T200	AS0203R-0805F
R224	SM0805 RES 10K 1% 0.1W T200	AS0103R-0805F
R225	SM0805 RES 4K3 1% 0.1W T200	AS0432R-0805F
R226	SM0805 RES 10K 1% 0.1W T200	AS0103R-0805F
R227	SM0805 RES 10K 1% 0.1W T200	AS0103R-0805F
R228	SM0805 RES 10K 1% 0.1W T200	AS0103R-0805F
R229	SM0805 RES 10K 1% 0.1W T200	AS0103R-0805F
R230	SM0805 RES 10K 1% 0.1W T200	AS0103R-0805F
R231	SM0805 RES 10K 1% 0.1W T200	AS0103R-0805F
R232	SM0805 RES 4K3 1% 0.1W T200	AS0432R-0805F
R233	SM0805 RES 47K 1% 0.1W T200	AS0473R-0805F
R234	SM0805 RES 4K3 1% 0.1W T200	AS0432R-0805F
R235	SM0805 RES 620R 1% 0.1W T200	AS0621R-0805F
R236	SM0805 RES 75R 1% 0.1W T200	AS0750R-0805F
R238	SM0805 RES 47K 1% 0.1W T200	AS0473R-0805F
R300	MMELF RES 20K 1% 0.2W 50BLF	AS2203R-0102F
R301	MMELF RES 1K2 1% 0.2W 50BLF	AS2122R-0102F
R302	MMELF RES 20K 1% 0.2W 50BLF	AS2203R-0102F
R303	MMELF RES 1K2 1% 0.2W 50BLF	AS2122R-0102F
R304	SM0805 RES 10R 1% 0.1W T200	AS0100R-0805F
R305	MMELF RES 1K2 1% 0.2W 50BLF	AS2122R-0102F
R306	MMELF RES 1K2 1% 0.2W 50BLF	AS2122R-0102F
R307	SM0805 RES 6K8 1% 0.1W T200	AS0682R-0805F
R308	SM0805 RES 6K8 1% 0.1W T200	AS0682R-0805F
R309	MMELF RES 1K2 1% 0.2W 50BLF	AS2122R-0102F
R310	MMELF RES 1K2 1% 0.2W 50BLF	AS2122R-0102F
R311	SM0805 RES 4K3 1% 0.1W T200	AS0432R-0805F
R312	SM0805 RES 4K3 1% 0.1W T200	AS0432R-0805F
R315	SM0805 RES 20K 1% 0.1W T200	AS0203R-0805F
R316	SM0805 RES 20K 1% 0.1W T200	AS0203R-0805F
R317	SM0805 RES 8K2 1% 0.1W T200	AS0822R-0805F
R318	SM0805 RES 8K2 1% 0.1W T200	AS0822R-0805F
R319	SM0805 RES 3K3 1% 0.1W T200	AS0332R-0805F
R320	SM0805 RES 3K3 1% 0.1W T200	AS0332R-0805F
R321	SM0805 RES 20K 1% 0.1W T200	AS0203R-0805F
R322	SM0805 RES 47K 1% 0.1W T200	AS0473R-0805F
R323	SM0805 RES 20K 1% 0.1W T200	AS0203R-0805F
R324	SM0805 RES 10K 1% 0.1W T200	AS0103R-0805F
R325	SM0805 RES 4K3 1% 0.1W T200	AS0432R-0805F
R326	SM0805 RES 10K 1% 0.1W T200	AS0103R-0805F
R327	SM0805 RES 10K 1% 0.1W T200	AS0103R-0805F
R328	SM0805 RES 10K 1% 0.1W T200	AS0103R-0805F
R329	SM0805 RES 10K 1% 0.1W T200	AS0103R-0805F
R330	SM0805 RES 10K 1% 0.1W T200	AS0103R-0805F
R331	SM0805 RES 10K 1% 0.1W T200	AS0103R-0805F
R332	SM0805 RES 4K3 1% 0.1W T200	AS0432R-0805F
R333	SM0805 RES 47K 1% 0.1W T200	AS0473R-0805F
R334	SM0805 RES 4K3 1% 0.1W T200	AS0432R-0805F
R335	SM0805 RES 620R 1% 0.1W T200	AS0621R-0805F
R336	SM0805 RES 75R 1% 0.1W T200	AS0750R-0805F
R338	SM0805 RES 47K 1% 0.1W T200	AS0473R-0805F
R400	MMELF RES 20K 1% 0.2W 50BLF	AS2203R-0102F
R401	MMELF RES 1K2 1% 0.2W 50BLF	AS2122R-0102F
R402	MMELF RES 20K 1% 0.2W 50BLF	AS2203R-0102F
R403	MMELF RES 1K2 1% 0.2W 50BLF	AS2122R-0102F
R404	SM0805 RES 10R 1% 0.1W T200	AS0100R-0805F
R405	MMELF RES 1K2 1% 0.2W 50BLF	AS2122R-0102F
R406	MMELF RES 1K2 1% 0.2W 50BLF	AS2122R-0102F
R407	SM0805 RES 6K8 1% 0.1W T200	AS0682R-0805F
R408	SM0805 RES 6K8 1% 0.1W T200	AS0682R-0805F
R409	MMELF RES 1K2 1% 0.2W 50BLF	AS2122R-0102F
R410	MMELF RES 1K2 1% 0.2W 50BLF	AS2122R-0102F
R411	SM0805 RES 4K3 1% 0.1W T200	AS0432R-0805F

R412	SM0805 RES 4K3 1% 0.1W T200	AS0432R-0805F
R415	SM0805 RES 20K 1% 0.1W T200	AS0203R-0805F
R416	SM0805 RES 20K 1% 0.1W T200	AS0203R-0805F
R417	SM0805 RES 8K2 1% 0.1W T200	AS0822R-0805F
R418	SM0805 RES 8K2 1% 0.1W T200	AS0822R-0805F
R419	SM0805 RES 3K3 1% 0.1W T200	AS0332R-0805F
R420	SM0805 RES 3K3 1% 0.1W T200	AS0332R-0805F
R421	SM0805 RES 20K 1% 0.1W T200	AS0203R-0805F
R422	SM0805 RES 47K 1% 0.1W T200	AS0473R-0805F
R423	SM0805 RES 20K 1% 0.1W T200	AS0203R-0805F
R424	SM0805 RES 10K 1% 0.1W T200	AS0103R-0805F
R425	SM0805 RES 4K3 1% 0.1W T200	AS0432R-0805F
R426	SM0805 RES 10K 1% 0.1W T200	AS0103R-0805F
R427	SM0805 RES 10K 1% 0.1W T200	AS0103R-0805F
R428	SM0805 RES 10K 1% 0.1W T200	AS0103R-0805F
R429	SM0805 RES 10K 1% 0.1W T200	AS0103R-0805F
R430	SM0805 RES 10K 1% 0.1W T200	AS0103R-0805F
R431	SM0805 RES 10K 1% 0.1W T200	AS0103R-0805F
R432	SM0805 RES 4K3 1% 0.1W T200	AS0432R-0805F
R433	SM0805 RES 47K 1% 0.1W T200	AS0473R-0805F
R434	SM0805 RES 4K3 1% 0.1W T200	AS0432R-0805F
R435	SM0805 RES 620R 1% 0.1W T200	AS0621R-0805F
R436	SM0805 RES 75R 1% 0.1W T200	AS0750R-0805F
R438	SM0805 RES 47K 1% 0.1W T200	AS0473R-0805F
R500	SM0805 RES 4K3 1% 0.1W T200	AS0432R-0805F
R501	SM0805 RES 4K3 1% 0.1W T200	AS0432R-0805F
R502	SM0805 RES 4K3 1% 0.1W T200	AS0432R-0805F
R503	SM0805 RES 20K 1% 0.1W T200	AS0203R-0805F
R504	SM0805 RES 10K 1% 0.1W T200	AS0103R-0805F
R505	SM0805 RES 4K3 1% 0.1W T200	AS0432R-0805F
R506	SM0805 RES 20K 1% 0.1W T200	AS0203R-0805F
R507	SM0805 RES 10K 1% 0.1W T200	AS0103R-0805F
R508	SM0805 RES 4K3 1% 0.1W T200	AS0432R-0805F
R509	SM0805 RES 20K 1% 0.1W T200	AS0203R-0805F
R510	SM0805 RES 20K 1% 0.1W T200	AS0203R-0805F
R511	SM0805 RES 20K 1% 0.1W T200	AS0203R-0805F
R512	SM0805 RES 20K 1% 0.1W T200	AS0203R-0805F
R513	SM0805 RES 10K 1% 0.1W T200	AS0103R-0805F
R514	SM0805 RES 10K 1% 0.1W T200	AS0103R-0805F
R515	SM0805 RES 47K 1% 0.1W T200	AS0473R-0805F
R516	SM0805 RES 620R 1% 0.1W T200	AS0621R-0805F
R517	SM0805 RES 47K 1% 0.1W T200	AS0473R-0805F
R518	SM0805 RES 47K 1% 0.1W T200	AS0473R-0805F
R519	SM0805 RES 47K 1% 0.1W T200	AS0473R-0805F
R520	SM0805 RES 15K 1% 0.1W T200	AS0153R-0805F
R521	SM0805 RES 15K 1% 0.1W T200	AS0153R-0805F
R522	SM0805 RES 15K 1% 0.1W T200	AS0153R-0805F
R523	SM0805 RES 4K3 1% 0.1W T200	AS0432R-0805F
R524	SM0805 RES 4K3 1% 0.1W T200	AS0432R-0805F
R525	SM0805 RES 3K3 1% 0.1W T200	AS0332R-0805F
R526	SM0805 RES 47K 1% 0.1W T200	AS0473R-0805F
R527	SM0805 RES 4K3 1% 0.1W T200	AS0432R-0805F
R528	SM0805 RES 4K3 1% 0.1W T200	AS0432R-0805F
R529	SM0805 RES 15K 1% 0.1W T200	AS0153R-0805F
R530	SM0805 RES 3K3 1% 0.1W T200	AS0332R-0805F
R531	SM0805 RES 47K 1% 0.1W T200	AS0473R-0805F
R532	SM0805 RES 620R 1% 0.1W T200	AS0621R-0805F
R533	SM0805 RES 620R 1% 0.1W T200	AS0621R-0805F
R534	SM0805 RES 3K3 1% 0.1W T200	AS0332R-0805F
R535	SM0805 RES 3K3 1% 0.1W T200	AS0332R-0805F
R536	SM0805 RES 3K3 1% 0.1W T200	AS0332R-0805F
R537	SM0805 RES 3K3 1% 0.1W T200	AS0332R-0805F
R538	SM0805 RES 1K5 1% 0.1W T200	AS0152R-0805F
R539	SM0805 RES 1K5 1% 0.1W T200	AS0152R-0805F
R540	SM0805 RES 2K2 1% 0.1W T200	AS0222R-0805F
R542	SM0805 RES 20K 1% 0.1W T200	AS0203R-0805F
R543	SM0805 RES 20K 1% 0.1W T200	AS0203R-0805F
R544	SM0805 RES 20K 1% 0.1W T200	AS0203R-0805F
R545	SM0805 RES 20K 1% 0.1W T200	AS0203R-0805F
R546	SM0805 RES 47K 1% 0.1W T200	AS0473R-0805F
R547	SM0805 RES 3K3 1% 0.1W T200	AS0332R-0805F
R548	SM0805 RES 2K2 1% 0.1W T200	AS0222R-0805F
R549	SM0805 RES 2K2 1% 0.1W T200	AS0222R-0805F

R550	SM0805 RES 2K2 1% 0.1W T200	AS0222R-0805F
R551	SM0805 RES 2K2 1% 0.1W T200	AS0222R-0805F
R552	SM0805 RES 3K3 1% 0.1W T200	AS0332R-0805F
R553	SM0805 RES 220K 1% 0.1W T200	AS0224R-0805F
R554	SM0805 RES 33K 1% 0.1W T200	AS0333R-0805F
R555	SM0805 RES 620R 1% 0.1W T200	AS0621R-0805F
R556	SM0805 RES 620R 1% 0.1W T200	AS0621R-0805F
R557	SM0805 RES 47K 1% 0.1W T200	AS0473R-0805F
R558	SM0805 RES 47K 1% 0.1W T200	AS0473R-0805F
R559	SM0805 RES 620R 1% 0.1W T200	AS0621R-0805F
R560	SM0805 RES 620R 1% 0.1W T200	AS0621R-0805F
R561	SM0805 RES 33K 1% 0.1W T200	AS0333R-0805F
R562	SM0805 RES 220K 1% 0.1W T200	AS0224R-0805F
R600	SM0805 RES 4K3 1% 0.1W T200	AS0432R-0805F
R601	SM0805 RES 4K3 1% 0.1W T200	AS0432R-0805F
R602	SM0805 RES 4K3 1% 0.1W T200	AS0432R-0805F
R603	SM0805 RES 20K 1% 0.1W T200	AS0203R-0805F
R604	SM0805 RES 10K 1% 0.1W T200	AS0103R-0805F
R605	SM0805 RES 4K3 1% 0.1W T200	AS0432R-0805F
R606	SM0805 RES 20K 1% 0.1W T200	AS0203R-0805F
R607	SM0805 RES 10K 1% 0.1W T200	AS0103R-0805F
R608	SM0805 RES 4K3 1% 0.1W T200	AS0432R-0805F
R609	SM0805 RES 20K 1% 0.1W T200	AS0203R-0805F
R610	SM0805 RES 20K 1% 0.1W T200	AS0203R-0805F
R611	SM0805 RES 20K 1% 0.1W T200	AS0203R-0805F
R612	SM0805 RES 20K 1% 0.1W T200	AS0203R-0805F
R613	SM0805 RES 10K 1% 0.1W T200	AS0103R-0805F
R614	SM0805 RES 10K 1% 0.1W T200	AS0103R-0805F
R615	SM0805 RES 47K 1% 0.1W T200	AS0473R-0805F
R616	SM0805 RES 620R 1% 0.1W T200	AS0621R-0805F
R617	SM0805 RES 47K 1% 0.1W T200	AS0473R-0805F
R618	SM0805 RES 47K 1% 0.1W T200	AS0473R-0805F
R619	SM0805 RES 47K 1% 0.1W T200	AS0473R-0805F
R620	SM0805 RES 15K 1% 0.1W T200	AS0153R-0805F
R621	SM0805 RES 15K 1% 0.1W T200	AS0153R-0805F
R622	SM0805 RES 15K 1% 0.1W T200	AS0153R-0805F
R623	SM0805 RES 4K3 1% 0.1W T200	AS0432R-0805F
R624	SM0805 RES 4K3 1% 0.1W T200	AS0432R-0805F
R625	SM0805 RES 3K3 1% 0.1W T200	AS0332R-0805F
R626	SM0805 RES 47K 1% 0.1W T200	AS0473R-0805F
R627	SM0805 RES 4K3 1% 0.1W T200	AS0432R-0805F
R628	SM0805 RES 4K3 1% 0.1W T200	AS0432R-0805F
R629	SM0805 RES 15K 1% 0.1W T200	AS0153R-0805F
R630	SM0805 RES 3K3 1% 0.1W T200	AS0332R-0805F
R631	SM0805 RES 47K 1% 0.1W T200	AS0473R-0805F
R632	SM0805 RES 620R 1% 0.1W T200	AS0621R-0805F
R633	SM0805 RES 620R 1% 0.1W T200	AS0621R-0805F
R634	SM0805 RES 3K3 1% 0.1W T200	AS0332R-0805F
R635	SM0805 RES 3K3 1% 0.1W T200	AS0332R-0805F
R636	SM0805 RES 3K3 1% 0.1W T200	AS0332R-0805F
R637	SM0805 RES 3K3 1% 0.1W T200	AS0332R-0805F
R638	SM0805 RES 1K5 1% 0.1W T200	AS0152R-0805F
R639	SM0805 RES 1K5 1% 0.1W T200	AS0152R-0805F
R640	SM0805 RES 2K2 1% 0.1W T200	AS0222R-0805F
R642	SM0805 RES 20K 1% 0.1W T200	AS0203R-0805F
R643	SM0805 RES 20K 1% 0.1W T200	AS0203R-0805F
R644	SM0805 RES 20K 1% 0.1W T200	AS0203R-0805F
R645	SM0805 RES 20K 1% 0.1W T200	AS0203R-0805F
R646	SM0805 RES 47K 1% 0.1W T200	AS0473R-0805F
R647	SM0805 RES 3K3 1% 0.1W T200	AS0332R-0805F
R648	SM0805 RES 2K2 1% 0.1W T200	AS0222R-0805F
R649	SM0805 RES 2K2 1% 0.1W T200	AS0222R-0805F
R650	SM0805 RES 2K2 1% 0.1W T200	AS0222R-0805F
R651	SM0805 RES 2K2 1% 0.1W T200	AS0222R-0805F
R652	SM0805 RES 3K3 1% 0.1W T200	AS0332R-0805F
R653	SM0805 RES 220K 1% 0.1W T200	AS0224R-0805F
R654	SM0805 RES 33K 1% 0.1W T200	AS0333R-0805F
R655	SM0805 RES 620R 1% 0.1W T200	AS0621R-0805F
R656	SM0805 RES 620R 1% 0.1W T200	AS0621R-0805F
R657	SM0805 RES 47K 1% 0.1W T200	AS0473R-0805F
R658	SM0805 RES 47K 1% 0.1W T200	AS0473R-0805F
R659	SM0805 RES 620R 1% 0.1W T200	AS0621R-0805F
R660	SM0805 RES 620R 1% 0.1W T200	AS0621R-0805F

R661	SM0805 RES 33K 1% 0.1W T200	AS0333R-0805F
R662	SM0805 RES 220K 1% 0.1W T200	AS0224R-0805F
R700	SM0805 RES 4K3 1% 0.1W T200	AS0432R-0805F
R701	SM0805 RES 4K3 1% 0.1W T200	AS0432R-0805F
R702	SM0805 RES 4K3 1% 0.1W T200	AS0432R-0805F
R703	SM0805 RES 20K 1% 0.1W T200	AS0203R-0805F
R704	SM0805 RES 10K 1% 0.1W T200	AS0103R-0805F
R705	SM0805 RES 4K3 1% 0.1W T200	AS0432R-0805F
R706	SM0805 RES 20K 1% 0.1W T200	AS0203R-0805F
R707	SM0805 RES 10K 1% 0.1W T200	AS0103R-0805F
R708	SM0805 RES 4K3 1% 0.1W T200	AS0432R-0805F
R709	SM0805 RES 20K 1% 0.1W T200	AS0203R-0805F
R710	SM0805 RES 20K 1% 0.1W T200	AS0203R-0805F
R711	SM0805 RES 20K 1% 0.1W T200	AS0203R-0805F
R712	SM0805 RES 20K 1% 0.1W T200	AS0203R-0805F
R713	SM0805 RES 10K 1% 0.1W T200	AS0103R-0805F
R714	SM0805 RES 10K 1% 0.1W T200	AS0103R-0805F
R715	SM0805 RES 47K 1% 0.1W T200	AS0473R-0805F
R716	SM0805 RES 620R 1% 0.1W T200	AS0621R-0805F
R717	SM0805 RES 47K 1% 0.1W T200	AS0473R-0805F
R718	SM0805 RES 47K 1% 0.1W T200	AS0473R-0805F
R719	SM0805 RES 47K 1% 0.1W T200	AS0473R-0805F
R720	SM0805 RES 15K 1% 0.1W T200	AS0153R-0805F
R721	SM0805 RES 15K 1% 0.1W T200	AS0153R-0805F
R722	SM0805 RES 15K 1% 0.1W T200	AS0153R-0805F
R723	SM0805 RES 4K3 1% 0.1W T200	AS0432R-0805F
R724	SM0805 RES 4K3 1% 0.1W T200	AS0432R-0805F
R725	SM0805 RES 3K3 1% 0.1W T200	AS0332R-0805F
R726	SM0805 RES 47K 1% 0.1W T200	AS0473R-0805F
R727	SM0805 RES 4K3 1% 0.1W T200	AS0432R-0805F
R728	SM0805 RES 4K3 1% 0.1W T200	AS0432R-0805F
R729	SM0805 RES 15K 1% 0.1W T200	AS0153R-0805F
R730	SM0805 RES 3K3 1% 0.1W T200	AS0332R-0805F
R731	SM0805 RES 47K 1% 0.1W T200	AS0473R-0805F
R732	SM0805 RES 620R 1% 0.1W T200	AS0621R-0805F
R733	SM0805 RES 620R 1% 0.1W T200	AS0621R-0805F
R734	SM0805 RES 3K3 1% 0.1W T200	AS0332R-0805F
R735	SM0805 RES 3K3 1% 0.1W T200	AS0332R-0805F
R736	SM0805 RES 3K3 1% 0.1W T200	AS0332R-0805F
R737	SM0805 RES 3K3 1% 0.1W T200	AS0332R-0805F
R738	SM0805 RES 1K5 1% 0.1W T200	AS0152R-0805F
R739	SM0805 RES 1K5 1% 0.1W T200	AS0152R-0805F
R740	SM0805 RES 2K2 1% 0.1W T200	AS0222R-0805F
R742	SM0805 RES 20K 1% 0.1W T200	AS0203R-0805F
R743	SM0805 RES 20K 1% 0.1W T200	AS0203R-0805F
R744	SM0805 RES 20K 1% 0.1W T200	AS0203R-0805F
R745	SM0805 RES 20K 1% 0.1W T200	AS0203R-0805F
R746	SM0805 RES 47K 1% 0.1W T200	AS0473R-0805F
R747	SM0805 RES 3K3 1% 0.1W T200	AS0332R-0805F
R748	SM0805 RES 2K2 1% 0.1W T200	AS0222R-0805F
R749	SM0805 RES 2K2 1% 0.1W T200	AS0222R-0805F
R750	SM0805 RES 2K2 1% 0.1W T200	AS0222R-0805F
R751	SM0805 RES 2K2 1% 0.1W T200	AS0222R-0805F
R752	SM0805 RES 3K3 1% 0.1W T200	AS0332R-0805F
R753	SM0805 RES 3K3 1% 0.1W T200	AS0332R-0805F
R754	SM0805 RES 3K3 1% 0.1W T200	AS0332R-0805F
R800	SM0805 RES 4K3 1% 0.1W T200	AS0432R-0805F
R801	SM0805 RES 4K3 1% 0.1W T200	AS0432R-0805F
R802	SM0805 RES 4K3 1% 0.1W T200	AS0432R-0805F
R803	SM0805 RES 20K 1% 0.1W T200	AS0203R-0805F
R804	SM0805 RES 10K 1% 0.1W T200	AS0103R-0805F
R805	SM0805 RES 4K3 1% 0.1W T200	AS0432R-0805F
R806	SM0805 RES 20K 1% 0.1W T200	AS0203R-0805F
R807	SM0805 RES 10K 1% 0.1W T200	AS0103R-0805F
R808	SM0805 RES 4K3 1% 0.1W T200	AS0432R-0805F
R809	SM0805 RES 20K 1% 0.1W T200	AS0203R-0805F
R810	SM0805 RES 20K 1% 0.1W T200	AS0203R-0805F
R811	SM0805 RES 20K 1% 0.1W T200	AS0203R-0805F
R812	SM0805 RES 20K 1% 0.1W T200	AS0203R-0805F
R813	SM0805 RES 10K 1% 0.1W T200	AS0103R-0805F
R814	SM0805 RES 10K 1% 0.1W T200	AS0103R-0805F
R815	SM0805 RES 47K 1% 0.1W T200	AS0473R-0805F
R816	SM0805 RES 620R 1% 0.1W T200	AS0621R-0805F

R817	SM0805 RES 47K 1% 0.1W T200	AS0473R-0805F
R818	SM0805 RES 47K 1% 0.1W T200	AS0473R-0805F
R819	SM0805 RES 47K 1% 0.1W T200	AS0473R-0805F
R820	SM0805 RES 15K 1% 0.1W T200	AS0153R-0805F
R821	SM0805 RES 15K 1% 0.1W T200	AS0153R-0805F
R822	SM0805 RES 15K 1% 0.1W T200	AS0153R-0805F
R823	SM0805 RES 4K3 1% 0.1W T200	AS0153R-0805F
R824	SM0805 RES 4K3 1% 0.1W T200	AS0432R-0805F
R825	SM0805 RES 3K3 1% 0.1W T200	AS0432R-0805F
R826	SM0805 RES 47K 1% 0.1W T200	AS0332R-0805F
R827	SM0805 RES 4K3 1% 0.1W T200	AS0473R-0805F
R828	SM0805 RES 4K3 1% 0.1W T200	AS0432R-0805F
R829	SM0805 RES 15K 1% 0.1W T200	AS0432R-0805F
R830	SM0805 RES 3K3 1% 0.1W T200	AS0153R-0805F
R831	SM0805 RES 47K 1% 0.1W T200	AS0332R-0805F
R832	SM0805 RES 620R 1% 0.1W T200	AS0473R-0805F
R833	SM0805 RES 620R 1% 0.1W T200	AS0621R-0805F
R834	SM0805 RES 3K3 1% 0.1W T200	AS0621R-0805F
R835	SM0805 RES 3K3 1% 0.1W T200	AS0332R-0805F
R836	SM0805 RES 3K3 1% 0.1W T200	AS0332R-0805F
R837	SM0805 RES 3K3 1% 0.1W T200	AS0332R-0805F
R838	SM0805 RES 1K5 1% 0.1W T200	AS0332R-0805F
R839	SM0805 RES 1K5 1% 0.1W T200	AS0152R-0805F
R840	SM0805 RES 2K2 1% 0.1W T200	AS0152R-0805F
R842	SM0805 RES 20K 1% 0.1W T200	AS0222R-0805F
R843	SM0805 RES 20K 1% 0.1W T200	AS0203R-0805F
R844	SM0805 RES 20K 1% 0.1W T200	AS0203R-0805F
R845	SM0805 RES 20K 1% 0.1W T200	AS0203R-0805F
R846	SM0805 RES 47K 1% 0.1W T200	AS0203R-0805F
R847	SM0805 RES 3K3 1% 0.1W T200	AS0473R-0805F
R848	SM0805 RES 2K2 1% 0.1W T200	AS0332R-0805F
R849	SM0805 RES 2K2 1% 0.1W T200	AS0222R-0805F
R850	SM0805 RES 2K2 1% 0.1W T200	AS0222R-0805F
R851	SM0805 RES 2K2 1% 0.1W T200	AS0222R-0805F
R852	SM0805 RES 3K3 1% 0.1W T200	AS0222R-0805F
R853	SM0805 RES 3K3 1% 0.1W T200	AS0332R-0805F
R854	SM0805 RES 3K3 1% 0.1W T200	AS0332R-0805F
R900	SM0805 RES 4K3 1% 0.1W T200	AS0332R-0805F
R901	SM0805 RES 4K3 1% 0.1W T200	AS0432R-0805F
R902	SM0805 RES 4K3 1% 0.1W T200	AS0432R-0805F
R903	SM0805 RES 20K 1% 0.1W T200	AS0432R-0805F
R904	SM0805 RES 10K 1% 0.1W T200	AS0203R-0805F
R905	SM0805 RES 4K3 1% 0.1W T200	AS0103R-0805F
R906	SM0805 RES 20K 1% 0.1W T200	AS0432R-0805F
R907	SM0805 RES 10K 1% 0.1W T200	AS0203R-0805F
R908	SM0805 RES 4K3 1% 0.1W T200	AS0103R-0805F
R909	SM0805 RES 20K 1% 0.1W T200	AS0432R-0805F
R910	SM0805 RES 20K 1% 0.1W T200	AS0203R-0805F
R911	SM0805 RES 20K 1% 0.1W T200	AS0203R-0805F
R912	SM0805 RES 20K 1% 0.1W T200	AS0203R-0805F
R913	SM0805 RES 10K 1% 0.1W T200	AS0203R-0805F
R914	SM0805 RES 10K 1% 0.1W T200	AS0103R-0805F
R915	SM0805 RES 47K 1% 0.1W T200	AS0103R-0805F
R916	SM0805 RES 620R 1% 0.1W T200	AS0473R-0805F
R917	SM0805 RES 47K 1% 0.1W T200	AS0621R-0805F
R918	SM0805 RES 47K 1% 0.1W T200	AS0473R-0805F
R919	SM0805 RES 47K 1% 0.1W T200	AS0473R-0805F
R920	SM0805 RES 15K 1% 0.1W T200	AS0473R-0805F
R921	SM0805 RES 15K 1% 0.1W T200	AS0153R-0805F
R922	SM0805 RES 15K 1% 0.1W T200	AS0153R-0805F
R923	SM0805 RES 4K3 1% 0.1W T200	AS0153R-0805F
R924	SM0805 RES 4K3 1% 0.1W T200	AS0432R-0805F
R925	SM0805 RES 3K3 1% 0.1W T200	AS0432R-0805F
R926	SM0805 RES 47K 1% 0.1W T200	AS0332R-0805F
R927	SM0805 RES 4K3 1% 0.1W T200	AS0473R-0805F
R928	SM0805 RES 4K3 1% 0.1W T200	AS0432R-0805F
R929	SM0805 RES 15K 1% 0.1W T200	AS0432R-0805F
R930	SM0805 RES 3K3 1% 0.1W T200	AS0153R-0805F
R931	SM0805 RES 47K 1% 0.1W T200	AS0332R-0805F
R932	SM0805 RES 620R 1% 0.1W T200	AS0473R-0805F
R933	SM0805 RES 620R 1% 0.1W T200	AS0621R-0805F
R934	SM0805 RES 3K3 1% 0.1W T200	AS0621R-0805F
R935	SM0805 RES 3K3 1% 0.1W T200	AS0332R-0805F

R1101	SM0805 RES 4K3 1% 0.1W T200	AS0432R-0805F
R1102	SM0805 RES 4K3 1% 0.1W T200	AS0432R-0805F
R1103	SM0805 RES 20K 1% 0.1W T200	AS0203R-0805F
R1104	SM0805 RES 10K 1% 0.1W T200	AS0103R-0805F
R1105	SM0805 RES 4K3 1% 0.1W T200	AS0432R-0805F
R1106	SM0805 RES 20K 1% 0.1W T200	AS0203R-0805F
R1107	SM0805 RES 10K 1% 0.1W T200	AS0103R-0805F
R1108	SM0805 RES 4K3 1% 0.1W T200	AS0432R-0805F
R1109	SM0805 RES 20K 1% 0.1W T200	AS0203R-0805F
R1110	SM0805 RES 20K 1% 0.1W T200	AS0203R-0805F
R1111	SM0805 RES 20K 1% 0.1W T200	AS0203R-0805F
R1112	SM0805 RES 20K 1% 0.1W T200	AS0203R-0805F
R1113	SM0805 RES 10K 1% 0.1W T200	AS0103R-0805F
R1114	SM0805 RES 10K 1% 0.1W T200	AS0103R-0805F
R1115	SM0805 RES 47K 1% 0.1W T200	AS0473R-0805F
R1116	SM0805 RES 620R 1% 0.1W T200	AS0621R-0805F
R1117	SM0805 RES 47K 1% 0.1W T200	AS0473R-0805F
R1118	SM0805 RES 47K 1% 0.1W T200	AS0473R-0805F
R1119	SM0805 RES 47K 1% 0.1W T200	AS0473R-0805F
R1120	SM0805 RES 15K 1% 0.1W T200	AS0153R-0805F
R1121	SM0805 RES 15K 1% 0.1W T200	AS0153R-0805F
R1122	SM0805 RES 15K 1% 0.1W T200	AS0153R-0805F
R1123	SM0805 RES 4K3 1% 0.1W T200	AS0432R-0805F
R1124	SM0805 RES 4K3 1% 0.1W T200	AS0432R-0805F
R1125	SM0805 RES 3K3 1% 0.1W T200	AS0332R-0805F
R1126	SM0805 RES 47K 1% 0.1W T200	AS0473R-0805F
R1127	SM0805 RES 4K3 1% 0.1W T200	AS0432R-0805F
R1128	SM0805 RES 4K3 1% 0.1W T200	AS0432R-0805F
R1129	SM0805 RES 15K 1% 0.1W T200	AS0153R-0805F
R1130	SM0805 RES 3K3 1% 0.1W T200	AS0332R-0805F
R1131	SM0805 RES 47K 1% 0.1W T200	AS0473R-0805F
R1132	SM0805 RES 620R 1% 0.1W T200	AS0621R-0805F
R1133	SM0805 RES 620R 1% 0.1W T200	AS0621R-0805F
R1134	SM0805 RES 3K3 1% 0.1W T200	AS0332R-0805F
R1135	SM0805 RES 3K3 1% 0.1W T200	AS0332R-0805F
R1136	SM0805 RES 3K3 1% 0.1W T200	AS0332R-0805F
R1137	SM0805 RES 3K3 1% 0.1W T200	AS0332R-0805F
R1138	SM0805 RES 1K5 1% 0.1W T200	AS0152R-0805F
R1139	SM0805 RES 1K5 1% 0.1W T200	AS0152R-0805F
R1140	SM0805 RES 2K2 1% 0.1W T200	AS0222R-0805F
R1142	SM0805 RES 20K 1% 0.1W T200	AS0203R-0805F
R1143	SM0805 RES 20K 1% 0.1W T200	AS0203R-0805F
R1144	SM0805 RES 20K 1% 0.1W T200	AS0203R-0805F
R1145	SM0805 RES 20K 1% 0.1W T200	AS0203R-0805F
R1146	SM0805 RES 47K 1% 0.1W T200	AS0473R-0805F
R1147	SM0805 RES 3K3 1% 0.1W T200	AS0332R-0805F
R1148	SM0805 RES 2K2 1% 0.1W T200	AS0222R-0805F
R1149	SM0805 RES 2K2 1% 0.1W T200	AS0222R-0805F
R1150	SM0805 RES 2K2 1% 0.1W T200	AS0222R-0805F
R1151	SM0805 RES 2K2 1% 0.1W T200	AS0222R-0805F
R1152	SM0805 RES 3K3 1% 0.1W T200	AS0332R-0805F
R1200	SM0805 RES 4K3 1% 0.1W T200	AS0432R-0805F
R1201	SM0805 RES 4K3 1% 0.1W T200	AS0432R-0805F
R1202	SM0805 RES 4K3 1% 0.1W T200	AS0432R-0805F
R1203	SM0805 RES 20K 1% 0.1W T200	AS0203R-0805F
R1204	SM0805 RES 10K 1% 0.1W T200	AS0103R-0805F
R1205	SM0805 RES 4K3 1% 0.1W T200	AS0432R-0805F
R1206	SM0805 RES 20K 1% 0.1W T200	AS0203R-0805F
R1207	SM0805 RES 10K 1% 0.1W T200	AS0103R-0805F
R1208	SM0805 RES 4K3 1% 0.1W T200	AS0432R-0805F
R1209	SM0805 RES 20K 1% 0.1W T200	AS0203R-0805F
R1210	SM0805 RES 20K 1% 0.1W T200	AS0203R-0805F
R1211	SM0805 RES 20K 1% 0.1W T200	AS0203R-0805F
R1212	SM0805 RES 20K 1% 0.1W T200	AS0203R-0805F
R1213	SM0805 RES 10K 1% 0.1W T200	AS0103R-0805F
R1214	SM0805 RES 10K 1% 0.1W T200	AS0103R-0805F
R1215	SM0805 RES 47K 1% 0.1W T200	AS0473R-0805F
R1216	SM0805 RES 620R 1% 0.1W T200	AS0621R-0805F
R1217	SM0805 RES 47K 1% 0.1W T200	AS0473R-0805F
R1218	SM0805 RES 47K 1% 0.1W T200	AS0473R-0805F
R1219	SM0805 RES 47K 1% 0.1W T200	AS0473R-0805F
R1220	SM0805 RES 15K 1% 0.1W T200	AS0153R-0805F
R1221	SM0805 RES 15K 1% 0.1W T200	AS0153R-0805F

R1344	SM0805 RES 20K 1% 0.1W T200	AS0203R-0805F
R1345	SM0805 RES 20K 1% 0.1W T200	AS0203R-0805F
R1346	SM0805 RES 47K 1% 0.1W T200	AS0473R-0805F
R1347	SM0805 RES 3K3 1% 0.1W T200	AS0332R-0805F
R1348	SM0805 RES 2K2 1% 0.1W T200	AS0222R-0805F
R1349	SM0805 RES 2K2 1% 0.1W T200	AS0222R-0805F
R1350	SM0805 RES 2K2 1% 0.1W T200	AS0222R-0805F
R1351	SM0805 RES 2K2 1% 0.1W T200	AS0222R-0805F
R1352	SM0805 RES 3K3 1% 0.1W T200	AS0332R-0805F
R1400	SM0805 RES 4K3 1% 0.1W T200	AS0432R-0805F
R1401	SM0805 RES 4K3 1% 0.1W T200	AS0432R-0805F
R1402	SM0805 RES 4K3 1% 0.1W T200	AS0432R-0805F
R1403	SM0805 RES 20K 1% 0.1W T200	AS0203R-0805F
R1404	SM0805 RES 10K 1% 0.1W T200	AS0103R-0805F
R1405	SM0805 RES 4K3 1% 0.1W T200	AS0432R-0805F
R1406	SM0805 RES 20K 1% 0.1W T200	AS0203R-0805F
R1407	SM0805 RES 10K 1% 0.1W T200	AS0103R-0805F
R1408	SM0805 RES 4K3 1% 0.1W T200	AS0432R-0805F
R1409	SM0805 RES 20K 1% 0.1W T200	AS0203R-0805F
R1410	SM0805 RES 20K 1% 0.1W T200	AS0203R-0805F
R1411	SM0805 RES 20K 1% 0.1W T200	AS0203R-0805F
R1412	SM0805 RES 20K 1% 0.1W T200	AS0203R-0805F
R1413	SM0805 RES 10K 1% 0.1W T200	AS0103R-0805F
R1414	SM0805 RES 10K 1% 0.1W T200	AS0103R-0805F
R1415	SM0805 RES 47K 1% 0.1W T200	AS0473R-0805F
R1416	SM0805 RES 620R 1% 0.1W T200	AS0621R-0805F
R1417	SM0805 RES 47K 1% 0.1W T200	AS0473R-0805F
R1418	SM0805 RES 47K 1% 0.1W T200	AS0473R-0805F
R1419	SM0805 RES 47K 1% 0.1W T200	AS0473R-0805F
R1420	SM0805 RES 15K 1% 0.1W T200	AS0153R-0805F
R1421	SM0805 RES 15K 1% 0.1W T200	AS0153R-0805F
R1422	SM0805 RES 15K 1% 0.1W T200	AS0153R-0805F
R1423	SM0805 RES 4K3 1% 0.1W T200	AS0432R-0805F
R1424	SM0805 RES 4K3 1% 0.1W T200	AS0432R-0805F
R1425	SM0805 RES 3K3 1% 0.1W T200	AS0332R-0805F
R1426	SM0805 RES 47K 1% 0.1W T200	AS0473R-0805F
R1427	SM0805 RES 4K3 1% 0.1W T200	AS0432R-0805F
R1428	SM0805 RES 4K3 1% 0.1W T200	AS0432R-0805F
R1429	SM0805 RES 15K 1% 0.1W T200	AS0153R-0805F
R1430	SM0805 RES 3K3 1% 0.1W T200	AS0332R-0805F
R1431	SM0805 RES 47K 1% 0.1W T200	AS0473R-0805F
R1432	SM0805 RES 620R 1% 0.1W T200	AS0621R-0805F
R1433	SM0805 RES 620R 1% 0.1W T200	AS0621R-0805F
R1434	SM0805 RES 3K3 1% 0.1W T200	AS0332R-0805F
R1435	SM0805 RES 3K3 1% 0.1W T200	AS0332R-0805F
R1436	SM0805 RES 3K3 1% 0.1W T200	AS0332R-0805F
R1437	SM0805 RES 3K3 1% 0.1W T200	AS0332R-0805F
R1438	SM0805 RES 1K5 1% 0.1W T200	AS0152R-0805F
R1439	SM0805 RES 1K5 1% 0.1W T200	AS0152R-0805F
R1440	SM0805 RES 2K2 1% 0.1W T200	AS0222R-0805F
R1442	SM0805 RES 20K 1% 0.1W T200	AS0203R-0805F
R1443	SM0805 RES 20K 1% 0.1W T200	AS0203R-0805F
R1444	SM0805 RES 20K 1% 0.1W T200	AS0203R-0805F
R1445	SM0805 RES 20K 1% 0.1W T200	AS0203R-0805F
R1446	SM0805 RES 47K 1% 0.1W T200	AS0473R-0805F
R1447	SM0805 RES 3K3 1% 0.1W T200	AS0332R-0805F
R1448	SM0805 RES 2K2 1% 0.1W T200	AS0222R-0805F
R1449	SM0805 RES 2K2 1% 0.1W T200	AS0222R-0805F
R1450	SM0805 RES 2K2 1% 0.1W T200	AS0222R-0805F
R1451	SM0805 RES 2K2 1% 0.1W T200	AS0222R-0805F
R1452	SM0805 RES 3K3 1% 0.1W T200	AS0332R-0805F
TR1	TRANS BC856B-SOT23 PNP XES0-	BD10027
TR2	TRANS BC856B-SOT23 PNP XES0-	BD10027
TR1000	NPN TRANS BC846B	BS0506R-SOT23
TR102	NPN TRANS BC846B	BS0506R-SOT23
TR103	NPN TRANS BC846B	BS0506R-SOT23
TR104	NPN TRANS BC846B	BS0506R-SOT23
TR1100	NPN TRANS BC846B	BS0506R-SOT23
TR1200	NPN TRANS BC846B	BS0506R-SOT23
TR1300	NPN TRANS BC846B	BS0506R-SOT23
TR1400	NPN TRANS BC846B	BS0506R-SOT23
TR202	NPN TRANS BC846B	BS0506R-SOT23
TR203	NPN TRANS BC846B	BS0506R-SOT23

TR204	NPN TRANS BC846B	BS0506R-SOT23
TR302	NPN TRANS BC846B	BS0506R-SOT23
TR303	NPN TRANS BC846B	BS0506R-SOT23
TR304	NPN TRANS BC846B	BS0506R-SOT23
TR402	NPN TRANS BC846B	BS0506R-SOT23
TR403	NPN TRANS BC846B	BS0506R-SOT23
TR404	NPN TRANS BC846B	BS0506R-SOT23
TR500	NPN TRANS BC846B	BS0506R-SOT23
TR600	NPN TRANS BC846B	BS0506R-SOT23
TR700	NPN TRANS BC846B	BS0506R-SOT23
TR800	NPN TRANS BC846B	BS0506R-SOT23
TR900	NPN TRANS BC846B	BS0506R-SOT23
ZDI,2	ZENER DIODE 300MW 3V9 BZX84C	BS0011R-SOT23

MISCELLANEOUS HARDWARE

Description	Part Number	Used in: (part number)
2BA TERMINAL BINDING POST	NZ2219	RW5653
BLK FIBRE 5.54X3.05X.8X.1 WSHR	NC0301	RW5650, RW5651, RW5652, RW5653
FOOT- PUSH ON RUBBER	NZ10016	RW5650, RW5651, RW5652, RW5653
M3 NYLON INSERT NUT	NB0113	R-S2006A-03-AF, RW5650, RW5651, RW5652, RW5653
M3 PLAIN NUT	NB0122	RW5650, RW5651, RW5652, RW5653
M3 S/PROOF WASHER	NC0221	RW5653
M3 X 8MM PAN POZI PLTD SCREW	NA0116	R-S2006A-03-AF
M3X10MM PAN POZI SCR BLK	NA0394	RW5650, RW5651, RW5652, RW5653
M3X6 PN PZI W/CAPT WASHER ZNC	NA0401	RW5650, RW5651, RW5652, RW5653
M3X8MM TAPTITE BLK SCR	NA0337	RW5650, RW5651, RW5652, RW5653
M4X8MM PAN POZI SCRW BLCK	NA0241	RW5650, RW5651, RW5652, RW5653
NO4X1/4" PAN POZI ZNC &PASS AB	NA0190	R-S2006A-03-AF
NO6X3/8" PAN POZI AB ST SCR BZ	NA0322	RW5650, RW5651, RW5652, RW5653
SCREW PLAS NO8X3/8" BLK	NA0392	RW5650, RW5651, RW5652, RW5653
SPIRIT LIVE 4/8 PLASTIC BLOCK	ND0416	R-S2006A-03-AF
SPIRIT WARRANTY CARD	ZZ2688	RW5650, RW5651, RW5652, RW5653
VIB RES CRIMP TAG V3 TIN PLT	NE0415	L-B100B-01