

MONO CHANNELS 1 AND 2 (A AND B)

SOUNDCRAFT OWNS THE COPYRIGHT OF THIS DRAWING WHICH IS NOT TO BE COPIED, REPRODUCED OR DISCLOSED, IN PART OR IN WHOLE TO A THIRD PARTY WITHOUT WRITTEN PERMISSION.

- NOTES
- (1) MONO INPUT CHANNELS 3 TO 6 ARE REPEATED WITH COMPONENT REF C TO F.
 - (2) CA6 NOT FITTED - CB6 TO CF6 FITTED. (AS PER CIRCUIT)

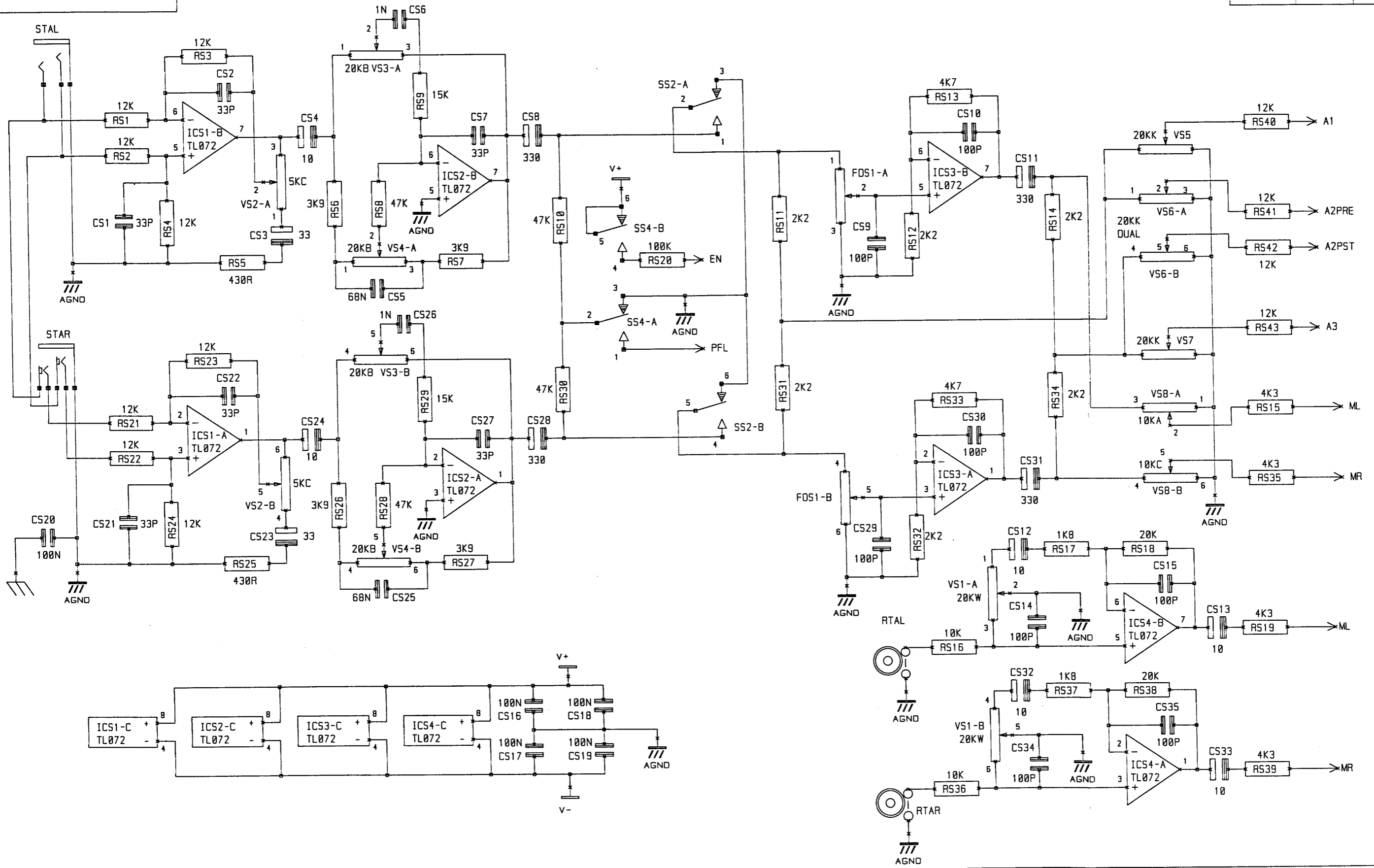
NOTES

SOUNDCRAFT
HARMAN INT. INDUSTRIES LTD.
CRANBORNE HOUSE,
CRANBORNE ROAD,
POTTERS BAR,
HERTS., ENG 3JN.
TEL: 01707 665000
FAX: 01707 660402

DRN. GHB

TITLE FOLIO F1 6 I/P MONO INPUT

ORG NO. ED 3800A



SOUNDCRAFT OWNS THE COPYRIGHT OF THIS DRAWING WHICH IS NOT TO BE COPIED, REPRODUCED OR DISCLOSED, IN PART OR IN WHOLE TO A THIRD PARTY WITHOUT WRITTEN PERMISSION.

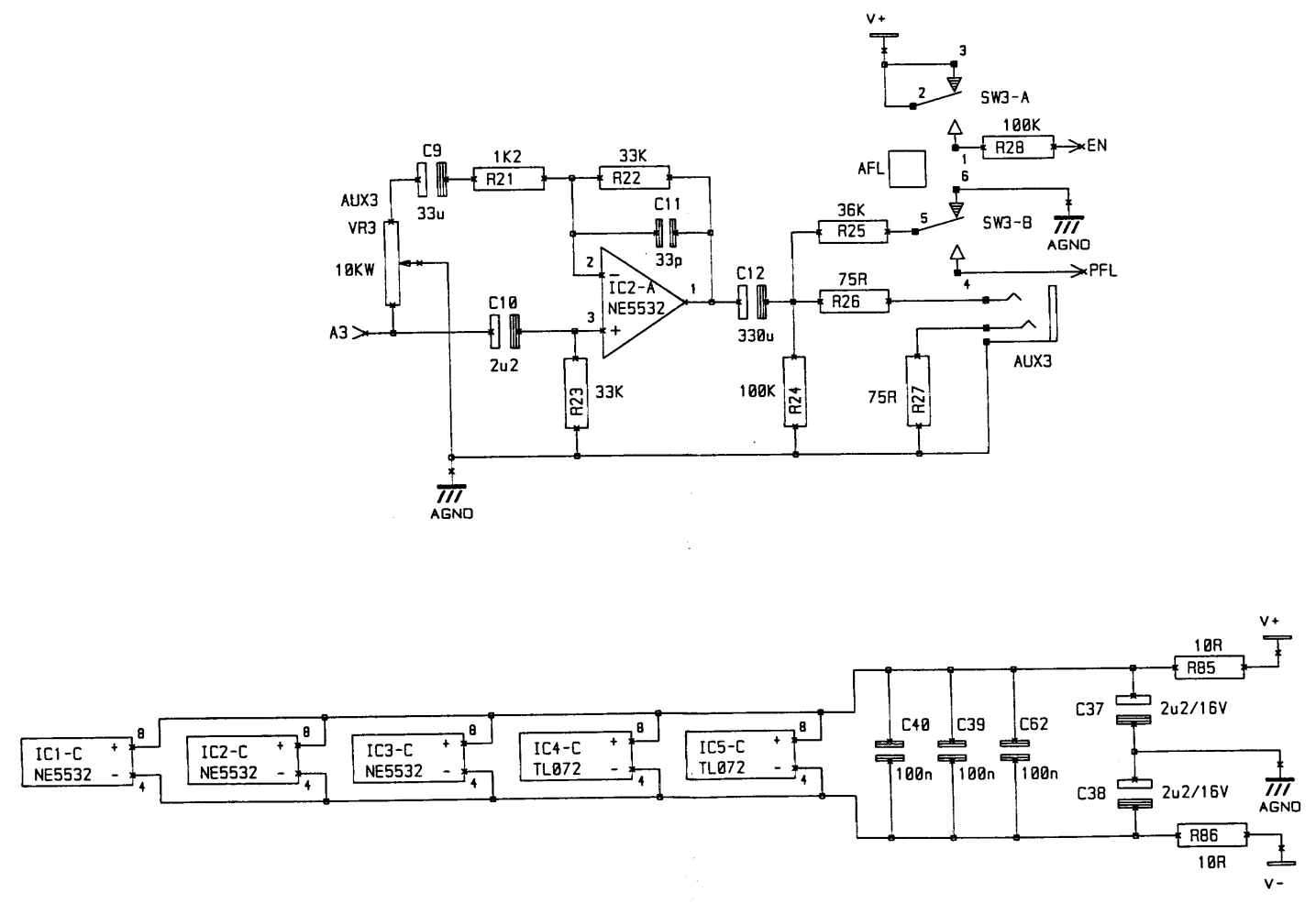
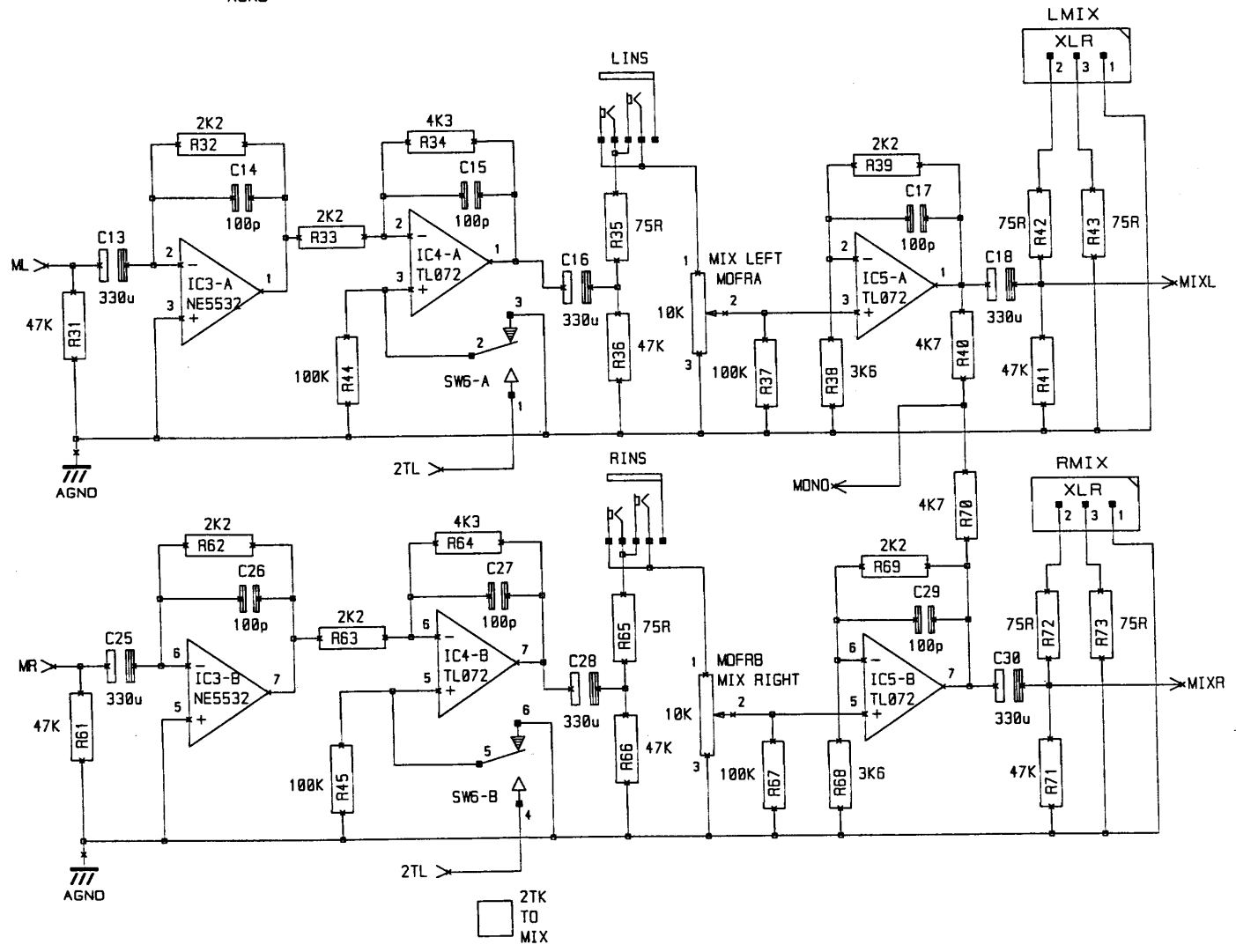
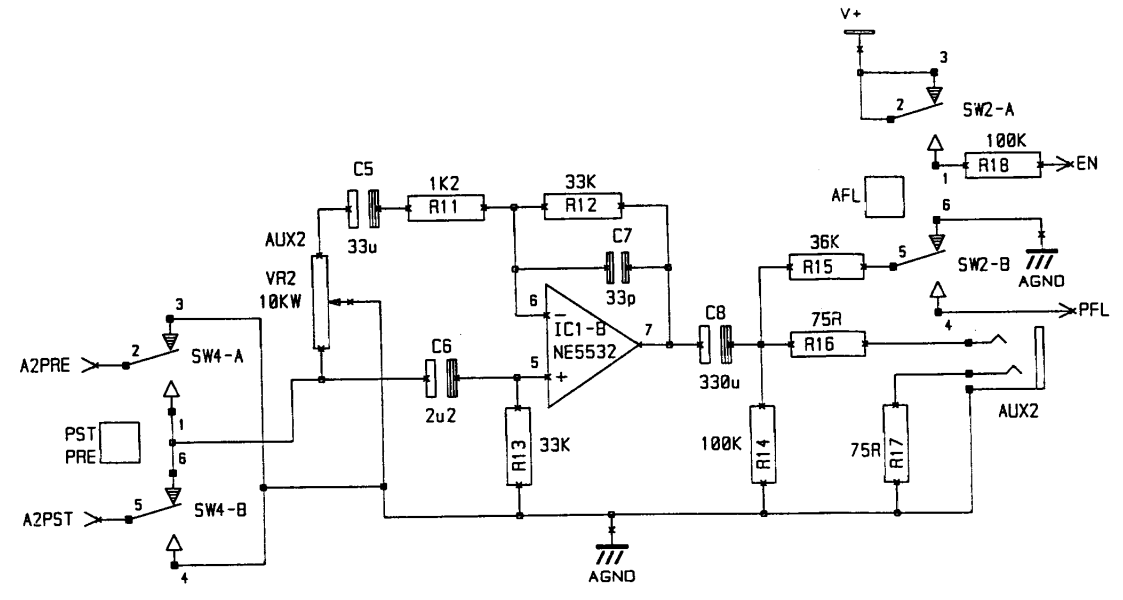
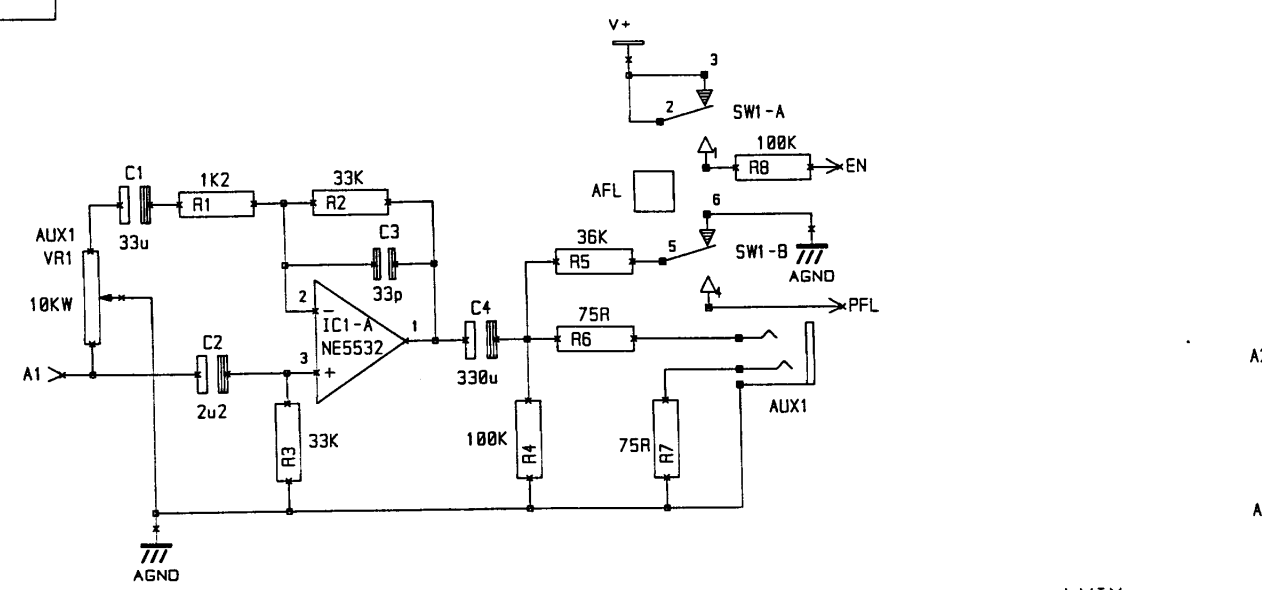
NOTES
 (1) STEREO INPUT CHANNEL B STEP AND REPEATED.

SOUNDCRAFT
 HARMAN INT. INDUSTRIES LTD.
 CRANBORNE HOUSE,
 CRANBORNE ROAD,
 POTTERS BAR,
 HERTS., EN6 3JN.
 TEL: 01707 665000
 FAX: 01707 660482

DRN.
 GHB

TITLE
 FOLIO F1 6 I/P
 STEREO INPUT

DRG NO. ED3800B
 SHT. 2 OF 5



SOUNDCRAFT OWNS THE COPYRIGHT OF THIS DRAWING WHICH IS NOT TO BE COPIED, REPRODUCED OR DISCLOSED, IN PART OR IN WHOLE TO A THIRD PARTY WITHOUT WRITTEN PERMISSION.

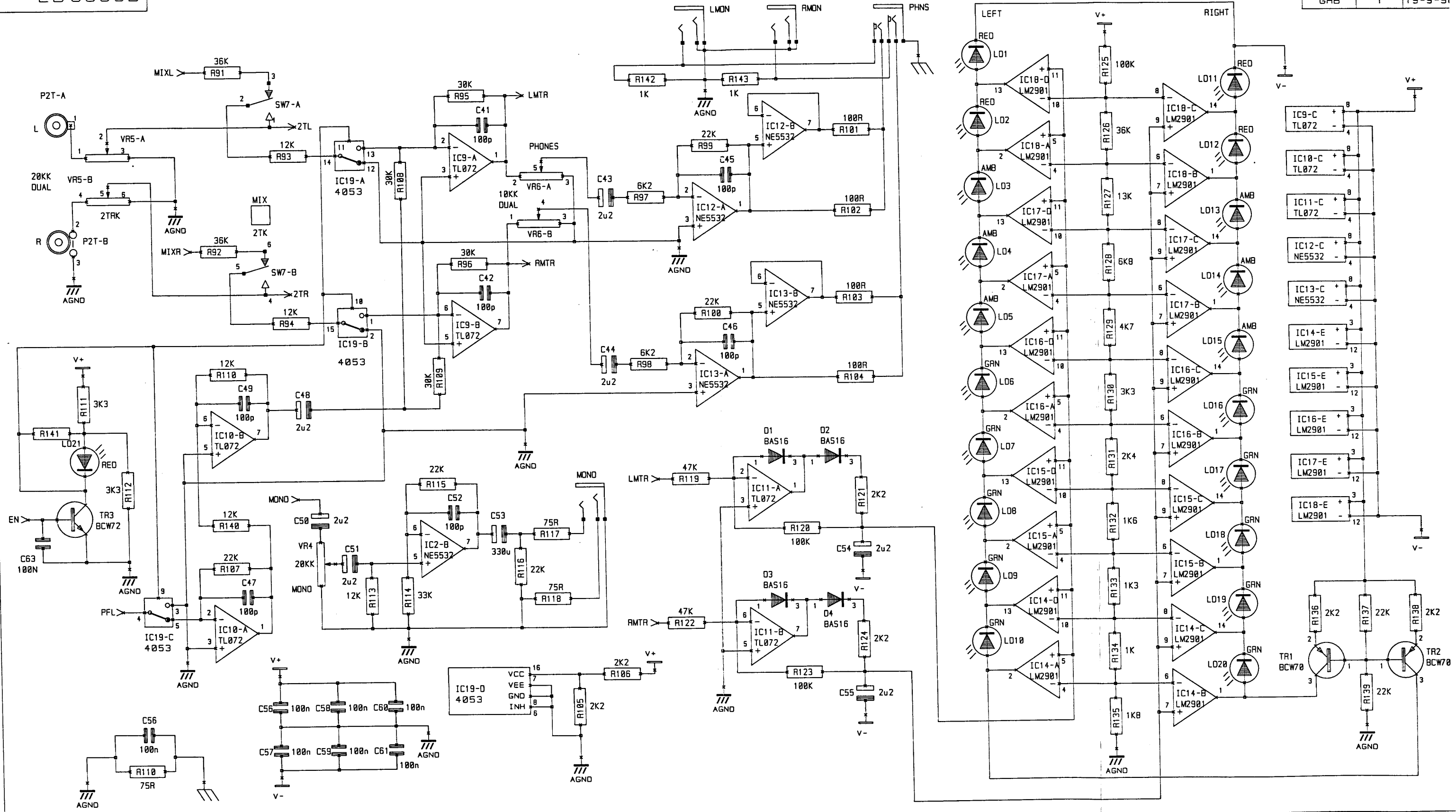
NOTES

SOUNDCRAFT
HARMAN INT. INDUSTRIES LTD.
CRANBORNE HOUSE,
CRANBORNE ROAD,
POTTERS BAR,
HERTS., EN6 3JN
TEL: 01707 665000
FAX: 01707 660482

DRN. GHB

TITLE
FOLIO F1 6 I/P
MASTER SECTION A

DRG NO. ED3800C



SOUNDCRAFT OWNS THE COPYRIGHT OF THIS DRAWING WHICH IS NOT TO BE COPIED, REPRODUCED OR DISCLOSED, IN PART OR IN WHOLE TO A THIRD PARTY WITHOUT WRITTEN PERMISSION.

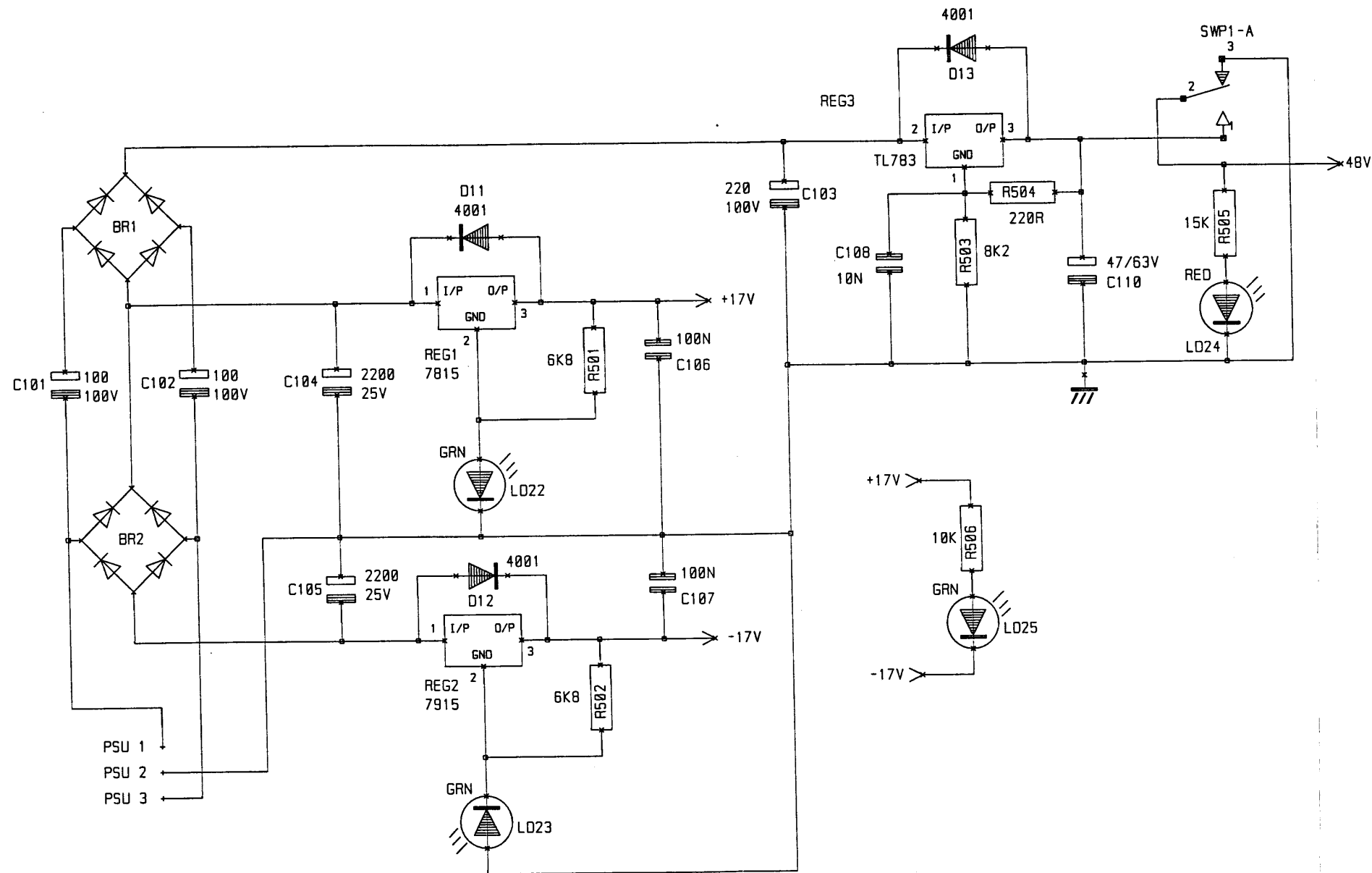
NOTES

SOUNDCRAFT
HARMAN INT. INDUSTRIES LTD.
CRANBORNE HOUSE,
CRANBORNE ROAD,
POTTERS BAR,
HERTS., EN6 3JN
TEL: 01707 665000
FAX: 01707 660482

DRN. GHB

TITLE FOLIO F1 6 I/P
MASTER SECTION E

ORG NO. ED 38000



SOUNDCRAFT OWNS THE COPYRIGHT OF THIS DRAWING WHICH IS NOT TO BE COPIED, REPRODUCED OR DISCLOSED, IN PART OR IN WHOLE TO A THIRD PARTY WITHOUT WRITTEN PERMISSION.

NOTES

SOUNDCRAFT
HARMAN INT. INDUSTRIES LTD.
CRANBORNE HOUSE,
CRANBORNE ROAD,
POTTERS BAR,
HERTS., EN6 3JN.
TEL: 01707 665000
FAX: 01707 660482

DRN.

GHB

TITLE FOLIO F1 6 I/P
PSU

DRG NO. ED3800E