

PIN NUMBERS ON IFCN1 CONNECTOR. REPEATED FOR OTHER BLOCKS OF 4 CHANNELS

PRE AMP & EQ

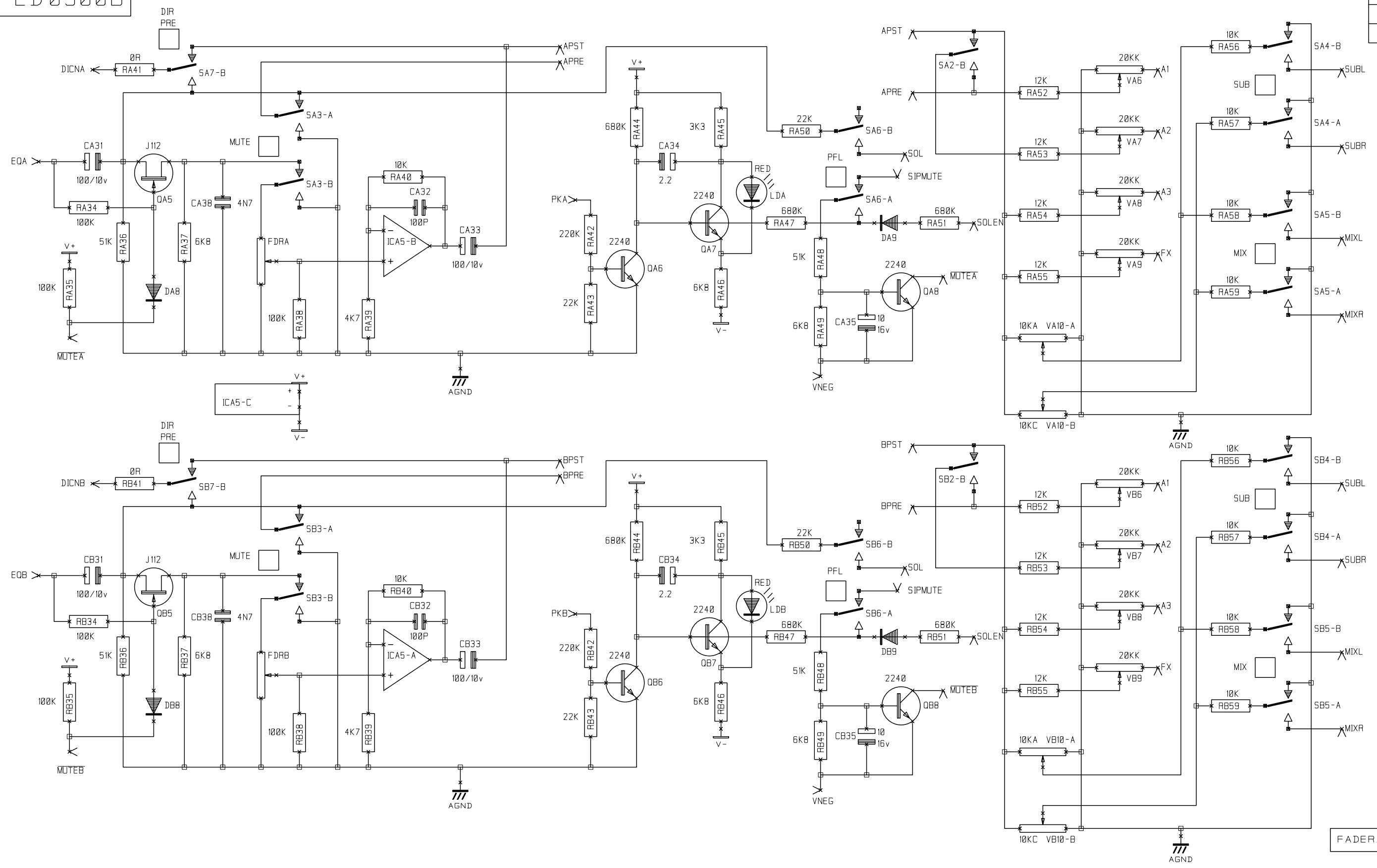
NOTES

NOTES

DRN. GHB

TITLE SPIRIT FX16 Mk.2 MONO INPUT
 DRG NO. ED 0500A
 SHT. 1 OF 7

INITIAL	ISSUE	DATE
GB	01A	02-11-06
PT	02A	13-03-06



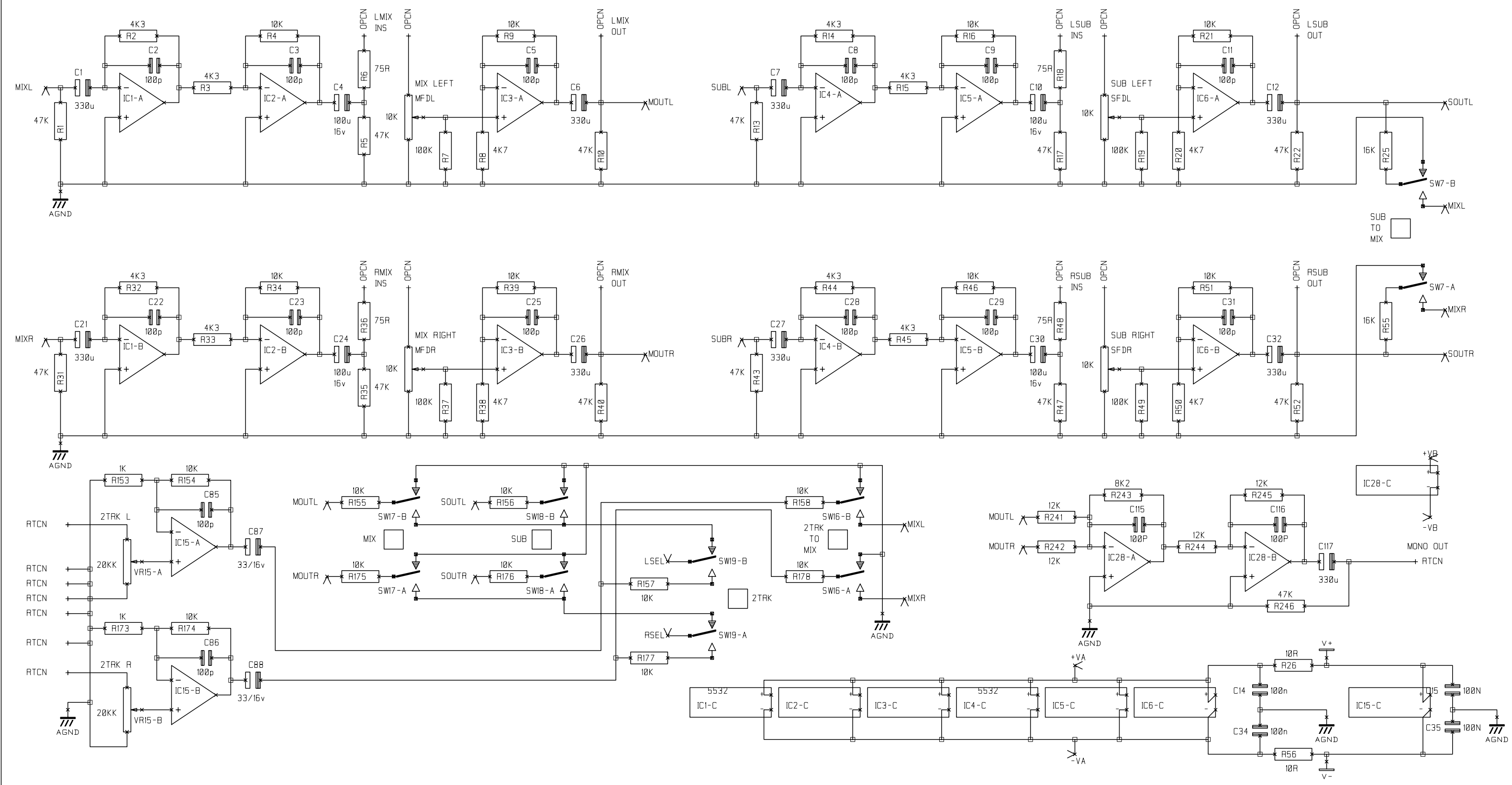
NOTES
 RA,RB37 (100K) NOW 6K8
 ADDED CA,CB38 = 4N7

DRN. GHB

TITLE
 SPIRIT FX16 Mk.2
 MONO INPUT

DRG NO. ED 0500B

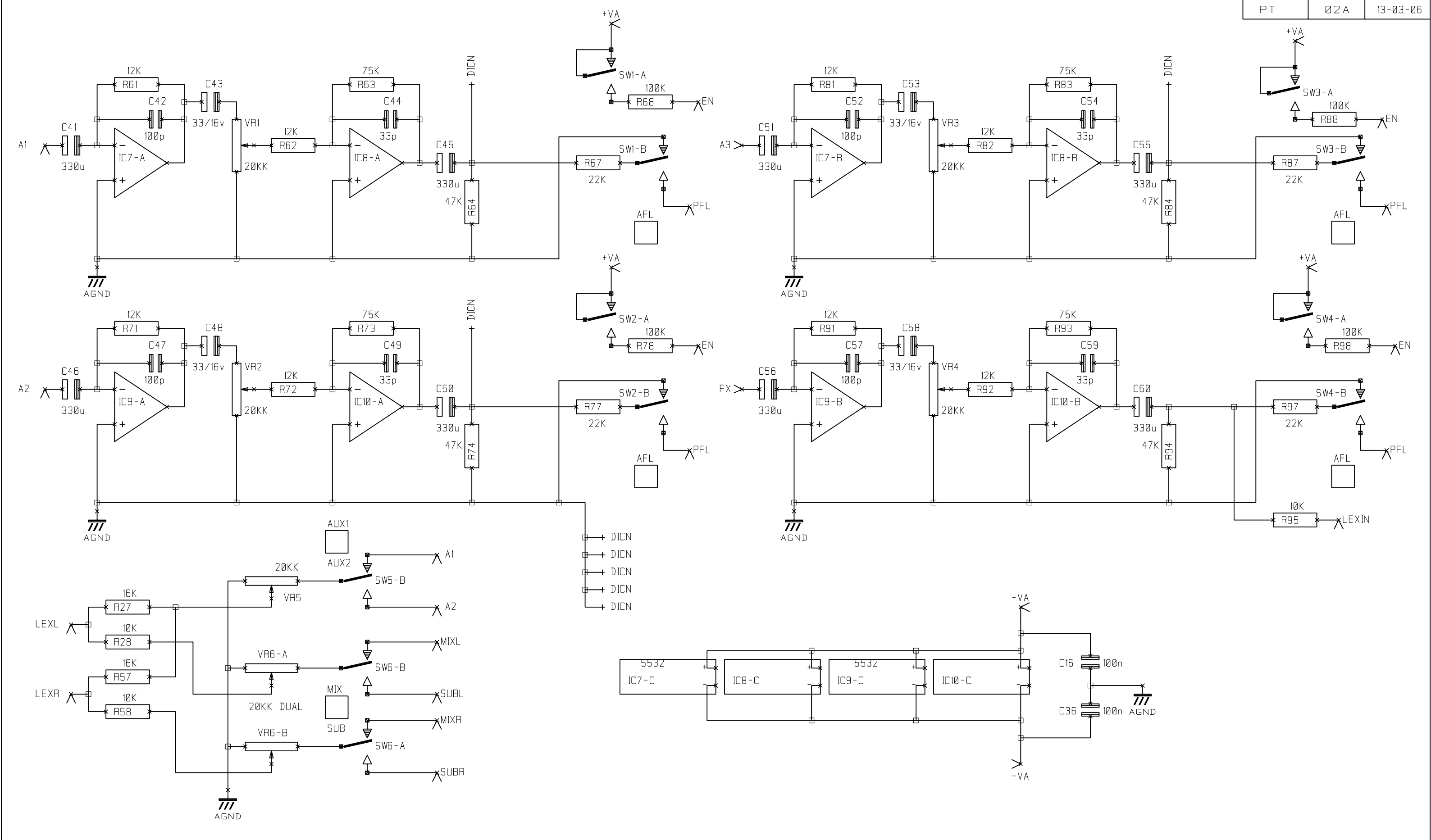
INITIAL	ISSUE	DATE
GB	01A	03-11-06
PT	02A	13-03-06



NOTES

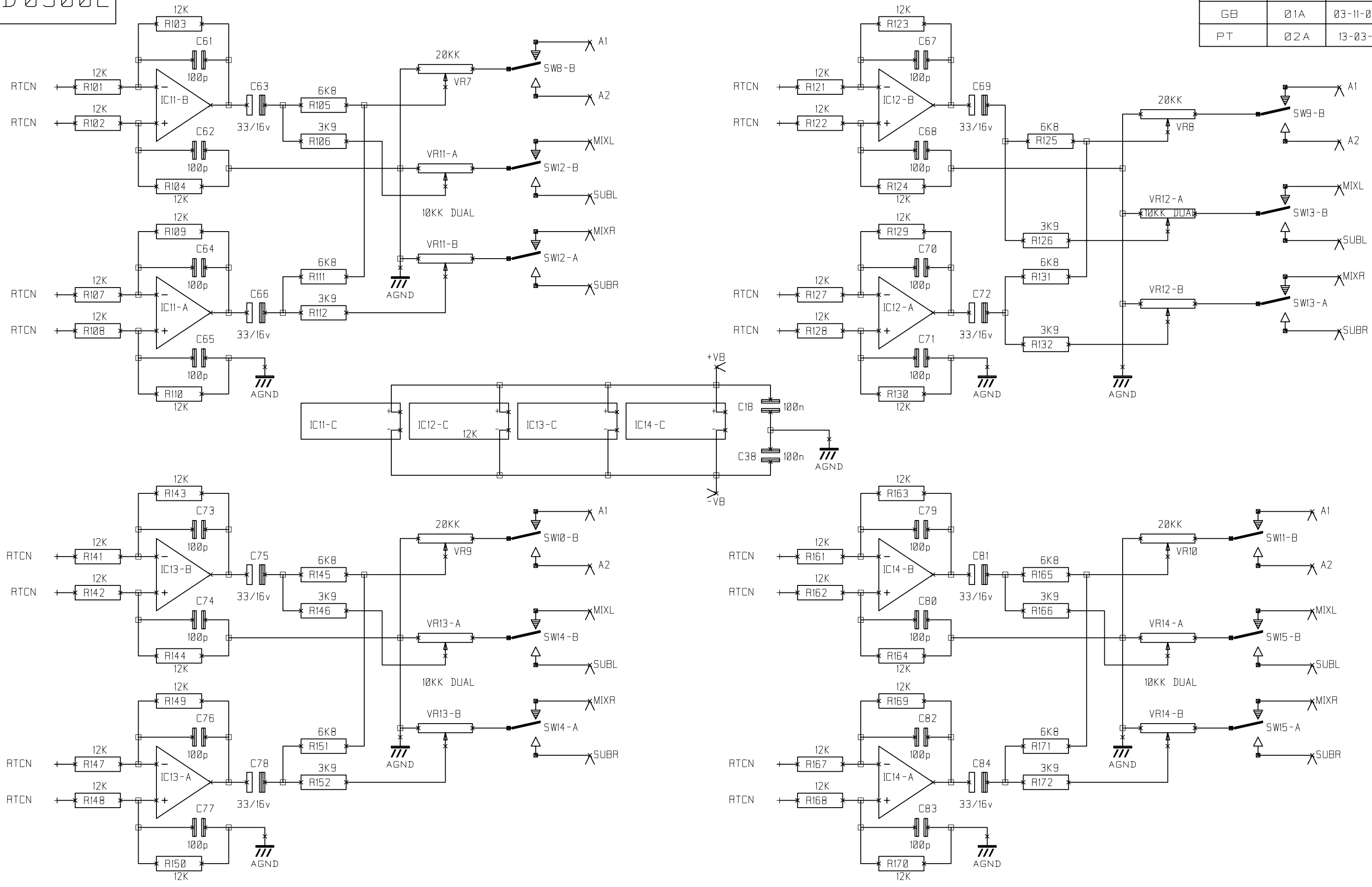
DRN.	GHB	TITLE	SPIRIT FX16 Mk.2 MASTER 1
		DRG NO.	ED0500C

INITIAL	ISSUE	DATE
GB	01A	03-11-06
PT	02A	13-03-06



NOTES	DRN.	GHB	TITLE SPIRIT FX16 Mk.2 MASTER 2
	DRG NO. ED0500D		

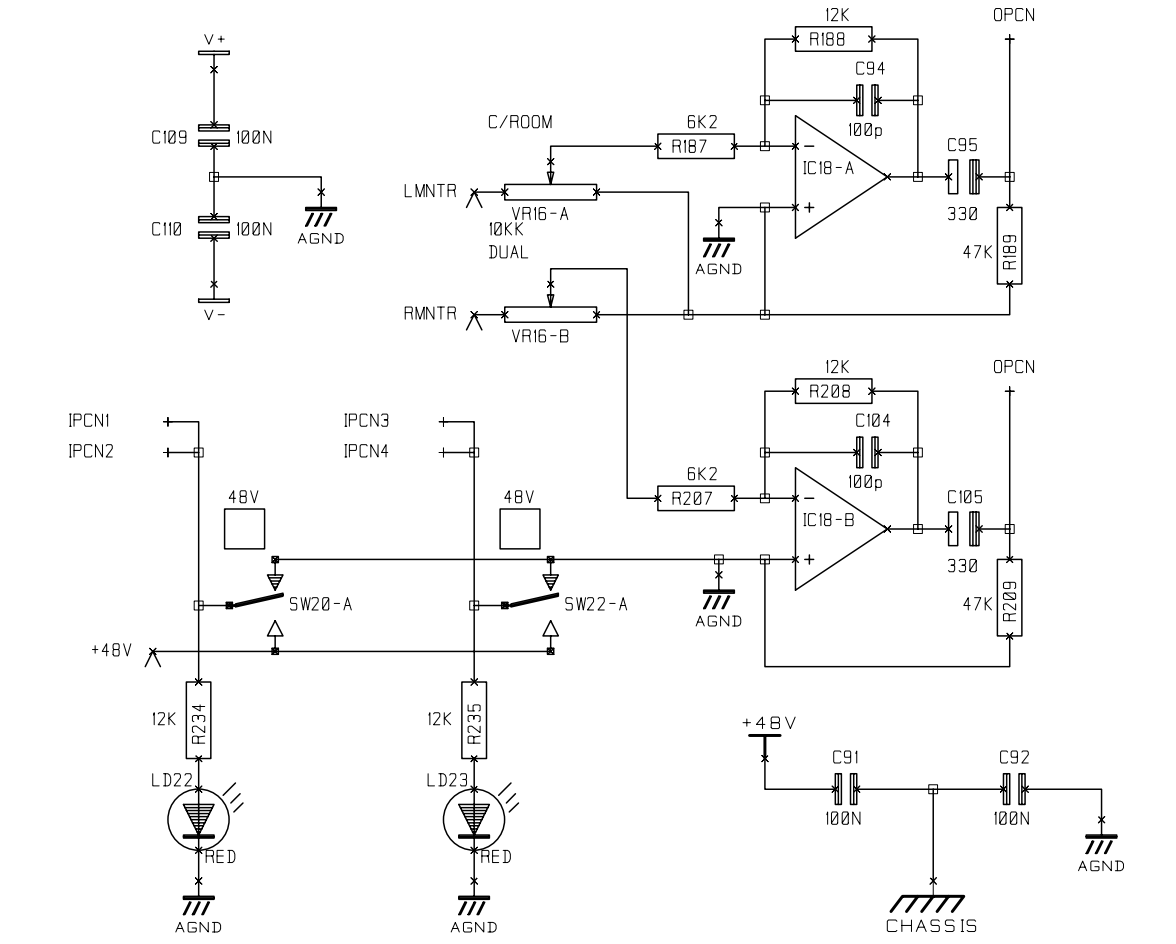
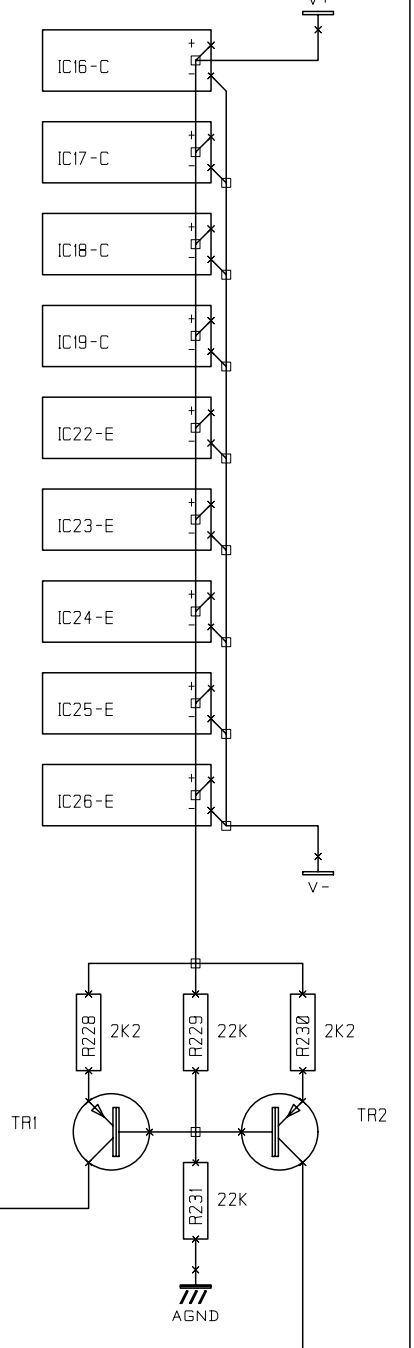
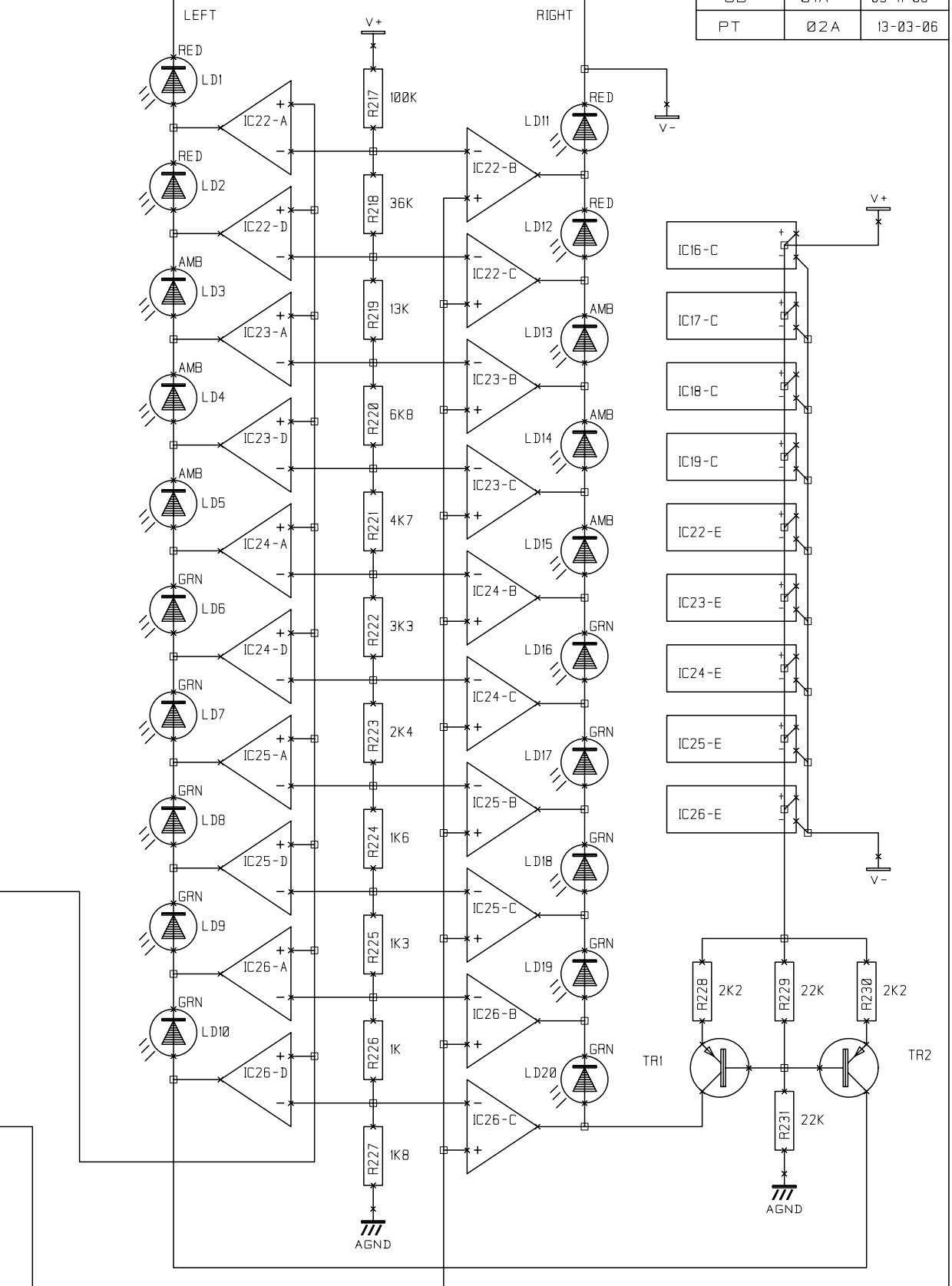
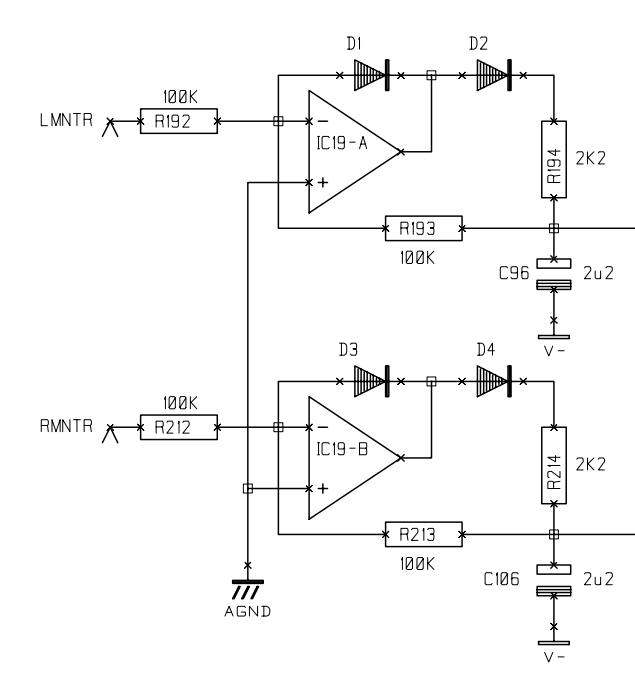
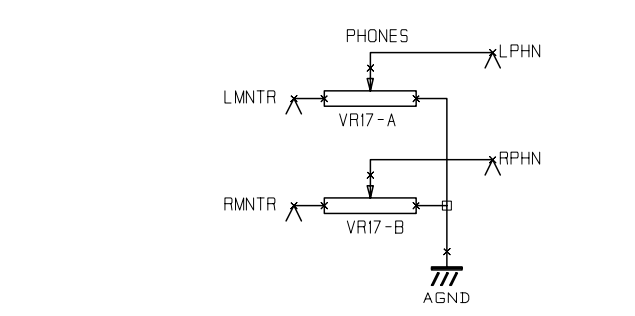
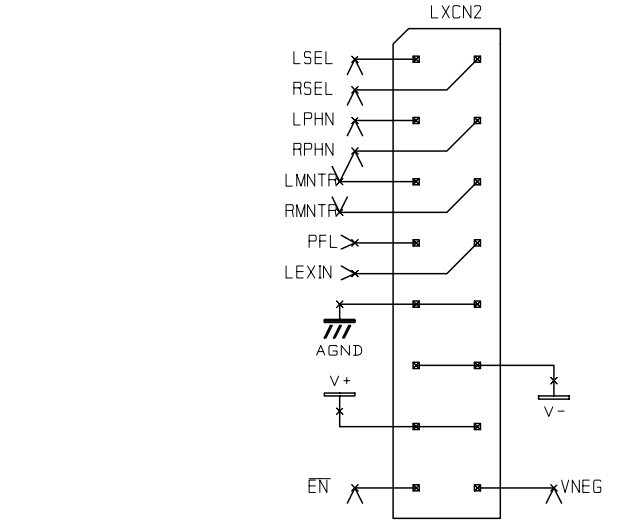
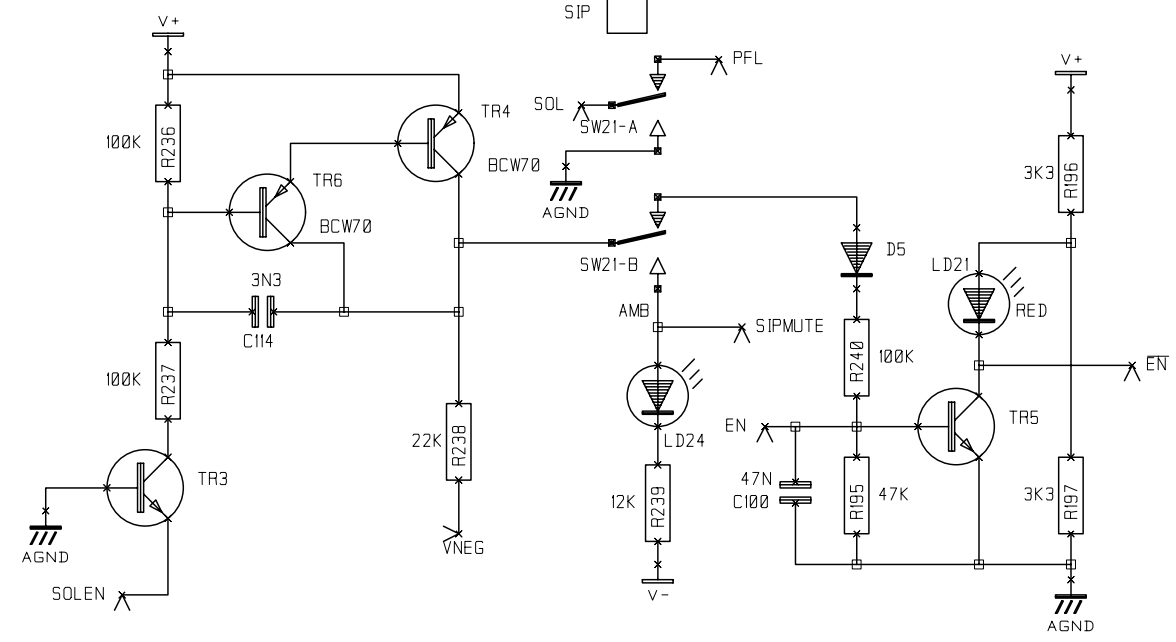
INITIAL	ISSUE	DATE
GB	01A	03-11-06
PT	02A	13-03-06



NOTES

DRN. GHB
 TITLE SPIRIT FX16 Mk.2
 MASTER 3
 DRG NO. ED 0500E
 SHT. 5 OF 7

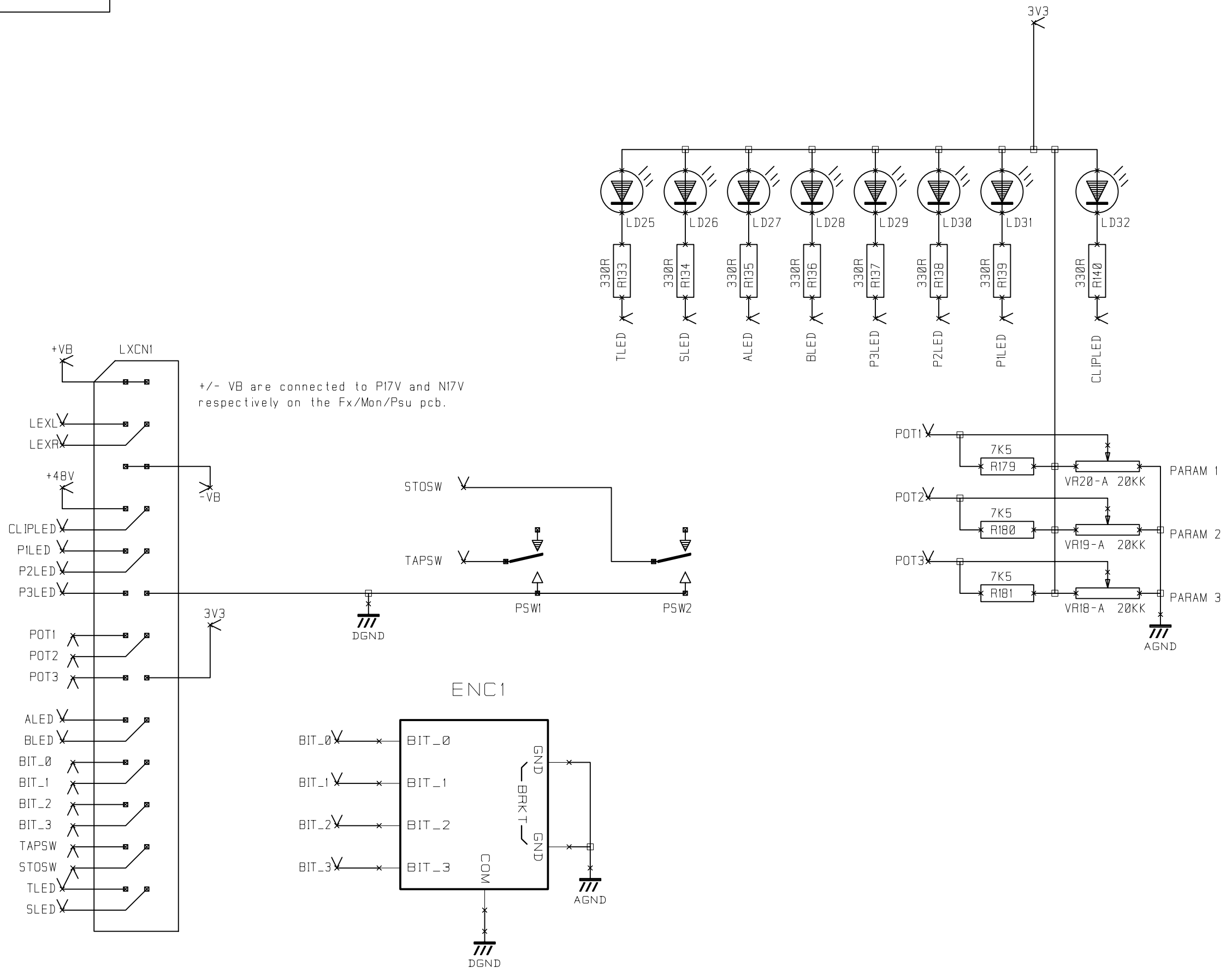
INITIAL	ISSUE	DATE
GB	01A	03-11-06
PT	02A	13-03-06



NOTES
C114 CHANGED FROM 4N7 TO 3N3

DRN.	GHB	TITLE	SPIRIT FX16 Mk.2 MASTER 4
		DRG NO.	ED0500F

INITIAL	ISSUE	DATE
GB	Ø1A	03-11-06
PT	Ø2A	13-03-06



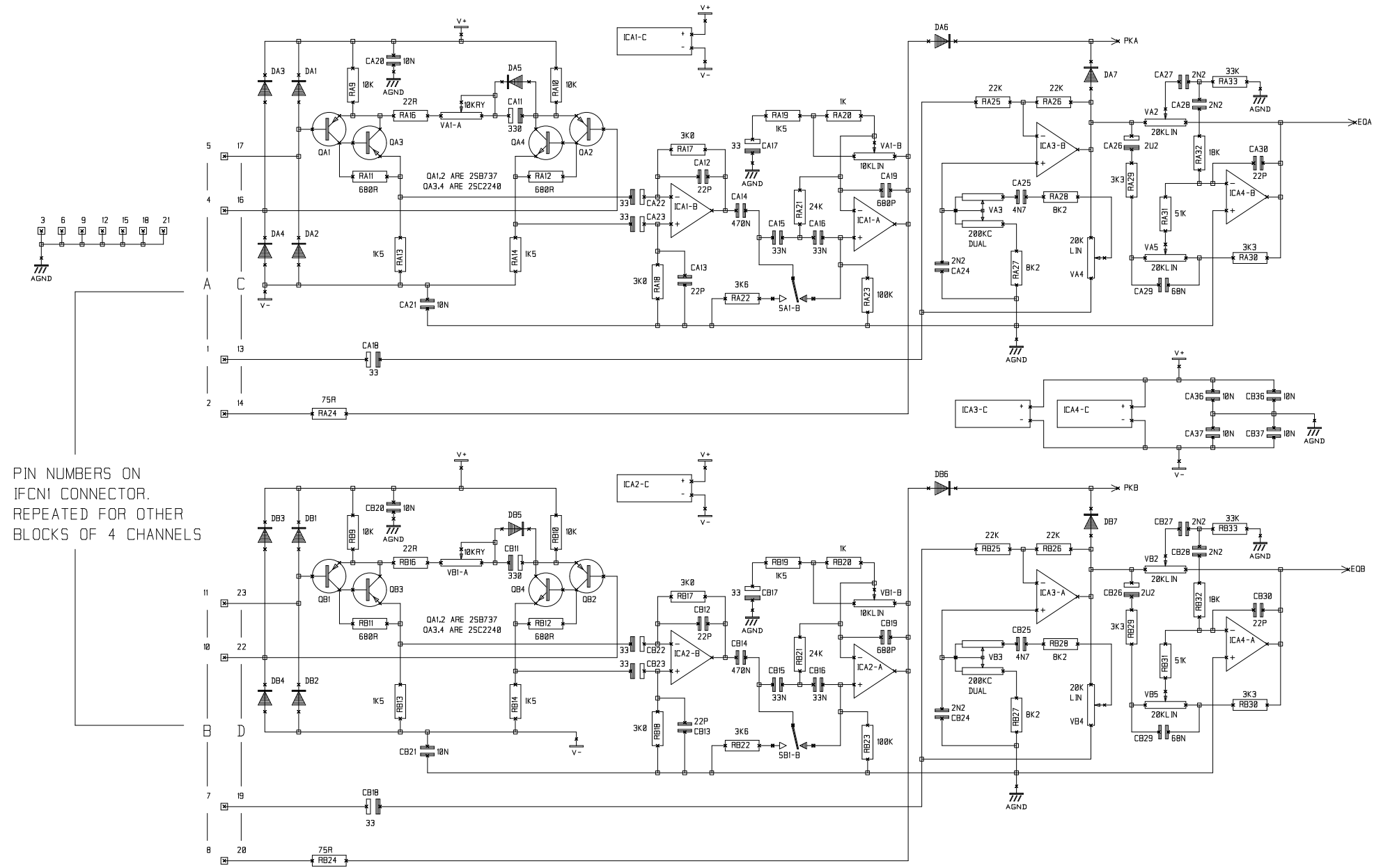
NOTES

- 1.PARAM SWITCHES PULL UP RES ON LEXICHIP PCB.
- 2.4 BIT GRAY CODE AND 2 BIT INC ENCODERS NOT SHOWN.
PULL UPS ON LEXICHIP PCB.
3. +VB AND -VB ARE FROM +17V AND -17V ON PSU.

DRN. GHB

TITLE SPIRIT FX16 Mk2
LEXICON INTERFACE

DRG NO. ED0500G



PIN NUMBERS ON IFCNI CONNECTOR. REPEATED FOR OTHER BLOCKS OF 4 CHANNELS

PRE AMP & EQ

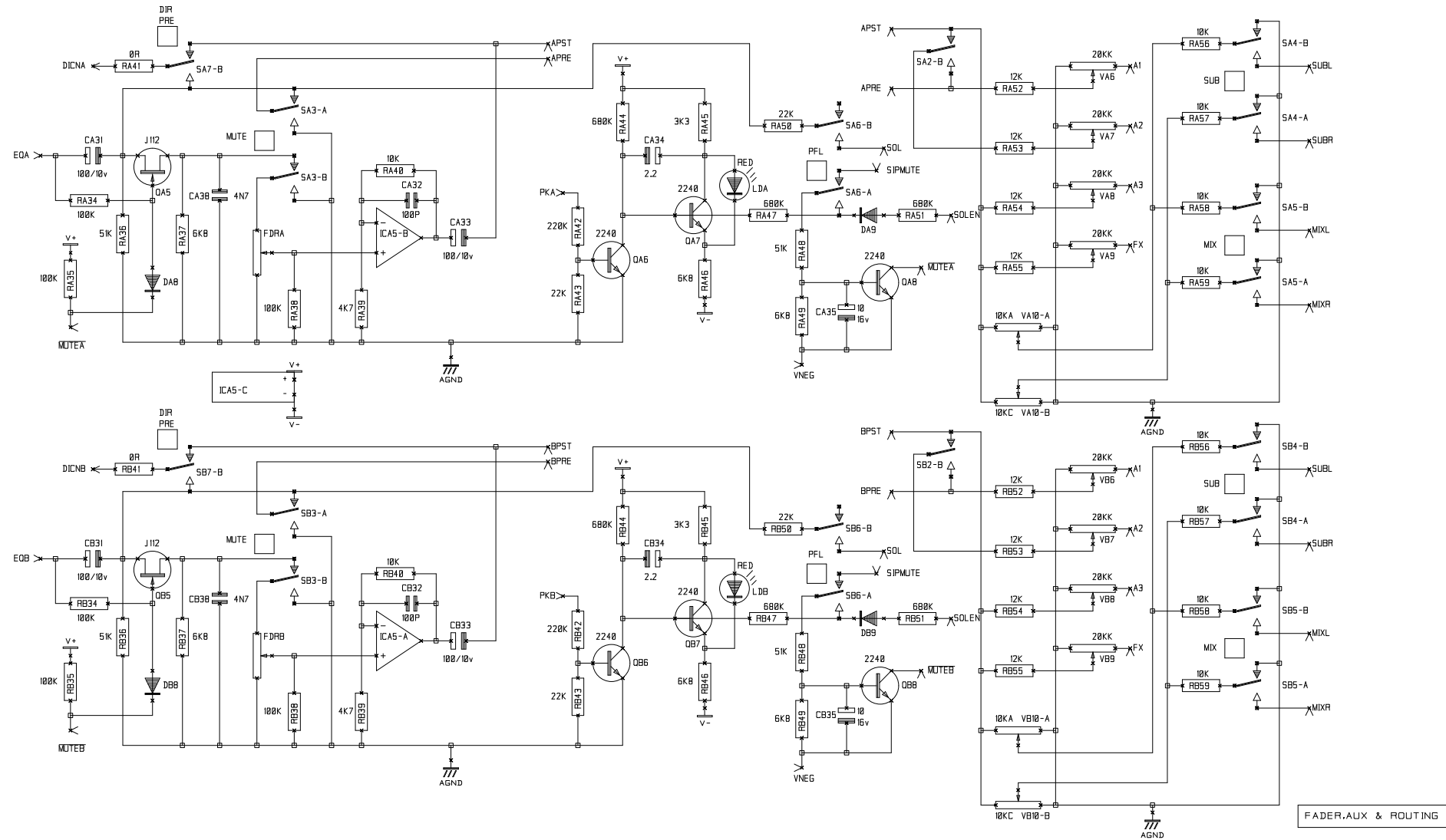
HARMAN INTERNATIONAL INDUSTRIES LTD. OWNS THE COPYRIGHT OF THIS DRAWING WHICH IS NOT TO BE COPIED, REPRODUCED OR DISCLOSED, IN PART OR WHOLE TO A THIRD PARTY WITHOUT PRIOR WRITTEN PERMISSION.

SOUNDCRAFT/STUDER
HARMAN INT. INDUSTRIES LTD.
CRANBORNE HOUSE,
CRANBORNE ROAD,
POTTERS BAR,
HERTS. EN6 3JN
ENGLAND UK
TEL: +44(1707) 665000
WWW.HARMANPRO.COM

NOTES:

DRN.	CN No.	INITIAL	DATE	ISSUE	TITLE
	----	GB	02-11-06	01A	SPIRIT FX16 Mk.2 MONO INPUT
DATE	----	PT	13-03-06	02A	
PROJECT CODE	EC0061	PT	12-10-07	03A	

DRG NO. E0500A-03A SHT. 1 OF 7



RA, RB37 (100K) NOW 6K8
 ADDED CA, CB38 = 4N7

FADER, AUX & ROUTING

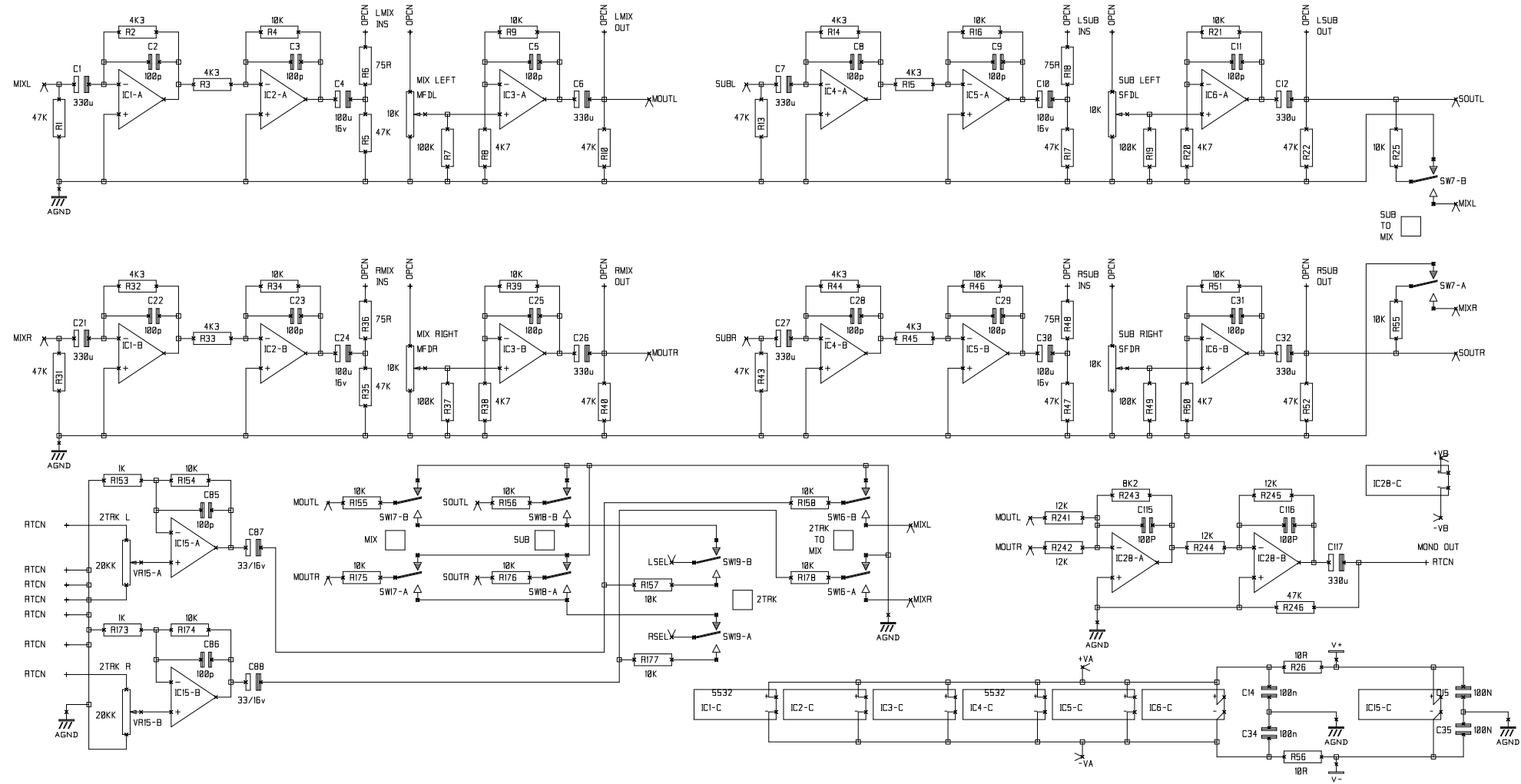
HARMAN INTERNATIONAL INDUSTRIES LTD. OWNS THE COPYRIGHT OF THIS DRAWING WHICH IS NOT TO BE COPIED, REPRODUCED OR DISCLOSED, IN PART OR WHOLE TO A THIRD PARTY WITHOUT PRIOR WRITTEN PERMISSION.

SOUNDCRAFT/STUDER
 HARMAN INT. INDUSTRIES LTD.
 CRANBORNE HOUSE,
 CRANBORNE ROAD,
 POTTERS BAR,
 HERTS. EN6 3JN
 ENGLAND UK
 TEL: +44(1707) 665000
 WWW.HARMANPRO.COM

NOTES:

DRN.	CN No.	INITIAL	DATE	ISSUE	TITLE
	----	GB	02-11-06	01A	SPIRIT FX16 Mk.2 MONO INPUT
DATE	----	PT	13-03-06	02A	
PROJECT CODE	EC0061	PT	12-10-07	03A	

DRG NO. E0500A-03A SHT. 2 OF 7



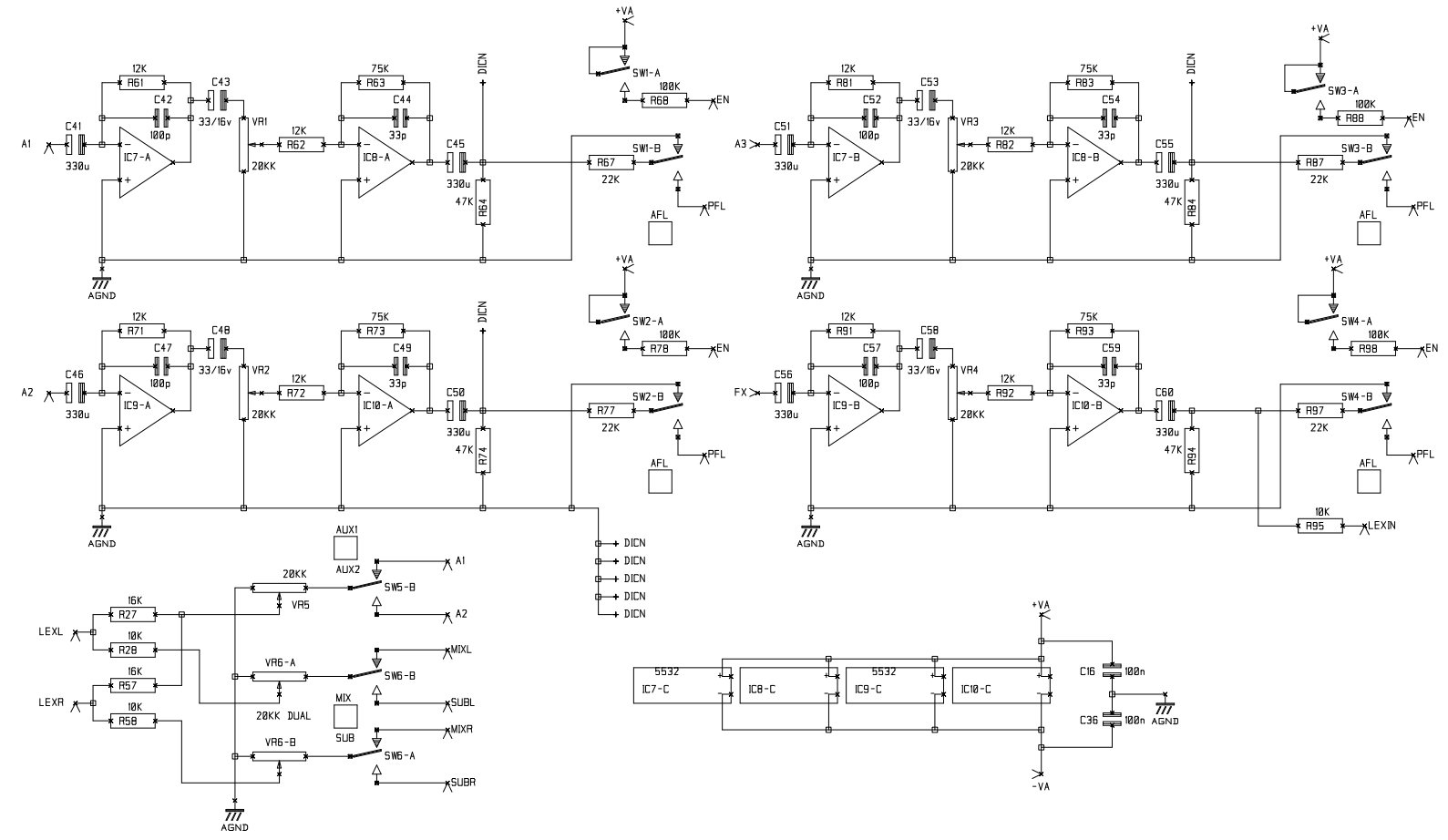
HARMAN INTERNATIONAL INDUSTRIES LTD. OWNS THE COPYRIGHT OF THIS DRAWING WHICH IS NOT TO BE COPIED, REPRODUCED OR DISCLOSED, IN PART OR WHOLE TO A THIRD PARTY WITHOUT PRIOR WRITTEN PERMISSION.

SOUNDCRAFT/STUDER
 HARMAN INT. INDUSTRIES LTD.
 CRANBORNE HOUSE,
 CRANBORNE ROAD,
 POTTERS BAR,
 HERTS. EN6 3JN
 ENGLAND UK
 TEL: +44(1707) 665000
 WWW.HARMANPRO.COM

NOTES:

DRN.	CN No.	INITIAL	DATE	ISSUE	TITLE
DATE	-----	GB	02-11-06	01A	
PROJECT CODE	-----	PT	13-03-06	02A	
	EC0061	PT	12-10-07	03A	DRG NO.
					E0500A-03A
					SHT. 3 OF 7

TITLE				
SPIRIT FX16 Mk.2 MONO INPUT				
DRG NO.				
E0500A-03A				
SHT. 3 OF 7				



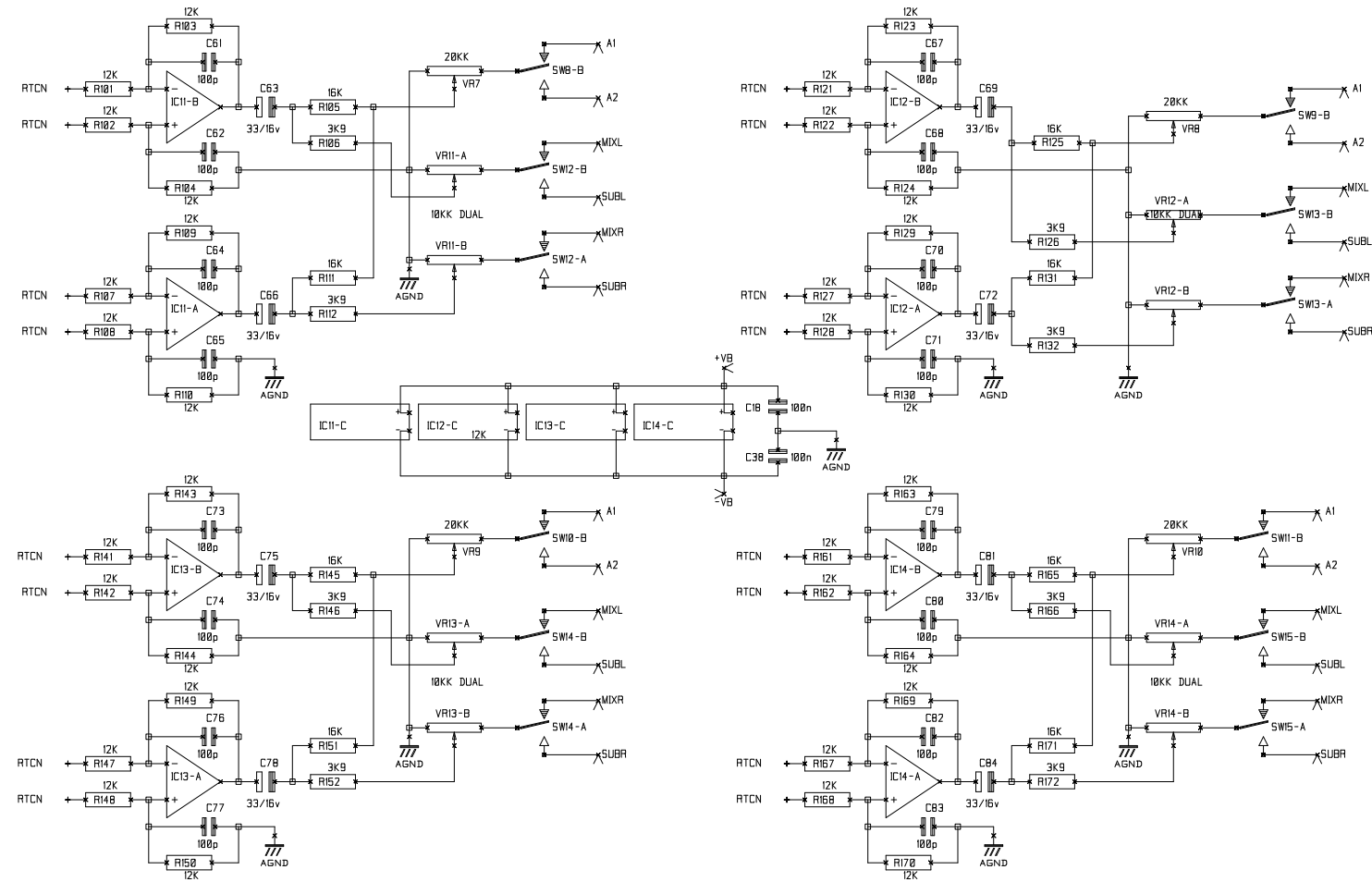
HARMAN INTERNATIONAL INDUSTRIES LTD. OWNS THE COPYRIGHT OF THIS DRAWING WHICH IS NOT TO BE COPIED, REPRODUCED OR DISCLOSED, IN PART OR WHOLE TO A THIRD PARTY WITHOUT PRIOR WRITTEN PERMISSION.

SOUNDCRAFT/STUDER
HARMAN INT. INDUSTRIES LTD.
CRANBORNE HOUSE,
CRANBORNE ROAD,
POTTERS BAR,
HERTS. EN6 3JN
ENGLAND UK
TEL: +44(1707) 665000
WWW.HARMANPRO.COM

NOTES:

DRN.	CN No.	INITIAL	DATE	ISSUE	TITLE SPIRIT FX16 Mk.2 MONO INPUT
DATE	-----	GB	02-11-06	01A	
PROJECT CODE	EC0061	PT	13-03-06	02A	
					DRG NO. E0500A-03A

					SHT. 4 OF 7
--	--	--	--	--	----------------



HARMAN INTERNATIONAL INDUSTRIES LTD. OWNS THE COPYRIGHT OF THIS DRAWING WHICH IS NOT TO BE COPIED, REPRODUCED OR DISCLOSED, IN PART OR WHOLE TO A THIRD PARTY WITHOUT PRIOR WRITTEN PERMISSION.

SOUNDCRAFT/STUDER
 HARMAN INT. INDUSTRIES LTD.
 CRANBORNE HOUSE,
 CRANBORNE ROAD,
 POTTERS BAR,
 HERTS. EN6 3JN
 ENGLAND UK
 TEL: +44(1707) 665000
 WWW.HARMANPRO.COM

NOTES:

DRN.

DATE

PROJECT CODE

CN No.

INITIAL

DATE

ISSUE

TITLE

DRG NO.

01A

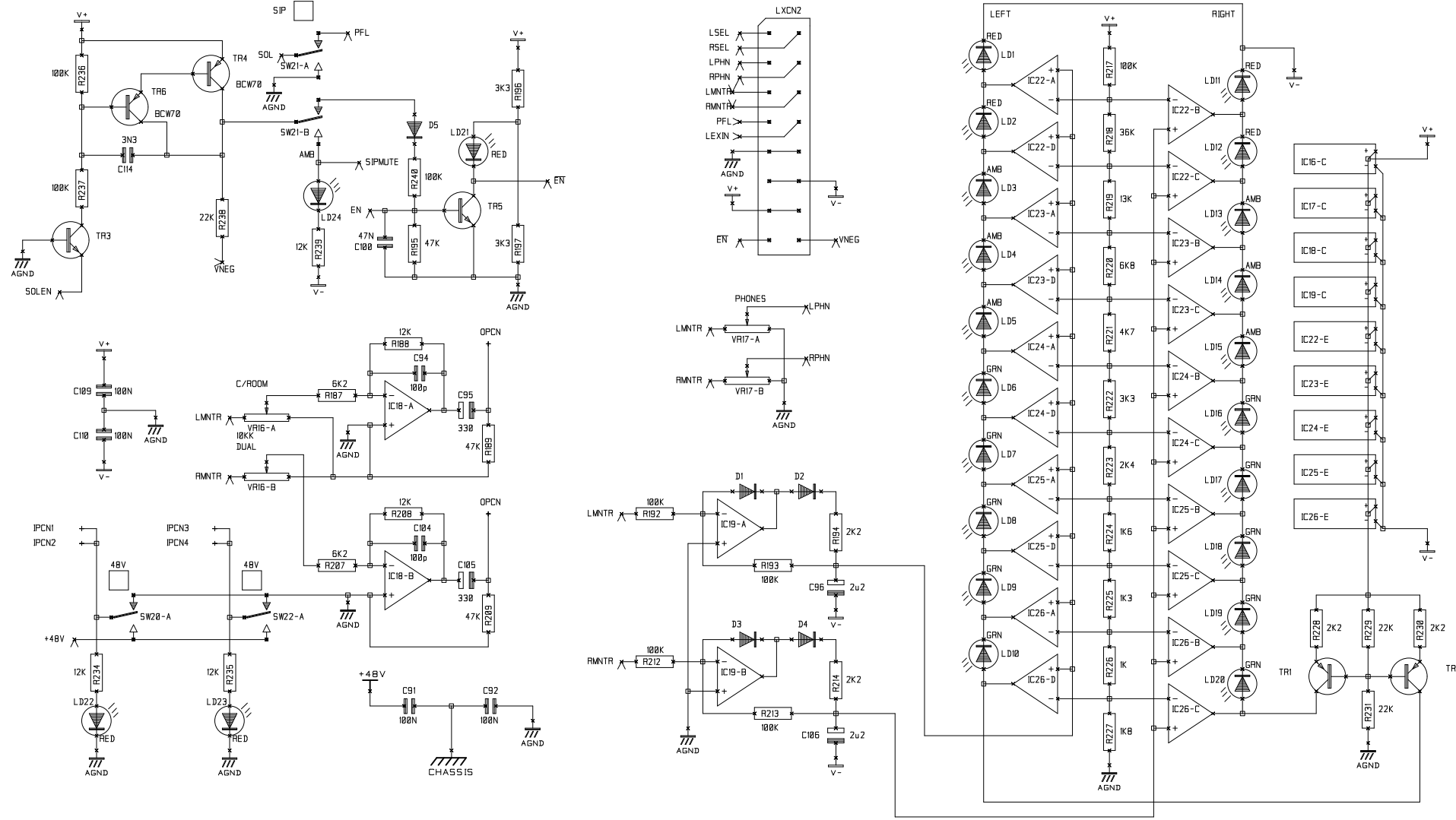
02A

03A

SPIRIT FX16 Mk.2
 MONO INPUT

E0500A-03A

SHT. 5
 OF 7



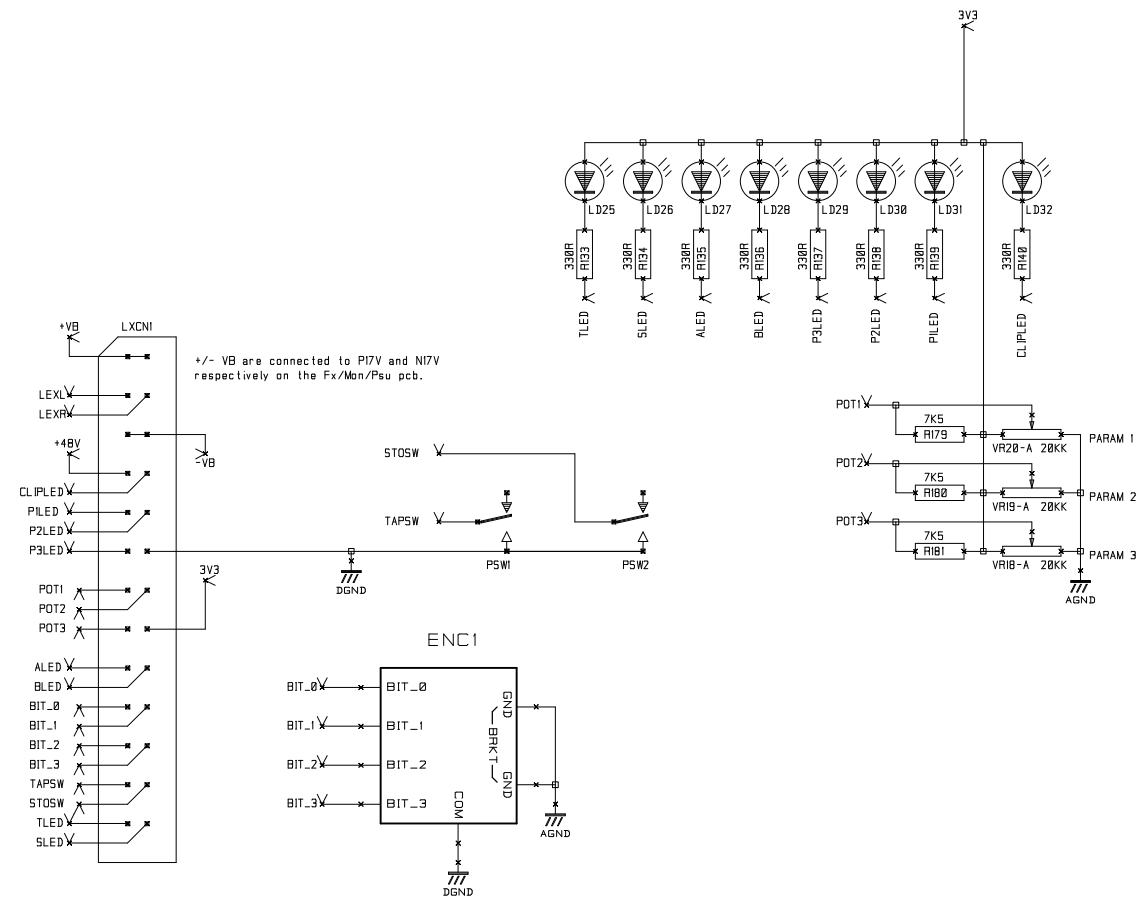
C114 CHANGED FROM 4N7 TO 3N3

HARMAN INTERNATIONAL INDUSTRIES LTD. OWNS THE COPYRIGHT OF THIS DRAWING WHICH IS NOT TO BE COPIED, REPRODUCED OR DISCLOSED, IN PART OR WHOLE TO A THIRD PARTY WITHOUT PRIOR WRITTEN PERMISSION.

SOUNDCRAFT/STUDER
 HARMAN INT. INDUSTRIES LTD.
 CRANBORNE HOUSE,
 CRANBORNE ROAD,
 POTTERS BAR,
 HERTS. EN6 3JN
 ENGLAND UK
 TEL: +44(1707) 665000
 WWW.HARMANPRO.COM

NOTES:

DRN.	CN No.	INITIAL	DATE	ISSUE	TITLE
	----	GB	02-11-06	01A	SPIRIT FX16 Mk.2 MONO INPUT
DATE	----	PT	13-03-06	02A	
	EC0061	PT	12-10-07	03A	
PROJECT CODE					DRG NO. E0500A-03A



1.PARAM SWITCHES PULL UP RES ON LEXICHP PCB.
2.4 BIT GRAY CODE AND 2 BIT INC ENCODERS NOT SHOWN.
PULL UPS ON LEXICHP PCB.
3. +VB AND -VB ARE FROM +17V AND -17V ON PSU.

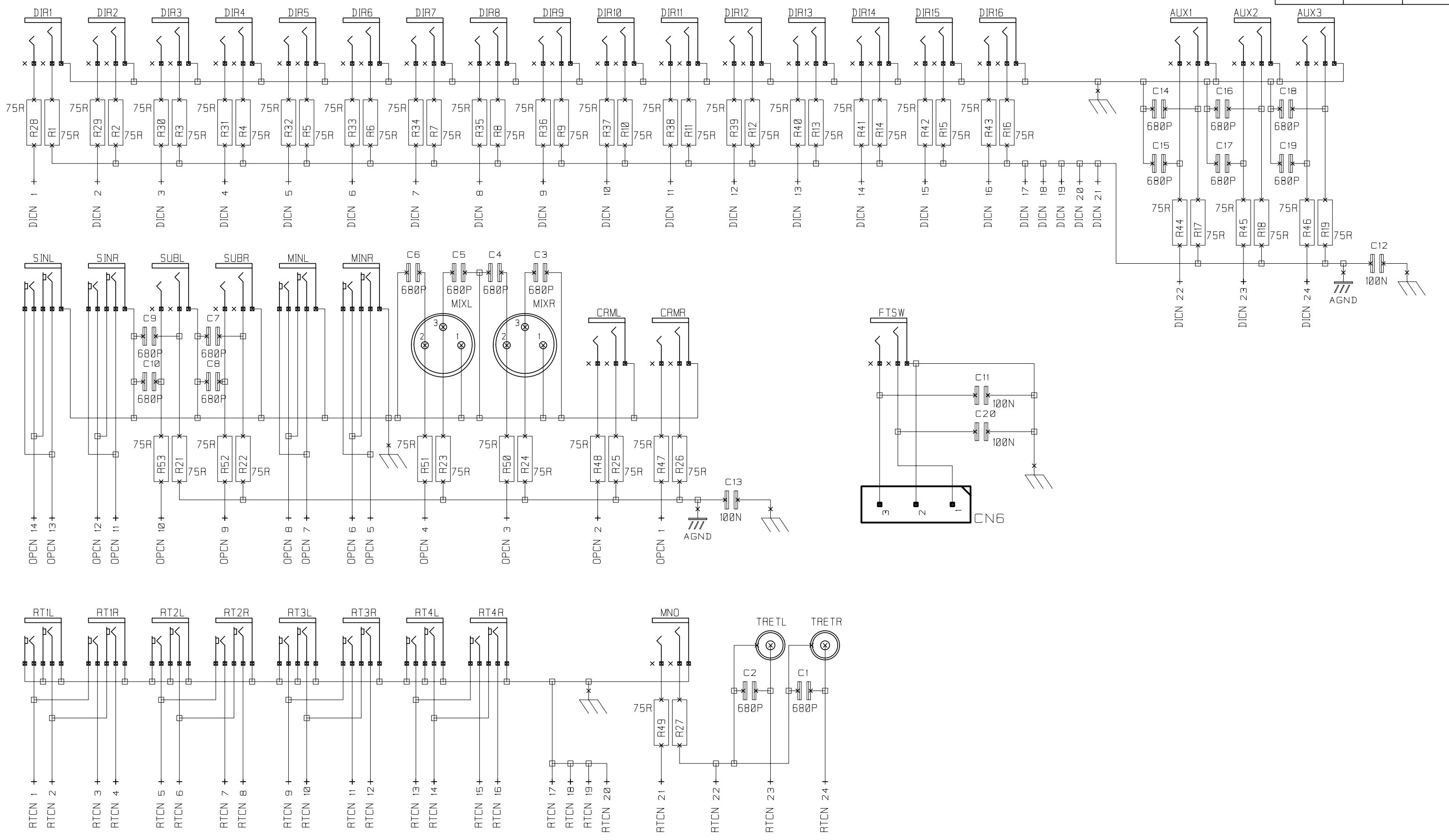
HARMAN INTERNATIONAL INDUSTRIES LTD. OWNS THE COPYRIGHT OF THIS DRAWING WHICH IS NOT TO BE COPIED, REPRODUCED OR DISCLOSED, IN PART OR WHOLE TO A THIRD PARTY WITHOUT PRIOR WRITTEN PERMISSION.

SOUNDCRAFT/STUDER
HARMAN INT. INDUSTRIES LTD.
CRANBORNE HOUSE,
CRANBORNE ROAD,
POTTERS BAR,
HERTS. EN6 3JN
ENGLAND UK
TEL: +44(1707) 665000
WWW.HARMANPRO.COM

NOTES:

DRN.	CN No.	INITIAL	DATE	ISSUE	TITLE	
	-----	GB	02-11-06	01A	SPIRIT FX16 Mk.2 MONO INPUT	
DATE	-----	PT	13-03-06	02A		
PROJECT CODE	EC0061	PT	12-10-07	03A		
					DRG NO. E0500A-03A	SHT. 7 OF 7

INITIAL	ISSUE	DATE
GHB	1	07-11-06
PST	2	14-03-07



NOTES

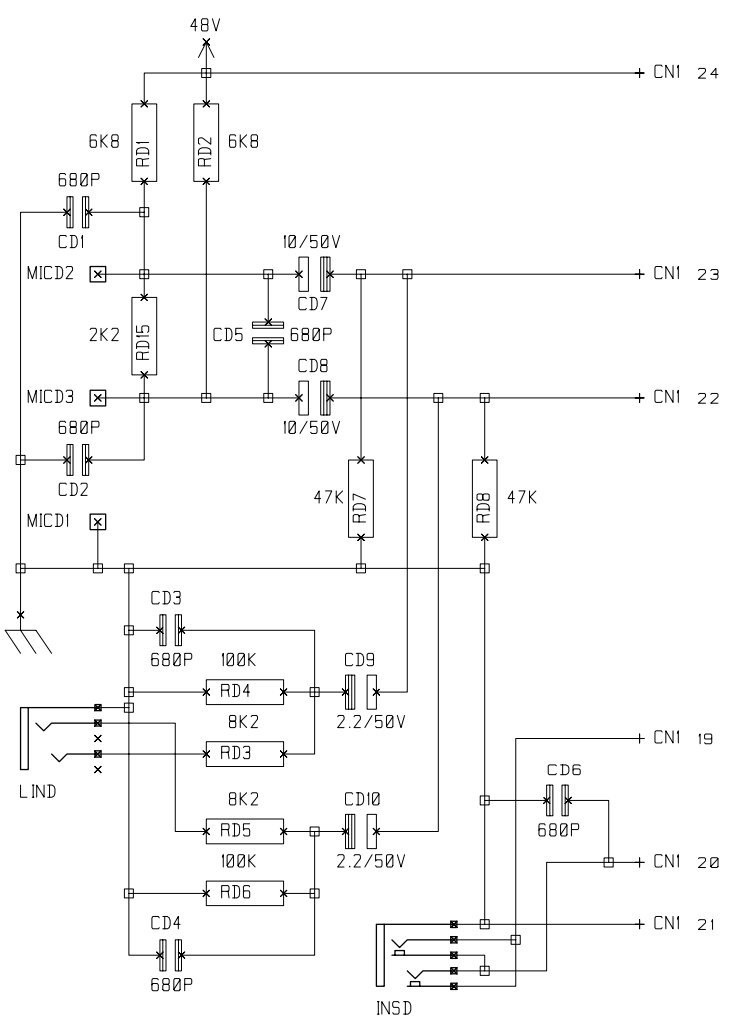
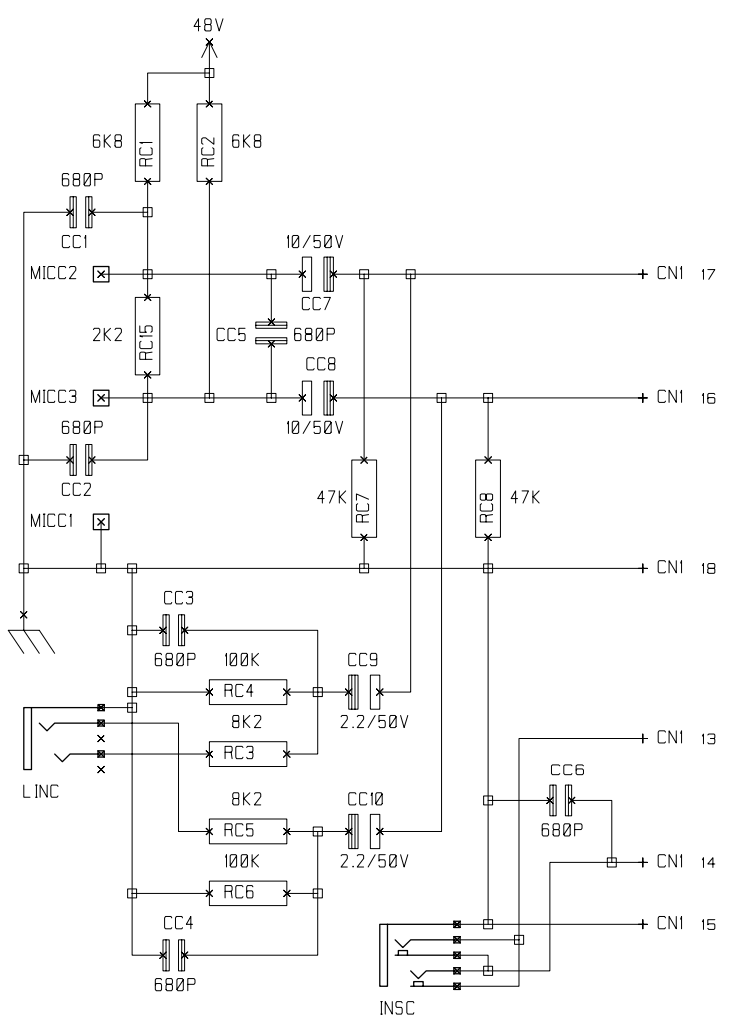
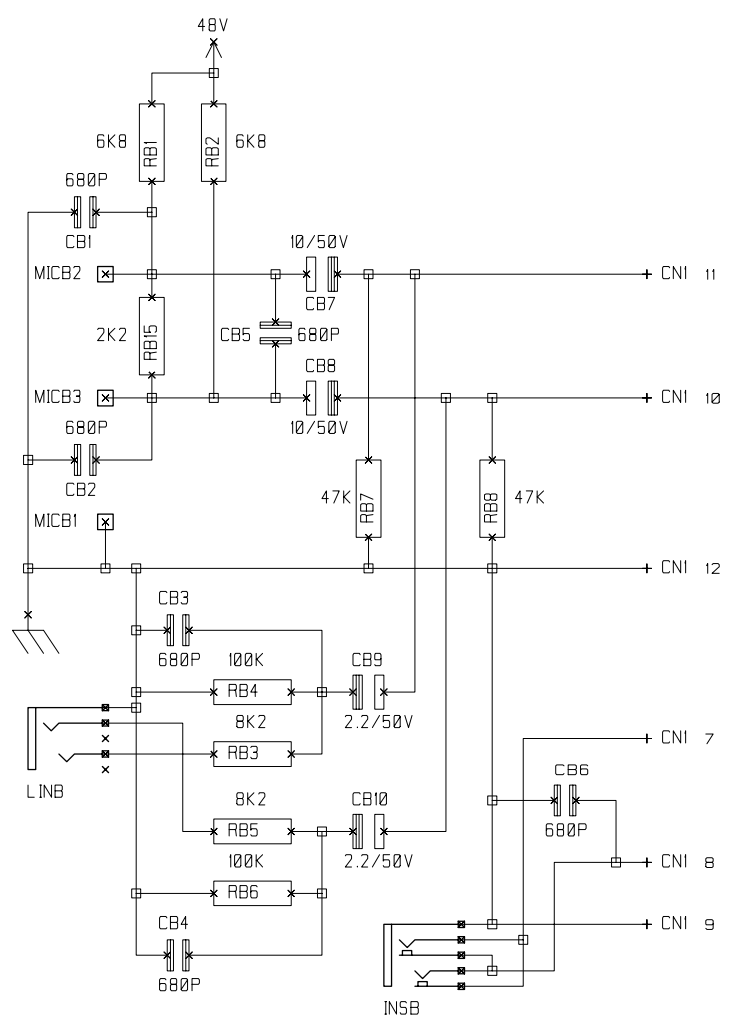
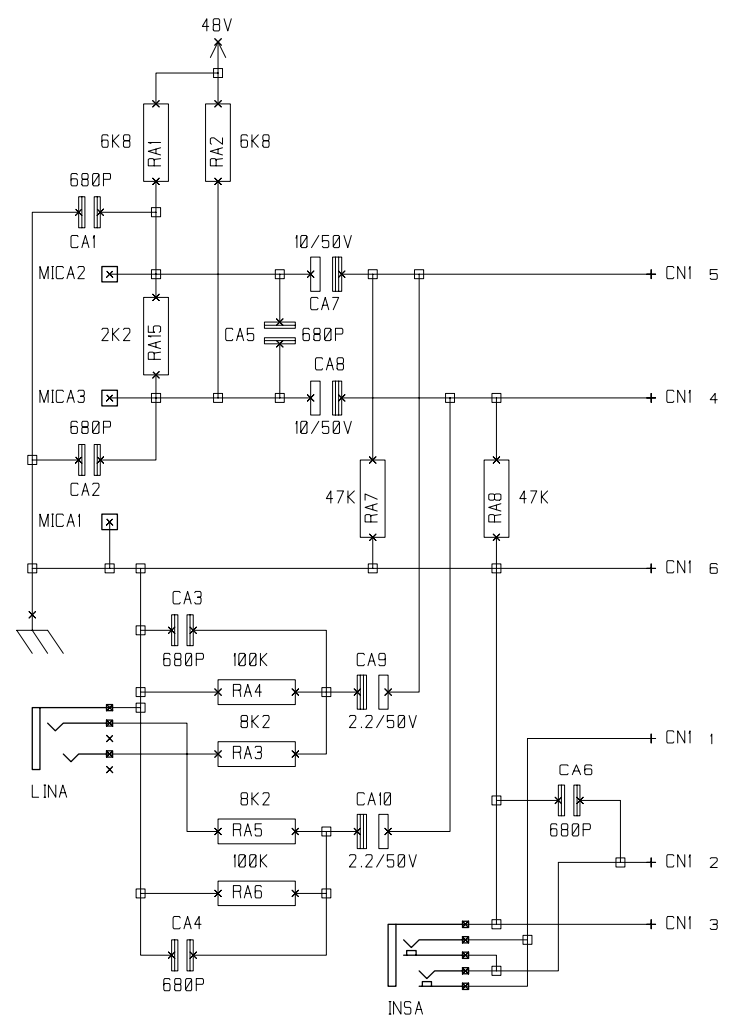
DRN. GHB

TITLE SPIRIT FX16 MKII
OUTPUT REARCON

DRG NO. ED0499B

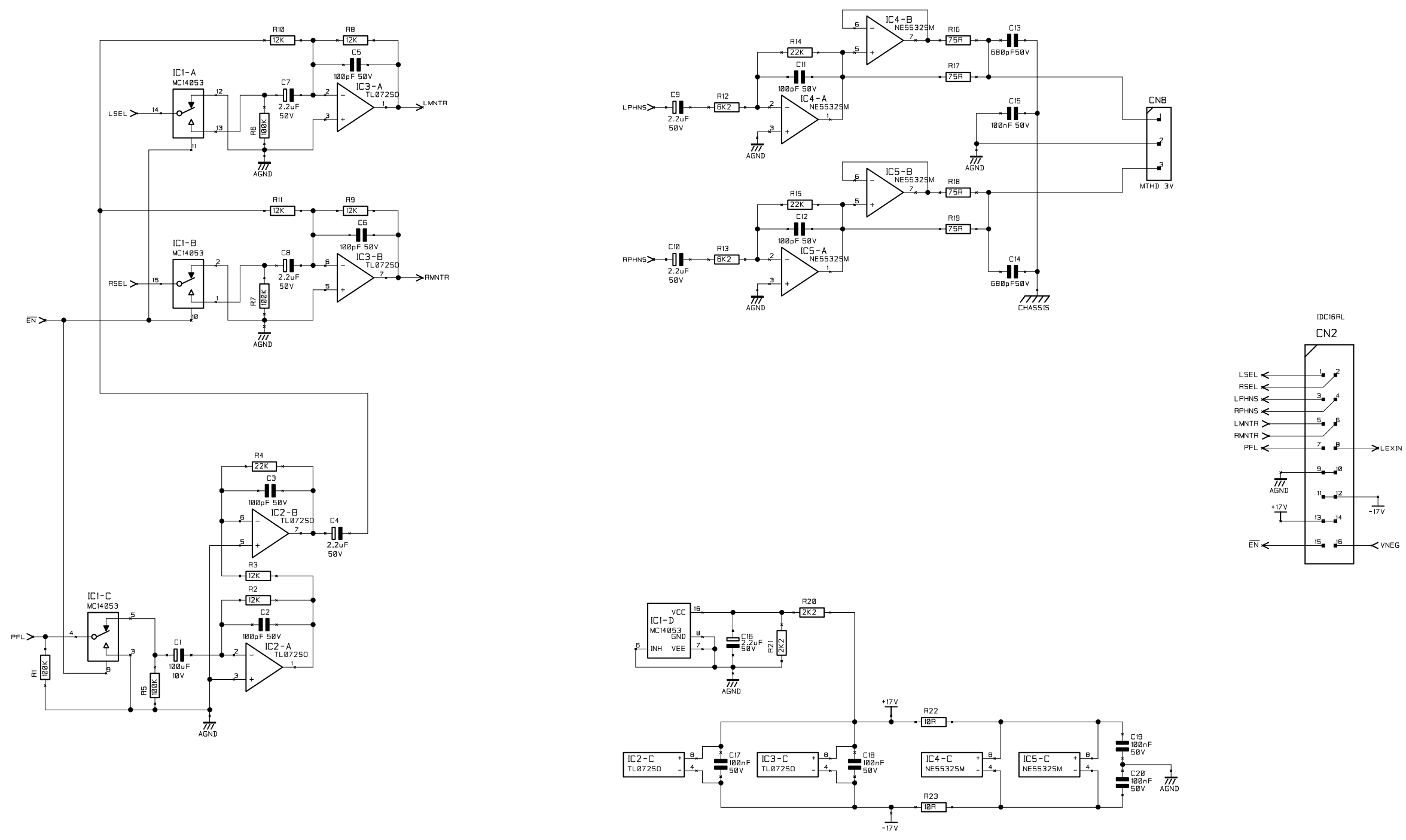
SHT. 2 OF 2

INITIAL	ISSUE	DATE
GHB	1	07-11-06
PST	2	14-03-07



NOTES

DRN. GHB	TITLE SPIRIT FX16 MKII REARCON BOARD
	DRG NO. ED0499A



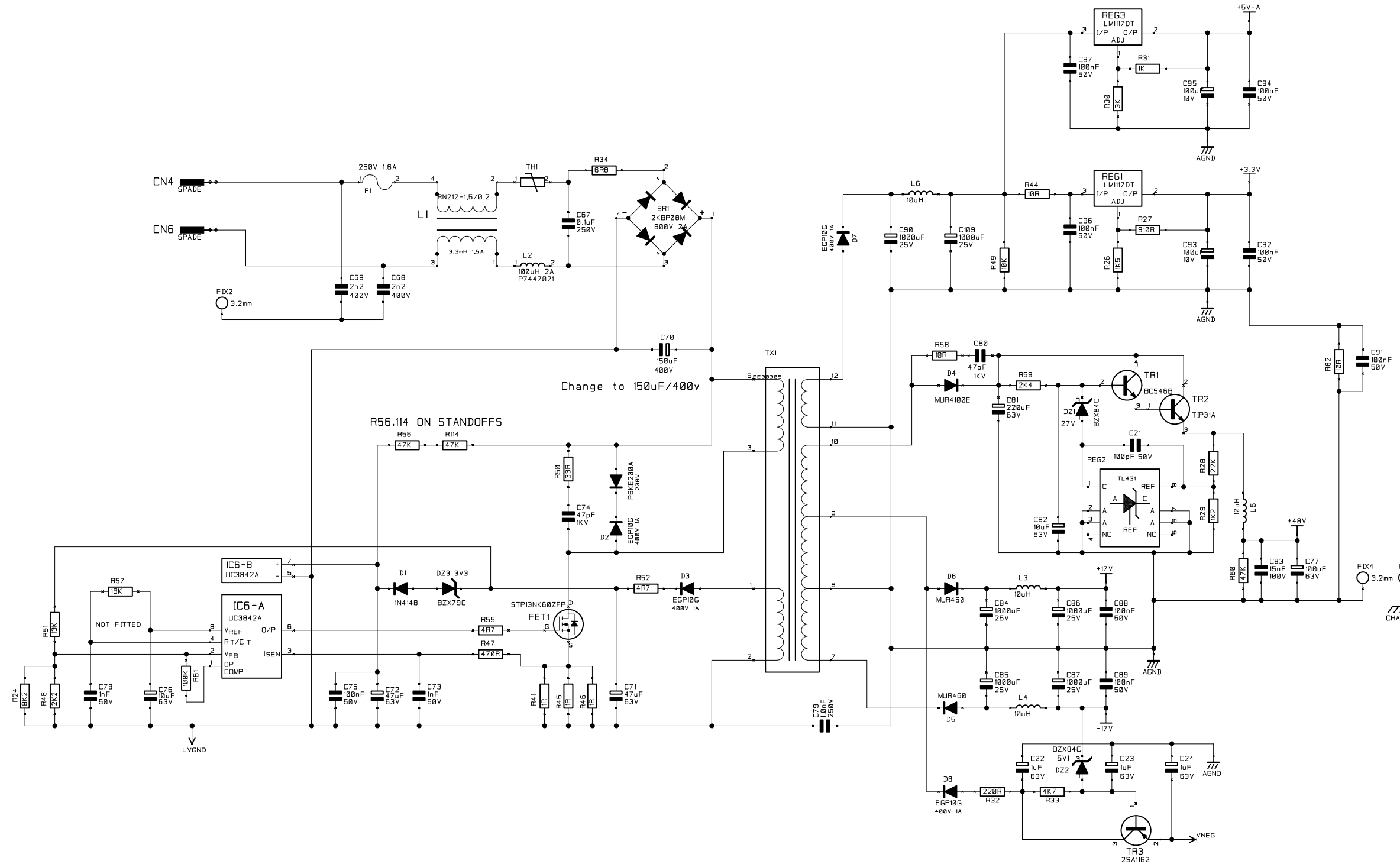
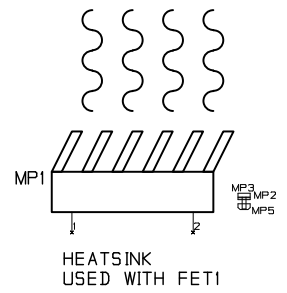
SOUNDCRAFT OWN THE COPYRIGHT OF THIS DRAWING WHICH IS NOT TO BE COPIED, REPRODUCED OR DISCLOSED, IN PART OR WHOLE TO A THIRD PARTY WITHOUT PRIOR WRITTEN PERMISSION.

SOUNDCRAFT
 HARMAN INT. INDUSTRIES LTD.
 CRANBORNE HOUSE,
 CRANBORNE ROAD,
 POTTERS BAR,
 HERTS. EN6 3JN.
 TEL: 01707 665000
 FAX: 01707 660482

NOTES

DRN.	GHB	CN No.	----	INITIAL	GHB	DATE	14-11-06	ISSUE	01A
DATE	00-00-05		----		GHB		13-03-07		02A
					ML		26-03-07		02B
MASTER IF RED									

TITLE		FX16 Mk.2	
		FX/MON/PSU BOARD	
DRG NO.	E0498A-03	SHT. 1	OF 5



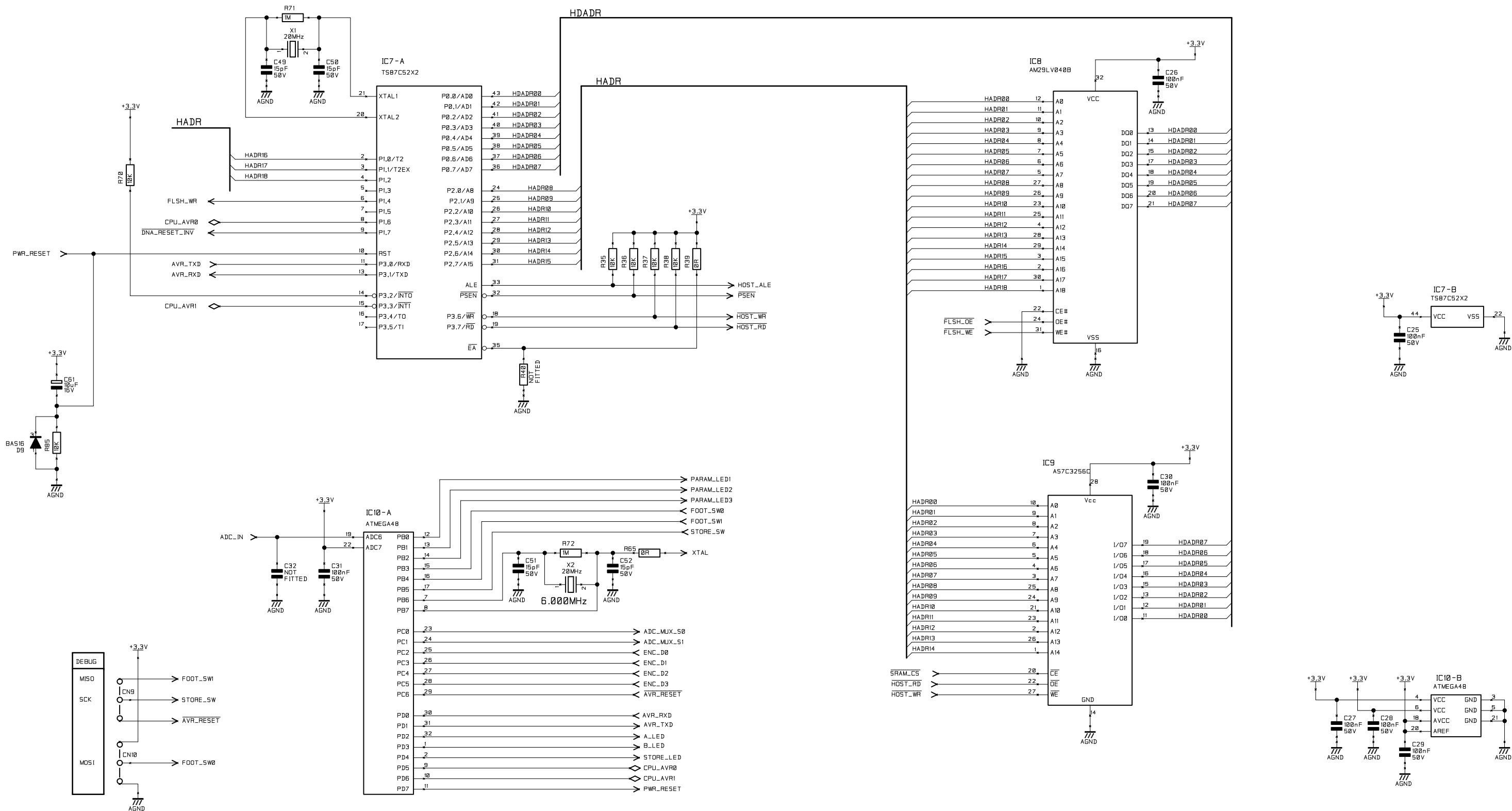
SOUNDCRAFT
HARMAN INT. INDUSTRIES LTD.
CRANBORNE HOUSE,
CRANBORNE ROAD,
POTTERS BAR,
HERTS. EN6 3JN.
TEL: 01707 665000
FAX: 01707 660482

NOTES

DRN.	GHB
DATE	00-00-05
MASTER IF RED	

CN No.	INITIAL	DATE	ISSUE
----	GHB	14-11-06	01A
----	GHB	13-03-07	02A
----	ML	26-03-07	02B

TITLE	FX16 Mk.2 FX/MON/PSU BOARD
DRG NO.	E0498A-03
SHT. 2 OF 5	



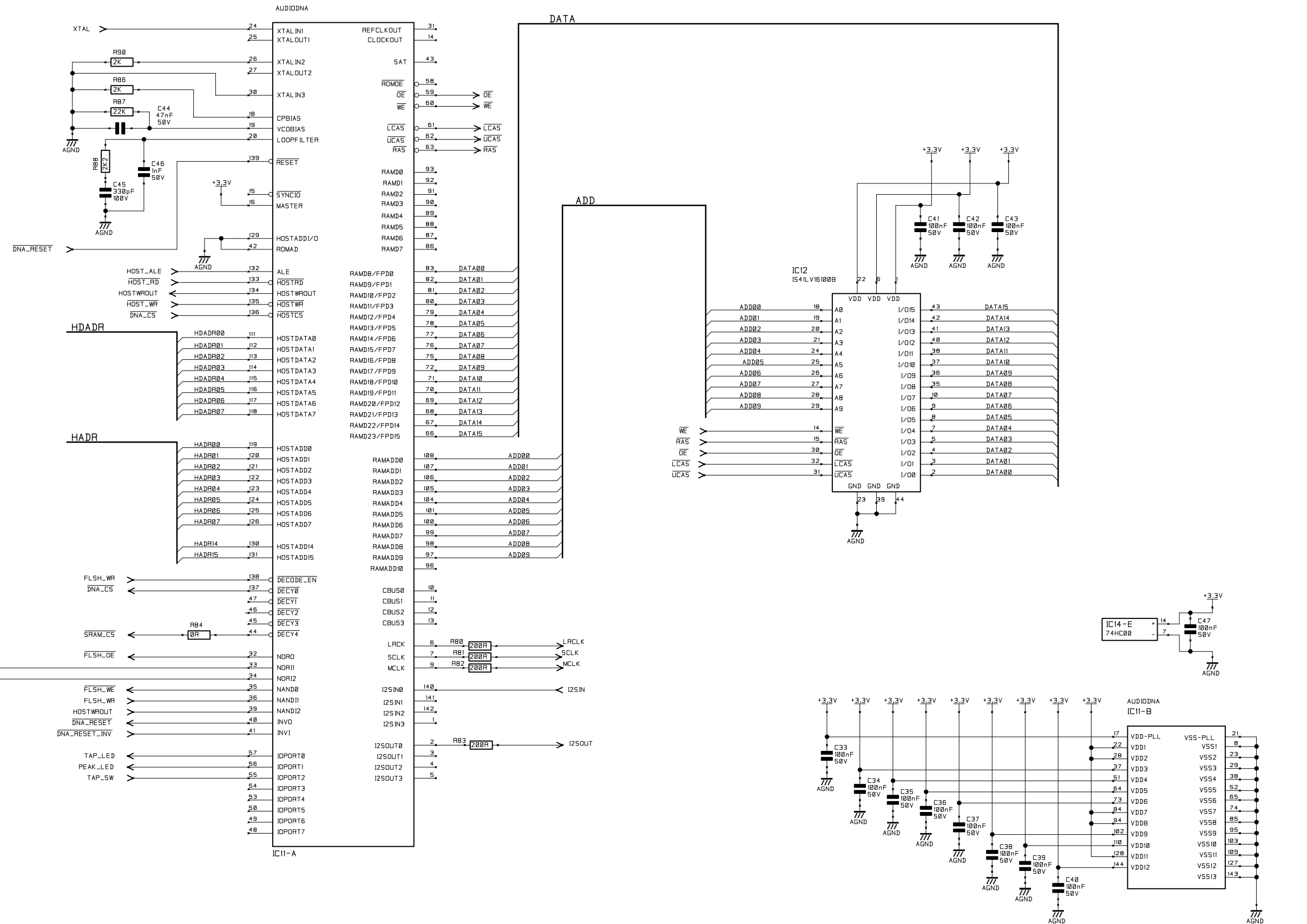
SOUNDCRAFT OWN THE COPYRIGHT OF THIS DRAWING WHICH IS NOT TO BE COPIED, REPRODUCED OR DISCLOSED, IN PART OR WHOLE TO A THIRD PARTY WITHOUT PRIOR WRITTEN PERMISSION.

SOUNDCRAFT
 HARMAN INT. INDUSTRIES LTD.
 CRANBORNE HOUSE,
 CRANBORNE ROAD,
 POTTERS BAR,
 HERTS. EN6 3JN.
 TEL: 01707 665000
 FAX: 01707 660482

NOTES

DRN.	GHB	CN No.	----	INITIAL	GHB	DATE	14-11-06	ISSUE	01A
DATE	00-00-05		----		GHB		13-03-07		02A
MASTER IF RED			----		ML		26-03-07		02B

TITLE		FX16 Mk.2 FX/MON/PSU BOARD	
DRG NO.	E0498A-03	SHT.	3 OF 5

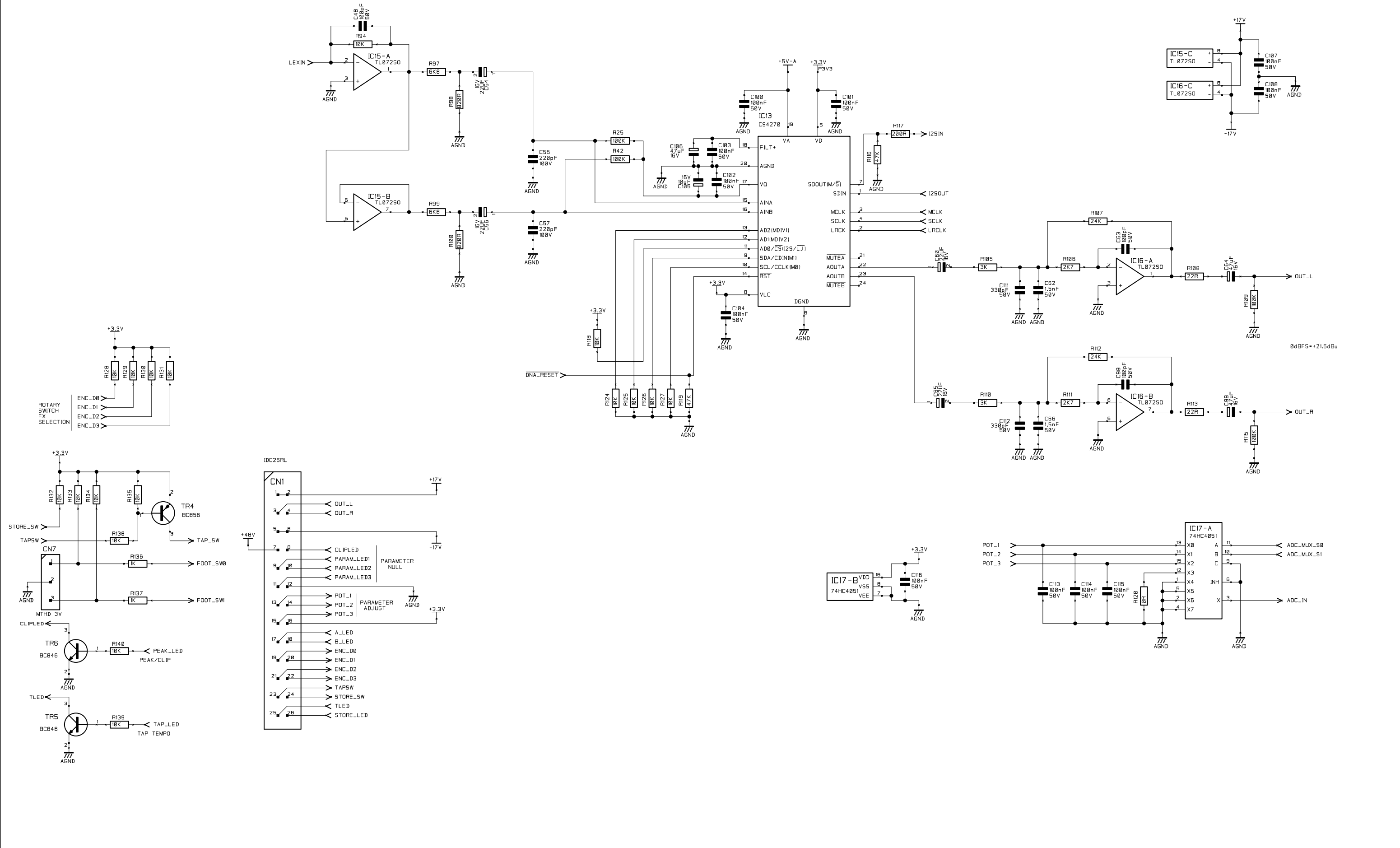


SOUNDCRAFT OWN THE COPYRIGHT OF THIS DRAWING WHICH IS NOT TO BE COPIED, REPRODUCED OR DISCLOSED, IN PART OR WHOLE TO A THIRD PARTY WITHOUT PRIOR WRITTEN PERMISSION.

SOUNDCRAFT
 HARMAN INT. INDUSTRIES LTD.
 CRANBORNE HOUSE,
 CRANBORNE ROAD,
 POTTERS BAR,
 HERTS. EN6 3JN.
 TEL: 01707 665000
 FAX: 01707 660482

NOTES

DRN.	GHB	CN No.	----	INITIAL	GHB	DATE	14-11-06	ISSUE	01A	TITLE FX16 Mk.2 FX/MON/PSU BOARD
DATE	00-00-05		----		ML		26-03-07		02B	
MASTER IF RED										
DRG NO. E0498A-03										SHT. 4 OF 5



SOUNDCRAFT OWN THE COPYRIGHT OF THIS DRAWING WHICH IS NOT TO BE COPIED, REPRODUCED OR DISCLOSED, IN PART OR WHOLE TO A THIRD PARTY WITHOUT PRIOR WRITTEN PERMISSION.

SOUNDCRAFT
 HARMAN INT. INDUSTRIES LTD.
 CRANBORNE HOUSE,
 CRANBORNE ROAD,
 POTTERS BAR,
 HERTS. EN6 3JN.
 TEL: 01707 665000
 FAX: 01707 660482

NOTES

DRN.	GHB
DATE	00-00-05
MASTER IF RED	

CN No.	INITIAL	DATE	ISSUE
----	GHB	14-11-06	01A
----	GHB	13-03-07	02A
----	ML	26-03-07	02B

TITLE	
FX16 Mk.2 FX/MON/PSU BOARD	
DRG NO.	E0498A-03
SHT. 5 OF 5	