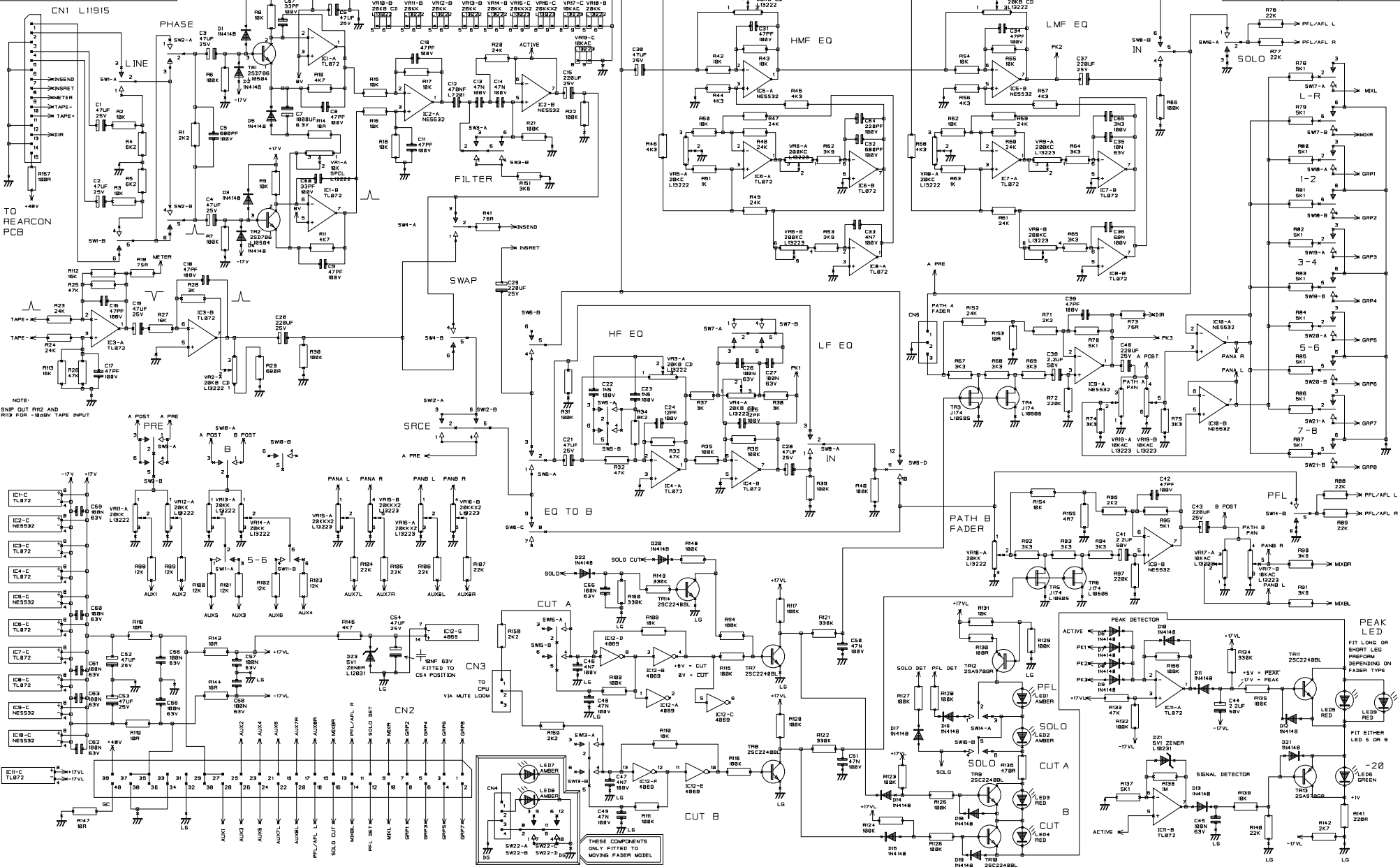


INITIAL	ISSUE	DATE
DCB	6	08/10/97



NOTE:
SNIP OUT R12 AND R13 FOR -18VDB TAPE INPUT

NOTES

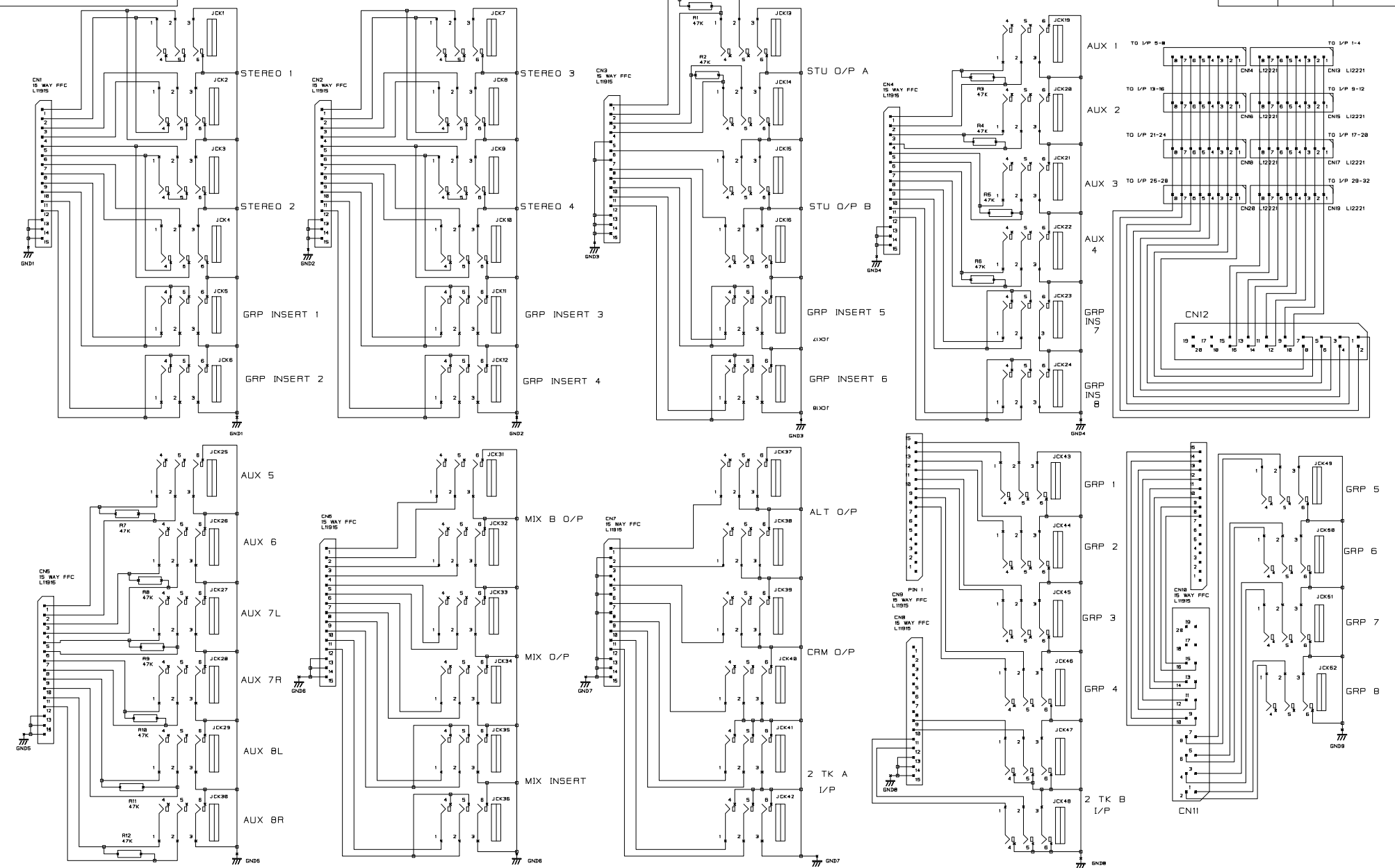
DRN. MDG

TITLE
GHOST
INPUT SCHEMATICS

DRG NO. ED 3620

DRG NO. ED 3621

INITIAL	ISSUE	DATE
DCB	3.01	19/03/97



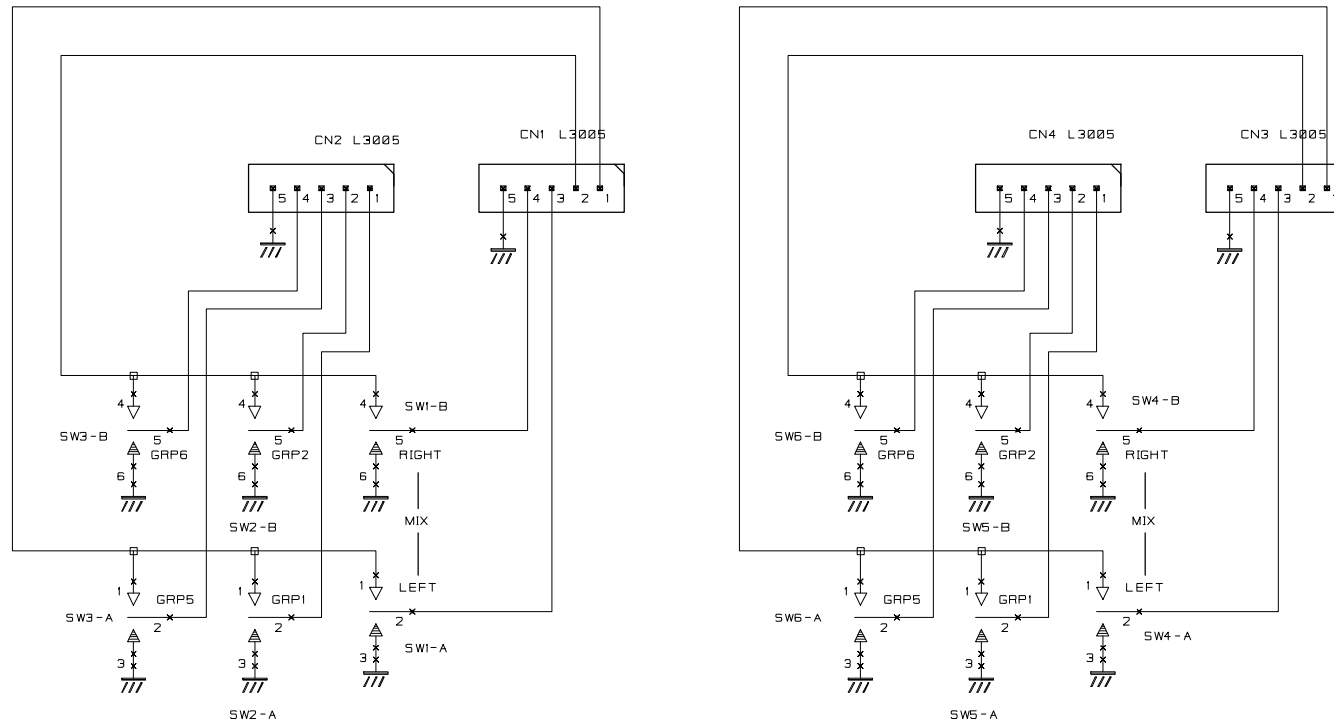
NOTES

DRN.	MDG

TITLE GHOST MASTER
SECTION REARCON
PCB PANEL CIRCUIT

DRG NO. ED 3621

THIS BOARD FIXES TO SC3625
TWO PCBs PER CONSOLE



NOTES

DRN
MDG

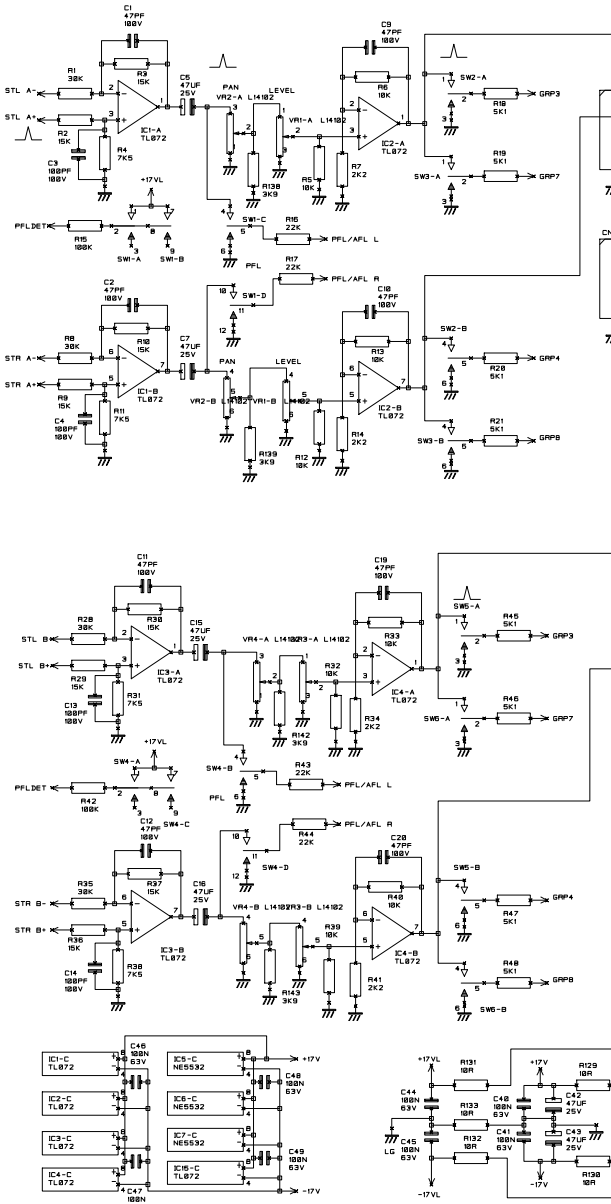
TITLE GHOST MASTER
SUB PCB 1

DRG NO. ED 3623

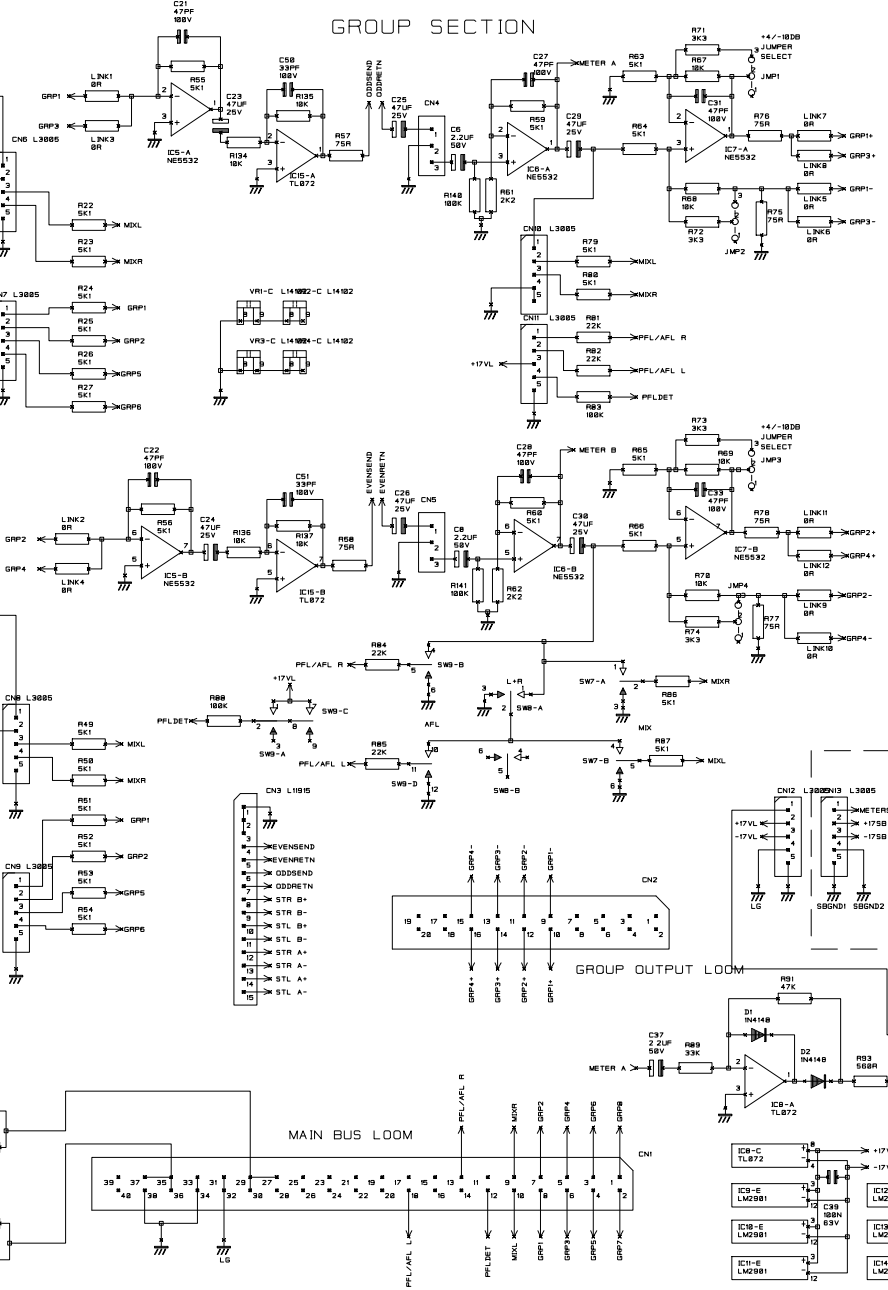
SHT. 1 OF 1

INITIAL	ISSUE	DATE
RS	4:01	9/10/97

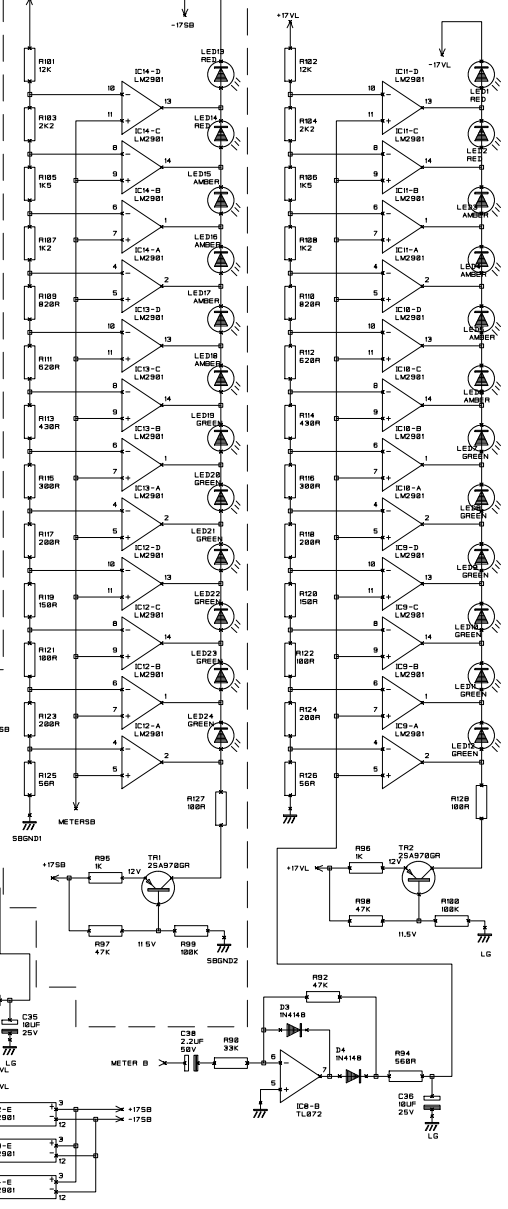
STEREO INPUTS



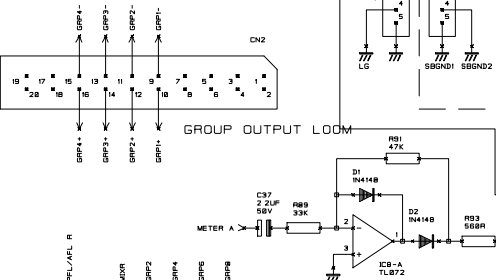
GROUP SECTION



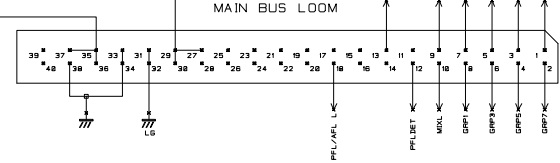
METER SUB BOARD



GROUP OUTPUT LOOP



MAIN BUS LOOP

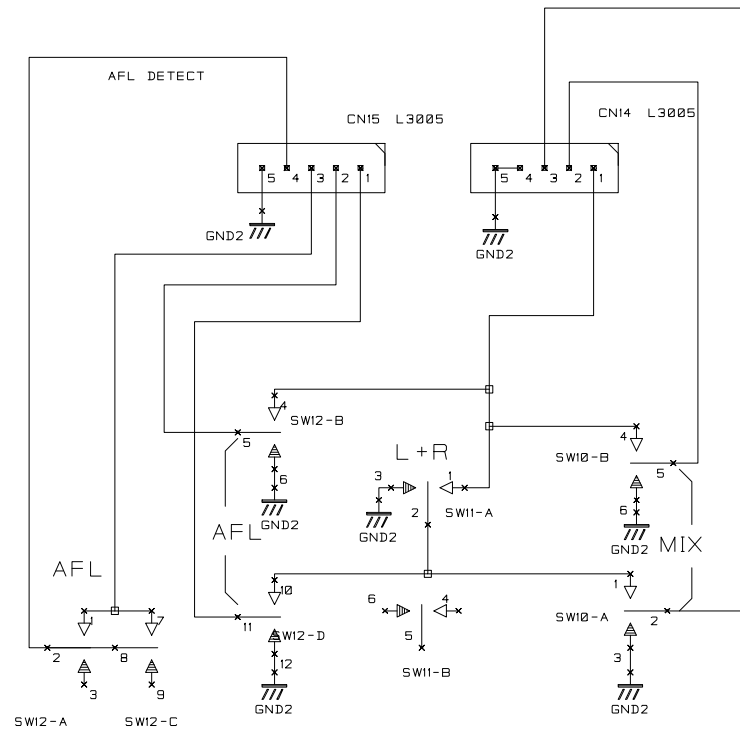


NOTES

DRN. MDG

TITLE GHOST STEREO/GROUP CIRCUIT

DRG NO. ED 3625

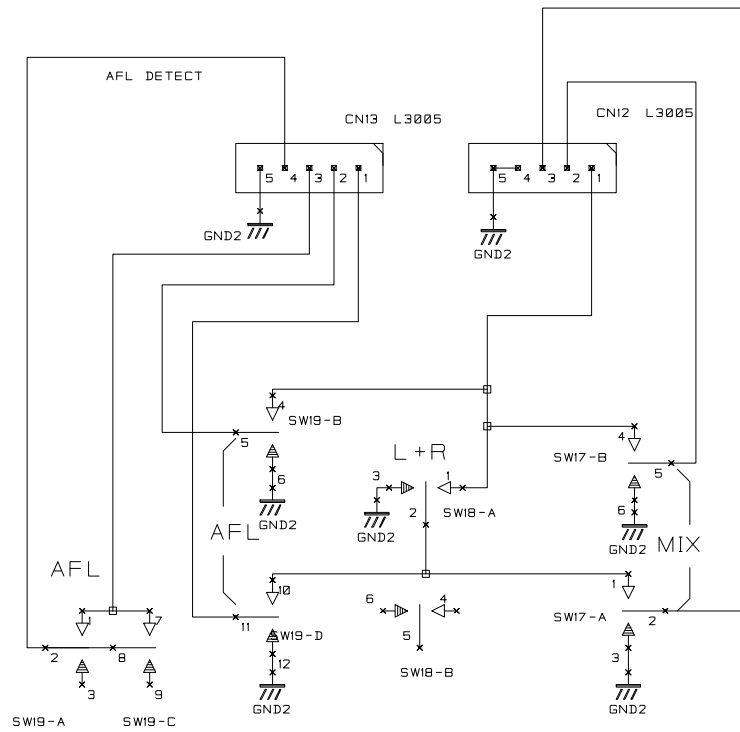


NOTES

DRN. MDG

TITLE GHOST MASTER
SUB PCB 1
GROUP ROUTING

DRG NO. ED 3625



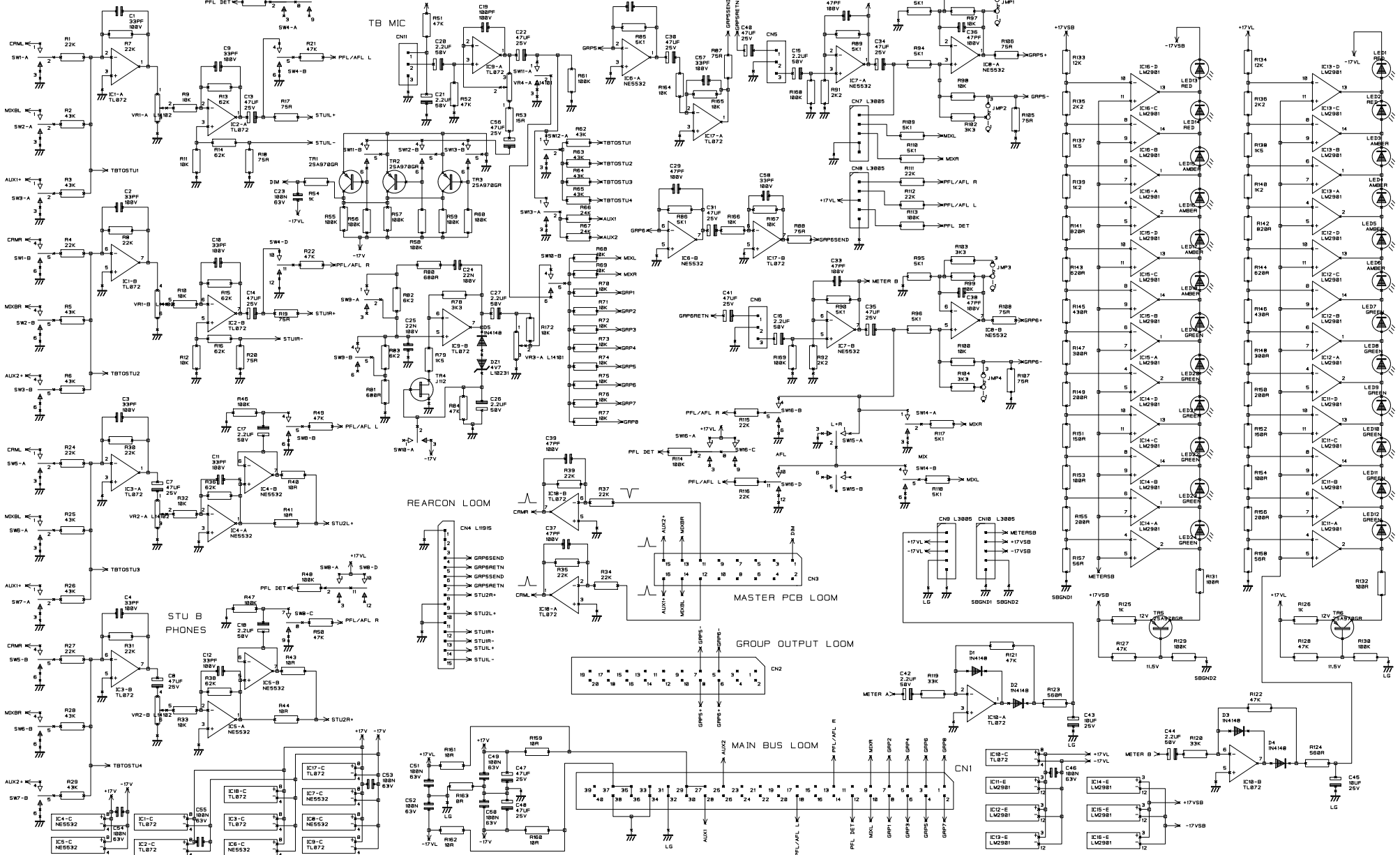
NOTES

DRN. MDG

TITLE GHOST MASTER
SUB PCB 1
GROUP ROUTING

DRG NO. ED 3626

INITIAL	ISSUE	DATE
MDG	4	10-9-96

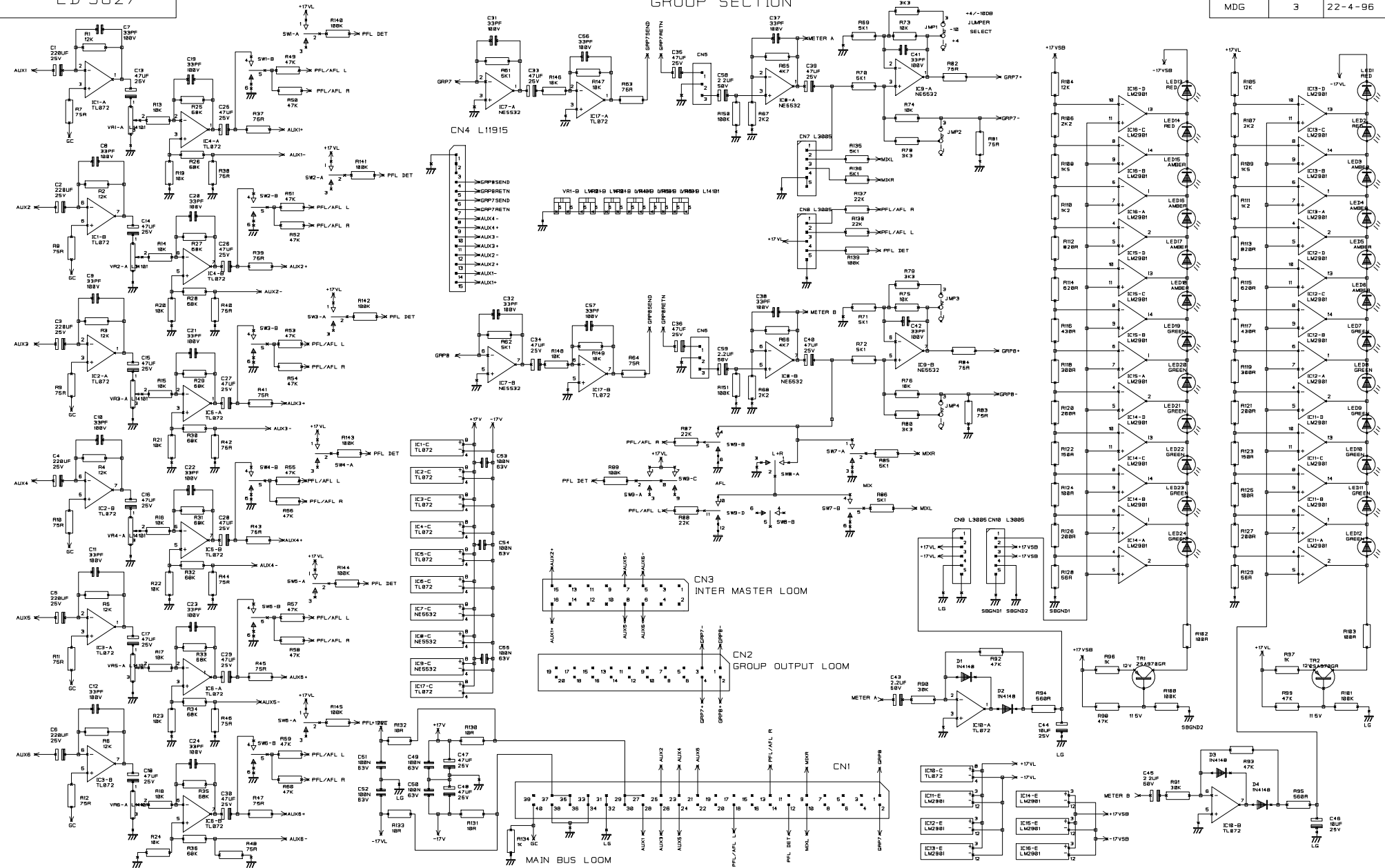


NOTES

DRN.	MDG	TITLE	GHOST STUDIO/OSC PCB
		DRG NO.	ED 3626

GROUP SECTION

INITIAL	ISSUE	DATE
MDG	3	22-4-96



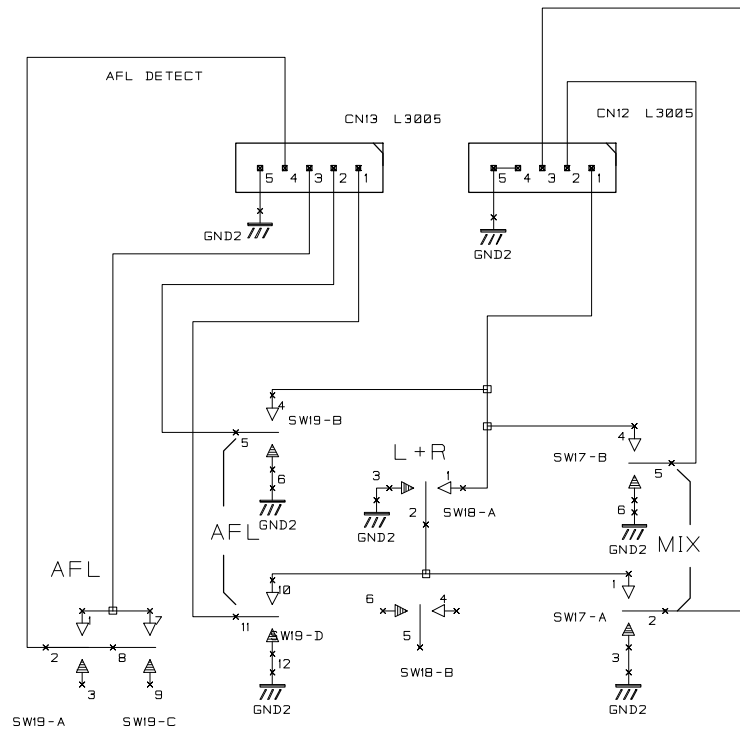
NOTES

DRN.

MDG

TITLE
GHOST
MAIN AUX
CIRCUIT

DRG NO.
ED 3627



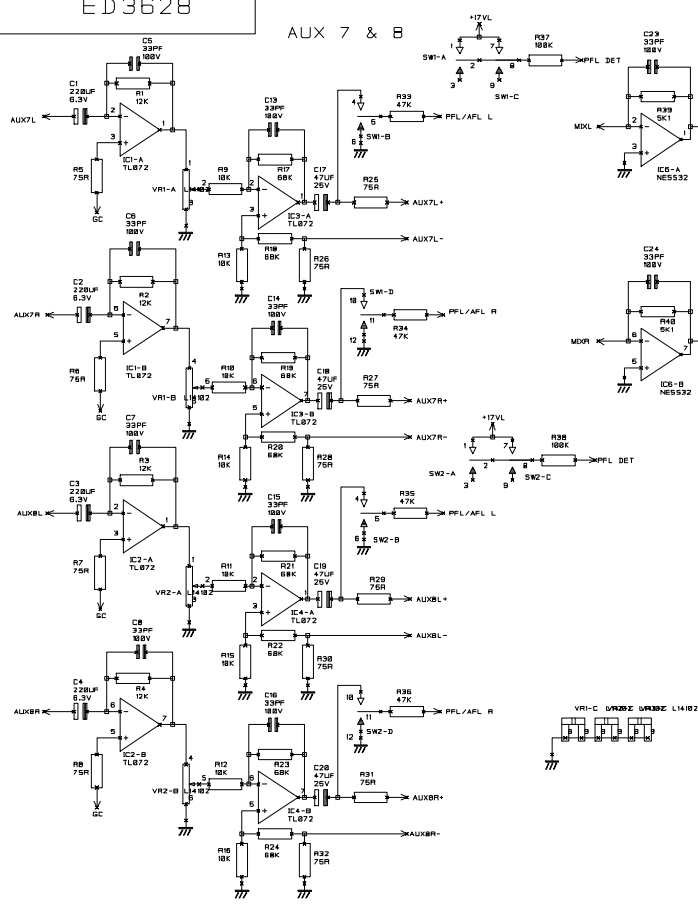
NOTES

DRN. MDG

TITLE GHOST MAIN AUX
SUB PCB
GROUP ROUTING

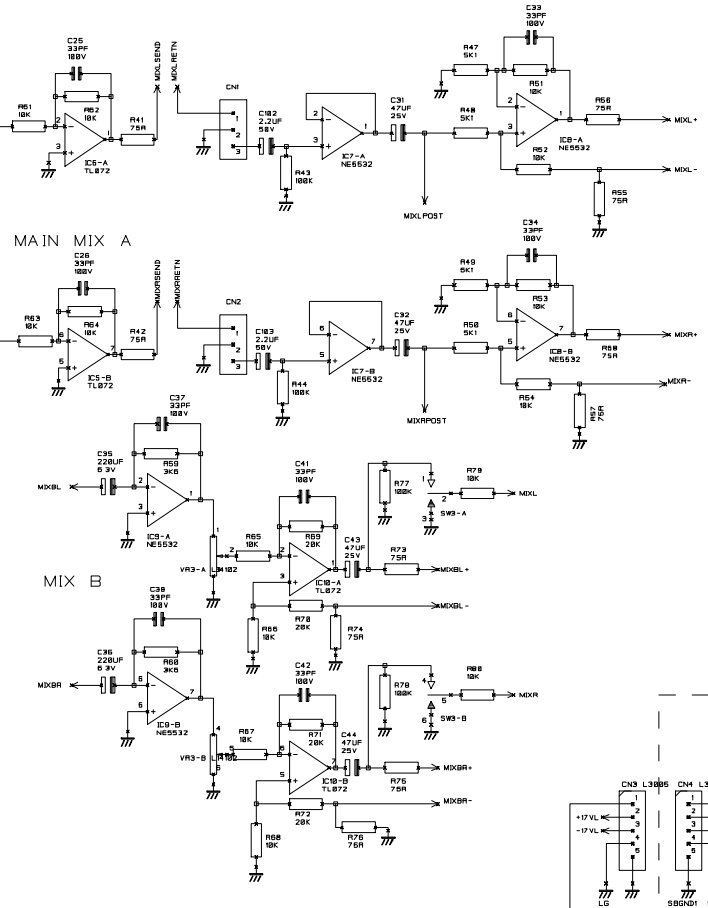
DRG NO. ED 3627

AUX 7 & 8

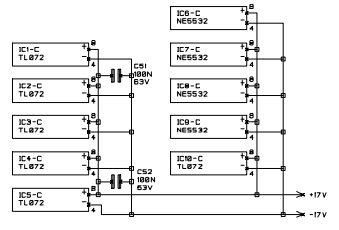
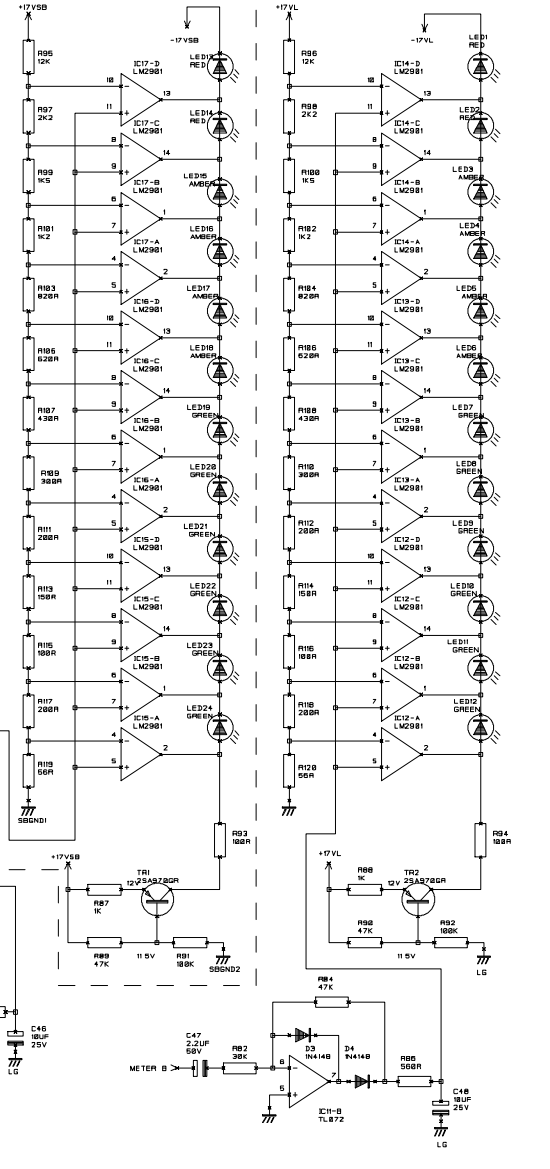


MAIN MIX A

MIX B



SC3628-Y METER SUB PCB



NOTES

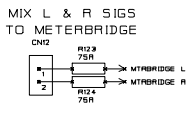
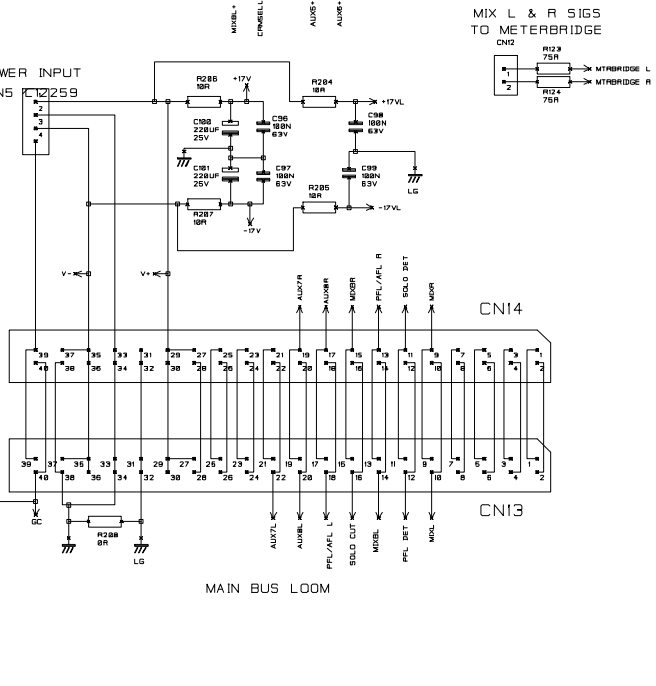
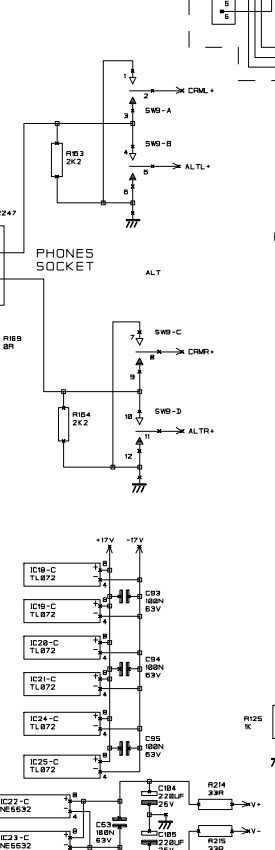
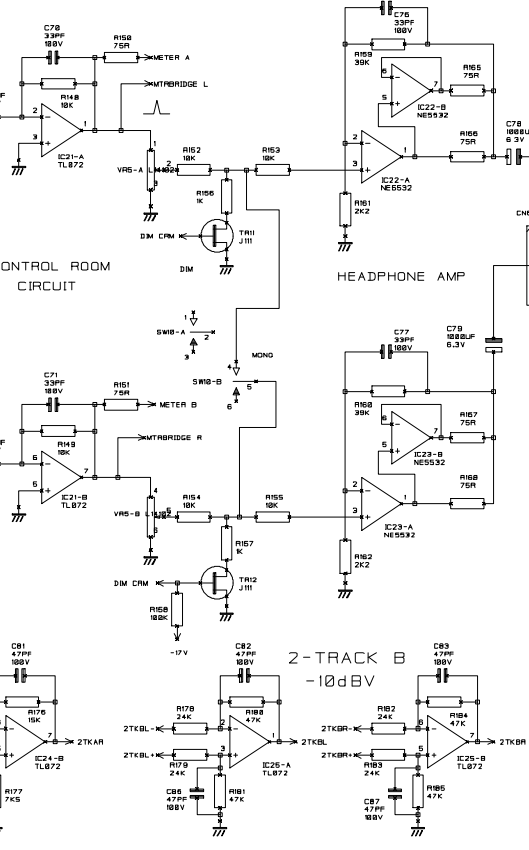
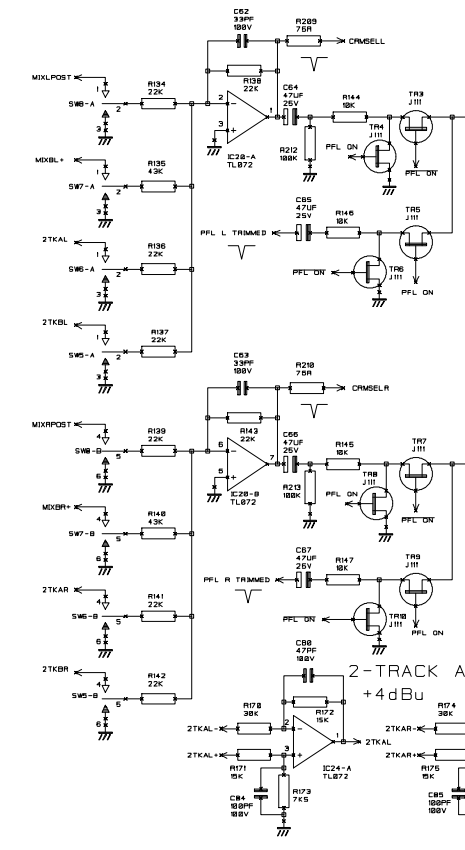
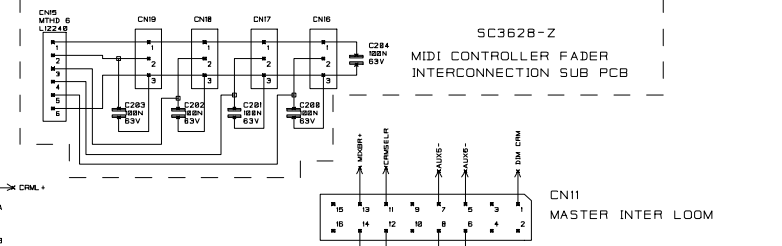
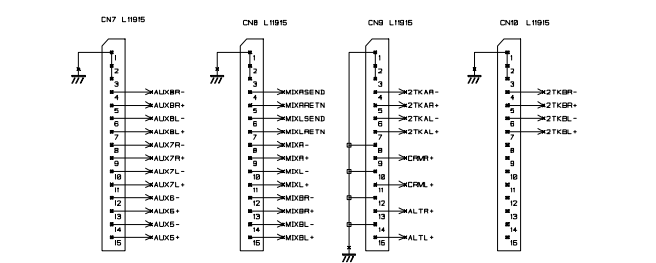
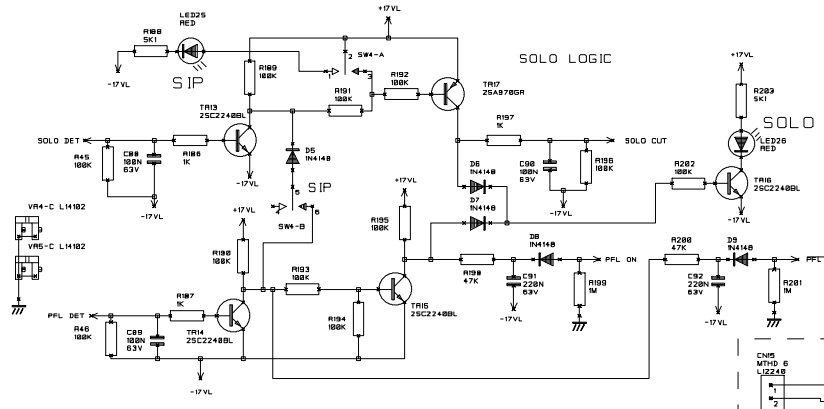
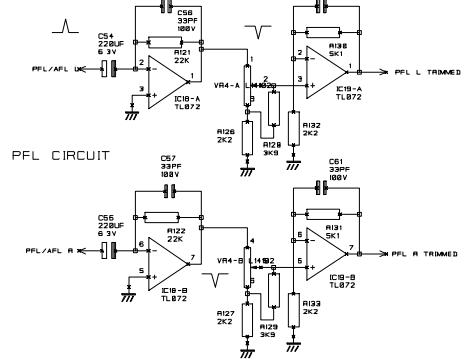
DRN.

TITLE GHOST MASTER CRM CIRCUIT

DRG NO. ED3628

DRG NO. ED 3628

INITIAL	ISSUE	DATE
DCB	4.2	19/03/97

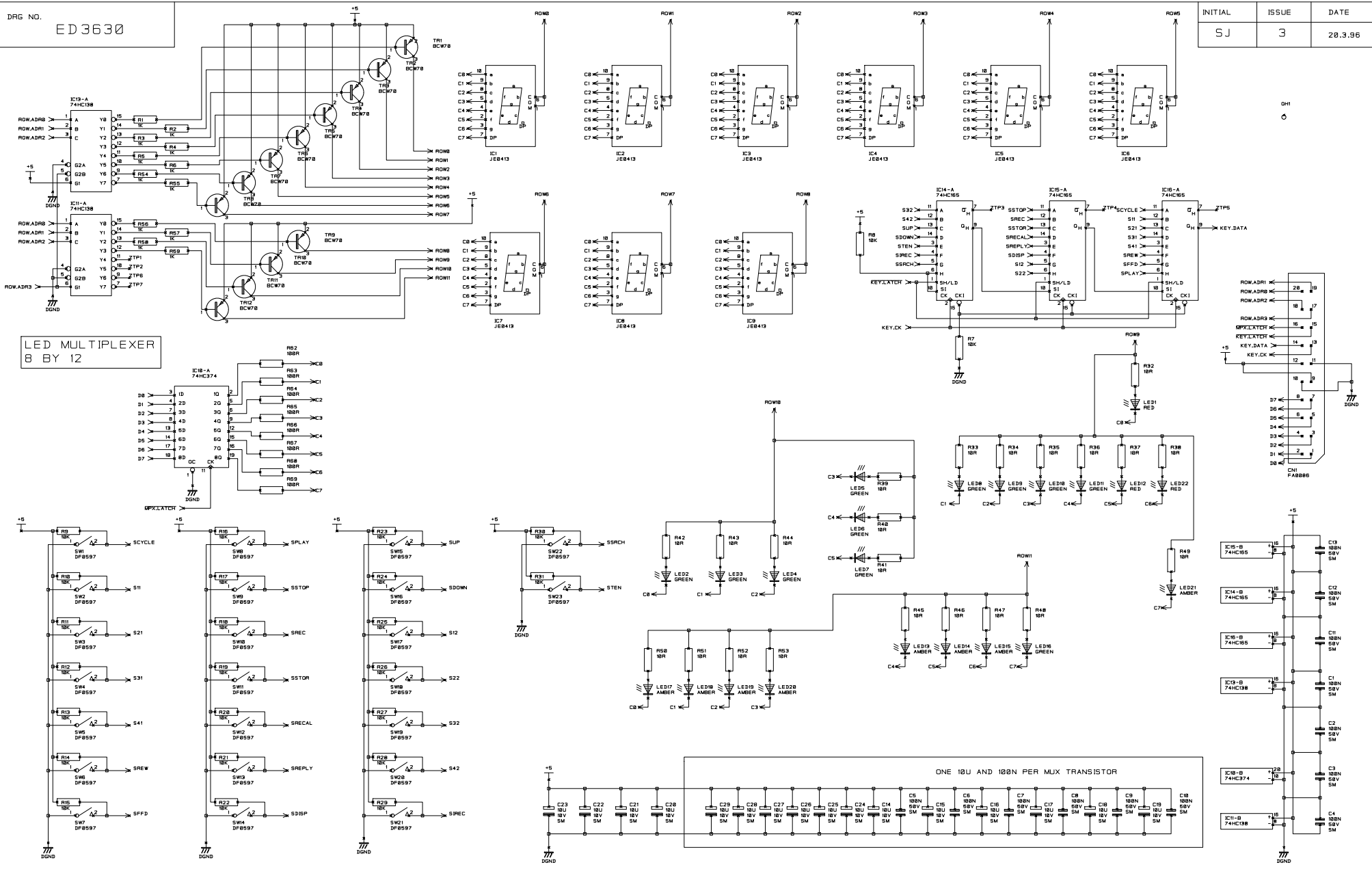


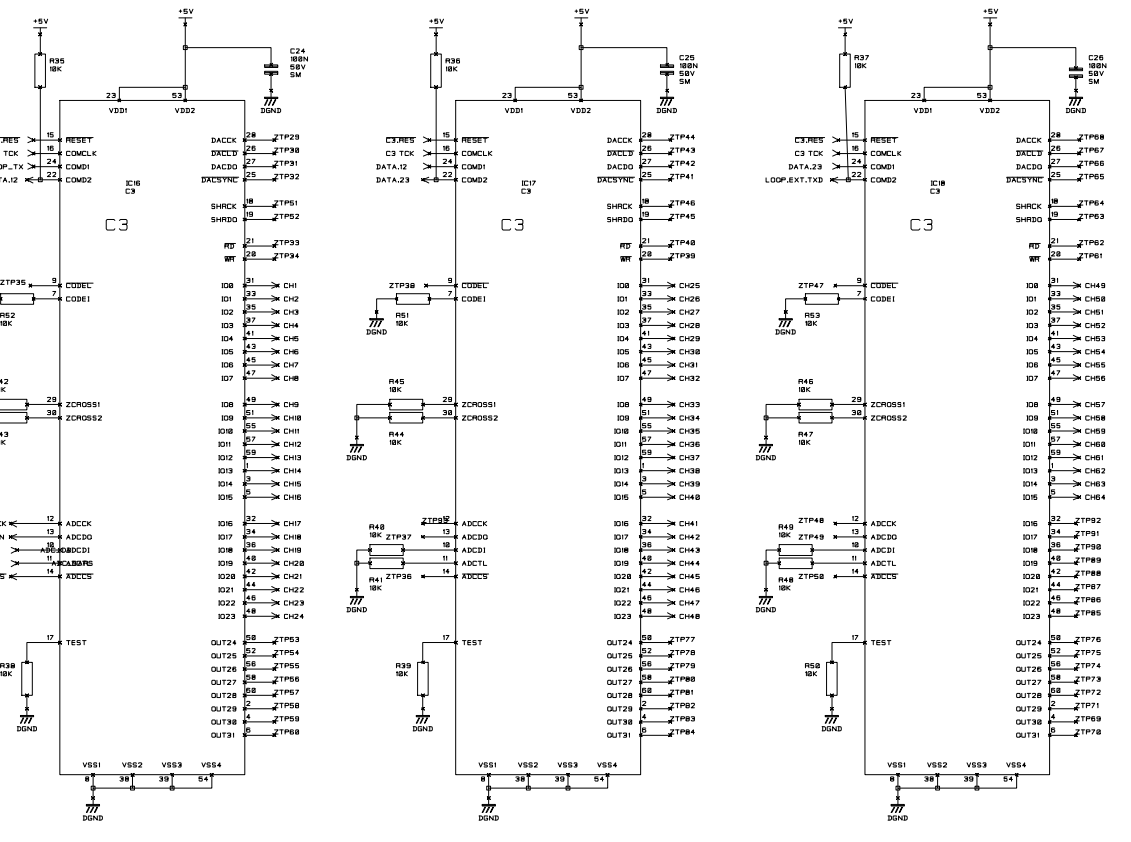
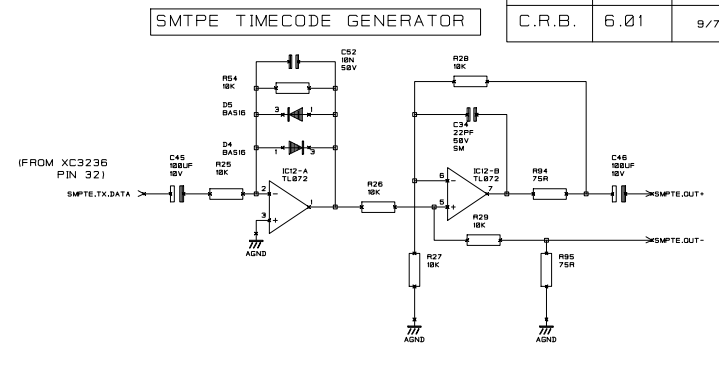
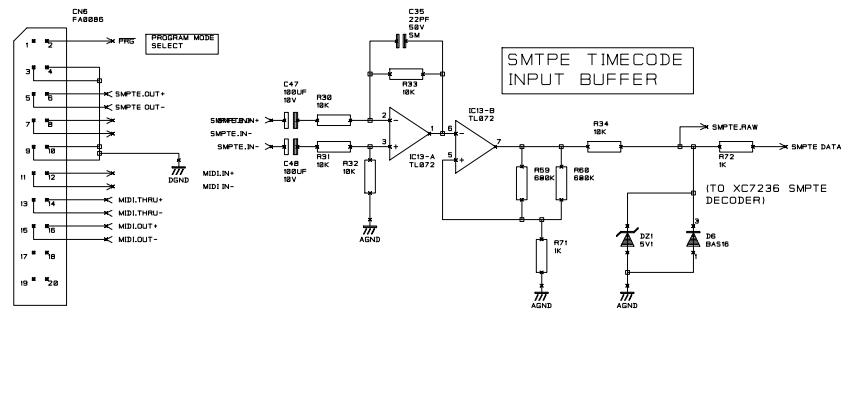
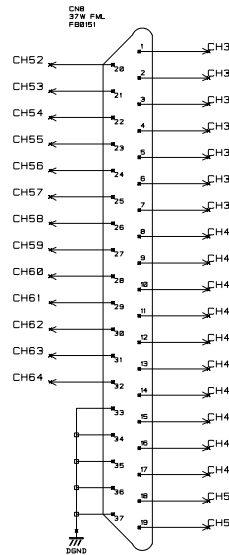
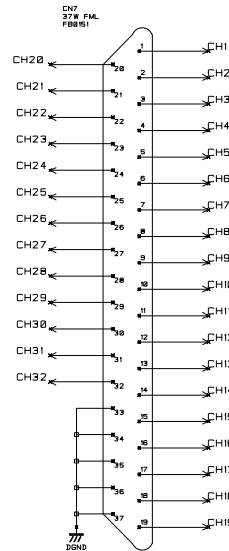
NOTES

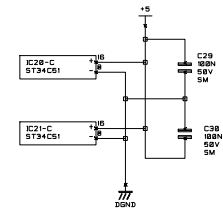
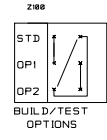
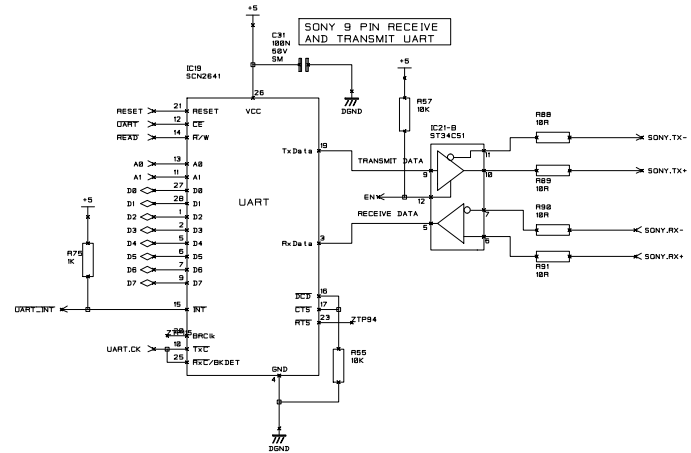
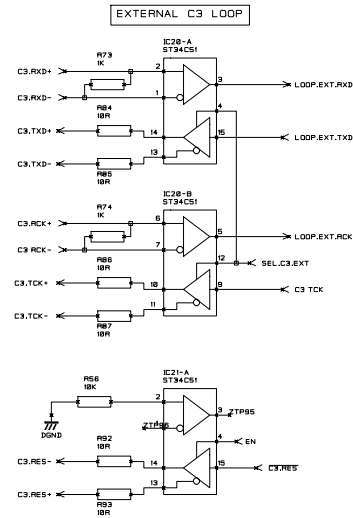
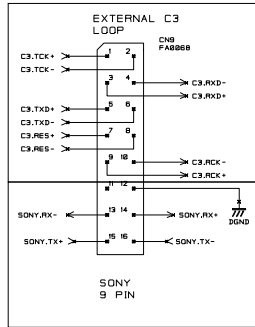
DRN. MDG

TITLE
GHOST
MASTER CRM
CIRCUIT

DRG NO. ED 3628





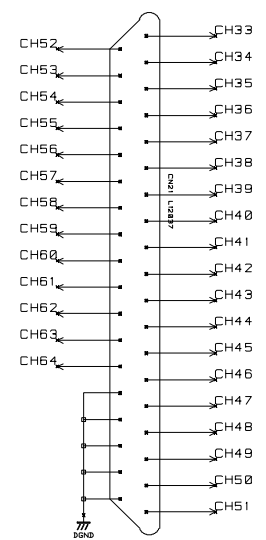
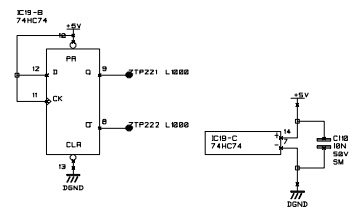
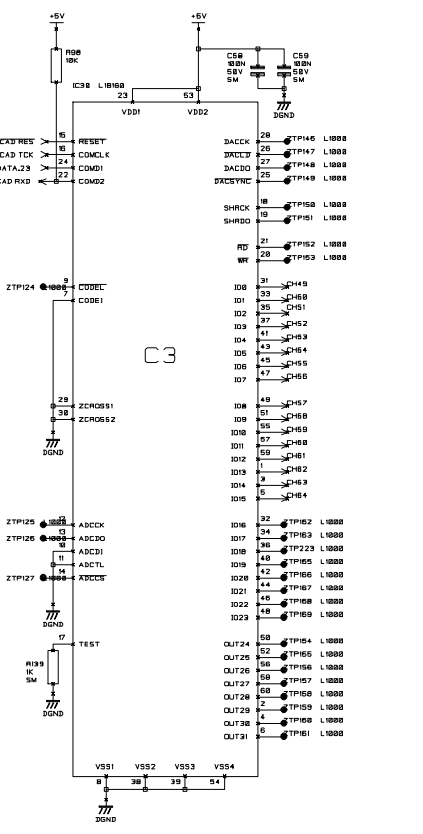
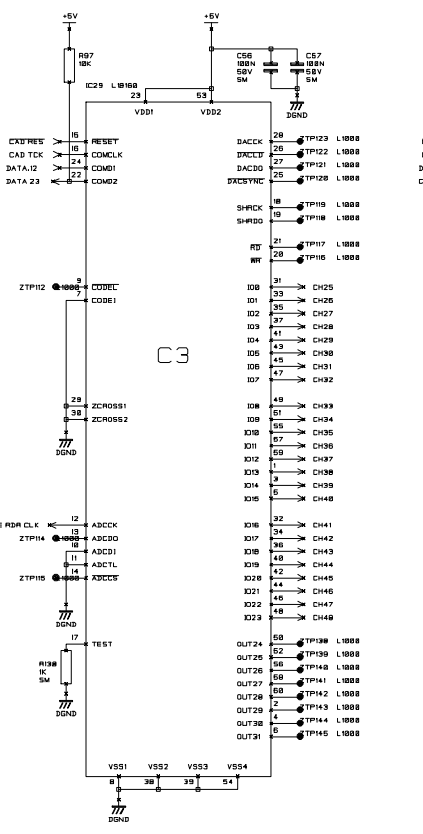
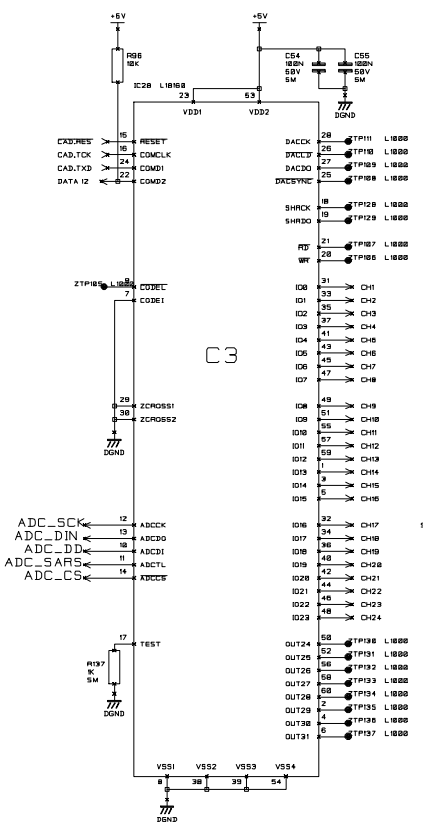
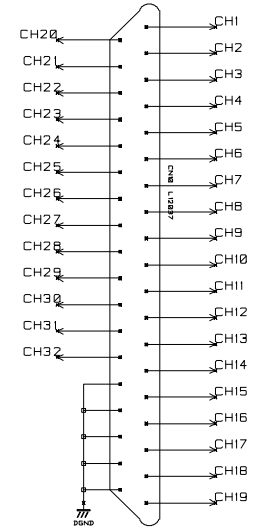
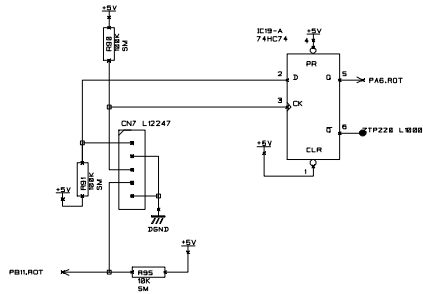
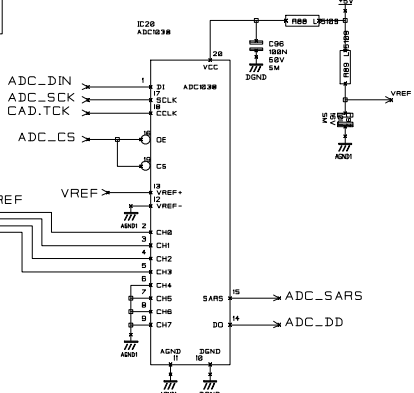


NOTES

DRN. SJ

TITLE
GHOST CPU/
C3 BOARD

DRG NO.
ED3631C



NOTES

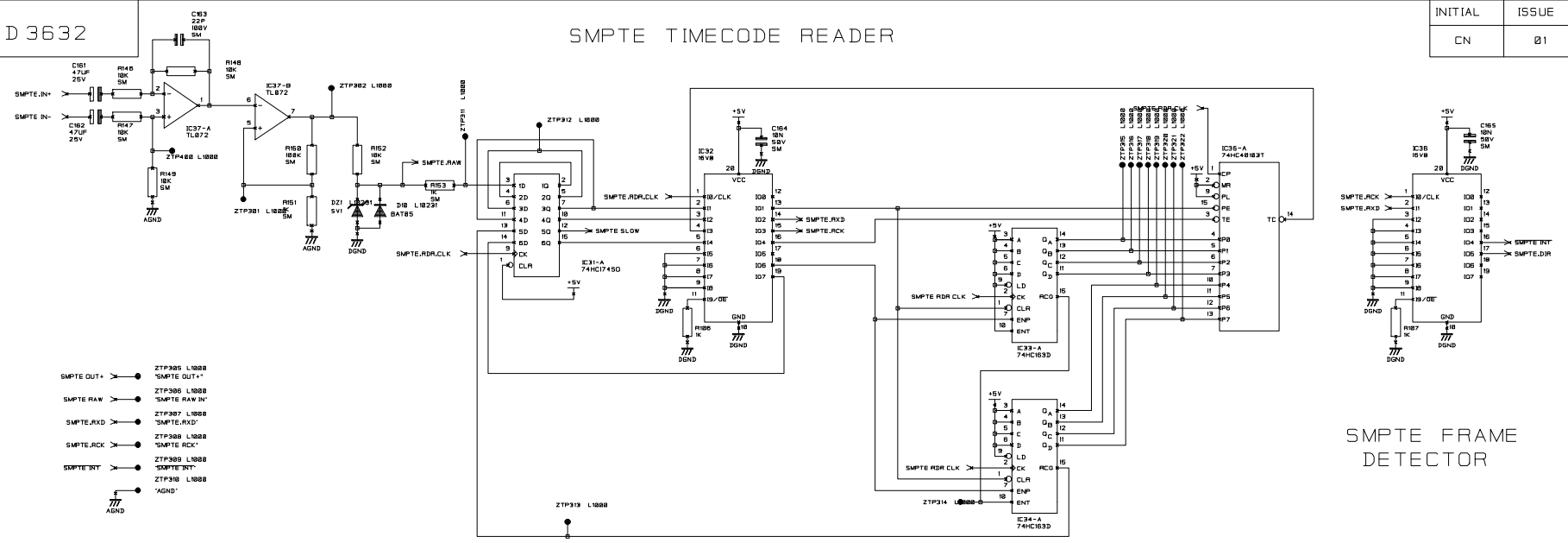
DRN. CN

TITLE
GHOST CPU
MUTES/ADC

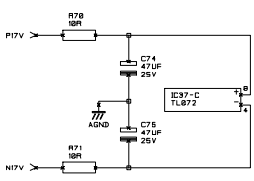
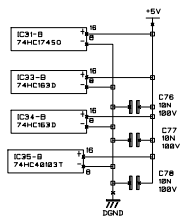
DRG NO.
ED3632

SMPT E TIMECODE READER

INITIAL	ISSUE	DATE
CN	01	27/11/95



- SMPT E OUT+ → ZTP385 L1088
- SMPT E RAW IN → ZTP386 L1088
- SMPT E RAW → ZTP387 L1088
- SMPT E RCK → ZTP388 L1088
- SMPT E INT → ZTP389 L1088
- AGND → ZTP390 L1088

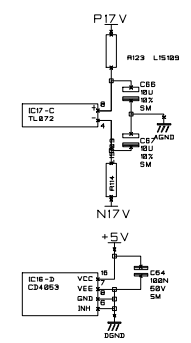
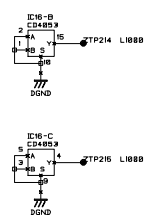
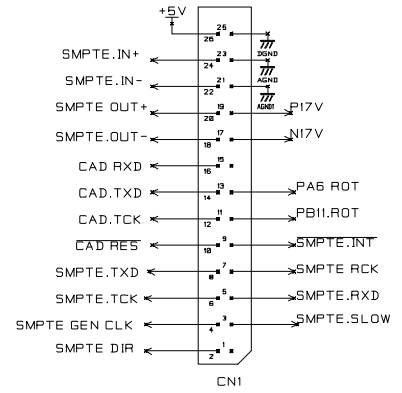
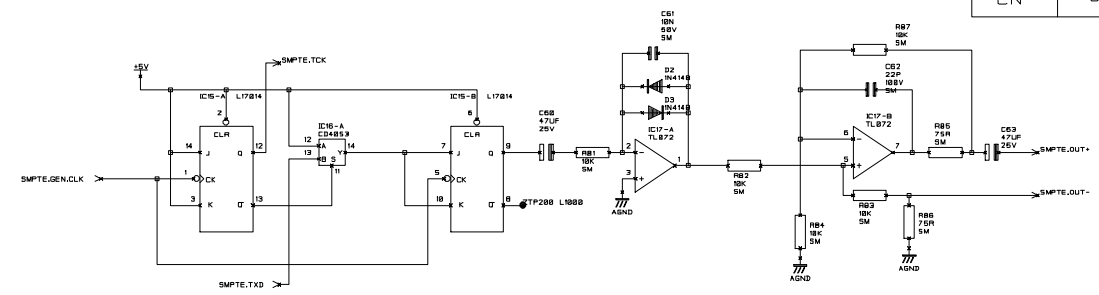


NOTES

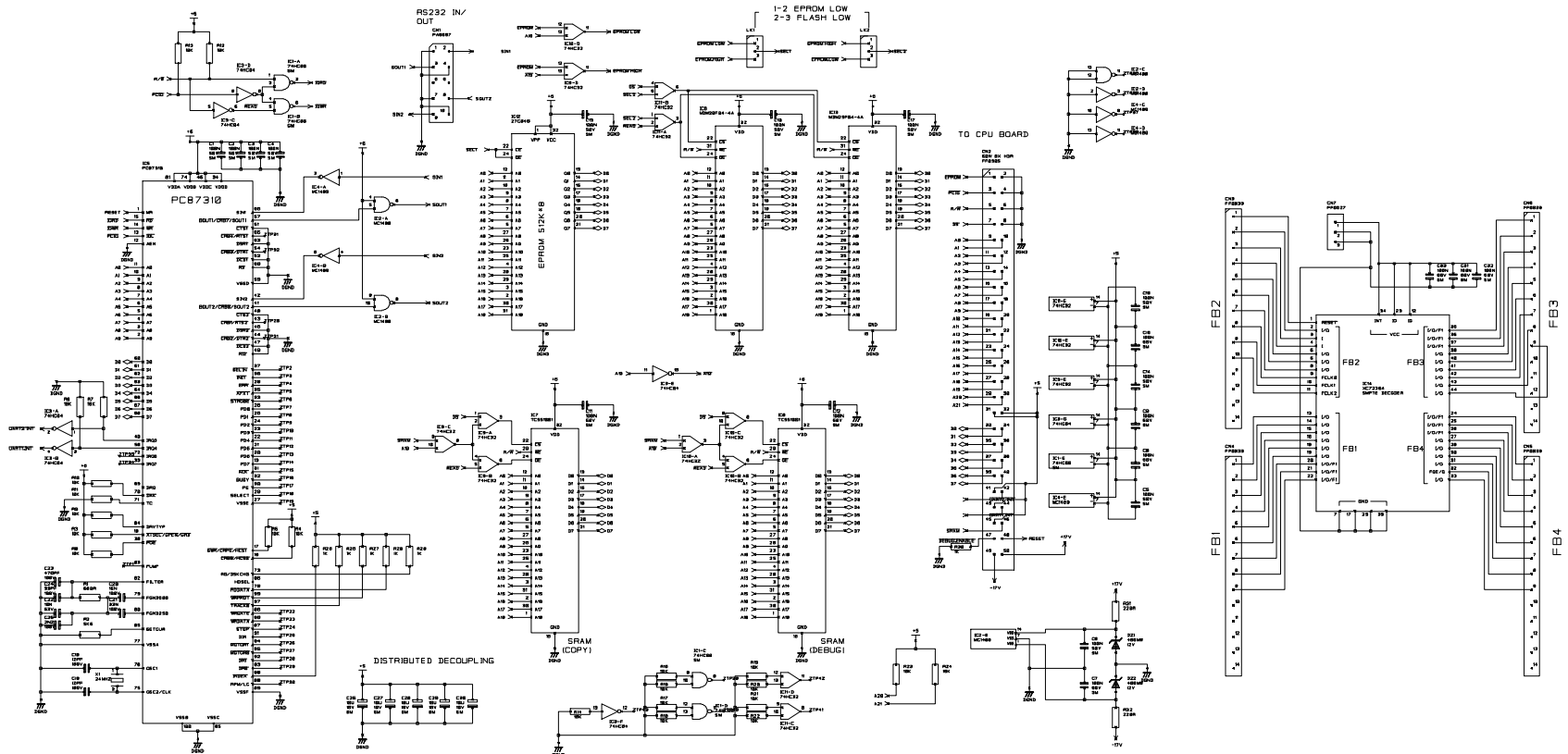
DRN. CN

TITLE
GHOST CPU

DRG NO.
ED 3632



NOTES	DRN. CN	TITLE GHOST CPU
		SMPTE / DEBUG
		DRG NO. ED 3632



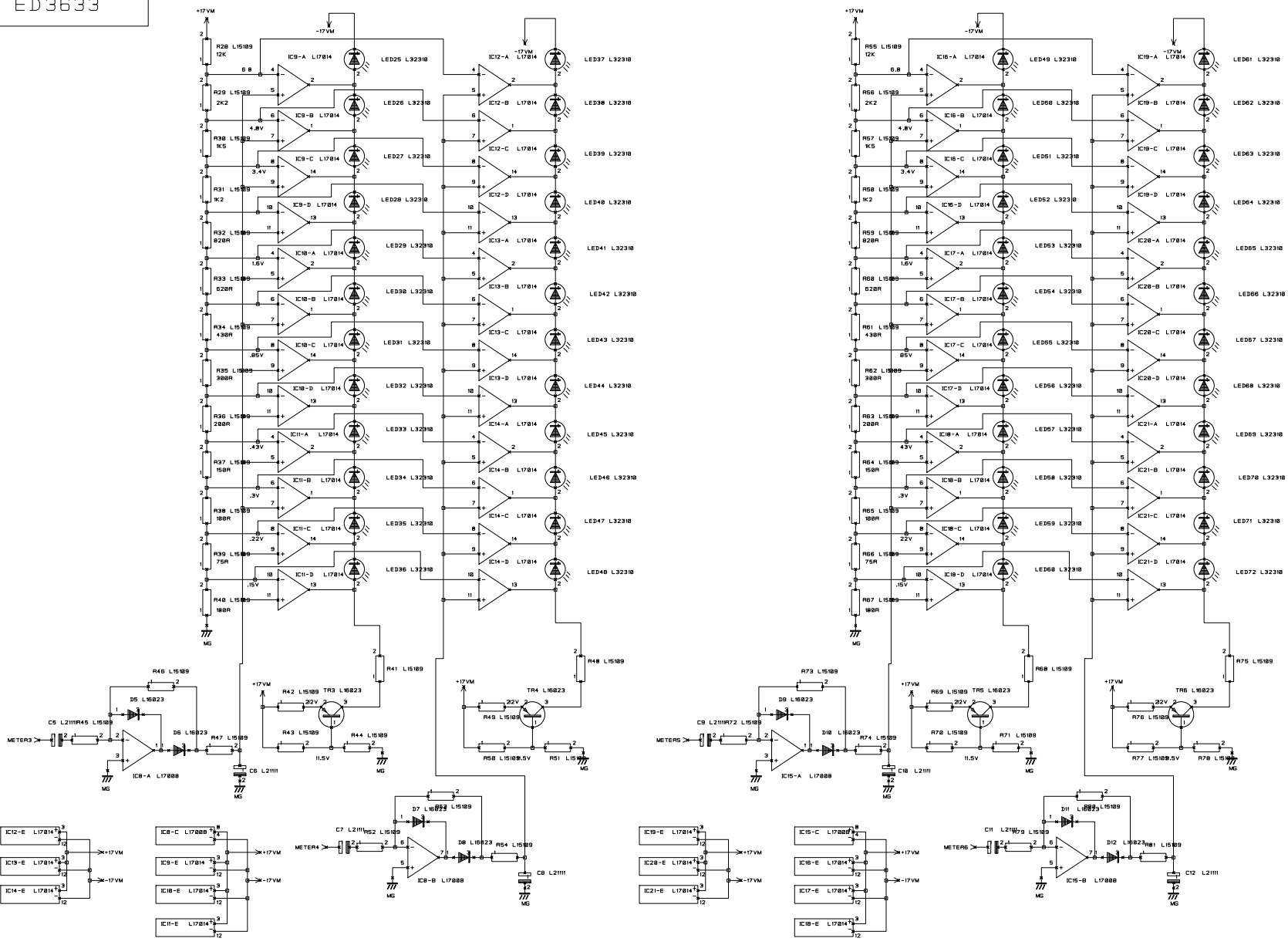
NOTES

DFN. STJ

TITLE GHOST CPU
DEBUG BOARD

DRG NO ED 3632

SHT 1 OF 1

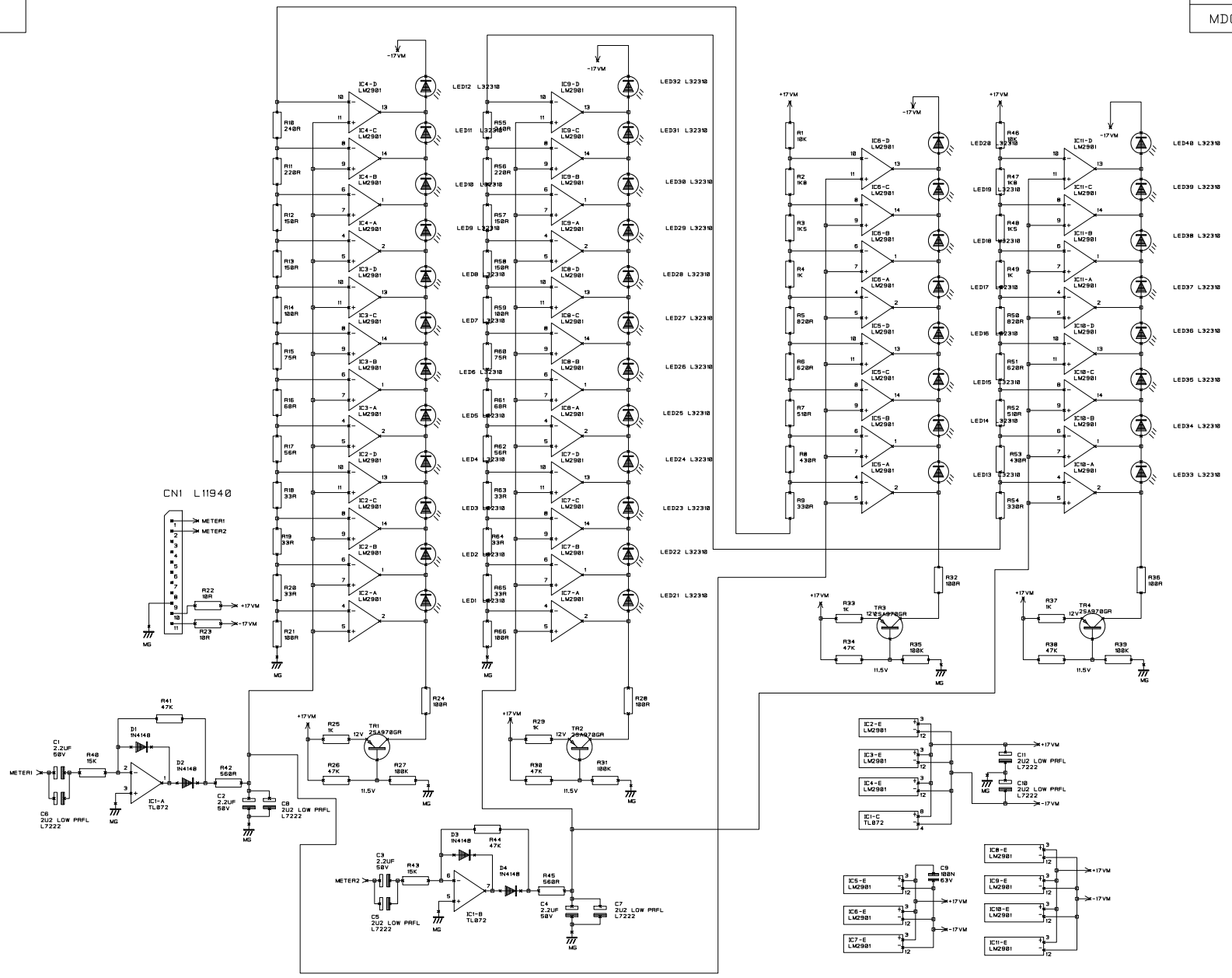


NOTES

DRN. MDG

TITLE
GHOST METERBRIDGE
INPUT SECTION
PCB

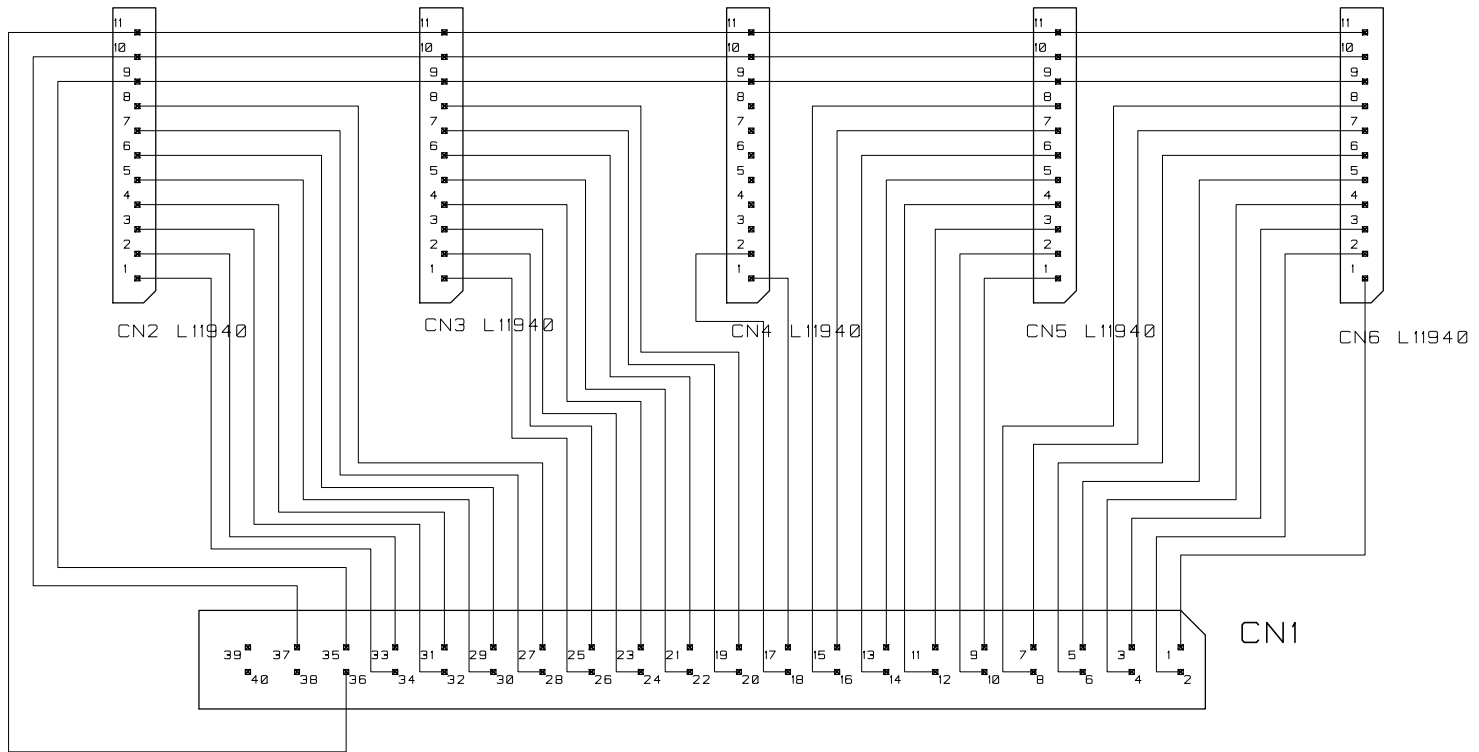
DRG NO. ED 3633



NOTES

DRN.
MDG

TITLE GHOST
METERBRIDGE
MASTER METER PCB
DRG NO. ED3634



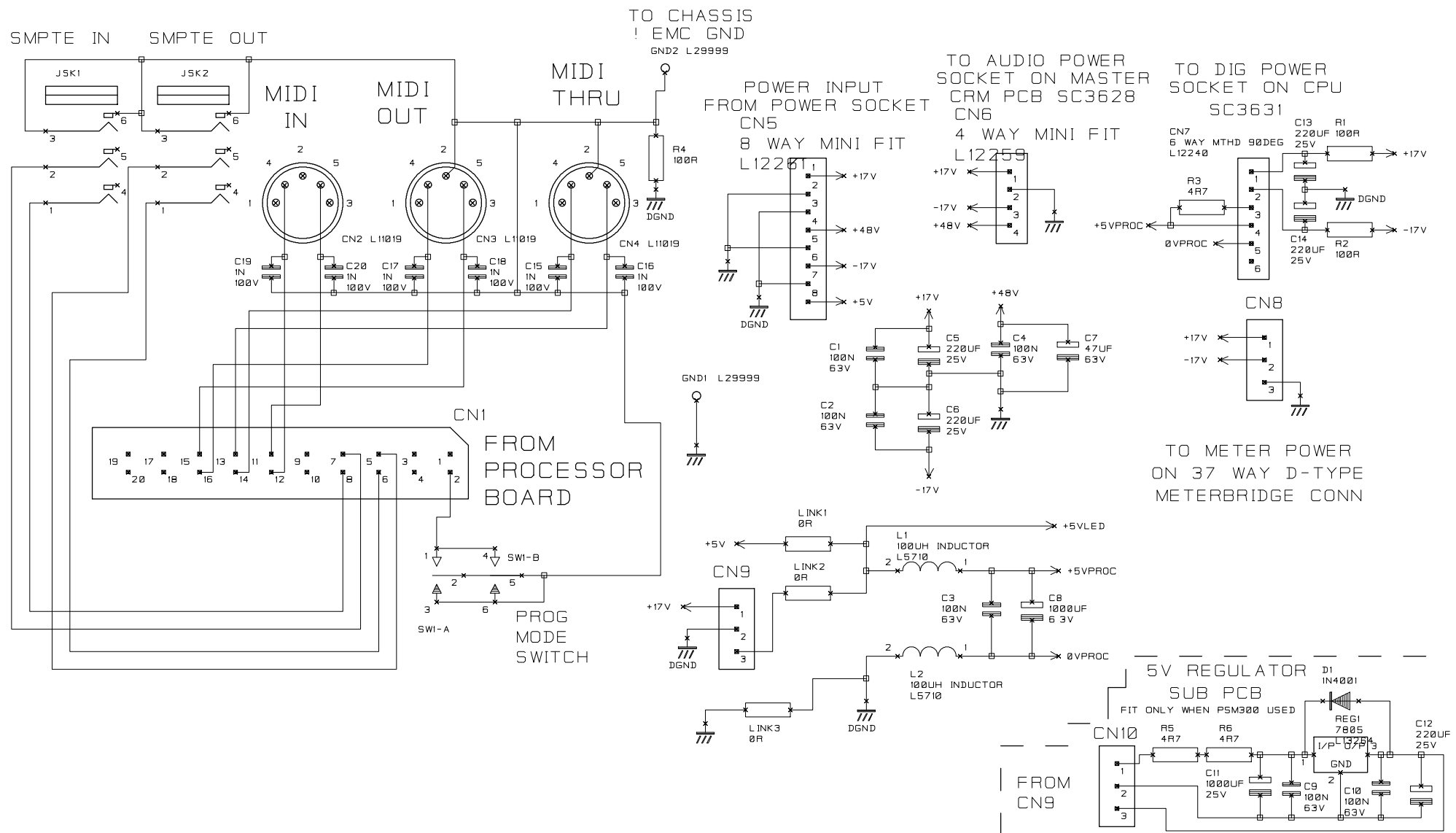
NOTES

DRN.
MDG

TITLE
GHOST METERBRIDGE
DISTRIBUTION PCB

DRG NO.
ED 3635

SHT. 1 OF 1



NOTES

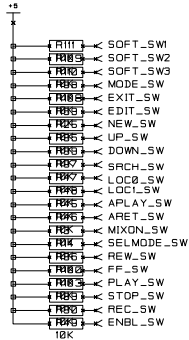
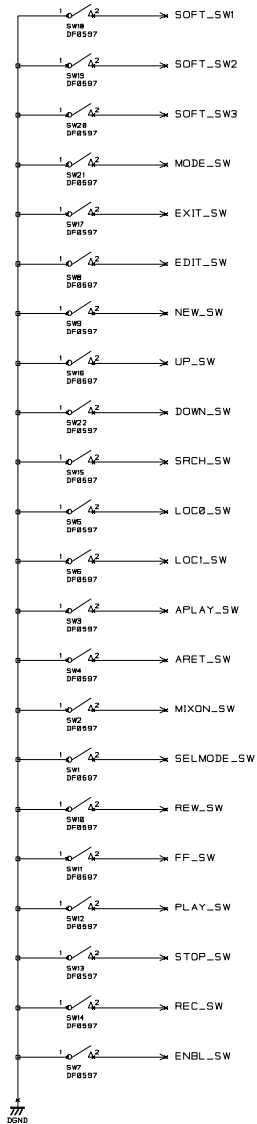
DRN. MDG

TITLE GHOST MIDI RCONN AND PSU DISTRIBUTION PCB

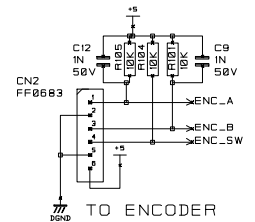
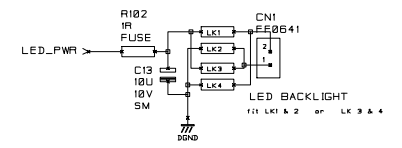
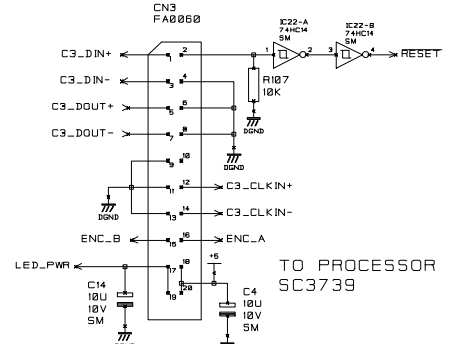
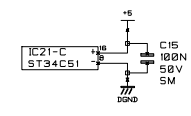
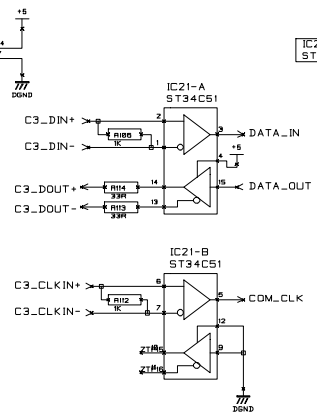
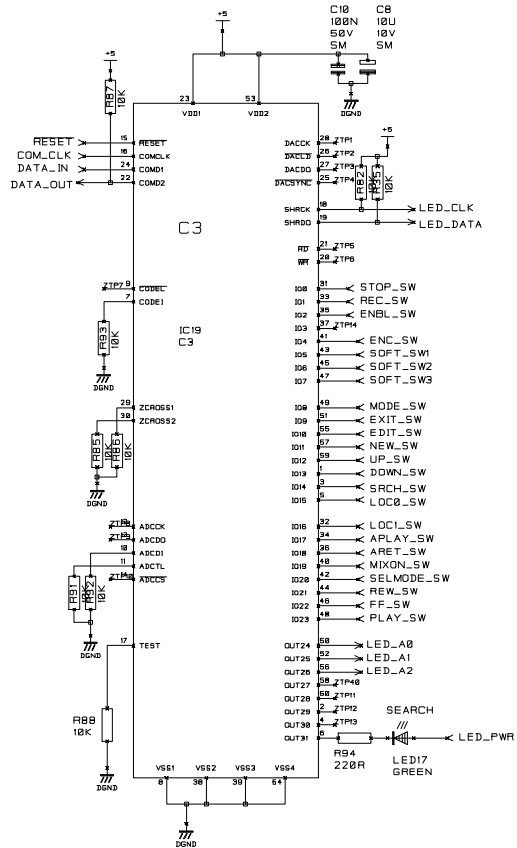
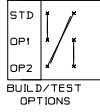
DRG NO. ED 3622

INITIAL	ISSUE	DATE
AH	1	16/6/96

SWITCH INPUTS

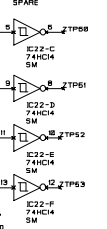


Z1



TO PROCESSOR SC3739

LED BACKLIGHT (1x LK1 & 2 of LK3 & 4)



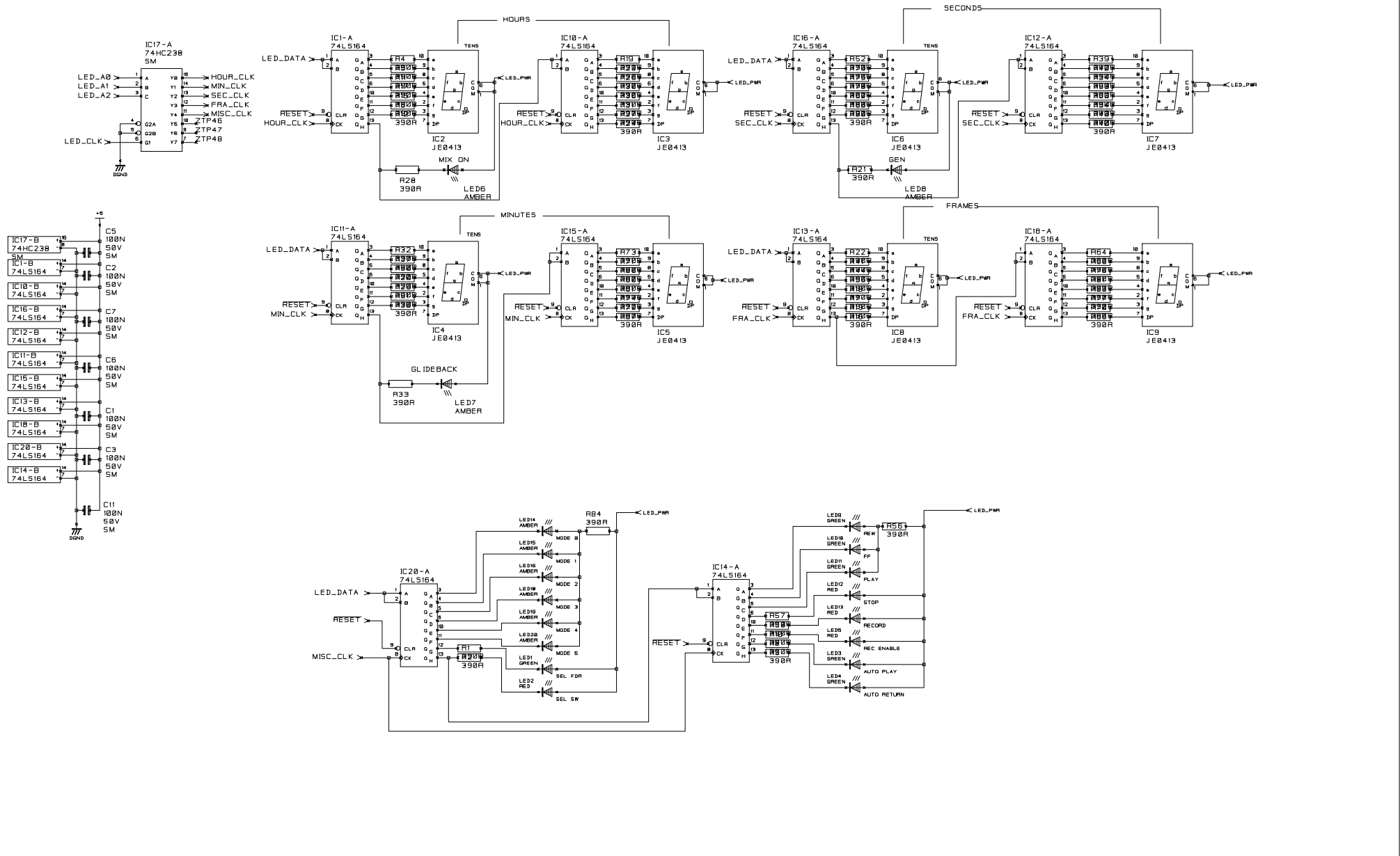
NOTES

DRN.	AH
------	----

TITLE	GHOST MF DISPLAY PCB
DRG NO.	ED3740A

INITIAL	ISSUE	DATE
AH	1	16/6/96

TIME CODE

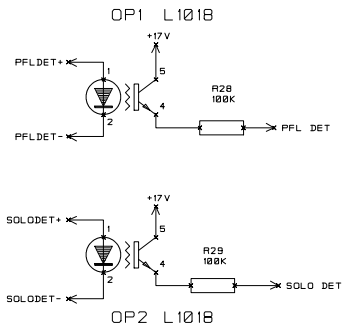
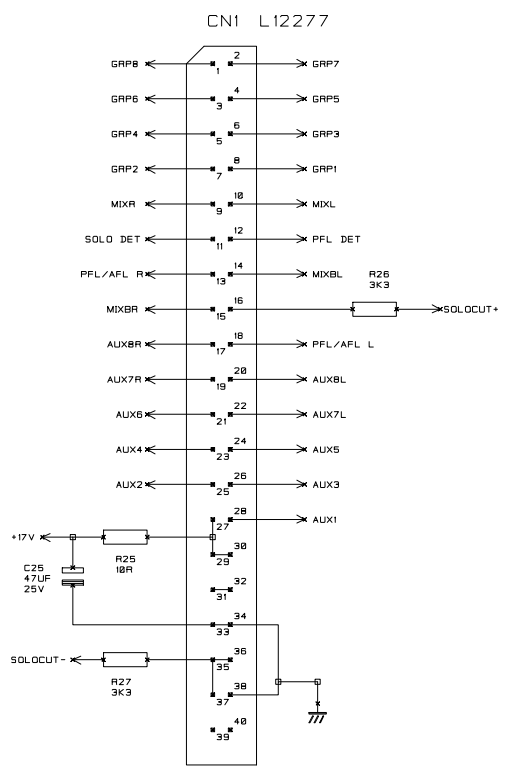
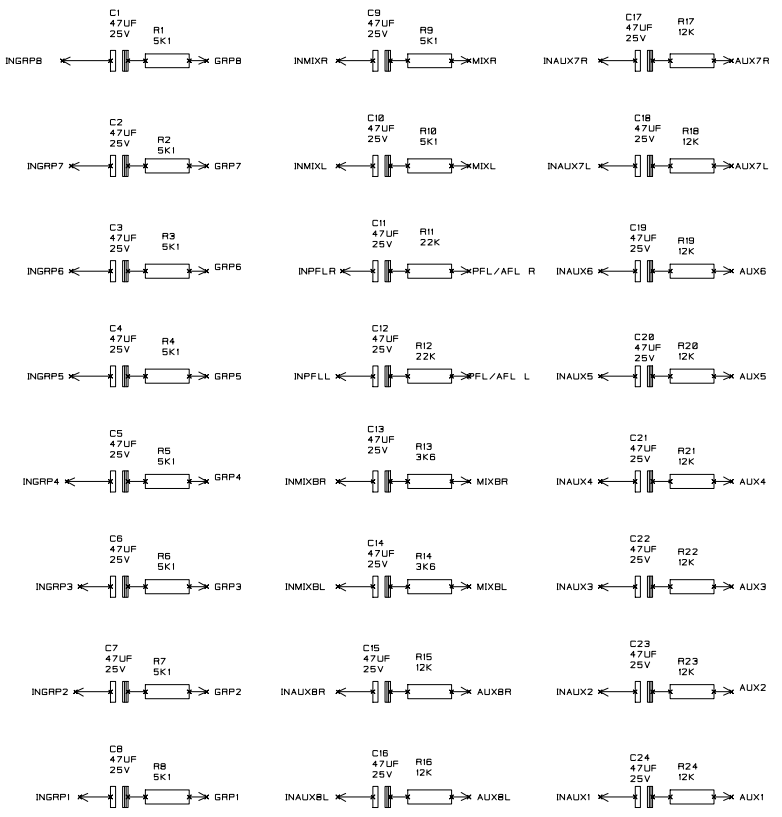
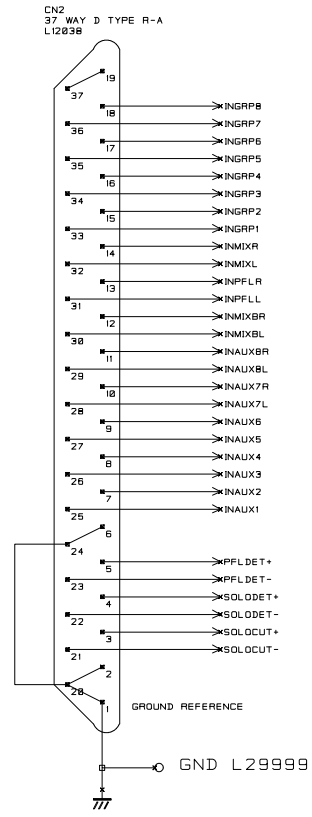


NOTES

DRN. AH

TITLE
GHOST MF DISPLAY
PCB (LEDS & DISPLAYS)

DRG NO.
ED3740B



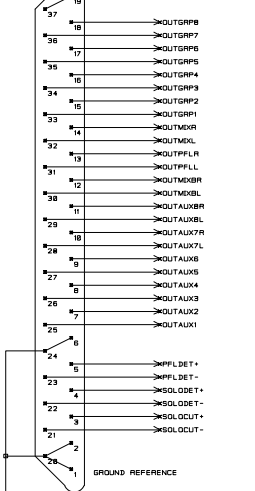
NOTES

NOTES

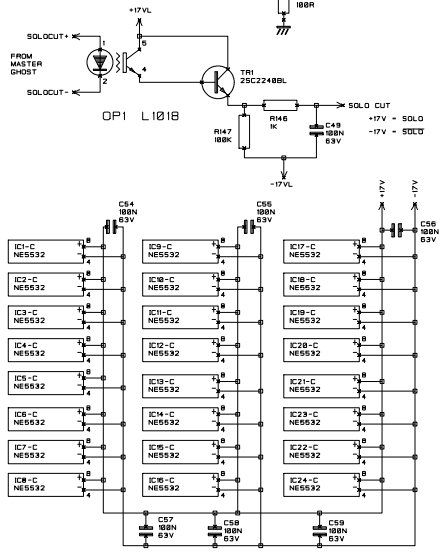
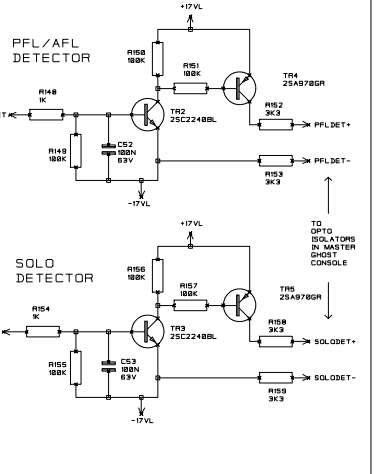
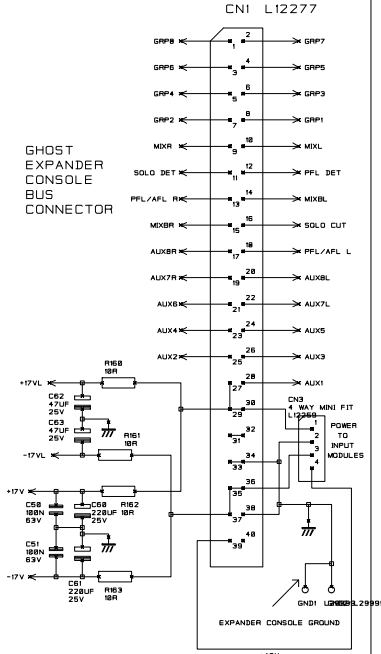
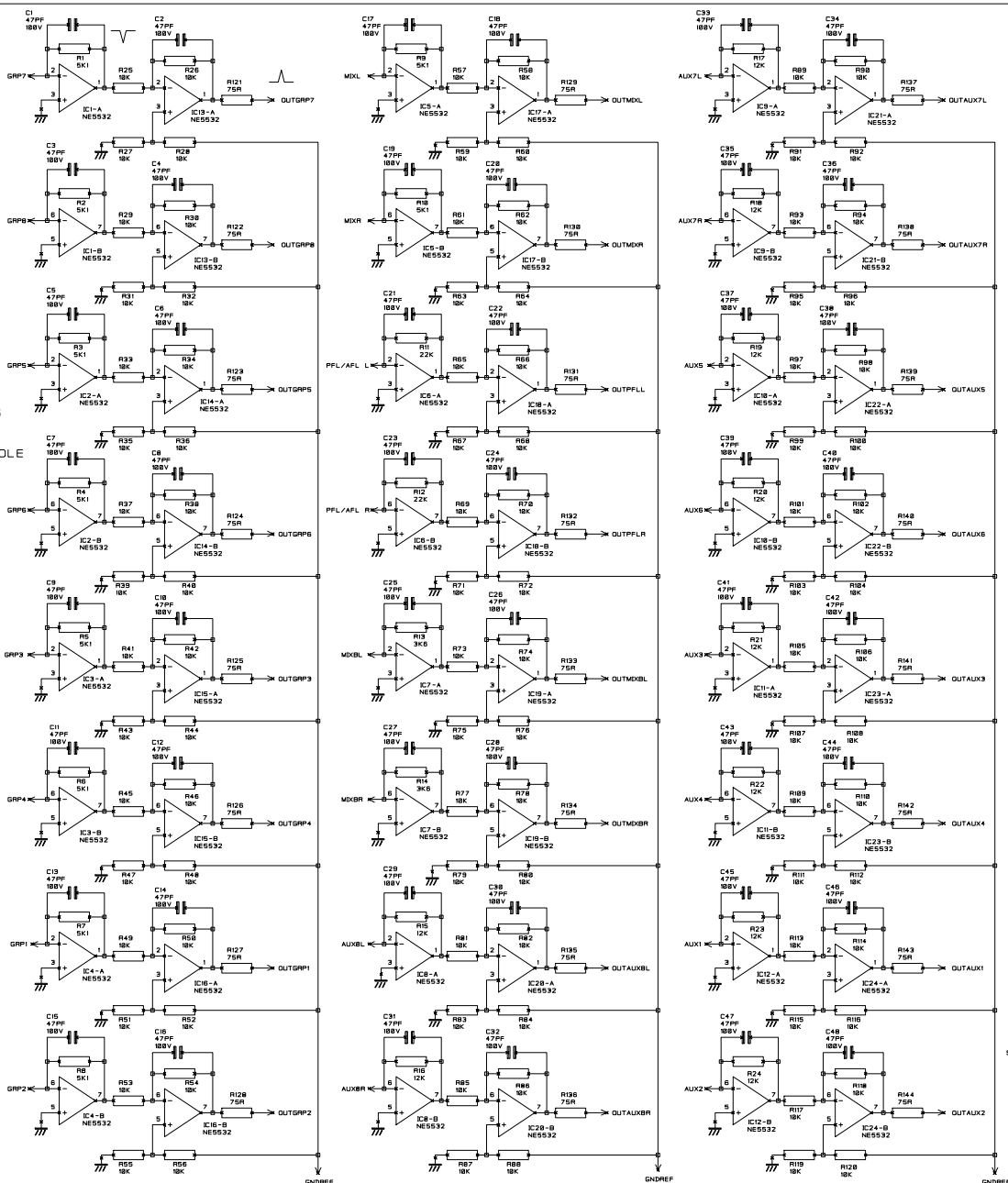
DRN.	MDG	TITLE	GHOST EXPANDER INTERFACE MAIN CONSOLE PCB
		DRG NO.	ED 3726
		SHT.	1 OF 1

INITIAL	ISSUE	DATE
TW	2:02	4-11-98

CN2 37 WAY D TYPE M-A L1835B
CONNECTS TO MASTER GHOST CONSOLE



AUDIO BUS SUMMING AMPS AND OUTPUTS TO GHOST MASTER CONSOLE



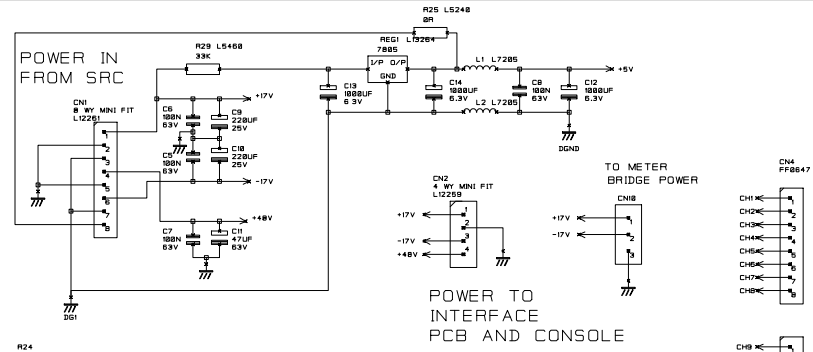
NOTES

DRN. MDG

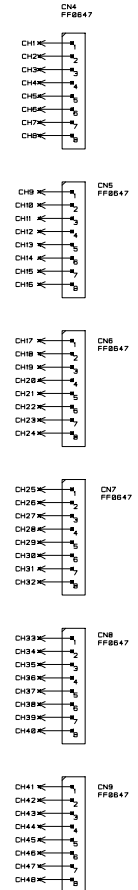
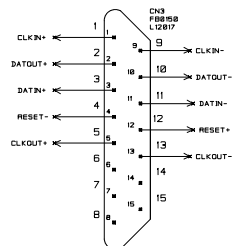
TITLE GHOST EXPANDER CONSOLE BUS INTERFACE PCB

DRG NO. ED 3727

INITIAL	ISSUE	DATE
MG	3:01	3-1-97

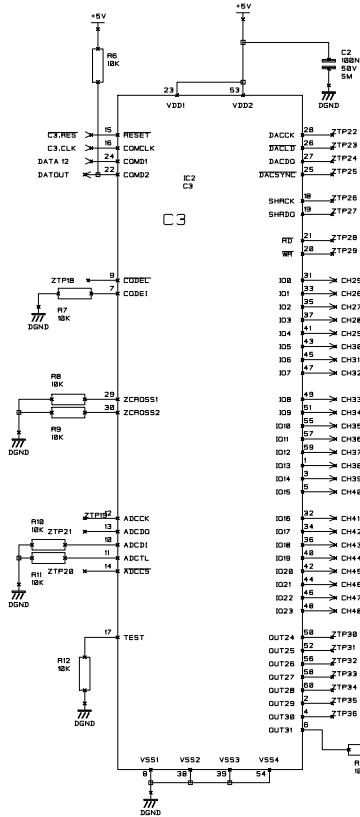
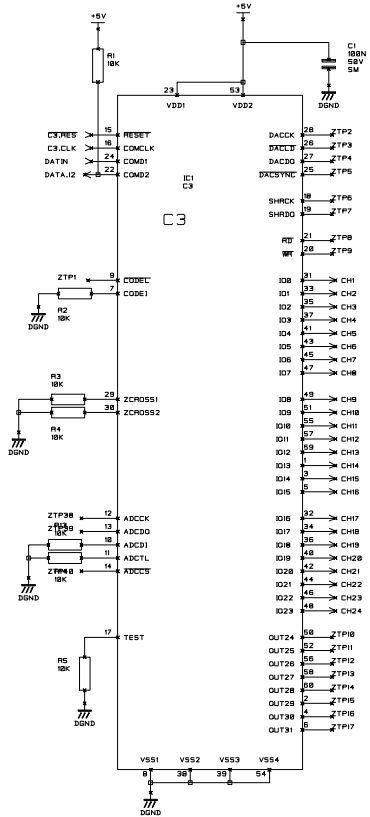


POWER TO INTERFACE PCB AND CONSOLE



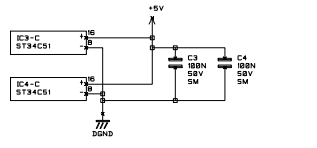
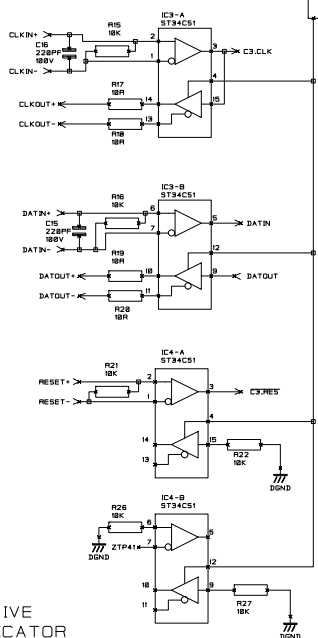
MUTE SIGNALS TO AND FROM CHANNELS

C3 CHIPS



FROM 15 WAY C3 LINK D-TYPE

DIFFERENTIAL I/O



ACTIVE INDICATOR

NOTES
 ISSUE 2 MODIFICATIONS SHOWN.
 +5V REGULATOR PROVIDED FOR USE WITH PSM 290

DRN.	MG
------	----

TITLE	GHOST EXPANDER C3/POWER DIST PCB
DRG NO.	ED 3728