



Technical Manual





IMPORTANT

Please read ALL parts of this manual carefully, particularly the Safety Instructions in the User Manual before using your mixer for the first time.

© Harman International Industries Ltd. 2003

All rights reserved

Parts of the design of this product may be protected by worldwide patents.

Part No. ZM0287

Issue: 1

Soundcraft is a trading division of Harman International Industries Ltd. Information in this manual is subject to change without notice and does not represent a commitment on the part of the vendor. Soundcraft shall not be liable for any loss or damage whatsoever arising from the use of information or any error contained in this manual.

No part of this manual may be reproduced, stored in a retrieval system, or transmitted, in any form or by any means, electronic, electrical, mechanical, optical, chemical, including photocopying and recording, for any purpose without the express written permission of Soundcraft.



Harman International Industries Limited
Cranborne House
Cranborne Road
POTTERS BAR
Hertfordshire
EN6 3JN
UK

Tel: +44 (0)1707 665000

Fax: +44 (0)1707 660742

<http://www.soundcraft.com>

Contents

User Guide	SECTION 1
Schematic Diagrams	SECTION 2
PCB Layouts	SECTION 3
Parts List	SECTION 4

CONTENTS

IMPORTANT SAFETY INSTRUCTIONS	4
Introduction	7
Quick Start Guide	8
A Note on Channel Use	14
Front and Rear Panels	15
Master Section GigRac 600	18
Master Section GigRac 300	24
Rear Panel GigRac 600	28
Rear Panel GigRac 300	30
Rackmounting Your GigRac	32
Connectors and Leads	33
Block Diagram GigRac 600	34
Block Diagram GigRac 300	35
Warranty	36
Gigrac 300 / 600 Specifications	37
Your Notes:	38

NOTE: This equipment has been tested and found to comply with the limits for a Class A digital device, pursuant to Part 15 of the FCC Rules. These limits are designed to provide reasonable protection against harmful interference when the equipment is operated in a commercial environment. This equipment generates, uses, and can radiate radio frequency energy and, if not installed and used in accordance with the instruction manual, may cause harmful interference to radio communications. Operation of this equipment in a residential area is likely to cause harmful interference in which case the user will be required to correct the interference at his own expense.

IMPORTANT SAFETY INSTRUCTIONS

CAUTIONS

- To avoid the risk of fire, replace the mains fuse only with the correct type and value fuse, as marked on the rear of the product.
- ATTENTION: - Afin de réduire le risque de feu remplacer seulement avec fusible de même type.

- MAINS VOLTAGE SELECTION

This setting is NOT User Adjustable.

The units are capable of operating at either 230V AC or 115V AC mains voltages $\pm 10\%$.

- REPLACING MAINS FUSE

Remove the mains lead from the connector. Use a small screwdriver to unscrew the fuse carrier from its location to the left of the mains power connector. Check the fuse is of the correct type and value and replace if necessary; also check that the voltage rating as marked on the rear panel is correct for the mains supply level before switching the unit ON again.

If the mains fuse fails repeatedly this may be because an electrical safety hazard exists. The unit must be taken out of service and referred to the Soundcraft dealer from where the equipment was purchased.

- THIS UNIT MUST BE EARTHED

Under no circumstances should the mains earth be disconnected from the mains lead.

- ATTENTION: - Cet appareil doit être branché à la terre.

The wires in the mains lead are coloured in accordance with the following code:

	UK & EU	US & CAN
Earth / Ground:	Green and Yellow	Green and Yellow
Neutral:	Blue	White
Live:	Brown	Black

As the colours of the wires in the mains lead may not correspond with the coloured markings identifying the terminals in your plug, proceed as follows:

The wire which is coloured Green and Yellow must be connected to the terminal in the plug which is marked with the letter E or by the earth / ground symbol:

The wire which is coloured Blue or White must be connected to the terminal in the plug which is marked with the letter N.

The wire which is coloured Brown or Black must be connected to the terminal in the plug which is marked with the letter L.

Ensure that these colour codings are followed carefully in the event of the plug being changed.

Replacement Part No: FJ8016 (UK) : FJ8017 (EU) : FJ8018 (US & CAN)

- Do not install near any heat sources such as radiators, heat resistors, stoves, or other apparatus (including amplifiers) that produce heat.
- Do not use this apparatus near water. The apparatus must not be exposed to dripping or splashing. Objects containing liquid must not be placed on the apparatus.
- The disconnect device is the mains plug or the appliance connector: either one must remain accessible so as to be readily operable in use.
- Do not defeat the safety purpose of the polarized or grounding type plug.

A polarized plug has two blades with one wider than the other. A grounding type plug has two blades and a third grounding prong. The wide blade or the third prong are provided for your safety. When the provided plug does not fit into your outlet, consult an electrician for replacement of the obsolete outlet.

- Protect the power cord from being walked on or pinched particularly at plugs and convenience receptacles.
- Only use cables and hardware specified by the manufacturer.

- Unplug this apparatus during lightning storms or when unused for long periods of time.
- Refer all servicing to qualified service personnel. Servicing is required when the apparatus has been damaged in any way such as, the power-supply cord or plug is damaged, liquid has been spilled or objects have fallen into the apparatus, the apparatus has been exposed to rain or moisture, the apparatus does not operate normally or has been dropped.
- It is recommended that all maintenance and service on the product should be carried out by Soundcraft or its authorised agents. Soundcraft cannot accept any liability whatsoever for any loss or damage caused by service, maintenance or repair by unauthorised personnel.
- If a trolley is used, use caution when moving the trolley / apparatus combination to avoid injury from tip-over.

WARNINGS

- Read these instructions.
- Keep these instructions.
- Heed all warnings.
- Follow all instructions.
- This unit contains no user serviceable parts. Refer all servicing to a qualified service engineer, through the appropriate Soundcraft dealer.
- Clean the apparatus only with a dry cloth.
- DO NOT block any of the ventilation openings. DO NOT install where air cannot flow over the rear of the unit. DO Install in accordance with the manufacturers instructions.

Introduction

Firstly we'd like to thank you for choosing the Soundcraft GigRac. We hope you have many happy years together!

Features

- 8 Microphone Inputs
- 48V Phantom Power for condenser microphones (Inputs 1-4 only)
- PAD buttons for controlling loud input signals (Inputs 1-4 only)
- 4 Stereo compatible inputs
- Treble and Bass controls
- Individual volume controls on each channel for Monitor level.
- Individual volume controls on each channel for Main level.
- Individual send controls for GiGFX on each channel
- 7 Band Graphic Equaliser
- 8 x Digital Effects (24 Bit/48 kHz)
- Record Output
- FX bypass switch
- FX bus output socket
- Submix input
- Amplifier 'Clip' warning light
- 10 segment LED output level meter

The GigRac case.

Your GigRac is cased in a structural foam copolymer polypropylene resin, which gives an optimum combination of strength and impact resistance. This material also helps to keep the shell in good condition as it very resistant to dents and scratches.

The nature of the moulding process leaves the irregular streaky surface finish that gives the GigRac its tough and unique look.

Amplifier Power Ratings

GigRac 300

1 x 300W @ 4 Ohms

1 x 220W @ 8 Ohms

GigRac 600

2 x 300W @ 4 Ohms

2 x 220W @ 8 Ohms

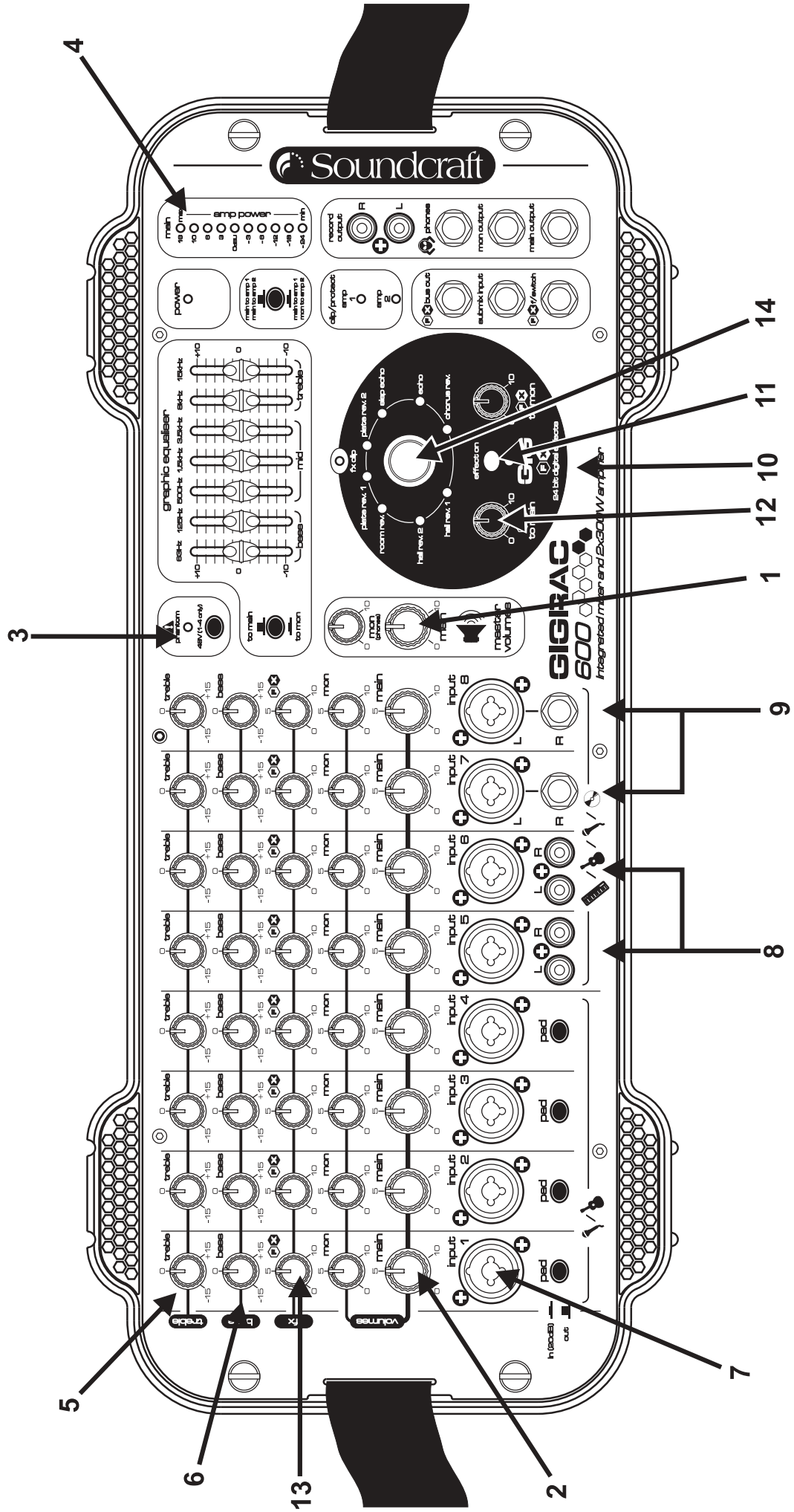
Quick Start Guide

If like most people you can't wait to use your GigRac for the first time, then use the Quick Start Guide to get things started. The Quick Start Guide covers the following:

- 1. Connecting up your loudspeakers to the GigRac**
- 2. Plugging in a vocal microphone**
- 3. Adding Treble or Bass to the signals**
- 4. Plugging in a guitar or stereo keyboard**
- 5. Apply one of the 8 GigFX digital effects to the signals**

Note: We recommend that you read through the entire GigRac user guide to familiarise yourself with all of the features on offer.

GigRac 600 shown.



1. Connecting up your loudspeakers to the GigRac

Note: Make sure your GigRac is not powered up. This is very important to prevent any damage to either the GigRac or your loudspeakers!

Using good quality speaker cables connect the loudspeakers to the Speaker outputs on the rear of the GigRac.

If you have cables equipped with Neutrik Speakon connectors then use the Speakon connectors on the rear of the GigRac. Alternatively if you have cables equipped with jack plugs then use the jack sockets on the rear of the GigRac.

Note: Because the GigRac 300 and GigRac 600 are mono mixers there is no difference between the signals sent to the Left or Right speakers i.e. both speakers will receive the same signal equally all of the time.

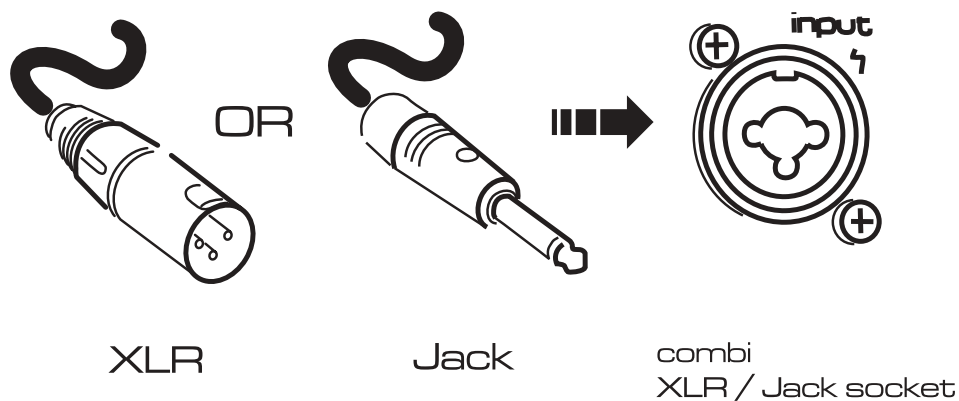
Make sure that the Main Master Volume control **(1)** is turned fully down
Now switch the GigRac on using the Power switch on the rear of the unit.

2. Plugging in a vocal microphone

Note: Before connecting a microphone to channels 1-4, make sure that the 48V phantom power switch is switched off (The red LED should not be illuminated)

Connect the microphone cable to one of the first four inputs on the front of the GigRac.

(The inputs on the GigRac can receive either 3-Pin XLR or standard Jack connectors.)



Turn the Main Master Volume control **(1)** up to about half-way.

Now gradually turn up the Main Volume control **(2)** on the microphone channel you have chosen to use. You should now hear the microphone signal appearing in the loudspeakers as you begin to speak.

You should also be able to see activity on the Output Meter **(4)**

Note: The XLR input on channels 1 - 4 is very sensitive. Depending on your microphone or your application, you may need to press the PAD button to prevent distortion occurring; don't worry, this is perfectly normal.

Note: Be careful not to point the microphone at the loudspeakers or you could accidentally create unpleasant feedback sounds.

A note on Condenser Microphones

If your microphone is a condenser microphone that requires phantom power you will need to switch on the 48V phantom power switch **(3)** located to the left of the Graphic Equaliser. Before doing this make sure that the Main Volume control **(2)** on the chosen channel is turned fully off to avoid causing an unpleasant sound that might damage your speakers.

3. Adding Treble or Bass to the signal

The GigRac offers simple Treble and Bass control for changing the tone of the signal.

Treble (5)

To add or remove some brightness or 'sparkle' to or from a signal, use the Treble control. In the center 'click' position (0) the Treble control has no effect. Turning it clockwise will boost the treble frequencies making the signal sound brighter. Turning it anti-clockwise will have the opposite effect by removing the treble frequencies and making the signal sound less bright.

The Treble control is handy for adding some sparkle for example to an acoustic guitar, or for reducing the 's' sound from sibilant vocals.

Bass (6)

To add some 'bass thump' to a signal or remove some 'boominess' or rumble, use the Bass control. In the center 'click' position (0) the Bass control has no effect. Turning it clockwise will boost the Bass frequencies making the signal sound punchier and more 'bassy'. Turning it anti-clockwise will have the opposite effect by removing the bass frequencies and making the signal sound less 'boomy'.

The Bass control is useful for making a bass drum sound punchier, or alternatively could be used for reducing explosive 'b' and 'p' sounds from a vocal signal.

4. Plugging in an Acoustic Guitar, Stereo Keyboard or CD Player

The GigRac will happily receive signals from instruments with either mono or stereo outputs such as guitars (Mono) or stereo keyboards and CD Players (Stereo)

Before plugging in, make sure the Main Volume control **(2)** for the chosen channel is turned fully off to avoid accidental damage to your speakers.

Acoustic Guitars

Set the Main Master Volume control **(1)** to about halfway.

Make sure the Main Volume control **(2)** on the channel you are about to use is turned fully down.

Plug the guitar lead into the jack socket in the center of the combination input socket **(7)** on the channel of your choice. Turn up the volume control on your guitar to about halfway, and then gradually turn up the Main Volume control **(2)** until you hear the guitar signal appearing in the loudspeakers. You should also see activity on the Main Output meter **(4)**.

Stereo Keyboards and CD Players

The GigRac offers four channels that can receive stereo inputs. Two of these channels are equipped with RCA/Phono connectors (Channel 5 and 6) **(8)** and two with Jack connectors (Channels 7 and 8) **(9)**.

Connect up the Left and Right outputs of your CD player or Cassette deck to the Left and Right RCA/Phono inputs on either Channel 5 or 6 of the GigRac. Turn up the Main Master Volume control **(1)** to about halfway, and then turn up the Main Volume control **(2)** on the chosen channel until you hear the signal appearing in the loudspeakers.

Connect up the Left and Right outputs of your Stereo Keyboard to the Left and Right Jack inputs on either Channel 7 or 8 of the GigRac. Set the volume control of your keyboard to about halfway. Turn up the Main Master Volume control **(1)** to about halfway, and then turn up the Main Volume control **(2)** on the chosen channel until you hear the signal appearing in the loudspeakers.

You may now use the Treble and Bass controls as mentioned above to change the tone of the signals.

5. Apply one of the 8 GigFX digital effects to the signals

The GigRac's GIGFX Processor **(10)** has a choice of 8 studio quality digital effects that can be added to any individual or group of signals running through the mixer. Usually vocals require some digital reverb or echo to be added to them in order to create a more spatial sound that is pleasing to the listener.

Make sure the 'FX On' button is selected

To try this out simply select one of the 8 GigFX presets such as Hall Reverb using the selector knob **(14)**. Make sure the 'Bypass' switch **(11)** is not selected.

Turn the 'FX to Main' control **(12)** to about halfway and then gradually turn up the individual 'FX' send control **(13)** on the channel you wish to add the effect to. As you turn up the 'FX' send level you should hear the signal change.

By pressing the 'FX On' **(11)** switch to the off position you can compare the original 'dry' signal with the 'wet' effected signal.

You can now turn the selector knob **(14)** to select different types of effects for comparative purposes

A Note on Channel Use



Channels 1-4 are the most sensitive. It is better to use these channels for microphones (particularly if your microphones are fitted with jack plugs), and guitars with passive pickups. It is likely that you will need to have the pad buttons pressed in if you use mics fitted with XLRs.



Channels 5-8 are less sensitive, they are ideal for line-level devices such as keyboards, CD players and tape players. They will also work with guitars with active pickups. Microphones fitted with XLRs will also work (unless they need phantom power).

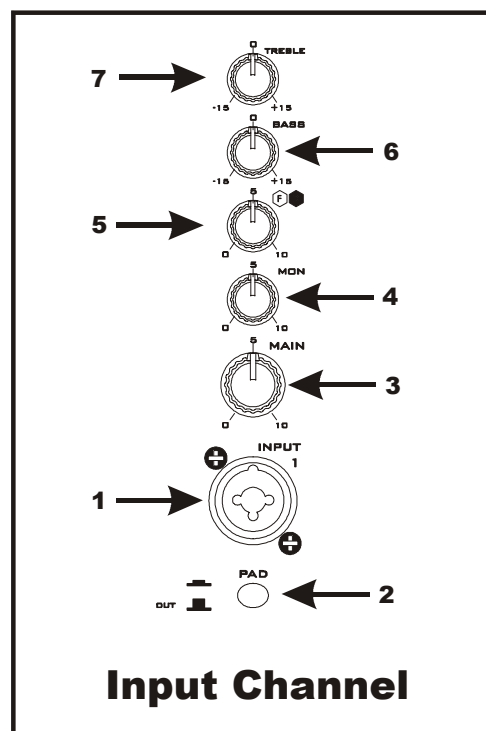
Front and Rear Panels

Front Panel (GigRac 300 and 600)

Input channel

The GigRac has a total of 8 channels. Channels 1-4 are designed to handle mono microphone or mono line level signals only. Channels 5-8 are designed to handle mono microphone and mono line level signals but will also accommodate stereo signals as well. (The GigRac 300 and 600 are mono devices and therefore any stereo signals connected will be automatically summed to mono before being output.)

(1) Input Connector



This connector is a combination Jack/3 Pin XLR connector and can receive any of the following types of input connectors

- Microphone cables with Jack connectors
- Microphone cables with 3 pin XLR connectors
- Line input cables with Jack connectors (e.g. guitars, keyboards etc.)
- Line input cables with 3 pin XLR connectors.

(2) PAD switch (Channels 1-4 only)

Pressing the PAD switch reduces the input level by 20dB allowing line or mic level signals that would normally be too loud for the Input stage to handle to be connected without any audible distortion.

(3) Main Volume Control

The Main Volume Control determines the amount of level sent from the channel to the main output mix.

This allows each channel's relative volume level to be 'blended' together to create the final mix whose overall level is then controlled by the Main Master Volume control **(8)** .

(4) Mon Volume Control

The Monitor (Mon) Volume Control determines the amount of level sent from the channel to the Monitor (Mon) Output **(20)** and also the Phones Output **(18)**

This allows each channel's relative volume level to be 'blended' together to create a separate monitor mix whose overall level is then controlled by the Mon Master Volume control **(9)**. This feature is used mainly for creating a 'foldback' mix for the musicians and would normally be sent to a monitor speaker with its own amplifier. (This could also be used for creating a headphone mix)

The Mon Volume Control operates independent of the Main Volume Control and will therefore not be affected if the Main Volume Control is turned up or down. (For the more technically minded, the signal is sourced Pre-Fader and Post EQ)

(5) FX Control

The FX Control determines the amount of level sent from the channel to the GigFX digital effects processor and also to the 'FX Bus output' connector **(21)**

This allows each channel's relative level to be 'blended' together to create a separate effects mix whose overall level is then controlled by the 'FX to Main' **(24)** and 'FX to Mon' **(25)**.

The FX Bus Output connector could also be used to connect to other external devices such as effects processors or recorders.

(6) Bass Control

The Bass Control is set at 80Hz and allows you to either add or remove the low frequency content of the signal by 15dB.

Rotating the control clockwise will 'boost' the signal, rotating the control anticlockwise will 'cut' the signal.

This control is useful for adding more 'thump' to low frequency signals such as bass guitars and kick drums but can also be used to remove unwanted rumble or boominess from signals such as vocal or instrument microphones.

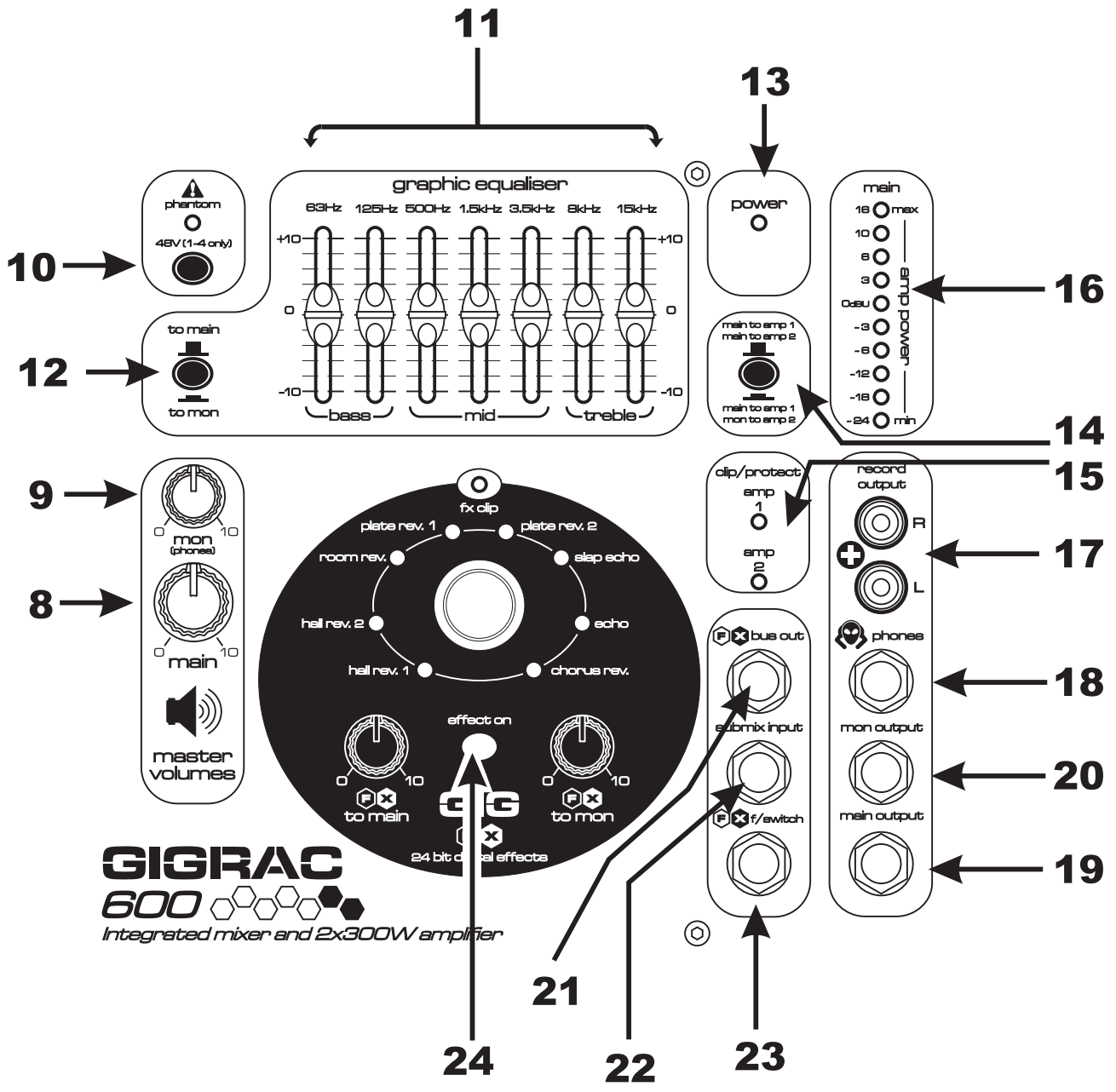
(7) Treble Control

The Treble Control is set at 12kHz and allows you to either add or remove the high frequency content of the signal by 15dB.

Rotating the control clockwise will 'boost' the signal, rotating the control anticlockwise will 'cut' the signal.

This control is useful for adding 'crispness' or 'sizzle' to signals with a lot of high frequency content such as guitars and cymbals but can also be used to remove unwanted sibilance from signals such as vocals.

Master Section GigRac 600



(8) Main Master Volume Control

This control determines the overall level that is sent to the internal amplification and to the Main Output socket. **(19)**

(9) Mon (PHONES) Master Volume Control

This control determines the overall level that is sent to the Monitor Output (Mon Output) and Phones socket.

(10) Phantom 48V switch

This switch turns the 48v phantom power On/Off for the 3 pin XLR sockets on channels 1-4. When the switch is turned On the red LED will illuminate.

48V phantom power is used to power condenser microphones and DI boxes.

NB! To avoid possible damage to your loudspeakers, make sure that the Main and Monitor Master Volume controls are turned down fully before switching on the 48V phantom power.

(11) Graphic Equaliser

The Graphic Equaliser is divided into 7 frequency bands. Each frequency band can be used to either 'cut' or 'boost' the Main Output signal by up to 10dB.

The Graphic Equaliser is very useful for compensating for poor room acoustics or improving the performance of your loudspeakers.

(12) To Main/To Mon switch (GigRac 600 only)

This switch determines which signal path is sent to the Graphic Equaliser. Normally the Graphic Equaliser operates on the Main Mix output path (To Main) but it might be desirable for some applications to have the Graphic Equaliser assigned to the Mon Mix output path.

(13) Power LED

The red Power LED illuminates when the GigRac is switched on.

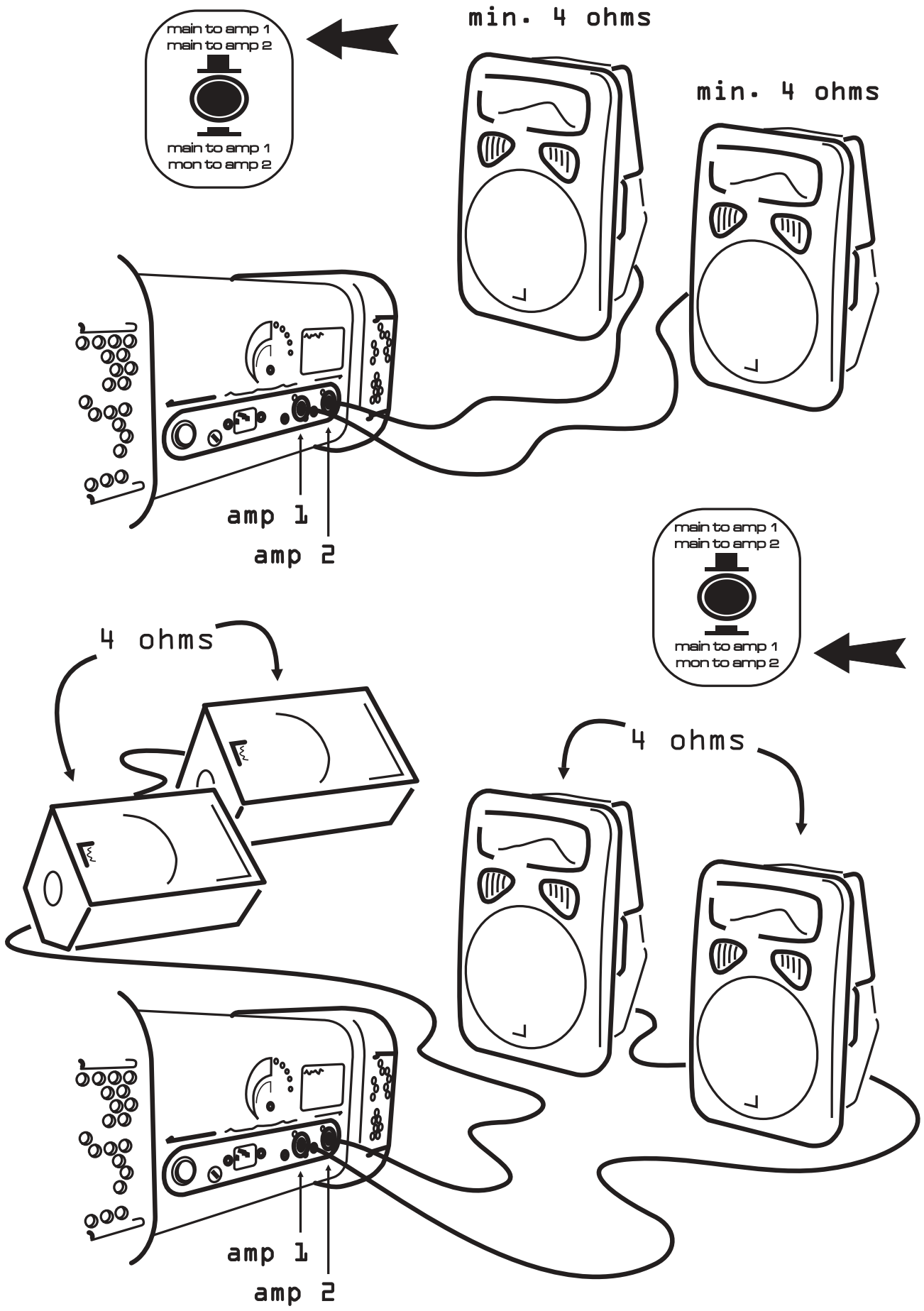
(14) Main to Amp 1/Mon to Amp 2 - Main to Amp 1/Main to Amp 2 switch (GigRac 600 only)

This switch determines which signals are sent to Amp 1/Speaker Output 1 and Amp 2/Speaker Output 2.

The Choices are:

Main to Amp 1/Main to Amp 2 – The Main Mix is sent to both Speaker Output 1 and Speaker Output 2.

Main to Amp 1/Mon to Amp 2 – The Main Mix Output will appear on Speaker Output 1 and the mon Mix Output will appear on Speaker Output 2



(15) Amp Clip LED

The red Amp Clip LED illuminates when the input level to the internal amplifier is too high. It is acceptable for this LED to come on momentarily every now and then but the Main or Monitor Master Volume (depending on which mode has been selected: see (14) above) should be turned down if the Amp Clip LED illuminates consistently.

NB! Continued use of the GigRac with the Amp Clip LED illuminated could cause serious damage to your GigRac and your loudspeakers!

(16) Main Output meter

The 10-segment output meter shows the signal level output from the Main Master Volume control.

It is best to aim to have the red 10dB LED lighting up regularly during the loudest signals peaks playing through your GigRac and the 16dB LED flicking on very occasionally. This will ensure that a good level is passing through the mixer.

(17) Record Output

The Record Output is for connecting a recording device such as a cassette or mini disk recorder.

The signal output at the Record Output socket is a post fade signal derived from the Main Mix output. The amount of signal level leaving the GigRac via the Record Outputs is determined by the Main Master Volume control. **(8)**

(18) Phones Output

Connect headphones to the Phones Output. The Phones Output derives its signal from the Monitor (Mon) controls on each channel and the over all volume of the headphones output is determined by using the Mon (Phones) Master Volume control **(9)**

(19) Main Output

The Main Output carries the Main Mix signal after it has passed through the Graphic Equaliser and the Main Master Volume control (i.e. the same signal that is sent to the internal amplification). This output can

be used to send the Main Mix to another amplifier or powered speaker or alternatively it can be used to send a 'submix' to another mixer's input channel or another recording device.

(20) Mon Output

The Mon Output carries the Monitor Mix signal derived from the Mon controls on each channel. The Mon output level is controlled by the Mon Master Volume control. **(9)**

This output is used mainly to send the Mon Mix signal to an on stage fold back speaker system of some kind.

(21) FX Bus Output

The FX Bus Output carries the FX Mix signal as derived from the FX controls on each channel. This allows additional external effects processing devices to be used in conjunction with the GigRac's built in GigFX digital effects processor.

(22) Submix Input

The Submix Input allows the output from another mixer to be blended with the Main Mix Output of the GigRac. This input could also be used for connecting an effects return signal from an external effects processing device.

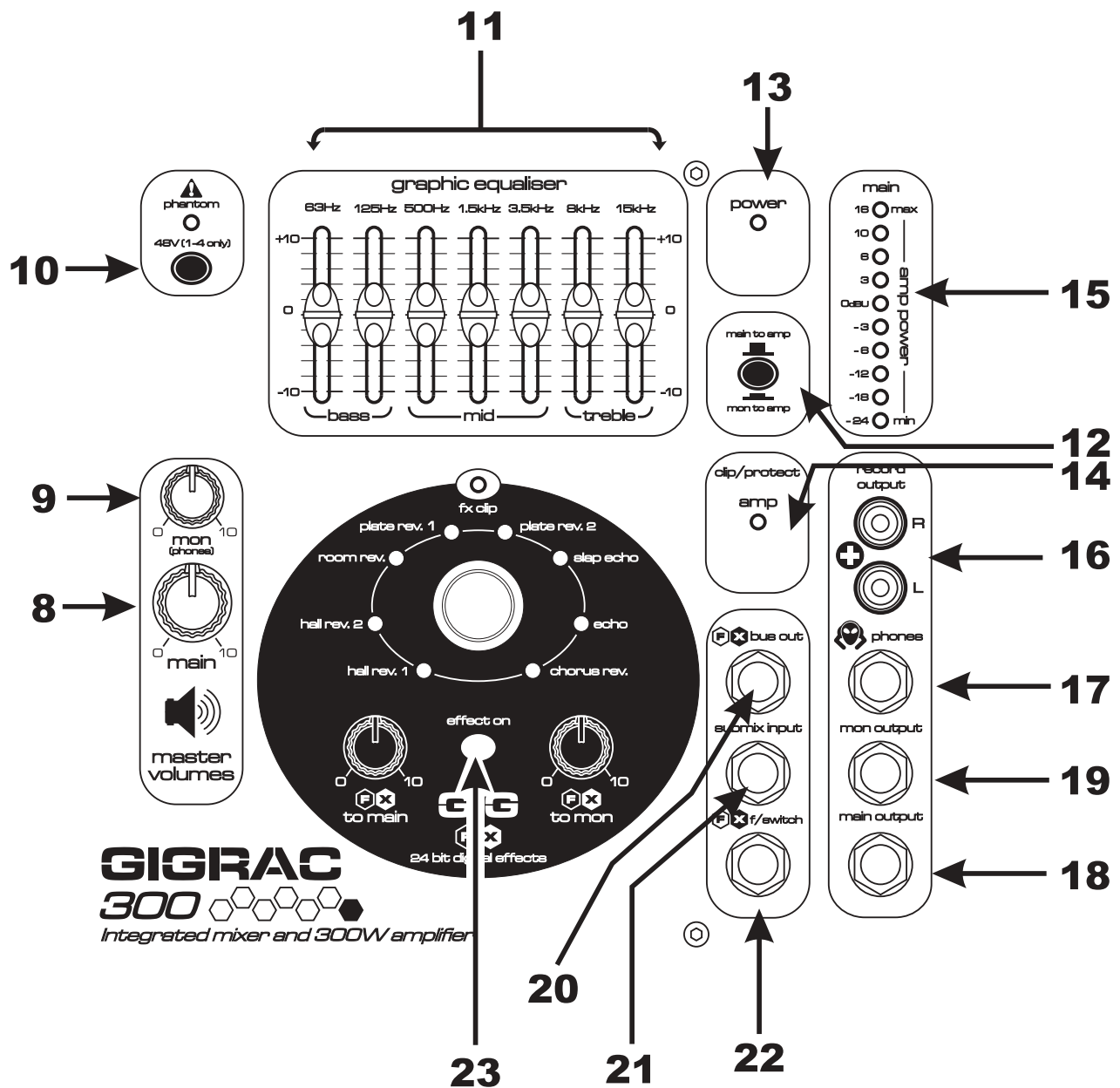
(23) FX Bypass Footswitch

The FX Bypass Footswitch socket is used for connecting an optional foot switch to turn the GigFX processor On and Off.

(24) Effect on switch

The effect on switch has a toggle action, the adjacent LED indicates when the FX unit is on.

Master Section GigRac 300



(8) Main Master Volume Control

This control determines the overall level that is sent to the internal amplification and to the Main Output socket.

(9) Monitor Master Volume Control (Mon Master Volume Control)

This control determines the overall level that is sent to the Monitor Output (Mon Output) and Phones socket.

(10) Phantom 48V switch

This switch turns the 48v phantom power On/Off for the 3 pin XLR sockets on channels 1-4. When the switch is turned On the red LED will illuminate.

48V phantom power is used to power condenser microphones and DI boxes.

NB! To avoid the possible damage to your loudspeakers, make sure that the Main and Monitor Master Volume controls are turned downfully before switching on the 48V phantom power.

(11) Graphic Equaliser

The Graphic Equaliser is divided into 7 frequency bands. Each frequency band can be used to either 'cut' or 'boost' the Main Output signal by up to 10dB.

The Graphic Equaliser is very useful for compensating for poor room acoustics or improving the performance of your loudspeakers.

(12) Main To Amp/Mon To Amp switch

This switch is usually set to 'Main To Amp' (Up position), which means that the output from the Main Master Volume (8) is sent to the internal amplification and then out of the Speaker Outputs on the rear of the GigRac.

Alternatively it is possible by pressing the switch down, to send the output from the Mon Master Volume **(9)** to the internal amplification and then out of the Speaker Outputs.

When the 'Mon to Amp' mode is selected the Main Output is not sent to the Speaker 1 and Speaker 2 outputs but is available at the Main output Jack socket **(18)**

(13) Power LED

The red Power LED illuminates when the GigRac is switched on.

(14) Amp Clip LED

The red Amp Clip LED illuminates when the input level to the internal amplifier is too high. It is acceptable for this LED to come on momentarily every now and then but the Main or Monitor Master Volume (depending on which mode has been selected – see (12) above) should be turned down if the Amp Clip LED illuminates consistently.

NB! Continued use of the GigRac with the Amp Clip LED illuminated could cause serious damage to your GigRac and your loudspeakers!

(15) Main Output meter

The 10-segment output meter shows the signal level output from the Main Master Volume control. **(8)**

It is best to aim to have the red 10dB LED lighting up regularly during the loudest signals peaks playing through your GigRac and the 16dB LED flicking on very occasionally. This will ensure that a good level is passing through the mixer.

(16) Record Output

The Record Output is for connecting a recording device such as a cassette or mini disk recorder.

The signal output at the Record Output socket is a post fade signal derived from the Main Mix output. The amount of signal level leaving the GigRac via the Record Outputs is determined by the Main Master Volume control. **(8)**

(17) Phones Output

Connect headphones to the Phones Output. The Phones Output derives its signal from the Monitor (Mon) controls on each channel and the over all volume of the headphones output is determined by using the Mon (Phones) Master Volume control **(9)**

(18) Main Output

The Main Output carries the Main Mix signal after it has passed through the Graphic Equaliser and the Main Master Volume control (i.e. the same signal that is sent to the internal amplification). This output can

be used to send the Main Mix to another amplifier or powered speaker or alternatively it can be used to send a 'submix' to another mixer's input channel or another recording device.

(19) Mon Output

The Mon Output carries the Monitor Mix signal derived from the Mon controls on each channel. The Mon output level is controlled by the Mon Master Volume control. **(9)**

This output is used mainly to send the Mon Mix signal to an on stage fold back speaker system of some kind.

(20) FX Bus Output

The FX Bus Output carries the FX Mix signal as derived from the FX controls on each channel. This allows additional external effects processing devices to be used in conjunction with the GigRac's built in GigFX digital effects processor.

(21) Submix Input

The Submix Input allows the output from another mixer to be blended with the Main Mix Output of the GigRac.

This input could also be used for connecting an effects return signal from an external effects processing device.

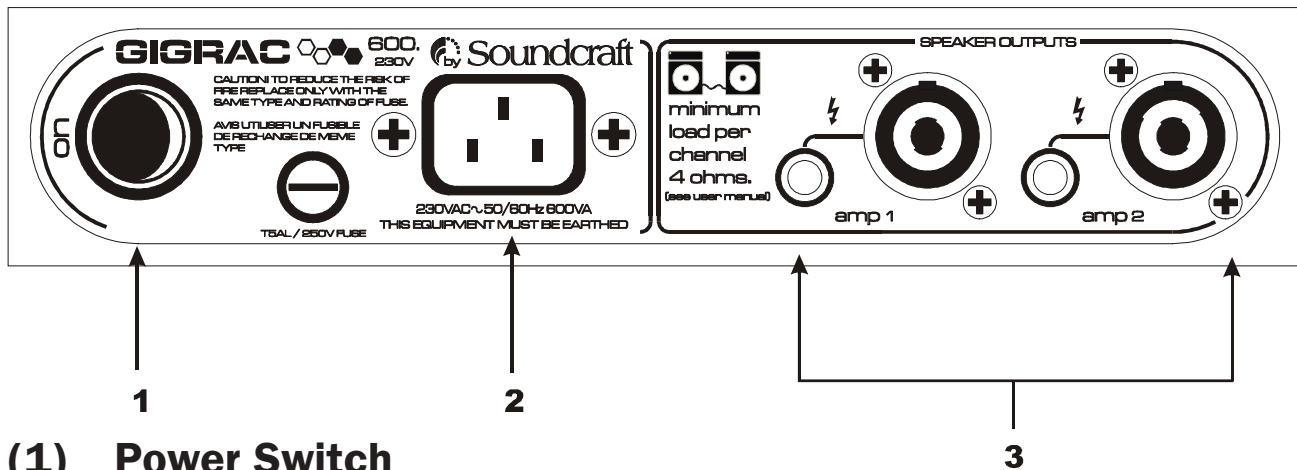
(22) FX Bypass Footswitch

The FX Bypass Footswitch socket is used for connecting an optional foot switch to turn the GigFX processor On and Off.

(23) Effect On Switch

The effect on switch has a toggle action, the adjacent LED indicates when the FX unit is on.

Rear Panel GigRac 600



(1) Power Switch

This switch turns the GigRac On or Off. The red Power LED **(13)** on the front panel will illuminate to confirm this.

NB! Before switching the GigRac On or Off, make sure that the Main and Mon Master Volume controls are turned fully down.

(2) Power Socket

Connect the supplied power cable to this socket.

(3) Speakers Outputs (Amp 1 and Amp 2)

The Speaker Outputs are available as Neutrik Speakon connectors and standard ¼" Jack connectors.

Connect your loudspeakers to these outputs. The signal sent to the Speakon connectors and the Jack sockets is exactly the same.

Use the appropriate connector type to match the input connectors on your loudspeakers. The GigRac 600 is designed to work with loudspeakers rated at either 8 ohms or 4 ohms.

The minimum load that either of the amplifiers inside the GigRac 600 should be presented with is 4 ohms. this means that a single 4 or 8 ohm speaker can be connected to each amplifier outputs as shown in Fig 1. Alternatively, two 8 ohm speakers can be connected in parallel to each amplifier output, as shown in Fig 2. Two speakers connected like this gives a combined load of 4 ohms.

Fig. 1

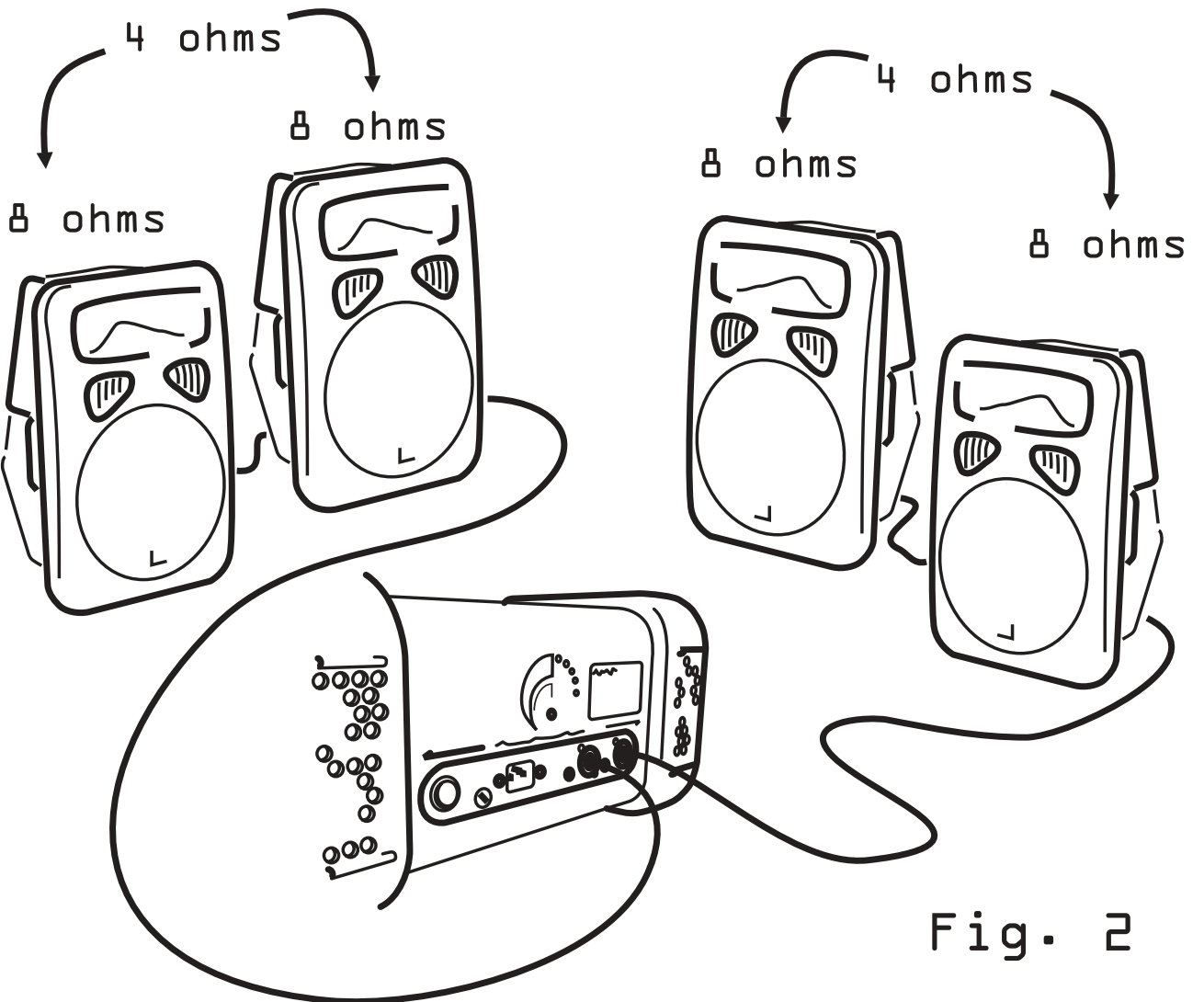
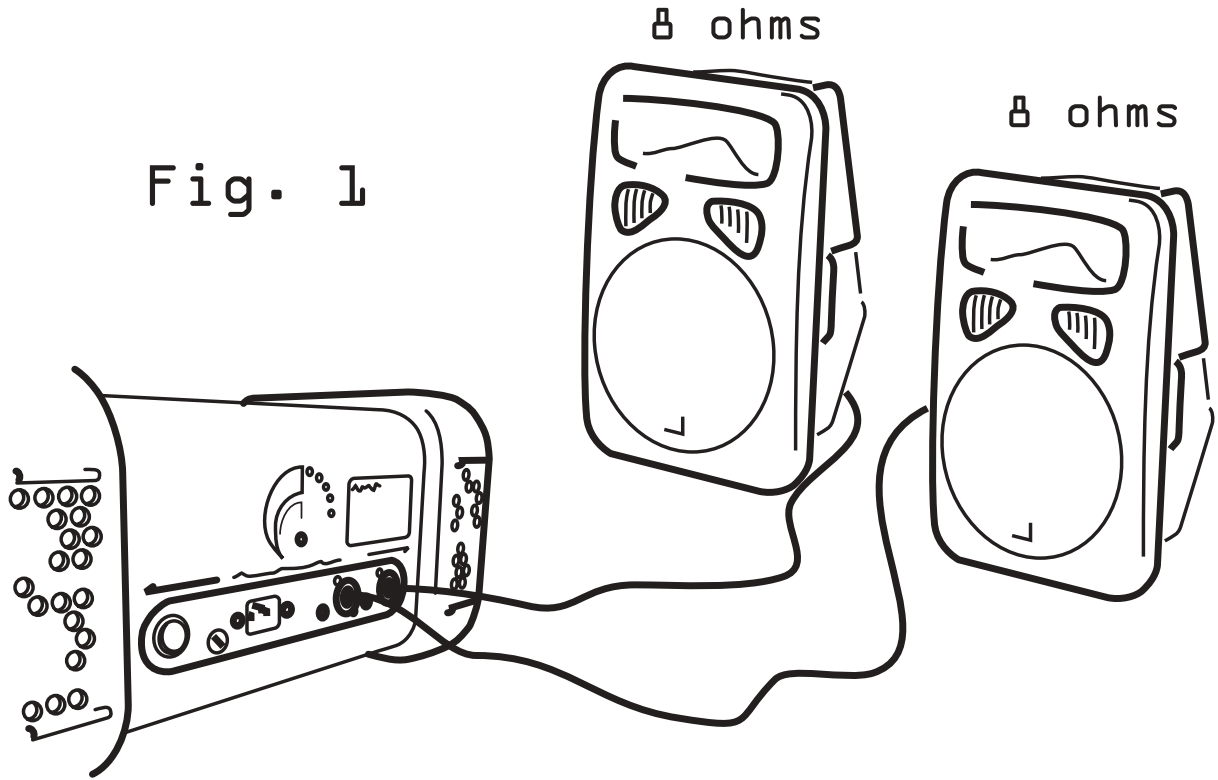
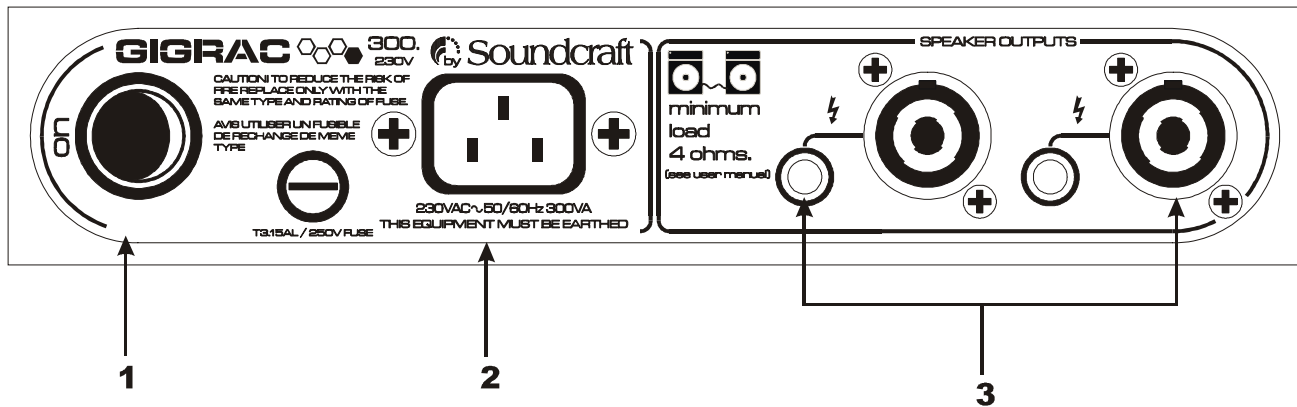


Fig. 2

Rear Panel GigRac 300



(1) Power Switch

This switch turns the GigRac On or Off. The red Power LED **(13)** on the front panel will illuminate to confirm this.

NB! Before switching the GigRac On or Off, make sure that the Main and Mon Master Volume controls are turned fully down.

(2) Power Socket

Connect the supplied power cable to this socket.

(3) Speakers Outputs

The Speaker Outputs are available as Neutrik Speakon connectors and standard 1/4" Jack connectors.

Connect your loudspeakers to these outputs. The signal sent to the Speakon connectors and the Jack sockets is exactly the same.

Use the appropriate connector type to match the input connectors on your loudspeakers.

The minimum load that the amplifier inside the GigRac should be presented with is 4 ohms. This means that a single 8 ohm speaker can be connected to each of the speaker outputs as shown in Fig 1, or two 8 ohm speakers can be connected in parallel to one of the speaker outputs as shown in Fig 2. Two speakers connected like this gives a combined load of 4 ohms.

Fig. 1

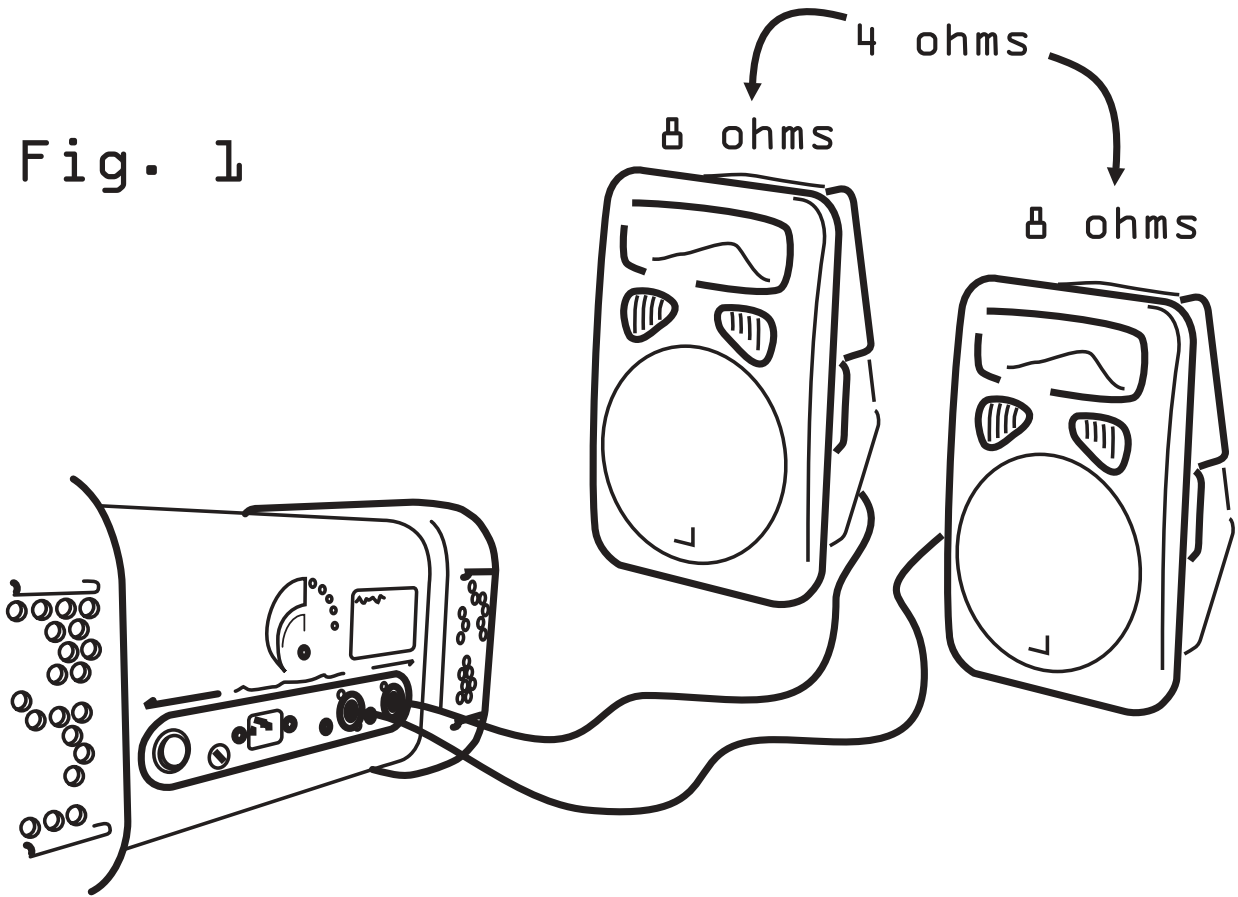
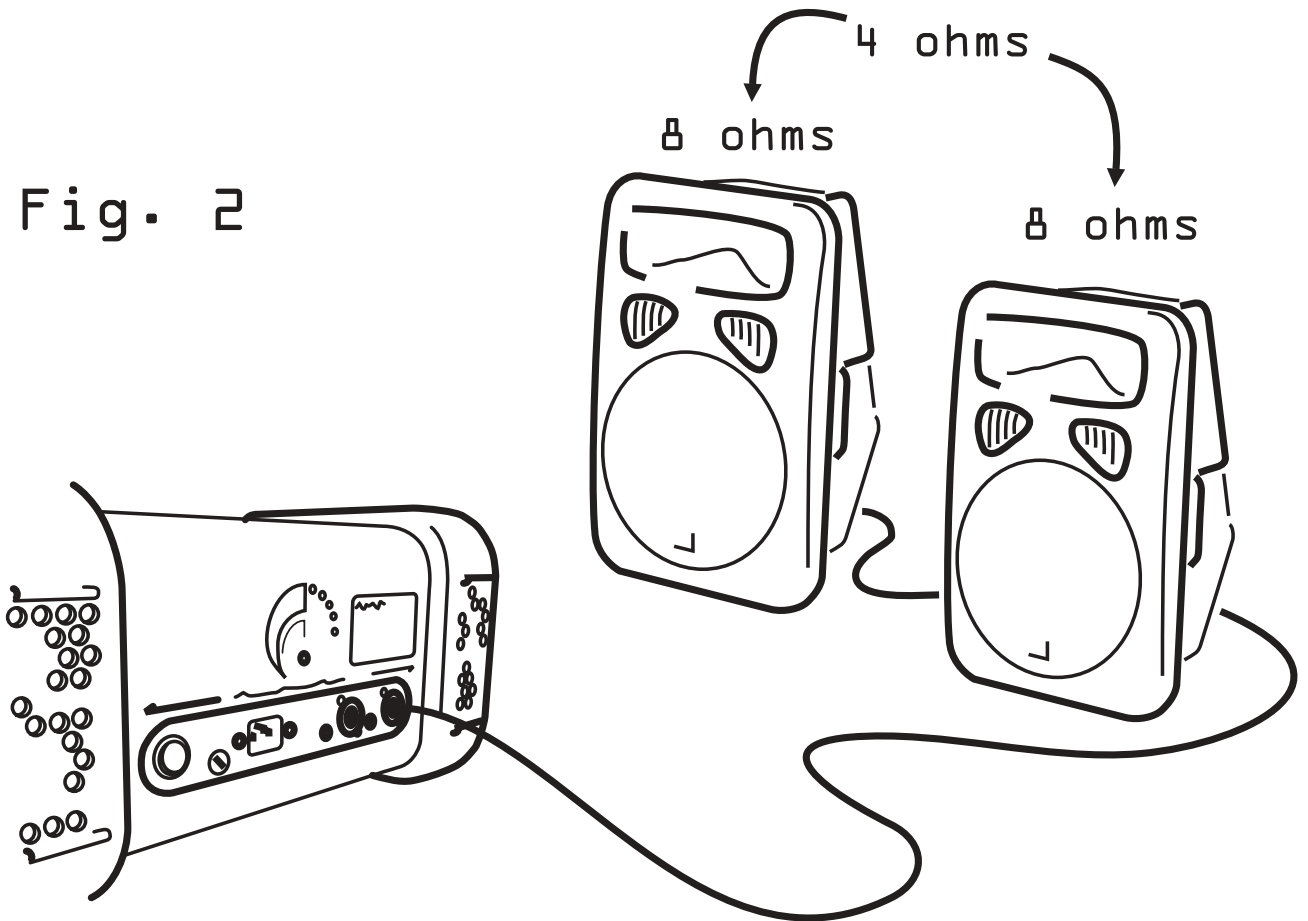
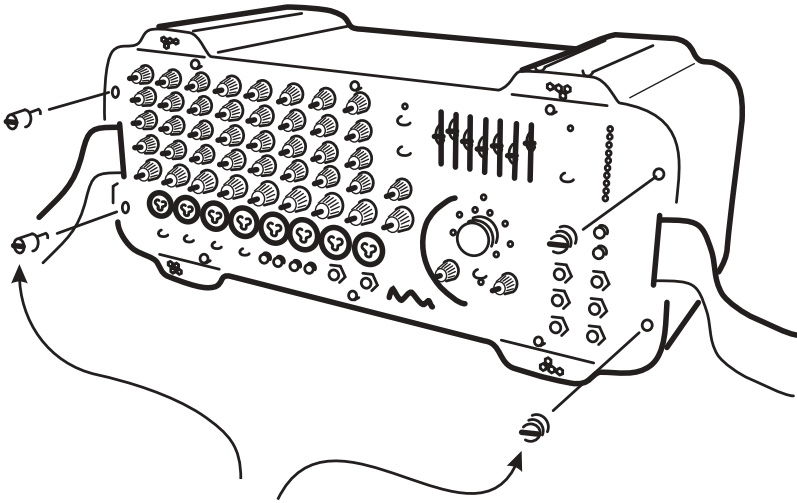


Fig. 2

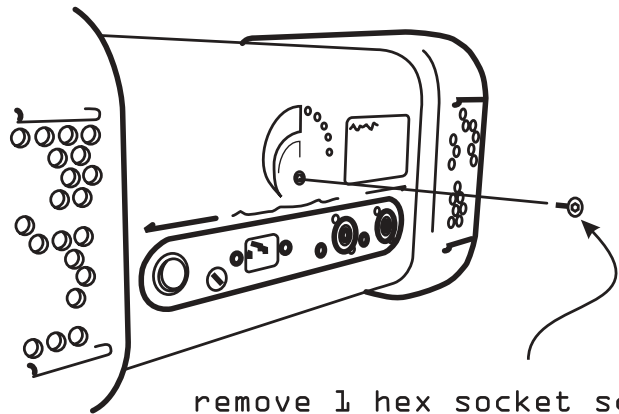


Rackmounting Your GigRac

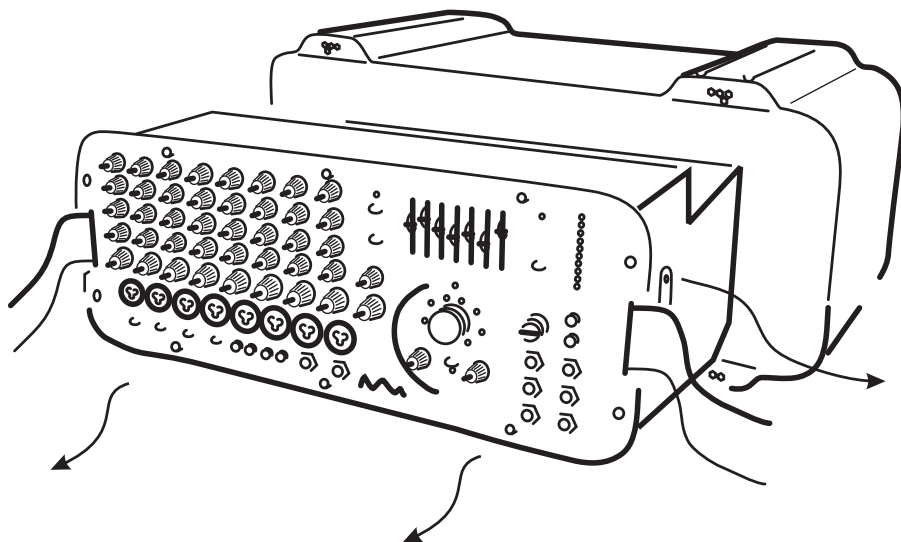
The GigRac 300 or 600 can be rack mounted into a standard 19" rack. This is useful for fixed installations or for applications where the GigRac might need to be installed into a portable 19" rack along with other equipment.



remove 4 rack bolts



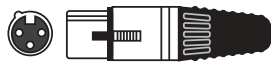
remove 1 hex socket screw



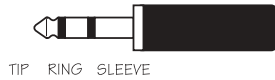
remove gigrac from case.
Remove 4 screws that secure strap to side panels and remove strap.
Gigrac is now ready for rack mounting.

Connectors and Leads

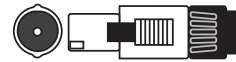
Audio Connectors Used With Gigrac



XLR



3-pole 1/4" (A gauge TRS) jack



Speakon



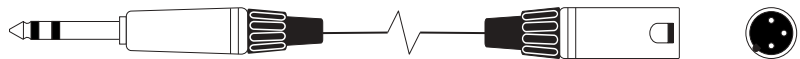
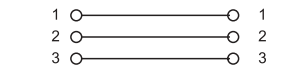
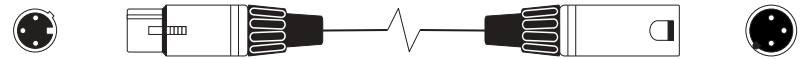
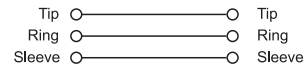
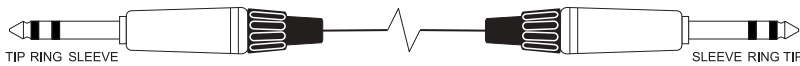
RCA phono



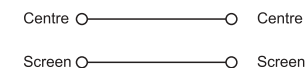
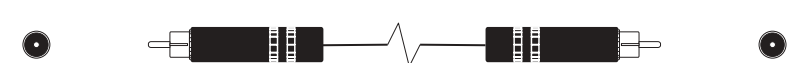
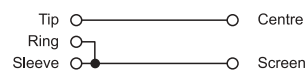
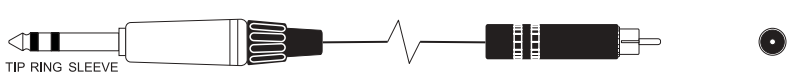
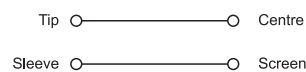
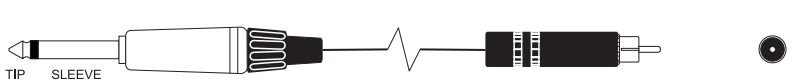
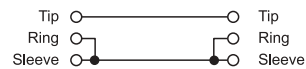
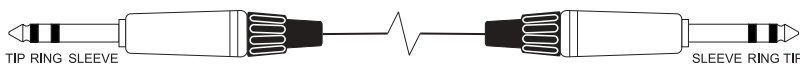
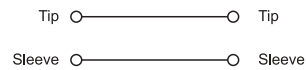
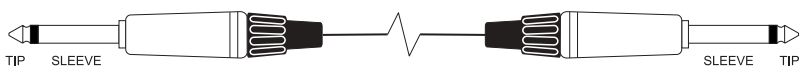
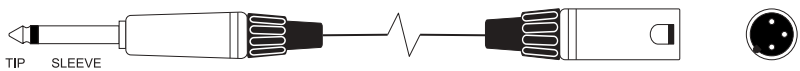
2-pole 1/4" (A gauge TS) jack

Details Of Audio Connecting Leads That You May Wish To Use

Balanced

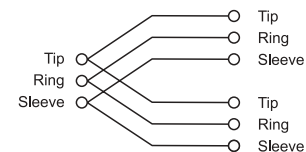
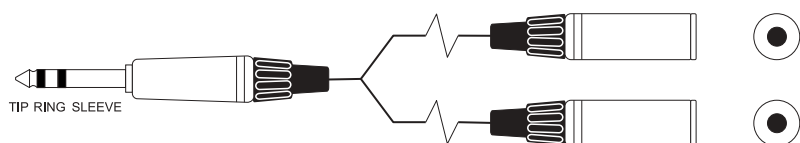


Unbalanced

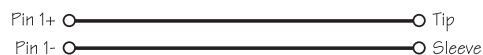
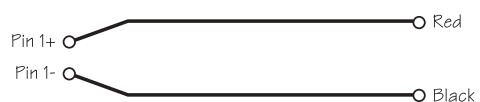
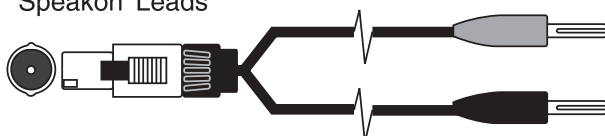


Headphone Separator

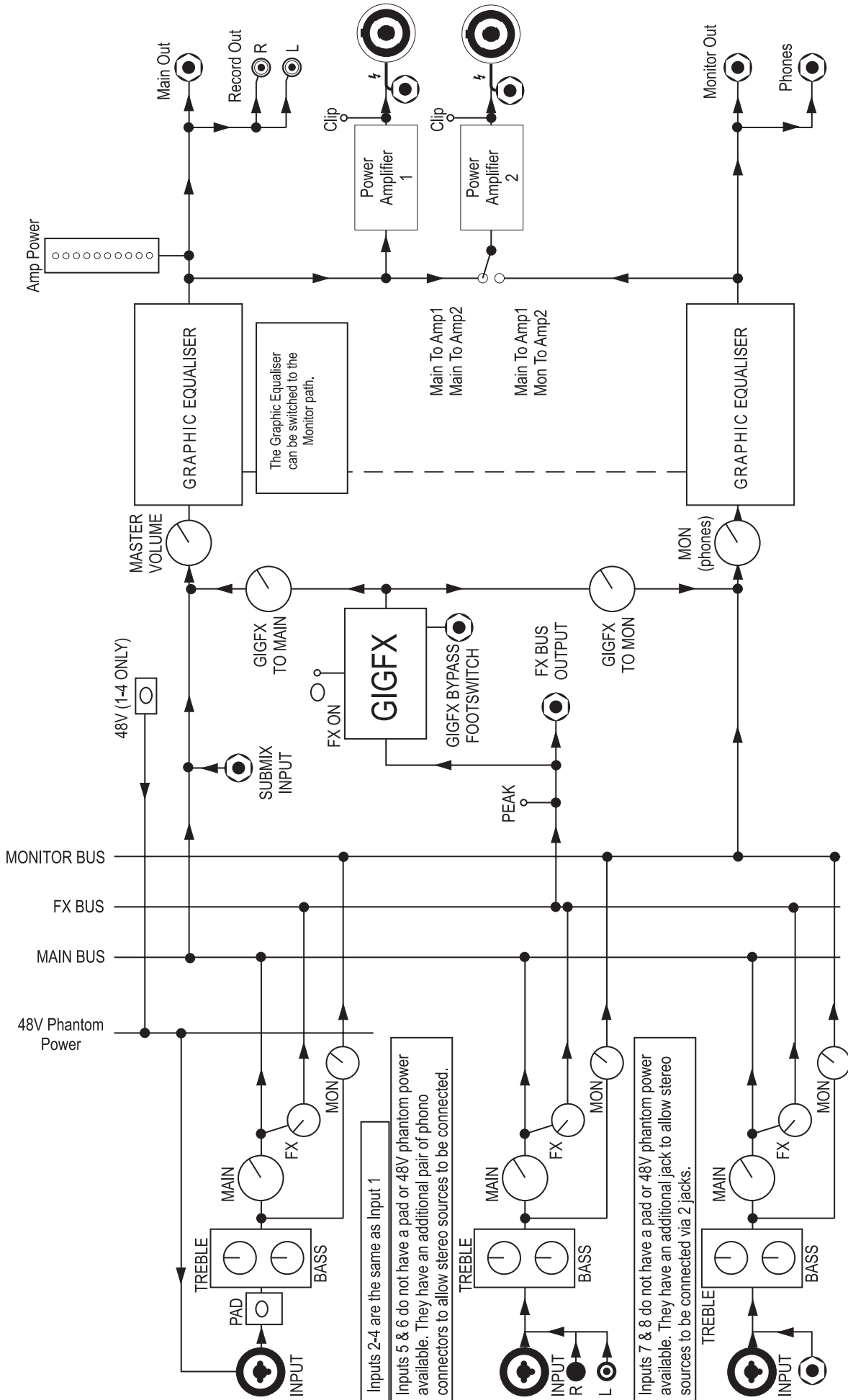
Note: for every doubling of headphones the load impedance is halved. Do not go below 200 ohms (Ω).



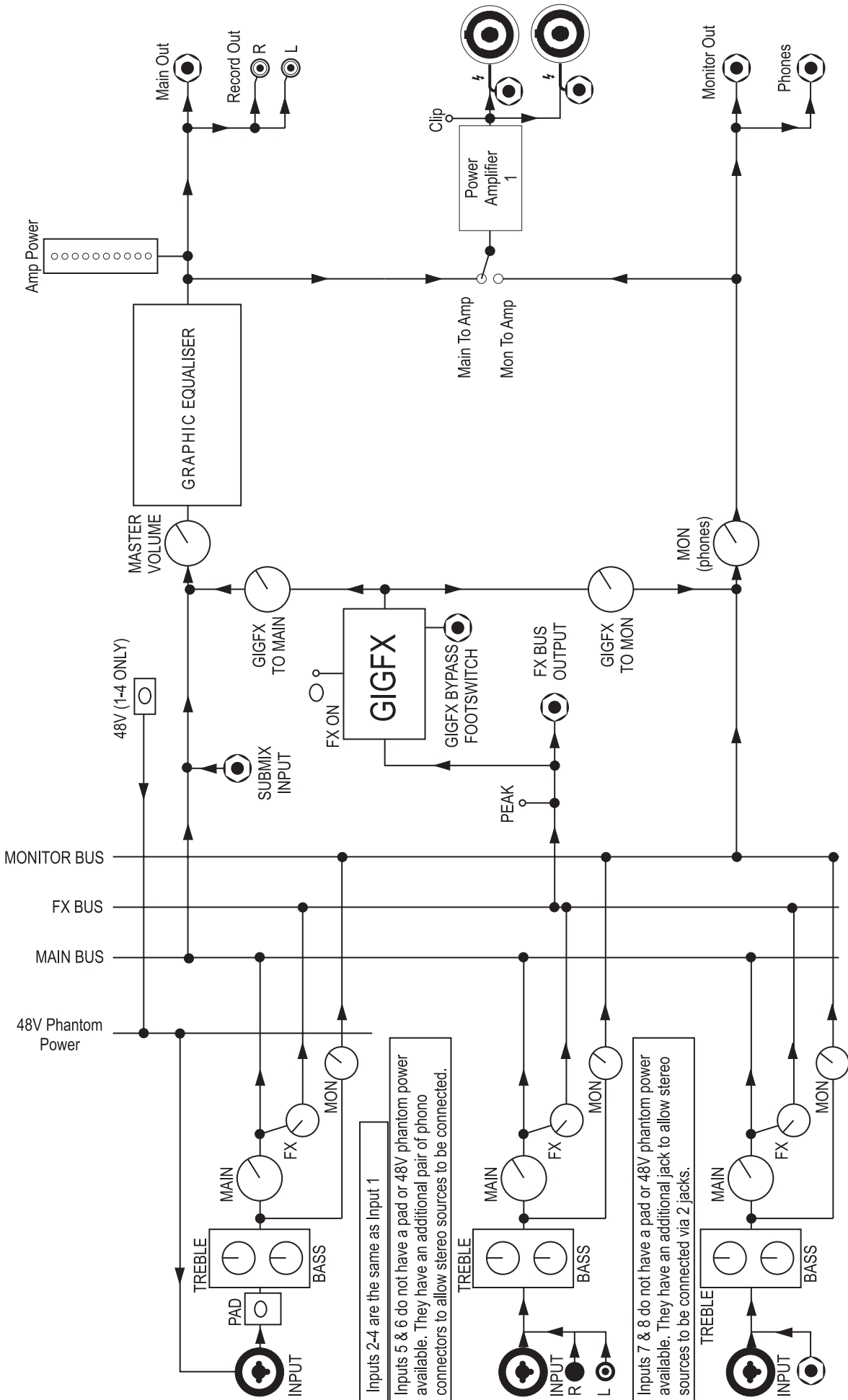
'Speakon' Leads



Block Diagram GigRac 600



Block Diagram GigRac 300



Warranty

- 1 Soundcraft is a trading division of Harman International Industries Ltd .
End User means the person who first puts the equipment into regular operation.
Dealer means the person other than Soundcraft (if any) from whom the End User purchased the Equipment, provided such a person is authorised for this purpose by Soundcraft or its accredited Distributor.
Equipment means the equipment supplied with this manual.
- 2 If within the period of twelve months from the date of delivery of the Equipment to the End User it shall prove defective by reason only of faulty materials and/or workmanship to such an extent that the effectiveness and/or usability thereof is materially affected the Equipment or the defective component should be returned to the Dealer or to Soundcraft and subject to the following conditions the Dealer or Soundcraft will repair or replace the defective components. Any components replaced will become the property of Soundcraft.
- 3 Any Equipment or component returned will be at the risk of the End User whilst in transit (both to and from the Dealer or Soundcraft) and postage must be prepaid.
- 4 This warranty shall only be valid if:
 - a) the Equipment has been properly installed in accordance with instructions contained in Soundcraft's manual; and
 - b) the End User has notified Soundcraft or the Dealer within 14 days of the defect appearing; and
 - c) no persons other than authorised representatives of Soundcraft or the Dealer have effected any replacement of parts maintenance adjustments or repairs to the Equipment; and
 - d) the End User has used the Equipment only for such purposes as Soundcraft recommends, with only such operating supplies as meet Soundcraft's specifications and otherwise in all respects in accordance with Soundcraft's recommendations.
- 5 Defects arising as a result of the following are not covered by this Warranty: faulty or negligent handling, chemical or electro-chemical or electrical influences, accidental damage, Acts of God, neglect, deficiency in electrical power, air-conditioning or humidity control.
- 6 The benefit of this Warranty may not be assigned by the End User.
- 7 End Users who are consumers should note their rights under this Warranty are in addition to and do not affect any other rights to which they may be entitled against the seller of the Equipment.

Gigrac 300 / 600 Specifications

Noise

EIN 150 ohms 20 - 22kHz	-123 dBu
Main out Level control mid	-78 dBu
Mon out Level control mid	-80 dBu
Amp out	-57 dBu

Crosstalk

Main cutoff	-80 dB
Mon cutoff	-80 dB
Frequency Response 20 - 22Khz rel 1kHz Line in to Main out	+0.2/-2.5 dB

THD+N

Mic i/p -20dB Pad 0dBu I/P at Main out (22Hz-22kHz)	0.15 %
Mic i/p to Amp Out @ full power 22-22kHz	0.15%

INPUTS CH1 - CH4

Mic Input Impedance	5.5 kohms
Line Input Impedance	30 kohms
Max Input Mic (20dB pad)	-3.5 dBu
Max Input Line(20dB pad)	10 dBu
Max Mic gain to main out	60 dB

INPUTS CH5 - CH8

Mic Input Impedance	2.4 kohms
Line Input Impedance	40 kohms
Max Input Mic	-18 dBu
Max Input Line	3 dBu
Max Mic gain to main out	50 dB

OUTPUTS

Max out main / mon	18dBu
Power Output Gigrac 300:	300W into 4 ohms
Power Output Gigrac 600:	2 X 300W into 4 ohms

CONNECTORS

(All Jacks are 3 - pole 1/4")
Mic: Balanced XLR combi connectors/ Balanced jack combi connectors
Line: Balanced Jack / combi connectors / Unbalanced RCA phono
FX bus output: Impedance Balanced Jack
Submix in: Unbalanced Jack
Main out: Impedance Balanced Jack
Mon out: Impedance Balanced Jack
Record out: unbalanced RCA phono
Phones: Jack
Speakers: Speakon (pins +1 and -1) and Jack

DIMENSIONS (WITH LID ON)

495mm x 222mm x 322mm (19.5" x 8.75" x 12.7")

WEIGHT

GigRac 300 11.5kg/25lbs
GigRac 600 12.7kg/28lbs

Your Notes:

Circuit Diagrams

S-S2010AS Issue 3
Single Power Amp

S-S2010BS Issue 3
Dual Power Amp

S-S2010CS Issue 5
PSU Board

S-S2010DS Issue 3A
Mixer Board

DRAWING NUMBER ISSUE
S-S2010AS-03



HARMAN INTERNATIONAL
 INDUSTRIES LIMITED
 CRANBORNE HOUSE
 CRANBORNE ROAD
 POTTERS BAR
 HERTS
 EN6 3JN
 Tel 01707 660667
 Fax 01707 660755

TITLE: GIG-RAC SINGLE POWER AMP
 CIRCUIT DIAGRAM

SHEET 1 OF 1

FILENAME: S-S2010AS-03.SCH

DRAWN: BV

DATE: 11/12/02

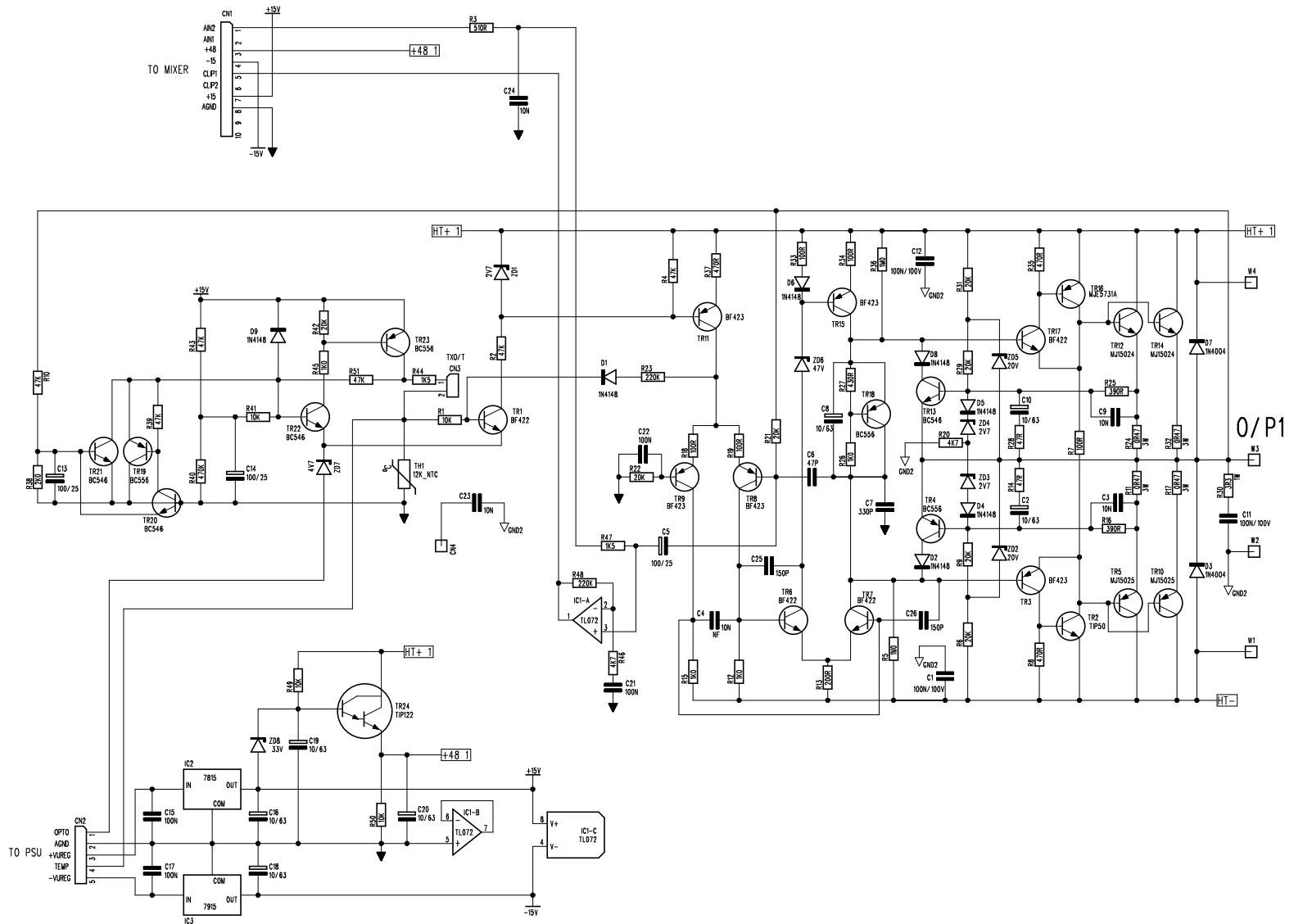
CHECKED:

MATERIAL:

FINISH:

ISSUE COMMENTS:

1. PROTOTYPE RELEASE 12/12/02
2. PRE-PRODUCTION RELEASE 24/06/03
3. PRODUCTION RELEASE 19/08/03



DRAWING NUMBER ISSUE
S-S2010BS-03



HARMAN INTERNATIONAL INDUSTRIES LIMITED
 CRANBORNE HOUSE
 CRANBORNE ROAD
 POTTERS BAR
 HERTS
 EN6 3JN
 Tel 01707 660667
 Fax 01707 660755

TITLE: **GIG-RAC DUAL POWER AMP
 CIRCUIT DIAGRAM**

SHEET 1 OF 1

FILENAME: **S-S2010BS-03.SCH**

DRAWN: **BV**

DATE: **12/12/02**

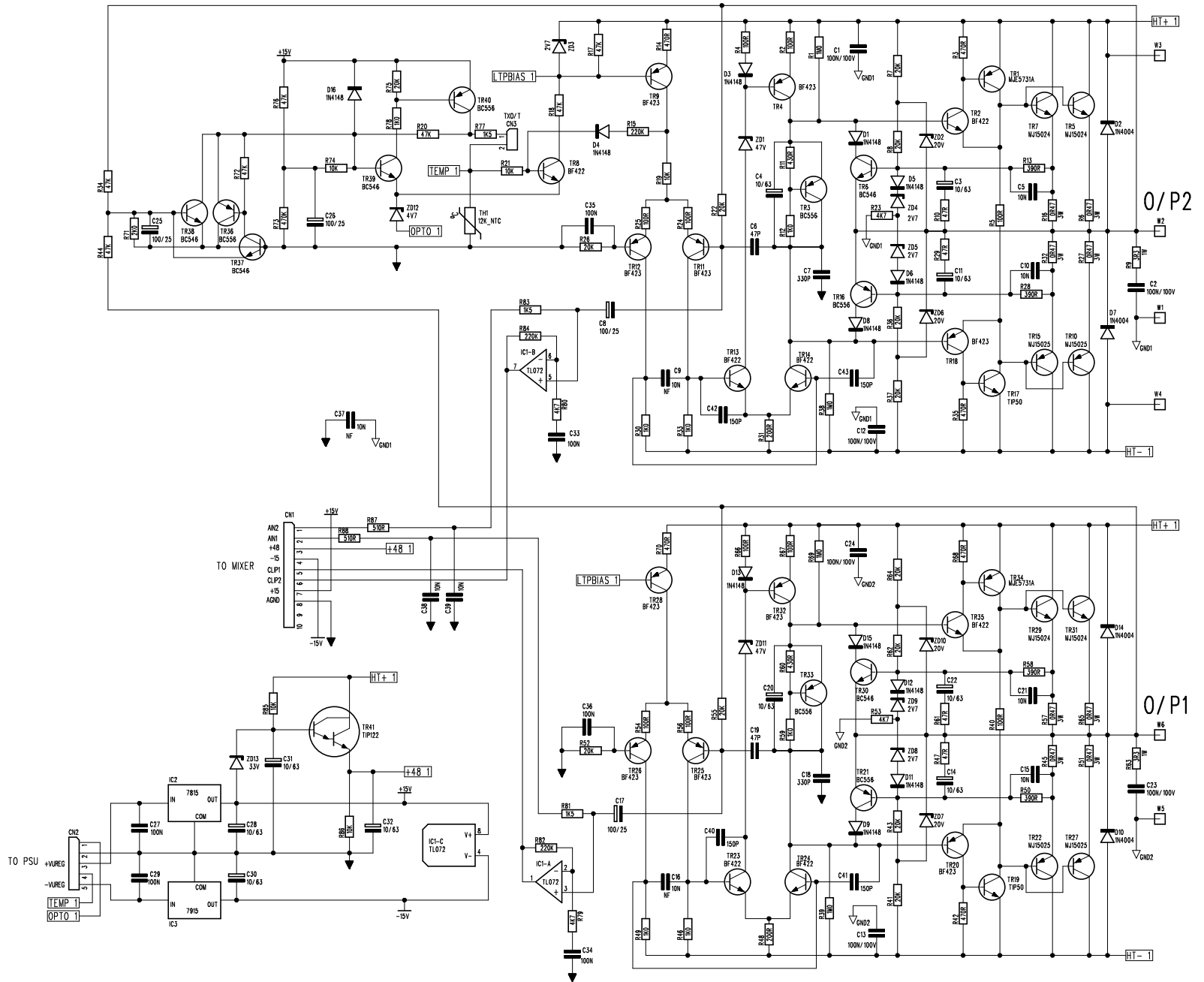
CHECKED:

MATERIAL:

FINISH:

ISSUE COMMENTS:

1. PROTOTYPE RELEASE 12/12/02
2. PRE-PRODUCTION RELEASE 24/06/03
3. PRODUCTION RELEASE 20/08/03



THIS DRAWING IS THE COPYRIGHT OF HARMAN INTERNATIONAL INDUSTRIES LTD.
 ALL REPRODUCTION AND COPYING THEREIN THAT FOR LICENCED MANUFACTURERS
 OWN INTERNAL USE, OR DISCLOSURE OF PART OR WHOLE TO A THIRD PARTY
 WITHOUT PRIOR WRITTEN AUTHORISATION IS IN VIOLATION OF THE COPYRIGHT.

DRAWING NUMBER ISSUE
S-S2010CS-05



HARMAN INTERNATIONAL
 INDUSTRIES LIMITED
 CRANBORNE HOUSE
 CRANBORNE ROAD
 POTTERS BAR
 HERTS
 EN6 3JN
 Tel 01707 660667
 Fax 01707 660755

TITLE: GIG-RAC PSU BOARD
 SHEET 1 OF 1 CIRCUIT DIAGRAM

FILENAME: S-S2010CS-05.SCH

DRAWN: BV

DATE: 12/12/02

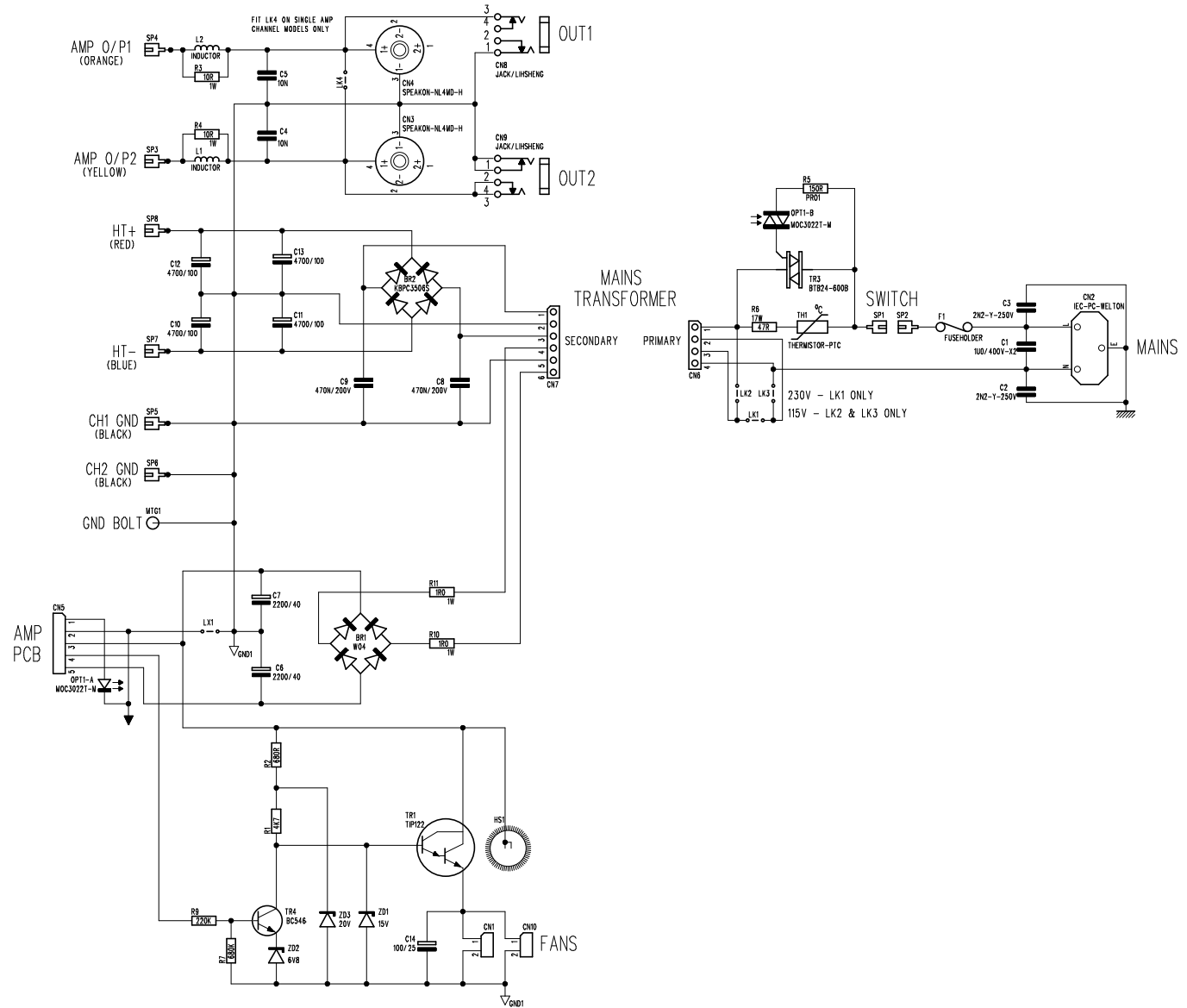
CHECKED:

MATERIAL:

FINISH:

ISSUE COMMENTS:

1. PROTOTYPE RELEASE 12/12/02
2. PRE-PRODUCTION RELEASE 24/06/03
3. PRODUCTION RELEASE 20/08/03
4. ECN0704 23/09/03
5. ECN0725 20/11/03



THIS DRAWING IS THE COPYRIGHT OF HARMAN INTERNATIONAL INDUSTRIES LTD.
 ALL REPRODUCTION AND COPYING THEREIN THAT FOR LICENCED MANUFACTURERS
 OWN INTERNAL USE, OR DISCLOSURE OF PART OR WHOLE TO A THIRD PARTY
 WITHOUT PRIOR WRITTEN AUTHORISATION IS IN VIOLATION OF THE COPYRIGHT.

DRAWING NUMBER ISSUE

S-S2010DS-03A



HARMAR INTERNATIONAL INDUSTRIES LIMITED
CRANBORNE HOUSE
CRANBORNE ROAD
POTTERS BAR
HERTS
EN6 3JN
Tel 01707 660667
Fax 01707 660755

TITLE: GIG-RAC 600 MIXER BOARD
CIRCUIT DIAGRAM

SHEET 4 OF 12

FILENAME: S-S2010DS-03A.SCH

DRAWN: BY

DATE: 12/12/02

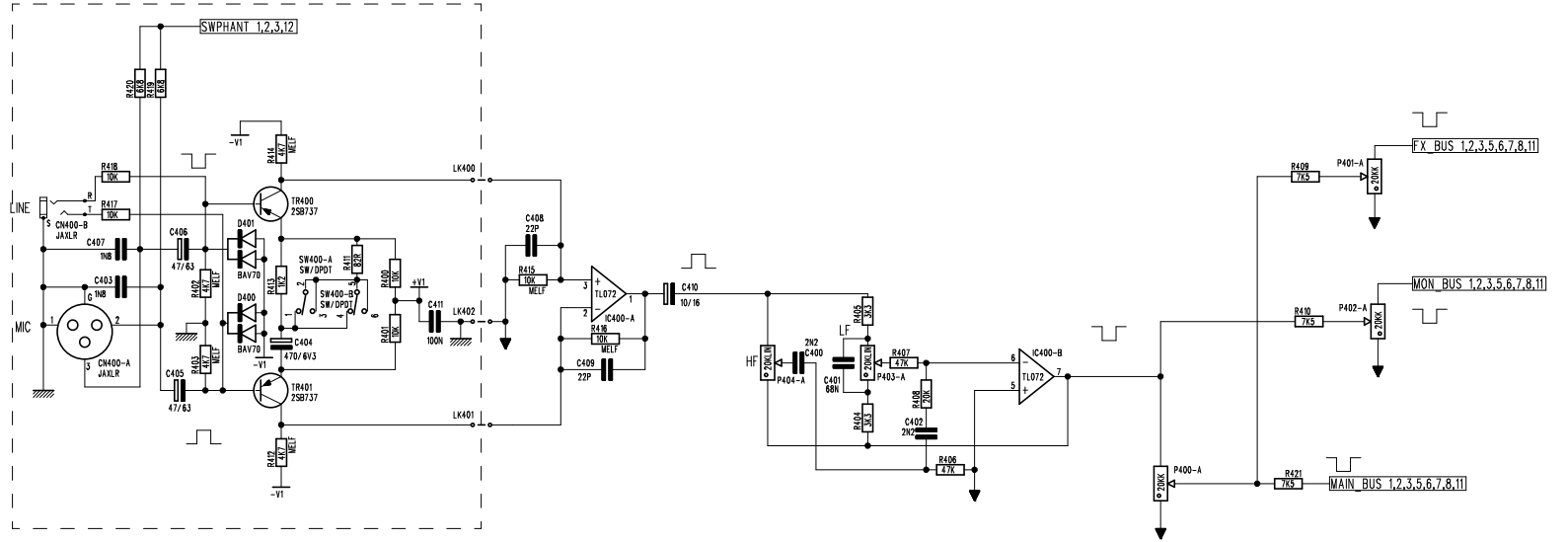
CHECKED:

MATERIAL:

FINISH:

ISSUE COMMENTS:

MIC AMP GAIN
XLR 40dB/20dB
JACK 20dB/0dB



THIS DRAWING IS THE COPYRIGHT OF HARMAR INTERNATIONAL INDUSTRIES LTD.
ALL REPRODUCTION AND COPYING OTHER THAN THAT FOR LICENCED MANUFACTURERS
OWN INTERNAL USE, OR DISCLOSURE OF PART OR WHOLE TO A THIRD PARTY
WITHOUT PRIOR WRITTEN AUTHORISATION IS IN VIOLATION OF THE COPYRIGHT.

DRAWING NUMBER ISSUE

S-S2010DS-03A



HARMAN INTERNATIONAL
INDUSTRIES LIMITED
CRANBORNE HOUSE
CRANBORNE ROAD
POTTERS BAR
HERTS
EN6 3JN
Tel 01707 660667
Fax 01707 660755

TITLE: GIG-RAC 600 MIXER BOARD
 CIRCUIT DIAGRAM

SHEET 5 OF 12

FILENAME: S-S2010DS-03A.SCH

DRAWN: BV

DATE: 12/ 12/ 02

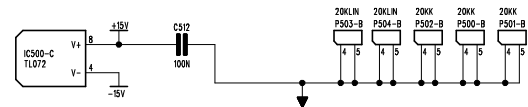
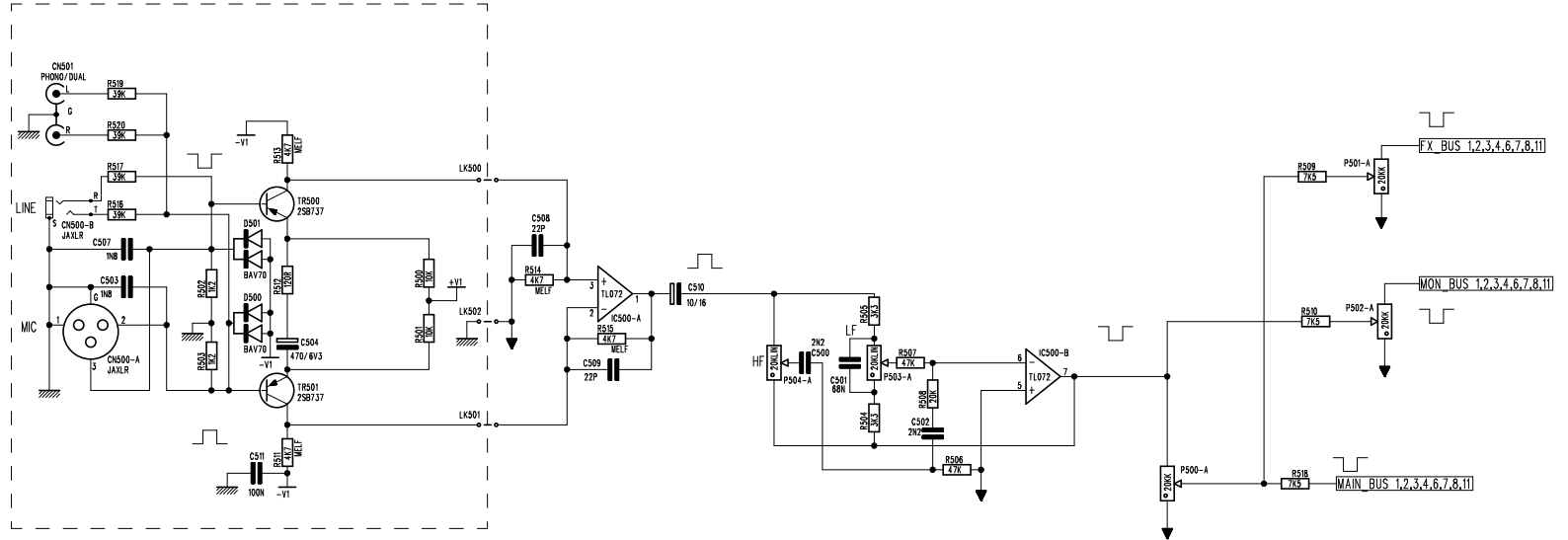
CHECKED:

MATERIAL:

FINISH:

ISSUE COMMENTS:

MIC AMP GAIN
XLR 40dB/20dB
JACK 20dB/0dB



THIS DRAWING IS THE COPYRIGHT OF HARMAN INTERNATIONAL INDUSTRIES LTD.
ALL REPRODUCTION AND COPYING THAN THAT FOR LICENCED MANUFACTURES
OWN INTERNAL USE, OR DISCLOSURE OF PART OR WHOLE TO A THRD PARTY
WITHOUT PRIOR WRITTEN AUTHORISATION IS IN VIOLATION OF THE COPYRIGHT.

DRAWING NUMBER ISSUE

S-S2010DS-03A



HARMAN INTERNATIONAL INDUSTRIES LIMITED
 CRANBORNE HOUSE
 CRANBORNE ROAD
 POTTERS BAR
 HERTS
 EN6 3JN
 Tel 01707 660667
 Fax 01707 660755

TITLE: GIG-RAC 600 MIXER BOARD
 CIRCUIT DIAGRAM

SHEET 6 OF 12

FILENAME: S-S2010DS-03A.SCH

DRAWN: BV

DATE: 12/12/02

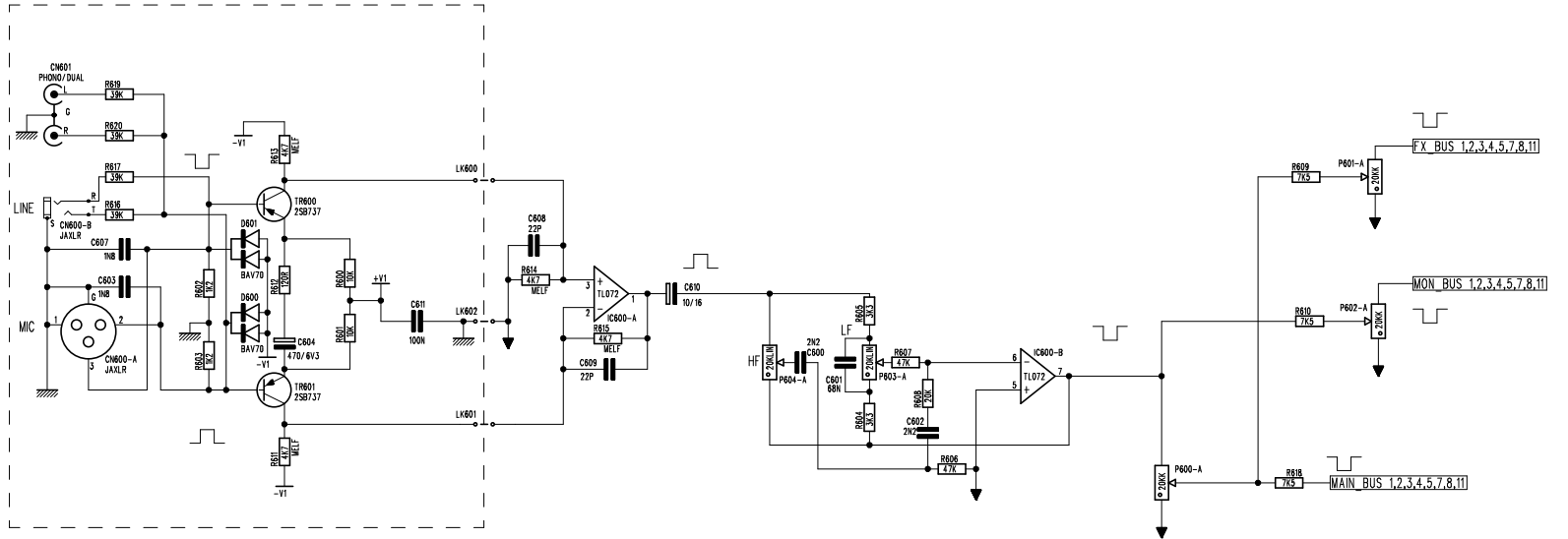
CHECKED:

MATERIAL:

FINISH:

ISSUE COMMENTS:

MIC AMP GAIN
 XLR 40dB/20dB
 JACK 20dB/0dB



THIS DRAWING IS THE COPYRIGHT OF HARMAN INTERNATIONAL INDUSTRIES LTD.
 ALL REPRODUCTION AND COPYING THAN THAT FOR LICENCED MANUFACTURES
 OWN INTERNAL USE, OR DISCLOSURE OF PART OR WHOLE TO A THIRD PARTY
 WITHOUT PRIOR WRITTEN AUTHORISATION IS IN VIOLATION OF THE COPYRIGHT.

DRAWING NUMBER ISSUE
S-S2010DS-03A



HARMAN INTERNATIONAL
 INDUSTRIES LIMITED
 CRANBORNE HOUSE
 CRANBORNE ROAD
 POTTERS BAR
 HERTS
 EN6 3JN
 Tel 01707 660667
 Fax 01707 660755

TITLE: **GIG-RAC 600 MIXER BOARD
 CIRCUIT DIAGRAM**

SHEET 7 OF 12

FILENAME: **S-S2010DS-03A.SCH**

DRAWN: **BV**

DATE: **12/ 12/ 02**

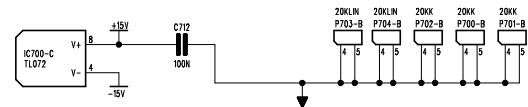
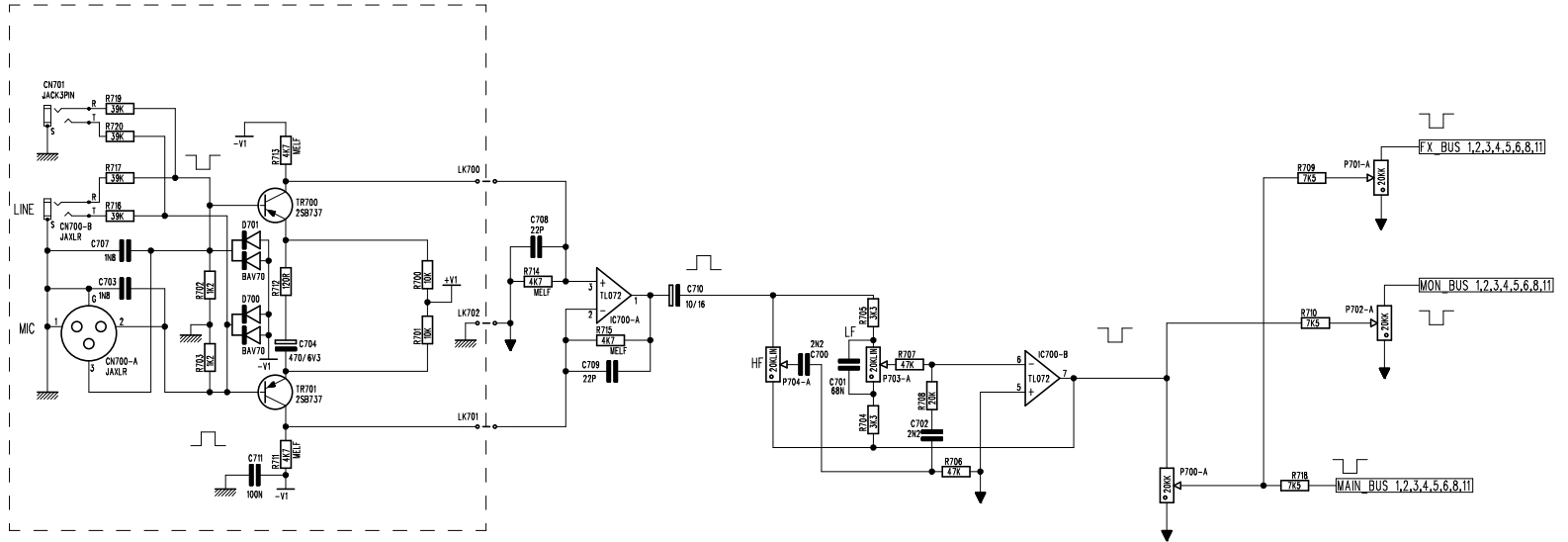
CHECKED:

MATERIAL:

FINISH:

ISSUE COMMENTS:

MIC AMP GAIN
 XLR 40dB/20dB
 JACK 20dB/0dB



THIS DRAWING IS THE COPYRIGHT OF HARMAN INTERNATIONAL INDUSTRIES LTD.
 ALL REPRODUCTION AND COPYING THAN THAT FOR LICENCED MANUFACTURES
 OWN INTERNAL USE, OR DISCLOSURE OF PART OR WHOLE TO A THRD PARTY
 WITHOUT PRIOR WRITTEN AUTHORISATION IS IN VIOLATION OF THE COPYRIGHT.

DRAWING NUMBER ISSUE

S-S2010DS-03A



HARMAN INTERNATIONAL INDUSTRIES LIMITED
CRANBORNE HOUSE
CRANBORNE ROAD
POTTERS BAR
HERTS
EN6 3JN
Tel 01707 660667
Fax 01707 660755

TITLE: GIG-RAC 600 MIXER BOARD
CIRCUIT DIAGRAM

SHEET 8 OF 12

FILENAME: S-S2010DS-03A.SCH

DRAWN: BV

DATE: 12/12/02

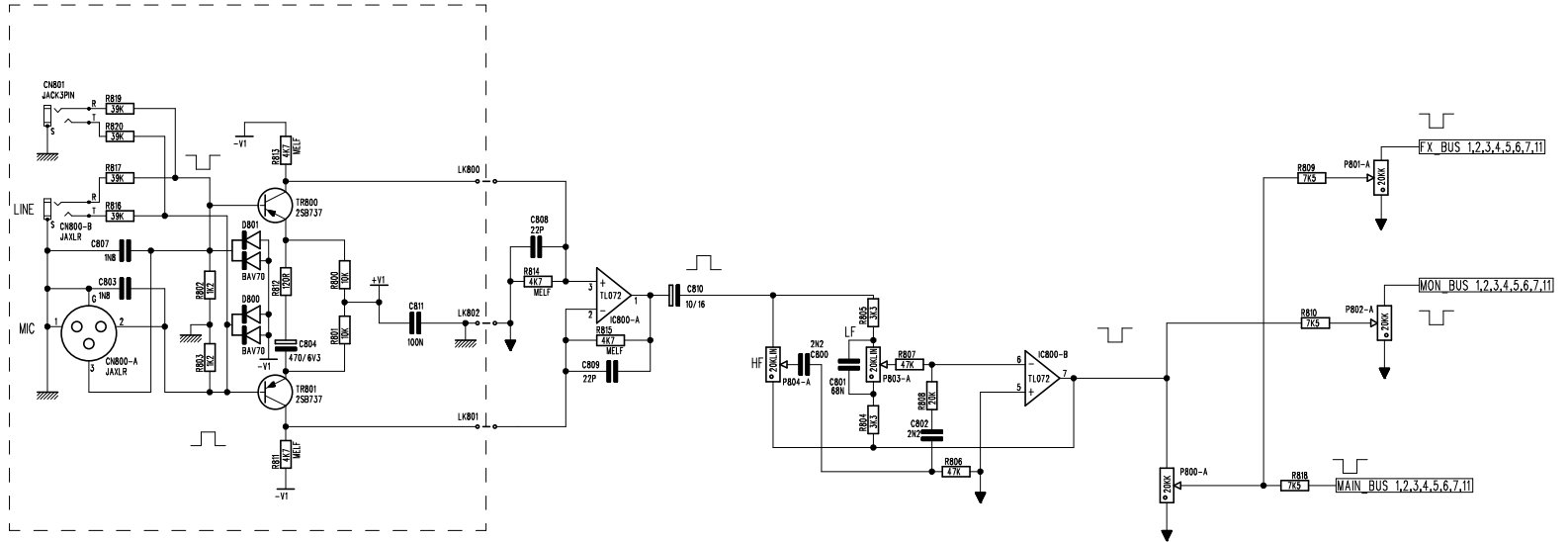
CHECKED:

MATERIAL:

FINISH:

ISSUE COMMENTS:

MIC AMP GAIN
XLR 40dB/20dB
JACK 20dB/0dB



THIS DRAWING IS THE COPYRIGHT OF HARMAN INTERNATIONAL INDUSTRIES LTD.
ALL REPRODUCTION AND COPYING THAN THAT FOR LICENCED MANUFACTURES
OWN INTERNAL USE, OR DISCLOSURE OF PART OR WHOLE TO A THIRD PARTY
WITHOUT PRIOR WRITTEN AUTHORISATION IS IN VIOLATION OF THE COPYRIGHT.

DRAWING NUMBER ISSUE
S-S2010DS-03A



HARMAN INTERNATIONAL
 INDUSTRIES LIMITED
 CRANBORNE HOUSE
 CRANBORNE ROAD
 POTTERS BAR
 HERTS
 EN6 3JN
 Tel 01707 660667
 Fax 01707 660755

TITLE: **GIG-RAC 600 MIXER BOARD
 CIRCUIT DIAGRAM**

SHEET 9 OF 12

FILENAME: **S-S2010DS-03A.SCH**

DRAWN: **BY**

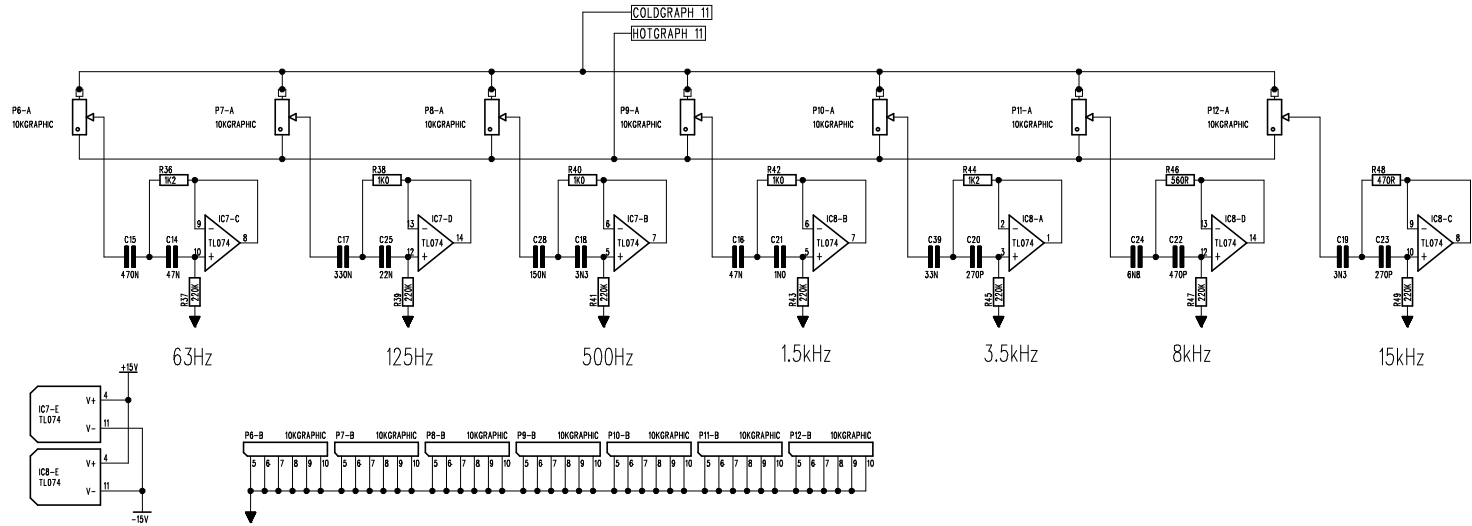
DATE: **12/12/02**

CHECKED:

MATERIAL:

FINISH:

ISSUE COMMENTS:



DRAWING NUMBER ISSUE
S-S2010DS-03A



HARMAN INTERNATIONAL
 INDUSTRIES LIMITED
 CRANBORNE HOUSE
 POTTERS BAR
 HERTS
 EN6 3JN
 Tel 01707 660667
 Fax 01707 660755

TITLE: **GIG-RAC 600 MIXER BOARD**
 CIRCUIT DIAGRAM

SHEET 10 OF 12

FILENAME: **S-S2010DS-03A.SCH**

DRAWN: **BY**

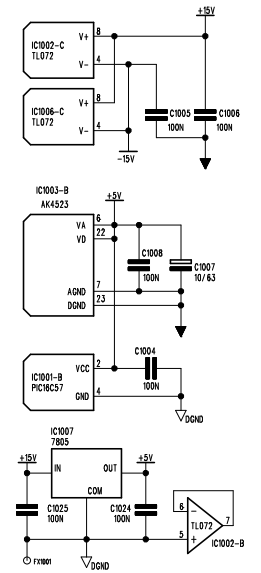
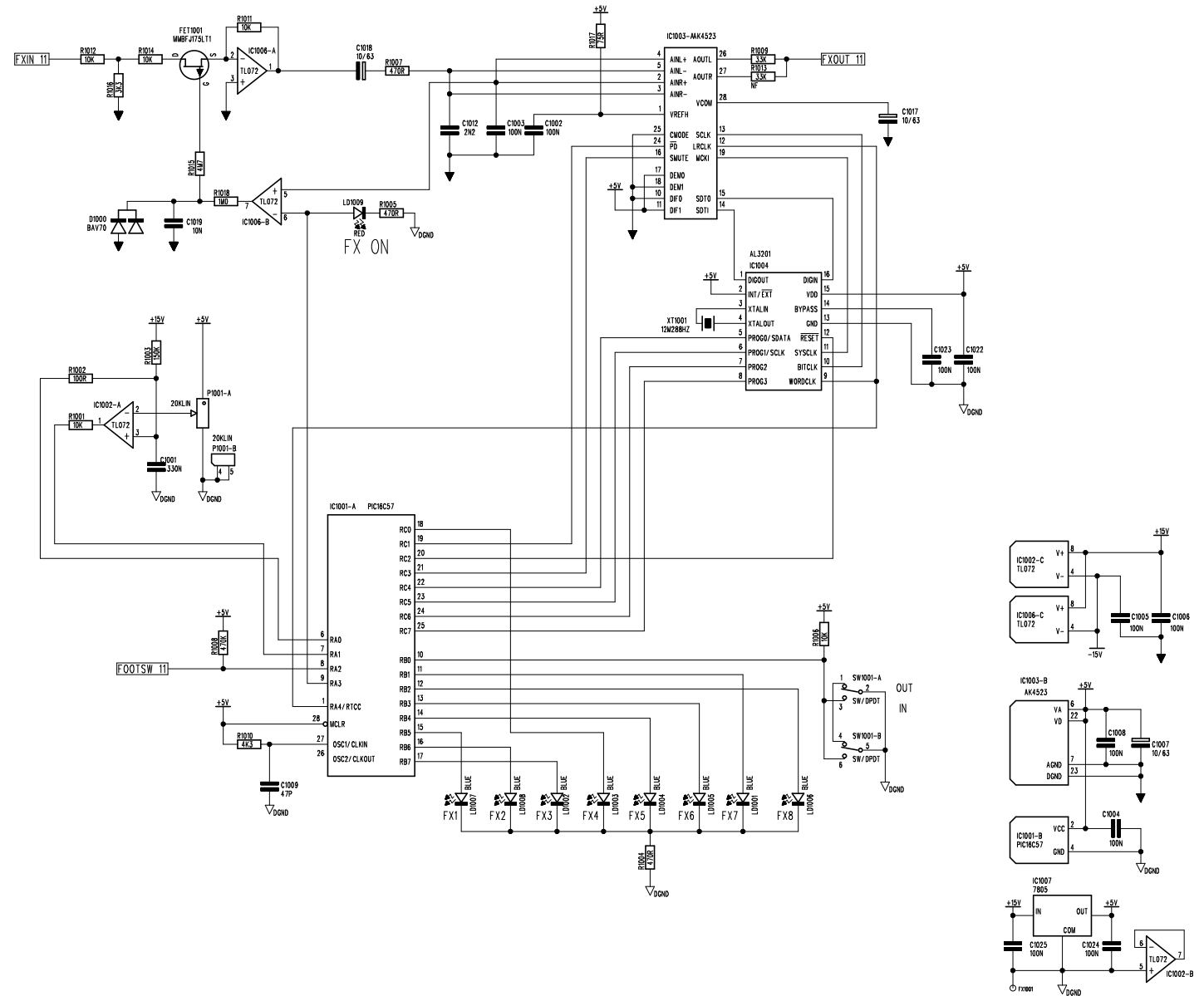
DATE: **12/12/02**

CHECKED:

MATERIAL:

FINISH:

ISSUE COMMENTS:



THIS DRAWING IS THE COPYRIGHT OF HARMAN INTERNATIONAL INDUSTRIES LTD.
 ALL REPRODUCTION AND COPYING THAN THAT FOR LICENCED MANUFACTURERS
 OWN INTERNAL USE, OR DISCLOSURE OF PART OR WHOLE TO A THIRD PARTY
 WITHOUT PRIOR WRITTEN AUTHORISATION IS IN VIOLATION OF THE COPYRIGHT.

DRAWING NUMBER ISSUE
S-S2010DS-03A



HARMAN INTERNATIONAL
 INDUSTRIES LIMITED
 CRANBORNE HOUSE
 CRANBORNE ROAD
 POTTERS BAR
 HERTS
 EN6 3JN
 Tel 01707 660667
 Fax 01707 660755

TITLE: GIG-RAC 600 MIXER BOARD
 CIRCUIT DIAGRAM

SHEET 11 OF 12

FILENAME: S-S2010DS-03A.SCH

DRAWN: BV

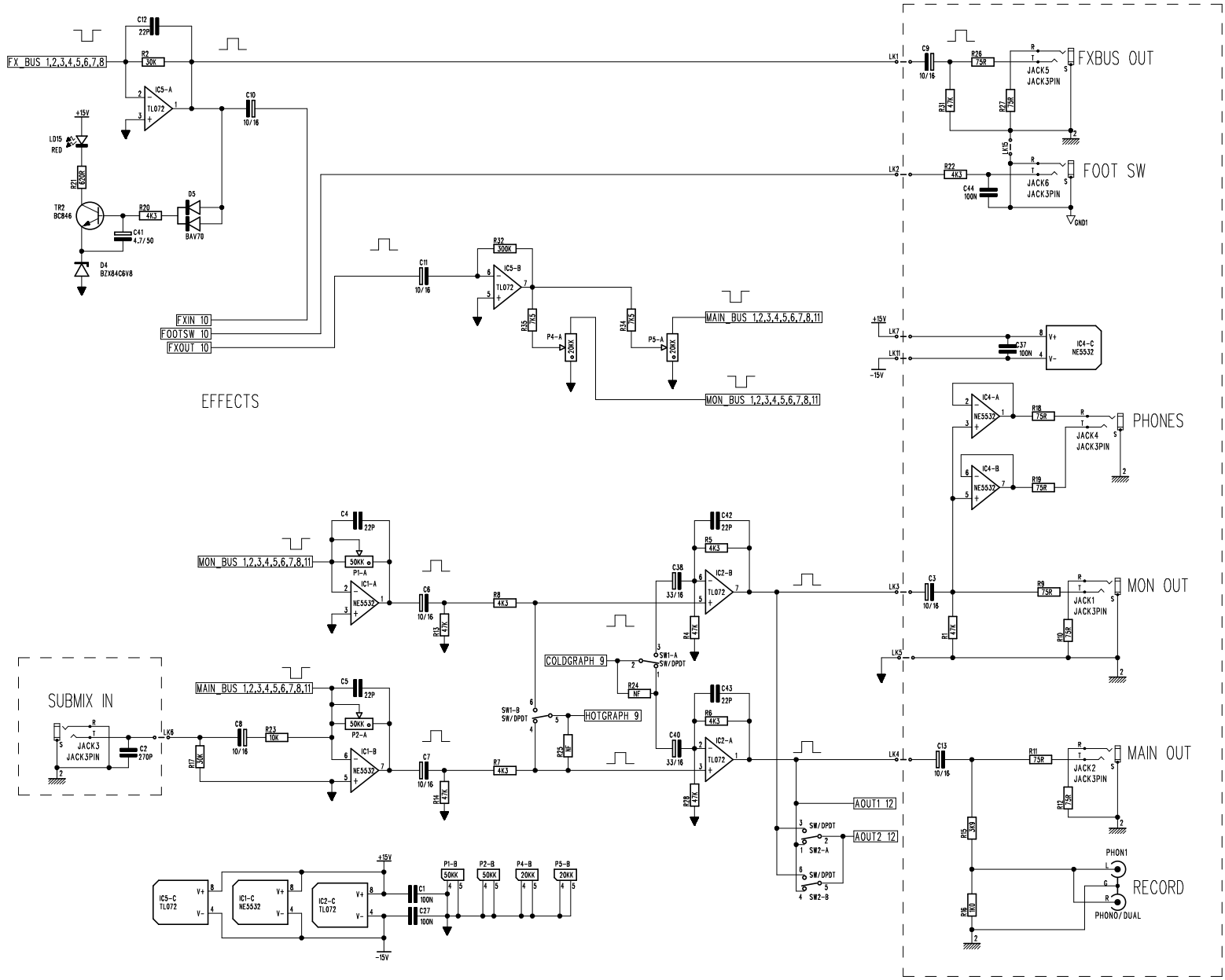
DATE: 12/12/02

CHECKED:

MATERIAL:

FINISH:

ISSUE COMMENTS:



THIS DRAWING IS THE COPYRIGHT OF HARMAN INTERNATIONAL INDUSTRIES LTD.
 ALL REPRODUCTION AND COPYING THAN THAT FOR LICENCED MANUFACTURERS
 OWN INTERNAL USE, OR DISCLOSURE OF PART OR WHOLE TO A THIRD PARTY
 WITHOUT PRIOR WRITTEN AUTHORISATION IS IN VIOLATION OF THE COPYRIGHT.

DRAWING NUMBER ISSUE

S-S2010DS-03A



HARMAN INTERNATIONAL
INDUSTRIES LIMITED
CRANBORNE HOUSE
CRANBORNE ROAD
POTTERS BAR
HERTS
EN6 3JN
Tel 01707 660667
Fax 01707 660755

TITLE: GIG-RAC 600 MIXER BOARD
CIRCUIT DIAGRAM

SHEET 12 OF 12

FILENAME: S-S2010DS-03A.SCH

DRAWN: BY

DATE: 12/12/02

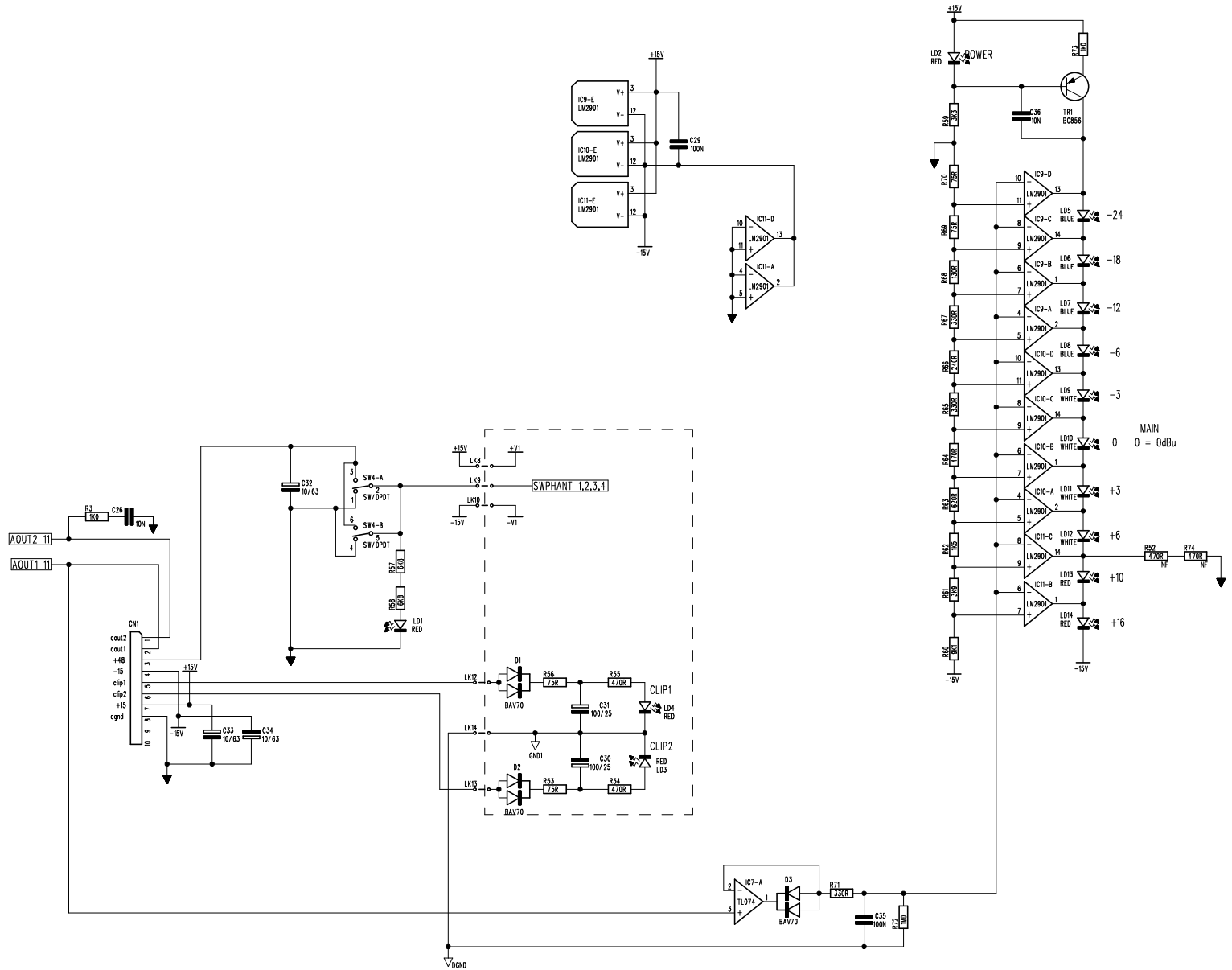
CHECKED:

MATERIAL:

FINISH:

ISSUE COMMENTS:

THIS DRAWING IS THE COPYRIGHT OF HARMAN INTERNATIONAL INDUSTRIES LTD.
ALL REPRODUCTION AND COPYING THAN THAT FOR LICENCED MANUFACTURERS
OWN INTERNAL USE, OR DISCLOSURE OF PART OR WHOLE TO A THIRD PARTY
WITHOUT PRIOR WRITTEN AUTHORISATION IS IN VIOLATION OF THE COPYRIGHT.



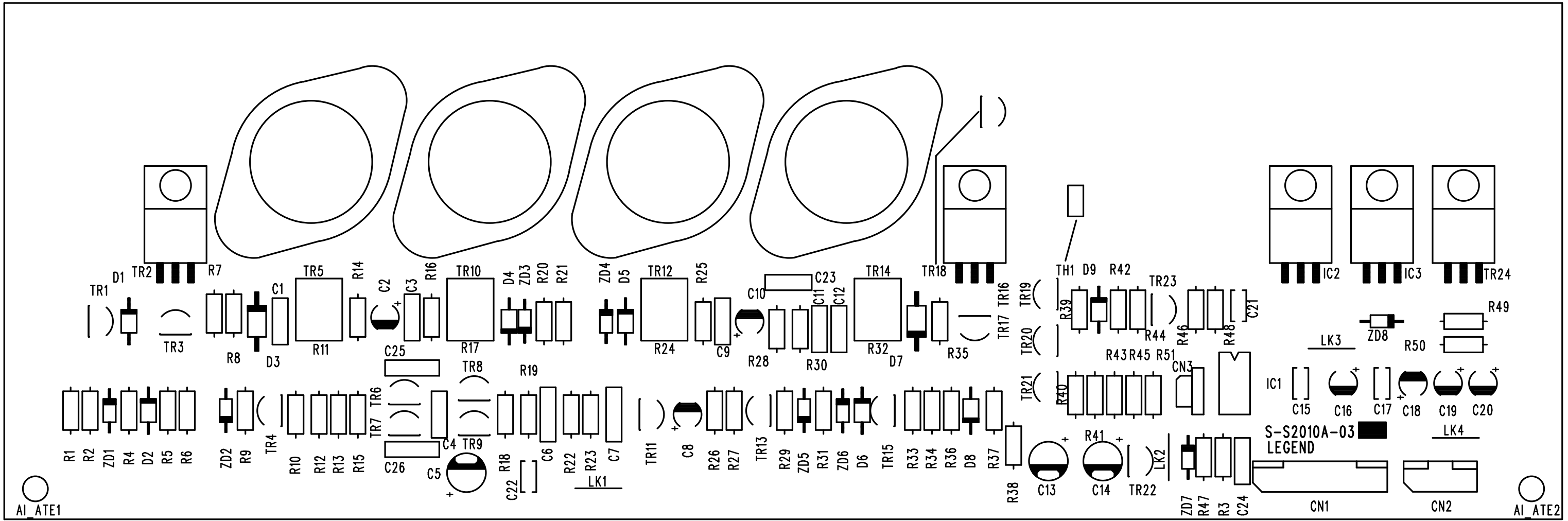
PCB Layouts

S-S2010A Issue 3
Single Power Amp

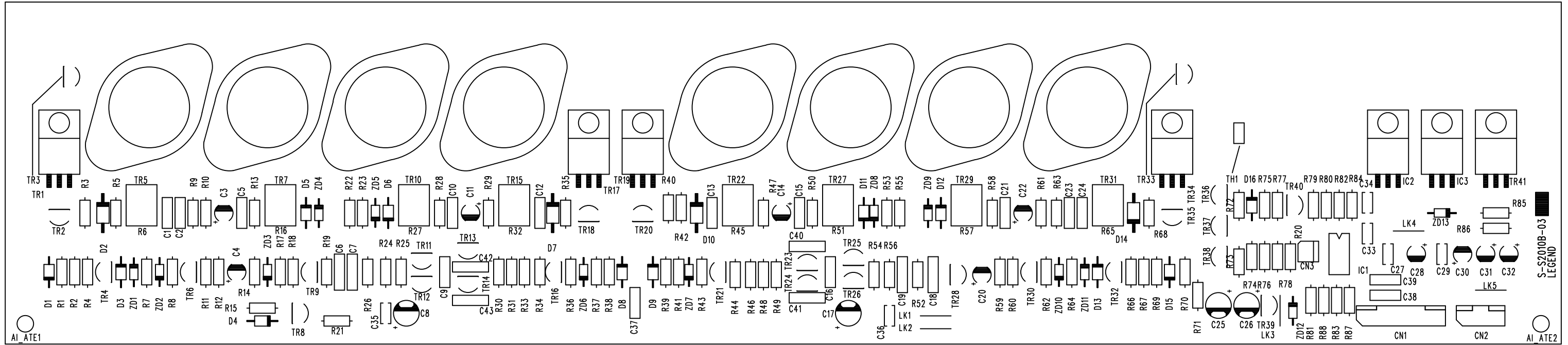
S-S2010B Issue 3
Dual Power Amp

S-S2010C Issue 4
PSU Board

S-S2010D Issue 3
Mixer Board



NR02



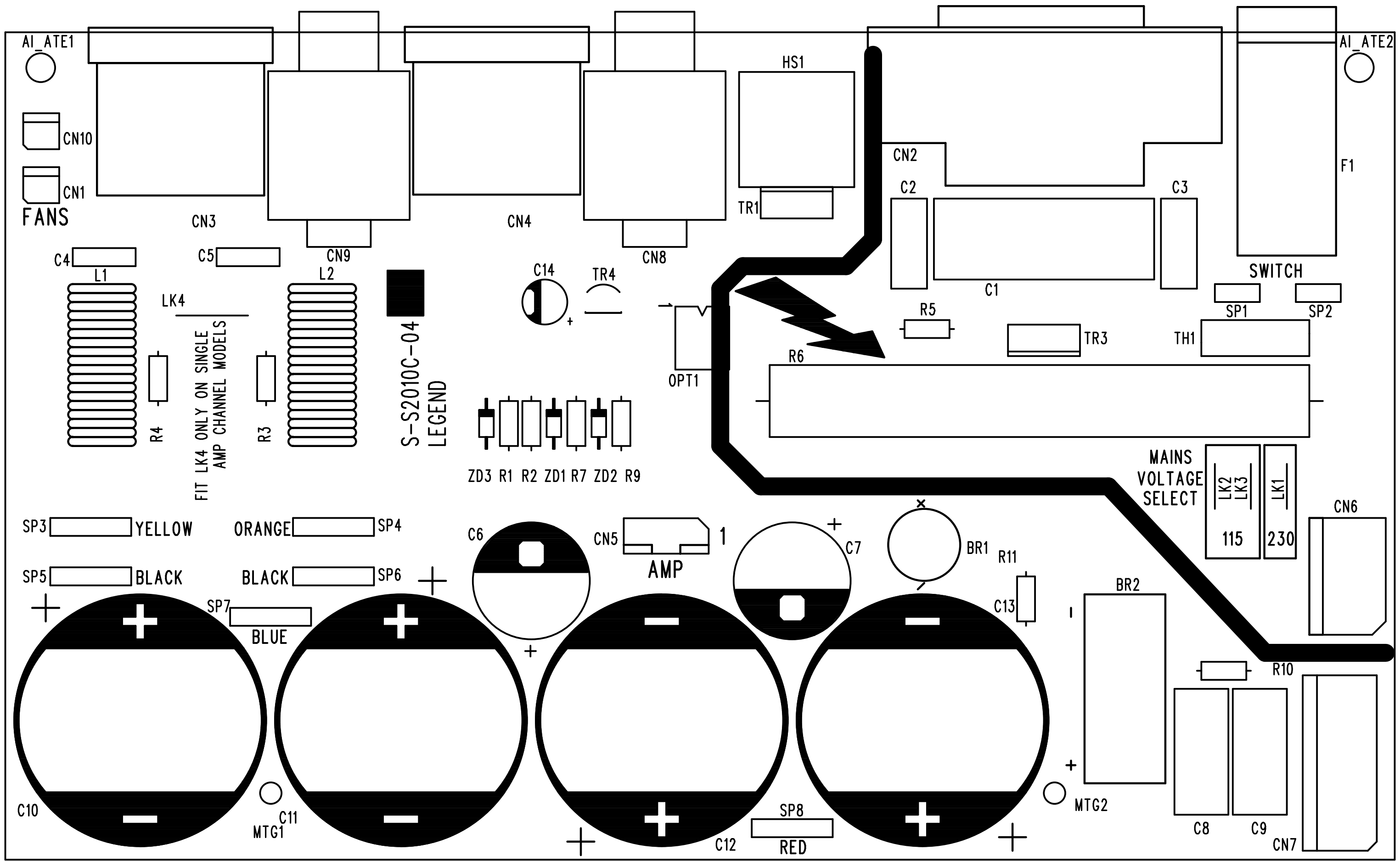
ATE3 ATE4

ATE5

S-S2010B-03
LEGEND

AI_ATE1

AI_ATE2



AI_ATE1

AI_ATE2

CN10

CN1

FANS

CN3

CN4

HS1

F1

CN2

C2

C3

SWITCH

C4

C5

CN9

CN8

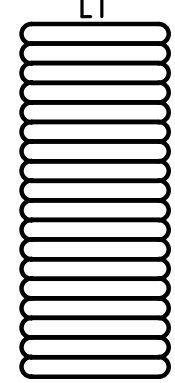
C14

TR4

C1

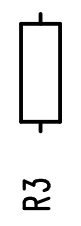
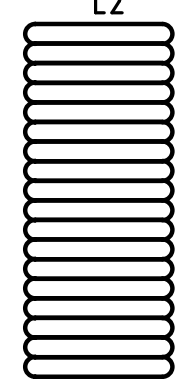
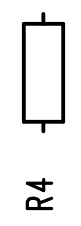
SP1

SP2



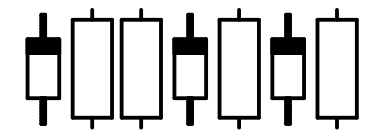
LK4

FIT LK4 ONLY ON SINGLE AMP CHANNEL MODELS



S-S2010C-04

LEGEND

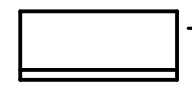
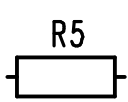


ZD3 R1 R2 ZD1 R7 ZD2 R9



OPT1

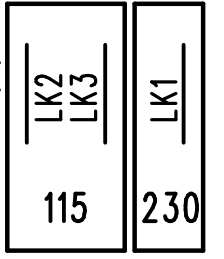
R6



TR3

TH1

MAINS VOLTAGE SELECT



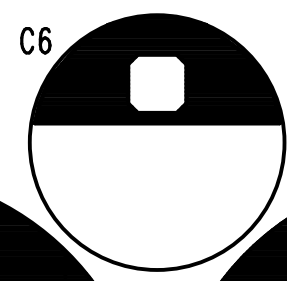
SP3 YELLOW

ORANGE SP4

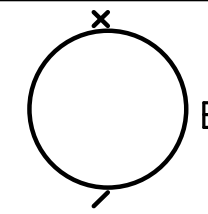
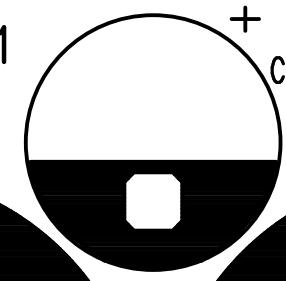
SP5 BLACK

BLACK SP6

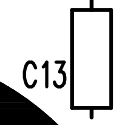
SP7 BLUE



CN5 AMP

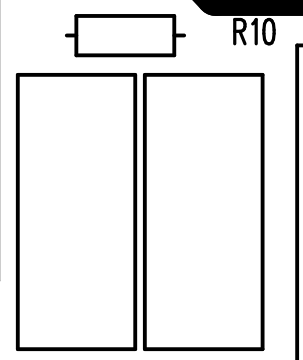
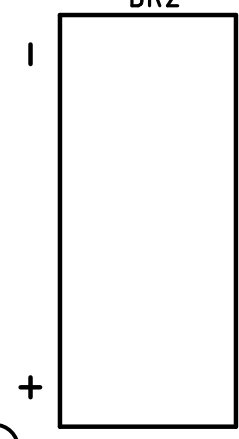
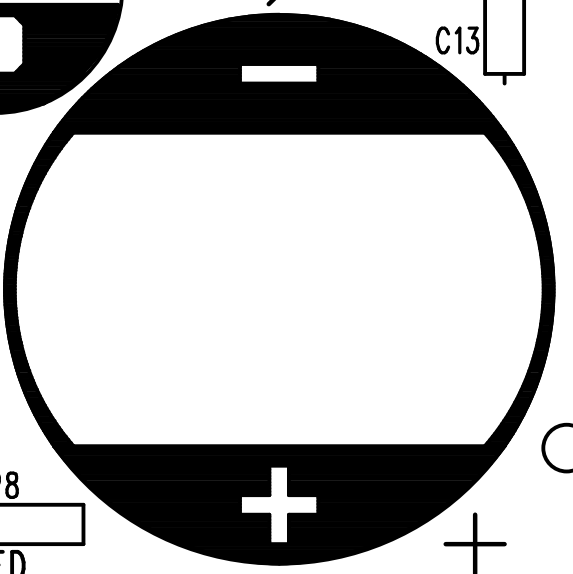
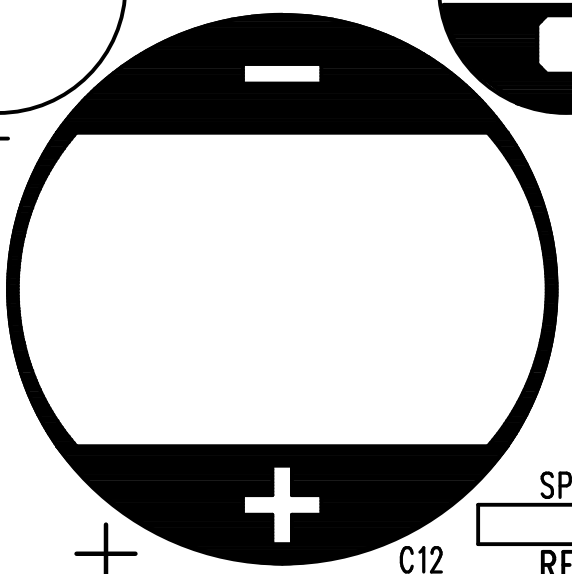
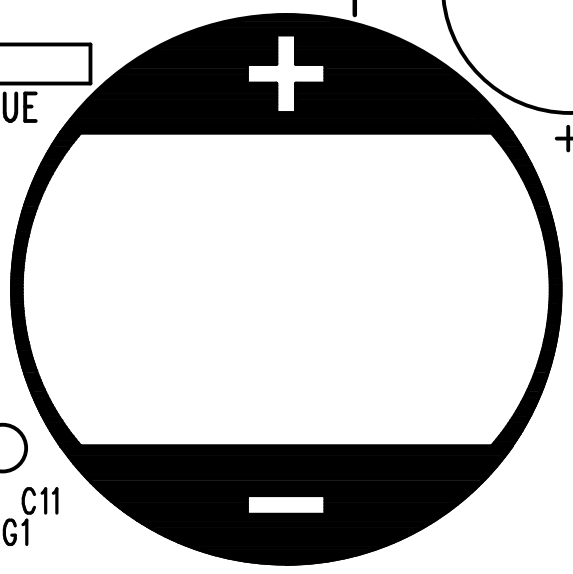
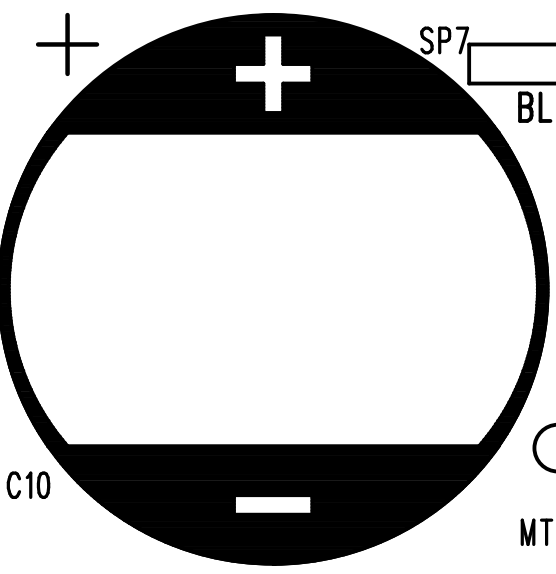


BR1 R11



BR2

CN6



C8

C9

CN7

C10

MTG1

C11

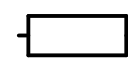
C12

C12

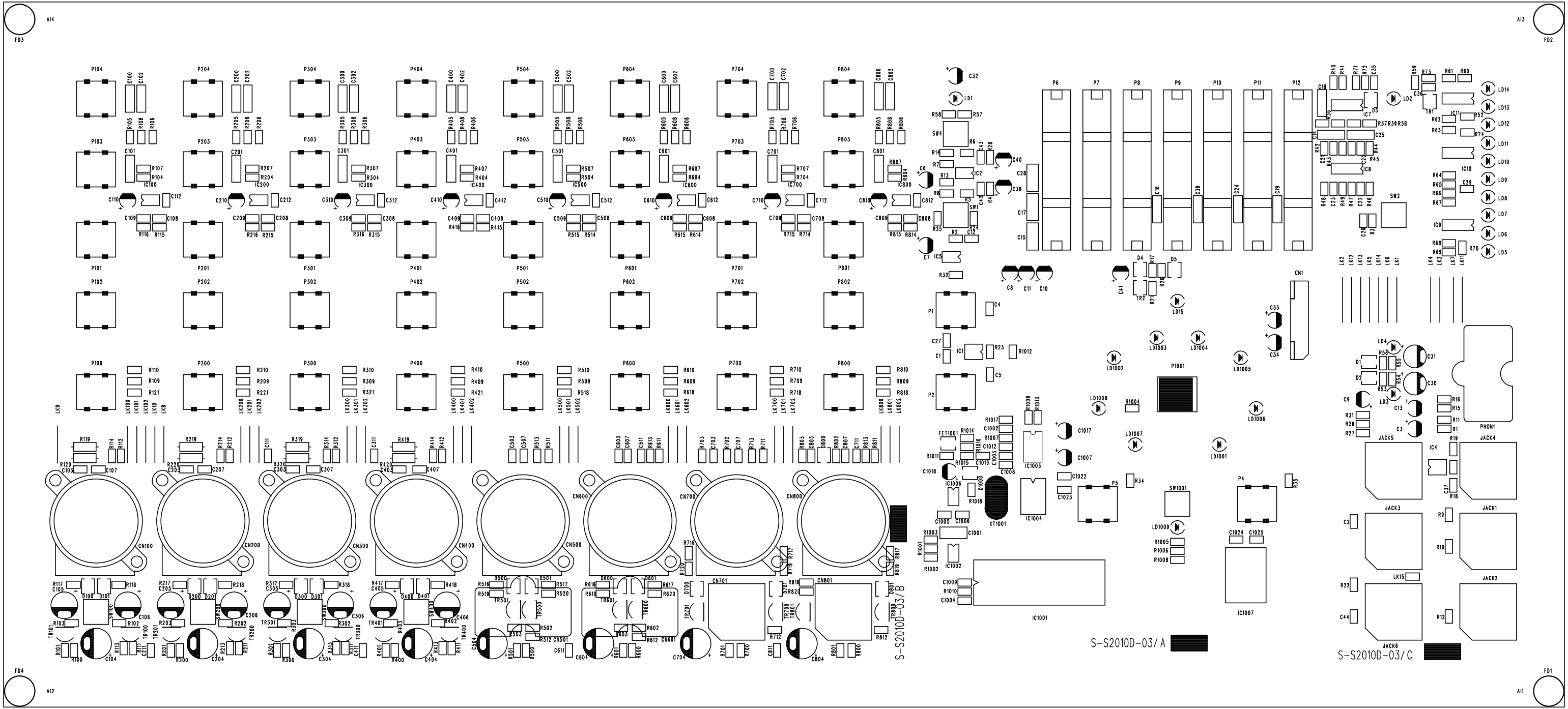
SP8

RED

MTG2



R10



A14

A13

FD3

FD2

LK9

S-S2010D-03/B

S-S2010D-03/A

S-S2010D-03/C

FD4

A12

FD1

A11

GIGRAC 300/600 Spare Parts

CONTENTS

CONSOLES	3
GIGRAC GR300 EU/UK	RW5671EK 3
GIGRAC GR300 US	RW5671US 3
GIGRAC GR600 EU/UK	RW5672EK 3
GIGRAC GR600 US	RW5672US 3
MAIN ASSEMBLIES	4
GR300 PSU PCB ASSY. 230V	R-S2010CA-04-AF 4
GR600 PSU PCB ASSY. 230V	R-S2010CB-04-AF 4
GR300 PSU PCB ASSY. 115V	R-S2010CC-04-AF 5
GR600 PSU PCB ASSY. 115V	R-S2010CD-04-AF 6
GIGRAC ASSY.	RW5671 7
GIGRAC ASSY.	RW5672 7
SWITCH TOPS, FADER TOPS AND KNOBS	9
FADERS	10
MODULES AND FRAME PCBS	11
SINGLE AMP PCB ASSY.	R-S2010A-03-AF 11
DUAL AMPLIFIER PCB ASSY.	R-S2010B-03-AF 12
GR300 MIXER PCB ASSY. AF	R-S2010DA-03-AF 15
GR600 MIXER PCB ASSY.	R-S2010DB-03-AF 18
PCBS	22
GR300 MIXER PCB ASSY. SM	R-S2010DA-03-SM 22
GR600 MIXER PCB ASSY. SM	R-S2010DB-03-SM 27
MISCELLANEOUS HARDWARE	33

CONSOLES

GIGRAC GR300 EU/UK

Description Part Number
!LEAD 10A IEC-UK 13A PLUGFSD
!LEAD 10A IEC SCHUKO PLUG
LABEL-230V CONNECTOR-GR300
GR300 PSU PCB ASSY.230V
GIGRAC ASSY.

GIGRAC GR300 US

Description Part Number
!LEAD 10A IEC US 3PIN PLGG
LABEL-115V CONNECTOR-GR300
GR300 PSU PCB ASSY. 115V
GIGRAC ASSY.

GIGRAC GR600 EU/UK

Description Part Number
!LEAD 10A IEC-UK 13A PLUGFSD
!LEAD 10A IEC SCHUKO PLUG
LABEL-230V CONNECTOR-GR600
GR600 PSU PCB ASSY. 230V
GIGRAC ASSY.

GIGRAC GR600 US

Description Part Number
!LEAD 10A IEC US 3PIN PLGG
LABEL-115V CONNECTOR-GR600
GR600 PSU PCB ASSY.115V
GIGRAC ASSY.

RW5671EK

FJ8043
FJ8044
P-S2010S-03
R-S2010CA-04-AF
RW5671

RW5671US

FJ8045
P-S2010T-03
R-S2010CC-04-AF
RW5671

RW5672EK

FJ8043
FJ8044
P-S2010U-03
R-S2010CB-04-AF
RW5672

RW5672US

FJ8045
P-S2010V-03
R-S2010CD-04-AF
RW5672

MAIN ASSEMBLIES

GR300 PSU PCB ASSY.230V

Ident	Description	Part Number
---	WIREFORM EARTH GIGRAC E	L-S2010C-01
---	PCB GR300 PSU	S-S2010C-04
BR1	DIODE BRIDGE 1.5A 400V W04	BC0217
BR2	BRIDGE REC 35A 600V	BC10004
C1	(Safety Critical Part)! CAP 275V 1UF X2 XC09-	CX10000
C2	(Safety Critical Part)! POLYPROPYLENE 2200PF 250VAC (C	CC0288
C3	(Safety Critical Part)! POLYPROPYLENE 2200PF 250VAC (C	CC0288
C5	CAP CER ML 10N 100V 5MM	CA0027
C6	CAP ELEC RAD 2200UF 35V SKR	CE0443
C7	CAP ELEC RAD 2200UF 35V SKR	CE0443
C8	470N 200V POLYPROP CAP. CC100	CC10080
C9	470N 200V POLYPROP CAP. CC100	CC10080
C11	CAP ELEC VERT 4700 100V LPW	CE0467
C12	CAP ELEC VERT 4700 100V LPW	CE0467
C14	CAP ELEC VERT 100UF 25V SKP	CE0446
CN1	2WY 0.1 ST&F/L CONN HDR CA-CO	FF10046
CN2	(Safety Critical Part)! PCB IEC INLET PX0580-PC	FJ0874
CN3	SPEAKON ML HORIZ PCB	FK0991
CN4	SPEAKON ML HORIZ PCB	FK0991
CN5	5WY 2MM VERT ML HDR CHINA	FF10097
CN6	4WY HDR.0.156 ML LATCH	FF10091
CN7	6WY HDR 0.156 ML LATCH	FF10092
CN8	JACK SKT MONO SW HORIZ	FH10005
CN9	JACK SKT MONO SW HORIZ	FH10005
CN10	2WY 0.1 ST&F/L CONN HDR CA-CO	FF10046
F1	(Safety Critical Part)! FUSEHOLDER 10A 250V PCB MTG	ZD0332
F1	(Safety Critical Part)! FUZE 3.15 AMP SLOW T CA-EL	ZD10012
HS1	HEATSINK THERMALLOY MANF	PN10006
L2	CHOKE 15 TURN MEDIUM CA-EL	HC10004
OPT1	(Safety Critical Part)! OPTO TRIAC MOC3022T-M	BD10049
R1	MF 0.25W RES 1% 4K7 BL	AP1365
R2	MF 0.25W RES 1% 680R BL	AP1345
R3	MF 1W RES 5% 10R PRO1	AE0100
R5	MF 1W RES 5% 150R PRO1	AE0151
R6	RES 47R 5% 17W XA02-	AM10001
R7	MF 0.25W RES 1% 680K BL	AP1417
R9	MF 0.25W RES 1% 220K BL	AP1405
R10	MF 1W RES 5% 1R0	AE0010
R11	MF 1W RES 5% 1R0	AE0010
SP1	SPADE TAB VERT PC 0.125C	FF10022
SP2	SPADE TAB VERT PC 0.125C	FF10022
SP3	1/4" PC MNTNG BLADE VERT	FF0676
SP4	1/4" PC MNTNG BLADE VERT	FF0676
SP5	1/4" PC MNTNG BLADE VERT	FF0676
SP6	1/4" PC MNTNG BLADE VERT	FF0676
SP7	1/4" PC MNTNG BLADE VERT	FF0676
SP8	1/4" PC MNTNG BLADE VERT	FF0676
TH1	(Safety Critical Part)! THERMISTOR MAIN VOLTAGE CA-DB	BZ10002
TR1	TRANS TIP122 TO220 XE01-	BD10026
TR3	TRIAC TO220 BTB24-600B	BD10050
TR4	TRANSISTOR BC546BT NPN TAPED	BD0394R
ZD1	ZENER DIODE 500MV 15V CA-DB	BB10005
ZD2	ZENER DIODE 500MW 6V8 CA-DB	BB10009
ZD3	ZENER DIODE 400MW 20V XD03-	BB10001

R-S2010CA-04-AF

GR600 PSU PCB ASSY. 230V

Ident	Description	Part Number
---	WIREFORM EARTH GIGRAC E	L-S2010C-01
---	PCB GR300 PSU	S-S2010C-04
BR1	DIODE BRIDGE 1.5A 400V W04	BC0217
BR2	BRIDGE REC 35A 600V	BC10004
C1	(Safety Critical Part)! CAP 275V 1UF X2 XC09-	CX10000
C2	(Safety Critical Part)! POLYPROPYLENE 2200PF 250VAC (C	CC0288
C3	(Safety Critical Part)! POLYPROPYLENE 2200PF 250VAC (C	CC0288

R-S2010CB-04-AF

C4	CAP CER ML 10N 100V 5MM	CA0027
C5	CAP CER ML 10N 100V 5MM	CA0027
C6	CAP ELEC RAD 2200UF 35V SKR	CE0443
C7	CAP ELEC RAD 2200UF 35V SKR	CE0443
C8	470N 200V POLYPROP CAP. CC100	CC10080
C9	470N 200V POLYPROP CAP. CC100	CC10080
C10	CAP ELEC VERT 4700 100V LPW	CE0467
C11	CAP ELEC VERT 4700 100V LPW	CE0467
C12	CAP ELEC VERT 4700 100V LPW	CE0467
C13	CAP ELEC VERT 4700 100V LPW	CE0467
C14	CAP ELEC VERT 100UF 25V SKP	CE0446
CN1	2WY 0.1 ST&F/L CONN HDR CA-CO	FF10046
CN2	(Safety Critical Part)! PCB IEC INLET PX0580-PC	FJ0874
CN3	SPEAKON ML HORIZ PCB	FK0991
CN4	SPEAKON ML HORIZ PCB	FK0991
CN5	5WY 2MM VERT ML HDR CHINA	FF10097
CN6	4WY HDR.0.156 ML LATCH	FF10091
CN7	6WY HDR 0.156 ML LATCH	FF10092
CN8	JACK SKT MONO SW HORIZ	FH10005
CN9	JACK SKT MONO SW HORIZ	FH10005
CN10	2WY 0.1 ST&F/L CONN HDR CA-CO	FF10046
F1	(Safety Critical Part)! FUSEHOLDER 10A 250V PCB MTG	ZD0332
F1	(Safety Critical Part)! FUSE 5 AMP S/D SLOW T CA-EL	ZD10013
L1	CHOKE 15 TURN MEDIUM CA-EL	HC10004
L2	CHOKE 15 TURN MEDIUM CA-EL	HC10004
OPT1	(Safety Critical Part)! OPTO TRIAC MOC3022T-M	BD10049
R1	MF 0.25W RES 1% 4K7 BL	API365
R2	MF 0.25W RES 1% 680R BL	API345
R3	MF 1W RES 5% 10R PRO1	AE0100
R4	MF 1W RES 5% 10R PRO1	AE0100
R5	MF 1W RES 5% 150R PRO1	AE0151
R6	RES 47R 5% 17W XA02-	AM10001
R7	MF 0.25W RES 1% 680K BL	API417
R9	MF 0.25W RES 1% 220K BL	API405
R10	MF 1W RES 5% 1R0	AE0010
R11	MF 1W RES 5% 1R0	AE0010
SP1	SPADE TAB VERT PC 0.125C	FF10022
SP2	SPADE TAB VERT PC 0.125C	FF10022
SP3	1/4" PC MNTNG BLADE VERT	FF0676
SP4	1/4" PC MNTNG BLADE VERT	FF0676
SP5	1/4" PC MNTNG BLADE VERT	FF0676
SP6	1/4" PC MNTNG BLADE VERT	FF0676
SP7	1/4" PC MNTNG BLADE VERT	FF0676
SP8	1/4" PC MNTNG BLADE VERT	FF0676
TH1	(Safety Critical Part)! THERMISTOR MAIN VOLTAGE CA-DB	BZ10002
TR1	TRANS TIP122 TO220 XE01-	BD10026
TR3	TRIAC TO220 BTB24-600B	BD10050
TR4	TRANSISTOR BC546BT NPN TAPED	BD0394R
ZD1	ZENER DIODE 500MV 15V CA-DB	BB10005
ZD2	ZENER DIODE 500MW 6V8 CA-DB	BB10009
ZD3	ZENER DIODE 400MW 20V XD03-	BB10001

GR300 PSU PCB ASSY. 115V

Ident	Description	Part Number
---	WIREFORM EARTH GIGRAC E	L-S2010C-01
---	PCB GR300 PSU	S-S2010C-04
BR1	DIODE BRIDGE 1.5A 400V W04	BC0217
BR2	BRIDGE REC 35A 600V	BC10004
C1	(Safety Critical Part)! CAP 275V 1UF X2 XC09-	CX10000
C2	(Safety Critical Part)! POLYPROPYLENE 2200PF 250VAC (C	CC0288
C3	(Safety Critical Part)! POLYPROPYLENE 2200PF 250VAC (C	CC0288
C5	CAP CER ML 10N 100V 5MM	CA0027
C6	CAP ELEC RAD 2200UF 35V SKR	CE0443
C7	CAP ELEC RAD 2200UF 35V SKR	CE0443
C8	470N 200V POLYPROP CAP. CC100	CC10080
C9	470N 200V POLYPROP CAP. CC100	CC10080
C11	CAP ELEC VERT 4700 100V LPW	CE0467
C12	CAP ELEC VERT 4700 100V LPW	CE0467
C14	CAP ELEC VERT 100UF 25V SKP	CE0446
CN1	2WY 0.1 ST&F/L CONN HDR CA-CO	FF10046
CN2	(Safety Critical Part)! PCB IEC INLET PX0580-PC	FJ0874
CN3	SPEAKON ML HORIZ PCB	FK0991

R-S2010CC-04-AF

CN4	SPEAKON ML HORIZ PCB	FK0991
CN5	5WY 2MM VERT ML HDR CHINA	FF10097
CN6	4WY HDR.0.156 ML LATCH	FF10091
CN7	6WY HDR 0.156 ML LATCH	FF10092
CN8	JACK SKT MONO SW HORIZ	FH10005
CN9	JACK SKT MONO SW HORIZ	FH10005
CN10	2WY 0.1 ST&F/L CONN HDR CA-CO	FF10046
F1	(Safety Critical Part)! FUSEHOLDER 10A 250V PCB MTG	ZD0332
F1	(Safety Critical Part)! FUSE 6.3 AMP S/D SLOW T CA-EL	ZD10014
L2	CHOKE 15 TURN MEDIUM CA-EL	HC10004
OPT1	(Safety Critical Part)! OPTO TRIAC MOC3022T-M	BD10049
R1	MF 0.25W RES 1% 4K7 BL	API365
R2	MF 0.25W RES 1% 680R BL	API345
R3	MF 1W RES 5% 10R PRO1	AE0100
R5	MF 1W RES 5% 150R PRO1	AE0151
R6	RES 47R 5% 17W XA02-	AM10001
R7	MF 0.25W RES 1% 680K BL	API417
R9	MF 0.25W RES 1% 220K BL	API405
R10	MF 1W RES 5% 1R0	AE0010
R11	MF 1W RES 5% 1R0	AE0010
SP1	SPADE TAB VERT PC 0.125C	FF10022
SP2	SPADE TAB VERT PC 0.125C	FF10022
SP3	1/4" PC MNTNG BLADE VERT	FF0676
SP4	1/4" PC MNTNG BLADE VERT	FF0676
SP5	1/4" PC MNTNG BLADE VERT	FF0676
SP6	1/4" PC MNTNG BLADE VERT	FF0676
SP7	1/4" PC MNTNG BLADE VERT	FF0676
SP8	1/4" PC MNTNG BLADE VERT	FF0676
TH1	(Safety Critical Part)! THERMISTOR MAIN VOLTAGE CA-DB	BZ10002
TR1	TRANS TIP22 TO220 XE01-	BD10026
TR3	TRIAC TO220 BTB24-600B	BD10050
TR4	TRANSISTOR BC546BT NPN TAPED	BD0394R
ZD1	ZENER DIODE 500MV 15V CA-DB	BB10005
ZD2	ZENER DIODE 500MW 6V8 CA-DB	BB10009
ZD3	ZENER DIODE 400MW 20V XD03-	BB10001

GR600 PSU PCB ASSY. I 15V

Ident	Description	Part Number
---	WIREFORM EARTH GIGRAC E	L-S2010C-01
---	PCB GR300 PSU	S-S2010C-04
BR1	DIODE BRIDGE 1.5A 400V W04	BC0217
BR2	BRIDGE REC 35A 600V	BC10004
C1	(Safety Critical Part)! CAP 275V 1UF X2 XC09-	CX10000
C2	(Safety Critical Part)! POLYPROPYLENE 2200PF 250VAC (C	CC0288
C3	(Safety Critical Part)! POLYPROPYLENE 2200PF 250VAC (C	CC0288
C4	CAP CER ML 10N 100V 5MM	CA0027
C5	CAP CER ML 10N 100V 5MM	CA0027
C6	CAP ELEC RAD 2200UF 35V SKR	CE0443
C7	CAP ELEC RAD 2200UF 35V SKR	CE0443
C8	470N 200V POLYPROP CAP. CC100	CC10080
C9	470N 200V POLYPROP CAP. CC100	CC10080
C10	CAP ELEC VERT 4700 100V LPW	CE0467
C11	CAP ELEC VERT 4700 100V LPW	CE0467
C12	CAP ELEC VERT 4700 100V LPW	CE0467
C13	CAP ELEC VERT 4700 100V LPW	CE0467
C14	CAP ELEC VERT 100UF 25V SKP	CE0446
CN1	2WY 0.1 ST&F/L CONN HDR CA-CO	FF10046
CN2	(Safety Critical Part)! PCB IEC INLET PX0580-PC	FJ0874
CN3	SPEAKON ML HORIZ PCB	FK0991
CN4	SPEAKON ML HORIZ PCB	FK0991
CN5	5WY 2MM VERT ML HDR CHINA	FF10097
CN6	4WY HDR.0.156 ML LATCH	FF10091
CN7	6WY HDR 0.156 ML LATCH	FF10092
CN8	JACK SKT MONO SW HORIZ	FH10005
CN9	JACK SKT MONO SW HORIZ	FH10005
CN10	2WY 0.1 ST&F/L CONN HDR CA-CO	FF10046
F1	(Safety Critical Part)! FUSEHOLDER 10A 250V PCB MTG	ZD0332
F1	(Safety Critical Part)! FUSE 10A SLOW T 215010 CA-EL	ZD10016
L1	CHOKE 15 TURN MEDIUM CA-EL	HC10004
L2	CHOKE 15 TURN MEDIUM CA-EL	HC10004
OPT1	(Safety Critical Part)! OPTO TRIAC MOC3022T-M	BD10049
R1	MF 0.25W RES 1% 4K7 BL	API365

R-S2010CD-04-AF

R2	MF 0.25W RES 1% 680R BL	API 345
R3	MF 1W RES 5% 10R PRO I	AE0100
R4	MF 1W RES 5% 10R PRO I	AE0100
R5	MF 1W RES 5% 150R PRO I	AE0151
R6	RES 47R 5% 17W XA02-	AMI10001
R7	MF 0.25W RES 1% 680K BL	API417
R9	MF 0.25W RES 1% 220K BL	API405
R10	MF 1W RES 5% 1R0	AE0010
R11	MF 1W RES 5% 1R0	AE0010
SP1	SPADE TAB VERT PC 0.125C	FF10022
SP2	SPADE TAB VERT PC 0.125C	FF10022
SP3	1/4" PC MNTNG BLADE VERT	FF0676
SP4	1/4" PC MNTNG BLADE VERT	FF0676
SP5	1/4" PC MNTNG BLADE VERT	FF0676
SP6	1/4" PC MNTNG BLADE VERT	FF0676
SP7	1/4" PC MNTNG BLADE VERT	FF0676
SP8	1/4" PC MNTNG BLADE VERT	FF0676
TH1	(Safety Critical Part)! THERMISTOR MAIN VOLTAGE CA-DB	BZ10002
TR1	TRANS TIP122 TO220 XE01-	BD10026
TR3	TRIAC TO220 BTB24-600B	BD10050
TR4	TRANSISTOR BC546BT NPN TAPED	BD0394R
ZD1	ZENER DIODE 500MV 15V CA-DB	BB10005
ZD2	ZENER DIODE 500MW 6V8 CA-DB	BB10009
ZD3	ZENER DIODE 400MW 20V XD03-	BB10001

GIGRAC ASSY.

Ident	Description	Part Number
---	FRONT PANEL - GR300	P-S2010A-07
---	BUSH POT SHAFT - GIGRAC	P-S2010J-02
---	KNOB ST. STEEL-EFFECT SELECTOR	P-S2010Z-01
---	GR300 MIXER PCB ASSY.AF	R-S2010DA-03-AF
---	(Safety Critical Part)! SWITCH MAINS ROCKER 6A 250V	DL10006
---	(Safety Critical Part)! TRANSFORMER-MAINS GR300	HB10056
---	WIREFORM MAINS SW. TO PCB	L-B926A-01
---	W/FORM 5WAY 2MM CRIMP TYPE	L-S2010A-01
---	W/FORM 10WAY 2MM CRIMP TYPE	L-S2010B-01
---	W/FORM BLK AMP PCB TO PSUGIGRA	L-S2010D-02
---	W/FORM BLU AMP PCB TO PSU GIGR	L-S2010E-01
---	W/FORM ORG AMP PCB TO PSU GIGR	L-S2010F-01
---	W/FORM RED AMP PCB TO PSU GIGR	L-S2010H-01
---	FAN ASSY MAIN UNIT-GIGRACGIGRA	L-S2010J-01
---	FAN ASSY - HEATSINK GIGRAC	L-S2010K-01
---	CABLE TIE XV02-	LZ10008
---	BASE PANEL - GR300/600	P-S2010B-03
---	LH SIDE PANEL - GR300/600	P-S2010C-03
---	RH SIDE PANEL - GR300/600	P-S2010D-04
---	DUCT EXTRUSION	P-S2010G-03
---	HEATSINK PLATE	P-S2010L-01
---	STRAP LOGO - GIGRAC	P-S2010R-02
---	GASKET FAN & DUCT-GIGRAC	P-S2010X-01
---	STRAP FIXING STRIP-GIGRAC	P-S2010Y-01
---	SINGLE AMP PCB ASSY.	R-S2010A-03-AF
---	LABEL-FCC SAFETY - GIGRAC	P-S2010CC-01
---	ENDCAP-GIGRAC GR300/600/900	P-S2010H-03
---	LID LINER - GIGRAC	P-S2010M-02
---	RACK BOLT-GIGRAC GR300/600/900	P-S2010N-02
---	CASE GIGRAC GR300/600/900	P-S2010P-04
---	LID-GIGRAC GR300/600/900	P-S2010Q-03
---	LABEL-SAFETY & SERIAL-GIGRAC	P-S2010W-03
---	LOGO STICKER SHEET-GIGAC ACCES	P-S2010AA-01
---	DESK GIGRAC MAT-ACCESSORY	P-S2010BB-01
---	CORNER PACKAGING-GIGRAC	T-S2010A-01
---	CARTON PACKAGING-GIGRAC	T-S2010B-02
---	POLY BAG 200G - 24X30	TZ2440
---	USER GUIDE - GIGRAC	ZM10107-01
---	INSTR SHEET - GIGMAT	ZM10109-01

RW5671

GIGRAC ASSY.

Ident	Description	Part Number
---	FRONT PANEL - GR600	P-S2010E-08

RW5672

---	BUSH POT SHAFT - GIGRAC	P-S2010J-02
---	KNOB ST.STEEL-EFFECT SELECTOR	P-S2010Z-01
---	GR600 MIXER PCB ASSY.	R-S2010DB-03-AF
---	(Safety Critical Part)! SWITCH MAINS ROCKER 6A 250V	DL10006
---	(Safety Critical Part)! TRANSFORMER MAINS GR600	HB10057
---	WIREFORM MAINS SW. TO PCB	L-B926A-01
---	W/FORM 5WAY 2MM CRIMP TYPE	L-S2010A-01
---	W/FORM 10WAY 2MM CRIMP TYPE	L-S2010B-01
---	W/FORM BLK AMP PCB TO PSUGIGRA	L-S2010D-02
---	W/FORM BLU AMP PCB TO PSU GIGR	L-S2010E-01
---	W/FORM ORG AMP PCB TO PSU GIGR	L-S2010F-01
---	W/FORM BRN AMP PCB TO PSU GIGR	L-S2010G-01
---	W/FORM RED AMP PCB TO PSU GIGR	L-S2010H-01
---	FAN ASSY MAIN UNIT-GIGRACGIGRA	L-S2010J-01
---	FAN ASSY - HEATSINK GIGRAC	L-S2010K-01
---	CABLE TIE XV02-	LZ10008
---	BASE PANEL - GR300/600	P-S2010B-03
---	LH SIDE PANEL - GR300/600	P-S2010C-03
---	RH SIDE PANEL - GR300/600	P-S2010D-04
---	DUCT EXTRUSION	P-S2010G-03
---	HEATSINK PLATE	P-S2010L-01
---	STRAP LOGO - GIGRAC	P-S2010R-02
---	GASKET FAN & DUCT-GIGRAC	P-S2010X-01
---	STRAP FIXING STRIP-GIGRAC	P-S2010Y-01
---	DUAL AMPLIFIER PCB ASSY.	R-S2010B-03-AF
---	LABEL-FCC SAFETY - GIGRAC	P-S2010CC-01
---	ENDCAP-GIGRAC GR300/600/900	P-S2010H-03
---	LID LINER - GIGRAC	P-S2010M-02
---	RACK BOLT-GIGRAC GR300/600/900	P-S2010N-02
---	CASE GIGRAC GR300/600/900	P-S2010P-04
---	LID-GIGRAC GR300/600/900	P-S2010Q-03
---	LABEL-SAFETY & SERIAL-GIGRAC	P-S2010W-03
---	LOGO STICKER SHEET-GIGAC ACCES	P-S2010AA-01
---	DESK GIGRAC MAT-ACCESSORY	P-S2010BB-01
---	CORNER PACKAGING-GIGRAC	T-S2010A-01
---	CARTON PACKAGING-GIGRAC	T-S2010B-02
---	POLY BAG 200G - 24X30	TZ2440
---	USER GUIDE - GIGRAC	ZM10107-01
---	INSTR SHEET - GIGMAT	ZM10109-01

SWITCH TOPS, FADER TOPS AND KNOBS

Description	Part Number	Used in (part number)
CAP ELLIPSE SW DK/GRY LONG	KB10020	RW5671, RW5672
CAP ELLIPSE SW DK/GRY SHORT	KB10021	RW5671, RW5672
ELIPT SW-CP RED PANTONE 201C	KB2328	RW5671, RW5672
KNOB 14MM DK/GRY & PTR LT/GRY	KA10025	RW5671, RW5672
KNOB 14MM DK/GRY PTR BLUE	KA10027	RW5671, RW5672
KNOB 14MM DK/GRY PTR RED	KA10028	RW5671, RW5672
KNOB 14MM DK/GY PTR BLACK	KA10026	RW5671, RW5672
KNOB 18MM DK/GY PTR RED	KA10029	RW5671, RW5672
KNOB FADER - GIGRAC	KA10024	RW5671, RW5672

FADERS

Description
PAN GRAPHIC FADER 10KB

Part Number
DD0411

Used in: (part number)
R-S2010DA-03-AF, R-S2010DB-03-AF

MODULES AND FRAME PCBS

SINGLE AMP PCB ASSY.

Ident	Description	Part Number
---	HEATSINK - GR300/600	P-S2010K-02
---	PCB SINGLE AMPLIFIER	S-S2010A-03
---	TIP INS BUSH	ZC0215
C1	MICRO-BOX 5MM 5% 100V 100N	CC0250
C2	CAP ELEC VERT 10UF 63V SKP 5X1	CE0462
C3	MICRO-BOX 5MM 5% 63V 10N	CC0244
C5	CAP ELEC VERT 100UF 25V SKP	CE0446
C6	CAP CER ML 47PF 100V 5% NPO	CA0067R
C7	CAP CER 330PF 100V TPD 0.2"	CA0049R
C8	CAP ELEC VERT 10UF 63V SKP 5X1	CE0462
C9	MICRO-BOX 5MM 5% 63V 10N	CC0244
C10	CAP ELEC VERT 10UF 63V SKP 5X1	CE0462
C11	MICRO-BOX 5MM 5% 100V 100N	CC0250
C12	MICRO-BOX 5MM 5% 100V 100N	CC0250
C13	CAP ELEC VERT 100UF 25V SKP	CE0446
C14	CAP ELEC VERT 100UF 25V SKP	CE0446
C15	CAP CER ML 0.1UF 50V 5MM	CA0026
C16	CAP ELEC VERT 10UF 63V SKP 5X1	CE0462
C17	CAP CER ML 0.1UF 50V 5MM	CA0026
C18	CAP ELEC VERT 10UF 63V SKP 5X1	CE0462
C19	CAP ELEC VERT 10UF 63V SKP 5X1	CE0462
C20	CAP ELEC VERT 10UF 63V SKP 5X1	CE0462
C21	CAP CER ML 0.1UF 50V 5MM	CA0026
C22	CAP CER ML 0.1UF 50V 5MM	CA0026
C23	MICRO-BOX 5MM 5% 63V 10N	CC0244
C24	MICRO-BOX 5MM 5% 63V 10N	CC0244
C25	CAP CER 150PF 100V TPD 0.2"	CA0045R
C26	CAP CER 150PF 100V TPD 0.2"	CA0045R
CN1	10WY 2MM VERT ML HDR(CHINA)	FF1003
CN2	5WY 2MM VERT ML HDR CHINA	FF10097
CN3	2WY 0.1 ST&F/L CONN HDR CA-CO	FF10046
D1	DIODE 1N4148	BA0001
D2	DIODE 1N4148	BA0001
D3	DIODE 1N4004	BA0012
D4	DIODE 1N4148	BA0001
D5	DIODE 1N4148	BA0001
D6	DIODE 1N4148	BA0001
D7	DIODE 1N4004	BA0012
D8	DIODE 1N4148	BA0001
D9	DIODE 1N4148	BA0001
IC1	JRC DUAL OP AMP 072BDE	BE0413
IC2	V.REG 7815 +15V 1A	BE0416
IC3	V.REG 7915 -15V 1A	BE0417
R1	MF 0.25W RES 1% 10K BL	API373
R2	MF 0.25W RES 1% 47K BL	API389
R3	MF 0.25W RES 1% 510R BL	API342
R4	MF 0.25W RES 1% 47K BL	API389
R5	MF 0.25W RES 1% 1M BL	API421
R6	MF 0.25W RES 1% 20K BL	API380
R7	MF 0.25W RES 1% 100R BL	API325
R8	MF 0.25W RES 1% 470R BL	API341
R9	MF 0.25W RES 1% 20K BL	API380
R10	MF 0.25W RES 1% 47K BL	API389
R11	RES W/W 0R47 3W CA-RE	AG10007
R12	AP 0.25W RES 1% 1K BL	API349
R13	MF 0.25W RES 1% 200R BL	API332
R14	MF 0.25W RES 1% 47R BL	API317
R15	AP 0.25W RES 1% 1K BL	API349
R16	MF 0.25W RES 1% 390R BL	API339
R17	RES W/W 0R47 3W CA-RE	AG10007
R18	MF 0.25W RES 1% 100R BL	API325
R19	MF 0.25W RES 1% 100R BL	API325
R20	MF 0.25W RES 1% 4K7 BL	API365
R21	MF 0.25W RES 1% 20K BL	API380
R22	MF 0.25W RES 1% 20K BL	API380

R-S2010A-03-AF

R23	MF 0.25W RES 1% 220K BL	API405
R24	RES W/W 0R47 3W CA-RE	AGI0007
R25	MF 0.25W RES 1% 390R BL	API339
R26	AP 0.25W RES 1% 1K BL	API349
R27	MF 0.25W RES 1% 430R BL	API340
R28	MF 0.25W RES 1% 47R BL	API317
R29	MF 0.25W RES 1% 20K BL	API380
R30	RES 3R3 5% 1W MF PROI XA01-	AEI0010
R31	MF 0.25W RES 1% 20K BL	API380
R32	RES W/W 0R47 3W CA-RE	AGI0007
R33	MF 0.25W RES 1% 100R BL	API325
R34	MF 0.25W RES 1% 100R BL	API325
R35	MF 0.25W RES 1% 470R BL	API341
R36	MF 0.25W RES 1% 1M BL	API421
R37	MF 0.25W RES 1% 470R BL	API341
R38	MF 0.25W RES 1% 2K BL	API356
R39	MF 0.25W RES 1% 47K BL	API389
R40	MF 0.25W RES 1% 470K BL	API413
R41	MF 0.25W RES 1% 10K BL	API373
R42	MF 0.25W RES 1% 20K BL	API380
R43	MF 0.25W RES 1% 47K BL	API389
R44	MF 0.25W RES 1% 1K5 BL	API353
R45	AP 0.25W RES 1% 1K BL	API349
R46	MF 0.25W RES 1% 4K7 BL	API365
R47	MF 0.25W RES 1% 1K5 BL	API353
R48	MF 0.25W RES 1% 220K BL	API405
R49	MF 0.25W RES 1% 10K BL	API373
R50	MF 0.25W RES 1% 10K BL	API373
R51	MF 0.25W RES 1% 47K BL	API389
TH1	THERMISTOR NTC 12K	AZI0012
TR1	BF422 NPN TRANS	BD0364
TR2	HV NPN POWER TRANS TIP50 CA-TF	BDI0020
TR3	BF423 PNP TRANS	BD0365
TR4	TRANSISTOR BC556BT PNP TAPED	BD0395R
TR5	MJI5025 PNP POWER TRANS TO3	BD0374
TR6	BF422 NPN TRANS	BD0364
TR7	BF422 NPN TRANS	BD0364
TR8	BF423 PNP TRANS	BD0365
TR9	BF423 PNP TRANS	BD0365
TR10	MJI5025 PNP POWER TRANS TO3	BD0374
TR11	BF423 PNP TRANS	BD0365
TR12	MJI5024 NPN POWER TRANS TO3	BD0373
TR13	TRANSISTOR BC546BT NPN TAPED	BD0394R
TR14	MJI5024 NPN POWER TRANS TO3	BD0373
TR15	BF423 PNP TRANS	BD0365
TR16	MJE5731A TRANSISTOR CA-TF	BDI0014
TR17	BF422 NPN TRANS	BD0364
TR18	TRANSISTOR BC556BT PNP TAPED	BD0395R
TR19	TRANSISTOR BC556BT PNP TAPED	BD0395R
TR20	TRANSISTOR BC546BT NPN TAPED	BD0394R
TR21	TRANSISTOR BC546BT NPN TAPED	BD0394R
TR22	TRANSISTOR BC546BT NPN TAPED	BD0394R
TR23	TRANSISTOR BC556BT PNP TAPED	BD0395R
TR24	TRANS TIP122 TO220 XE01-	BDI0026
ZD1	ZENER DIODE 500MW 2V7 CA-DB	BB10002
ZD2	ZENER DIODE 400MW 20V XD03-	BB10001
ZD3	ZENER DIODE 500MW 2V7 CA-DB	BB10002
ZD4	ZENER DIODE 500MW 2V7 CA-DB	BB10002
ZD5	ZENER DIODE 400MW 20V XD03-	BB10001
ZD6	ZENER DIODE 500MW 47V CA-DB	BB10011
ZD7	ZENER DIODE 500MW 4.7V 5%CA-DB	BB10007
ZD8	ZENER DIODE 33V	BB0123

DUAL AMPLIFIER PCB ASSY.

Ident	Description
---	HEATSINK - GR300/600
---	PCB DUAL AMPLIFIER BOARD
---	TIP INS BUSH
C1	MICRO-BOX 5MM 5% 100V 100N
C2	MICRO-BOX 5MM 5% 100V 100N
C3	CAP ELEC VERT 10UF 63V SKP 5X1
C4	CAP ELEC VERT 10UF 63V SKP 5X1

R-S2010B-03-AF

Part Number
P-S2010K-02
S-S2010B-03
ZC0215
CC0250
CC0250
CE0462
CE0462

C5	MICRO-BOX 5MM 5% 63V 10N	CC0244
C6	CAP CER ML 47PF 100V 5% NPO	CA0067R
C7	CAP CER 330PF 100V TPD 0.2"	CA0049R
C8	CAP ELEC VERT 100UF 25V SKP	CE0446
C10	MICRO-BOX 5MM 5% 63V 10N	CC0244
C11	CAP ELEC VERT 10UF 63V SKP 5X1	CE0462
C12	MICRO-BOX 5MM 5% 100V 100N	CC0250
C13	MICRO-BOX 5MM 5% 100V 100N	CC0250
C14	CAP ELEC VERT 10UF 63V SKP 5X1	CE0462
C15	MICRO-BOX 5MM 5% 63V 10N	CC0244
C17	CAP ELEC VERT 100UF 25V SKP	CE0446
C18	CAP CER 330PF 100V TPD 0.2"	CA0049R
C19	CAP CER ML 47PF 100V 5% NPO	CA0067R
C20	CAP ELEC VERT 10UF 63V SKP 5X1	CE0462
C21	MICRO-BOX 5MM 5% 63V 10N	CC0244
C22	CAP ELEC VERT 10UF 63V SKP 5X1	CE0462
C23	MICRO-BOX 5MM 5% 100V 100N	CC0250
C24	MICRO-BOX 5MM 5% 100V 100N	CC0250
C25	CAP ELEC VERT 100UF 25V SKP	CE0446
C26	CAP ELEC VERT 100UF 25V SKP	CE0446
C27	CAP CER ML 0.1UF 50V 5MM	CA0026
C28	CAP ELEC VERT 10UF 63V SKP 5X1	CE0462
C29	CAP CER ML 0.1UF 50V 5MM	CA0026
C30	CAP ELEC VERT 10UF 63V SKP 5X1	CE0462
C31	CAP ELEC VERT 10UF 63V SKP 5X1	CE0462
C32	CAP ELEC VERT 10UF 63V SKP 5X1	CE0462
C33	CAP CER ML 0.1UF 50V 5MM	CA0026
C34	CAP CER ML 0.1UF 50V 5MM	CA0026
C35	CAP CER ML 0.1UF 50V 5MM	CA0026
C36	CAP CER ML 0.1UF 50V 5MM	CA0026
C38	MICRO-BOX 5MM 5% 63V 10N	CC0244
C39	MICRO-BOX 5MM 5% 63V 10N	CC0244
C40	CAP CER 150PF 100V TPD 0.2"	CA0045R
C41	CAP CER 150PF 100V TPD 0.2"	CA0045R
C42	CAP CER 150PF 100V TPD 0.2"	CA0045R
C43	CAP CER 150PF 100V TPD 0.2"	CA0045R
CN1	10WY 2MM VERT ML HDR(CHINA)	FF1003
CN2	5WY 2MM VERT ML HDR CHINA	FF10097
CN3	2WY 0.1 ST&F/L CONN HDR CA-CO	FF10046
D1	DIODE 1N4148	BA0001
D2	DIODE 1N4004	BA0012
D3	DIODE 1N4148	BA0001
D4	DIODE 1N4148	BA0001
D5	DIODE 1N4148	BA0001
D6	DIODE 1N4148	BA0001
D7	DIODE 1N4004	BA0012
D8	DIODE 1N4148	BA0001
D9	DIODE 1N4148	BA0001
D10	DIODE 1N4004	BA0012
D11	DIODE 1N4148	BA0001
D12	DIODE 1N4148	BA0001
D13	DIODE 1N4148	BA0001
D14	DIODE 1N4004	BA0012
D15	DIODE 1N4148	BA0001
D16	DIODE 1N4148	BA0001
IC1	JRC DUAL OP AMP 072BDE	BE0413
IC2	V.REG 7815 +15V 1A	BE0416
IC3	V.REG 7915 -15V 1A	BE0417
R1	MF 0.25W RES 1% 1M BL	API421
R2	MF 0.25W RES 1% 100R BL	API325
R3	MF 0.25W RES 1% 470R BL	API341
R4	MF 0.25W RES 1% 100R BL	API325
R5	MF 0.25W RES 1% 100R BL	API325
R6	RES W/W 0R47 3W CA-RE	AG10007
R7	MF 0.25W RES 1% 20K BL	API380
R8	MF 0.25W RES 1% 20K BL	API380
R9	RES 3R3 5% 1W MF PROI XA01-	AE10010
R10	MF 0.25W RES 1% 47R BL	API317
R11	MF 0.25W RES 1% 430R BL	API340
R12	AP 0.25W RES 1% 1K BL	API349
R13	MF 0.25W RES 1% 390R BL	API339
R14	MF 0.25W RES 1% 470R BL	API341
R15	MF 0.25W RES 1% 220K BL	API405

R16	RES W/W 0R47 3W CA-RE	AGI0007
R17	MF 0.25W RES 1% 47K BL	API389
R18	MF 0.25W RES 1% 47K BL	API389
R19	MF 0.25W RES 1% 10K BL	API373
R20	MF 0.25W RES 1% 47K BL	API389
R21	MF 0.25W RES 1% 10K BL	API373
R22	MF 0.25W RES 1% 20K BL	API380
R23	MF 0.25W RES 1% 4K7 BL	API365
R24	MF 0.25W RES 1% 100R BL	API325
R25	MF 0.25W RES 1% 100R BL	API325
R26	MF 0.25W RES 1% 20K BL	API380
R27	RES W/W 0R47 3W CA-RE	AGI0007
R28	MF 0.25W RES 1% 390R BL	API339
R29	MF 0.25W RES 1% 47R BL	API317
R30	AP 0.25W RES 1% 1K BL	API349
R31	MF 0.25W RES 1% 200R BL	API332
R32	RES W/W 0R47 3W CA-RE	AGI0007
R33	AP 0.25W RES 1% 1K BL	API349
R34	MF 0.25W RES 1% 47K BL	API389
R35	MF 0.25W RES 1% 470R BL	API341
R36	MF 0.25W RES 1% 20K BL	API380
R37	MF 0.25W RES 1% 20K BL	API380
R38	MF 0.25W RES 1% 1M BL	API421
R39	MF 0.25W RES 1% 1M BL	API421
R40	MF 0.25W RES 1% 100R BL	API325
R41	MF 0.25W RES 1% 20K BL	API380
R42	MF 0.25W RES 1% 470R BL	API341
R43	MF 0.25W RES 1% 20K BL	API380
R44	MF 0.25W RES 1% 47K BL	API389
R45	RES W/W 0R47 3W CA-RE	AGI0007
R46	AP 0.25W RES 1% 1K BL	API349
R47	MF 0.25W RES 1% 47R BL	API317
R48	MF 0.25W RES 1% 200R BL	API332
R49	AP 0.25W RES 1% 1K BL	API349
R50	MF 0.25W RES 1% 390R BL	API339
R51	RES W/W 0R47 3W CA-RE	AGI0007
R52	MF 0.25W RES 1% 20K BL	API380
R53	MF 0.25W RES 1% 4K7 BL	API365
R54	MF 0.25W RES 1% 100R BL	API325
R55	MF 0.25W RES 1% 20K BL	API380
R56	MF 0.25W RES 1% 100R BL	API325
R57	RES W/W 0R47 3W CA-RE	AGI0007
R58	MF 0.25W RES 1% 390R BL	API339
R59	AP 0.25W RES 1% 1K BL	API349
R60	MF 0.25W RES 1% 430R BL	API340
R61	MF 0.25W RES 1% 47R BL	API317
R62	MF 0.25W RES 1% 20K BL	API380
R63	RES 3R3 5% 1W MF PROI XA01-	AEI0010
R64	MF 0.25W RES 1% 20K BL	API380
R65	RES W/W 0R47 3W CA-RE	AGI0007
R66	MF 0.25W RES 1% 100R BL	API325
R67	MF 0.25W RES 1% 100R BL	API325
R68	MF 0.25W RES 1% 470R BL	API341
R69	MF 0.25W RES 1% 1M BL	API421
R70	MF 0.25W RES 1% 470R BL	API341
R71	MF 0.25W RES 1% 2K BL	API356
R72	MF 0.25W RES 1% 47K BL	API389
R73	MF 0.25W RES 1% 470K BL	API413
R74	MF 0.25W RES 1% 10K BL	API373
R75	MF 0.25W RES 1% 20K BL	API380
R76	MF 0.25W RES 1% 47K BL	API389
R77	MF 0.25W RES 1% 1K5 BL	API353
R78	AP 0.25W RES 1% 1K BL	API349
R79	MF 0.25W RES 1% 4K7 BL	API365
R80	MF 0.25W RES 1% 4K7 BL	API365
R81	MF 0.25W RES 1% 1K5 BL	API353
R82	MF 0.25W RES 1% 220K BL	API405
R83	MF 0.25W RES 1% 1K5 BL	API353
R84	MF 0.25W RES 1% 220K BL	API405
R85	MF 0.25W RES 1% 10K BL	API373
R86	MF 0.25W RES 1% 10K BL	API373
R87	MF 0.25W RES 1% 510R BL	API342
R88	MF 0.25W RES 1% 510R BL	API342

THI	THERMISTOR NTC 12K	AZ10012
TR1	MJE5731A TRANSISTOR CA-TF	BD10014
TR2	BF422 NPN TRANS	BD0364
TR3	TRANSISTOR BC556BT PNP TAPED	BD0395R
TR4	BF423 PNP TRANS	BD0365
TR5	MJ15024 NPN POWER TRANS TO3	BD0373
TR6	TRANSISTOR BC546BT NPN TAPED	BD0394R
TR7	MJ15024 NPN POWER TRANS TO3	BD0373
TR8	BF422 NPN TRANS	BD0364
TR9	BF423 PNP TRANS	BD0365
TR10	MJ15025 PNP POWER TRANS TO3	BD0374
TR11	BF423 PNP TRANS	BD0365
TR12	BF423 PNP TRANS	BD0365
TR13	BF422 NPN TRANS	BD0364
TR14	BF422 NPN TRANS	BD0364
TR15	MJ15025 PNP POWER TRANS TO3	BD0374
TR16	TRANSISTOR BC556BT PNP TAPED	BD0395R
TR17	HV NPN POWER TRANS TIP50 CA-TF	BD10020
TR18	BF423 PNP TRANS	BD0365
TR19	HV NPN POWER TRANS TIP50 CA-TF	BD10020
TR20	BF423 PNP TRANS	BD0365
TR21	TRANSISTOR BC556BT PNP TAPED	BD0395R
TR22	MJ15025 PNP POWER TRANS TO3	BD0374
TR23	BF422 NPN TRANS	BD0364
TR24	BF422 NPN TRANS	BD0364
TR25	BF423 PNP TRANS	BD0365
TR26	BF423 PNP TRANS	BD0365
TR27	MJ15025 PNP POWER TRANS TO3	BD0374
TR28	BF423 PNP TRANS	BD0365
TR29	MJ15024 NPN POWER TRANS TO3	BD0373
TR30	TRANSISTOR BC546BT NPN TAPED	BD0394R
TR31	MJ15024 NPN POWER TRANS TO3	BD0373
TR32	BF423 PNP TRANS	BD0365
TR33	TRANSISTOR BC556BT PNP TAPED	BD0395R
TR34	MJE5731A TRANSISTOR CA-TF	BD10014
TR35	BF422 NPN TRANS	BD0364
TR36	TRANSISTOR BC556BT PNP TAPED	BD0395R
TR37	TRANSISTOR BC546BT NPN TAPED	BD0394R
TR38	TRANSISTOR BC546BT NPN TAPED	BD0394R
TR39	TRANSISTOR BC546BT NPN TAPED	BD0394R
TR40	TRANSISTOR BC556BT PNP TAPED	BD0395R
TR41	TRANS TIP122 TO220 XE01-	BD10026
ZD1	ZENER DIODE 500MW 47V CA-DB	BB10011
ZD10	ZENER DIODE 400MW 20V XD03-	BB10001
ZD11	ZENER DIODE 500MW 47V CA-DB	BB10011
ZD12	ZENER DIODE 500MW 4.7V 5%CA-DB	BB10007
ZD13	ZENER DIODE 33V	BB0123
ZD2	ZENER DIODE 400MW 20V XD03-	BB10001
ZD3	ZENER DIODE 500MW 2V7 CA-DB	BB10002
ZD4	ZENER DIODE 500MW 2V7 CA-DB	BB10002
ZD5	ZENER DIODE 500MW 2V7 CA-DB	BB10002
ZD6	ZENER DIODE 400MW 20V XD03-	BB10001
ZD7	ZENER DIODE 400MW 20V XD03-	BB10001
ZD8	ZENER DIODE 500MW 2V7 CA-DB	BB10002
ZD9	ZENER DIODE 500MW 2V7 CA-DB	BB10002

GR300 MIXER PCB ASSY.AF

Ident	Description	Part Number
---	GR300 MIXER PCB ASSY. SM	R-S2010DA-03-SM
C3	CAP ELEC VERT 10UF 16V SSP	CE0448
C6	CAP ELEC VERT 10UF 16V SSP	CE0448
C7	CAP ELEC VERT 10UF 16V SSP	CE0448
C8	CAP ELEC VERT 10UF 16V SSP	CE0448
C9	CAP ELEC VERT 10UF 16V SSP	CE0448
C10	CAP ELEC VERT 10UF 16V SSP	CE0448
C11	CAP ELEC VERT 10UF 16V SSP	CE0448
C13	CAP ELEC VERT 10UF 16V SSP	CE0448
C14	MICRO-BOX 5MM 5% 63V 47N	CC0248
C15	MICRO-BOX 5MM 5% 470NF 63/100V	CC0267
C16	MICRO-BOX 5MM 5% 63V 47N	CC0248
C17	MICRO BOX 5MM 5% 63V 330N	CC0264
C18	MICRO-BOX 5MM 5% 63V 3N3	CC0241

R-S2010DA-03-AF

C19	MICRO-BOX 5MM 5% 63V 3N3	CC0241
C24	MICRO-BOX 5MM 5% 63V 6N8	CC0243
C25	MICRO-BOX 5MM 5% 63V 22N	CC0246
C28	POLY-CAP 5MM 5% 63V 150N	CC0261
C31	CAP ELEC VERT 100UF 25V SKP	CE0446
C32	CAP ELEC VERT 10UF 63V SKP 5X1	CE0462
C33	CAP ELEC VERT 10UF 63V SKP 5X1	CE0462
C34	CAP ELEC VERT 10UF 63V SKP 5X1	CE0462
C38	CAP ELEC VERT 33UF 16V SSP	CE0457
C39	MICRO-BOX 5MM 5% 63V 33N	CC0247
C40	CAP ELEC VERT 33UF 16V SSP	CE0457
C41	CAP ELEC VERT 4.7UF 50V SKP	CE0440
C100	MICRO-BOX 5MM 5% 63V 2N2	CC0240
C101	MICRO-BOX 5MM 5% 63V 68N	CC0249
C102	MICRO-BOX 5MM 5% 63V 2N2	CC0240
C104	CAP ELEC VERT 470UF 6.3V SKP 8	CE0449
C105	CAP ELEC VERT 47UF 63V SKP 0.2	CE0402
C106	CAP ELEC VERT 47UF 63V SKP 0.2	CE0402
C110	CAP ELEC VERT 10UF 16V SSP	CE0448
C200	MICRO-BOX 5MM 5% 63V 2N2	CC0240
C201	MICRO-BOX 5MM 5% 63V 68N	CC0249
C202	MICRO-BOX 5MM 5% 63V 2N2	CC0240
C204	CAP ELEC VERT 470UF 6.3V SKP 8	CE0449
C205	CAP ELEC VERT 47UF 63V SKP 0.2	CE0402
C206	CAP ELEC VERT 47UF 63V SKP 0.2	CE0402
C210	CAP ELEC VERT 10UF 16V SSP	CE0448
C300	MICRO-BOX 5MM 5% 63V 2N2	CC0240
C301	MICRO-BOX 5MM 5% 63V 68N	CC0249
C302	MICRO-BOX 5MM 5% 63V 2N2	CC0240
C304	CAP ELEC VERT 470UF 6.3V SKP 8	CE0449
C305	CAP ELEC VERT 47UF 63V SKP 0.2	CE0402
C306	CAP ELEC VERT 47UF 63V SKP 0.2	CE0402
C310	CAP ELEC VERT 10UF 16V SSP	CE0448
C400	MICRO-BOX 5MM 5% 63V 2N2	CC0240
C401	MICRO-BOX 5MM 5% 63V 68N	CC0249
C402	MICRO-BOX 5MM 5% 63V 2N2	CC0240
C404	CAP ELEC VERT 470UF 6.3V SKP 8	CE0449
C405	CAP ELEC VERT 47UF 63V SKP 0.2	CE0402
C406	CAP ELEC VERT 47UF 63V SKP 0.2	CE0402
C410	CAP ELEC VERT 10UF 16V SSP	CE0448
C500	MICRO-BOX 5MM 5% 63V 2N2	CC0240
C501	MICRO-BOX 5MM 5% 63V 68N	CC0249
C502	MICRO-BOX 5MM 5% 63V 2N2	CC0240
C504	CAP ELEC VERT 470UF 6.3V SKP 8	CE0449
C510	CAP ELEC VERT 10UF 16V SSP	CE0448
C600	MICRO-BOX 5MM 5% 63V 2N2	CC0240
C601	MICRO-BOX 5MM 5% 63V 68N	CC0249
C602	MICRO-BOX 5MM 5% 63V 2N2	CC0240
C604	CAP ELEC VERT 470UF 6.3V SKP 8	CE0449
C610	CAP ELEC VERT 10UF 16V SSP	CE0448
C700	MICRO-BOX 5MM 5% 63V 2N2	CC0240
C701	MICRO-BOX 5MM 5% 63V 68N	CC0249
C702	MICRO-BOX 5MM 5% 63V 2N2	CC0240
C704	CAP ELEC VERT 470UF 6.3V SKP 8	CE0449
C710	CAP ELEC VERT 10UF 16V SSP	CE0448
C800	MICRO-BOX 5MM 5% 63V 2N2	CC0240
C801	MICRO-BOX 5MM 5% 63V 68N	CC0249
C802	MICRO-BOX 5MM 5% 63V 2N2	CC0240
C804	CAP ELEC VERT 470UF 6.3V SKP 8	CE0449
C810	CAP ELEC VERT 10UF 16V SSP	CE0448
C1001	MICRO BOX 5MM 5% 63V 330N	CC0264
C1007	CAP ELEC VERT 10UF 63V SKP 5X1	CE0462
C1017	CAP ELEC VERT 10UF 63V SKP 5X1	CE0462
C1018	CAP ELEC VERT 10UF 63V SKP 5X1	CE0462
CN1	10WY 2MM VERT ML HDR(CHINA)	FF1003
CN2	JACK SKT STEREO 3PIN LIH SHENG	FH0792
CN3	JACK SKT STEREO 3PIN LIH SHENG	FH0792
CN4	JACK SKT STEREO 3PIN LIH SHENG	FH0792
CN5	JACK SKT STEREO 3PIN LIH SHENG	FH0792
CN6	JACK SKT STEREO 3PIN LIH SHENG	FH0792
CN100	JACK/XLR COMBO NCJ6FI-V-0	FH10004
CN200	JACK/XLR COMBO NCJ6FI-V-0	FH10004
CN300	JACK/XLR COMBO NCJ6FI-V-0	FH10004

CN400	JACK/XLR COMBO NCJ6FI-V-0	FH10004
CN500	JACK/XLR COMBO NCJ6FI-V-0	FH10004
CN600	JACK/XLR COMBO NCJ6FI-V-0	FH10004
CN700	JACK/XLR COMBO NCJ6FI-V-0	FH10004
CN701	JACK SKT STEREO 3PIN LIH SHENG	FH0792
CN800	JACK/XLR COMBO NCJ6FI-V-0	FH10004
CN801	JACK SKT STEREO 3PIN LIH SHENG	FH0792
IC1001	GIGRAC PROG.PIC V1.00	M-S2010A-1.00
Jack	DUAL PC PHONO VERT 24MM CLIFF	FH0768
Jack	JACK SKT STEREO 3PIN LIH SHENG	FH0792
LD1	LED 3MM ULTRA RED ROUND	JA10025
LD2	LED 3MM ULTRA RED ROUND	JA10025
LD4	LED 3MM ULTRA RED ROUND	JA10025
LD5	LED 3MM ULTRA BLUE ROUND	JA10027
LD6	LED 3MM ULTRA BLUE ROUND	JA10027
LD7	LED 3MM ULTRA BLUE ROUND	JA10027
LD8	LED 3MM ULTRA BLUE ROUND	JA10027
LD9	LED 3MM ULTRA WHITE ROUND	JA10026
LD10	LED 3MM ULTRA WHITE ROUND	JA10026
LD11	LED 3MM ULTRA WHITE ROUND	JA10026
LD12	LED 3MM ULTRA WHITE ROUND	JA10026
LD13	LED 3MM ULTRA RED ROUND	JA10025
LD14	LED 3MM ULTRA RED ROUND	JA10025
LD15	LED 3MM ULTRA RED ROUND	JA10025
LD1001	LED 3MM ULTRA BLUE ROUND	JA10027
LD1002	LED 3MM ULTRA BLUE ROUND	JA10027
LD1003	LED 3MM ULTRA BLUE ROUND	JA10027
LD1004	LED 3MM ULTRA BLUE ROUND	JA10027
LD1005	LED 3MM ULTRA BLUE ROUND	JA10027
LD1006	LED 3MM ULTRA BLUE ROUND	JA10027
LD1007	LED 3MM ULTRA BLUE ROUND	JA10027
LD1008	LED 3MM ULTRA BLUE ROUND	JA10027
LD1009	LED 3MM ULTRA RED ROUND	JA10025
P1	POT 50KK 9MM VRT MTG TW-ALPHA-	DM10031
P2	POT 50KK 9MM VRT MTG TW-ALPHA-	DM10031
P4	POT 20KK 9MM VRT MTG TW-ALPHA-	DM10030
P5	POT 20KK 9MM VRT MTG TW-ALPHA-	DM10030
P6	PAN GRAPHIC FADER 10KB	DD0411
P7	PAN GRAPHIC FADER 10KB	DD0411
P8	PAN GRAPHIC FADER 10KB	DD0411
P9	PAN GRAPHIC FADER 10KB	DD0411
P10	PAN GRAPHIC FADER 10KB	DD0411
P11	PAN GRAPHIC FADER 10KB	DD0411
P12	PAN GRAPHIC FADER 10KB	DD0411
P100	POT 20KK 9MM VRT MTG TW-ALPHA-	DM10030
P1001	POT 20K 9MM VERT 41 CLKS TWA R	DM10033
P101	POT 20KK 9MM VRT MTG TW-ALPHA-	DM10030
P102	POT 20KK 9MM VRT MTG TW-ALPHA-	DM10030
P103	POT 20K VRT MTG 9MM C/D TWA RV	DM10029
P104	POT 20K VRT MTG 9MM C/D TWA RV	DM10029
P200	POT 20KK 9MM VRT MTG TW-ALPHA-	DM10030
P201	POT 20KK 9MM VRT MTG TW-ALPHA-	DM10030
P202	POT 20KK 9MM VRT MTG TW-ALPHA-	DM10030
P203	POT 20K VRT MTG 9MM C/D TWA RV	DM10029
P204	POT 20K VRT MTG 9MM C/D TWA RV	DM10029
P300	POT 20KK 9MM VRT MTG TW-ALPHA-	DM10030
P301	POT 20KK 9MM VRT MTG TW-ALPHA-	DM10030
P302	POT 20KK 9MM VRT MTG TW-ALPHA-	DM10030
P303	POT 20K VRT MTG 9MM C/D TWA RV	DM10029
P304	POT 20K VRT MTG 9MM C/D TWA RV	DM10029
P400	POT 20KK 9MM VRT MTG TW-ALPHA-	DM10030
P401	POT 20KK 9MM VRT MTG TW-ALPHA-	DM10030
P402	POT 20KK 9MM VRT MTG TW-ALPHA-	DM10030
P403	POT 20K VRT MTG 9MM C/D TWA RV	DM10029
P404	POT 20K VRT MTG 9MM C/D TWA RV	DM10029
P500	POT 20KK 9MM VRT MTG TW-ALPHA-	DM10030
P501	POT 20KK 9MM VRT MTG TW-ALPHA-	DM10030
P502	POT 20KK 9MM VRT MTG TW-ALPHA-	DM10030
P503	POT 20K VRT MTG 9MM C/D TWA RV	DM10029
P504	POT 20K VRT MTG 9MM C/D TWA RV	DM10029
P600	POT 20KK 9MM VRT MTG TW-ALPHA-	DM10030
P601	POT 20KK 9MM VRT MTG TW-ALPHA-	DM10030
P602	POT 20KK 9MM VRT MTG TW-ALPHA-	DM10030

P603	POT 20K VRT MTG 9MM C/D TWA RV	DM10029
P604	POT 20K VRT MTG 9MM C/D TWA RV	DM10029
P700	POT 20KK 9MM VRT MTG TW-ALPHA-	DM10030
P701	POT 20KK 9MM VRT MTG TW-ALPHA-	DM10030
P702	POT 20KK 9MM VRT MTG TW-ALPHA-	DM10030
P703	POT 20K VRT MTG 9MM C/D TWA RV	DM10029
P704	POT 20K VRT MTG 9MM C/D TWA RV	DM10029
P800	POT 20KK 9MM VRT MTG TW-ALPHA-	DM10030
P801	POT 20KK 9MM VRT MTG TW-ALPHA-	DM10030
P802	POT 20KK 9MM VRT MTG TW-ALPHA-	DM10030
P803	POT 20K VRT MTG 9MM C/D TWA RV	DM10029
P804	POT 20K VRT MTG 9MM C/D TWA RV	DM10029
R119	MF 0.25W RES 1% 6K8 BL	API369
R120	MF 0.25W RES 1% 6K8 BL	API369
R219	MF 0.25W RES 1% 6K8 BL	API369
R220	MF 0.25W RES 1% 6K8 BL	API369
R319	MF 0.25W RES 1% 6K8 BL	API369
R320	MF 0.25W RES 1% 6K8 BL	API369
R419	MF 0.25W RES 1% 6K8 BL	API369
R420	MF 0.25W RES 1% 6K8 BL	API369
SW2	ALPS SWITCH L/TRAVEL VERT	DF0660
SW4	ALPS SWITCH L/TRAVEL VERT	DF0660
SW100	ALPS SWITCH L/TRAVEL VERT	DF0660
SW1001	ALPS SWT L/TRAVEL VERT MOM	DF0662
SW200	ALPS SWITCH L/TRAVEL VERT	DF0660
SW300	ALPS SWITCH L/TRAVEL VERT	DF0660
SW400	ALPS SWITCH L/TRAVEL VERT	DF0660
TR100	PNP TRANS 2SB737 LOW RBB	BD0346
TR101	PNP TRANS 2SB737 LOW RBB	BD0346
TR200	PNP TRANS 2SB737 LOW RBB	BD0346
TR201	PNP TRANS 2SB737 LOW RBB	BD0346
TR300	PNP TRANS 2SB737 LOW RBB	BD0346
TR301	PNP TRANS 2SB737 LOW RBB	BD0346
TR400	PNP TRANS 2SB737 LOW RBB	BD0346
TR401	PNP TRANS 2SB737 LOW RBB	BD0346
TR500	PNP TRANS 2SB737 LOW RBB	BD0346
TR501	PNP TRANS 2SB737 LOW RBB	BD0346
TR600	PNP TRANS 2SB737 LOW RBB	BD0346
TR601	PNP TRANS 2SB737 LOW RBB	BD0346
TR700	PNP TRANS 2SB737 LOW RBB	BD0346
TR701	PNP TRANS 2SB737 LOW RBB	BD0346
TR800	PNP TRANS 2SB737 LOW RBB	BD0346
TR801	PNP TRANS 2SB737 LOW RBB	BD0346
XT1001	XTAL 12.288MHZ HC49/4 XI01-	ZE10005

GR600 MIXER PCB ASSY.

Ident	Description	Part Number
---	GR600 MIXER PCB ASSY. SM	R-S2010DB-03-SM
C3	CAP ELEC VERT 10UF 16V SSP	CE0448
C6	CAP ELEC VERT 10UF 16V SSP	CE0448
C7	CAP ELEC VERT 10UF 16V SSP	CE0448
C8	CAP ELEC VERT 10UF 16V SSP	CE0448
C9	CAP ELEC VERT 10UF 16V SSP	CE0448
C10	CAP ELEC VERT 10UF 16V SSP	CE0448
C11	CAP ELEC VERT 10UF 16V SSP	CE0448
C13	CAP ELEC VERT 10UF 16V SSP	CE0448
C14	MICRO-BOX 5MM 5% 63V 47N	CC0248
C15	MICRO-BOX 5MM 5% 470NF 63/100V	CC0267
C16	MICRO-BOX 5MM 5% 63V 47N	CC0248
C17	MICRO BOX 5MM 5% 63V 330N	CC0264
C18	MICRO-BOX 5MM 5% 63V 3N3	CC0241
C19	MICRO-BOX 5MM 5% 63V 3N3	CC0241
C24	MICRO-BOX 5MM 5% 63V 6N8	CC0243
C25	MICRO-BOX 5MM 5% 63V 22N	CC0246
C28	POLY-CAP 5MM 5% 63V 150N	CC0261
C30	CAP ELEC VERT 100UF 25V SKP	CE0446
C31	CAP ELEC VERT 100UF 25V SKP	CE0446
C32	CAP ELEC VERT 10UF 63V SKP 5X1	CE0462
C33	CAP ELEC VERT 10UF 63V SKP 5X1	CE0462
C34	CAP ELEC VERT 10UF 63V SKP 5X1	CE0462
C38	CAP ELEC VERT 33UF 16V SSP	CE0457
C39	MICRO-BOX 5MM 5% 63V 33N	CC0247

R-S2010DB-03-AF

C40	CAP ELEC VERT 33UF 16V SSP	CE0457
C41	CAP ELEC VERT 4.7UF 50V SKP	CE0440
C100	MICRO-BOX 5MM 5% 63V 2N2	CC0240
C101	MICRO-BOX 5MM 5% 63V 68N	CC0249
C102	MICRO-BOX 5MM 5% 63V 2N2	CC0240
C104	CAP ELEC VERT 470UF 6.3V SKP 8	CE0449
C105	CAP ELEC VERT 47UF 63V SKP 0.2	CE0402
C106	CAP ELEC VERT 47UF 63V SKP 0.2	CE0402
C110	CAP ELEC VERT 10UF 16V SSP	CE0448
C200	MICRO-BOX 5MM 5% 63V 2N2	CC0240
C201	MICRO-BOX 5MM 5% 63V 68N	CC0249
C202	MICRO-BOX 5MM 5% 63V 2N2	CC0240
C204	CAP ELEC VERT 470UF 6.3V SKP 8	CE0449
C205	CAP ELEC VERT 47UF 63V SKP 0.2	CE0402
C206	CAP ELEC VERT 47UF 63V SKP 0.2	CE0402
C210	CAP ELEC VERT 10UF 16V SSP	CE0448
C300	MICRO-BOX 5MM 5% 63V 2N2	CC0240
C301	MICRO-BOX 5MM 5% 63V 68N	CC0249
C302	MICRO-BOX 5MM 5% 63V 2N2	CC0240
C304	CAP ELEC VERT 470UF 6.3V SKP 8	CE0449
C305	CAP ELEC VERT 47UF 63V SKP 0.2	CE0402
C306	CAP ELEC VERT 47UF 63V SKP 0.2	CE0402
C310	CAP ELEC VERT 10UF 16V SSP	CE0448
C400	MICRO-BOX 5MM 5% 63V 2N2	CC0240
C401	MICRO-BOX 5MM 5% 63V 68N	CC0249
C402	MICRO-BOX 5MM 5% 63V 2N2	CC0240
C404	CAP ELEC VERT 470UF 6.3V SKP 8	CE0449
C405	CAP ELEC VERT 47UF 63V SKP 0.2	CE0402
C406	CAP ELEC VERT 47UF 63V SKP 0.2	CE0402
C410	CAP ELEC VERT 10UF 16V SSP	CE0448
C500	MICRO-BOX 5MM 5% 63V 2N2	CC0240
C501	MICRO-BOX 5MM 5% 63V 68N	CC0249
C502	MICRO-BOX 5MM 5% 63V 2N2	CC0240
C504	CAP ELEC VERT 470UF 6.3V SKP 8	CE0449
C510	CAP ELEC VERT 10UF 16V SSP	CE0448
C600	MICRO-BOX 5MM 5% 63V 2N2	CC0240
C601	MICRO-BOX 5MM 5% 63V 68N	CC0249
C602	MICRO-BOX 5MM 5% 63V 2N2	CC0240
C604	CAP ELEC VERT 470UF 6.3V SKP 8	CE0449
C610	CAP ELEC VERT 10UF 16V SSP	CE0448
C700	MICRO-BOX 5MM 5% 63V 2N2	CC0240
C701	MICRO-BOX 5MM 5% 63V 68N	CC0249
C702	MICRO-BOX 5MM 5% 63V 2N2	CC0240
C704	CAP ELEC VERT 470UF 6.3V SKP 8	CE0449
C710	CAP ELEC VERT 10UF 16V SSP	CE0448
C800	MICRO-BOX 5MM 5% 63V 2N2	CC0240
C801	MICRO-BOX 5MM 5% 63V 68N	CC0249
C802	MICRO-BOX 5MM 5% 63V 2N2	CC0240
C804	CAP ELEC VERT 470UF 6.3V SKP 8	CE0449
C810	CAP ELEC VERT 10UF 16V SSP	CE0448
C1001	MICRO BOX 5MM 5% 63V 330N	CC0264
C1007	CAP ELEC VERT 10UF 63V SKP 5X1	CE0462
C1017	CAP ELEC VERT 10UF 63V SKP 5X1	CE0462
C1018	CAP ELEC VERT 10UF 63V SKP 5X1	CE0462
CN1	10WY 2MM VERT ML HDR(CHINA)	FF1003
CN2	JACK SKT STEREO 3PIN LIH SHENG	FH0792
CN3	JACK SKT STEREO 3PIN LIH SHENG	FH0792
CN4	JACK SKT STEREO 3PIN LIH SHENG	FH0792
CN5	JACK SKT STEREO 3PIN LIH SHENG	FH0792
CN6	JACK SKT STEREO 3PIN LIH SHENG	FH0792
CN100	JACK/XLR COMBO NCJ6FI-V-0	FH10004
CN200	JACK/XLR COMBO NCJ6FI-V-0	FH10004
CN300	JACK/XLR COMBO NCJ6FI-V-0	FH10004
CN400	JACK/XLR COMBO NCJ6FI-V-0	FH10004
CN500	JACK/XLR COMBO NCJ6FI-V-0	FH10004
CN600	JACK/XLR COMBO NCJ6FI-V-0	FH10004
CN700	JACK/XLR COMBO NCJ6FI-V-0	FH10004
CN701	JACK SKT STEREO 3PIN LIH SHENG	FH0792
CN800	JACK/XLR COMBO NCJ6FI-V-0	FH10004
CN801	JACK SKT STEREO 3PIN LIH SHENG	FH0792
Jack	DUAL PC PHONO VERT 24MM CLIFF	FH0768
Jack	JACK SKT STEREO 3PIN LIH SHENG	FH0792
LD1	LED 3MM ULTRA RED ROUND	JA10025

LD2	LED 3MM ULTRA RED ROUND	JA10025
LD3	LED 3MM ULTRA RED ROUND	JA10025
LD4	LED 3MM ULTRA RED ROUND	JA10025
LD5	LED 3MM ULTRA BLUE ROUND	JA10027
LD6	LED 3MM ULTRA BLUE ROUND	JA10027
LD7	LED 3MM ULTRA BLUE ROUND	JA10027
LD8	LED 3MM ULTRA BLUE ROUND	JA10027
LD9	LED 3MM ULTRA WHITE ROUND	JA10026
LD10	LED 3MM ULTRA WHITE ROUND	JA10026
LD11	LED 3MM ULTRA WHITE ROUND	JA10026
LD12	LED 3MM ULTRA WHITE ROUND	JA10026
LD13	LED 3MM ULTRA RED ROUND	JA10025
LD14	LED 3MM ULTRA RED ROUND	JA10025
LD15	LED 3MM ULTRA RED ROUND	JA10025
LD1001	LED 3MM ULTRA BLUE ROUND	JA10027
LD1002	LED 3MM ULTRA BLUE ROUND	JA10027
LD1003	LED 3MM ULTRA BLUE ROUND	JA10027
LD1004	LED 3MM ULTRA BLUE ROUND	JA10027
LD1005	LED 3MM ULTRA BLUE ROUND	JA10027
LD1006	LED 3MM ULTRA BLUE ROUND	JA10027
LD1007	LED 3MM ULTRA BLUE ROUND	JA10027
LD1008	LED 3MM ULTRA BLUE ROUND	JA10027
LD1009	LED 3MM ULTRA RED ROUND	JA10025
P1	POT 50KK 9MM VRT MTG TW-ALPHA-	DM10031
P2	POT 50KK 9MM VRT MTG TW-ALPHA-	DM10031
P4	POT 20KK 9MM VRT MTG TW-ALPHA-	DM10030
P5	POT 20KK 9MM VRT MTG TW-ALPHA-	DM10030
P6	PAN GRAPHIC FADER 10KB	DD0411
P7	PAN GRAPHIC FADER 10KB	DD0411
P8	PAN GRAPHIC FADER 10KB	DD0411
P9	PAN GRAPHIC FADER 10KB	DD0411
P10	PAN GRAPHIC FADER 10KB	DD0411
P11	PAN GRAPHIC FADER 10KB	DD0411
P12	PAN GRAPHIC FADER 10KB	DD0411
P100	POT 20KK 9MM VRT MTG TW-ALPHA-	DM10030
P1001	POT 20K 9MM VERT 41 CLKS TWA R	DM10033
P101	POT 20KK 9MM VRT MTG TW-ALPHA-	DM10030
P102	POT 20KK 9MM VRT MTG TW-ALPHA-	DM10030
P103	POT 20K VRT MTG 9MM C/D TWA RV	DM10029
P104	POT 20K VRT MTG 9MM C/D TWA RV	DM10029
P200	POT 20KK 9MM VRT MTG TW-ALPHA-	DM10030
P201	POT 20KK 9MM VRT MTG TW-ALPHA-	DM10030
P202	POT 20KK 9MM VRT MTG TW-ALPHA-	DM10030
P203	POT 20K VRT MTG 9MM C/D TWA RV	DM10029
P204	POT 20K VRT MTG 9MM C/D TWA RV	DM10029
P300	POT 20KK 9MM VRT MTG TW-ALPHA-	DM10030
P301	POT 20KK 9MM VRT MTG TW-ALPHA-	DM10030
P302	POT 20KK 9MM VRT MTG TW-ALPHA-	DM10030
P303	POT 20K VRT MTG 9MM C/D TWA RV	DM10029
P304	POT 20K VRT MTG 9MM C/D TWA RV	DM10029
P400	POT 20KK 9MM VRT MTG TW-ALPHA-	DM10030
P401	POT 20KK 9MM VRT MTG TW-ALPHA-	DM10030
P402	POT 20KK 9MM VRT MTG TW-ALPHA-	DM10030
P403	POT 20K VRT MTG 9MM C/D TWA RV	DM10029
P404	POT 20K VRT MTG 9MM C/D TWA RV	DM10029
P500	POT 20KK 9MM VRT MTG TW-ALPHA-	DM10030
P501	POT 20KK 9MM VRT MTG TW-ALPHA-	DM10030
P502	POT 20KK 9MM VRT MTG TW-ALPHA-	DM10030
P503	POT 20K VRT MTG 9MM C/D TWA RV	DM10029
P504	POT 20K VRT MTG 9MM C/D TWA RV	DM10029
P600	POT 20KK 9MM VRT MTG TW-ALPHA-	DM10030
P601	POT 20KK 9MM VRT MTG TW-ALPHA-	DM10030
P602	POT 20KK 9MM VRT MTG TW-ALPHA-	DM10030
P603	POT 20K VRT MTG 9MM C/D TWA RV	DM10029
P604	POT 20K VRT MTG 9MM C/D TWA RV	DM10029
P700	POT 20KK 9MM VRT MTG TW-ALPHA-	DM10030
P701	POT 20KK 9MM VRT MTG TW-ALPHA-	DM10030
P702	POT 20KK 9MM VRT MTG TW-ALPHA-	DM10030
P703	POT 20K VRT MTG 9MM C/D TWA RV	DM10029
P704	POT 20K VRT MTG 9MM C/D TWA RV	DM10029
P800	POT 20KK 9MM VRT MTG TW-ALPHA-	DM10030
P801	POT 20KK 9MM VRT MTG TW-ALPHA-	DM10030
P802	POT 20KK 9MM VRT MTG TW-ALPHA-	DM10030

P803	POT 20K VRT MTG 9MM C/D TWA RV	DM10029
P804	POT 20K VRT MTG 9MM C/D TWA RV	DM10029
R119	MF 0.25W RES 1% 6K8 BL	API369
R120	MF 0.25W RES 1% 6K8 BL	API369
R219	MF 0.25W RES 1% 6K8 BL	API369
R220	MF 0.25W RES 1% 6K8 BL	API369
R319	MF 0.25W RES 1% 6K8 BL	API369
R320	MF 0.25W RES 1% 6K8 BL	API369
R419	MF 0.25W RES 1% 6K8 BL	API369
R420	MF 0.25W RES 1% 6K8 BL	API369
SW1	ALPS SWITCH L/TRAVEL VERT	DF0660
SW2	ALPS SWITCH L/TRAVEL VERT	DF0660
SW4	ALPS SWITCH L/TRAVEL VERT	DF0660
SW100	ALPS SWITCH L/TRAVEL VERT	DF0660
SW100I	ALPS SWT L/TRAVEL VERT MOM	DF0662
SW200	ALPS SWITCH L/TRAVEL VERT	DF0660
SW300	ALPS SWITCH L/TRAVEL VERT	DF0660
SW400	ALPS SWITCH L/TRAVEL VERT	DF0660
TR100	PNP TRANS 2SB737 LOW RBB	BD0346
TR10I	PNP TRANS 2SB737 LOW RBB	BD0346
TR200	PNP TRANS 2SB737 LOW RBB	BD0346
TR20I	PNP TRANS 2SB737 LOW RBB	BD0346
TR300	PNP TRANS 2SB737 LOW RBB	BD0346
TR30I	PNP TRANS 2SB737 LOW RBB	BD0346
TR400	PNP TRANS 2SB737 LOW RBB	BD0346
TR40I	PNP TRANS 2SB737 LOW RBB	BD0346
TR500	PNP TRANS 2SB737 LOW RBB	BD0346
TR50I	PNP TRANS 2SB737 LOW RBB	BD0346
TR600	PNP TRANS 2SB737 LOW RBB	BD0346
TR60I	PNP TRANS 2SB737 LOW RBB	BD0346
TR700	PNP TRANS 2SB737 LOW RBB	BD0346
TR70I	PNP TRANS 2SB737 LOW RBB	BD0346
TR800	PNP TRANS 2SB737 LOW RBB	BD0346
TR80I	PNP TRANS 2SB737 LOW RBB	BD0346
XT100I	XTAL 12.288MHZ HC49/4 XI0I-	ZE10005
ic100I	GIGRAC PROG.PIC V1.00	M-S2010A-1.00

PCBS

GR300 MIXER PCB ASSY. SM

Ident	Description	Part Number
---	PCB MIXER BOARD	S-S2010D-03
C1	CAP CER 100NF 10% 50V X7R	CS7104R-0805K
C2	CAP CER 270PF 5% 50V NPO	CS1271R-0805J
C4	CAP CER 22PF 5% 50V NPO	CS1220R-0805J
C5	CAP CER 22PF 5% 50V NPO	CS1220R-0805J
C12	CAP CER 22PF 5% 50V NPO	CS1220R-0805J
C20	CAP CER 270PF 5% 50V NPO	CS1271R-0805J
C21	CAP CER 1N 5% 50V COG	CS1102R-0805J
C22	CAP CER 470PF 5% 50V	CS1471R-0805J
C23	CAP CER 270PF 5% 50V NPO	CS1271R-0805J
C26	CAP CER 10NF 10% 50V X7R	CS7103R-0805K
C27	CAP CER 100NF 10% 50V X7R	CS7104R-0805K
C29	CAP CER 100NF 10% 50V X7R	CS7104R-0805K
C35	CAP CER 100NF 10% 50V X7R	CS7104R-0805K
C36	CAP CER 10NF 10% 50V X7R	CS7103R-0805K
C37	CAP CER 100NF 10% 50V X7R	CS7104R-0805K
C42	CAP CER 22PF 5% 50V NPO	CS1220R-0805J
C43	CAP CER 22PF 5% 50V NPO	CS1220R-0805J
C44	CAP CER 100NF 10% 50V X7R	CS7104R-0805K
C103	CAP CER 1N8 10% 100V X7R	CS7182R-0805K
C107	CAP CER 1N8 10% 100V X7R	CS7182R-0805K
C108	CAP CER 22PF 5% 50V NPO	CS1220R-0805J
C109	CAP CER 22PF 5% 50V NPO	CS1220R-0805J
C111	CAP CER 100NF 10% 50V X7R	CS7104R-0805K
C112	CAP CER 100NF 10% 50V X7R	CS7104R-0805K
C203	CAP CER 1N8 10% 100V X7R	CS7182R-0805K
C207	CAP CER 1N8 10% 100V X7R	CS7182R-0805K
C208	CAP CER 22PF 5% 50V NPO	CS1220R-0805J
C209	CAP CER 22PF 5% 50V NPO	CS1220R-0805J
C211	CAP CER 100NF 10% 50V X7R	CS7104R-0805K
C212	CAP CER 100NF 10% 50V X7R	CS7104R-0805K
C303	CAP CER 1N8 10% 100V X7R	CS7182R-0805K
C307	CAP CER 1N8 10% 100V X7R	CS7182R-0805K
C308	CAP CER 22PF 5% 50V NPO	CS1220R-0805J
C309	CAP CER 22PF 5% 50V NPO	CS1220R-0805J
C311	CAP CER 100NF 10% 50V X7R	CS7104R-0805K
C312	CAP CER 100NF 10% 50V X7R	CS7104R-0805K
C403	CAP CER 1N8 10% 100V X7R	CS7182R-0805K
C407	CAP CER 1N8 10% 100V X7R	CS7182R-0805K
C408	CAP CER 22PF 5% 50V NPO	CS1220R-0805J
C409	CAP CER 22PF 5% 50V NPO	CS1220R-0805J
C411	CAP CER 100NF 10% 50V X7R	CS7104R-0805K
C412	CAP CER 100NF 10% 50V X7R	CS7104R-0805K
C503	CAP CER 1N8 10% 100V X7R	CS7182R-0805K
C507	CAP CER 1N8 10% 100V X7R	CS7182R-0805K
C508	CAP CER 22PF 5% 50V NPO	CS1220R-0805J
C509	CAP CER 22PF 5% 50V NPO	CS1220R-0805J
C511	CAP CER 100NF 10% 50V X7R	CS7104R-0805K
C512	CAP CER 100NF 10% 50V X7R	CS7104R-0805K
C603	CAP CER 1N8 10% 100V X7R	CS7182R-0805K
C607	CAP CER 1N8 10% 100V X7R	CS7182R-0805K
C608	CAP CER 22PF 5% 50V NPO	CS1220R-0805J
C609	CAP CER 22PF 5% 50V NPO	CS1220R-0805J
C611	CAP CER 100NF 10% 50V X7R	CS7104R-0805K
C612	CAP CER 100NF 10% 50V X7R	CS7104R-0805K
C703	CAP CER 1N8 10% 100V X7R	CS7182R-0805K
C707	CAP CER 1N8 10% 100V X7R	CS7182R-0805K
C708	CAP CER 22PF 5% 50V NPO	CS1220R-0805J
C709	CAP CER 22PF 5% 50V NPO	CS1220R-0805J
C711	CAP CER 100NF 10% 50V X7R	CS7104R-0805K
C712	CAP CER 100NF 10% 50V X7R	CS7104R-0805K
C803	CAP CER 1N8 10% 100V X7R	CS7182R-0805K
C807	CAP CER 1N8 10% 100V X7R	CS7182R-0805K
C808	CAP CER 22PF 5% 50V NPO	CS1220R-0805J
C809	CAP CER 22PF 5% 50V NPO	CS1220R-0805J

C811	CAP CER 100NF 10% 50V X7R	CS7104R-0805K
C812	CAP CER 100NF 10% 50V X7R	CS7104R-0805K
C1002	CAP CER 100NF 10% 50V X7R	CS7104R-0805K
C1003	CAP CER 100NF 10% 50V X7R	CS7104R-0805K
C1004	CAP CER 100NF 10% 50V X7R	CS7104R-0805K
C1005	CAP CER 100NF 10% 50V X7R	CS7104R-0805K
C1006	CAP CER 100NF 10% 50V X7R	CS7104R-0805K
C1008	CAP CER 100NF 10% 50V X7R	CS7104R-0805K
C1009	CAP CER 47PF 5% 50V NPO	CS1470R-0805J
C1012	CAP CER 2N2 5% 50V NPO	CS1222R-0805J
C1019	CAP CER 10NF 10% 50V X7R	CS7103R-0805K
C1022	CAP CER 100NF 10% 50V X7R	CS7104R-0805K
C1023	CAP CER 100NF 10% 50V X7R	CS7104R-0805K
C1024	CAP CER 100NF 10% 50V X7R	CS7104R-0805K
C1025	CAP CER 100NF 10% 50V X7R	CS7104R-0805K
D1	BAV70 SM DUAL DIODE COM CATH	BS0013R-SOT23
D2	BAV70 SM DUAL DIODE COM CATH	BS0013R-SOT23
D3	BAV70 SM DUAL DIODE COM CATH	BS0013R-SOT23
D4	ZENER DIODE 300MW 6V8 BZX84C	BS0008R-SOT23
D5	BAV70 SM DUAL DIODE COM CATH	BS0013R-SOT23
D100	BAV70 SM DUAL DIODE COM CATH	BS0013R-SOT23
D1000	BAV70 SM DUAL DIODE COM CATH	BS0013R-SOT23
D101	BAV70 SM DUAL DIODE COM CATH	BS0013R-SOT23
D200	BAV70 SM DUAL DIODE COM CATH	BS0013R-SOT23
D201	BAV70 SM DUAL DIODE COM CATH	BS0013R-SOT23
D300	BAV70 SM DUAL DIODE COM CATH	BS0013R-SOT23
D301	BAV70 SM DUAL DIODE COM CATH	BS0013R-SOT23
D400	BAV70 SM DUAL DIODE COM CATH	BS0013R-SOT23
D401	BAV70 SM DUAL DIODE COM CATH	BS0013R-SOT23
D500	BAV70 SM DUAL DIODE COM CATH	BS0013R-SOT23
D501	BAV70 SM DUAL DIODE COM CATH	BS0013R-SOT23
D600	BAV70 SM DUAL DIODE COM CATH	BS0013R-SOT23
D601	BAV70 SM DUAL DIODE COM CATH	BS0013R-SOT23
D700	BAV70 SM DUAL DIODE COM CATH	BS0013R-SOT23
D701	BAV70 SM DUAL DIODE COM CATH	BS0013R-SOT23
D800	BAV70 SM DUAL DIODE COM CATH	BS0013R-SOT23
D801	BAV70 SM DUAL DIODE COM CATH	BS0013R-SOT23
FET1001	JFET P CHANNEL J175	BS10101-SOT23
IC1	NE5532 SM DUAL OP AMP	BS7009R-SO8
IC2	TL072CD SM DUAL OP AMP	BS7001R-SO8
IC4	NE5532 SM DUAL OP AMP	BS7009R-SO8
IC5	TL072CD SM DUAL OP AMP	BS7001R-SO8
IC7	TL074A SM QUAD OP-AMP	BS7002
IC8	TL074A SM QUAD OP-AMP	BS7002
IC9	LM2901 SM QUAD COMARATOR	BS7007R-SO14
IC10	LM2901 SM QUAD COMARATOR	BS7007R-SO14
IC11	LM2901 SM QUAD COMARATOR	BS7007R-SO14
IC100	TL072CD SM DUAL OP AMP	BS7001R-SO8
IC1002	TL072CD SM DUAL OP AMP	BS7001R-SO8
IC1003	AK4523 20BIT STERO CODEC	BS10102-VSOP28
IC1004	AL3201 SINGLE CHIP REVERB	BS10103-SOIC16
IC1006	TL072CD SM DUAL OP AMP	BS7001R-SO8
IC1007	REG.5V 1A MC7805CD2T-SM	BS10104-DPAK
IC200	TL072CD SM DUAL OP AMP	BS7001R-SO8
IC300	TL072CD SM DUAL OP AMP	BS7001R-SO8
IC400	TL072CD SM DUAL OP AMP	BS7001R-SO8
IC500	TL072CD SM DUAL OP AMP	BS7001R-SO8
IC600	TL072CD SM DUAL OP AMP	BS7001R-SO8
IC700	TL072CD SM DUAL OP AMP	BS7001R-SO8
IC800	TL072CD SM DUAL OP AMP	BS7001R-SO8
R1	SM0805 RES 47K 1% 0.1W T200	AS0473R-0805F
R2	SM0805 RES 30K 1% 0.1W T200	AS0303R-0805F
R3	SM0805 RES 1K 1% 0.1W T200	AS0102R-0805F
R4	SM0805 RES 47K 1% 0.1W T200	AS0473R-0805F
R5	SM0805 RES 4K3 1% 0.1W T200	AS0432R-0805F
R6	SM0805 RES 4K3 1% 0.1W T200	AS0432R-0805F
R7	SM0805 RES 4K3 1% 0.1W T200	AS0432R-0805F
R8	SM0805 RES 4K3 1% 0.1W T200	AS0432R-0805F
R9	SM0805 RES 75R 1% 0.1W T200	AS0750R-0805F
R10	SM0805 RES 75R 1% 0.1W T200	AS0750R-0805F
R11	SM0805 RES 75R 1% 0.1W T200	AS0750R-0805F
R12	SM0805 RES 75R 1% 0.1W T200	AS0750R-0805F
R13	SM0805 RES 47K 1% 0.1W T200	AS0473R-0805F

R14	SM0805 RES 47K 1% 0.1W T200	AS0473R-0805F
R15	SM0805 RES 3K9 1% 0.1W T200	AS0392R-0805F
R16	SM0805 RES 1K 1% 0.1W T200	AS0102R-0805F
R17	SM0805 RES 30K 1% 0.1W T200	AS0303R-0805F
R18	SM0805 RES 75R 1% 0.1W T200	AS0750R-0805F
R19	SM0805 RES 75R 1% 0.1W T200	AS0750R-0805F
R20	SM0805 RES 4K3 1% 0.1W T200	AS0432R-0805F
R21	SM0805 RES 620R 1% 0.1W T200	AS0621R-0805F
R22	SM0805 RES 4K3 1% 0.1W T200	AS0432R-0805F
R23	SM0805 RES 10K 1% 0.1W T200	AS0103R-0805F
R24	SM0805 RES 75R 1% 0.1W T200	AS0750R-0805F
R25	SM0805 RES 75R 1% 0.1W T200	AS0750R-0805F
R26	SM0805 RES 75R 1% 0.1W T200	AS0750R-0805F
R27	SM0805 RES 75R 1% 0.1W T200	AS0750R-0805F
R28	SM0805 RES 47K 1% 0.1W T200	AS0473R-0805F
R31	SM0805 RES 47K 1% 0.1W T200	AS0473R-0805F
R32	SM0805 RES 300K 1% 0.1W	AS0304R-0805F
R34	SM0805 RES 7K5 1% 0.1W T200	AS0752R-0805F
R35	SM0805 RES 7K5 1% 0.1W T200	AS0752R-0805F
R36	SM0805 RES 1K2 1% 0.1W T200	AS0122R-0805F
R37	SM0805 RES 220K 1% 0.1W T200	AS0224R-0805F
R38	SM0805 RES 1K 1% 0.1W T200	AS0102R-0805F
R39	SM0805 RES 220K 1% 0.1W T200	AS0224R-0805F
R40	SM0805 RES 1K 1% 0.1W T200	AS0102R-0805F
R41	SM0805 RES 220K 1% 0.1W T200	AS0224R-0805F
R42	SM0805 RES 1K 1% 0.1W T200	AS0102R-0805F
R43	SM0805 RES 220K 1% 0.1W T200	AS0224R-0805F
R44	SM0805 RES 1K2 1% 0.1W T200	AS0122R-0805F
R45	SM0805 RES 220K 1% 0.1W T200	AS0224R-0805F
R46	SM0805 RES 560R 1% 0.1W T200	AS0561R-0805F
R47	SM0805 RES 220K 1% 0.1W T200	AS0224R-0805F
R48	SM0805 RES 470R 1% 0.1W T200	AS0471R-0805F
R49	SM0805 RES 220K 1% 0.1W T200	AS0224R-0805F
R53	SM0805 RES 75R 1% 0.1W T200	AS0750R-0805F
R54	SM0805 RES 470R 1% 0.1W T200	AS0471R-0805F
R55	SM0805 RES 470R 1% 0.1W T200	AS0471R-0805F
R56	SM0805 RES 75R 1% 0.1W T200	AS0750R-0805F
R57	SM0805 RES 6K8 1% 0.1W T200	AS0682R-0805F
R58	SM0805 RES 6K8 1% 0.1W T200	AS0682R-0805F
R59	SM0805 RES 3K3 1% 0.1W T200	AS0332R-0805F
R60	SM0805 RES 9K1 1% 0.1W T200	AS0912R-0805F
R61	SM0805 RES 3K9 1% 0.1W T200	AS0392R-0805F
R62	SM0805 RES 1K5 1% 0.1W T200	AS0152R-0805F
R63	SM0805 RES 620R 1% 0.1W T200	AS0621R-0805F
R64	SM0805 RES 470R 1% 0.1W T200	AS0471R-0805F
R65	SM0805 RES 330R 1% 0.1W T200	AS0331R-0805F
R66	SM0805 RES 240R 1% 0.1W T200	AS0241R-0805F
R67	SM0805 RES 330R 1% 0.1W T200	AS0331R-0805F
R68	SM0805 RES 130R 1% 0.1W T200	AS0131R-0805F
R69	SM0805 RES 75R 1% 0.1W T200	AS0750R-0805F
R70	SM0805 RES 75R 1% 0.1W T200	AS0750R-0805F
R71	SM0805 RES 330R 1% 0.1W T200	AS0331R-0805F
R72	SM0805 RES 1M 1% 0.1W T200	AS0105R-0805F
R73	SM0805 RES 1K 1% 0.1W T200	AS0102R-0805F
R100	MMELF RES 10K 1% 0.2W 50BLF	AS2103R-0102F
R101	MMELF RES 10K 1% 0.2W 50BLF	AS2103R-0102F
R102	SURFACE MNT RES4K7 MICROMELF	ASA2472
R103	SURFACE MNT RES4K7 MICROMELF	ASA2472
R104	SM0805 RES 3K3 1% 0.1W T200	AS0332R-0805F
R105	SM0805 RES 3K3 1% 0.1W T200	AS0332R-0805F
R106	SM0805 RES 47K 1% 0.1W T200	AS0473R-0805F
R107	SM0805 RES 47K 1% 0.1W T200	AS0473R-0805F
R108	SM0805 RES 20K 1% 0.1W T200	AS0203R-0805F
R109	SM0805 RES 7K5 1% 0.1W T200	AS0752R-0805F
R110	SM0805 RES 7K5 1% 0.1W T200	AS0752R-0805F
R111	SM0805 RES 82R 1% 0.1W T200	AS0820R-0805F
R112	SURFACE MNT RES4K7 MICROMELF	ASA2472
R113	SM0805 RES 1K2 1% 0.1W T200	AS0122R-0805F
R114	SURFACE MNT RES4K7 MICROMELF	ASA2472
R115	MMELF RES 10K 1% 0.2W 50BLF	AS2103R-0102F
R116	MMELF RES 10K 1% 0.2W 50BLF	AS2103R-0102F
R117	SM0805 RES 10K 1% 0.1W T200	AS0103R-0805F
R118	SM0805 RES 10K 1% 0.1W T200	AS0103R-0805F

R121	SM0805 RES 7K5 1% 0.1W T200	AS0752R-0805F
R200	MMELF RES 10K 1% 0.2W 50BLF	AS2103R-0102F
R201	MMELF RES 10K 1% 0.2W 50BLF	AS2103R-0102F
R202	SURFACE MNT RES4K7 MICROMELF	ASA2472
R203	SURFACE MNT RES4K7 MICROMELF	ASA2472
R204	SM0805 RES 3K3 1% 0.1W T200	AS0332R-0805F
R205	SM0805 RES 3K3 1% 0.1W T200	AS0332R-0805F
R206	SM0805 RES 47K 1% 0.1W T200	AS0473R-0805F
R207	SM0805 RES 47K 1% 0.1W T200	AS0473R-0805F
R208	SM0805 RES 20K 1% 0.1W T200	AS0203R-0805F
R209	SM0805 RES 7K5 1% 0.1W T200	AS0752R-0805F
R210	SM0805 RES 7K5 1% 0.1W T200	AS0752R-0805F
R211	SM0805 RES 82R 1% 0.1W T200	AS0820R-0805F
R212	SURFACE MNT RES4K7 MICROMELF	ASA2472
R213	SM0805 RES 1K2 1% 0.1W T200	AS0122R-0805F
R214	SURFACE MNT RES4K7 MICROMELF	ASA2472
R215	MMELF RES 10K 1% 0.2W 50BLF	AS2103R-0102F
R216	MMELF RES 10K 1% 0.2W 50BLF	AS2103R-0102F
R217	SM0805 RES 10K 1% 0.1W T200	AS0103R-0805F
R218	SM0805 RES 10K 1% 0.1W T200	AS0103R-0805F
R221	SM0805 RES 7K5 1% 0.1W T200	AS0752R-0805F
R300	MMELF RES 10K 1% 0.2W 50BLF	AS2103R-0102F
R301	MMELF RES 10K 1% 0.2W 50BLF	AS2103R-0102F
R302	SURFACE MNT RES4K7 MICROMELF	ASA2472
R303	SURFACE MNT RES4K7 MICROMELF	ASA2472
R304	SM0805 RES 3K3 1% 0.1W T200	AS0332R-0805F
R305	SM0805 RES 3K3 1% 0.1W T200	AS0332R-0805F
R306	SM0805 RES 47K 1% 0.1W T200	AS0473R-0805F
R307	SM0805 RES 47K 1% 0.1W T200	AS0473R-0805F
R308	SM0805 RES 20K 1% 0.1W T200	AS0203R-0805F
R309	SM0805 RES 7K5 1% 0.1W T200	AS0752R-0805F
R310	SM0805 RES 7K5 1% 0.1W T200	AS0752R-0805F
R311	SM0805 RES 82R 1% 0.1W T200	AS0820R-0805F
R312	SURFACE MNT RES4K7 MICROMELF	ASA2472
R313	SM0805 RES 1K2 1% 0.1W T200	AS0122R-0805F
R314	SURFACE MNT RES4K7 MICROMELF	ASA2472
R315	MMELF RES 10K 1% 0.2W 50BLF	AS2103R-0102F
R316	MMELF RES 10K 1% 0.2W 50BLF	AS2103R-0102F
R317	SM0805 RES 10K 1% 0.1W T200	AS0103R-0805F
R318	SM0805 RES 10K 1% 0.1W T200	AS0103R-0805F
R321	SM0805 RES 7K5 1% 0.1W T200	AS0752R-0805F
R400	MMELF RES 10K 1% 0.2W 50BLF	AS2103R-0102F
R401	MMELF RES 10K 1% 0.2W 50BLF	AS2103R-0102F
R402	SURFACE MNT RES4K7 MICROMELF	ASA2472
R403	SURFACE MNT RES4K7 MICROMELF	ASA2472
R404	SM0805 RES 3K3 1% 0.1W T200	AS0332R-0805F
R405	SM0805 RES 3K3 1% 0.1W T200	AS0332R-0805F
R406	SM0805 RES 47K 1% 0.1W T200	AS0473R-0805F
R407	SM0805 RES 47K 1% 0.1W T200	AS0473R-0805F
R408	SM0805 RES 20K 1% 0.1W T200	AS0203R-0805F
R409	SM0805 RES 7K5 1% 0.1W T200	AS0752R-0805F
R410	SM0805 RES 7K5 1% 0.1W T200	AS0752R-0805F
R411	SM0805 RES 82R 1% 0.1W T200	AS0820R-0805F
R412	SURFACE MNT RES4K7 MICROMELF	ASA2472
R413	SM0805 RES 1K2 1% 0.1W T200	AS0122R-0805F
R414	SURFACE MNT RES4K7 MICROMELF	ASA2472
R415	MMELF RES 10K 1% 0.2W 50BLF	AS2103R-0102F
R416	MMELF RES 10K 1% 0.2W 50BLF	AS2103R-0102F
R417	SM0805 RES 10K 1% 0.1W T200	AS0103R-0805F
R418	SM0805 RES 10K 1% 0.1W T200	AS0103R-0805F
R421	SM0805 RES 7K5 1% 0.1W T200	AS0752R-0805F
R500	MMELF RES 10K 1% 0.2W 50BLF	AS2103R-0102F
R501	MMELF RES 10K 1% 0.2W 50BLF	AS2103R-0102F
R502	MMELF RES 1K2 1% 0.2W 50BLF	AS2122R-0102F
R503	MMELF RES 1K2 1% 0.2W 50BLF	AS2122R-0102F
R504	SM0805 RES 3K3 1% 0.1W T200	AS0332R-0805F
R505	SM0805 RES 3K3 1% 0.1W T200	AS0332R-0805F
R506	SM0805 RES 47K 1% 0.1W T200	AS0473R-0805F
R507	SM0805 RES 47K 1% 0.1W T200	AS0473R-0805F
R508	SM0805 RES 20K 1% 0.1W T200	AS0203R-0805F
R509	SM0805 RES 7K5 1% 0.1W T200	AS0752R-0805F
R510	SM0805 RES 7K5 1% 0.1W T200	AS0752R-0805F
R511	SURFACE MNT RES4K7 MICROMELF	ASA2472

R512	SM0805 RES 120R 1% 0.1W T200	AS0121R-0805F
R513	SURFACE MNT RES4K7 MICROMELF	ASA2472
R514	SURFACE MNT RES4K7 MICROMELF	ASA2472
R515	SURFACE MNT RES4K7 MICROMELF	ASA2472
R516	SM0805 RES 39K 1% 0.1W T200	AS0393R-0805F
R517	SM0805 RES 39K 1% 0.1W T200	AS0393R-0805F
R518	SM0805 RES 7K5 1% 0.1W T200	AS0752R-0805F
R519	SM0805 RES 39K 1% 0.1W T200	AS0393R-0805F
R520	SM0805 RES 39K 1% 0.1W T200	AS0393R-0805F
R600	MMELF RES 10K 1% 0.2W 50BLF	AS2103R-0102F
R601	MMELF RES 10K 1% 0.2W 50BLF	AS2103R-0102F
R602	MMELF RES 1K2 1% 0.2W 50BLF	AS2122R-0102F
R603	MMELF RES 1K2 1% 0.2W 50BLF	AS2122R-0102F
R604	SM0805 RES 3K3 1% 0.1W T200	AS0332R-0805F
R605	SM0805 RES 3K3 1% 0.1W T200	AS0332R-0805F
R606	SM0805 RES 47K 1% 0.1W T200	AS0473R-0805F
R607	SM0805 RES 47K 1% 0.1W T200	AS0473R-0805F
R608	SM0805 RES 20K 1% 0.1W T200	AS0203R-0805F
R609	SM0805 RES 7K5 1% 0.1W T200	AS0752R-0805F
R610	SM0805 RES 7K5 1% 0.1W T200	AS0752R-0805F
R611	SURFACE MNT RES4K7 MICROMELF	ASA2472
R612	SM0805 RES 120R 1% 0.1W T200	AS0121R-0805F
R613	SURFACE MNT RES4K7 MICROMELF	ASA2472
R614	SURFACE MNT RES4K7 MICROMELF	ASA2472
R615	SURFACE MNT RES4K7 MICROMELF	ASA2472
R616	SM0805 RES 39K 1% 0.1W T200	AS0393R-0805F
R617	SM0805 RES 39K 1% 0.1W T200	AS0393R-0805F
R618	SM0805 RES 7K5 1% 0.1W T200	AS0752R-0805F
R619	SM0805 RES 39K 1% 0.1W T200	AS0393R-0805F
R620	SM0805 RES 39K 1% 0.1W T200	AS0393R-0805F
R700	MMELF RES 10K 1% 0.2W 50BLF	AS2103R-0102F
R701	MMELF RES 10K 1% 0.2W 50BLF	AS2103R-0102F
R702	MMELF RES 1K2 1% 0.2W 50BLF	AS2122R-0102F
R703	MMELF RES 1K2 1% 0.2W 50BLF	AS2122R-0102F
R704	SM0805 RES 3K3 1% 0.1W T200	AS0332R-0805F
R705	SM0805 RES 3K3 1% 0.1W T200	AS0332R-0805F
R706	SM0805 RES 47K 1% 0.1W T200	AS0473R-0805F
R707	SM0805 RES 47K 1% 0.1W T200	AS0473R-0805F
R708	SM0805 RES 20K 1% 0.1W T200	AS0203R-0805F
R709	SM0805 RES 7K5 1% 0.1W T200	AS0752R-0805F
R710	SM0805 RES 7K5 1% 0.1W T200	AS0752R-0805F
R711	SURFACE MNT RES4K7 MICROMELF	ASA2472
R712	SM0805 RES 120R 1% 0.1W T200	AS0121R-0805F
R713	SURFACE MNT RES4K7 MICROMELF	ASA2472
R714	SURFACE MNT RES4K7 MICROMELF	ASA2472
R715	SURFACE MNT RES4K7 MICROMELF	ASA2472
R716	SM0805 RES 39K 1% 0.1W T200	AS0393R-0805F
R717	SM0805 RES 39K 1% 0.1W T200	AS0393R-0805F
R718	SM0805 RES 7K5 1% 0.1W T200	AS0752R-0805F
R719	SM0805 RES 39K 1% 0.1W T200	AS0393R-0805F
R720	SM0805 RES 39K 1% 0.1W T200	AS0393R-0805F
R800	MMELF RES 10K 1% 0.2W 50BLF	AS2103R-0102F
R801	MMELF RES 10K 1% 0.2W 50BLF	AS2103R-0102F
R802	MMELF RES 1K2 1% 0.2W 50BLF	AS2122R-0102F
R803	MMELF RES 1K2 1% 0.2W 50BLF	AS2122R-0102F
R804	SM0805 RES 3K3 1% 0.1W T200	AS0332R-0805F
R805	SM0805 RES 3K3 1% 0.1W T200	AS0332R-0805F
R806	SM0805 RES 47K 1% 0.1W T200	AS0473R-0805F
R807	SM0805 RES 47K 1% 0.1W T200	AS0473R-0805F
R808	SM0805 RES 20K 1% 0.1W T200	AS0203R-0805F
R809	SM0805 RES 7K5 1% 0.1W T200	AS0752R-0805F
R810	SM0805 RES 7K5 1% 0.1W T200	AS0752R-0805F
R811	SURFACE MNT RES4K7 MICROMELF	ASA2472
R812	SM0805 RES 120R 1% 0.1W T200	AS0121R-0805F
R813	SURFACE MNT RES4K7 MICROMELF	ASA2472
R814	SURFACE MNT RES4K7 MICROMELF	ASA2472
R815	SURFACE MNT RES4K7 MICROMELF	ASA2472
R816	SM0805 RES 39K 1% 0.1W T200	AS0393R-0805F
R817	SM0805 RES 39K 1% 0.1W T200	AS0393R-0805F
R818	SM0805 RES 7K5 1% 0.1W T200	AS0752R-0805F
R819	SM0805 RES 39K 1% 0.1W T200	AS0393R-0805F
R820	SM0805 RES 39K 1% 0.1W T200	AS0393R-0805F
R1001	SM0805 RES 10K 1% 0.1W T200	AS0103R-0805F

R1002	SM0805 RES 100R 1% 0.1W T200	AS0101R-0805F
R1003	SM0805 RES 150K 1% 0.1W T200	AS0154R-0805F
R1004	SM0805 RES 470R 1% 0.1W T200	AS0471R-0805F
R1005	SM0805 RES 470R 1% 0.1W T200	AS0471R-0805F
R1006	SM0805 RES 10K 1% 0.1W T200	AS0103R-0805F
R1007	SM0805 RES 470R 1% 0.1W T200	AS0471R-0805F
R1008	SM0805 RES 470K 1% 0.1W T200	AS0474R-0805F
R1009	SM0805 RES 33K 1% 0.1W T200	AS0333R-0805F
R1010	SM0805 RES 4K3 1% 0.1W T200	AS0432R-0805F
R1011	SM0805 RES 10K 1% 0.1W T200	AS0103R-0805F
R1012	SM0805 RES 10K 1% 0.1W T200	AS0103R-0805F
R1014	SM0805 RES 10K 1% 0.1W T200	AS0103R-0805F
R1015	SM0805 RES 4M7 1% 0.1W T200	AS0475R-0805F
R1016	SM0805 RES 3K3 1% 0.1W T200	AS0332R-0805F
R1017	SM0805 RES 75R 1% 0.1W T200	AS0750R-0805F
R1018	SM0805 RES 1M 1% 0.1W T200	AS0105R-0805F
TR1	TRANS BC856B-SOT23 PNP XES0-	BD10027
TR2	NPN TRANS BC846B	BS0506R-SOT23

GR600 MIXER PCB ASSY. SM

Ident	Description
---	PCB MIXER BOARD
C1	CAP CER 100NF 10% 50V X7R
C2	CAP CER 270PF 5% 50V NPO
C4	CAP CER 22PF 5% 50V NPO
C5	CAP CER 22PF 5% 50V NPO
C12	CAP CER 22PF 5% 50V NPO
C20	CAP CER 270PF 5% 50V NPO
C21	CAP CER 1N 5% 50V COG
C22	CAP CER 470PF 5% 50V
C23	CAP CER 270PF 5% 50V NPO
C26	CAP CER 10NF 10% 50V X7R
C27	CAP CER 100NF 10% 50V X7R
C29	CAP CER 100NF 10% 50V X7R
C35	CAP CER 100NF 10% 50V X7R
C36	CAP CER 10NF 10% 50V X7R
C37	CAP CER 100NF 10% 50V X7R
C42	CAP CER 22PF 5% 50V NPO
C43	CAP CER 22PF 5% 50V NPO
C44	CAP CER 100NF 10% 50V X7R
C103	CAP CER 1N8 10% 100V X7R
C107	CAP CER 1N8 10% 100V X7R
C108	CAP CER 22PF 5% 50V NPO
C109	CAP CER 22PF 5% 50V NPO
C111	CAP CER 100NF 10% 50V X7R
C112	CAP CER 100NF 10% 50V X7R
C203	CAP CER 1N8 10% 100V X7R
C207	CAP CER 1N8 10% 100V X7R
C208	CAP CER 22PF 5% 50V NPO
C209	CAP CER 22PF 5% 50V NPO
C211	CAP CER 100NF 10% 50V X7R
C212	CAP CER 100NF 10% 50V X7R
C303	CAP CER 1N8 10% 100V X7R
C307	CAP CER 1N8 10% 100V X7R
C308	CAP CER 22PF 5% 50V NPO
C309	CAP CER 22PF 5% 50V NPO
C311	CAP CER 100NF 10% 50V X7R
C312	CAP CER 100NF 10% 50V X7R
C403	CAP CER 1N8 10% 100V X7R
C407	CAP CER 1N8 10% 100V X7R
C408	CAP CER 22PF 5% 50V NPO
C409	CAP CER 22PF 5% 50V NPO
C411	CAP CER 100NF 10% 50V X7R
C412	CAP CER 100NF 10% 50V X7R
C503	CAP CER 1N8 10% 100V X7R
C507	CAP CER 1N8 10% 100V X7R
C508	CAP CER 22PF 5% 50V NPO
C509	CAP CER 22PF 5% 50V NPO
C511	CAP CER 100NF 10% 50V X7R
C512	CAP CER 100NF 10% 50V X7R
C603	CAP CER 1N8 10% 100V X7R
C607	CAP CER 1N8 10% 100V X7R

R-S2010DB-03-SM

Part Number
S-S2010D-03
CS7104R-0805K
CS1271R-0805J
CS1220R-0805J
CS1220R-0805J
CS1220R-0805J
CS1271R-0805J
CS1102R-0805J
CS1471R-0805J
CS1271R-0805J
CS7103R-0805K
CS7104R-0805K
CS7104R-0805K
CS7104R-0805K
CS7104R-0805K
CS7103R-0805K
CS7104R-0805K
CS1220R-0805J
CS1220R-0805J
CS7104R-0805K
CS7182R-0805K
CS7104R-0805K
CS7182R-0805K
CS7182R-0805K
CS1220R-0805J
CS1220R-0805J
CS7104R-0805K
CS7104R-0805K
CS7182R-0805K
CS7182R-0805K
CS1220R-0805J
CS1220R-0805J
CS7104R-0805K
CS7104R-0805K
CS7182R-0805K
CS7182R-0805K
CS1220R-0805J
CS1220R-0805J
CS7104R-0805K
CS7104R-0805K
CS7182R-0805K
CS7182R-0805K
CS1220R-0805J
CS1220R-0805J
CS7104R-0805K
CS7104R-0805K
CS7182R-0805K
CS7182R-0805K
CS1220R-0805J
CS1220R-0805J
CS7104R-0805K
CS7104R-0805K
CS7182R-0805K
CS7182R-0805K

C608	CAP CER 22PF 5% 50V NP0	CS1220R-0805J
C609	CAP CER 22PF 5% 50V NP0	CS1220R-0805J
C611	CAP CER 100NF 10% 50V X7R	CS7104R-0805K
C612	CAP CER 100NF 10% 50V X7R	CS7104R-0805K
C703	CAP CER 1N8 10% 100V X7R	CS7182R-0805K
C707	CAP CER 1N8 10% 100V X7R	CS7182R-0805K
C708	CAP CER 22PF 5% 50V NP0	CS1220R-0805J
C709	CAP CER 22PF 5% 50V NP0	CS1220R-0805J
C711	CAP CER 100NF 10% 50V X7R	CS7104R-0805K
C712	CAP CER 100NF 10% 50V X7R	CS7104R-0805K
C803	CAP CER 1N8 10% 100V X7R	CS7182R-0805K
C807	CAP CER 1N8 10% 100V X7R	CS7182R-0805K
C808	CAP CER 22PF 5% 50V NP0	CS1220R-0805J
C809	CAP CER 22PF 5% 50V NP0	CS1220R-0805J
C811	CAP CER 100NF 10% 50V X7R	CS7104R-0805K
C812	CAP CER 100NF 10% 50V X7R	CS7104R-0805K
C1002	CAP CER 100NF 10% 50V X7R	CS7104R-0805K
C1003	CAP CER 100NF 10% 50V X7R	CS7104R-0805K
C1004	CAP CER 100NF 10% 50V X7R	CS7104R-0805K
C1005	CAP CER 100NF 10% 50V X7R	CS7104R-0805K
C1006	CAP CER 100NF 10% 50V X7R	CS7104R-0805K
C1008	CAP CER 100NF 10% 50V X7R	CS7104R-0805K
C1009	CAP CER 47PF 5% 50V NPO	CS1470R-0805J
C1012	CAP CER 2N2 5% 50V NPO	CS1222R-0805J
C1019	CAP CER 10NF 10% 50V X7R	CS7103R-0805K
C1022	CAP CER 100NF 10% 50V X7R	CS7104R-0805K
C1023	CAP CER 100NF 10% 50V X7R	CS7104R-0805K
C1024	CAP CER 100NF 10% 50V X7R	CS7104R-0805K
C1025	CAP CER 100NF 10% 50V X7R	CS7104R-0805K
D1	BAV70 SM DUAL DIODE COM CATH	BS0013R-SOT23
D2	BAV70 SM DUAL DIODE COM CATH	BS0013R-SOT23
D3	BAV70 SM DUAL DIODE COM CATH	BS0013R-SOT23
D4	ZENER DIODE 300MW 6V8 BZX84C	BS0008R-SOT23
D5	BAV70 SM DUAL DIODE COM CATH	BS0013R-SOT23
D100	BAV70 SM DUAL DIODE COM CATH	BS0013R-SOT23
D1000	BAV70 SM DUAL DIODE COM CATH	BS0013R-SOT23
D101	BAV70 SM DUAL DIODE COM CATH	BS0013R-SOT23
D200	BAV70 SM DUAL DIODE COM CATH	BS0013R-SOT23
D201	BAV70 SM DUAL DIODE COM CATH	BS0013R-SOT23
D300	BAV70 SM DUAL DIODE COM CATH	BS0013R-SOT23
D301	BAV70 SM DUAL DIODE COM CATH	BS0013R-SOT23
D400	BAV70 SM DUAL DIODE COM CATH	BS0013R-SOT23
D401	BAV70 SM DUAL DIODE COM CATH	BS0013R-SOT23
D500	BAV70 SM DUAL DIODE COM CATH	BS0013R-SOT23
D501	BAV70 SM DUAL DIODE COM CATH	BS0013R-SOT23
D600	BAV70 SM DUAL DIODE COM CATH	BS0013R-SOT23
D601	BAV70 SM DUAL DIODE COM CATH	BS0013R-SOT23
D700	BAV70 SM DUAL DIODE COM CATH	BS0013R-SOT23
D701	BAV70 SM DUAL DIODE COM CATH	BS0013R-SOT23
D800	BAV70 SM DUAL DIODE COM CATH	BS0013R-SOT23
D801	BAV70 SM DUAL DIODE COM CATH	BS0013R-SOT23
FET1001	JFET P CHANNEL J175	BS10101-SOT23
IC1	NE5532 SM DUAL OP AMP	BS7009R-SO8
IC2	TL072CD SM DUAL OP AMP	BS7001R-SO8
IC4	NE5532 SM DUAL OP AMP	BS7009R-SO8
IC5	TL072CD SM DUAL OP AMP	BS7001R-SO8
IC7	TL074A SM QUAD OP-AMP	BS7002
IC8	TL074A SM QUAD OP-AMP	BS7002
IC9	LM2901 SM QUAD COMARATOR	BS7007R-SO14
IC10	LM2901 SM QUAD COMARATOR	BS7007R-SO14
IC11	LM2901 SM QUAD COMARATOR	BS7007R-SO14
IC100	TL072CD SM DUAL OP AMP	BS7001R-SO8
IC1002	TL072CD SM DUAL OP AMP	BS7001R-SO8
IC1003	AK4523 20BIT STERO CODEC	BS10102-VSOP28
IC1004	AL3201 SINGLE CHIP REVERB	BS10103-SOIC16
IC1006	TL072CD SM DUAL OP AMP	BS7001R-SO8
IC1007	REG.5V 1A MC7805CD2T-SM	BS10104-DPAK
IC200	TL072CD SM DUAL OP AMP	BS7001R-SO8
IC300	TL072CD SM DUAL OP AMP	BS7001R-SO8
IC400	TL072CD SM DUAL OP AMP	BS7001R-SO8
IC500	TL072CD SM DUAL OP AMP	BS7001R-SO8
IC600	TL072CD SM DUAL OP AMP	BS7001R-SO8
IC700	TL072CD SM DUAL OP AMP	BS7001R-SO8

IC800	TL072CD SM DUAL OP AMP	BS7001R-SO8
R1	SM0805 RES 47K 1% 0.1W T200	AS0473R-0805F
R2	SM0805 RES 30K 1% 0.1W T200	AS0303R-0805F
R3	SM0805 RES 1K 1% 0.1W T200	AS0102R-0805F
R4	SM0805 RES 47K 1% 0.1W T200	AS0473R-0805F
R5	SM0805 RES 4K3 1% 0.1W T200	AS0432R-0805F
R6	SM0805 RES 4K3 1% 0.1W T200	AS0432R-0805F
R7	SM0805 RES 4K3 1% 0.1W T200	AS0432R-0805F
R8	SM0805 RES 4K3 1% 0.1W T200	AS0432R-0805F
R9	SM0805 RES 75R 1% 0.1W T200	AS0750R-0805F
R10	SM0805 RES 75R 1% 0.1W T200	AS0750R-0805F
R11	SM0805 RES 75R 1% 0.1W T200	AS0750R-0805F
R12	SM0805 RES 75R 1% 0.1W T200	AS0750R-0805F
R13	SM0805 RES 47K 1% 0.1W T200	AS0473R-0805F
R14	SM0805 RES 47K 1% 0.1W T200	AS0473R-0805F
R15	SM0805 RES 3K9 1% 0.1W T200	AS0392R-0805F
R16	SM0805 RES 1K 1% 0.1W T200	AS0102R-0805F
R17	SM0805 RES 30K 1% 0.1W T200	AS0303R-0805F
R18	SM0805 RES 75R 1% 0.1W T200	AS0750R-0805F
R19	SM0805 RES 75R 1% 0.1W T200	AS0750R-0805F
R20	SM0805 RES 4K3 1% 0.1W T200	AS0432R-0805F
R21	SM0805 RES 620R 1% 0.1W T200	AS0621R-0805F
R22	SM0805 RES 4K3 1% 0.1W T200	AS0432R-0805F
R23	SM0805 RES 10K 1% 0.1W T200	AS0103R-0805F
R26	SM0805 RES 75R 1% 0.1W T200	AS0750R-0805F
R27	SM0805 RES 75R 1% 0.1W T200	AS0750R-0805F
R28	SM0805 RES 47K 1% 0.1W T200	AS0473R-0805F
R31	SM0805 RES 47K 1% 0.1W T200	AS0473R-0805F
R32	SM0805 RES 300K 1% 0.1W	AS0304R-0805F
R34	SM0805 RES 7K5 1% 0.1W T200	AS0752R-0805F
R35	SM0805 RES 7K5 1% 0.1W T200	AS0752R-0805F
R36	SM0805 RES 1K2 1% 0.1W T200	AS0122R-0805F
R37	SM0805 RES 220K 1% 0.1W T200	AS0224R-0805F
R38	SM0805 RES 1K 1% 0.1W T200	AS0102R-0805F
R39	SM0805 RES 220K 1% 0.1W T200	AS0224R-0805F
R40	SM0805 RES 1K 1% 0.1W T200	AS0102R-0805F
R41	SM0805 RES 220K 1% 0.1W T200	AS0224R-0805F
R42	SM0805 RES 1K 1% 0.1W T200	AS0102R-0805F
R43	SM0805 RES 220K 1% 0.1W T200	AS0224R-0805F
R44	SM0805 RES 1K2 1% 0.1W T200	AS0122R-0805F
R45	SM0805 RES 220K 1% 0.1W T200	AS0224R-0805F
R46	SM0805 RES 560R 1% 0.1W T200	AS0561R-0805F
R47	SM0805 RES 220K 1% 0.1W T200	AS0224R-0805F
R48	SM0805 RES 470R 1% 0.1W T200	AS0471R-0805F
R49	SM0805 RES 220K 1% 0.1W T200	AS0224R-0805F
R53	SM0805 RES 75R 1% 0.1W T200	AS0750R-0805F
R54	SM0805 RES 470R 1% 0.1W T200	AS0471R-0805F
R55	SM0805 RES 470R 1% 0.1W T200	AS0471R-0805F
R56	SM0805 RES 75R 1% 0.1W T200	AS0750R-0805F
R57	SM0805 RES 6K8 1% 0.1W T200	AS0682R-0805F
R58	SM0805 RES 6K8 1% 0.1W T200	AS0682R-0805F
R59	SM0805 RES 3K3 1% 0.1W T200	AS0332R-0805F
R60	SM0805 RES 9K1 1% 0.1W T200	AS0912R-0805F
R61	SM0805 RES 3K9 1% 0.1W T200	AS0392R-0805F
R62	SM0805 RES 1K5 1% 0.1W T200	AS0152R-0805F
R63	SM0805 RES 620R 1% 0.1W T200	AS0621R-0805F
R64	SM0805 RES 470R 1% 0.1W T200	AS0471R-0805F
R65	SM0805 RES 330R 1% 0.1W T200	AS0331R-0805F
R66	SM0805 RES 240R 1% 0.1W T200	AS0241R-0805F
R67	SM0805 RES 330R 1% 0.1W T200	AS0331R-0805F
R68	SM0805 RES 130R 1% 0.1W T200	AS0131R-0805F
R69	SM0805 RES 75R 1% 0.1W T200	AS0750R-0805F
R70	SM0805 RES 75R 1% 0.1W T200	AS0750R-0805F
R71	SM0805 RES 330R 1% 0.1W T200	AS0331R-0805F
R72	SM0805 RES 1M 1% 0.1W T200	AS0105R-0805F
R73	SM0805 RES 1K 1% 0.1W T200	AS0102R-0805F
R100	MMELF RES 10K 1% 0.2W 50BLF	AS2103R-0102F
R101	MMELF RES 10K 1% 0.2W 50BLF	AS2103R-0102F
R102	SURFACE MNT RES4K7 MICROMELF	ASA2472
R103	SURFACE MNT RES4K7 MICROMELF	ASA2472
R104	SM0805 RES 3K3 1% 0.1W T200	AS0332R-0805F
R105	SM0805 RES 3K3 1% 0.1W T200	AS0332R-0805F
R106	SM0805 RES 47K 1% 0.1W T200	AS0473R-0805F

R107	SM0805 RES 47K 1% 0.1W T200	AS0473R-0805F
R108	SM0805 RES 20K 1% 0.1W T200	AS0203R-0805F
R109	SM0805 RES 7K5 1% 0.1W T200	AS0752R-0805F
R110	SM0805 RES 7K5 1% 0.1W T200	AS0752R-0805F
R111	SM0805 RES 82R 1% 0.1W T200	AS0820R-0805F
R112	SURFACE MNT RES4K7 MICROMELF	ASA2472
R113	SM0805 RES 1K2 1% 0.1W T200	AS0122R-0805F
R114	SURFACE MNT RES4K7 MICROMELF	ASA2472
R115	MMELF RES 10K 1% 0.2W 50BLF	AS2103R-0102F
R116	MMELF RES 10K 1% 0.2W 50BLF	AS2103R-0102F
R117	SM0805 RES 10K 1% 0.1W T200	AS0103R-0805F
R118	SM0805 RES 10K 1% 0.1W T200	AS0103R-0805F
R121	SM0805 RES 7K5 1% 0.1W T200	AS0752R-0805F
R200	MMELF RES 10K 1% 0.2W 50BLF	AS2103R-0102F
R201	MMELF RES 10K 1% 0.2W 50BLF	AS2103R-0102F
R202	SURFACE MNT RES4K7 MICROMELF	ASA2472
R203	SURFACE MNT RES4K7 MICROMELF	ASA2472
R204	SM0805 RES 3K3 1% 0.1W T200	AS0332R-0805F
R205	SM0805 RES 3K3 1% 0.1W T200	AS0332R-0805F
R206	SM0805 RES 47K 1% 0.1W T200	AS0473R-0805F
R207	SM0805 RES 47K 1% 0.1W T200	AS0473R-0805F
R208	SM0805 RES 20K 1% 0.1W T200	AS0203R-0805F
R209	SM0805 RES 7K5 1% 0.1W T200	AS0752R-0805F
R210	SM0805 RES 7K5 1% 0.1W T200	AS0752R-0805F
R211	SM0805 RES 82R 1% 0.1W T200	AS0820R-0805F
R212	SURFACE MNT RES4K7 MICROMELF	ASA2472
R213	SM0805 RES 1K2 1% 0.1W T200	AS0122R-0805F
R214	SURFACE MNT RES4K7 MICROMELF	ASA2472
R215	MMELF RES 10K 1% 0.2W 50BLF	AS2103R-0102F
R216	MMELF RES 10K 1% 0.2W 50BLF	AS2103R-0102F
R217	SM0805 RES 10K 1% 0.1W T200	AS0103R-0805F
R218	SM0805 RES 10K 1% 0.1W T200	AS0103R-0805F
R221	SM0805 RES 7K5 1% 0.1W T200	AS0752R-0805F
R300	MMELF RES 10K 1% 0.2W 50BLF	AS2103R-0102F
R301	MMELF RES 10K 1% 0.2W 50BLF	AS2103R-0102F
R302	SURFACE MNT RES4K7 MICROMELF	ASA2472
R303	SURFACE MNT RES4K7 MICROMELF	ASA2472
R304	SM0805 RES 3K3 1% 0.1W T200	AS0332R-0805F
R305	SM0805 RES 3K3 1% 0.1W T200	AS0332R-0805F
R306	SM0805 RES 47K 1% 0.1W T200	AS0473R-0805F
R307	SM0805 RES 47K 1% 0.1W T200	AS0473R-0805F
R308	SM0805 RES 20K 1% 0.1W T200	AS0203R-0805F
R309	SM0805 RES 7K5 1% 0.1W T200	AS0752R-0805F
R310	SM0805 RES 7K5 1% 0.1W T200	AS0752R-0805F
R311	SM0805 RES 82R 1% 0.1W T200	AS0820R-0805F
R312	SURFACE MNT RES4K7 MICROMELF	ASA2472
R313	SM0805 RES 1K2 1% 0.1W T200	AS0122R-0805F
R314	SURFACE MNT RES4K7 MICROMELF	ASA2472
R314	MMELF RES 10K 1% 0.2W 50BLF	AS2103R-0102F
R315	MMELF RES 10K 1% 0.2W 50BLF	AS2103R-0102F
R317	SM0805 RES 10K 1% 0.1W T200	AS0103R-0805F
R318	SM0805 RES 10K 1% 0.1W T200	AS0103R-0805F
R321	SM0805 RES 7K5 1% 0.1W T200	AS0752R-0805F
R400	MMELF RES 10K 1% 0.2W 50BLF	AS2103R-0102F
R401	MMELF RES 10K 1% 0.2W 50BLF	AS2103R-0102F
R402	SURFACE MNT RES4K7 MICROMELF	ASA2472
R403	SURFACE MNT RES4K7 MICROMELF	ASA2472
R404	SM0805 RES 3K3 1% 0.1W T200	AS0332R-0805F
R405	SM0805 RES 3K3 1% 0.1W T200	AS0332R-0805F
R406	SM0805 RES 47K 1% 0.1W T200	AS0473R-0805F
R407	SM0805 RES 47K 1% 0.1W T200	AS0473R-0805F
R408	SM0805 RES 20K 1% 0.1W T200	AS0203R-0805F
R409	SM0805 RES 7K5 1% 0.1W T200	AS0752R-0805F
R410	SM0805 RES 7K5 1% 0.1W T200	AS0752R-0805F
R411	SM0805 RES 82R 1% 0.1W T200	AS0820R-0805F
R412	SURFACE MNT RES4K7 MICROMELF	ASA2472
R413	SM0805 RES 1K2 1% 0.1W T200	AS0122R-0805F
R414	SURFACE MNT RES4K7 MICROMELF	ASA2472
R415	MMELF RES 10K 1% 0.2W 50BLF	AS2103R-0102F
R416	MMELF RES 10K 1% 0.2W 50BLF	AS2103R-0102F
R417	SM0805 RES 10K 1% 0.1W T200	AS0103R-0805F
R418	SM0805 RES 10K 1% 0.1W T200	AS0103R-0805F
R421	SM0805 RES 7K5 1% 0.1W T200	AS0752R-0805F

R500	MMELF RES 10K 1% 0.2W 50BLF	AS2103R-0102F
R501	MMELF RES 10K 1% 0.2W 50BLF	AS2103R-0102F
R502	MMELF RES 1K2 1% 0.2W 50BLF	AS2122R-0102F
R503	MMELF RES 1K2 1% 0.2W 50BLF	AS2122R-0102F
R504	SM0805 RES 3K3 1% 0.1W T200	AS0332R-0805F
R505	SM0805 RES 3K3 1% 0.1W T200	AS0332R-0805F
R506	SM0805 RES 47K 1% 0.1W T200	AS0473R-0805F
R507	SM0805 RES 47K 1% 0.1W T200	AS0473R-0805F
R508	SM0805 RES 20K 1% 0.1W T200	AS0203R-0805F
R509	SM0805 RES 7K5 1% 0.1W T200	AS0752R-0805F
R510	SM0805 RES 7K5 1% 0.1W T200	AS0752R-0805F
R511	SURFACE MNT RES4K7 MICROMELF	ASA2472
R512	SM0805 RES 120R 1% 0.1W T200	AS0121R-0805F
R513	SURFACE MNT RES4K7 MICROMELF	ASA2472
R514	SURFACE MNT RES4K7 MICROMELF	ASA2472
R515	SURFACE MNT RES4K7 MICROMELF	ASA2472
R516	SM0805 RES 39K 1% 0.1W T200	AS0393R-0805F
R517	SM0805 RES 39K 1% 0.1W T200	AS0393R-0805F
R518	SM0805 RES 7K5 1% 0.1W T200	AS0752R-0805F
R519	SM0805 RES 39K 1% 0.1W T200	AS0393R-0805F
R520	SM0805 RES 39K 1% 0.1W T200	AS0393R-0805F
R600	MMELF RES 10K 1% 0.2W 50BLF	AS2103R-0102F
R601	MMELF RES 10K 1% 0.2W 50BLF	AS2103R-0102F
R602	MMELF RES 1K2 1% 0.2W 50BLF	AS2122R-0102F
R603	MMELF RES 1K2 1% 0.2W 50BLF	AS2122R-0102F
R604	SM0805 RES 3K3 1% 0.1W T200	AS0332R-0805F
R605	SM0805 RES 3K3 1% 0.1W T200	AS0332R-0805F
R606	SM0805 RES 47K 1% 0.1W T200	AS0473R-0805F
R607	SM0805 RES 47K 1% 0.1W T200	AS0473R-0805F
R608	SM0805 RES 20K 1% 0.1W T200	AS0203R-0805F
R609	SM0805 RES 7K5 1% 0.1W T200	AS0752R-0805F
R610	SM0805 RES 7K5 1% 0.1W T200	AS0752R-0805F
R611	SURFACE MNT RES4K7 MICROMELF	ASA2472
R612	SM0805 RES 120R 1% 0.1W T200	AS0121R-0805F
R613	SURFACE MNT RES4K7 MICROMELF	ASA2472
R614	SURFACE MNT RES4K7 MICROMELF	ASA2472
R615	SURFACE MNT RES4K7 MICROMELF	ASA2472
R616	SM0805 RES 39K 1% 0.1W T200	AS0393R-0805F
R617	SM0805 RES 39K 1% 0.1W T200	AS0393R-0805F
R618	SM0805 RES 7K5 1% 0.1W T200	AS0752R-0805F
R619	SM0805 RES 39K 1% 0.1W T200	AS0393R-0805F
R620	SM0805 RES 39K 1% 0.1W T200	AS0393R-0805F
R700	MMELF RES 10K 1% 0.2W 50BLF	AS2103R-0102F
R701	MMELF RES 10K 1% 0.2W 50BLF	AS2103R-0102F
R702	MMELF RES 1K2 1% 0.2W 50BLF	AS2122R-0102F
R703	MMELF RES 1K2 1% 0.2W 50BLF	AS2122R-0102F
R704	SM0805 RES 3K3 1% 0.1W T200	AS0332R-0805F
R705	SM0805 RES 3K3 1% 0.1W T200	AS0332R-0805F
R706	SM0805 RES 47K 1% 0.1W T200	AS0473R-0805F
R707	SM0805 RES 47K 1% 0.1W T200	AS0473R-0805F
R708	SM0805 RES 20K 1% 0.1W T200	AS0203R-0805F
R709	SM0805 RES 7K5 1% 0.1W T200	AS0752R-0805F
R710	SM0805 RES 7K5 1% 0.1W T200	AS0752R-0805F
R711	SURFACE MNT RES4K7 MICROMELF	ASA2472
R712	SM0805 RES 120R 1% 0.1W T200	AS0121R-0805F
R713	SURFACE MNT RES4K7 MICROMELF	ASA2472
R714	SURFACE MNT RES4K7 MICROMELF	ASA2472
R715	SURFACE MNT RES4K7 MICROMELF	ASA2472
R716	SM0805 RES 39K 1% 0.1W T200	AS0393R-0805F
R717	SM0805 RES 39K 1% 0.1W T200	AS0393R-0805F
R718	SM0805 RES 7K5 1% 0.1W T200	AS0752R-0805F
R719	SM0805 RES 39K 1% 0.1W T200	AS0393R-0805F
R720	SM0805 RES 39K 1% 0.1W T200	AS0393R-0805F
R800	MMELF RES 10K 1% 0.2W 50BLF	AS2103R-0102F
R801	MMELF RES 10K 1% 0.2W 50BLF	AS2103R-0102F
R802	MMELF RES 1K2 1% 0.2W 50BLF	AS2122R-0102F
R803	MMELF RES 1K2 1% 0.2W 50BLF	AS2122R-0102F
R804	SM0805 RES 3K3 1% 0.1W T200	AS0332R-0805F
R805	SM0805 RES 3K3 1% 0.1W T200	AS0332R-0805F
R806	SM0805 RES 47K 1% 0.1W T200	AS0473R-0805F
R807	SM0805 RES 47K 1% 0.1W T200	AS0473R-0805F
R808	SM0805 RES 20K 1% 0.1W T200	AS0203R-0805F
R809	SM0805 RES 7K5 1% 0.1W T200	AS0752R-0805F

R810	SM0805 RES 7K5 1% 0.1W T200	AS0752R-0805F
R811	SURFACE MNT RES4K7 MICROMELF	ASA2472
R812	SM0805 RES 120R 1% 0.1W T200	AS0121R-0805F
R813	SURFACE MNT RES4K7 MICROMELF	ASA2472
R814	SURFACE MNT RES4K7 MICROMELF	ASA2472
R815	SURFACE MNT RES4K7 MICROMELF	ASA2472
R816	SM0805 RES 39K 1% 0.1W T200	AS0393R-0805F
R817	SM0805 RES 39K 1% 0.1W T200	AS0393R-0805F
R818	SM0805 RES 7K5 1% 0.1W T200	AS0752R-0805F
R819	SM0805 RES 39K 1% 0.1W T200	AS0393R-0805F
R820	SM0805 RES 39K 1% 0.1W T200	AS0393R-0805F
R1001	SM0805 RES 10K 1% 0.1W T200	AS0103R-0805F
R1002	SM0805 RES 100R 1% 0.1W T200	AS0101R-0805F
R1003	SM0805 RES 150K 1% 0.1W T200	AS0154R-0805F
R1004	SM0805 RES 470R 1% 0.1W T200	AS0471R-0805F
R1005	SM0805 RES 470R 1% 0.1W T200	AS0471R-0805F
R1006	SM0805 RES 10K 1% 0.1W T200	AS0103R-0805F
R1007	SM0805 RES 470R 1% 0.1W T200	AS0471R-0805F
R1008	SM0805 RES 470K 1% 0.1W T200	AS0474R-0805F
R1009	SM0805 RES 33K 1% 0.1W T200	AS0333R-0805F
R1010	SM0805 RES 4K3 1% 0.1W T200	AS0432R-0805F
R1011	SM0805 RES 10K 1% 0.1W T200	AS0103R-0805F
R1012	SM0805 RES 10K 1% 0.1W T200	AS0103R-0805F
R1014	SM0805 RES 10K 1% 0.1W T200	AS0103R-0805F
R1015	SM0805 RES 4M7 1% 0.1W T200	AS0475R-0805F
R1016	SM0805 RES 3K3 1% 0.1W T200	AS0332R-0805F
R1017	SM0805 RES 75R 1% 0.1W T200	AS0750R-0805F
R1018	SM0805 RES 1M 1% 0.1W T200	AS0105R-0805F
TR1	TRANS BC856B-SOT23 PNP XES0-	BD10027
TR2	NPN TRANS BC846B	BS0506R-SOT23

MISCELLANEOUS HARDWARE

Description	Part Number	Used in: (part number)
BLK FIBRE 5.54X3.05X.8X.1 WSHR	NC0301	RW5671, RW5672
CORD-ELASTICATED 3MM DIA. BLK	NZ10017	RW5671, RW5672
CUP WASHER M6	NC10025	RW5671, RW5672
M10 NYLOCK NUT BZP CA-FI	NB10008	RW5671, RW5672
M10X65 BOLT COACH BZP CA-FI	NA10028	RW5671, RW5672
M3 NYLON INSERT NUT ZINC	NB0113	RW5671, RW5672
M3 PLAIN NUT ZINC	NB0122	R-S2010A-03-AF, R-S2010B-03-AF, R-S2010CA-04-AF, R-S2010CB-04-AF, R-S2010CC-04-AF, R-S2010CD-04-AF
M3 S/PROOF WASHER ZINC	NC0221	RW5671, RW5672
M3 SPLIT WASHER	NCA0000	R-S2010A-03-AF, R-S2010B-03-AF
M3.5X30 PAN HD SCREW POZIZINC/	NA10068	RW5671, RW5672
M3X10MM PAN POZI ZINC ISO	NA0157	R-S2010CA-04-AF, R-S2010CB-04-AF, R-S2010CC-04-AF, R-S2010CD-04-AF
M3X12MM PAN POZI ZINC SCR	NA0323	R-S2010A-03-AF, R-S2010B-03-AF
M3X30 SPACER HEX BRASS NKL PLT	ND0464	RW5671, RW5672
M3X6 HEX HD SKT SCREW Z/P	NA10070	RW5671, RW5672
M3X6 PAN POZI SELF COLOUR ISO	NA0155	RW5671, RW5672
M3X6MM GRUB SKT HD CONE PNT	NA0313	RW5671, RW5672
M4X8 CSK HEX HD SKT SCREWZ/PAS	NA10069	RW5671, RW5672
M4X8MM PAN POZI SCR ZINC	NA0225	RW5671, RW5672
M4X8MM PAN POZI TAPTITE ZINC	NA0295	RW5671, RW5672
NO.4X3/8" PAN POZI S/T BLK SCR	NA0249	RW5671, RW5672
NO.6X1/4" PAN POZI S/T TYPE B	NA0137	RW5671, RW5672
NO.8X3/8" PLASTITE BLK	NA0392	RW5671, RW5672
RIVET 4MM DOMED (MONEL 4.5)	NF0509	RW5671, RW5672
SPACER NYLON 3.2IDX4.8ODX3.2LG	ND10042	R-S2010A-03-AF, R-S2010B-03-AF
SPACER-NYLON 6IDX7ODX3MM LG.	ND10044	RW5671, RW5672
VIB RES CRIMP TAG V3 TIN PLT	NE0415	L-S2010C-01

