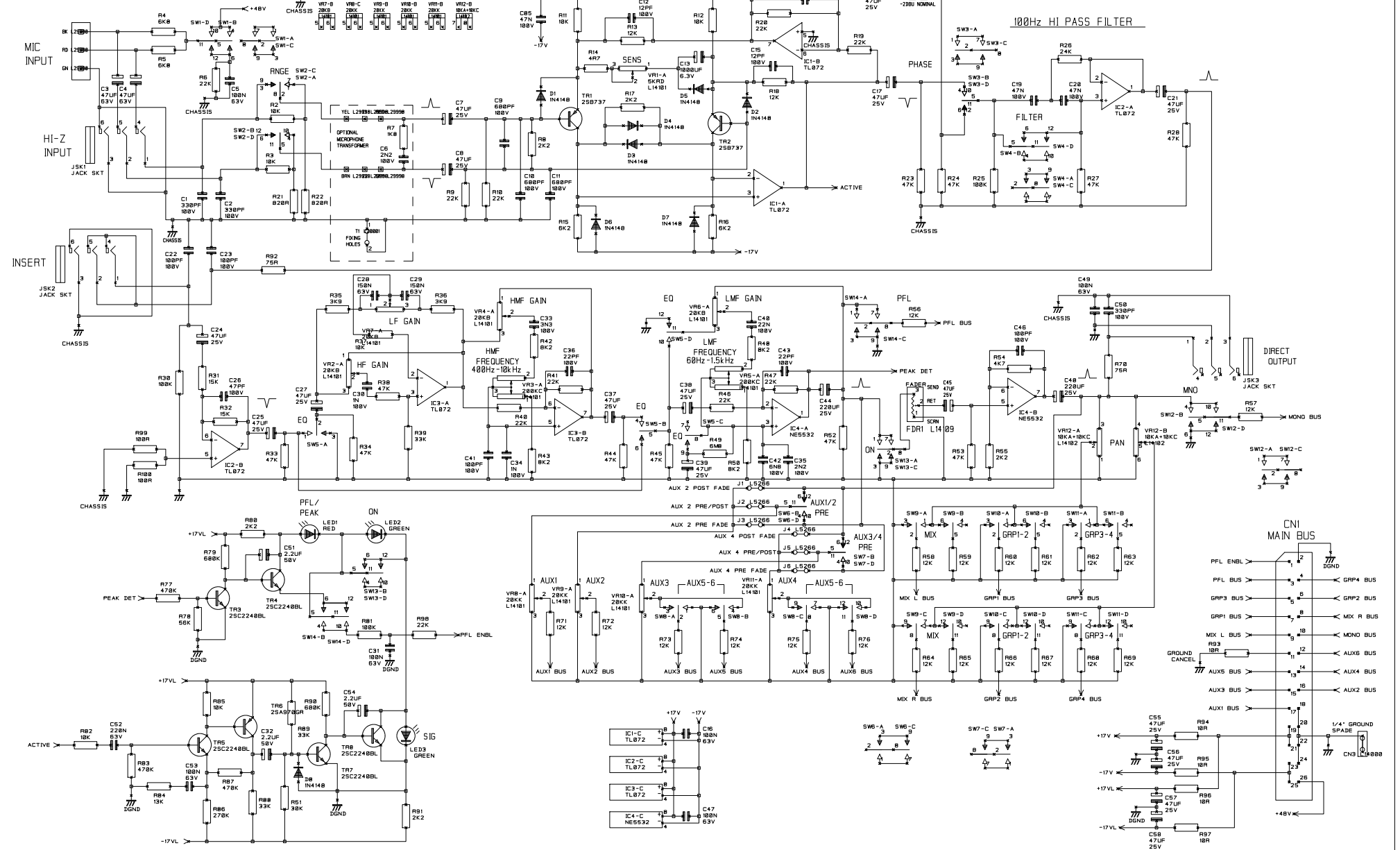


DRG NO. ED 3486

INITIAL	ISSUE	DATE
MDG	6	6-7-95

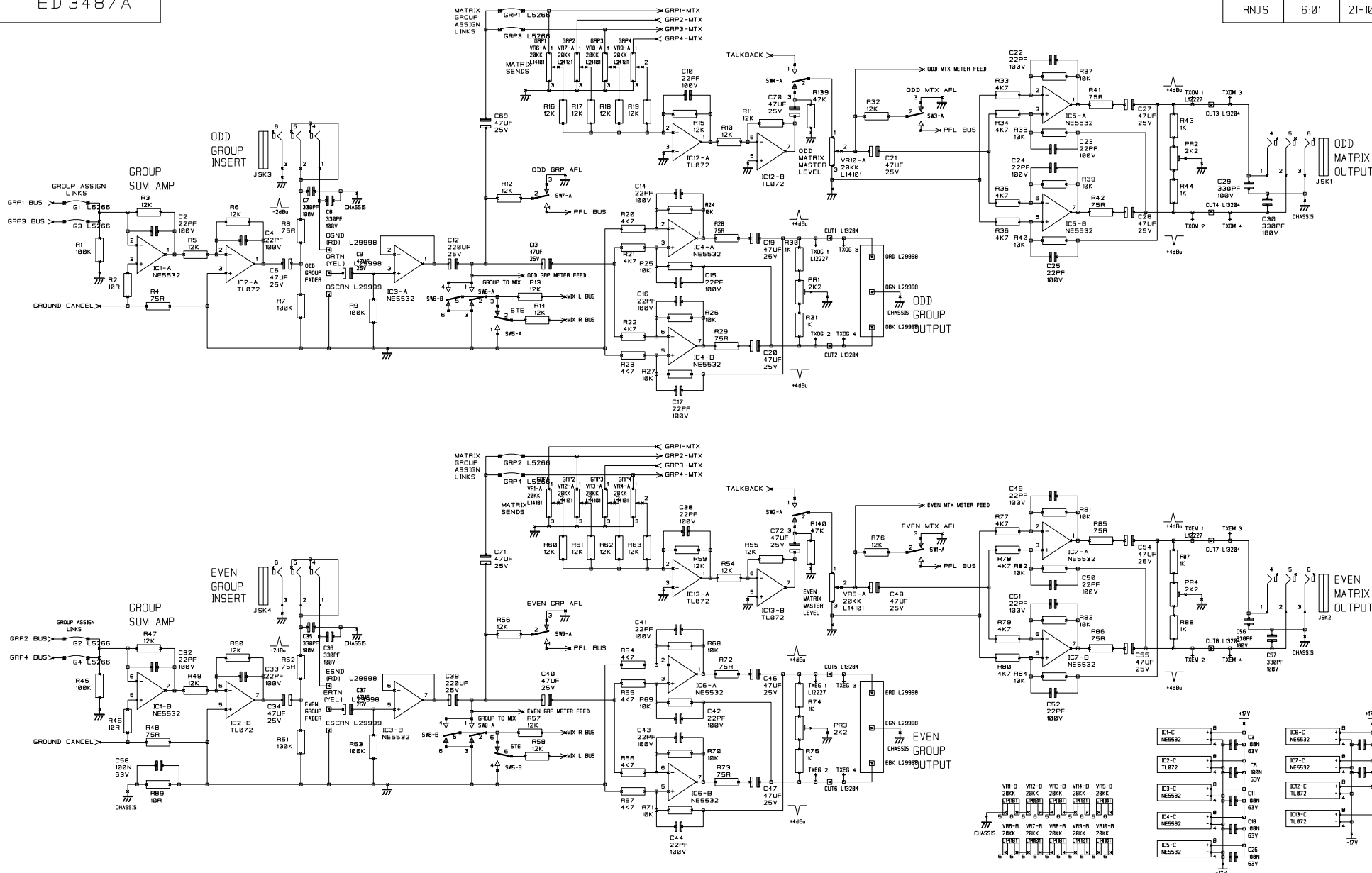


- NOTES
- (1) J2 & J5 AUX PRE/POST LINKS FITTED AS STANDARD.
 - (2) AUX PRE/POST FOLLOWS SWITCH.
 - (3) R29 CN2 C1 C2 C22 C23 C49 AND C50 ARE NOT FITTED AS STANDARD.
 - (4) FIT R7.C6 ONLY WHEN TRANSFORMER IS FITTED

DRN. ASR

TITLE
K1
MONO INPUT
DRG NO. ED 3486

INITIAL	ISSUE	DATE
RNJS	6.01	21-10-99



NOTES

- 1) SW2 & SW4 ARE MOMENTARY, ALL OTHERS ARE LATCHING.
- 2) CUT LINKS TO ASSIGN GROUP.
- 3) DO NOT FIT COMPONENTS C7,C8,C29,C30,C35,C36,C56 & C57.

DRN.

ASR

LOCAL DE-COUPLE

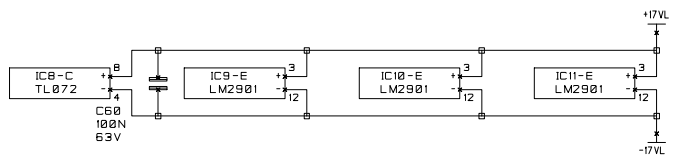
TITLE

KI GROUP OUTPUT

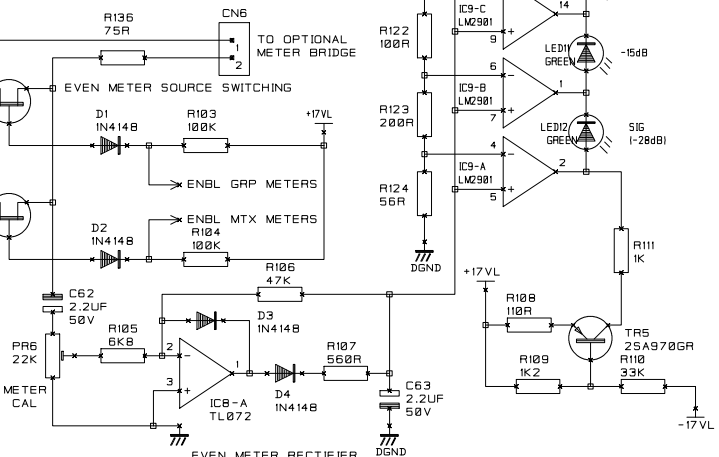
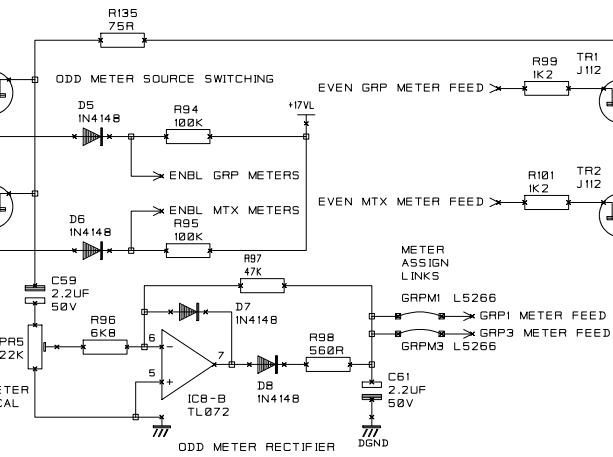
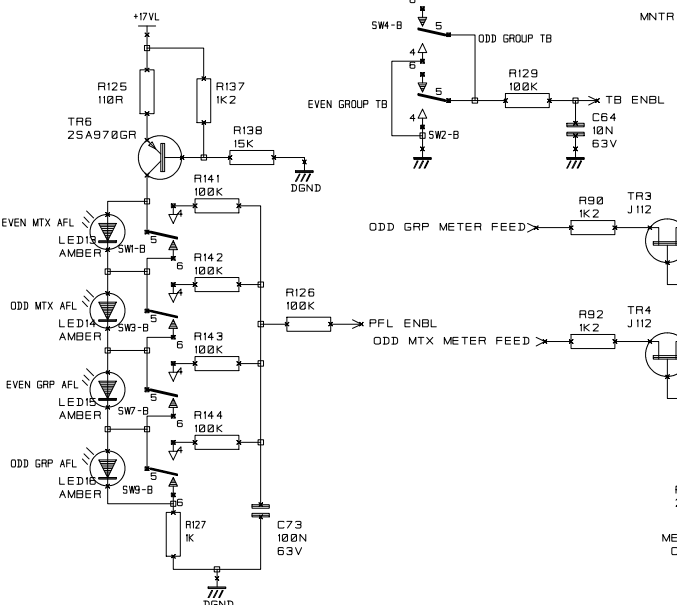
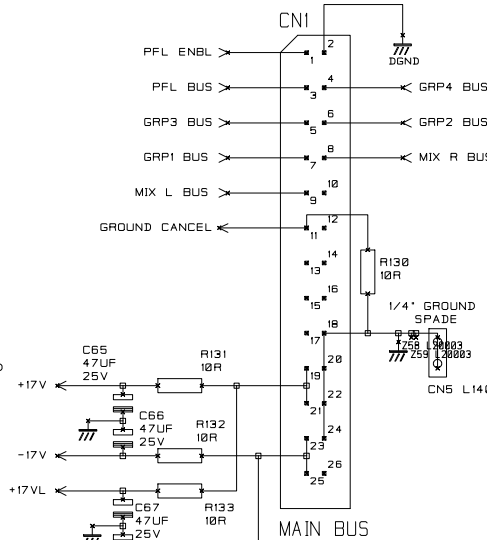
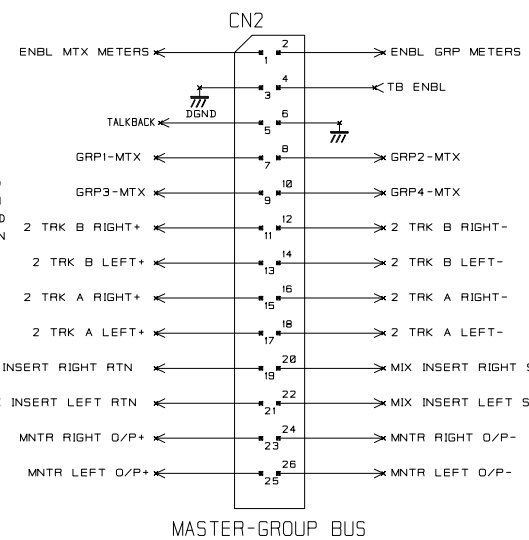
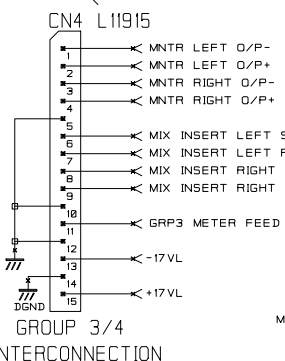
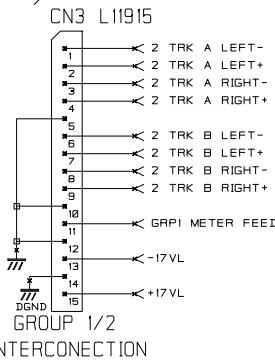
DRG NO.

ED 3487A

INITIAL	ISSUE	DATE
RJNS	6:81	21-10-99



FIT ONLY ONE OF THESE GROUP INTERCONNECTIONS PER GROUP AS DESIGNATED BY POSITION IN MASTER



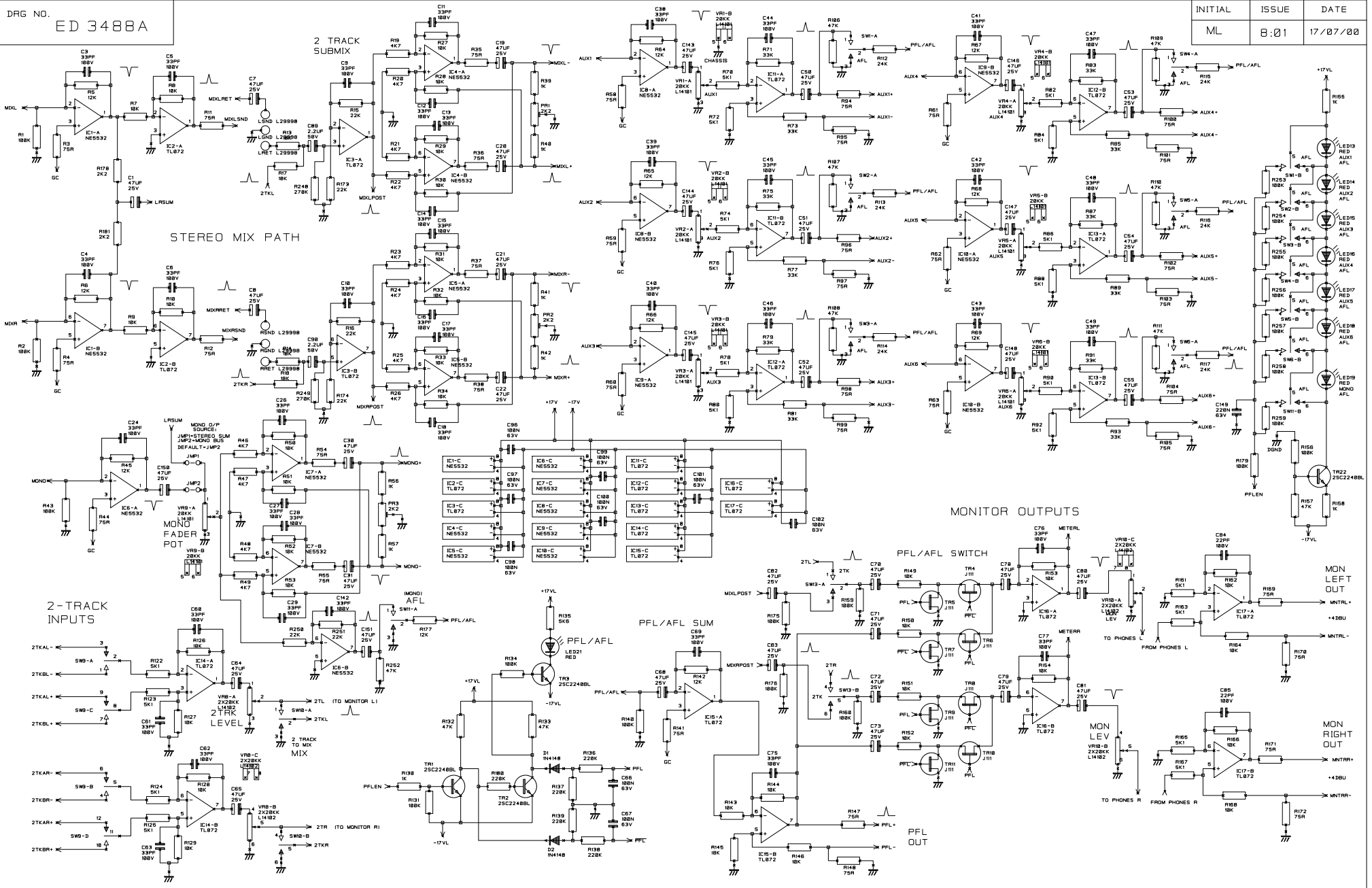
NOTES

NOTES
1) DO NOT FIT COMPONENTS R135, R136 AND CN6.

DRN. ASR TITLE
K1 GROUP OUTPUT
DRG NO. ED3487B

DRG NO. ED 3488A

INITIAL	ISSUE	DATE
ML	B:01	17/07/00

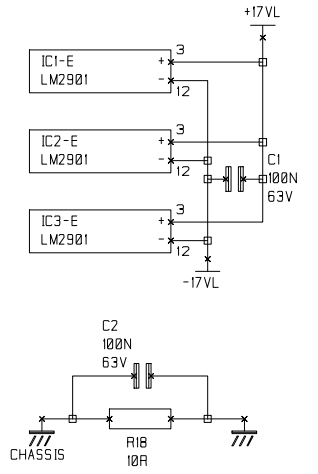
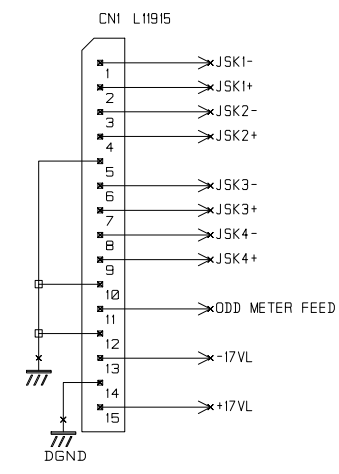
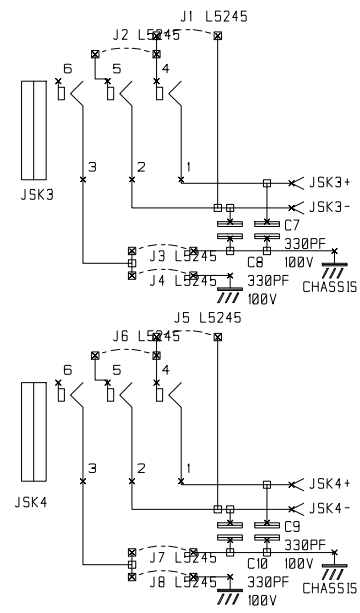
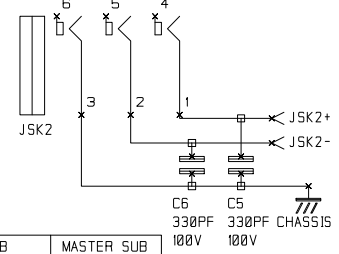
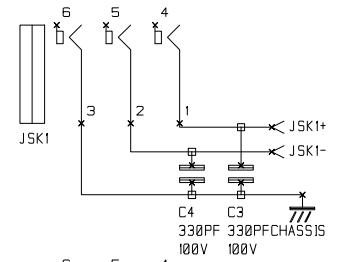
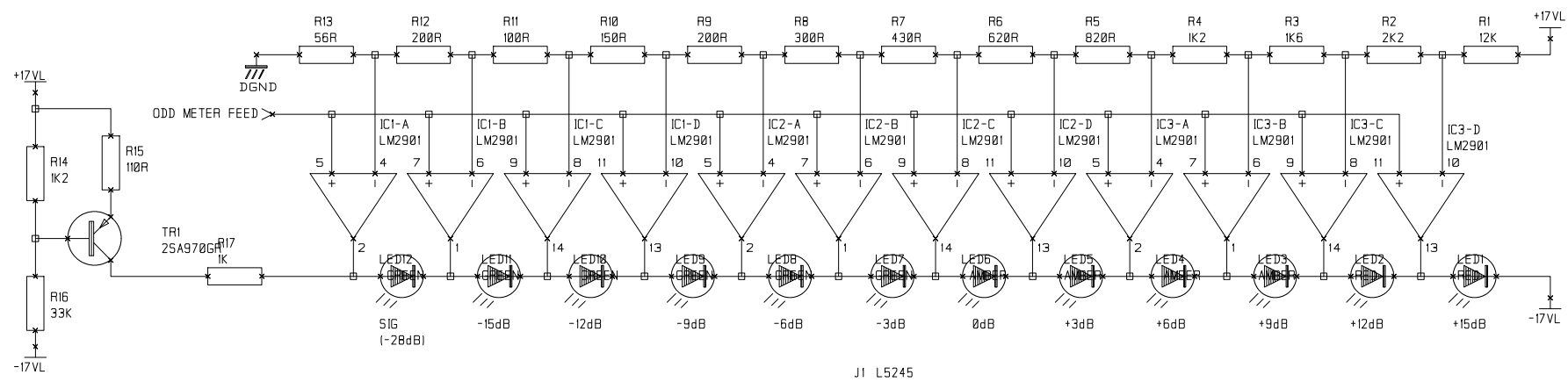


NOTES

DRN. MDG

TITLE
K1 MASTER

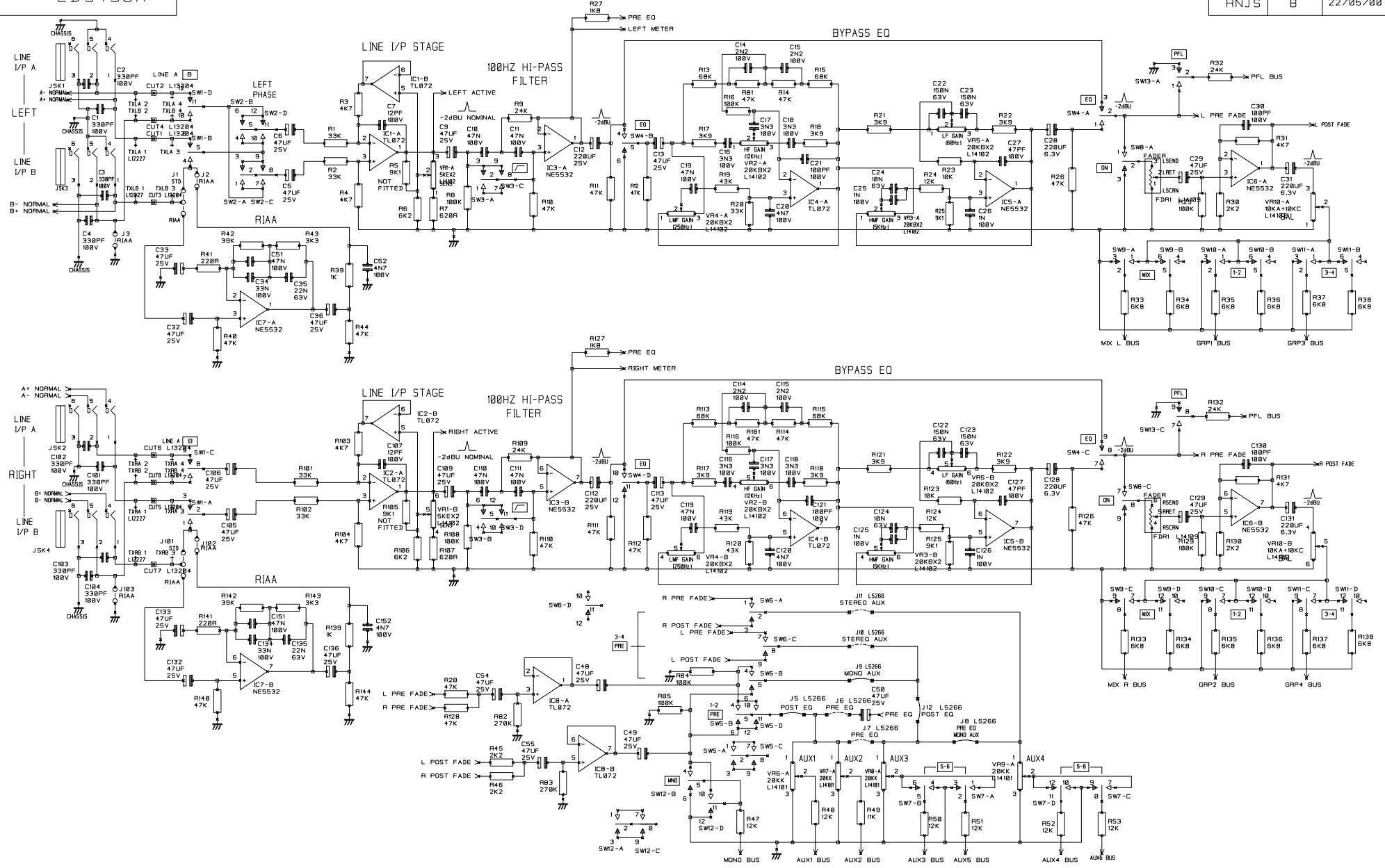
DRG NO. ED 3488A



GROUP 1/2 SUB PCB SIGNALS	GROUP 3/4 SUB PCB SIGNALS	MASTER SUB PCB SIGNALS
JSK1-	2 TRK A LEFT-	MNTR LEFT O/P-
JSK1+	2 TRK A LEFT+	MNTR LEFT O/P+
JSK2-	2 TRK A RIGHT-	MNTR RIGHT O/P-
JSK2+	2 TRK A RIGHT+	MNTR RIGHT O/P+
JSK3-	2 TRK B LEFT-	MIX INSERT LEFT SND
JSK3+	2 TRK B LEFT+	MIX INSERT LEFT RTN
JSK4-	2 TRK B RIGHT-	MIX INSERT RIGHT SND
JSK4+	2 TRK B RIGHT+	MIX INSERT RIGHT RTN

NOTES
 FIT LINKS J3 AND J7 WHEN FITTING PCB AS MASTER AND GROUP 1/2.
 ELSE FIT LINKS J2,J4,J6 AND J8 WHEN FITTING PCB AS GROUP 3/4.
 DO NOT FIT COMPONENTS C3,C4,C5,C6,C7,C8,C9 & C10

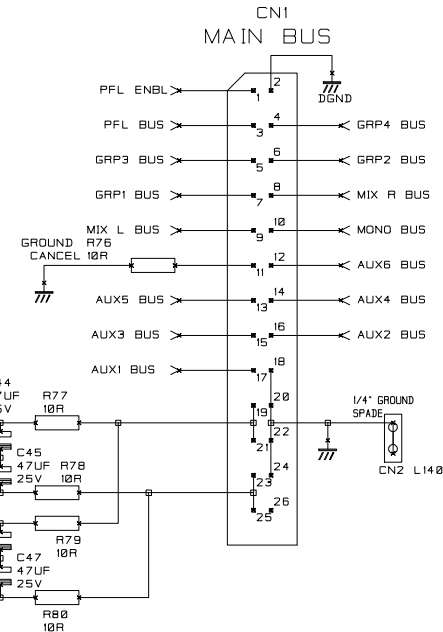
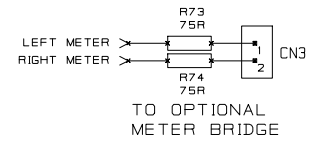
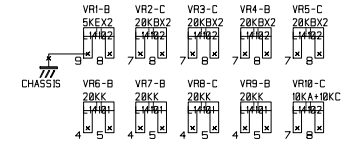
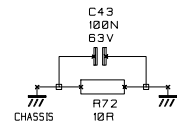
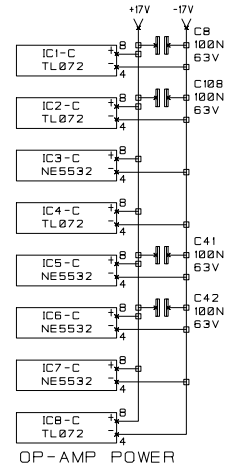
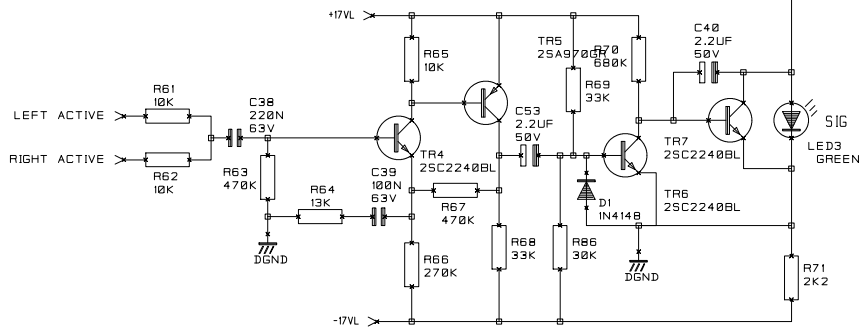
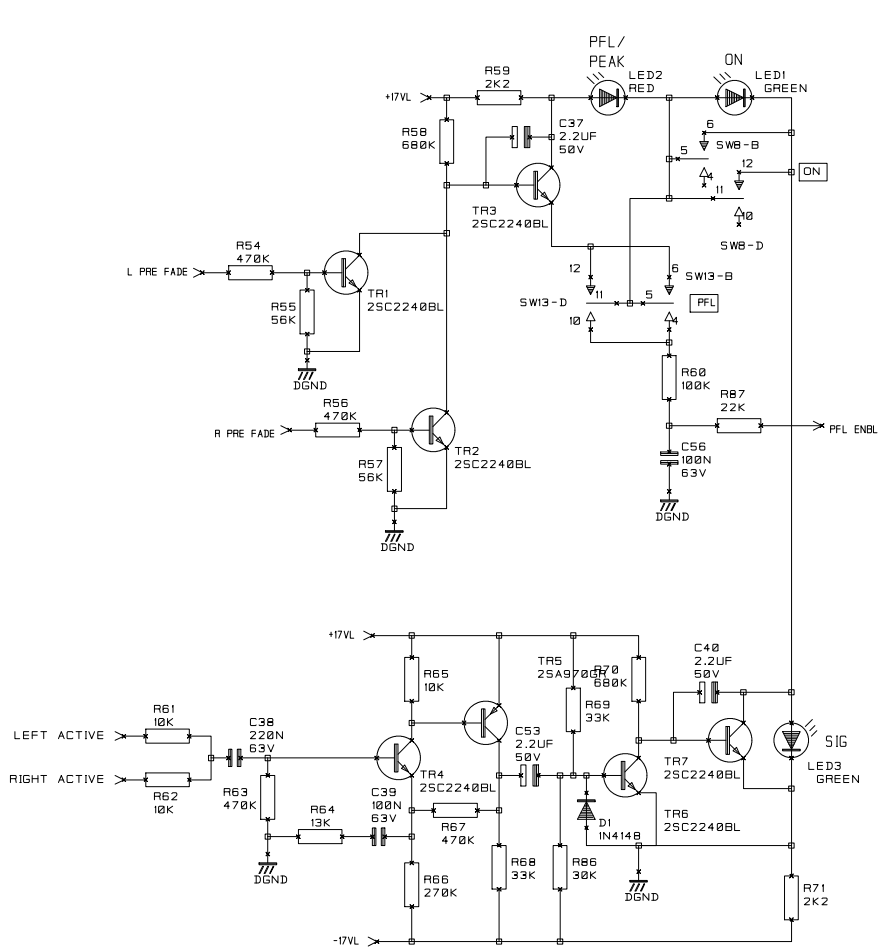
DRN. ASR TITLE
 K1 MASTER/GROUP REAR CONN
 DRG NO. ED 3489 SHT. 1 OF 1



NOTES
 (1) J11STD, J101STD, J5, J8, J9 & J12 LINKS FITTED AS STANDARD.
 (2) DO NOT FIT COMPONENTS C1, C2, C3, C4, C21, C101, C102, C103, C104 & C121.

DRN. ASR

TITLE
 K1 STEREO INPUT
 DRG NO. ED3490A



NOTES

NOTES

(1) DO NOT FIT COMPONENTS R73, R74 & CN3.

DRN. ASR

TITLE

K1 STEREO INPUT

DRG NO. ED 3490B

SHT.2 OF 2