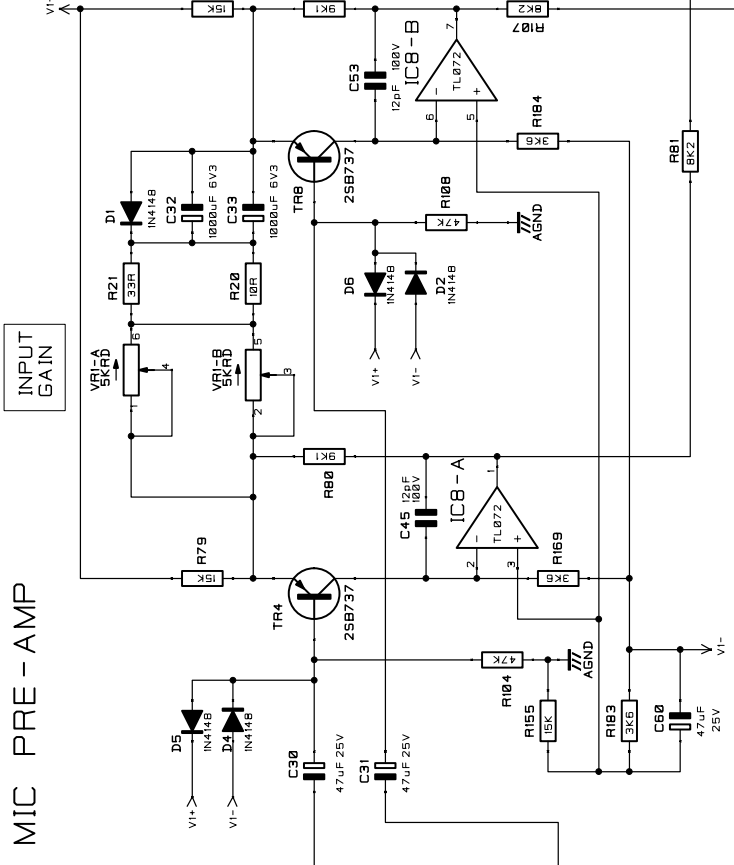
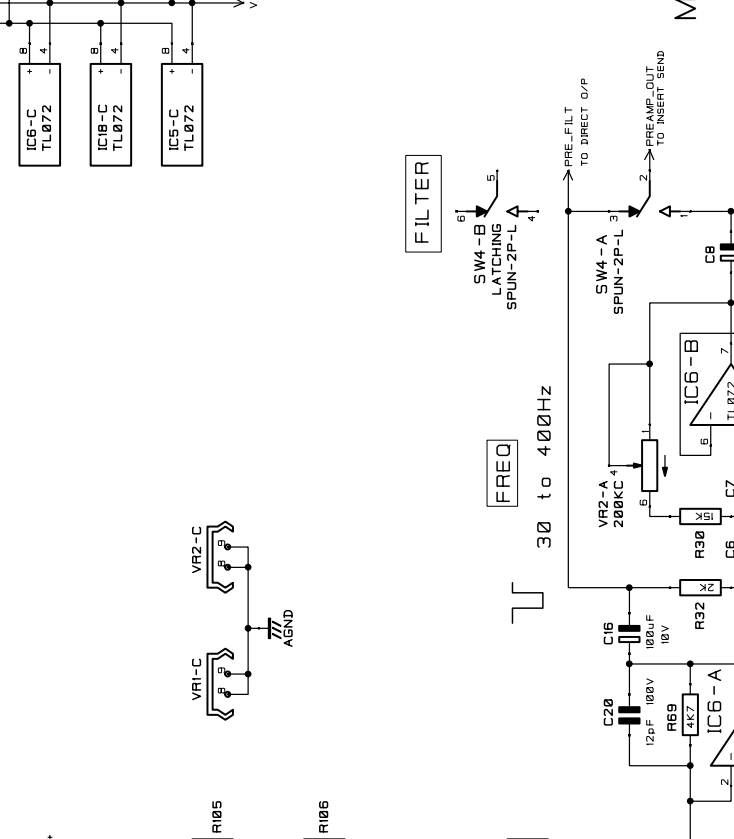


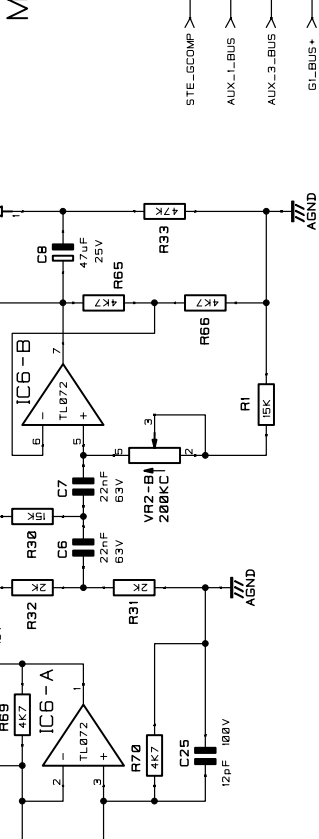
MIC PRE-AMP



MOTHERLOOM



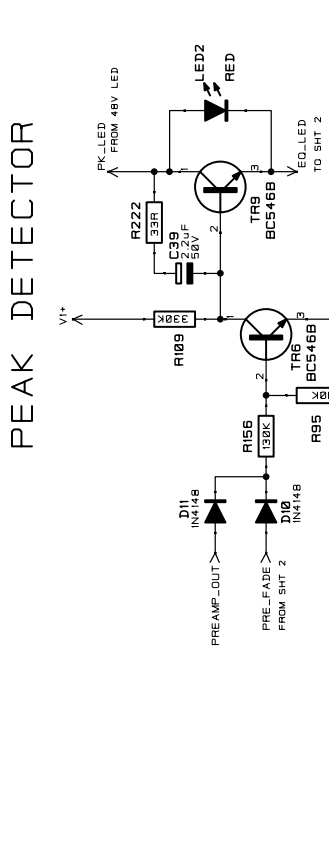
MOTHERLOOM



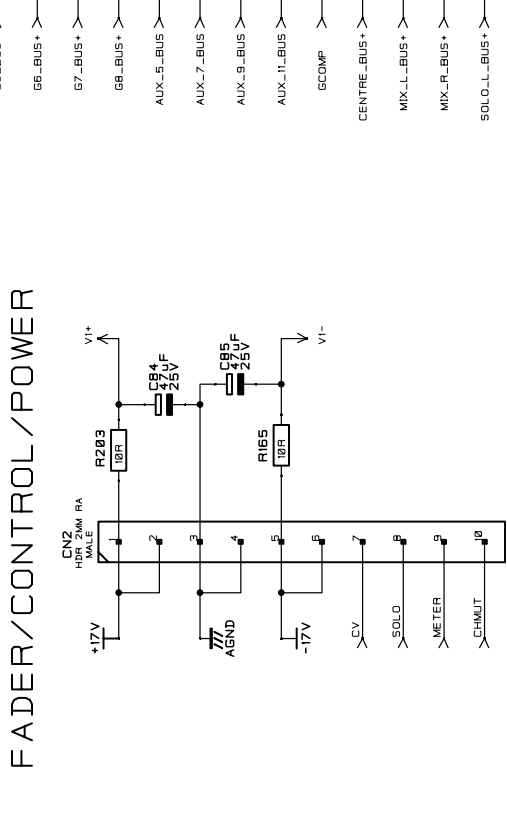
I/O BUFFERS



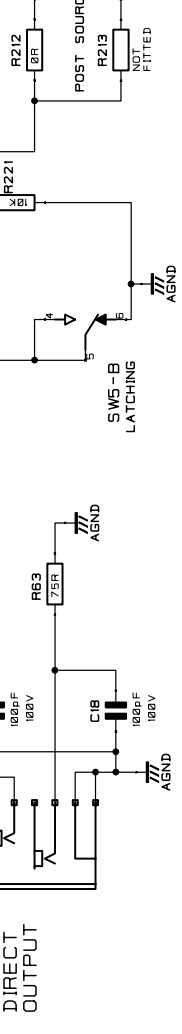
PEAK DETECTOR



FADER/CONTROL/POWER



DIRECT OUTPUT



SOUNDCRAFT OWN THE COPYRIGHT OF THIS DRAWING WHICH IS NOT TO BE COPIED, REPRODUCED OR DISCLOSED, IN PART OR WHOLE TO A THIRD PARTY WITHOUT PRIOR WRITTEN PERMISSION.

SOUNDCRAFT
HARMAN INT. INDUSTRIES LTD.
CRANBORNE HOUSE,
CRANBORNE ROAD,
POTTERS BAR,
HERTS. EN6 3JN.
TEL: 01707 665000
FAX: 01707 660482

NOTES

Ø38 TO Ø4A:-

ADD SEPARATE GND COMP BUS AND RESISTOR (R151) FOR STEREO AUXES

D7 CHANGE TO 2V7 ZENER

DRN.

CLIFF B

DATE 12/12/02

MASTER IF RED

CN No.

CLIFF B

DATE 10/07/02

ISSUE 02A

TITLE

MH3

MONO INPUT

PRE-AMP / HP FILTER / PEAK INSERT / DIRECT OUT /

DRG NO.

ED4190-06A

SHT: 1

OF 3