

DRG NO.

ED4105

INITIAL	ISSUE	DATE
MSW	1:01	20-12-00

SHEET 2
SM/PSU

SHEET 3
SP/DIF O/P

SOUNDCRAFT OWNS THE COPYRIGHT OF THIS DRAWING WHICH IS NOT TO BE COPIED, IN PART OR IN WHOLE TO A THIRD PARTY WITHOUT WRITTEN PERMISSION.

NOTES

DRN. MSW

DATE 20-12-00

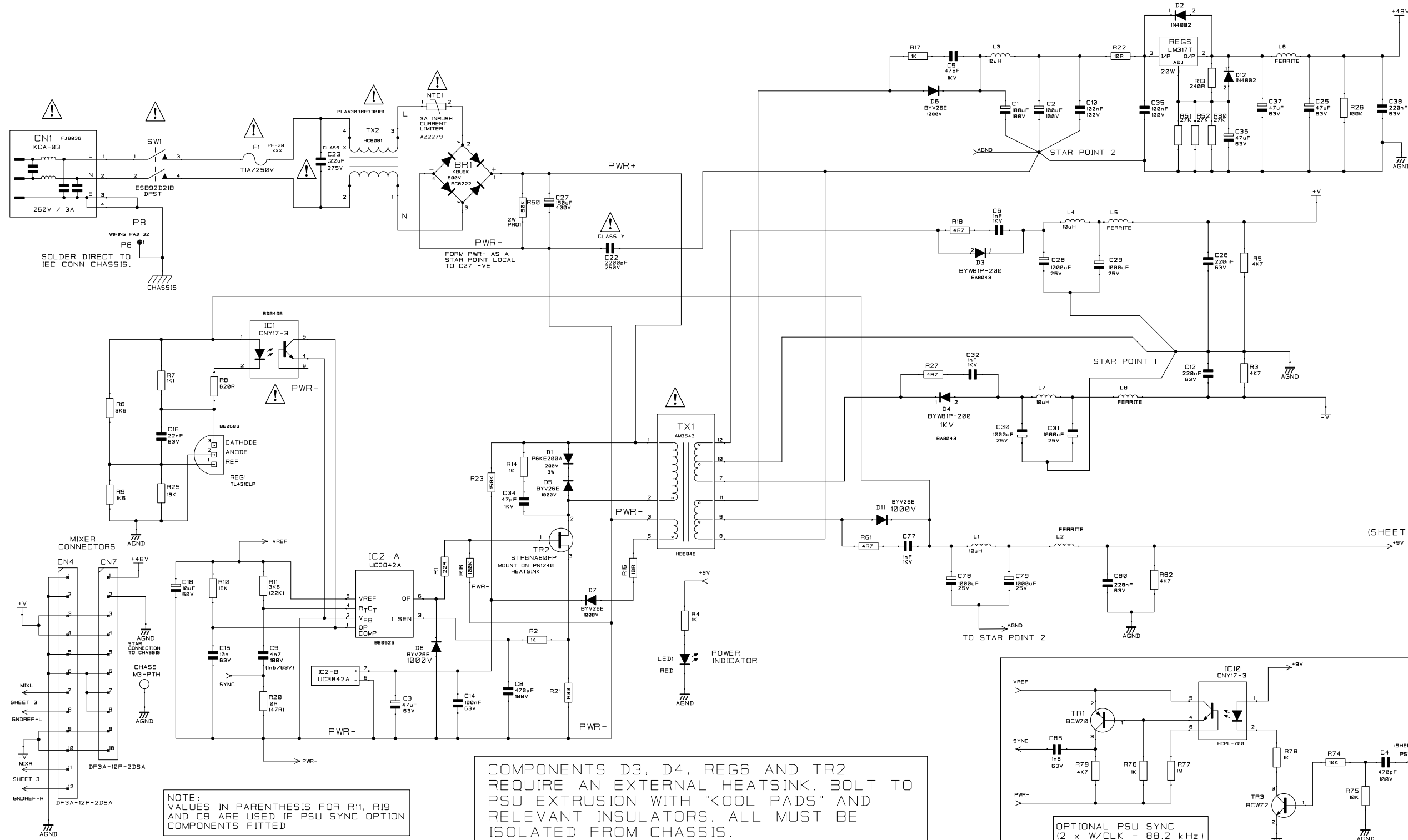
SOUNDCRAFT
HARMAN INT. INDUSTRIES LTD.
CRANBORNE HOUSE,
CRANBORNE ROAD,
POTTERS BAR,
HERTS. EN6 3JN.
TEL: 01707 665000
FAX: 01707 660482

TITLE

SPIRIT M SERIES SM/PSU
TOP LEVEL

DRG NO. ED4105

SHT. 1 OF 3



NOTE:
VALUES IN PARENTHESIS FOR R11, R19
AND C9 ARE USED IF PSU SYNC OPTION
COMPONENTS FITTED

COMPONENTS D3, D4, REG6 AND TR2
REQUIRE AN EXTERNAL HEATSINK. BOLT TO
PSU EXTRUSION WITH "KOOL PADS" AND
RELEVANT INSULATORS. ALL MUST BE
ISOLATED FROM CHASSIS.

OPTIONAL PSU SYNC
(2 x W/CLK - 88.2 kHz)

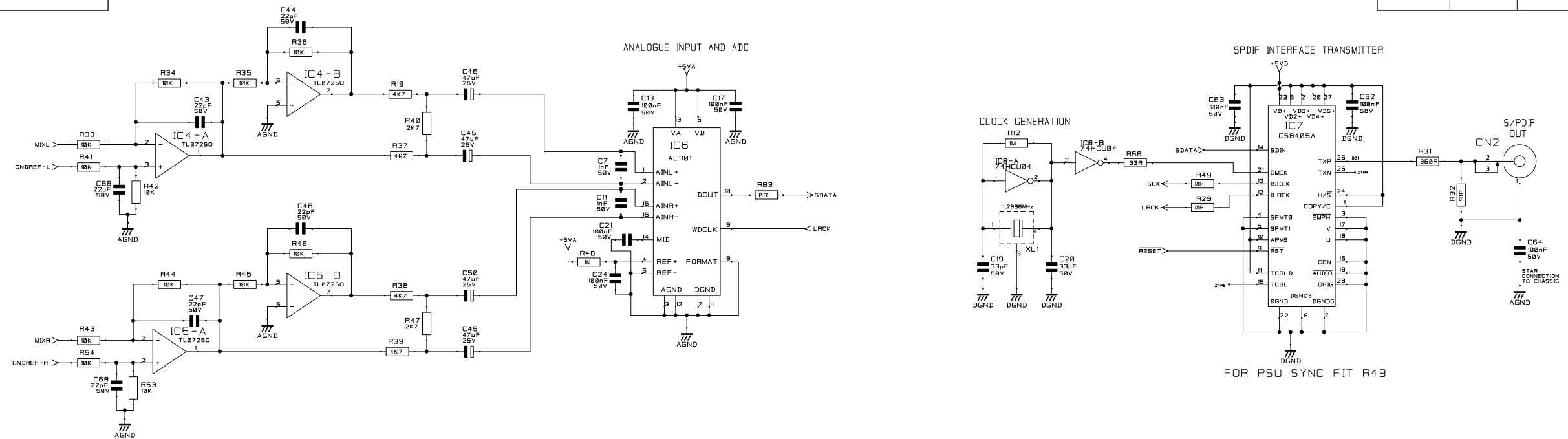
SOUNDCRAFT OWNS THE COPYRIGHT OF
THIS DRAWING WHICH IS NOT TO BE
COPIED, IN PART OR IN WHOLE TO A
THIRD PARTY WITHOUT WRITTEN PERMISSION.

NOTES
THIS VERSION WITHOUT POST-REGULATION
ON +16V AND -16V OUTPUTS.

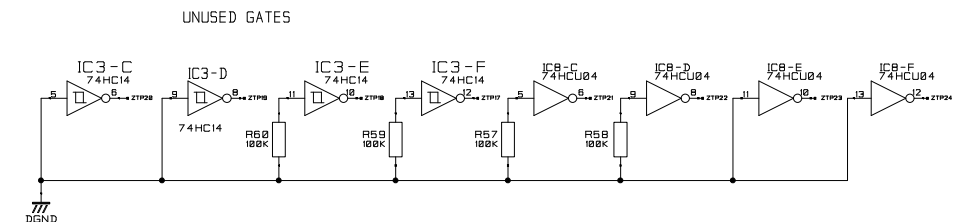
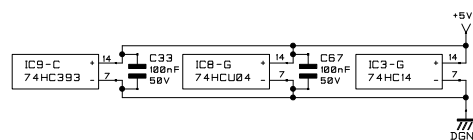
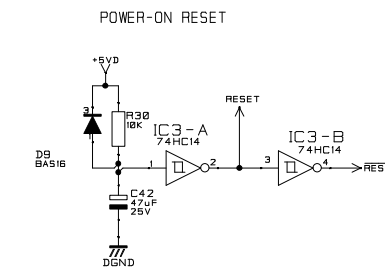
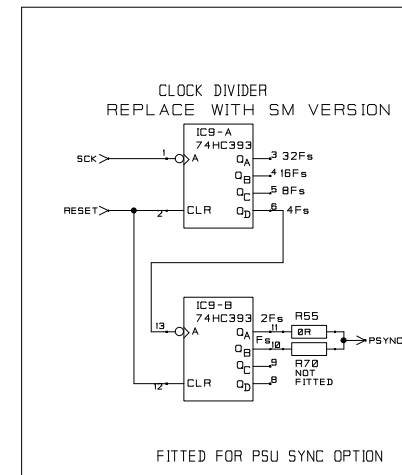
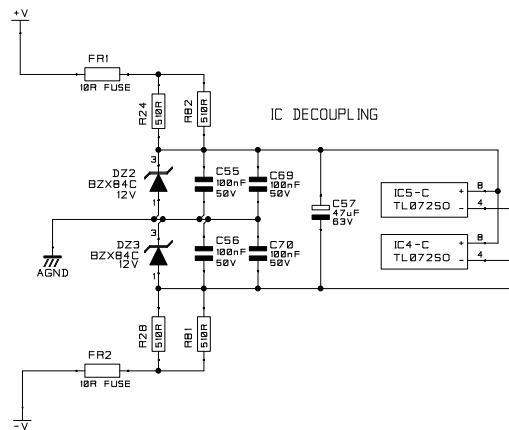
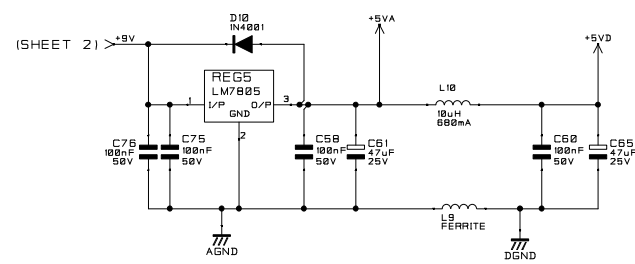
DRN. MSW
DATE 20-12-00

SOUNDCRAFT
HARMAN INT. INDUSTRIES LTD.
CRANBORNE HOUSE,
CRANBORNE ROAD,
POTTERS BAR,
HERTS. EN6 3JN.
TEL: 01707 665000
FAX: 01707 660482

TITLE
SPIRIT M SERIES SM/PSU
DRG NO. ED4105



Crystal needs to be changed for the correct 3 pin HC-49 package (11.2896MHz)



SOUNDCRAFT OWNS THE COPYRIGHT OF THIS DRAWING WHICH IS NOT TO BE COPIED, IN PART OR IN WHOLE TO A THIRD PARTY WITHOUT WRITTEN PERMISSION.

NOTES

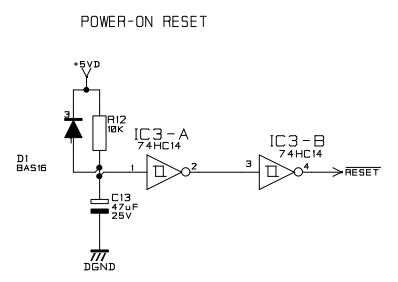
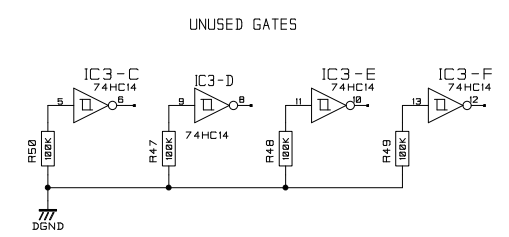
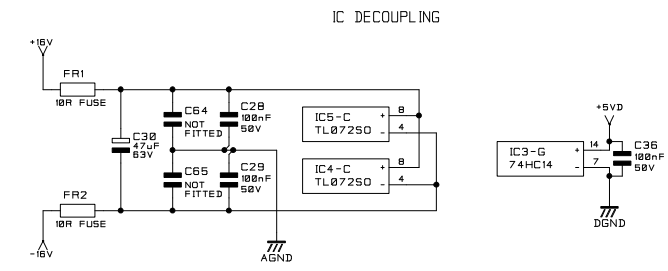
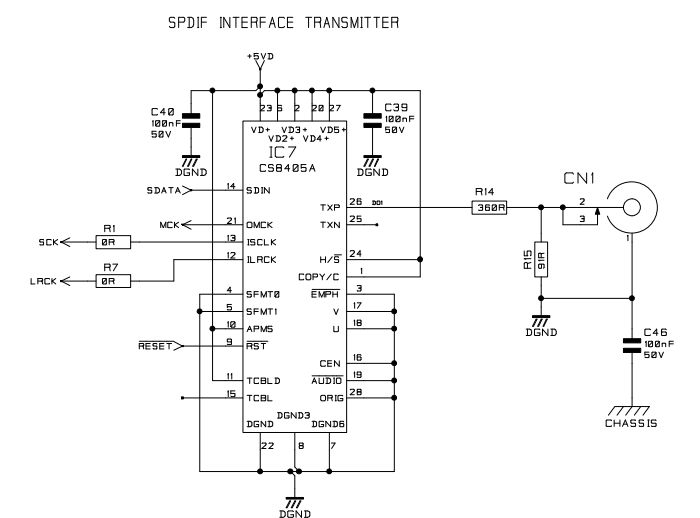
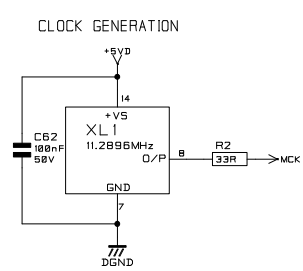
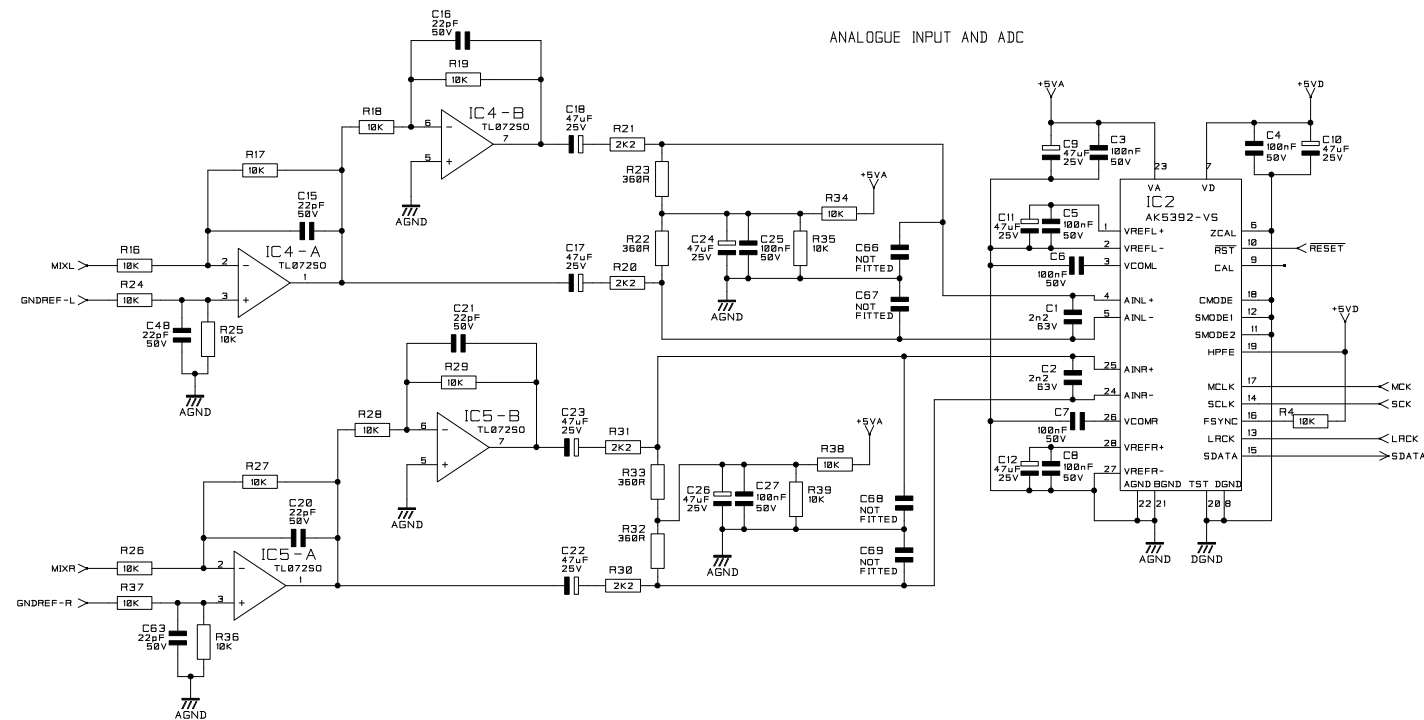
DRN. MSW
DATE 20-12-00

SOUNDCRAFT
HARMAN INT. INDUSTRIES LTD.
CRANBORNE HOUSE,
CRANBORNE ROAD,
POTTERS BAR,
HERTS. EN6 3JN.
TEL: 01707 665000
FAX: 01707 660482

TITLE
SPIRIT M SERIES
SM/PSU SP/DIF O/P

DRG NO. ED4105

INITIAL	ISSUE	DATE
R.S.	2:02	08-12-2000



SOUNDCRAFT OWNS THE COPYRIGHT OF THIS DRAWING WHICH IS NOT TO BE COPIED, IN PART OR IN WHOLE TO A THIRD PARTY WITHOUT WRITTEN PERMISSION.

NOTES

DRN.	RAS
DATE	25-09-2000

SOUNDCRAFT
HARMAN INT. INDUSTRIES LTD.
CRANBORNE HOUSE,
CRANBORNE ROAD,
POTTERS BAR,
HERTS. EN6 3JN.
TEL: 01707 665000
FAX: 01707 660482

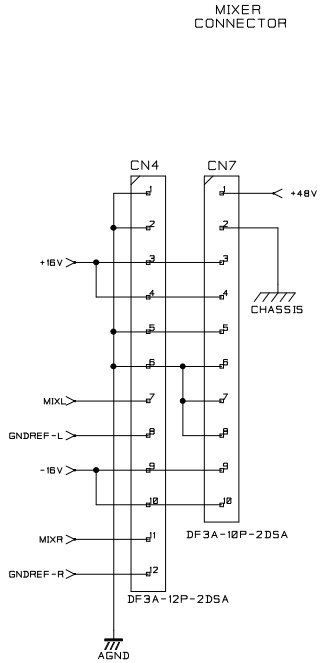
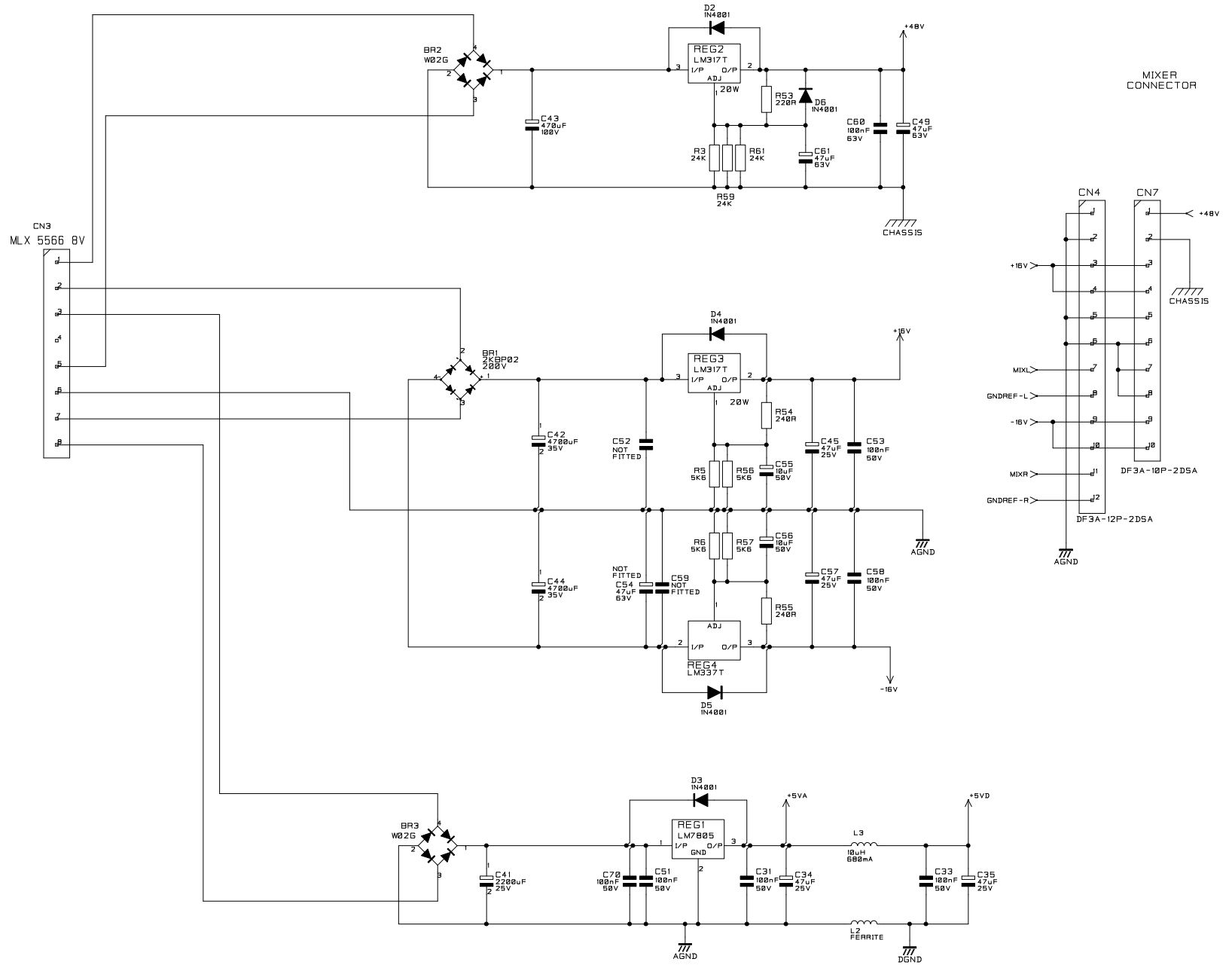
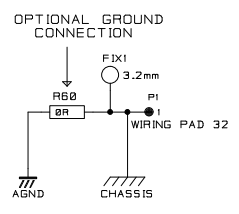
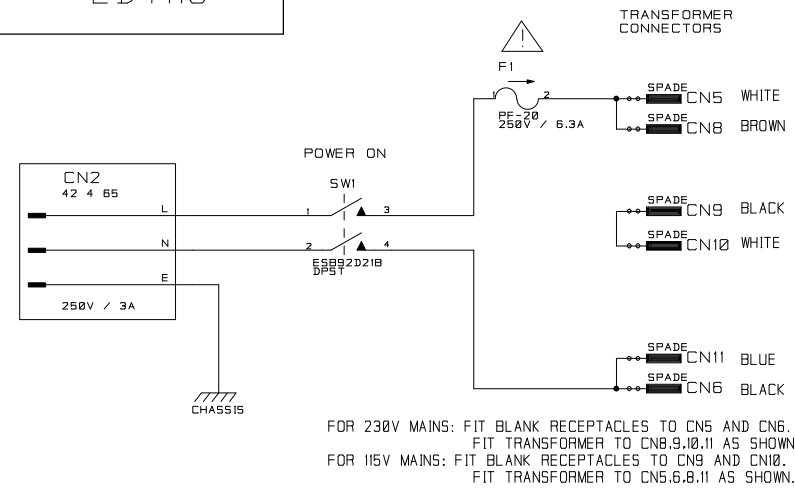
TITLE
SPIRIT PRO M8/M12
PSU SPDIF PCB.

DRG NO.
ED4110

DRG NO.

ED4110

INITIAL	ISSUE	DATE
R.S.	2:02	08-12-2000



SOUNDCRAFT OWNS THE COPYRIGHT OF THIS DRAWING WHICH IS NOT TO BE COPIED, IN PART OR IN WHOLE TO A THIRD PARTY WITHOUT WRITTEN PERMISSION.

NOTES

DRN. RAS
DATE 25-09-2000

SOUNDCRAFT
HARMAN INT. INDUSTRIES LTD.
CRANBORNE HOUSE,
CRANBORNE ROAD,
POTTERS BAR,
HERTS. EN6 3JN.
TEL: 01707 665000
FAX: 01707 660482

TITLE
SPIRIT PRO M8/M12
PSU SPDIF PCB.

DRG NO. ED4110

