

ISSUE P1
7 - 6 - 85

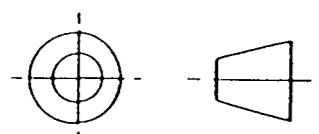
Issue 1
3 - 7 - 85

ISSUE 2
CON 1 PINS
TRANPOSED
COMPONPENT
PRE-FIXES
ADDED
470R VALUES
WERE 150
MH 2 / 2 / 89

NB
CHANNEL 1 OF 8 SHOWN

CONNECTOR VEIWD FROM
SOLDER SIDE OF REAR CONN
PCB

THIRD ANGLE PROJECTION



TOLERANCE
All imperial dimensions ± 0.010
All metric dimensions $\pm 0.25\text{mm}$
All angles $\pm 0.50^\circ$
Unless otherwise stated

HOLE INDEX

MATL
FINISH
SCALE

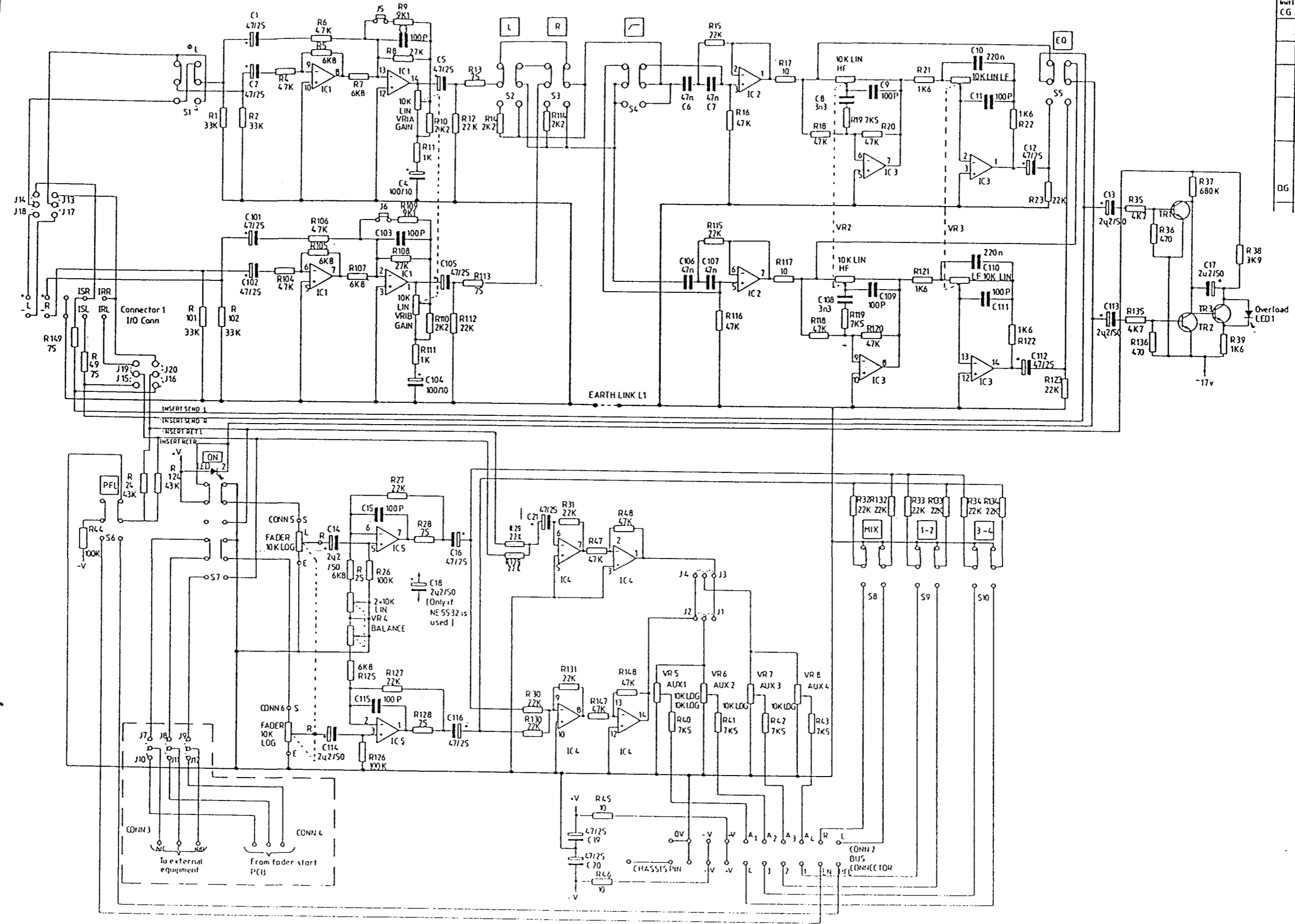
DRN
CHRIS
TRCD
CHKD

SOUNDCRAFT ELECTRONICS LTD
5-8 GREAT SUTTON STREET
LONDON EC1V 0BX.
TELEPHONE. 01-251-3631/2/3
TELEGRAMS. SOUNDCRAFT LON EC1
TELEX. UK. No. 21198. USA. No. 224408

TITLE
S 200B
INPUT RCP
CCT DIA

ORG. No. ED 2301

Issue 1	7 - 1 - 86
Issue 2	26 - 6 - 86
Issue 3	7 - 8 - 86
ISSUE 4	IDENT CHANGE
5 - 1 - 87	
ISSUE 5	R24 & R124 WAS
28 / 9 / 87	22K
ISSUE 6	R3, R103 REMOVED
	R4, R6, R104 AND
	R108 WERE 68K
	NOW 47K
	13 - 10 - 88



Soundcraft Electronics Limited own the copyright of this drawing which is not to be copied, reproduced or disclosed, in part or whole, to a third party without written permission.

- NOTES**
- 1 Connectors viewed from component side of PCB
 - 2 If using stereo HP conn pin, use J17, J18, J19, J20
 - 3 If using std HP conn pin use, J13, J14, J15, J16 and omit R49, R109

HOLE INDEX

<input type="checkbox"/>	ALL TRANSISTORS - R25C2240
<input type="checkbox"/>	IC 1, 3, 4 = TL074
<input type="checkbox"/>	IC 2 = TL072
<input type="checkbox"/>	IC 5 = NE5532
<input type="checkbox"/>	LED 2 = TLG102
<input type="checkbox"/>	LED 1 = TLH102

TOLERANCES

SIZE	TOLERANCE
0 - 3mm	+0.05
3 - 6mm	+0.10
6 - 10mm	+0.15
10 - 15mm	+0.20
15 - 20mm	+0.25
20 - 25mm	+0.30
25 - 30mm	+0.35
30 - 35mm	+0.40
35 - 40mm	+0.45
40 - 45mm	+0.50
45 - 50mm	+0.55
50 - 55mm	+0.60
55 - 60mm	+0.65
60 - 65mm	+0.70
65 - 70mm	+0.75
70 - 75mm	+0.80
75 - 80mm	+0.85
80 - 85mm	+0.90
85 - 90mm	+0.95
90 - 95mm	+1.00
95 - 100mm	+1.05

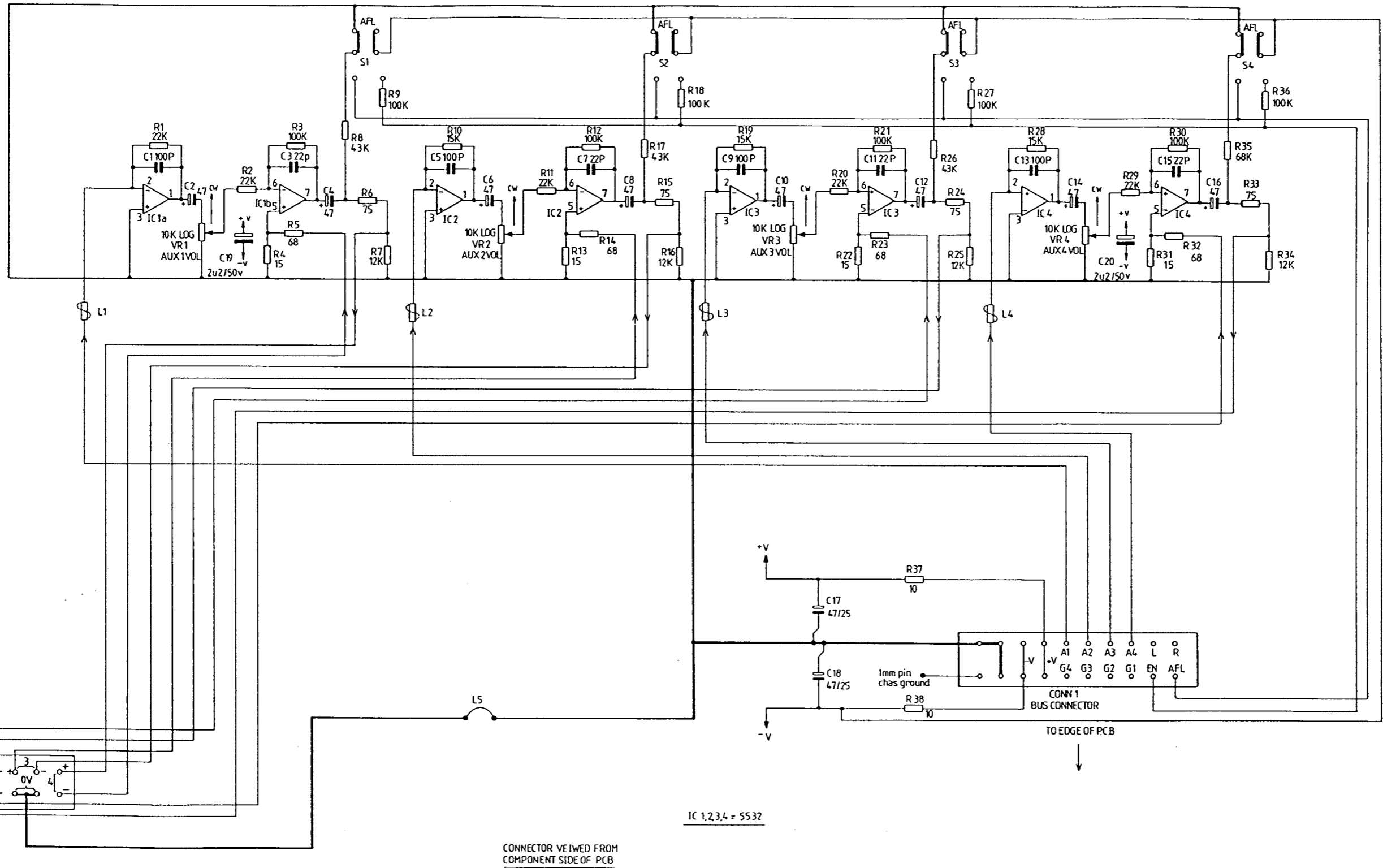
MATERIALS

MATERIAL	FINISH	SCALE
DRY	THIRD	CHRD
THIRD ANGLE PROJECTION	THIS DRAWING TO COMPLY TO BS 308	

SOUNDRAFT ELECTRONICS LTD
 UNIT 2,
 BONE HAMWOOD INDUSTRIAL PARK,
 BOWLEY LANE,
 BONE HAMWOOD,
 WILTSHIRE WD4 5PZ
 TELEPHONE 01-207-5050
 FACSIMILE No 2070104

TITLE S 20913
STEREO PROJECT
 DRG No ED 2298

Issue 1	9 - 4 - 85
Issue 2	13 - 5 - 85
Issue 3	3 - 7 - 85
Issue 4	31 7 85
ISSUE 5	12 - 2 - 86
ISSUE 6	6-9-89



IC 1,2,3,4 = 5532

CONNECTOR VIEWED FROM COMPONENT SIDE OF PCB

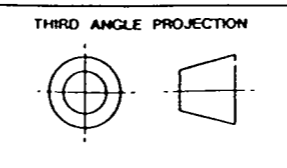
CONN 2 OUTPUT CONN
TO EDGE OF PCB

Soundcraft Electronics Limited own the copyright of this drawing which is not to be copied, reproduced or disclosed, in part or whole, to a third party without written permission.

NOTES.
ALL CONNECTORS VIEWED FROM COMPONENT SIDE OF PCB

HOLE INDEX.

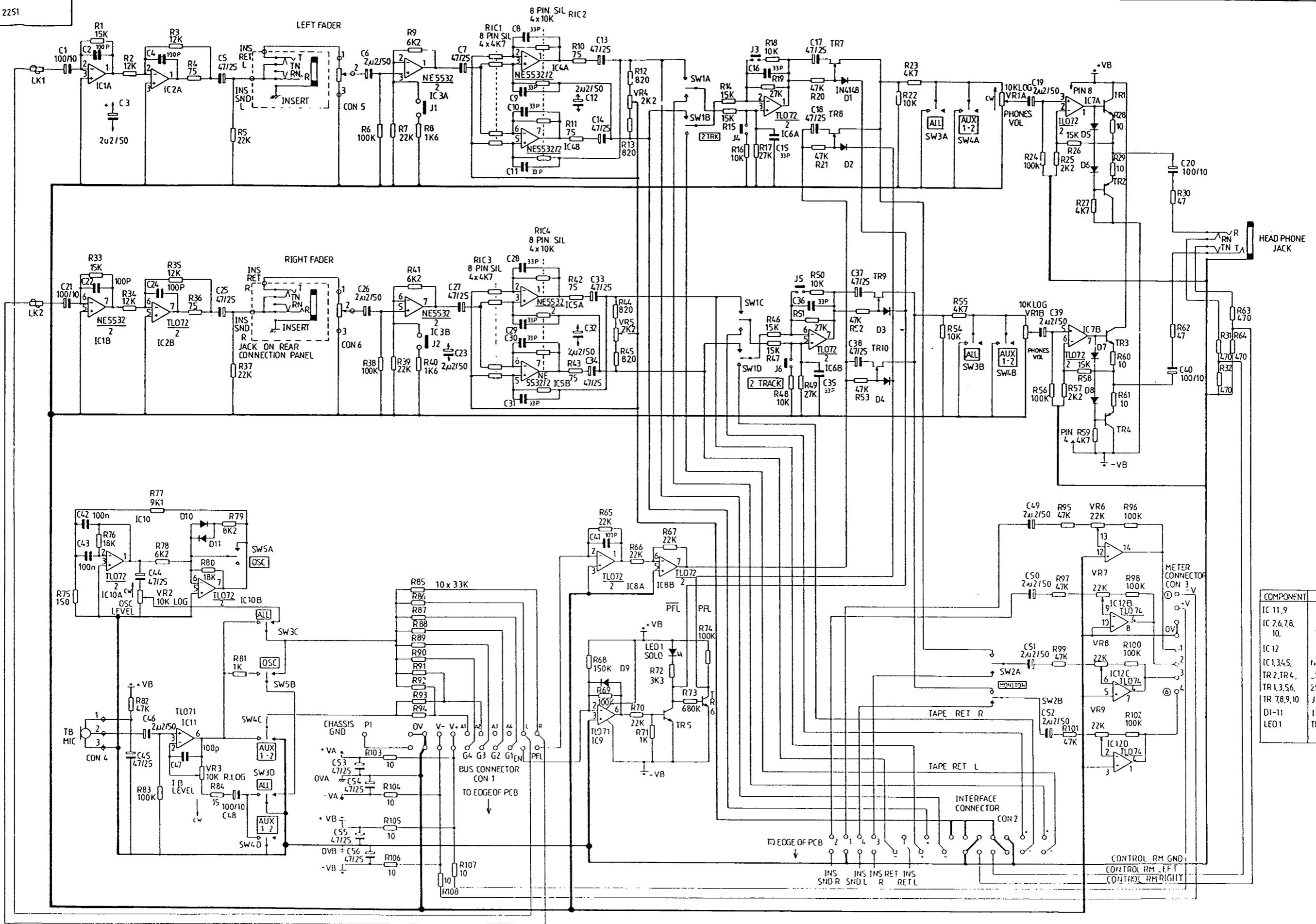
TOLERANCE.
All imperial dimensions ± 0.010
All metric dimensions $\pm 0.25\text{mm}$
All angles $\pm 0.50^\circ$
Unless otherwise stated.



MATL.
FINISH.
SCALE.

DRG. CHRIS
TRCD.
CHKD.
SOUNDCRAFT ELECTRONICS LTD.
5-8 GREAT SUTTON STREET
LONDON. EC IV. OBX.
TELEPHONE. 01-251-3631/2/3
TELEGRAMS. SOUNDCRAFT LDN. EC1
TELEX. UK No. 21198. USA No. 01-2203

TITLE. S 200 B
LH MASTER/CCT
DIAGRAM
(SC 1539)
DRG No. ED 2255



Issue 1	12 - 4 - 85
Issue 2	13 - 5 - 85
Issue 3	3 - 7 - 85
Issue 4	R1, 14, 15, 26, 33, R46, 47 & 58 WERE 22K. R85-94 WERE 47K. R95, 97, 99 & 101 WERE 27K. 19 - 3 - 87
Issue 5	Conn. 3, Pin Nos 1 & 8 Transposed. 29-5-87
Iss. 6	R12, R13, R44, R45 WERE 1K5. VR4, VR5 WERE 2K2. 17-05-89

COMPONENT	TYPE	PART NO
IC 11, 9	TL071	BE0404
IC 2, 6, 7, 8, 10	TL072	BE0413
IC 12	TL074	BE0403
IC 1, 3, 4, 5	NE5532	BE0428
TR 2, TR 4	2SA970 GMBD	0301
TR 1, 3, 5, 6	2SC2240 BL	BD 0302
TR 7, 8, 9, 10	J112 FET	BD0322
D1-11	1N4148	BA0001
LED1	TLR104	JA0003

Soundcraft Electronics Limited own the copyright of this drawing which is not to be copied, reproduced or disclosed, in part or whole, to a third party without written permission.

NOTES: ALL CONNECTORS VIEWED FROM COMP SIDE OF PCB
 ALL JUMPERS SHOWN FOR +4 dBu OPERATING LEVEL
 ○—○ JUMPER INSERTED
 ○—○ JUMPER NOT INSERTED
 FOR +10dBV OPERATING LEVEL REVERSE ALL JUMPERS

HOLE INDEX:
 TO EDGE OF PCB

TOLERANCE:
 All imperial dimensions ±0.010
 All metric dimensions ±0.25mm
 All angles ±0.50°
 Unless otherwise stated

THIRD ANGLE PROJECTION

MATL:
 FINISH:
 SCALE:

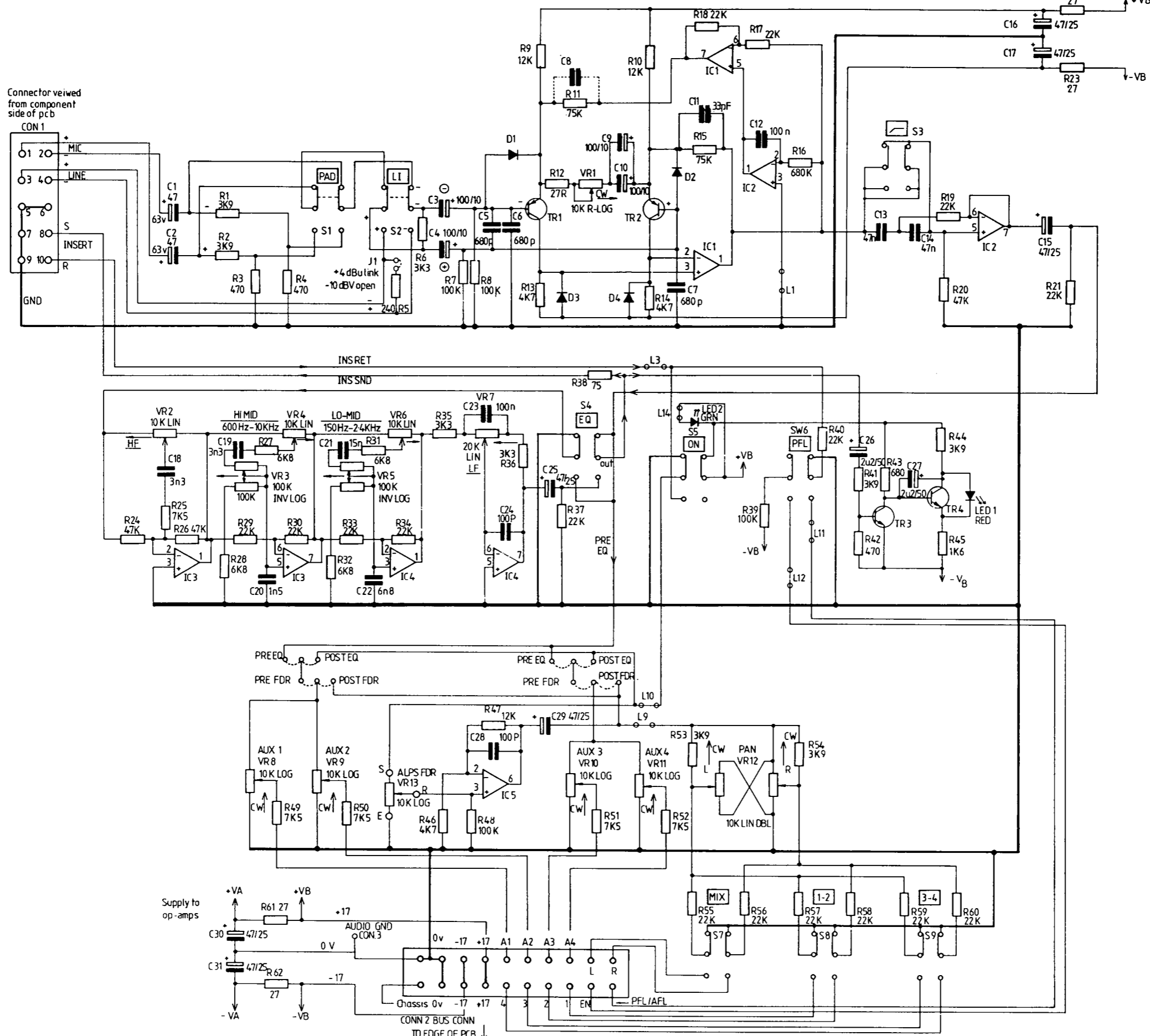
DRG: CHRIS
 TRCD:
 CHKD:

SOUNDCRAFT ELECTRONICS LTD.
 5-8 GREAT SUTTON STREET
 LONDON, EC4V 0BX.
 TELEPHONE: 01-251-3631/2/3
 TELEGRAMS: SOUNDCRAFT LON EC1
 TELEX UK No 21198, USA No 01-2203

TITLE: S 700 B
 MASTER R/W CIRCUIT
 DIAGRAM
 (SC 1540)
 DRG No. ED 2251

Connector viewed from component side of pcb
CON 1

To edge of PCB



Init1	Issue 1	26	1	86
C.S	Issue 2	R11 & R15 were	45K	DCR 1747
			21 - 2 - 87	
D.G.	ISSUE 3	AUDIO GND CON3	ADDED, P1 DELETED	13 - 2 - 89
J.H	ISSUE 4	C5 = 680pF	C11 (33pF) NOW	CONNECTED
				26-7-89

Soundcraft Electronics Limited own the copyright of this drawing which is not to be copied, reproduced or disclosed, in part or whole, to a third party without written permission.

NOTES
 IC 1,2,3,4 = TL072
 IC 5 = TL071
 TR 1,2 = 2N4403
 TR 3,4 = 2SC2240BL
 LED 2 GREEN
 LED 1 RED

HOLE INDEX

<input type="checkbox"/>	<input type="checkbox"/>
<input type="checkbox"/>	<input type="checkbox"/>
<input type="checkbox"/>	<input type="checkbox"/>
<input type="checkbox"/>	<input type="checkbox"/>

TOLERANCES

HOLE SIZES AFTER PAINTING

0-3mm	+0.10
	-0.00
OVER 3-6mm	+0.12
	-0.00
OVER 6-10mm	+0.15
	-0.00
OVER 10-18mm	+0.18
	-0.00
OVER 18-25mm	+0.21
	-0.00
OVER 25mm	+0.25
	-0.00

GENERAL TOLERANCES
 Delete where not applicable.
 ± 0.50mm (0.020")
 ± 0.25mm (0.010")
 ± 0.12mm (0.005")
 All angles ± 0.50°
 Hole centres ± 0.004"

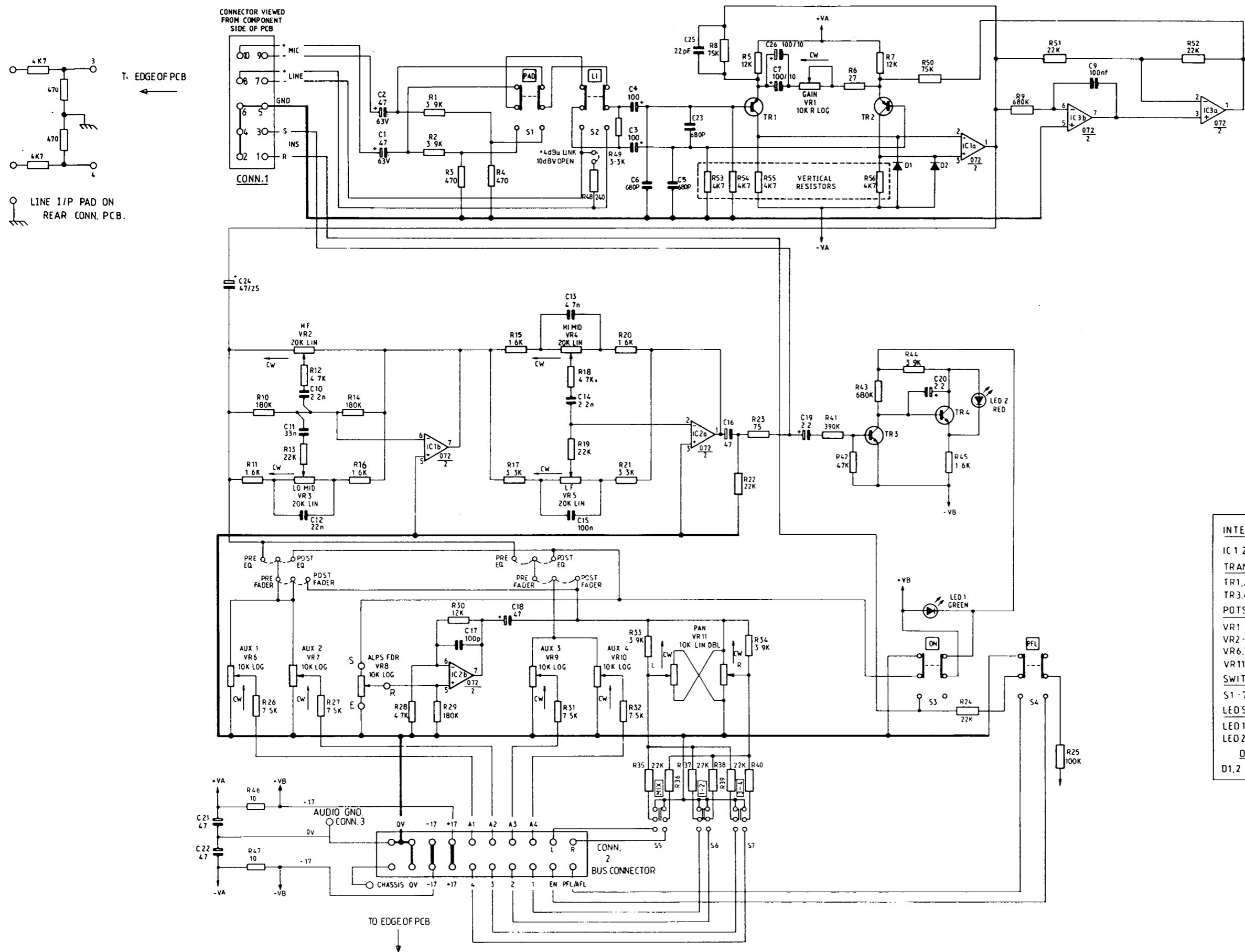
Unless otherwise stated.

MATL	DRN
FINISH	TRCD
SCALE	CHKD
THIRD ANGLE PROJECTION THIS DRAWING TO COMPLY TO BS308.	

SOUNDCRAFT ELECTRONICS LTD
 UNIT 2,
 BOREHAMWOOD INDUSTRIAL PARK,
 ROWLEY LANE,
 BOREHAMWOOD,
 HERTFORDSHIRE WD6 5PZ.
 TELEPHONE: 01-207-5050
 FACSIMILE No. 2070194

TITLE. S 200 B
 SWEEP EQ I/P
 CCT

DRG No. ED 2531



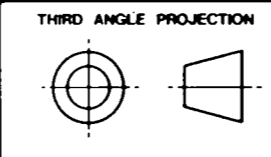
INTEGRATED CIRCUITS	PART Nos
IC 1, 2, 3=TL072	BE0413
TRANSISTORS	
TR1, 2 = 2N4403	BD0329
TR3, 4 = 2SC2240BL	BD0302
POTS	
VR1 = 10K REV LOG	DM1104
VR2 - 5 = 20K LIN	DM1107
VR6, 7, 9, 10 = 10K LOG	DM1103
VR11 = 10K LIN DBL	DM1101
SWITCHES	
S1 - 7	DF0516
LED'S	
LED1 = GREEN	JA0001
LED2 = RED	JA0002
DIODES	
D1, 2 IN4148	BA0001

Issue	Date
Issue 1	30 - 8 - 84
Issue 2	8 - 5 - 8
Issue 3	3 - 7 - 85
Issue 4	25 - 7 - 85
Issue 5	8 - 8 - 86
Issue 6	MIC. AMP CIRCUIT ADDED 3 - 3 - 87
Issue 7	Remove C8, C27. C25 was in circuit dotted. 12pF add. R53 - 56 Shown with 4K7 values. R41 - 390 was 3K9 R42 - 47K was 470 R46, 47 value 10 was 75. Line circuitry added at A1, A2 11-6-87
Issue 8	CONN 1 PINS TRANSPPOSED CAPACITORS TRANSPPOSED 16/10/87
Issue 9	CONN 3 ADDED 4 - 11 - 88
Issue 10	C5, C6, C23 - 680P C25 - 22pF 26-7-89

NOTES. ALL CONNECTORS VIEWED FROM COMPONENT SIDE OF PCB
All resistors in ohms
Capacitors in micro farads
Unless otherwise stated

HOLE INDEX.

TOLERANCE.
All imperial dimensions ±0.010
All metric dimensions ±0.25mm
All angles ±0.50°
Unless otherwise stated.



MATL. _____
FINISH. _____
SCALE. _____

DRG. Barry
TRCD. _____
CHKD. _____

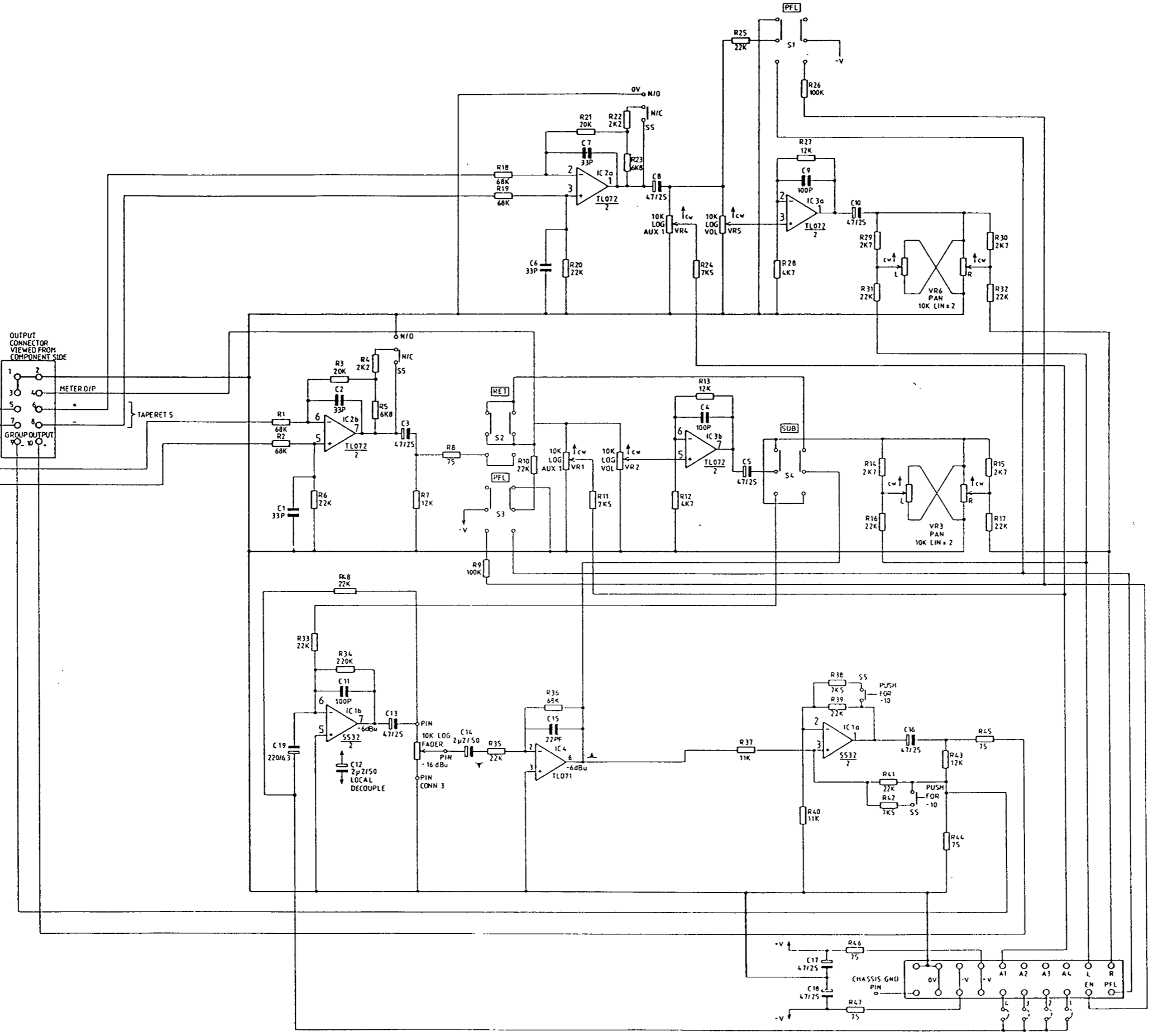
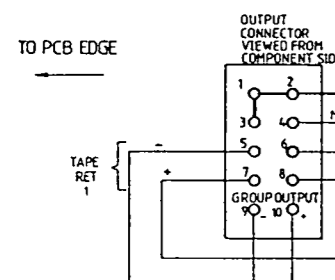
SOUNDRAFT ELECTRONICS LTD.
5-8 GREAT SUTTON STREET
LONDON, EC 4V 0BX.
TELEPHONE. 01-251-3631/2/3
TELEGRAMS. SOUNDRAFT LDM. EC1
TELEX. UK No. 21198. USA No. 01-2203

TITLE. S200B
STANDARD INPUT (CIRCUIT
DIAGRAM (SC1447))

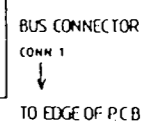
DRG No. ED2183

Soundcraft Electronics Limited own the copyright of this drawing which is not to be copied, reproduced or disclosed, in part or whole, to a third party without written permission.

Issue 1
Issue 2 MOODED 15-11-84
Issue 3 CONN MODDED AND RES N° CHANGED 9 - 5 - 85
Issue 4 3 - 7 - 85
Issue 5 22 - 8 - 86
Issue 6 R37 & R40 were 6K8 DCR 1746 21 - 2 - 87
Issue 7 C13 REVERSED 23-2-87
Issue 8 CHANGED VALUE R34 220k was 22k C19 220k63 was 47/25 ADDED R48 22K 25-4-89



COMPONENT	TYPE	PART NO.
IC1	NESS32	BE0428
IC2, IC3	TL072	BE0413
IC4	TL071	BE0404

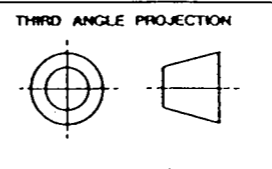


Soundcraft Electronics Limited own the copyright of this drawing which is not to be copied, reproduced or disclosed, in part or whole, to a third party without written permission.

NOTES.
ALL CONNECTORS VIEWED FROM COMPONENT SIDE OF PCB

HOLE INDEX.

TOLERANCE.
All Imperial dimensions ± 0.010
All metric dimensions $\pm 0.25mm$
All angles $\pm 0.50^\circ$
Unless otherwise stated.



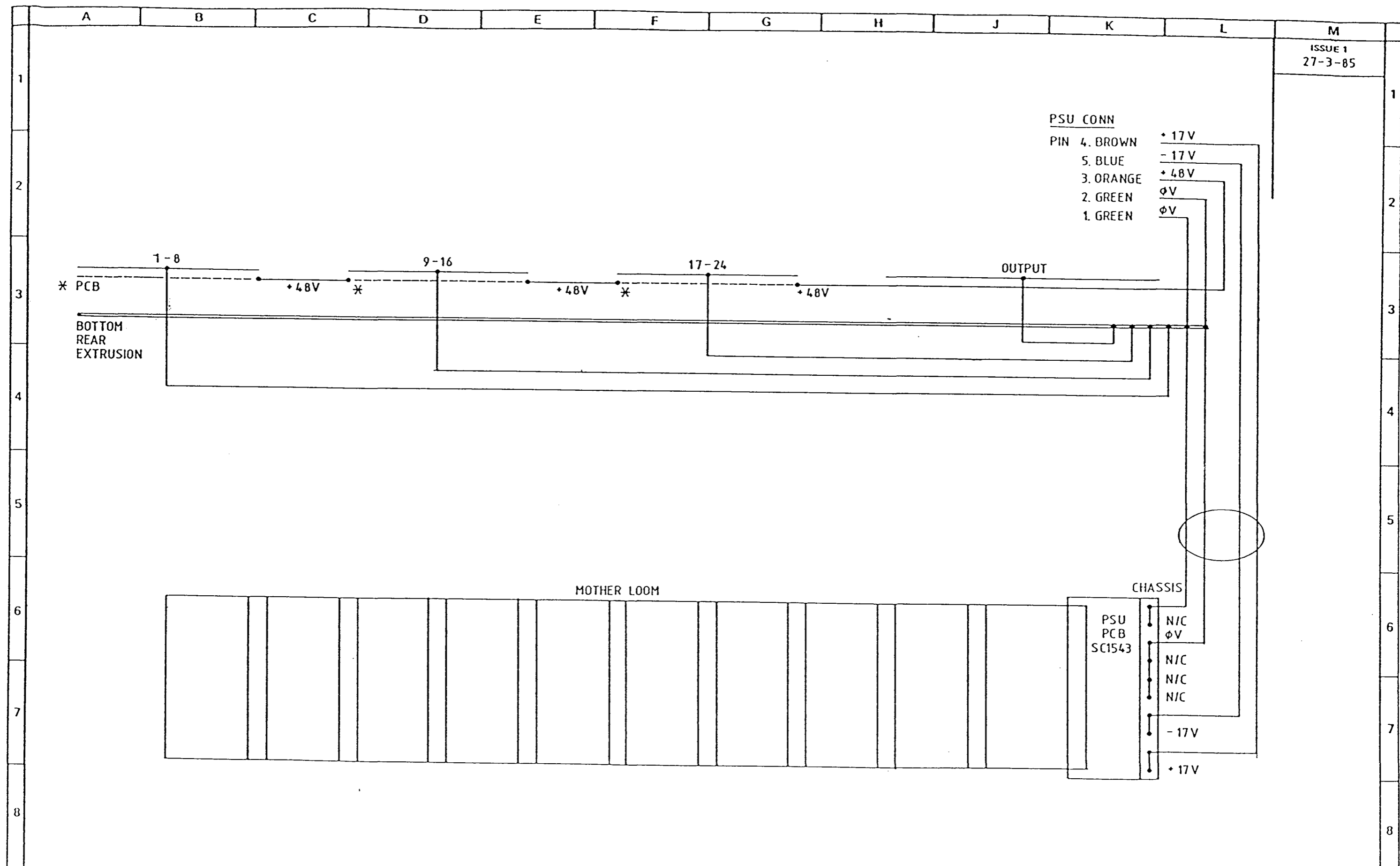
MATL. _____
FINISH. _____
SCALE. _____

DRG. _____
TRCD. *John H. H. H.*
CHKD. _____

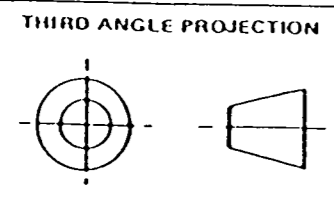
SOUNDCRAFT ELECTRONICS LTD.
5-8 GREAT SUTTON STREET
LONDON, EC4V 0BX.
TELEPHONE 01-251-3631/2/3
TELEGRAMS. SOUNDCRAFT LDN, EC1
TELEX. UK No. 21198, USA No. 01-2203

TITLE
S200B
STANDARD OUTPUT
CIRCUIT. (SC1446)

DRG No. EO 2179



ISSUE 1
27-3-85



TOLERANCE
 All Imperial dimensions ± 0.010
 All metric dimensions $\pm 0.25\text{mm}$
 All angles $\pm 0.50^\circ$
 Unless otherwise stated

HOLE INDEX

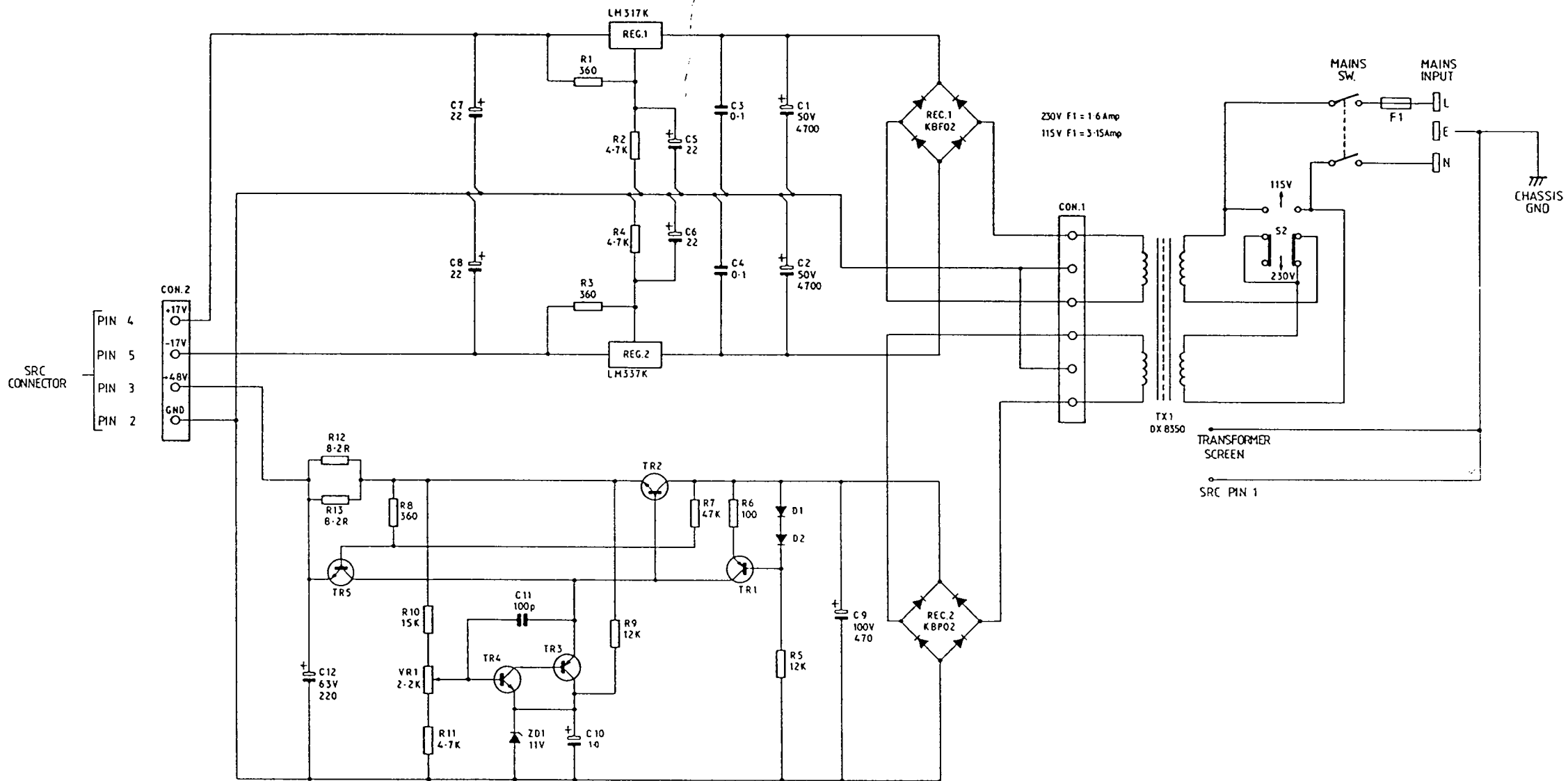
MATL
 FINISH
 SCALE

DRN
 TRCO
Cheryl D. Smith
 CHKO

SOUNDCRAFT ELECTRONICS LTD
 6-8 GREAT SUTTON STREET
 LONDON EC1V 0BX.
 TELEPHONE. 01-261-3831/2/3
 TELEGRAMS. SOUNDCRAFT LDN EC1
 TELEX. UK. No. 21198. USA. No. 224408

TITLE
 S200B
 CONSOLE WIRING
 DIAGRAM
 DRG. No. MI 2433

Issue 1	2 - 11 - 82
Issue 2	C10 was 22µf 28-8-84
ISSUE 3	Title was 400 B 8 - 1 - 86
ISSUE 4	CHASSIS GND ADDED 29/1/88
ISSUE 5	F1 FUSE RE- POSITIONED 21-8-89

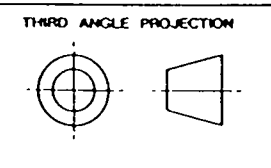


TRANSISTORS
 TR1 & 3 = 2SA970GR
 TR2 = BD135
 TR4 & 5 = 2SC1681BL

NOTES.
 All resistors in ohms.
 All capacitors in micro farads
 Unless otherwise stated.

HOXE INDEX

TOLERANCE.
 All imperial dimensions ± 0.010
 All metric dimensions $\pm 0.25\text{mm}$
 All angles $\pm 0.50^\circ$
 Unless otherwise stated.



MATL. —
 FINISH. —
 SCALE. —

DRG. Mark
 TRCD.
 CHKD.

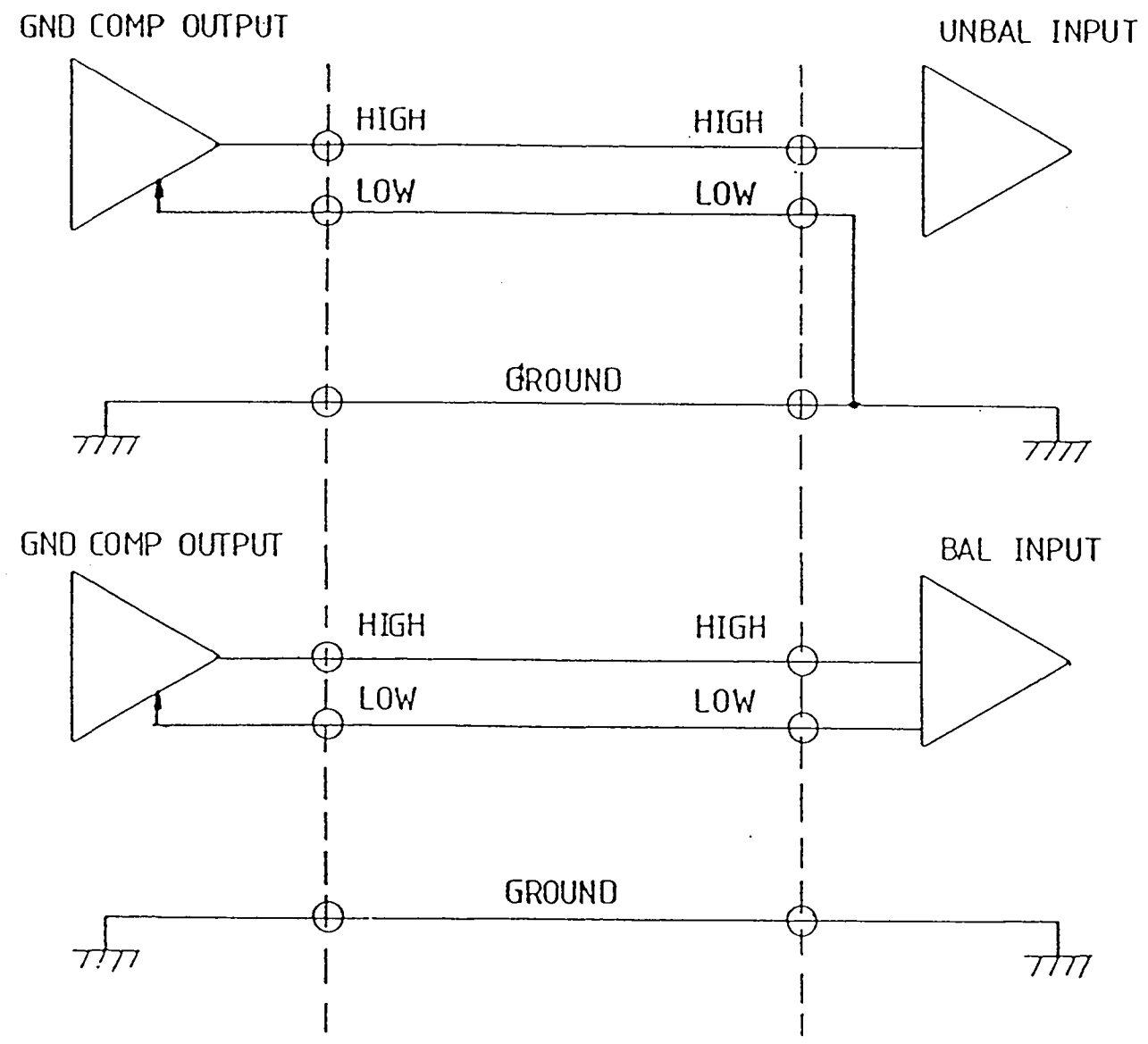
SOUNDCRAFT ELECTRONICS LTD.
 5-8 GREAT SUTTON STREET
 LONDON, EC1V, 0BX.
 TELEPHONE. 01-251-3631/2/3
 TELEGRAMS. SOUNDCRAFT LON. EC1
 TELEX. UK No. 21198. USA No. 01-2203

TITLE. SMALL CONSOLE
 POWER SUPPLY
 P.C.B

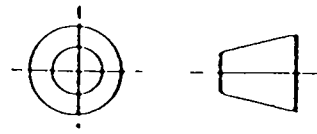
DRG No. ED 2116

Soundcraft Electronics Limited
 own the copyright of this drawing
 which is not to be copied, reproduced
 or disclosed, in part or whole, to a
 third party without written permission.

WIRING FOR GROUND COMPENSATED OUTPUT



THIRD ANGLE PROJECTION



TOLERANCE
 All Imperial dimensions ± 0.010
 All metric dimensions $\pm 0.25\text{mm}$
 All angles $\pm 0.50^\circ$
 Unless otherwise stated

HOLE INDEX

MATL

FINISH

SCALE

DRN GS

TRCD AB

CHKD

ROUND CRAFT ELECTRONICS LTD
 66 GREAT SUTTON STREET
 LONDON EC1V 0BX.
 TELEPHONE. 01-251-3631/2/3
 TELEGRAMS. ROUND CRAFT LON EC1
 TELEX. UK. No. 21195. USA. No. 224408

TITLE WIRING FOR
 GND COMP O/P

DRG. No. MI 2426