

NOTES

HOLE INDEX

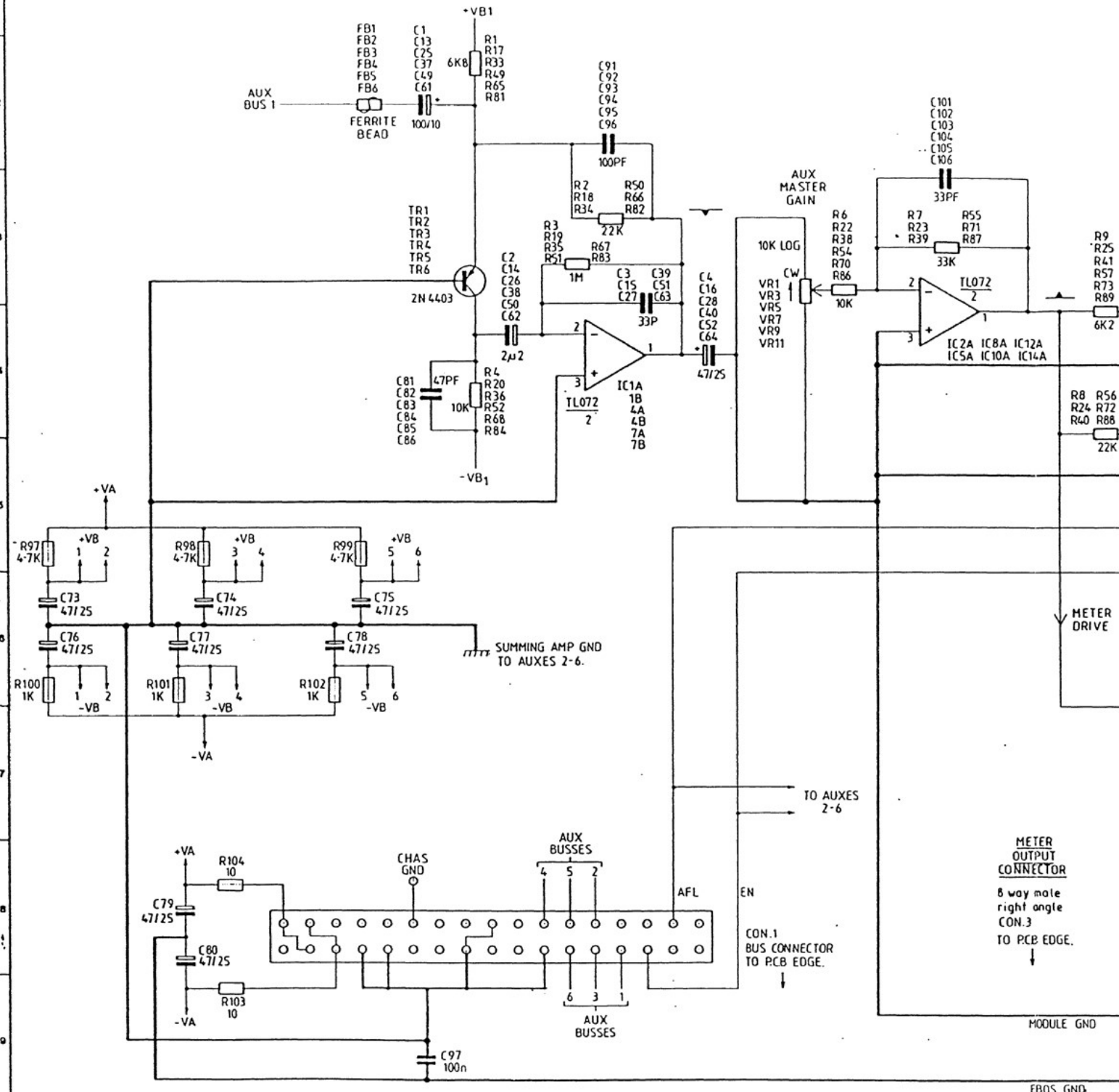
TOLERANCES

Soundcraft Electronics Limited own the copyright of this drawing which is not to be copied, reproduced or disclosed, in part or whole to a third party without written permission

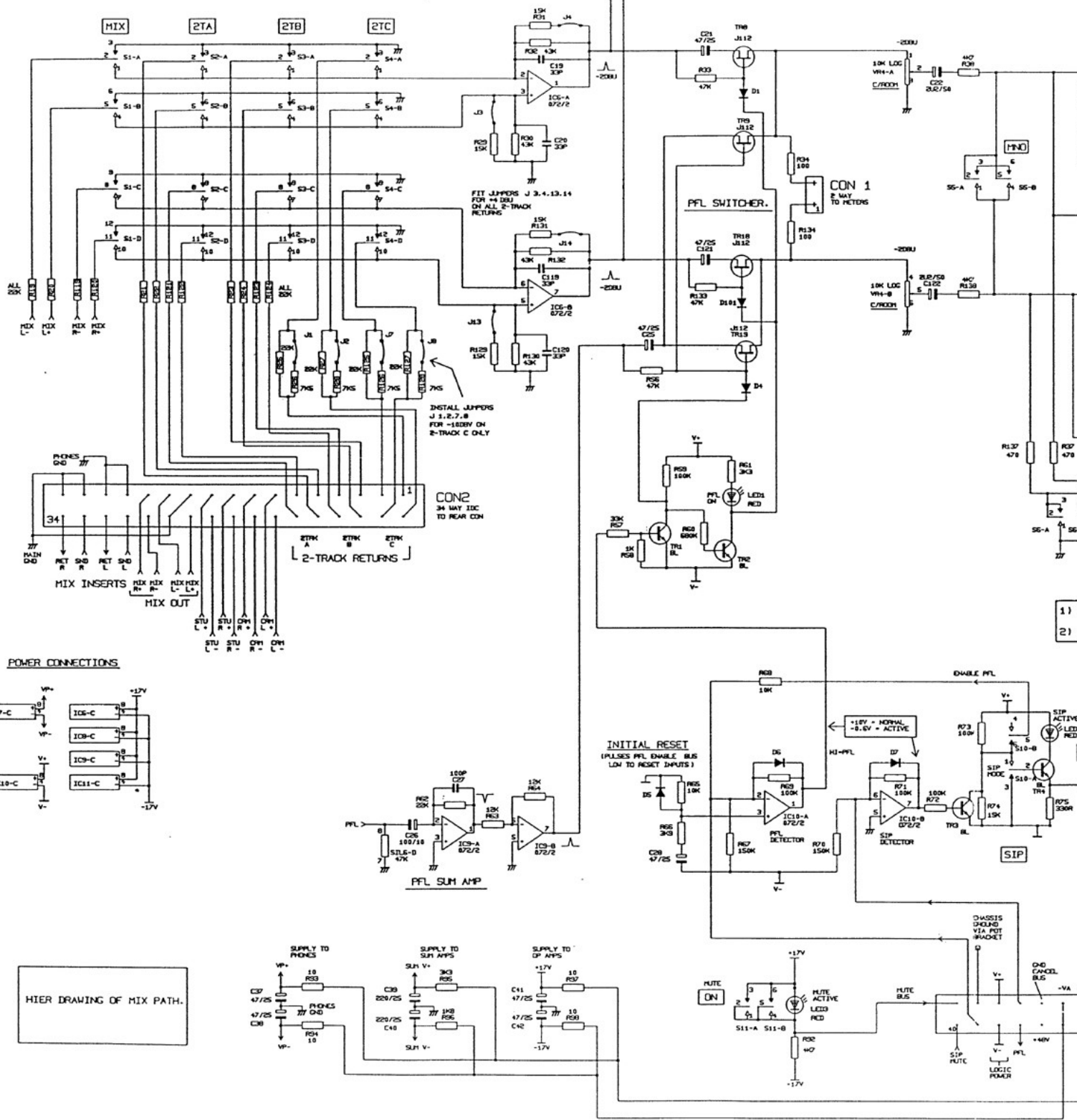
□	
□	
□	
□	
□	

HOLE SIZES AFTER PAINTING

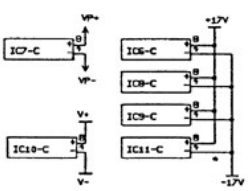
0.3mm	+0.10
OVER 1.5mm	+0.12
OVER 4.0mm	+0.15
OVER 10.0mm	+0.20
OVER 18.25mm	+0.25
OVER 25.0mm	+0.30



MONITOR SELECT



POWER CONNECTIONS



HIER DRAWING OF MIX PATH.

NOTES

Soundcraft Electronics Limited own the copyright of this drawing which is not to be copied, reproduced

HOLE INDEX



TOLERANCES

HOLE SIZES AFTER PAINTING	
0-3mm	+0.10
	-0.00
OVER 3-6mm	+0.17
	-0.00
OVER 6-10mm	+0.15
	-0.00

A

B

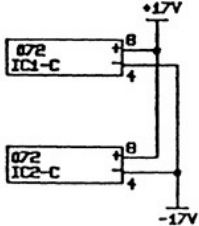
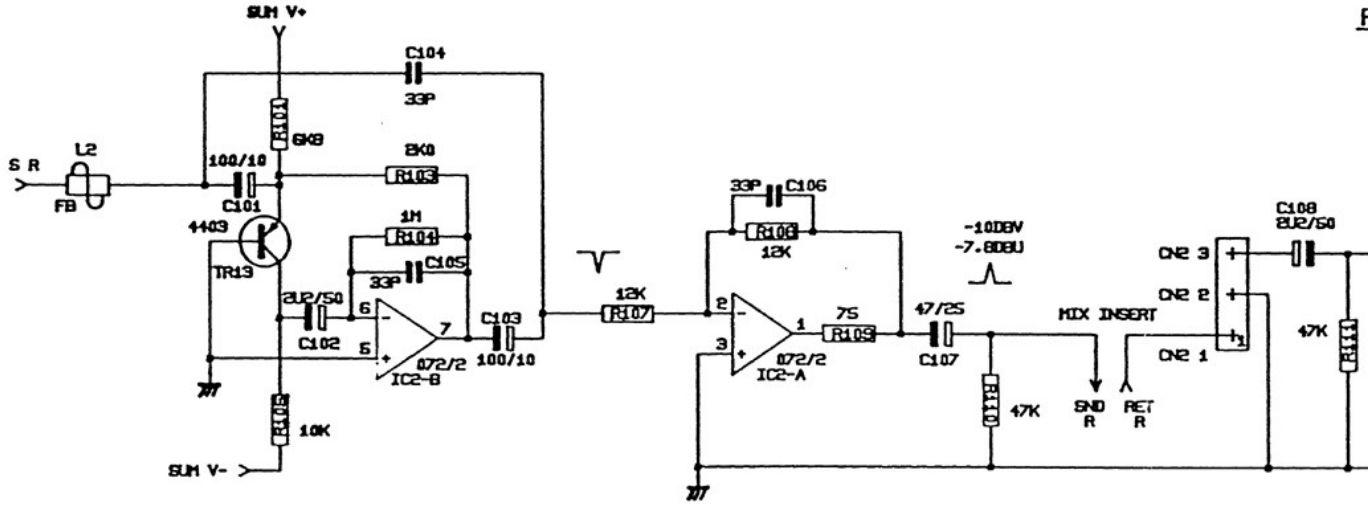
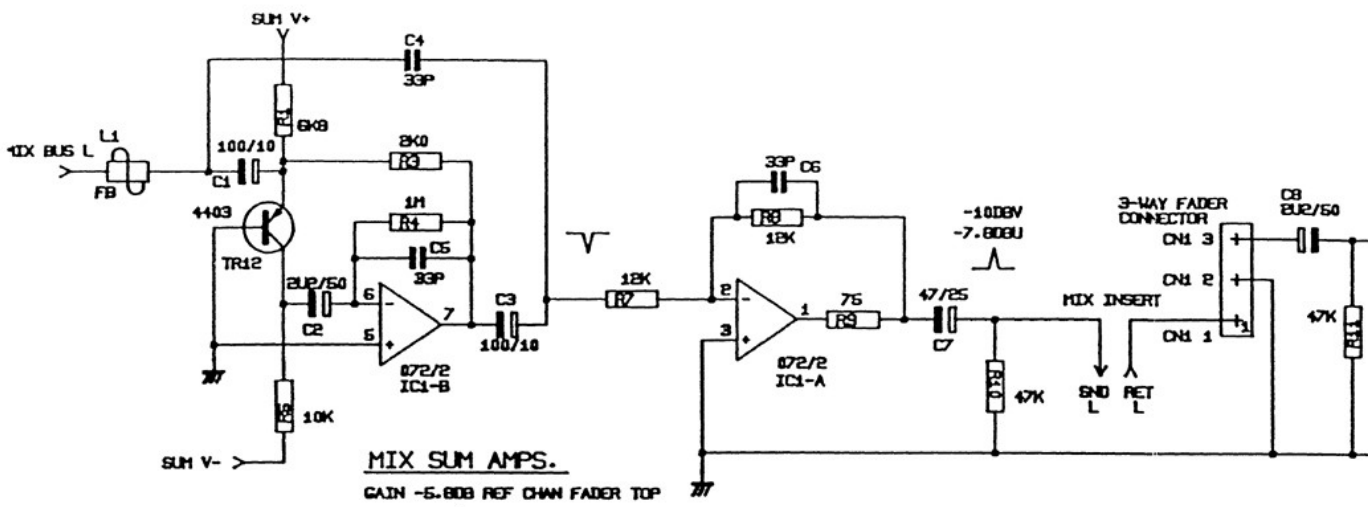
C

D

E

F

G



RESISTOR
+100 FO

TOLERANCES

HOLE SIZES AFTER FINISHING

0-3mm	+0.10 -0.00
OVER 3-6mm	+0.12 -0.00
OVER 6-10mm	+0.15 -0.00
OVER 10-25mm	+0.18 -0.00
OVER 25-50mm	+0.21 -0.00

GENERAL TOLERANCE

Delete where not applicable.
 ± 0.50 mm (0.020)
 ± 0.25 mm (0.010)
 ± 0.12 mm (0.005)
 HOLE CENTRES ± 0.004"
 ALL ANGLES ± 0.50°

HOLE INDEX

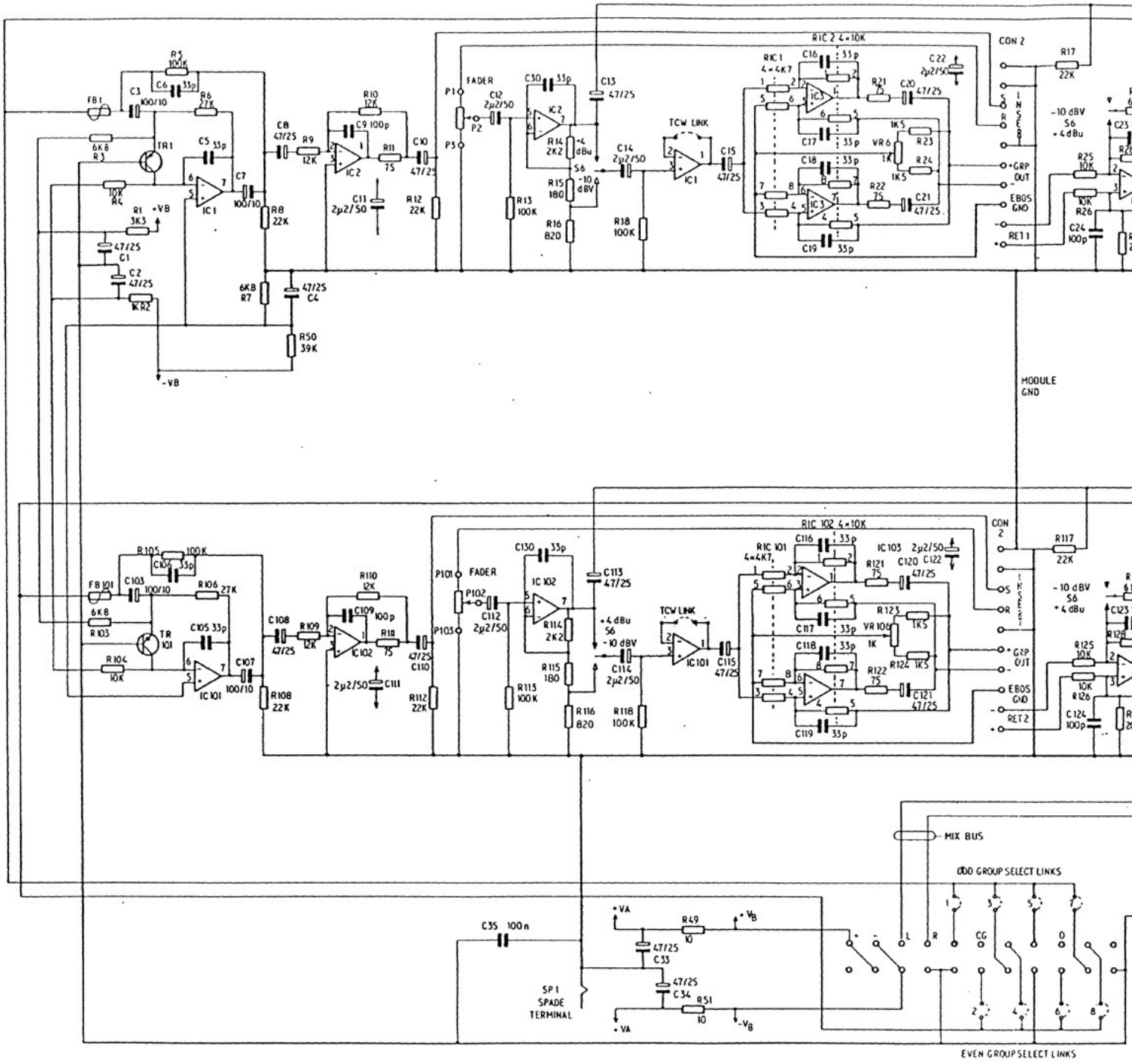


MATL

FINISH

SCALE



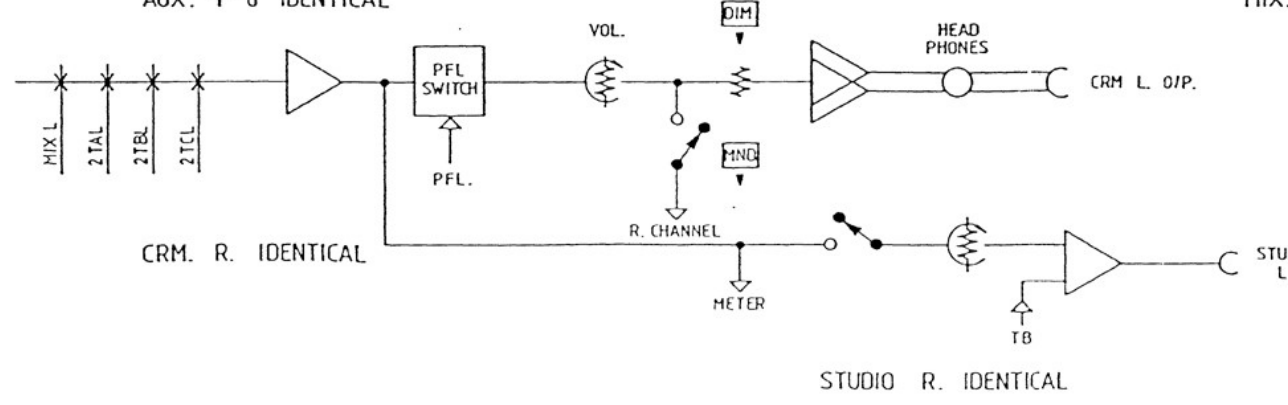
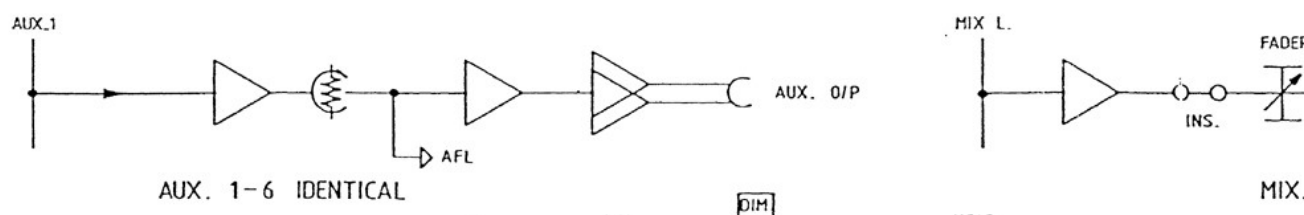
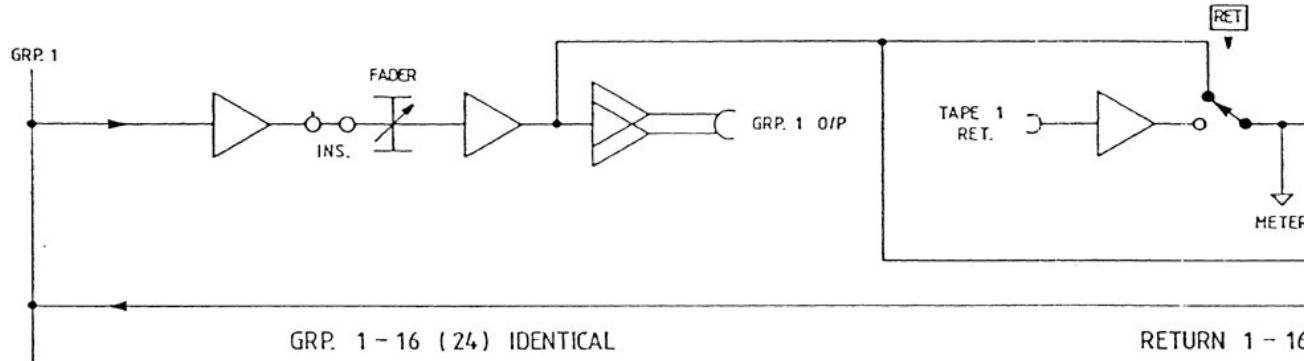
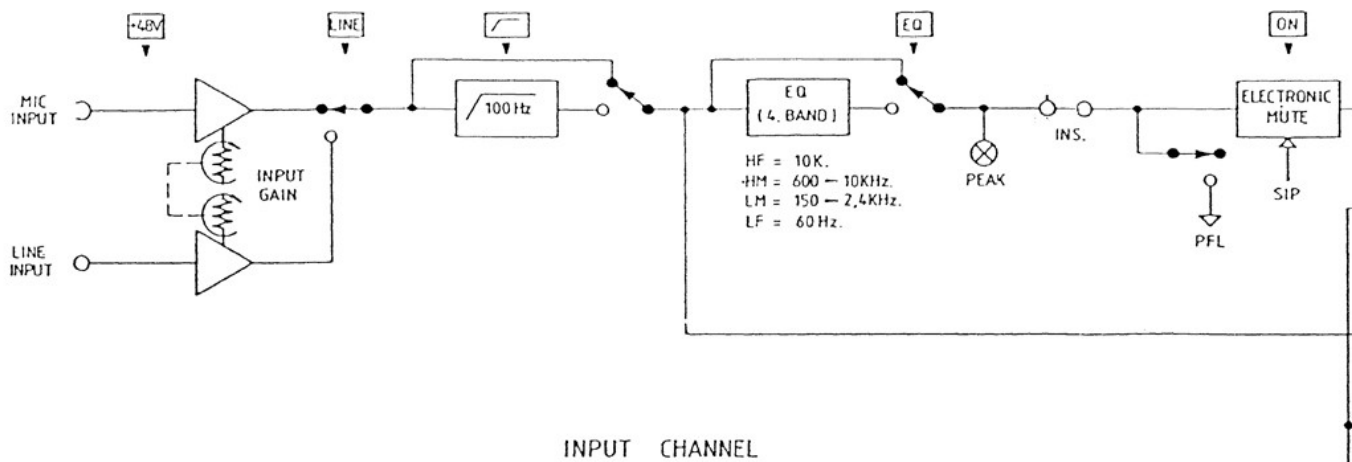


COMPONENT	DEVICE	PART N°
IC 2, 3, 102, 103	NE 5532	BE0 428
IC 1, 4, 5, 101, 104, 105	TL072	BE0 415
TR 1, 101	2N4403	BDO 329
LED 1, 2	TLG102	JA0001

NOTES.

HOLE INDEX.

TOLERANCE.



Soundcraft Electronics Limited
own the copyright of this drawing
which is not to be copied, reproduced

NOTES

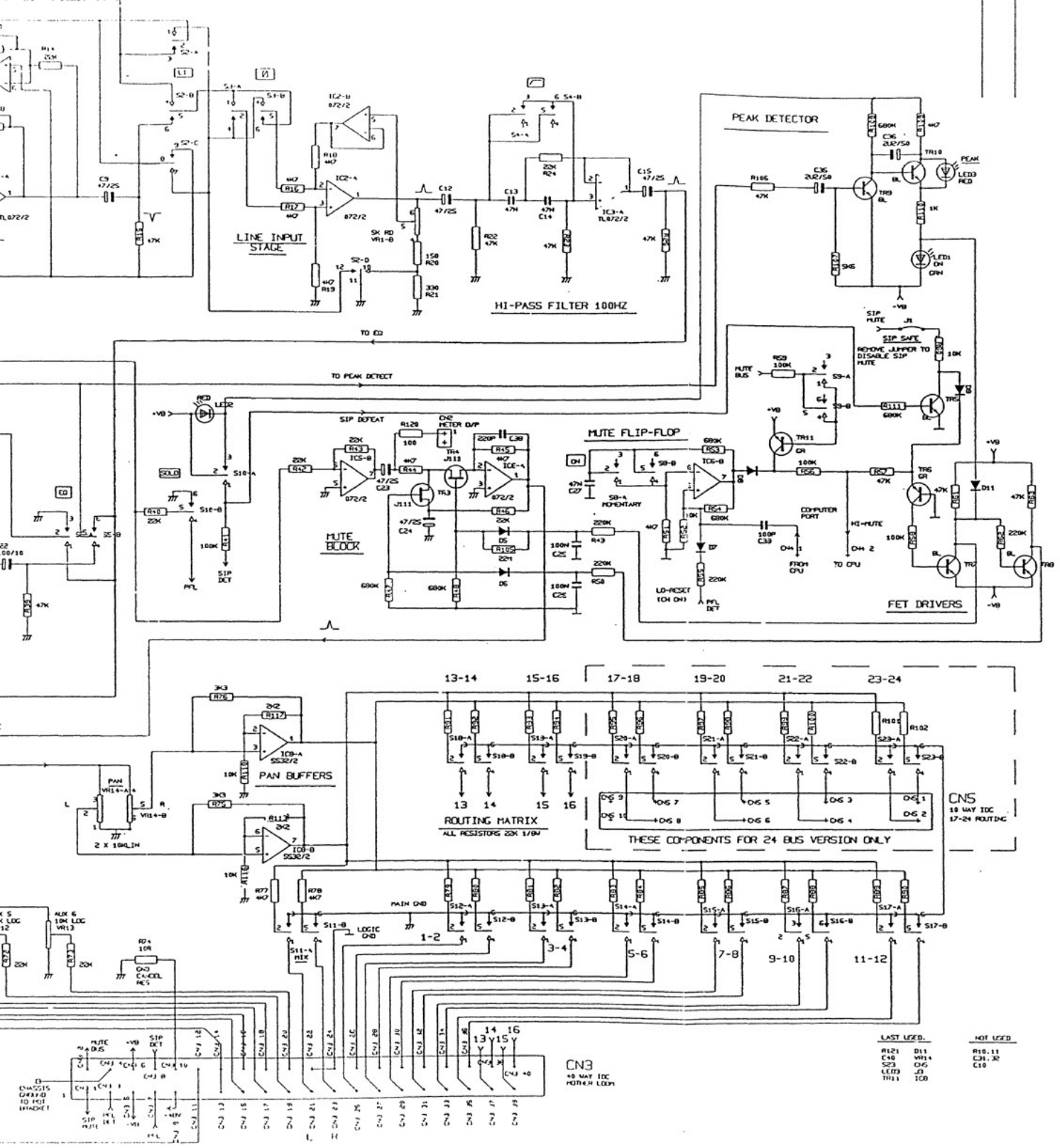
HOLE INDEX



TOLERANCES

HOLE SIZES AFTER PAINTING

0-3mm	+ 0.10
	- 0.00
OVER 3-6mm	+ 0.12
	- 0.00
OVER 6-10mm	+ 0.15
	- 0.00
	+ 0.18



TOLERANCES

HOLE SIZES AFTER PAINTING	
0-3mm	+0.00
0.4-0.8mm	+0.00
0.8-1.0mm	+0.01
1.0-1.5mm	+0.01
1.5-2.0mm	+0.02
2.0-3.0mm	+0.03
3.0-4.0mm	+0.04
4.0-5.0mm	+0.05
5.0-6.0mm	+0.06
6.0-8.0mm	+0.08
8.0-10.0mm	+0.10
10.0-12.0mm	+0.12
12.0-15.0mm	+0.15
15.0-20.0mm	+0.20
20.0-25.0mm	+0.25

GENERAL TOLERANCES
 Unless otherwise specified
 1:50mm to 0.25mm
 0.25mm to 0.5mm
 0.5mm to 1.0mm
 1.0mm to 2.0mm
 2.0mm to 5.0mm
 5.0mm to 10.0mm
 10.0mm to 25.0mm
 25.0mm to 50.0mm
 50.0mm to 100.0mm
 100.0mm to 200.0mm
 200.0mm to 500.0mm
 500.0mm to 1000.0mm
 ALL ANGLES 45°

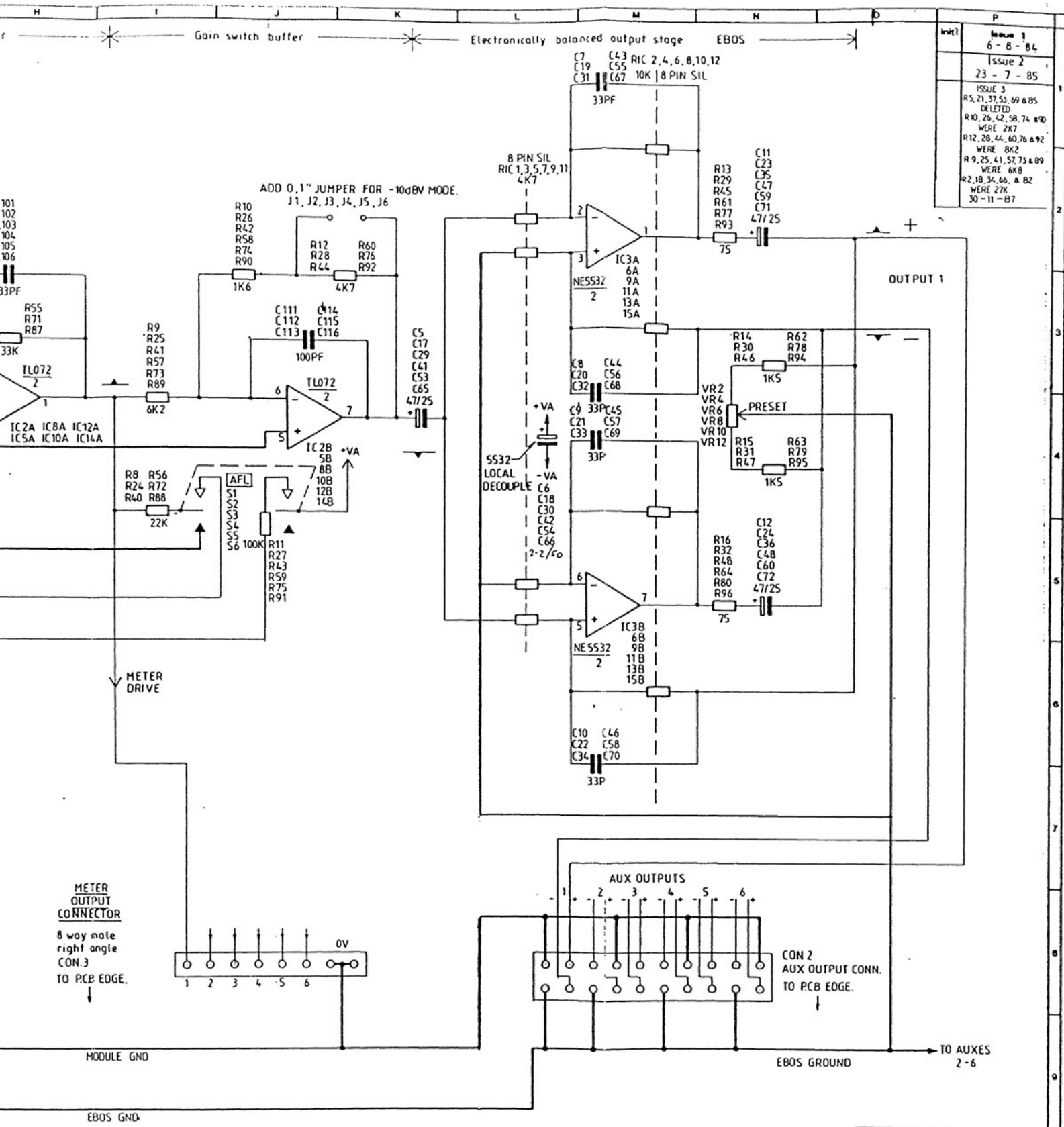
DATE _____
 FINISH _____
 SCALE _____
 THIRD ANGLE PROJECTION
 THIS DRAWING TO COMPLY
 TO BS 5400

DRN _____
 DG _____
 TRED _____
 ENKD _____

SOUNDCRAFT ELECTRONICS LTD
 UNIT 7,
 BOREHAMWOOD INDUSTRIAL PARK,
 ROWLEY LANE,
 BOREHAMWOOD,
 HERFORDSHIRE WD6 5PZ
 TELEPHONE 01-207-5050
 FACSIMILE No 2070194

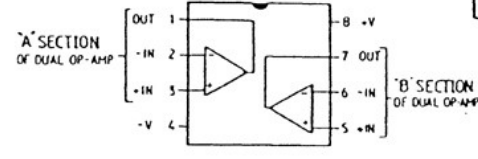
TITLE
**S6000
 INPUT CHANNEL
 PCB**

DRG No E 10771

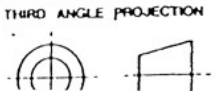


Issue	Range
Issue 1	6 - 8 - 84
Issue 2	23 - 7 - 85
Issue 3	R5, 21, 37, 53, 69 & B5 DELETED R10, 26, 42, 58, 74 & B0 WERE 2K7 R12, 28, 44, 60, 76 & B2 WERE 8K2 R9, 25, 41, 57, 73 & B9 WERE 6K8 R2, 18, 34, 46, & B2 WERE 27K 30 - 11 - 87

COMPONENT	DEVICE	PART No.
IC 1, 2, 4, 5, 7, 8, 10, 12, 14	TL072	BE0413
IC 3, 6, 9, 11, 13, 15	NE5532	BE0428
TR 1, 2, 3, 4, 5, 6	2N4403	BD0329



TOLERANCE:
All Imperial dimensions ± 0.010
All metric dimensions $\pm 0.25mm$

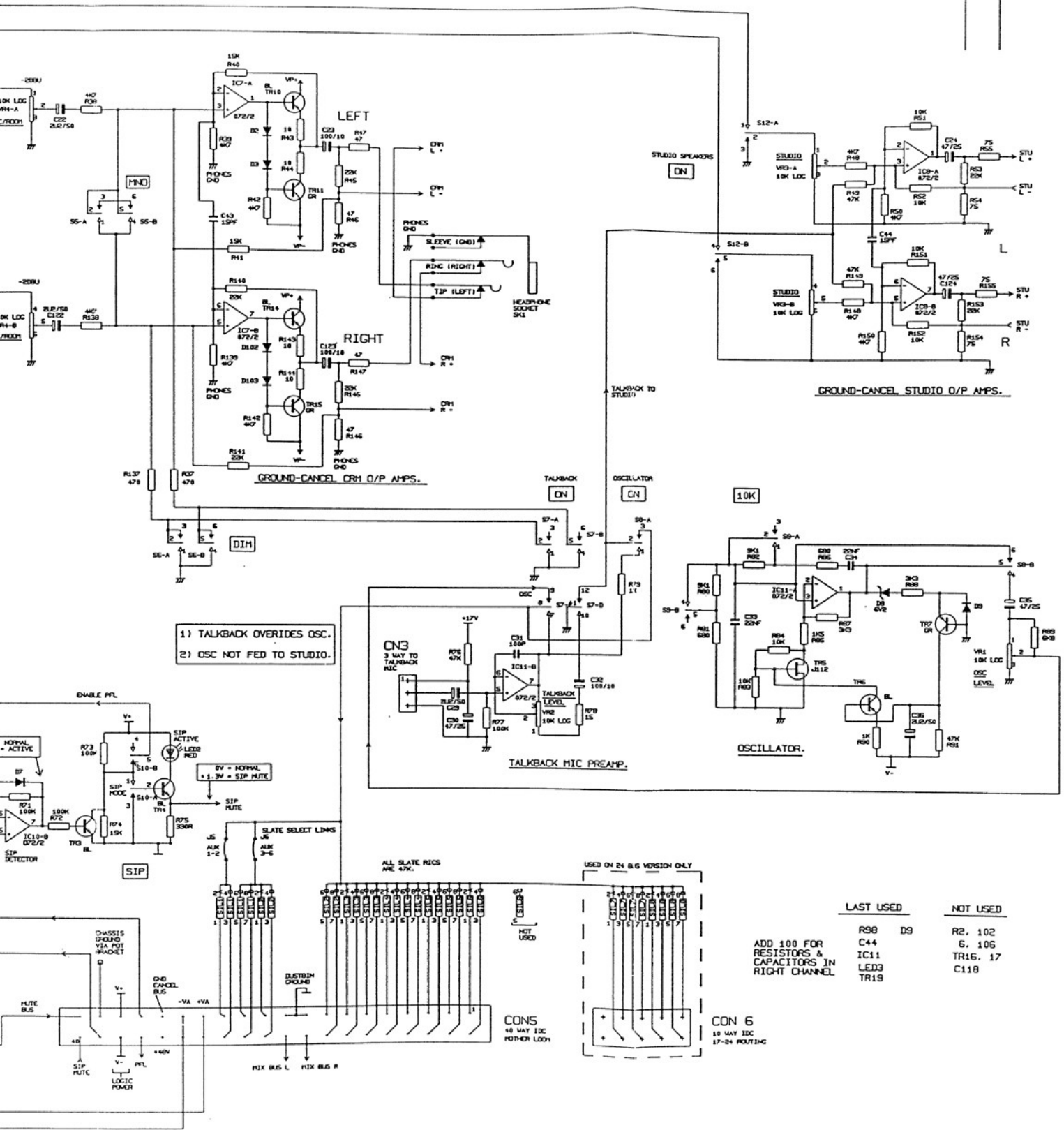


MATL.
FINISH

DRG. DS
T'DCO. Sharon

SOUNDCRAFT ELECTRONICS LTD.
6-8 GREAT BUTTON STREET
LONDON, EC1V 0BX.
TELEPHONE: 01-251-3631/2/3

TITLE: S5001600
AUX MASTER LH
(CIRCUIT DIAGRAM)



TOLERANCES
 HOLE SIZES AFTER PAINTING

0-3mm	+0.10
	-0.09
OVER 3-6mm	+0.17
	-0.09
OVER 6-10mm	+0.15
	-0.08

GENERAL TOLERANCES
 Delete where not applicable

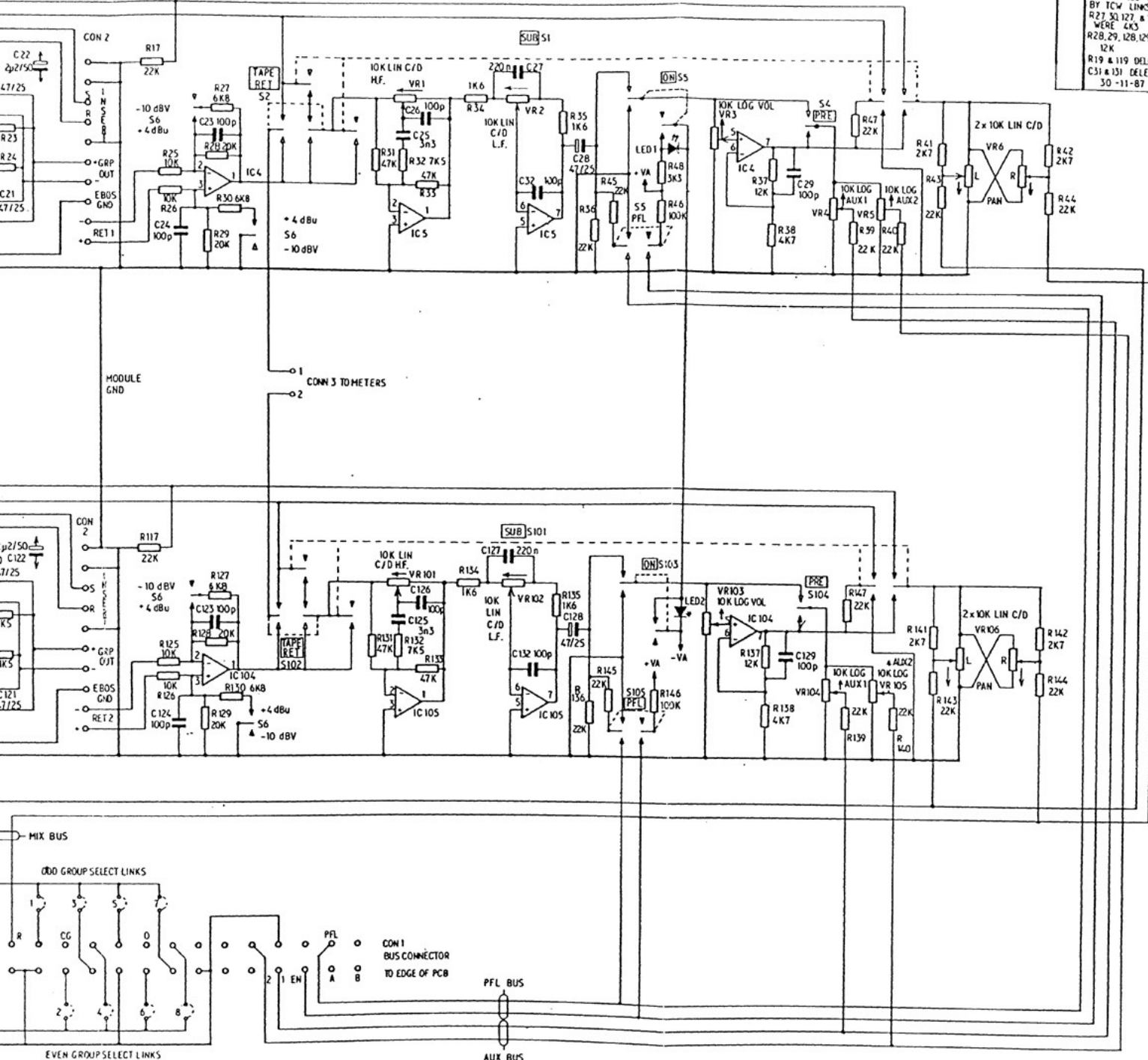
±0.50mm	(0.020")
±0.25mm	(0.010")

MATL	_____
FINISH	_____
SCALE	_____
DRN	D.P
TRCD	_____
CHKD	_____

SOUNDCRAFT ELECTRONICS LTD
 UNIT 2,
 BOREHAMWOOD INDUSTRIAL PARK,
 ROWLEY LANE,
 BOREHAMWOOD

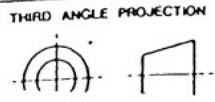
TITLE
 S6000
 MASTER R/HAND PCB
 SHT 1 - 2

Issue 5
 REDRAWN
 24 - 7 - 85
 ISSUE 6
 COMPONENTS ADDED
 7 - 8 - 85
 ISSUE 7
 R20 & R120 REPLACED
 BY 10K LINKS
 R27 30 12K & 130
 WERE 4K3
 R28, 29, 128, 129 WERE
 12K
 R19 & 119 DELETED
 C31 & 131 DELETED
 30-11-87



PART N°
BE0428
BE0413
BD0329
JA0001

TOLERANCE.
 All imperial dimensions ±0.010
 All metric dimensions ±0.25mm

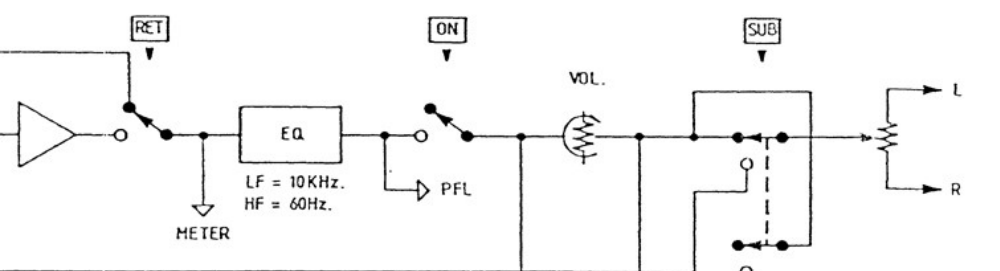
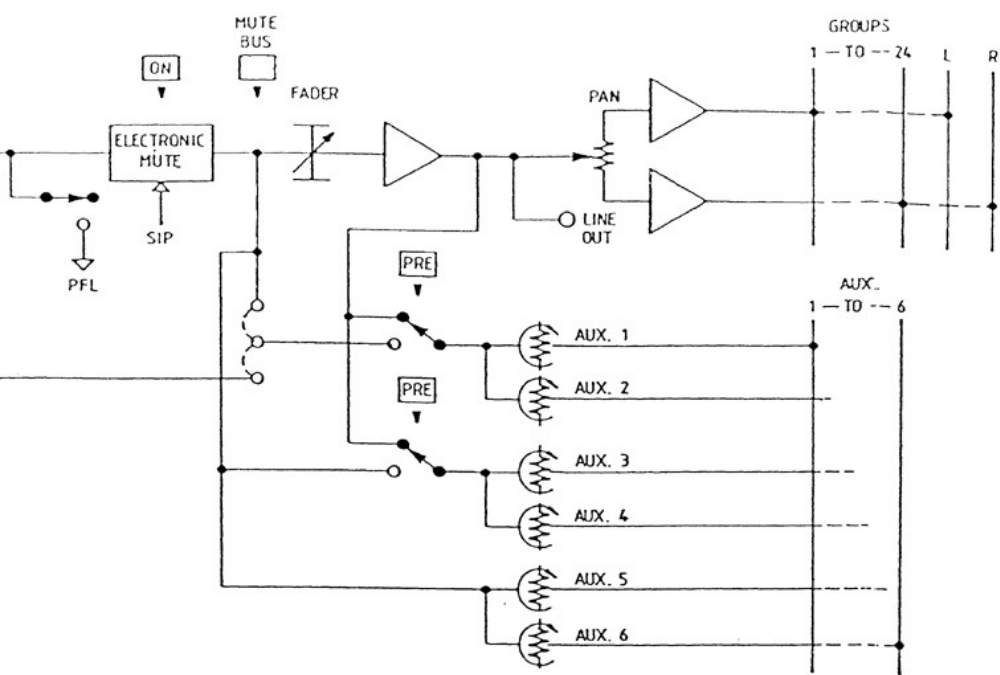


MATL.
 FINISH.

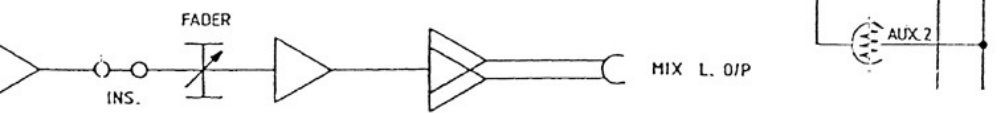
DRG.
 CHRIS
 TRCD.

SOUNDCRAFT ELECTRONICS LTD.
 5-8 GREAT SUTTON STREET
 LONDON, EC4V 0BX.
 TELEPHONE. 01-251-3631/2/3

TITLE. S500
 STANDARD O/P

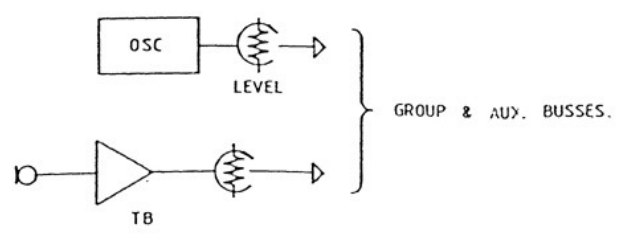
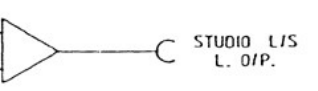


RETURN 1 - 16 (24) IDENTICAL



MIX. R. IDENTICAL

CRM L. O/P.



- KEY**
- PROGRAMABLE JUMPER
 - FRONT PANEL CONTROL
 - N/C SWITCH CONTACT
 - N/O SWITCH CONTACT
 - ELECTRONICALLY BALANCED OUTPUT AMP.

TOLERANCES

HOLE SIZES AFTER PAINTING

0-3mm	+ 0.10
	- 0.00
OVER 3-6mm	+ 0.12
	- 0.00
OVER 6-10mm	+ 0.15
	- 0.00
	+ 0.18

GENERAL TOLERANCES

Delete where not applicable.

+ 0.50 mm (0.020")
+ 0.25 mm (0.010")
+ 0.12 mm (0.005")

MATL	_____
FINISH	_____
SCALE	_____

DRN	_____
D.G.	_____
TRCD	_____
CHKD	_____

SOUNDCRAFT ELECTRONICS LTD
UNIT 2,
BOREHAMWOOD INDUSTRIAL PARK,
ROWLEY LANE,
BOREHAMWOOD,
HERTFORDSHIRE WD8 5PZ.

TITLE.
S 6000
SYSTEM DIAGRAM