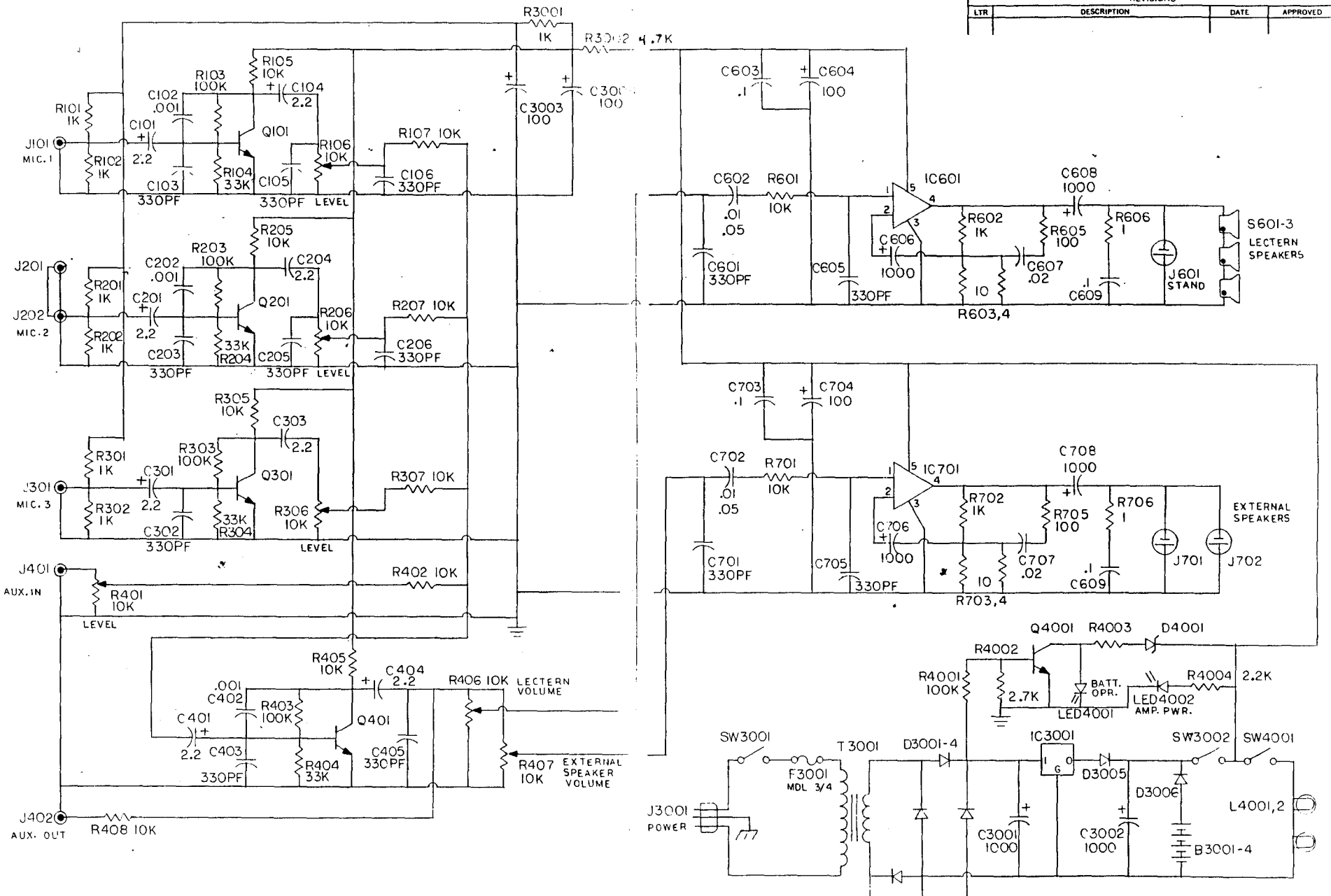


REVISIONS			
LTR	DESCRIPTION	DATE	APPROVED



TOLERANCES UNLESS OTHERWISE SPECIFIED			SM100/200, SA102/202		
FRACTIONS	DEC	ANGLES			
±	±	±			
APPROVALS		DATE			
DRAWN					
CHECKED		SCALE		SIZE	
				DRAWING NO.	
				C	
DO NOT SCALE DRAWING			SHEET		