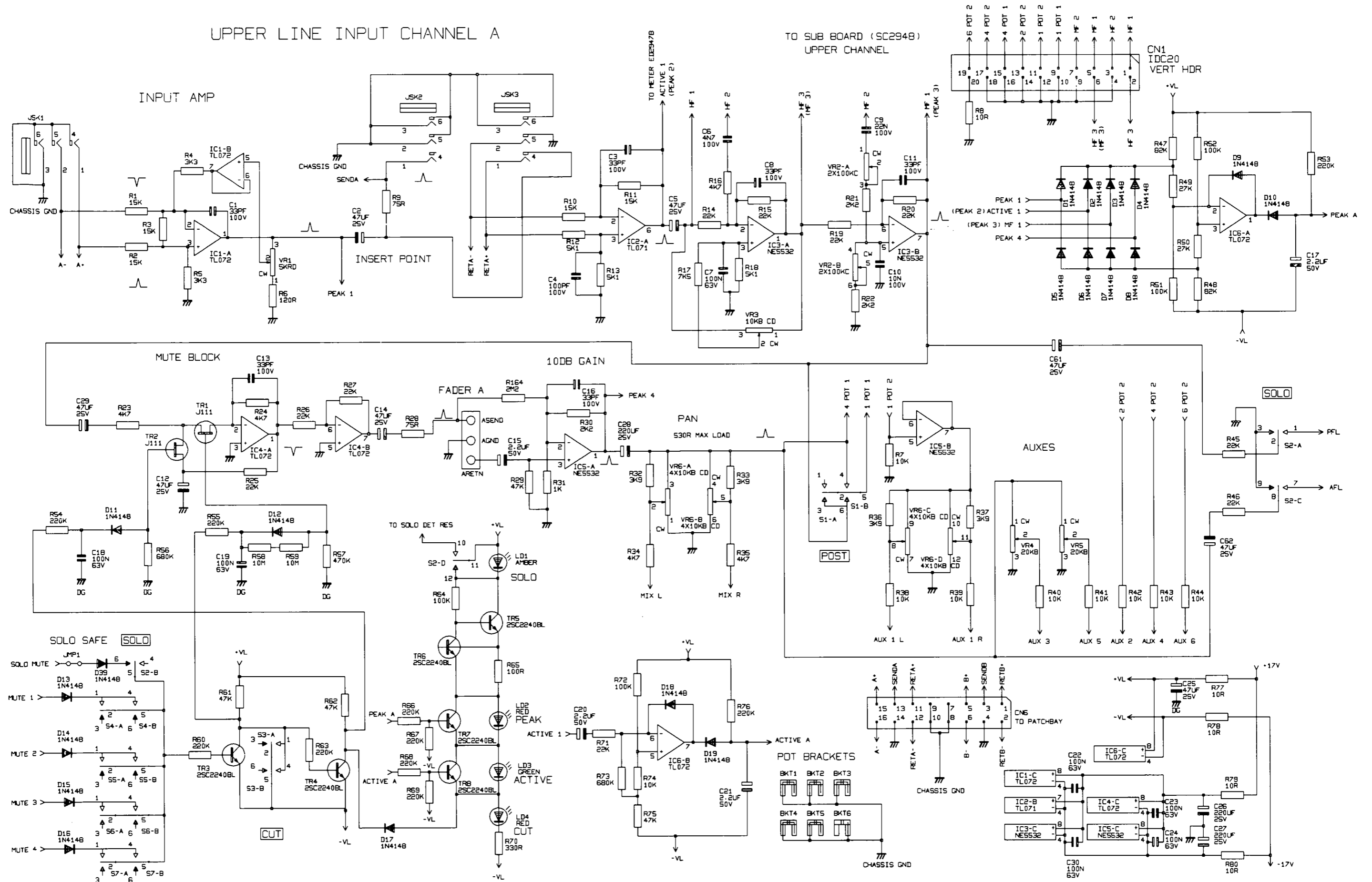


UPPER LINE INPUT CHANNEL A



LOWER LINE INPUT CHANNEL B

