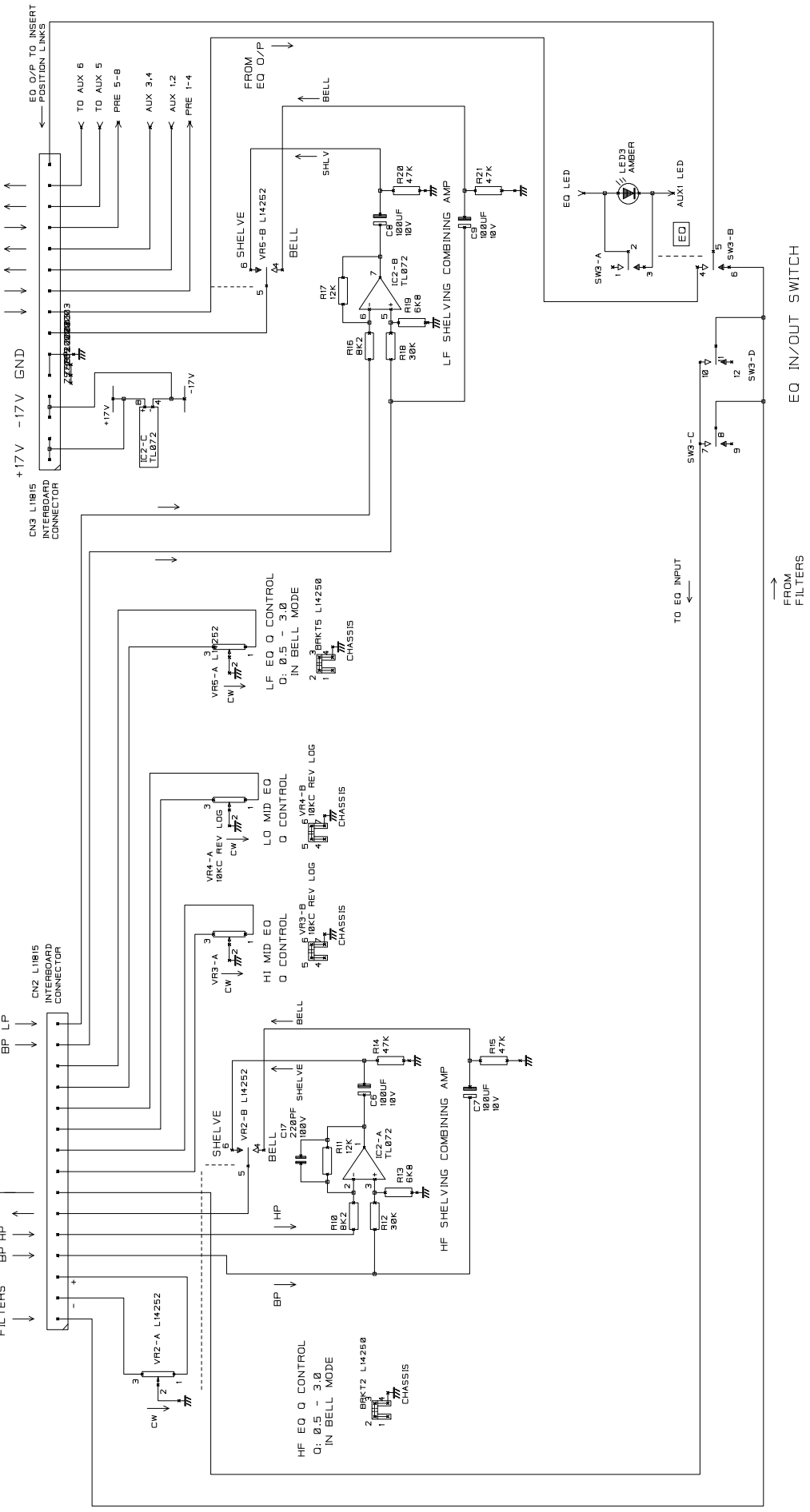


DRG NO.	ED3698A
TITLE	SERIES 5 MONO INPUT. RH PCB
DRG NO.	ED3698A

DRN.	DS
------	----

NOTES	R53 LED22
LAST USED	C16
	IC3
	SW32



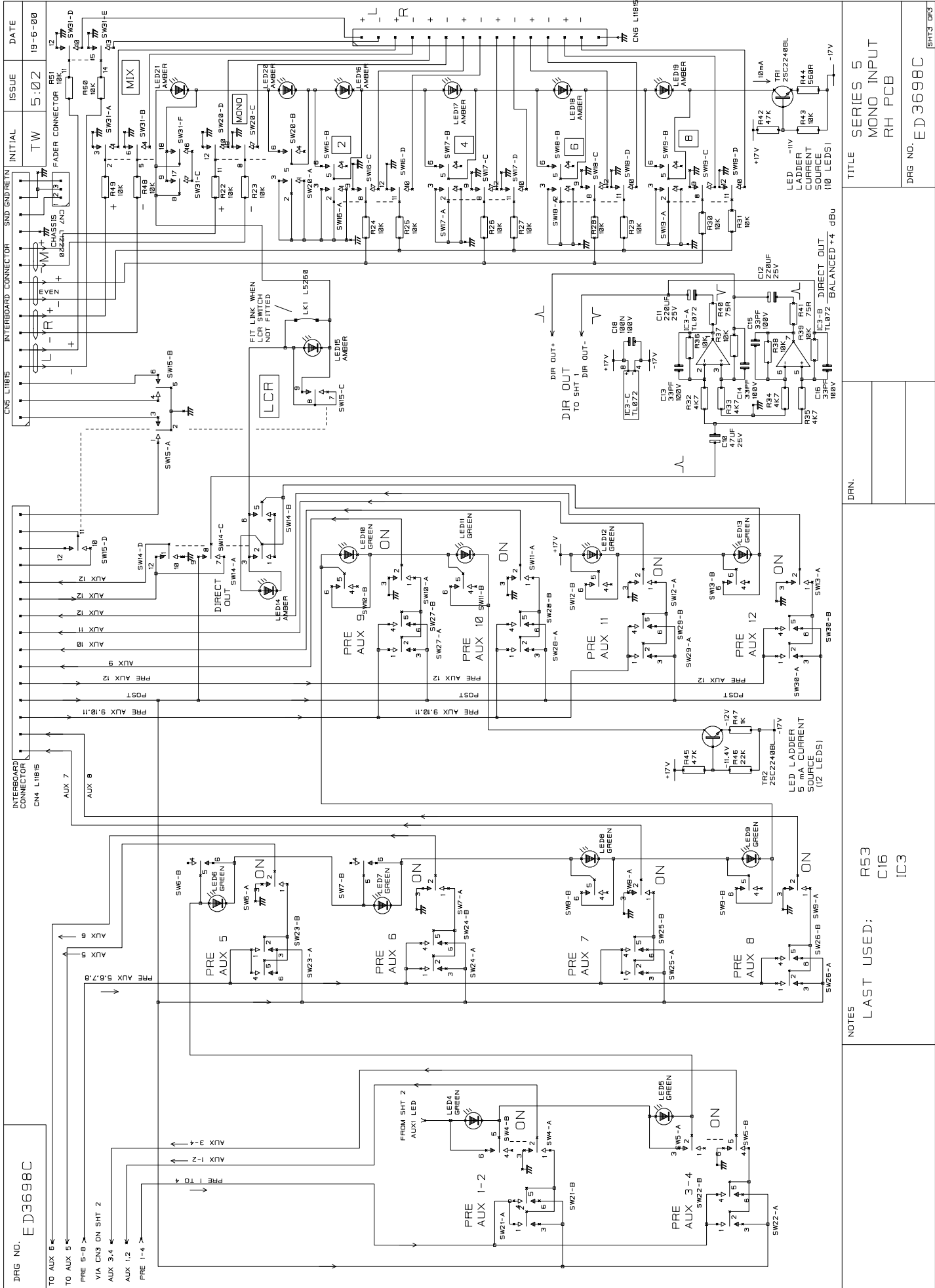
DRG NO. ED 3698B

TITLE
SERIES 5
MONO INPUT.
RH PCB

DRN.

NOTES
LAST R53
LAST C16

SH12 OF 3



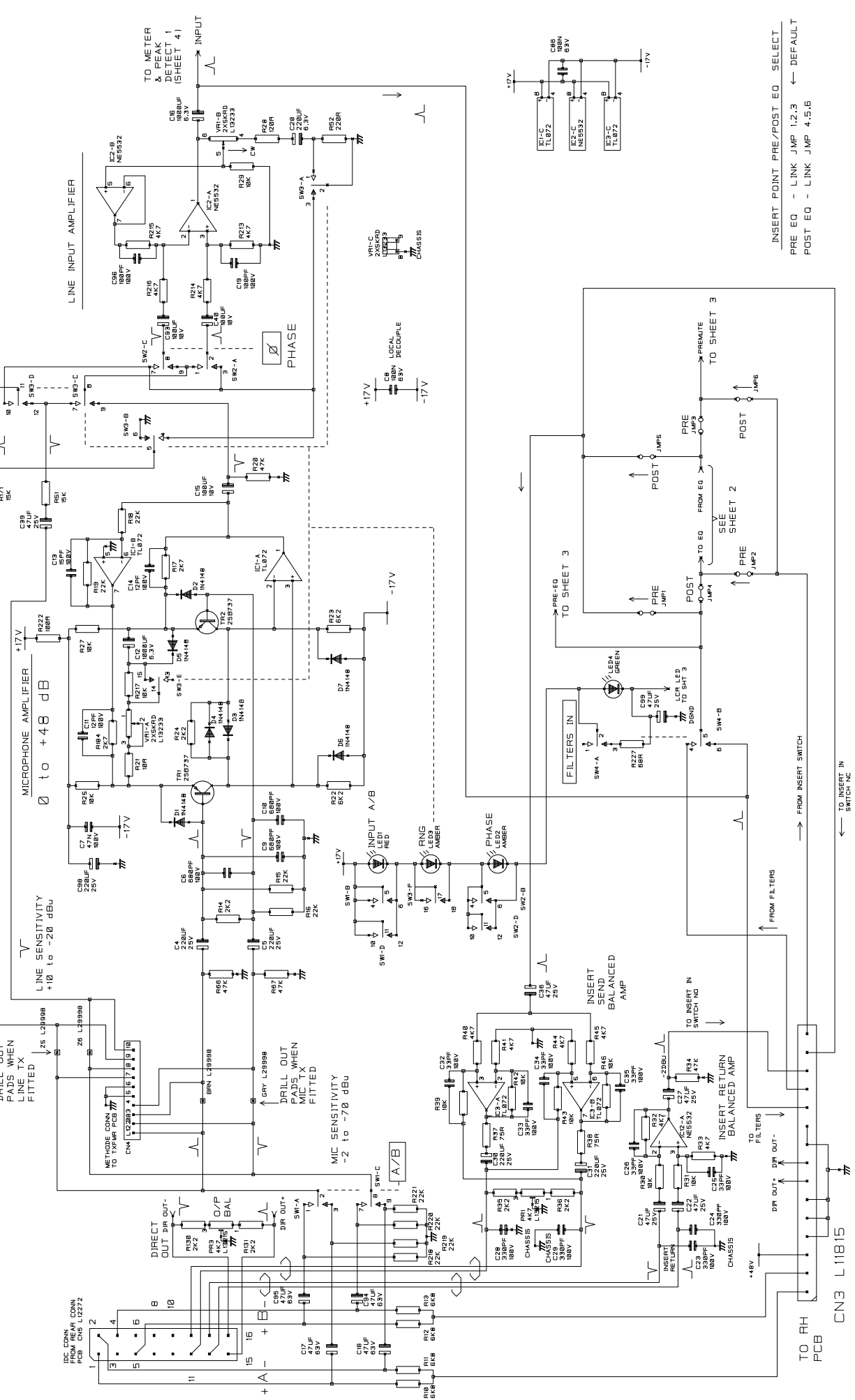
DRG NO. ED3698C

TITLE SERIES 5 MONO INPUT RH PCB

DRN.

NOTES LAST USED: R53 C16 IC3

DRG NO. ED3698C



DRG NO. ED 3699A

TITLE SERIES 5
MONO INPUT
LH PCB

DRN. DS

NOTES:
LAST USED: CN13
R227 TR16
C99 IC22
D14

INSERT POINT PRE/POST EQ SELECT
PRE EQ - LINK JMP 1.2.3 ← DEFAULT
POST EQ - LINK JMP 4.5.6

TO RH PCB

TO FILTERS

TO INSERT IN SWITCH NC

TO SHEET 3

TO SHEET 2

TO SHEET 1

TO SHEET 0

TO SHEET -1

TO SHEET -2

TO SHEET -3

TO SHEET -4

TO SHEET -5

TO SHEET -6

TO SHEET -7

TO SHEET -8

TO SHEET -9

TO SHEET -10

TO SHEET -11

TO SHEET -12

TO SHEET -13

TO SHEET -14

TO SHEET -15

TO SHEET -16

TO SHEET -17

TO SHEET -18

TO SHEET -19

TO SHEET -20

TO SHEET -21

TO SHEET -22

TO SHEET -23

TO SHEET -24

TO SHEET -25

TO SHEET -26

TO SHEET -27

TO SHEET -28

TO SHEET -29

TO SHEET -30

TO SHEET -31

TO SHEET -32

TO SHEET -33

TO SHEET -34

TO SHEET -35

TO SHEET -36

TO SHEET -37

TO SHEET -38

TO SHEET -39

TO SHEET -40

TO SHEET -41

TO SHEET -42

TO SHEET -43

TO SHEET -44

TO SHEET -45

TO SHEET -46

TO SHEET -47

TO SHEET -48

TO SHEET -49

TO SHEET -50

TO SHEET -51

TO SHEET -52

TO SHEET -53

TO SHEET -54

TO SHEET -55

TO SHEET -56

TO SHEET -57

TO SHEET -58

TO SHEET -59

TO SHEET -60

TO SHEET -61

TO SHEET -62

TO SHEET -63

TO SHEET -64

TO SHEET -65

TO SHEET -66

TO SHEET -67

TO SHEET -68

TO SHEET -69

TO SHEET -70

TO SHEET -71

TO SHEET -72

TO SHEET -73

TO SHEET -74

TO SHEET -75

TO SHEET -76

TO SHEET -77

TO SHEET -78

TO SHEET -79

TO SHEET -80

TO SHEET -81

TO SHEET -82

TO SHEET -83

TO SHEET -84

TO SHEET -85

TO SHEET -86

TO SHEET -87

TO SHEET -88

TO SHEET -89

TO SHEET -90

TO SHEET -91

TO SHEET -92

TO SHEET -93

TO SHEET -94

TO SHEET -95

TO SHEET -96

TO SHEET -97

TO SHEET -98

TO SHEET -99

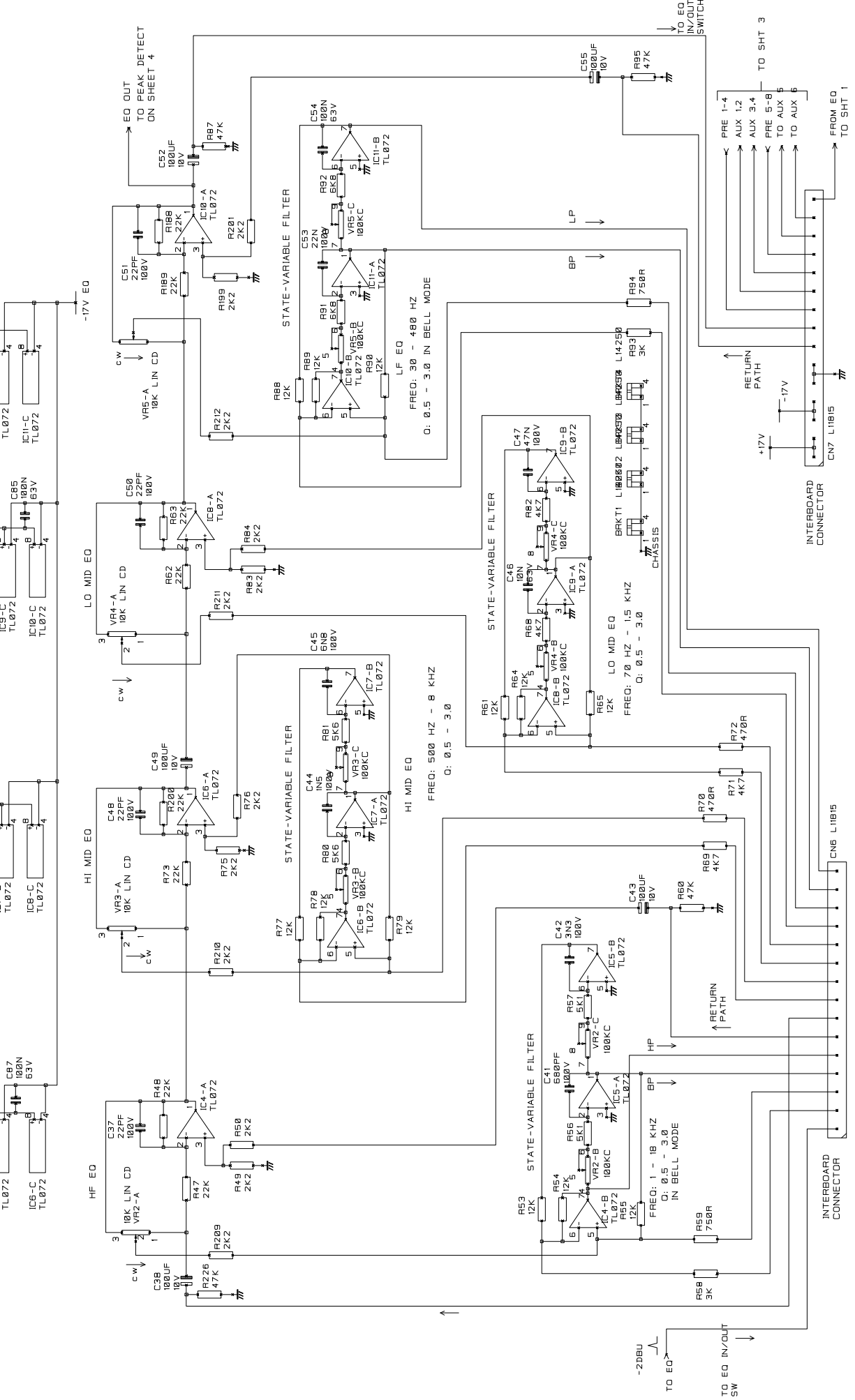
TO SHEET -100

DRG NO.	ED 3699B
---------	----------

INITIAL	TW
---------	----

ISSUE	10.103
-------	--------

DATE	19-6-00
------	---------



DRG NO.	ED 3699B
TITLE	SERIES 5 MONO INPUT LH PCB
DRN.	DS
NOTES	

TO EQ IN/OUT SW

TO EQ IN/OUT SWITCH

TO SHT 3

TO SHT 1

TO SHT 4

TO SHT 5

TO SHT 6

TO SHT 7

TO SHT 8

TO SHT 9

TO SHT 10

TO SHT 11

TO SHT 12

TO SHT 13

TO SHT 14

TO SHT 15

TO SHT 16

TO SHT 17

TO SHT 18

TO SHT 19

TO SHT 20

TO SHT 21

TO SHT 22

TO SHT 23

TO SHT 24

TO SHT 25

TO SHT 26

TO SHT 27

TO SHT 28

TO SHT 29

TO SHT 30

TO SHT 31

TO SHT 32

TO SHT 33

TO SHT 34

TO SHT 35

TO SHT 36

TO SHT 37

TO SHT 38

TO SHT 39

TO SHT 40

TO SHT 41

TO SHT 42

TO SHT 43

TO SHT 44

TO SHT 45

TO SHT 46

TO SHT 47

TO SHT 48

TO SHT 49

TO SHT 50

TO SHT 51

TO SHT 52

TO SHT 53

TO SHT 54

TO SHT 55

TO SHT 56

TO SHT 57

TO SHT 58

TO SHT 59

TO SHT 60

TO SHT 61

TO SHT 62

TO SHT 63

TO SHT 64

TO SHT 65

TO SHT 66

TO SHT 67

TO SHT 68

TO SHT 69

TO SHT 70

TO SHT 71

TO SHT 72

TO SHT 73

TO SHT 74

TO SHT 75

TO SHT 76

TO SHT 77

TO SHT 78

TO SHT 79

TO SHT 80

TO SHT 81

TO SHT 82

TO SHT 83

TO SHT 84

TO SHT 85

TO SHT 86

TO SHT 87

TO SHT 88

TO SHT 89

TO SHT 90

TO SHT 91

TO SHT 92

TO SHT 93

TO SHT 94

TO SHT 95

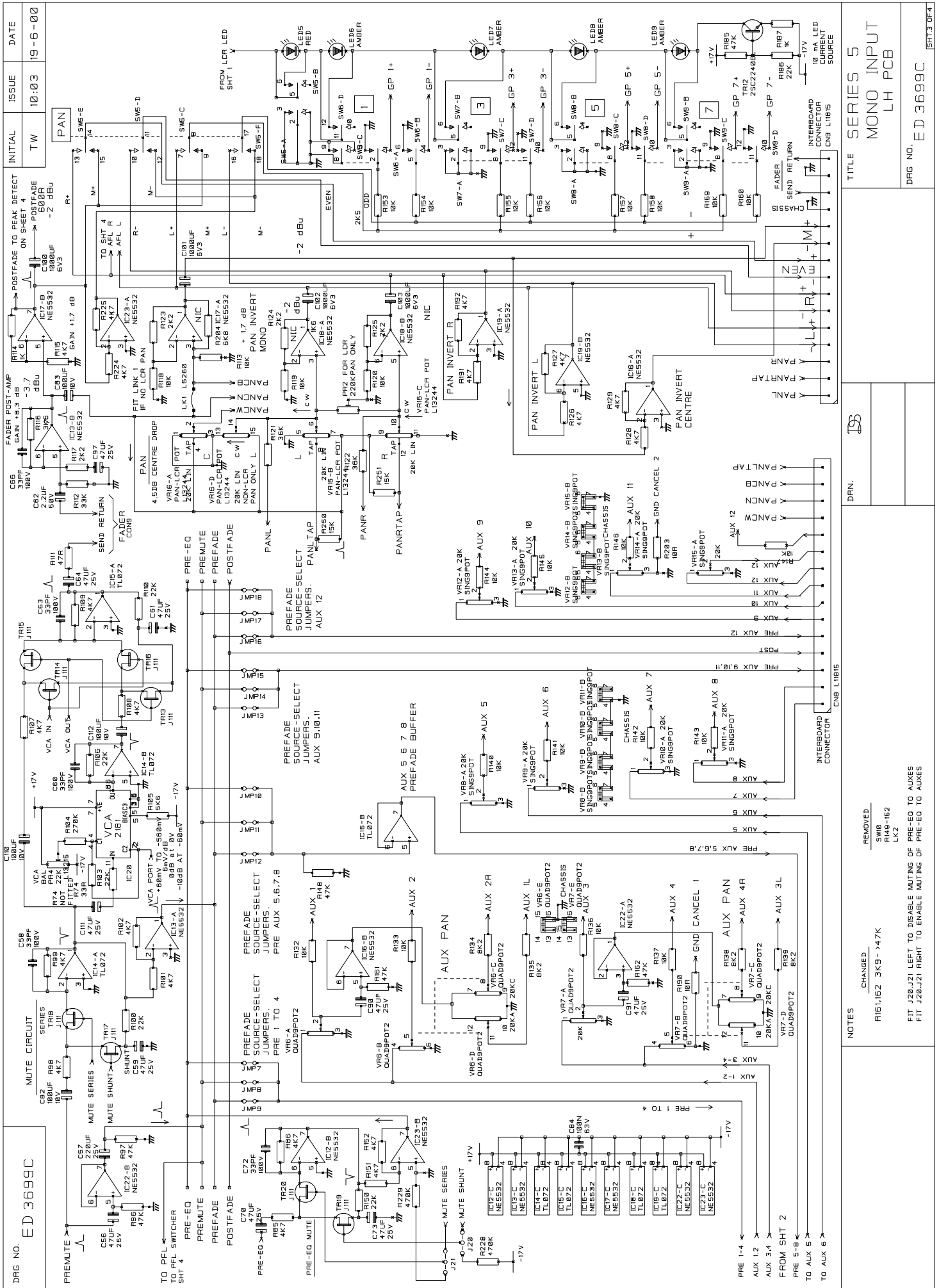
TO SHT 96

TO SHT 97

TO SHT 98

TO SHT 99

TO SHT 100

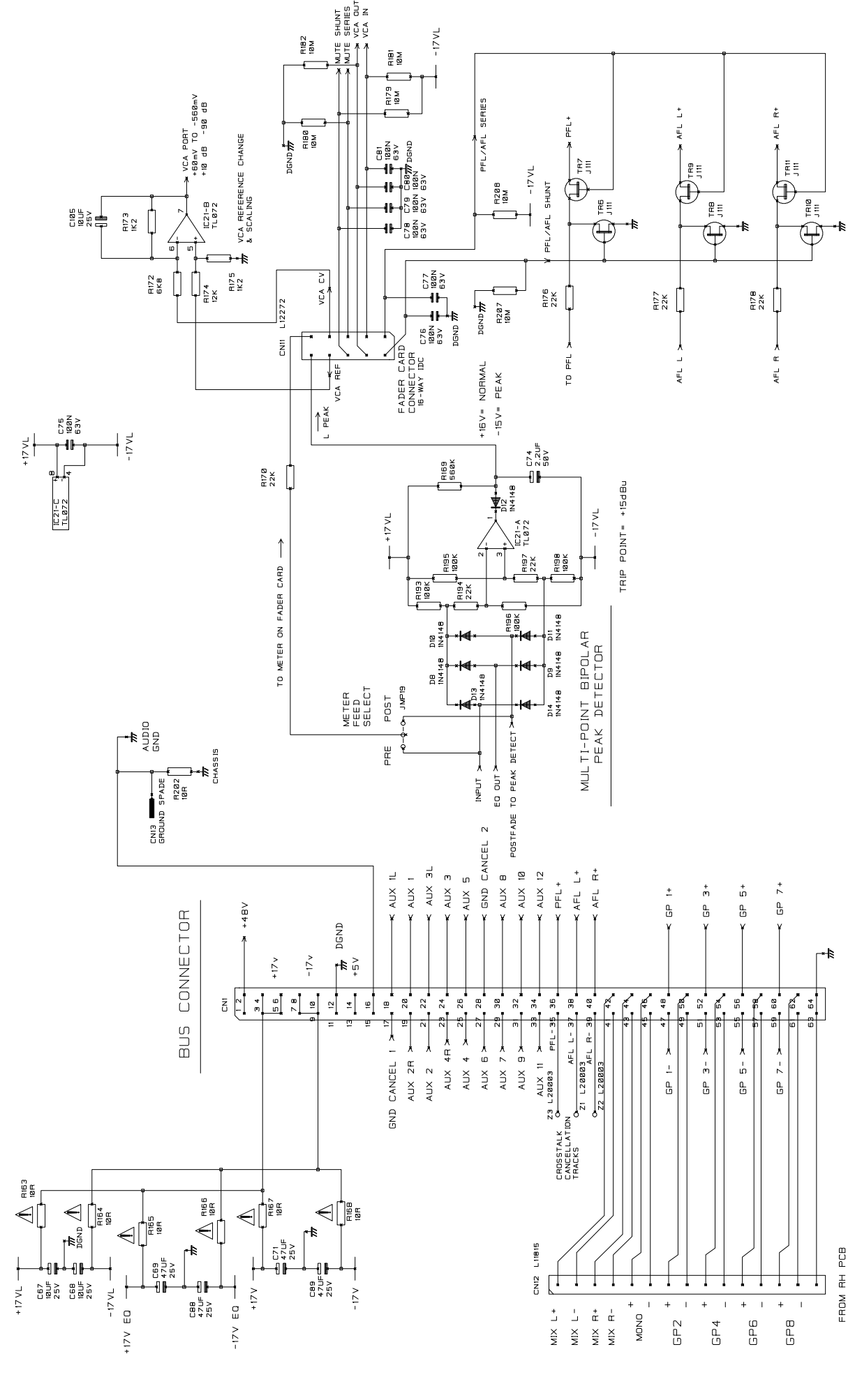


DRG NO. ED 3699C

INITIAL TW
ISSUE 10:03
DATE 19-6-00

NOTES	DRN.	TITLE
CHANGED R161,162 3K9-47K REMOVED SW8 R149-152 LK2	188	SERIES 5 MONO INPUT LH PCB
FIT J20,U21 LEFT TO DISABLE MUTING OF PRE-EO TO AUXES FIT J20,U21 RIGHT TO ENABLE MUTING OF PRE-EO TO AUXES		
		DRG NO. ED 3699C

SHT3.DP4



DRG NO. ED 3699D

TITLE SERIES 5 MONO INPUT LH PCB

DRN. 15

NOTES

DRG NO. ED 3699D