

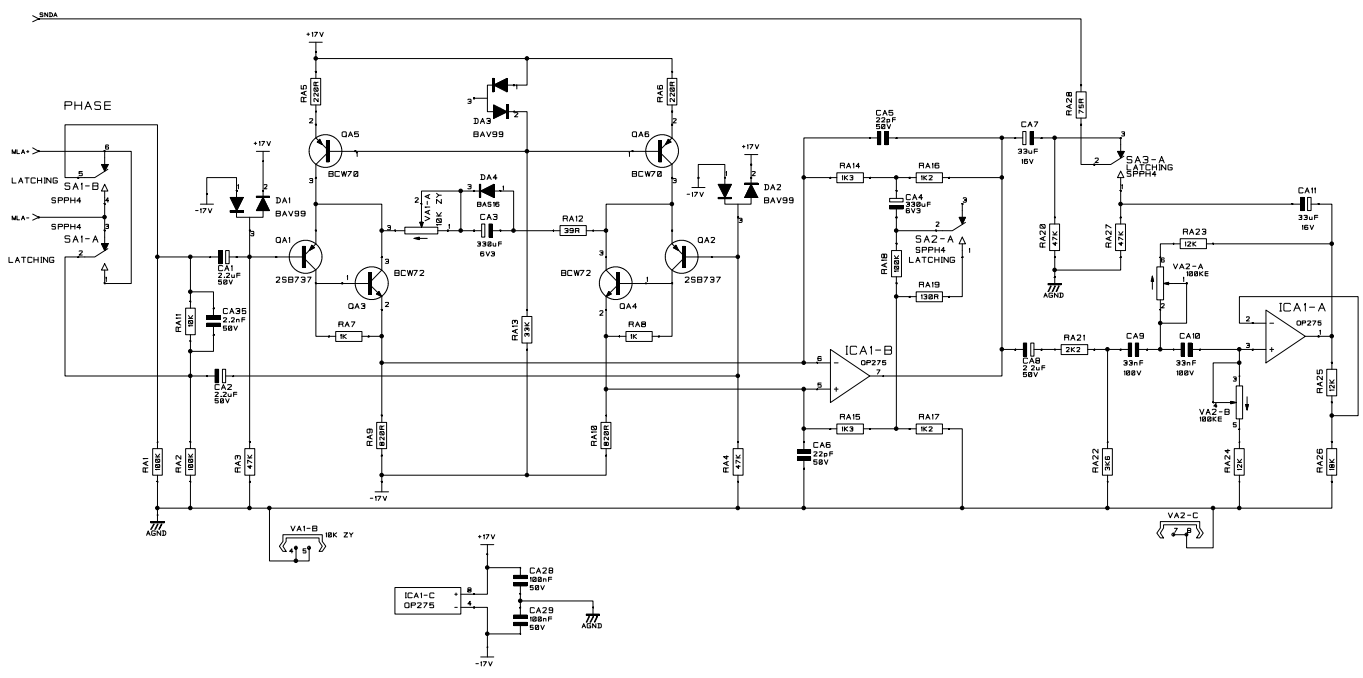
SOUNDCRAFT OWNS THE COPYRIGHT OF THIS DRAWING WHICH IS NOT TO BE COPIED, IN PART OR IN WHOLE TO A THIRD PARTY WITHOUT WRITTEN PERMISSION.

NOTES  
 (1) ONLY CHANNELS A AND B (1 AND 2) ARE SHOWN.  
 (2) CHANNELS C TO H (3 TO 8) ARE SAME AND TO BE REPEATED.  
 (3) TOTAL CHANNELS ARE A TO H (8) ON PCB

DRN. GHB  
 DATE

SOUNDCRAFT  
 HARMAN INT. INDUSTRIES LTD.  
 CRANBORNE HOUSE,  
 CRANBORNE ROAD,  
 POTTERS BAR,  
 HERTS. ENG. 3 JN.  
 TEL: 01707 665000  
 FAX: 01707 660482

TITLE SERIES TWO MIC AMP  
 DRG NO. ED4019



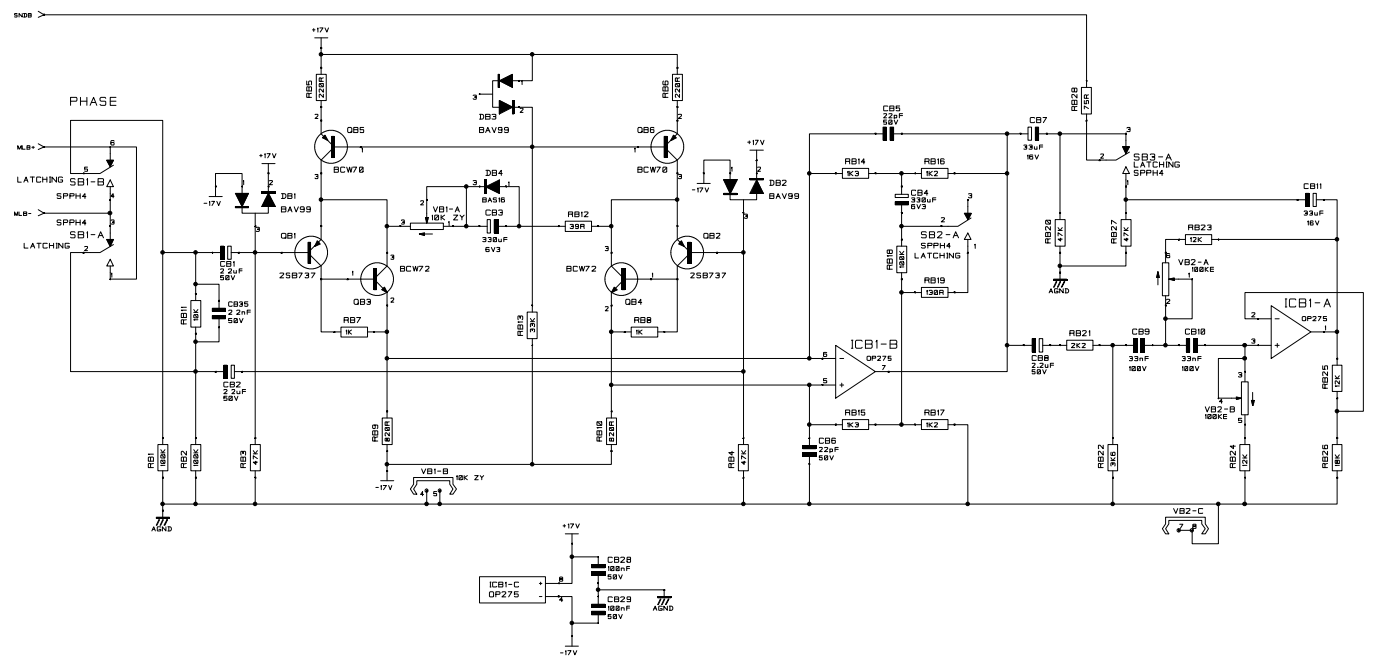
SOUNDCRAFT OWNS THE COPYRIGHT OF THIS DRAWING WHICH IS NOT TO BE COPIED, IN PART OR IN WHOLE TO A THIRD PARTY WITHOUT WRITTEN PERMISSION.

- NOTES
- (1) ONLY CHANNELS A AND B (1 AND 2) ARE SHOWN.
  - (2) CHANNELS C TO H (3 TO 8) ARE SAME AND TO BE REPEATED.
  - (3) TOTAL CHANNELS ARE A TO H (8) ON PCB

DRN. GHB  
DATE

SOUNDCRAFT  
HARMAN INT. INDUSTRIES LTD.  
CRANBORNE HOUSE,  
CRANBORNE ROAD,  
POTTERS BAR,  
HERTS. ENG. 3 JN.  
TEL: 01707 665000  
FAX: 01707 660482

TITLE SERIES TWO MIC AMP  
DRG NO. ED4019

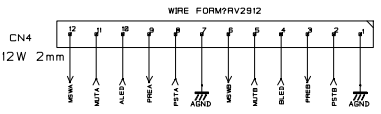
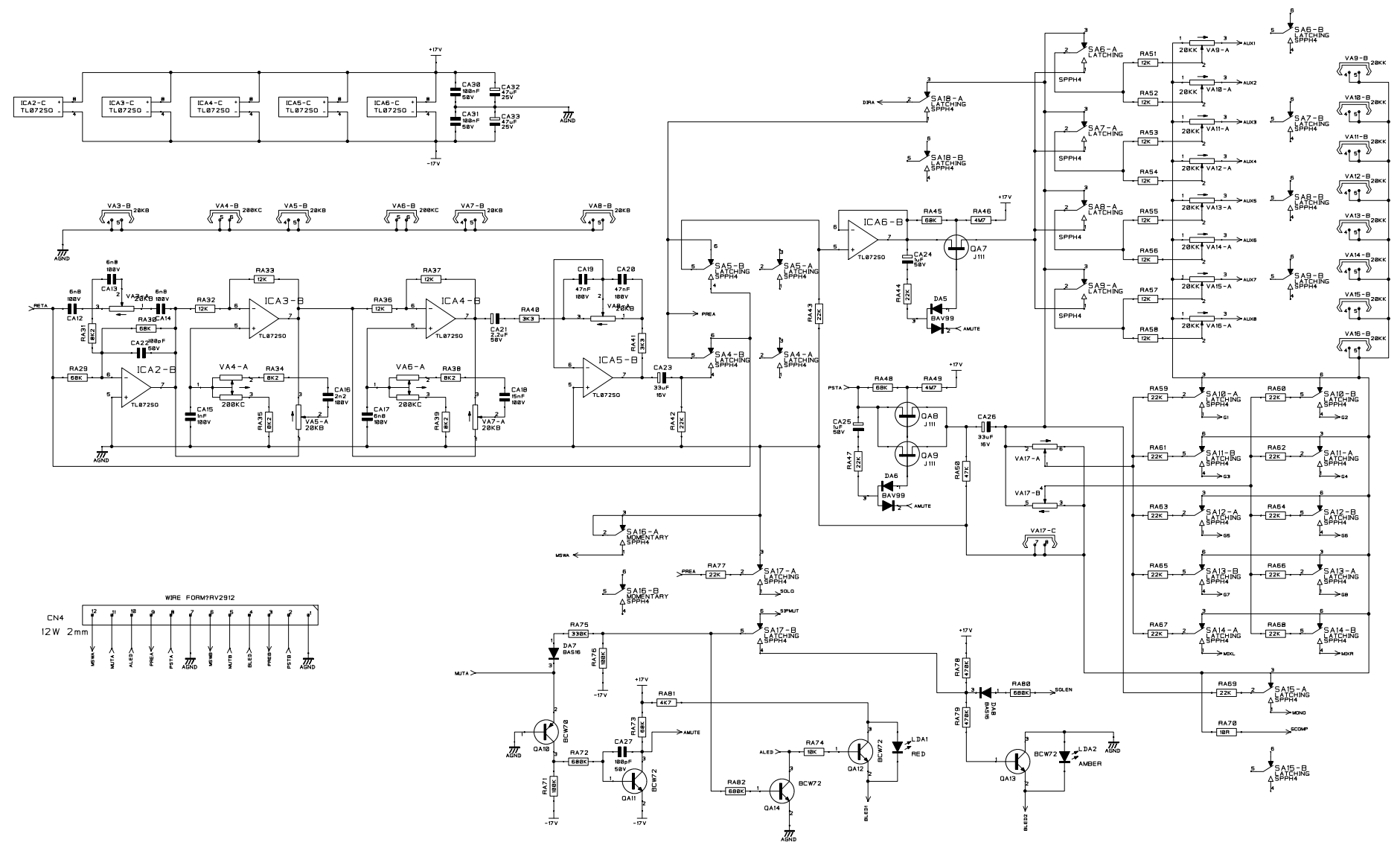


- NOTES
- (1) ONLY CHANNELS A AND B (1 AND 2) ARE SHOWN.
  - (2) CHANNELS C TO H (3 TO 8) ARE SAME AND TO BE REPEATED.
  - (3) TOTAL CHANNELS ARE A TO H (8) ON PCB

SOUNDCRAFT OWNS THE COPYRIGHT OF THIS DRAWING WHICH IS NOT TO BE COPIED, IN PART OR IN WHOLE TO A THIRD PARTY WITHOUT WRITTEN PERMISSION.

DRN.	GHB
DATE	
	SOUNDCRAFT HARMAN INT. INDUSTRIES LTD. CRANBORNE HOUSE, CRANBORNE ROAD, POTTERS BAR, HERTS. ENG. 3 J.N. TEL: 01707 665000 FAX: 01707 660482

TITLE	SERIES TWO MIC AMP
DRG NO.	ED4019



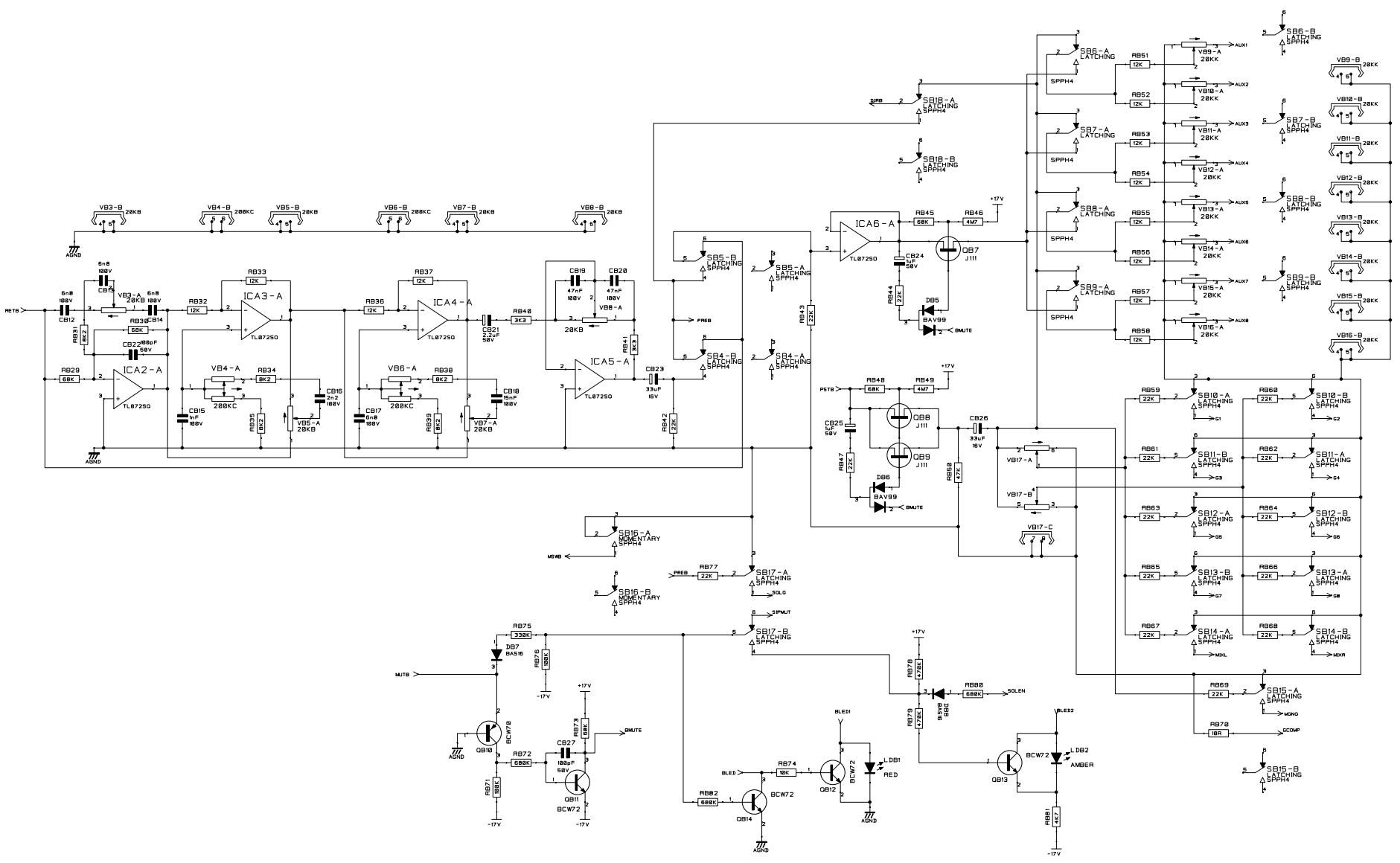
- NOTES
- (1) ONLY CHANNELS A AND B (1 AND 2) ARE SHOWN.
  - (2) CHANNELS C TO H (3 TO 8) ARE SAME AND TO BE REPEATED.
  - (3) TOTAL CHANNELS ARE A TO H (8) ON PCB

SOUNDCRAFT OWNS THE COPYRIGHT OF THIS DRAWING WHICH IS NOT TO BE COPIED, IN PART OR IN WHOLE TO A THIRD PARTY WITHOUT WRITTEN PERMISSION.

DRN. GHB  
DATE

SOUNDCRAFT  
HARMAN INT. INDUSTRIES LTD.  
CRANBORNE HOUSE,  
POTTERS BAR,  
HERTS. ENG. 3 JN.  
TEL: 01707 655000  
FAX: 01707 650482

TITLE  
SERIES TWO  
MIC AMP  
DRG NO. ED4019



- NOTES
- (1) ONLY CHANNELS A AND B (1 AND 2) ARE SHOWN.
  - (2) CHANNELS C TO H (3 TO 8) ARE SAME AND TO BE REPEATED.
  - (3) TOTAL CHANNELS ARE A TO H (8) ON PCB

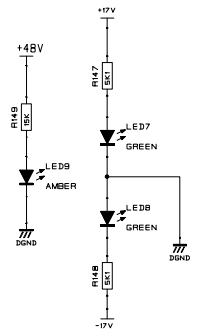
SOUNDCRAFT OWNS THE COPYRIGHT OF THIS DRAWING WHICH IS NOT TO BE COPIED, IN PART OR IN WHOLE TO A THIRD PARTY WITHOUT WRITTEN PERMISSION.

DRN. GHB  
DATE

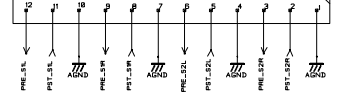
SOUNDCRAFT  
HARMAN INT. INDUSTRIES LTD.  
CRANBORNE HOUSE,  
CRANBORNE ROAD,  
POTTERS BAR,  
HERTS. ENG 3 JN.  
TEL: 01707 665000  
FAX: 01707 660482

TITLE  
SERIES TWO  
MIC AMP  
DRG NO. ED4019

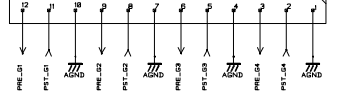
SHEET 1



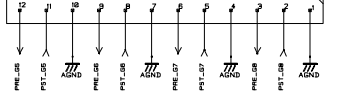
STEREO 1 & 2  
MALE DF3A-12P-2DSA



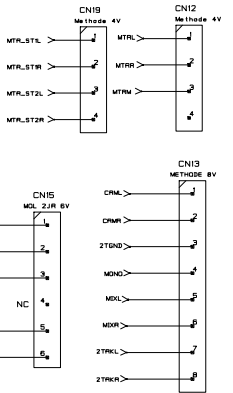
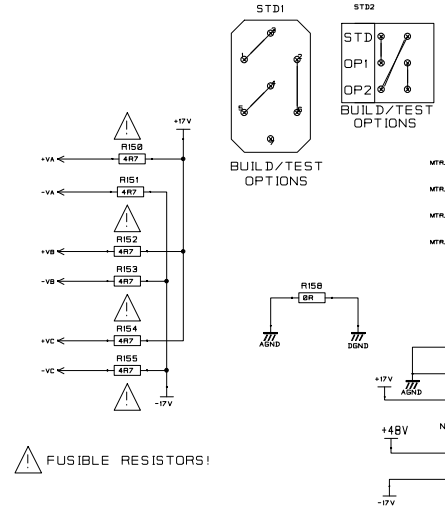
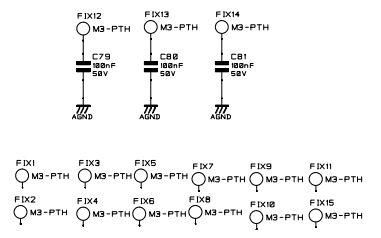
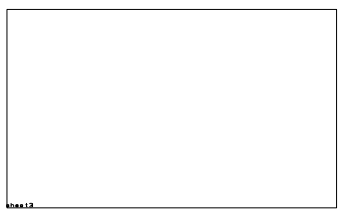
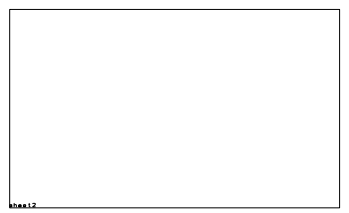
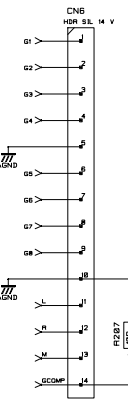
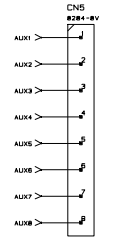
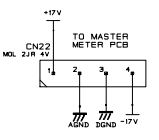
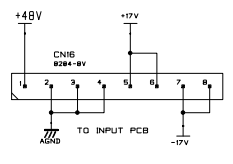
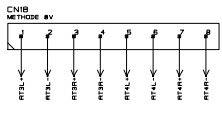
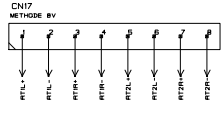
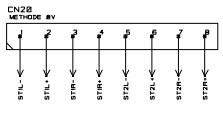
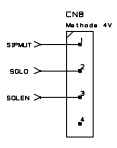
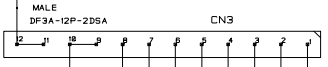
GROUPS 1-4  
MALE DF3A-12P-2DSA



GROUPS 5-8  
MALE DF3A-12P-2DSA



LR MIX & MONO



SOUNDCRAFT OWNS THE COPYRIGHT OF THIS DRAWING WHICH IS NOT TO BE COPIED, IN PART OR IN WHOLE TO A THIRD PARTY WITHOUT WRITTEN PERMISSION.

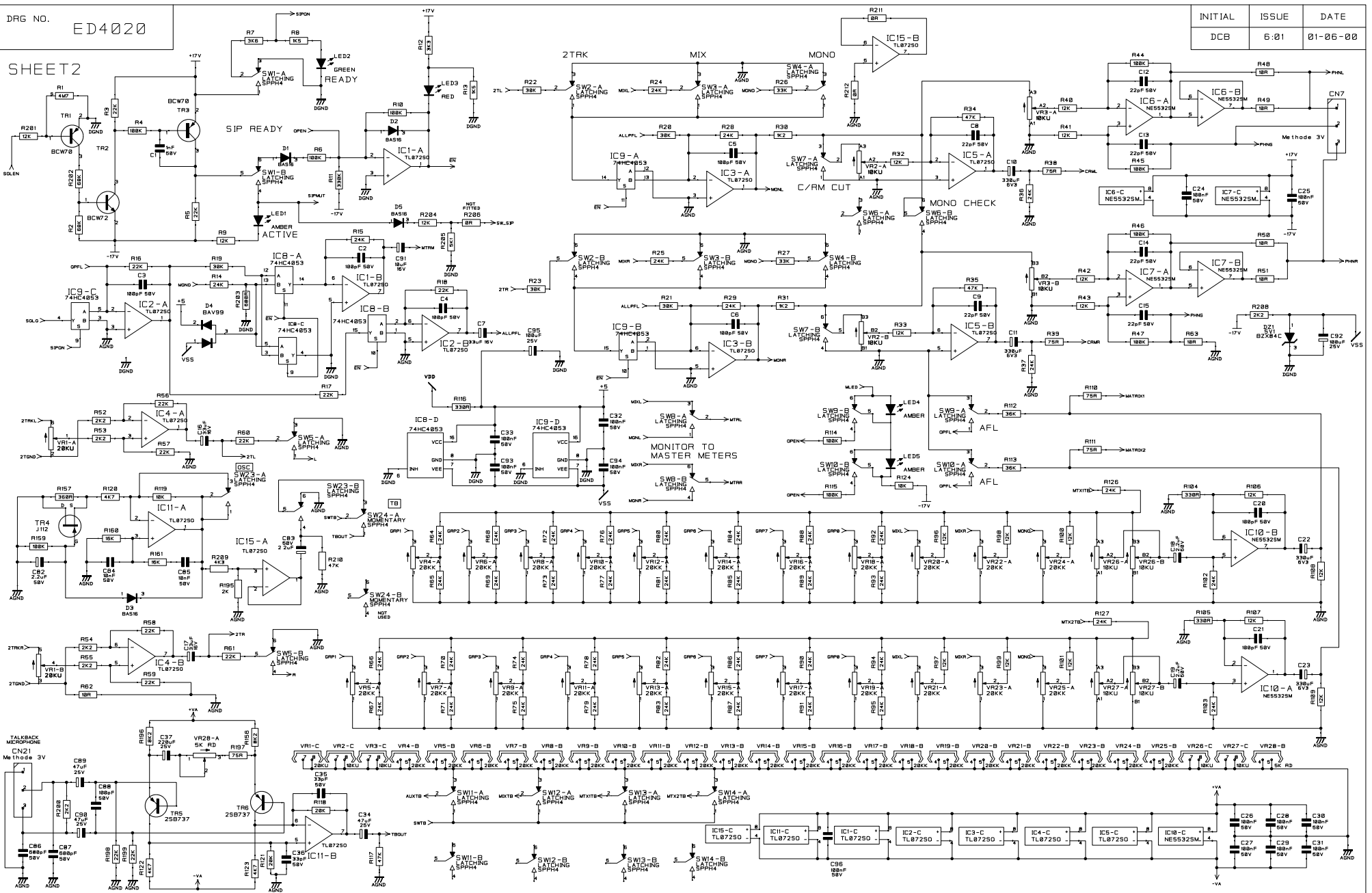
NOTES

DRN. GHB  
DATE

SOUNDCRAFT  
HARMAN INT. INDUSTRIES LTD.  
CRANBORNE HOUSE,  
POTTERS BAR,  
HERTS. ENG. 3 JN.  
TEL: 01707 665000  
FAX: 01707 660482

TITLE  
SERIES TWO  
MASTER  
DRG NO. ED4020

INITIAL	ISSUE	DATE
DCB	6:01	01-06-00



SOUNDCRAFT OWNS THE COPYRIGHT OF THIS DRAWING WHICH IS NOT TO BE COPIED, IN PART OR IN WHOLE TO A THIRD PARTY WITHOUT WRITTEN PERMISSION.

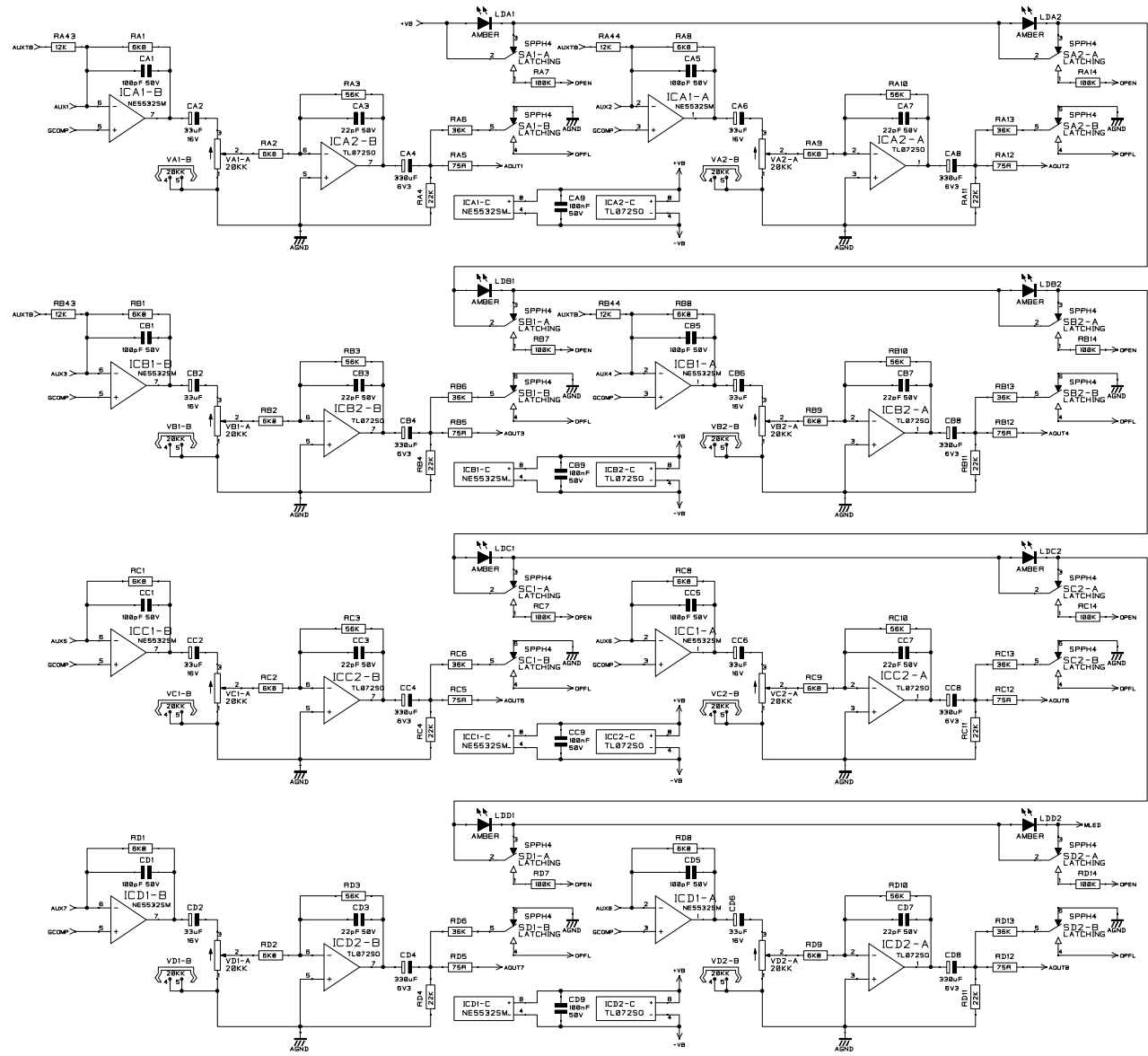
NOTES

DRN. GHB  
DATE

SOUNDCRAFT  
HARMAN INT. INDUSTRIES LTD.  
CRANBORNE HOUSE,  
CRANBORNE ROAD,  
POTTERS BAR,  
HERTS. EN9 3JN.  
TEL: 01707 665000  
FAX: 01707 660482

TITLE  
**SERIES TWO  
MASTER**  
DRG NO. ED4020

SHEET 3



SOUNDCRAFT OWNS THE COPYRIGHT OF THIS DRAWING WHICH IS NOT TO BE COPIED, IN PART OR IN WHOLE TO A THIRD PARTY WITHOUT WRITTEN PERMISSION.

NOTES

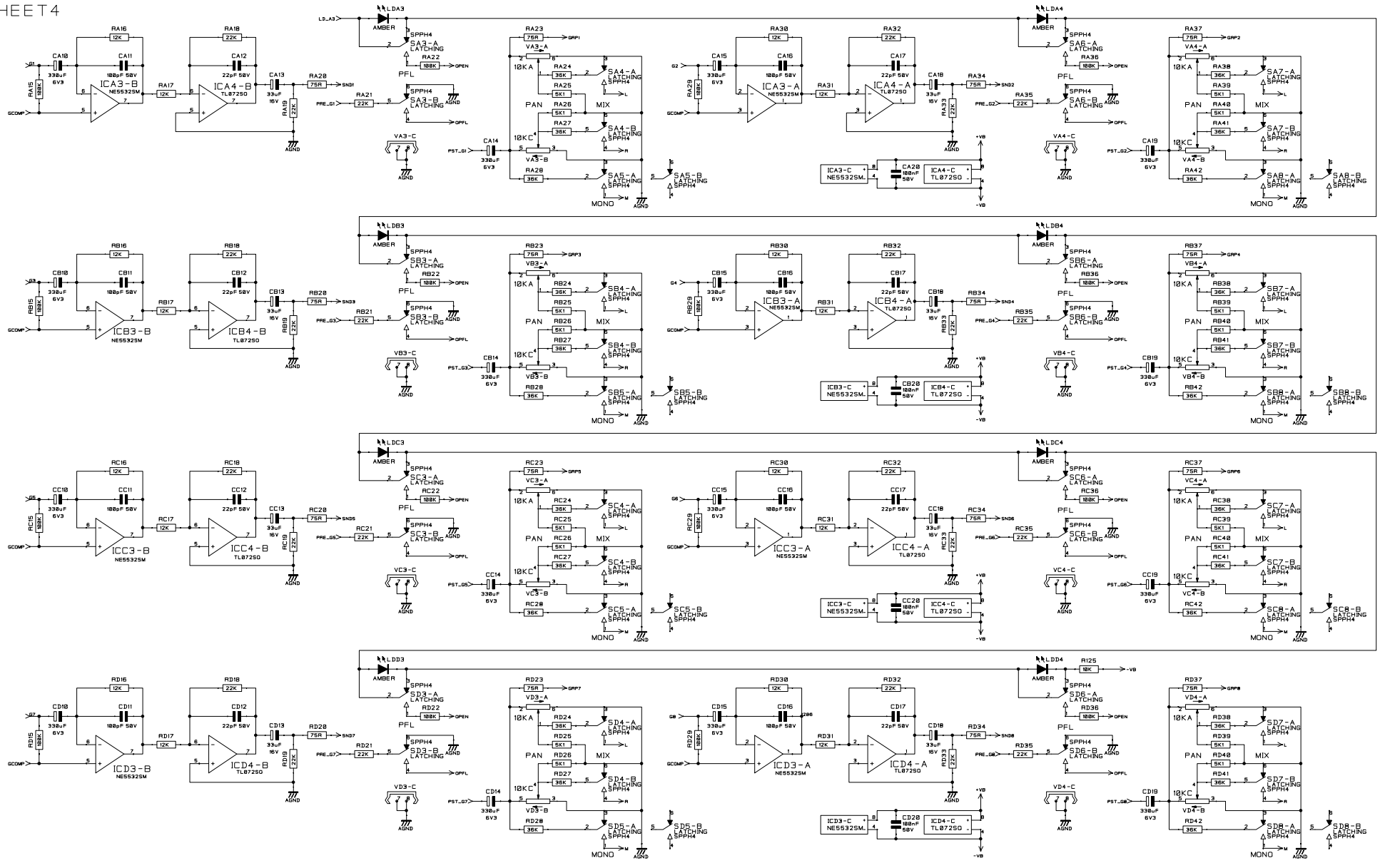
DRN. GHB  
DATE

SOUNDCRAFT  
HARMAN INT. INDUSTRIES LTD.  
CRANBORNE HOUSE,  
CRANBORNE ROAD,  
POTTERS BAR,  
HERTS. ENG. 3 JN.  
TEL: 01707 665000  
FAX: 01707 660482

TITLE  
SERIES TWO  
MASTER  
DRG NO. ED4020



SHEET 4



SOUNDCRAFT OWNS THE COPYRIGHT OF THIS DRAWING WHICH IS NOT TO BE COPIED, IN PART OR IN WHOLE, TO A THIRD PARTY WITHOUT WRITTEN PERMISSION.

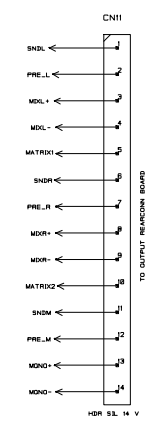
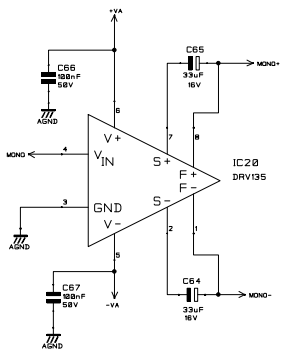
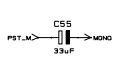
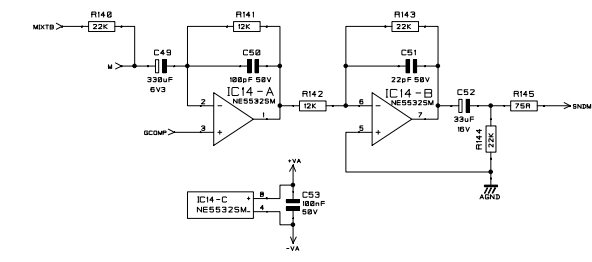
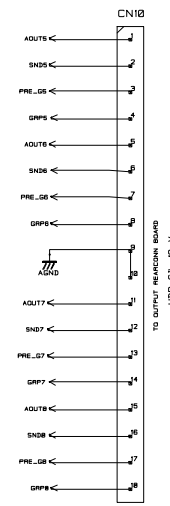
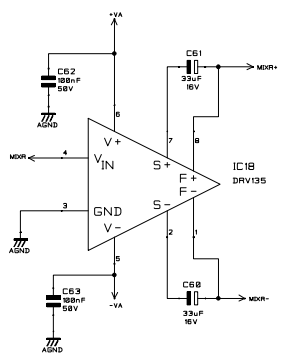
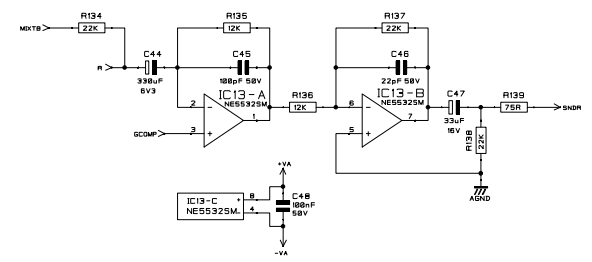
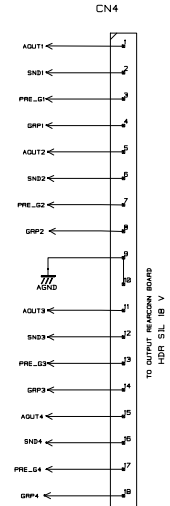
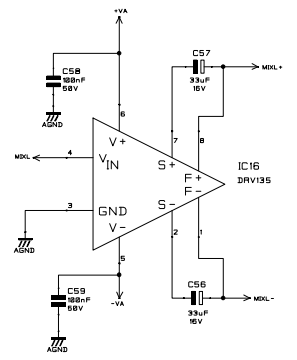
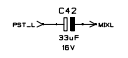
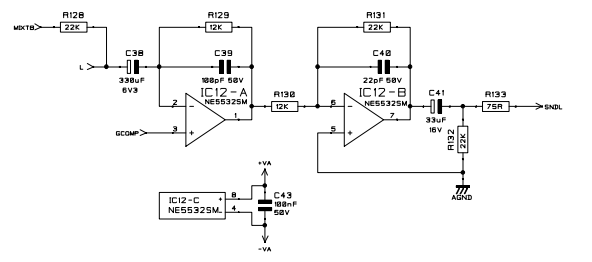
NOTES

DRN. GHB  
DATE

SOUNDCRAFT  
HARMAN INT. INDUSTRIES LTD.  
CRANBORNE HOUSE,  
CRANBORNE ROAD,  
POTTERS BAR,  
HERTS. ENG 31N.  
TEL: 01707 665000  
FAX: 01707 660482

TITLE  
SERIES TWO  
MASTER  
DRG NO. ED4020

SHEET 5



SOUNDCRAFT OWNS THE COPYRIGHT OF THIS DRAWING WHICH IS NOT TO BE COPIED, IN PART OR IN WHOLE, TO A THIRD PARTY WITHOUT WRITTEN PERMISSION.

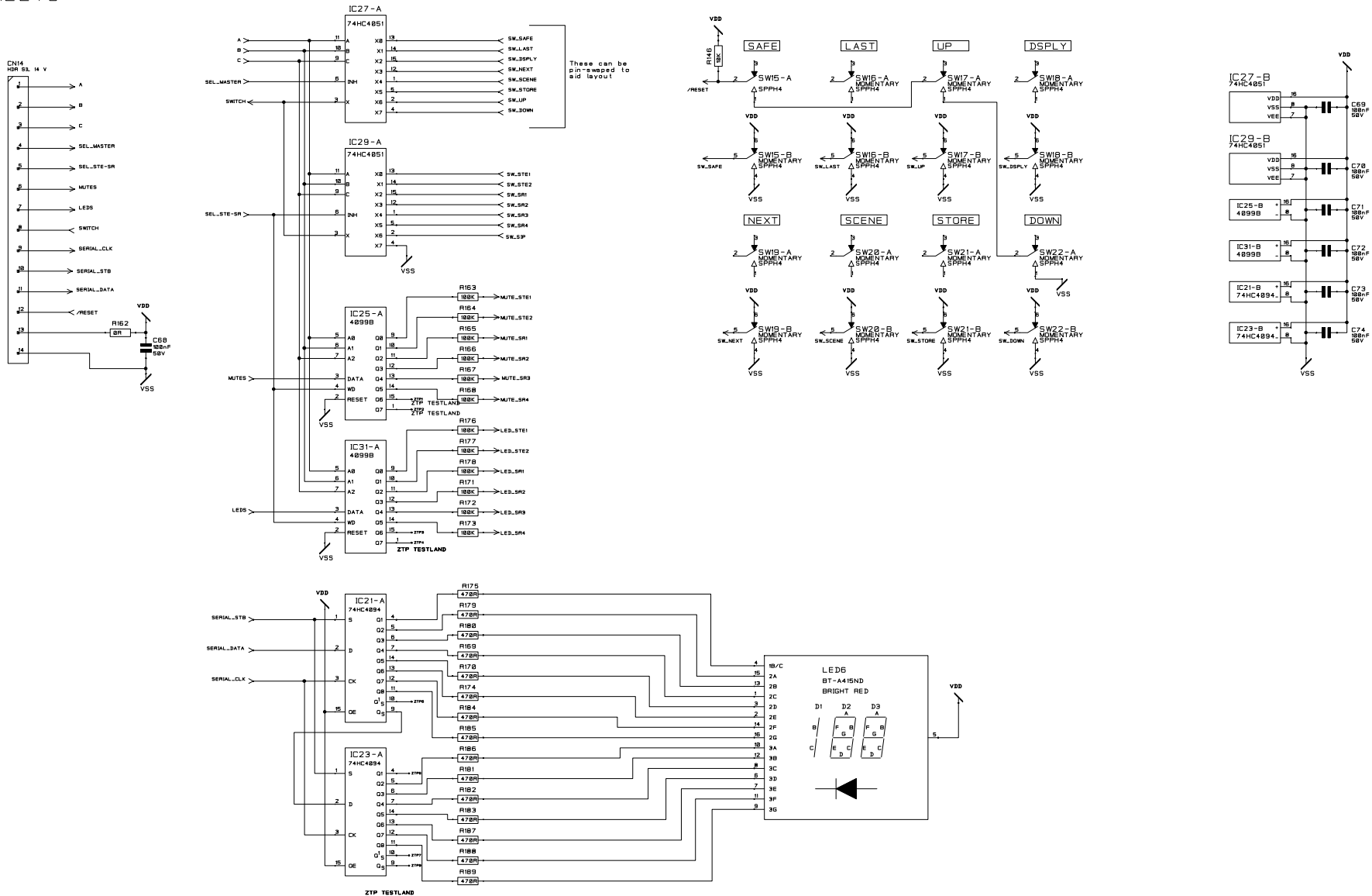
NOTES

DRN. GHB  
DATE

SOUNDCRAFT  
HARMAN INT. INDUSTRIES LTD.  
CRANBORNE HOUSE,  
POTTERS BAR,  
HERTS. ENG. 3 JN.  
TEL: 01707 665000  
FAX: 01707 660482

TITLE  
SERIES TWO  
MASTER  
DRG NO. ED4020

SHEET 6



These can be pin-swapped to aid layout

SOUNDCRAFT OWNS THE COPYRIGHT OF THIS DRAWING WHICH IS NOT TO BE COPIED, IN PART OR IN WHOLE TO A THIRD PARTY WITHOUT WRITTEN PERMISSION.

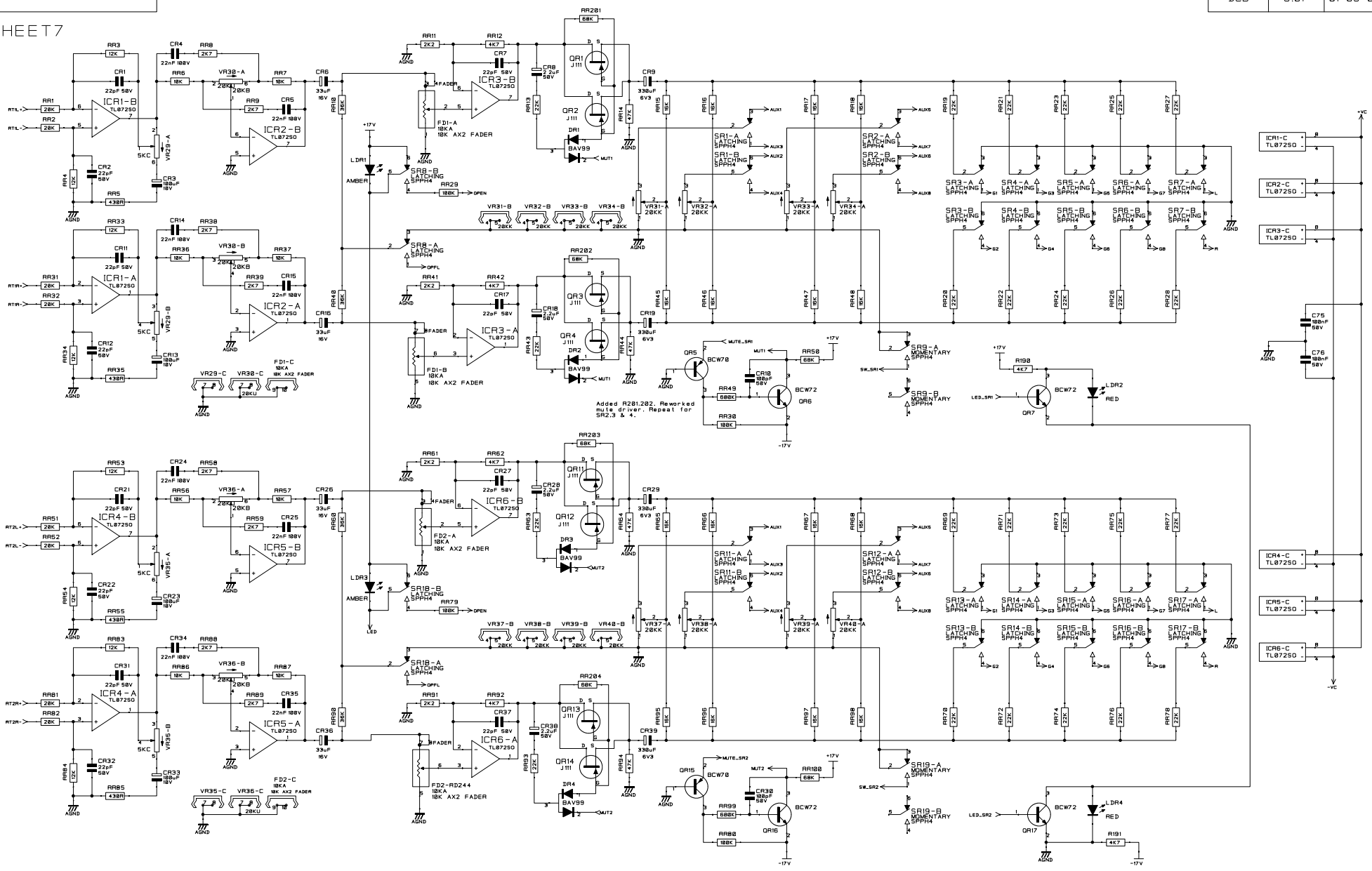
NOTES

DRN. GHB  
DATE

SOUNDCRAFT  
HARMAN INT. INDUSTRIES LTD.  
CRANBORNE HOUSE,  
CRANBORNE ROAD,  
POTTERS BAR,  
HERTS. ENG. 3 JN.  
TEL: 01707 665000  
FAX: 01707 660482

TITLE  
SERIES TWO  
MASTER  
DRG NO. ED4020

SHEET 7



SOUNDCRAFT OWNS THE COPYRIGHT OF THIS DRAWING WHICH IS NOT TO BE COPIED, IN PART OR IN WHOLE TO A THIRD PARTY WITHOUT WRITTEN PERMISSION.

NOTES

DRN. GHB  
DATE

SOUNDCRAFT  
HARMAN INT. INDUSTRIES LTD.  
CRANBORNE HOUSE,  
CRANBORNE ROAD,  
POTTERS BAR,  
HERTS. ENG 3 JN.  
TEL: 01707 665000  
FAX: 01707 660482

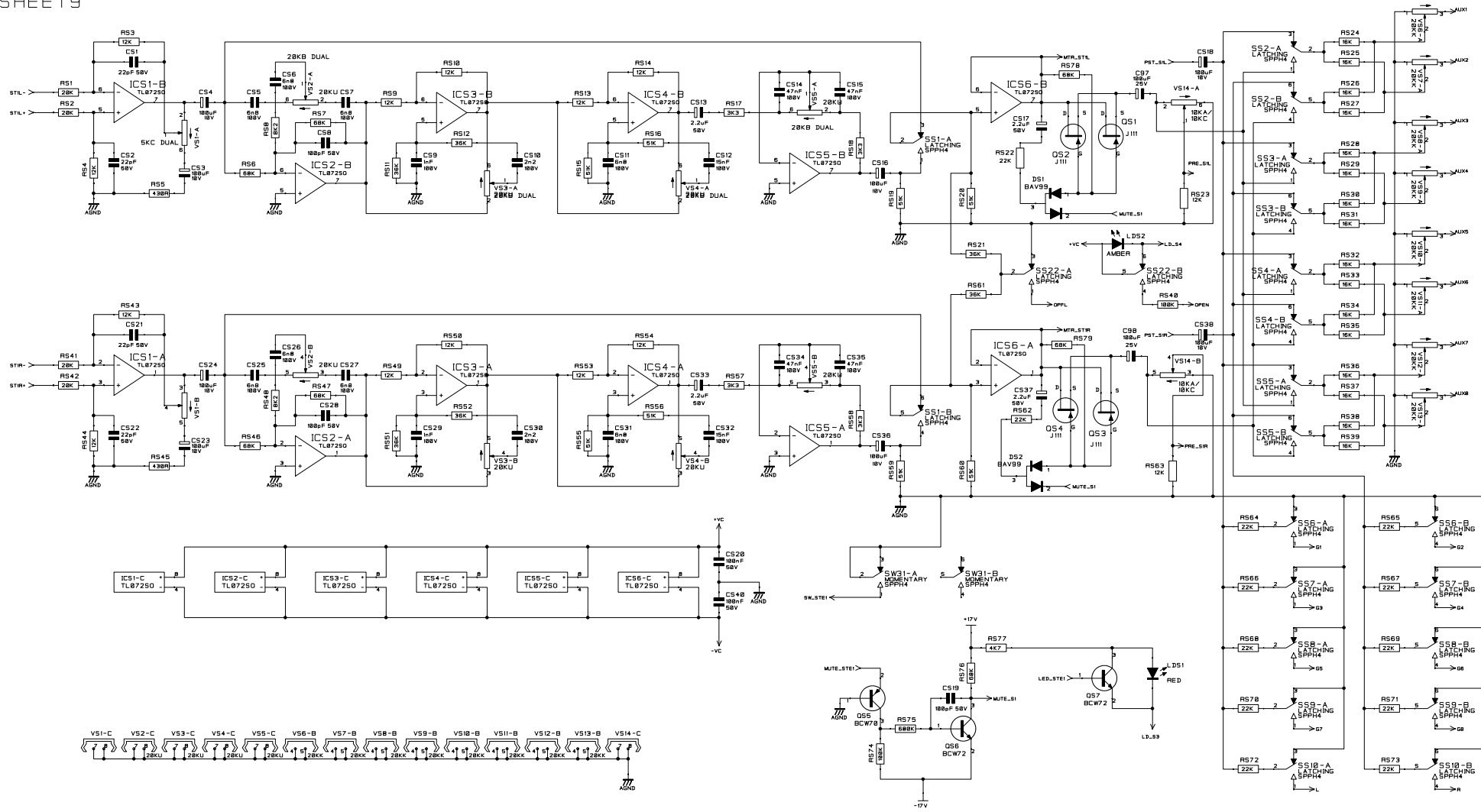
TITLE

SERIES TWO  
MASTER

DRG NO. ED4020



SHEET 9



NOTES

SOUNDCRAFT OWNS THE COPYRIGHT OF THIS DRAWING WHICH IS NOT TO BE COPIED, IN PART OR IN WHOLE, TO A THIRD PARTY WITHOUT WRITTEN PERMISSION.

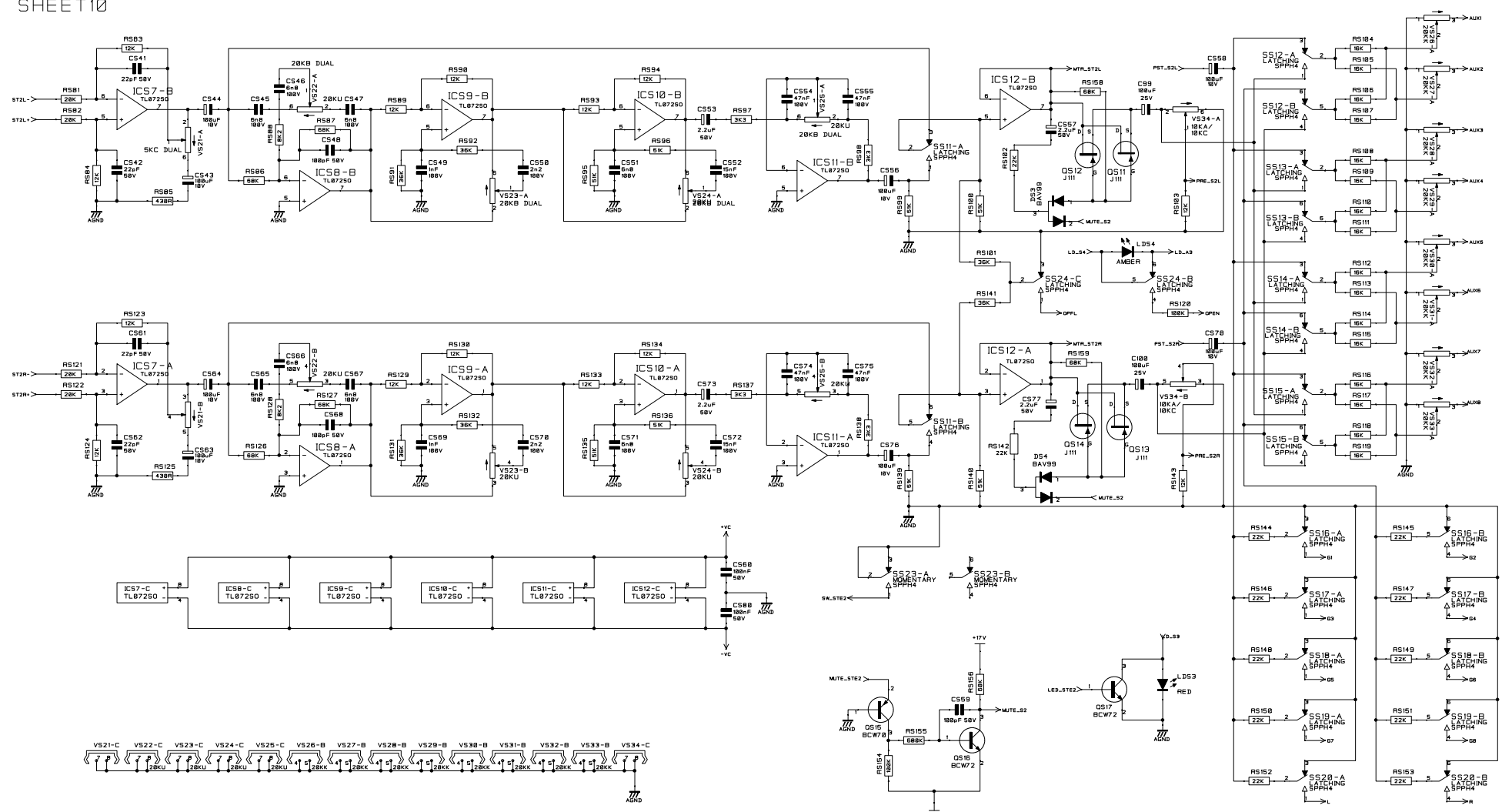
DRN. GHB  
DATE

SOUNDCRAFT  
HARMAN INT. INDUSTRIES LTD.  
CRANBORNE HOUSE,  
POTTERS BAR,  
HERTS. ENG 3 JN.  
TEL: 01707 665000  
FAX: 01707 660482

TITLE  
SERIES TWO  
MASTER

DRG NO. ED4020

SHEET 10



NOTES

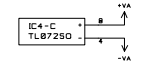
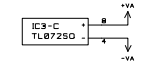
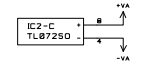
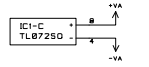
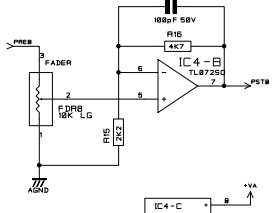
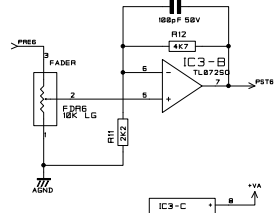
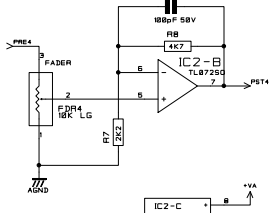
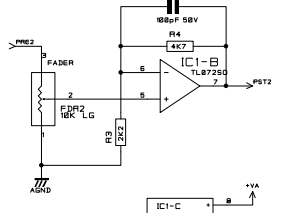
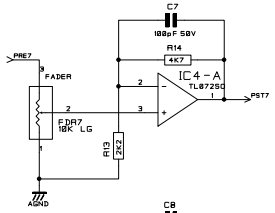
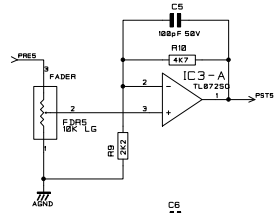
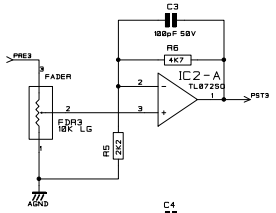
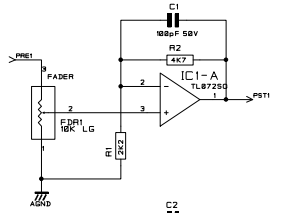
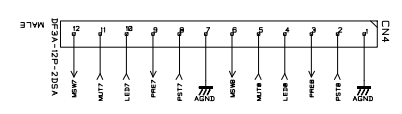
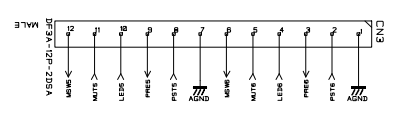
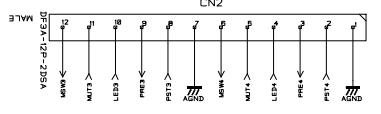
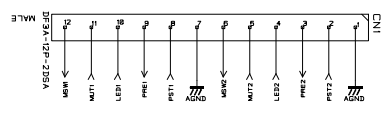
SOUNDCRAFT OWNS THE COPYRIGHT OF THIS DRAWING WHICH IS NOT TO BE COPIED, IN PART OR IN WHOLE, TO A THIRD PARTY WITHOUT WRITTEN PERMISSION.

DRN. GHB  
DATE

SOUNDCRAFT  
HARMAN INT. INDUSTRIES LTD.  
CRANBORNE HOUSE,  
CRANBORNE ROAD,  
POTTERS BAR,  
HERTS. ENG. 3 JN.  
TEL: 01707 665000  
FAX: 01707 660482

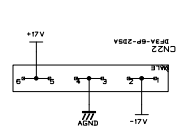
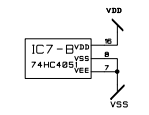
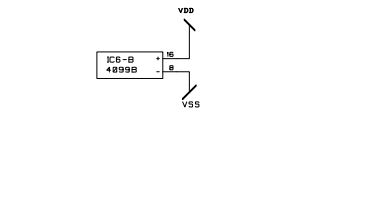
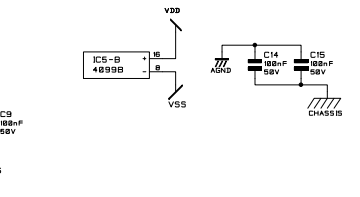
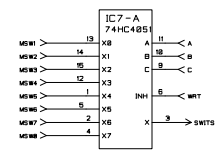
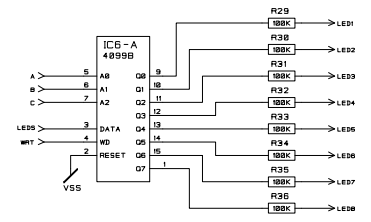
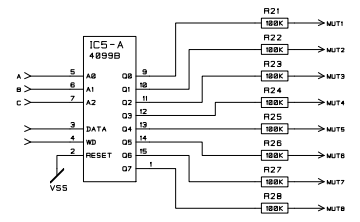
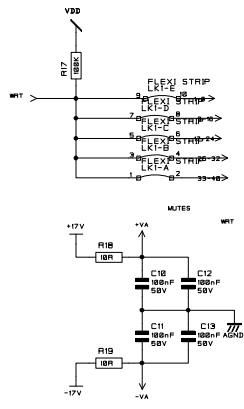
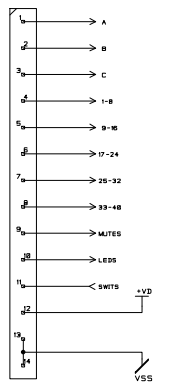
TITLE  
SERIES TWO  
MASTER

DRG NO. ED4020



CN5 HDR SIL 14 V  
PUT CN5 ON BACK OF PCB.

USE OPEN 10W HDR OR 2 ROWS OF 5 PIN SIL TO MAKE INTO JUMPERS.



SOUNDCRAFT OWNS THE COPYRIGHT OF THIS DRAWING WHICH IS NOT TO BE COPIED, IN PART OR IN WHOLE TO A THIRD PARTY WITHOUT WRITTEN PERMISSION.

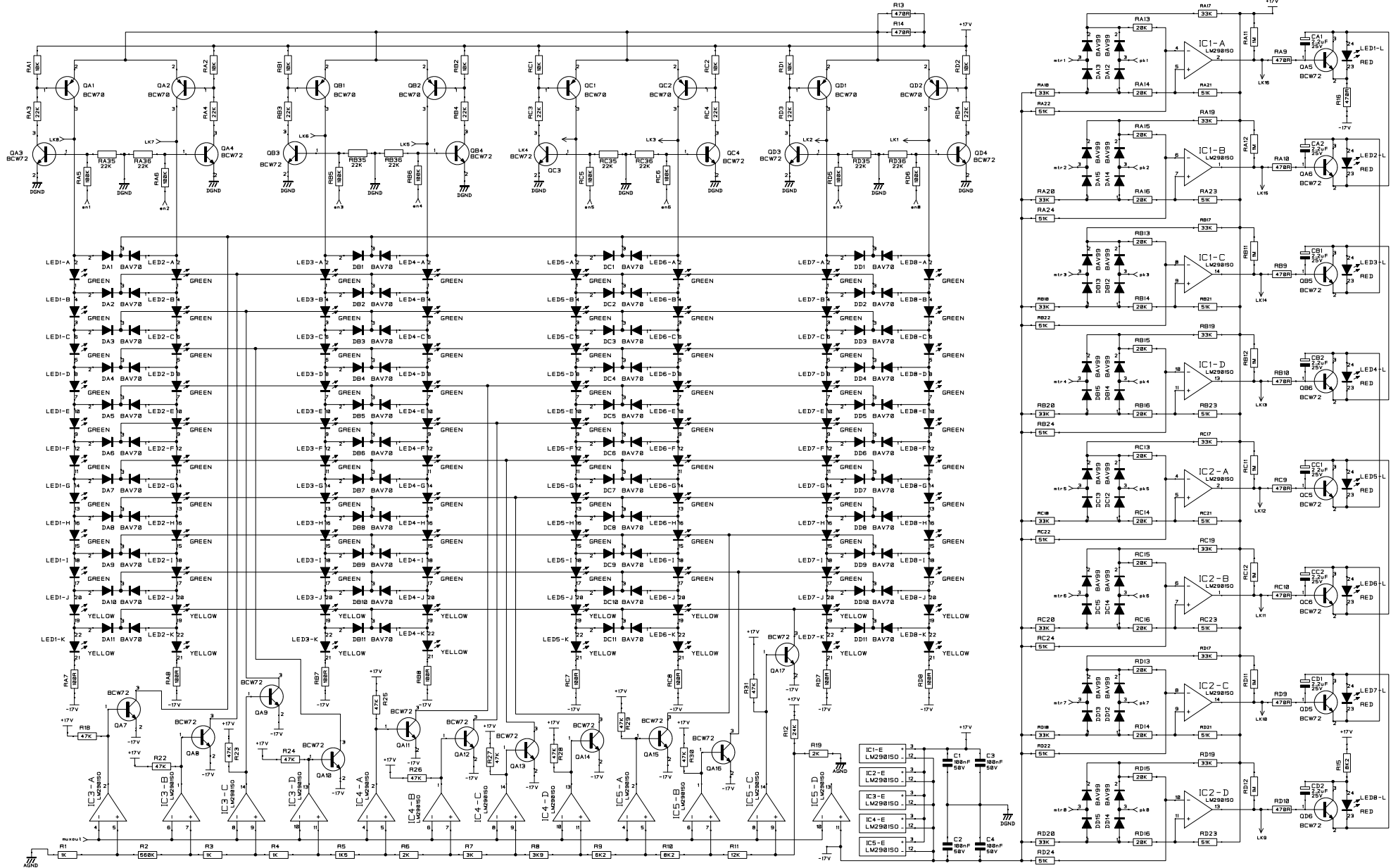
NOTES

DRN. GHB  
DATE

SOUNDCRAFT  
HARMAN INT. INDUSTRIES LTD.  
CRANBORNE HOUSE,  
CRANBORNE ROAD,  
POTTERS BAR,  
HERTS. ENG. 3 JN.  
TEL: 01707 655000  
FAX: 01707 650482

TITLE  
BLYTH LIVE  
INPUT FADER  
DRG NO. ED4021





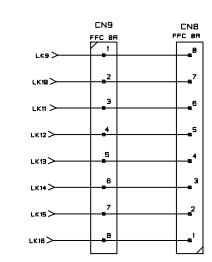
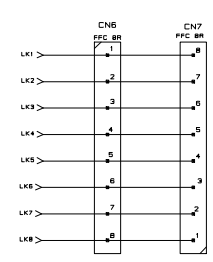
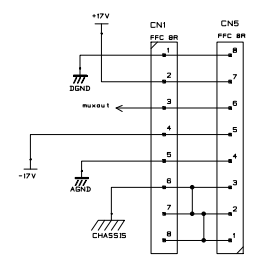
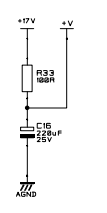
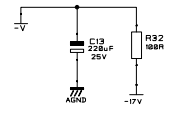
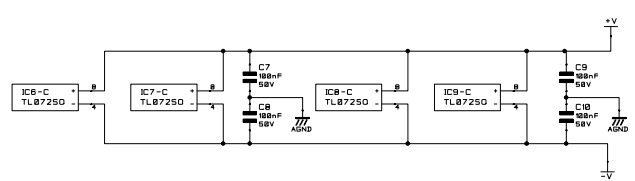
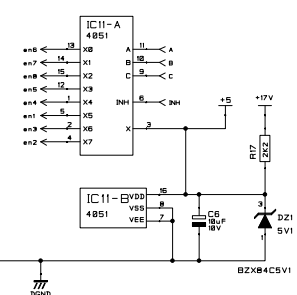
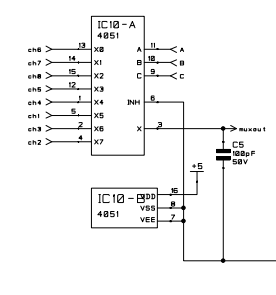
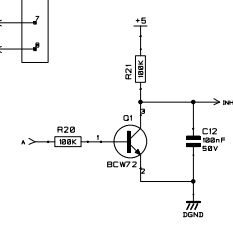
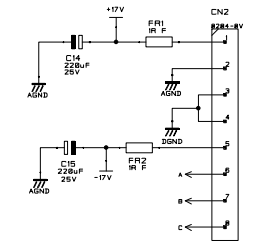
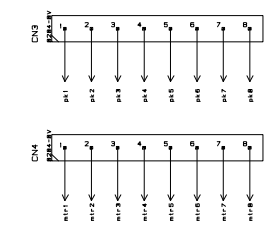
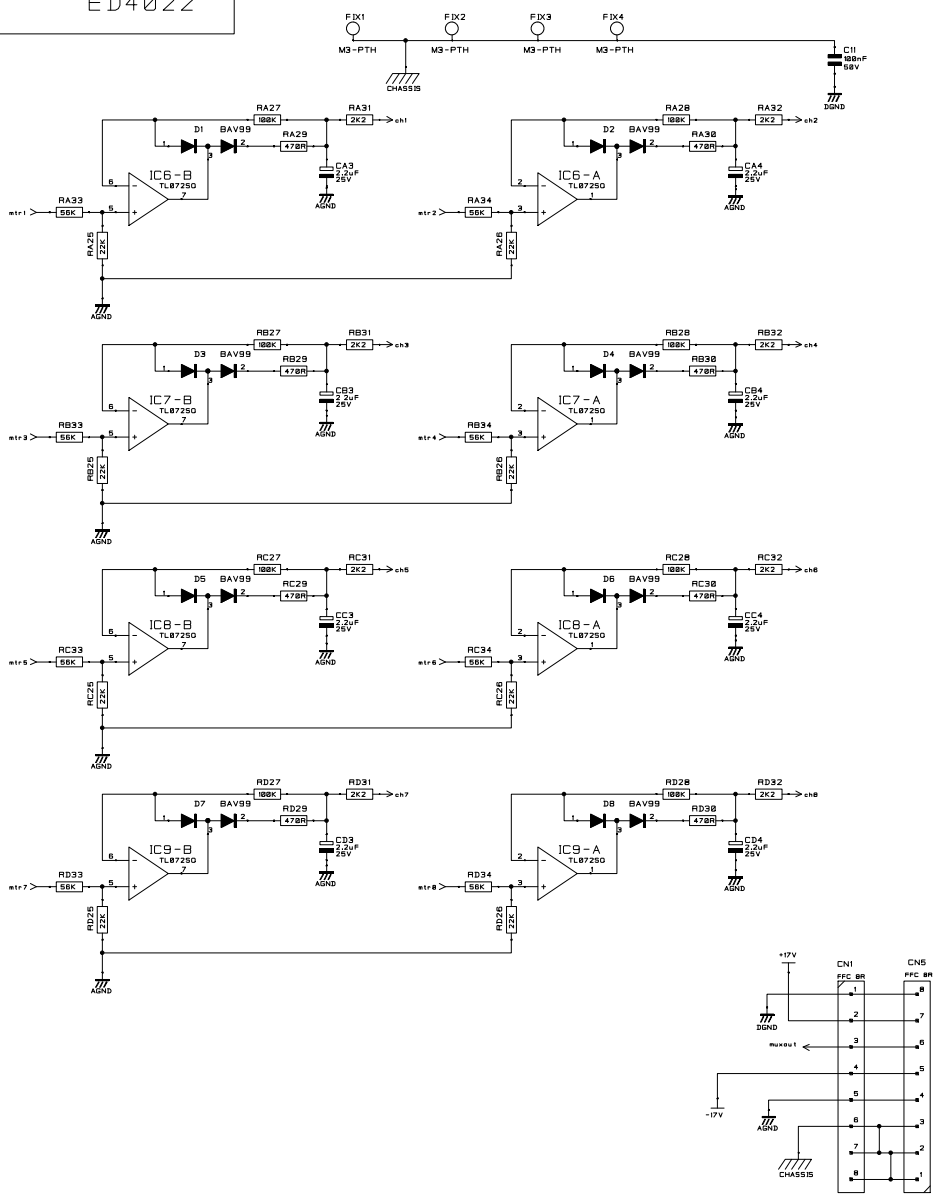
SOUNDCRAFT OWNS THE COPYRIGHT OF THIS DRAWING WHICH IS NOT TO BE COPIED, IN PART OR IN WHOLE TO A THIRD PARTY WITHOUT WRITTEN PERMISSION.

NOTES

DRN. GHB  
DATE

SOUNDCRAFT  
HARMAN INT. INDUSTRIES LTD.  
CRANBORNE HOUSE,  
POTTERS BAR,  
HERTS. ENG. 3 IN.  
TEL.: 01707 665000  
FAX: 01707 660482

TITLE  
SERIES TWO  
METER BOARD  
DRG NO. ED4022



SOUNDCRAFT OWNS THE COPYRIGHT OF THIS DRAWING WHICH IS NOT TO BE COPIED, IN PART OR IN WHOLE TO A THIRD PARTY WITHOUT WRITTEN PERMISSION.

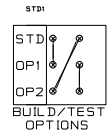
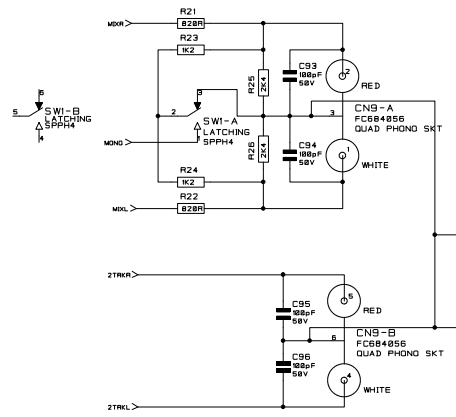
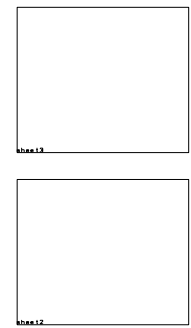
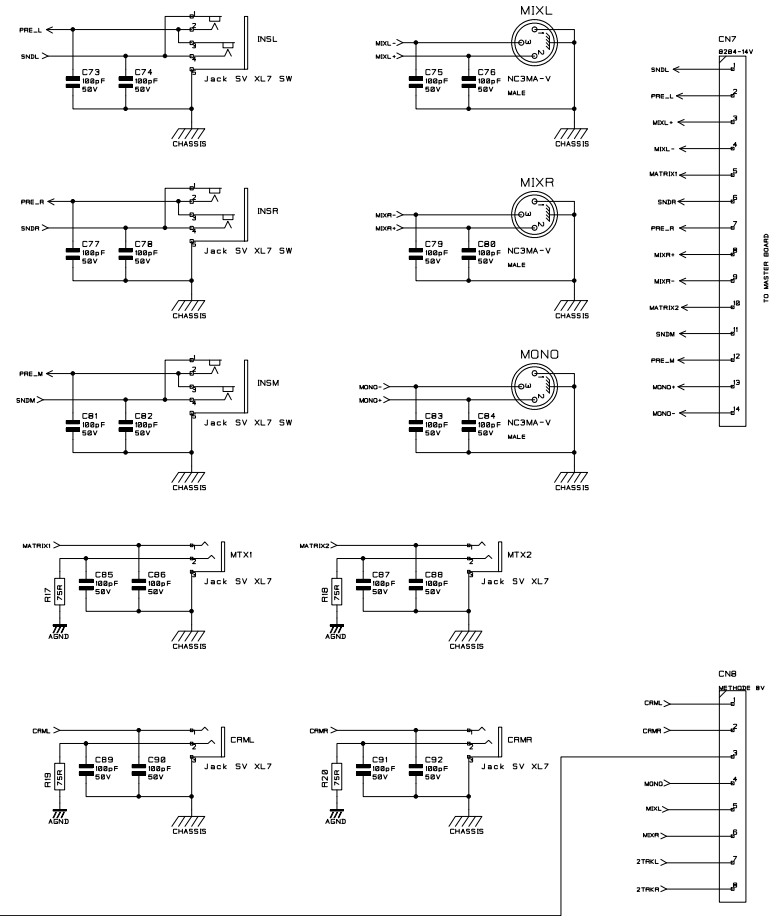
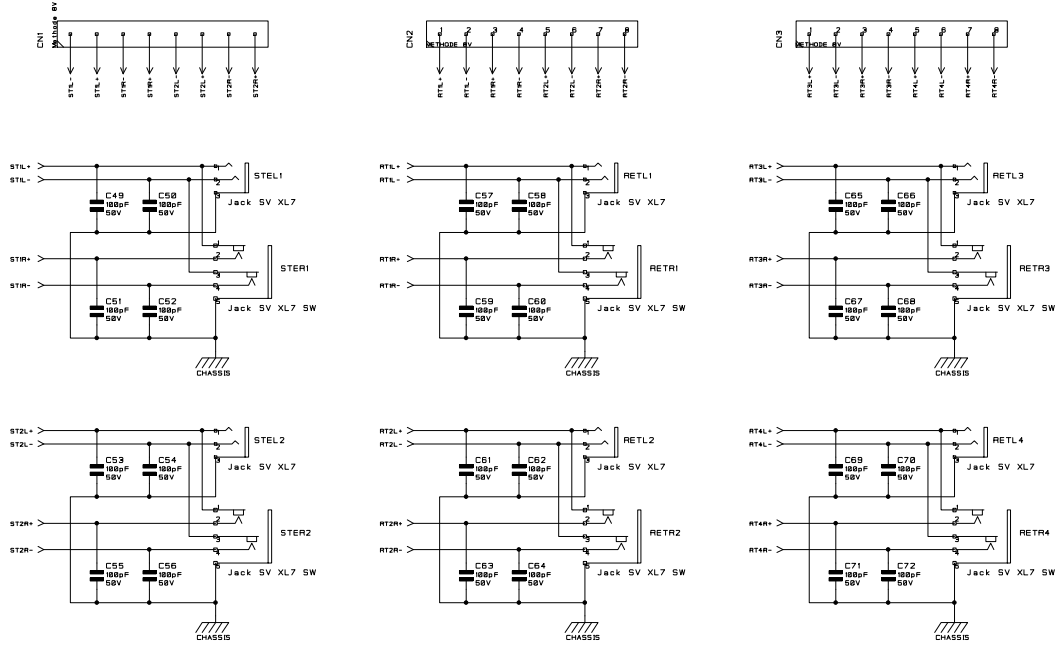
NOTES

DRN. GHB  
DATE

SOUNDCRAFT  
HARMAN INT. INDUSTRIES LTD.  
CRANBORNE HOUSE,  
POTTERS BAR,  
HERTS. ENG. 3 IN.  
TEL: 01707 655000  
FAX: 01707 650482

TITLE  
SERIES TWO  
METER BOARD  
DRG NO. ED4022

INITIAL	ISSUE	DATE
TW	4:02	4-7-00



SOUNDCRAFT OWNS THE COPYRIGHT OF THIS DRAWING WHICH IS NOT TO BE COPIED, IN PART OR IN WHOLE TO A THIRD PARTY WITHOUT WRITTEN PERMISSION.

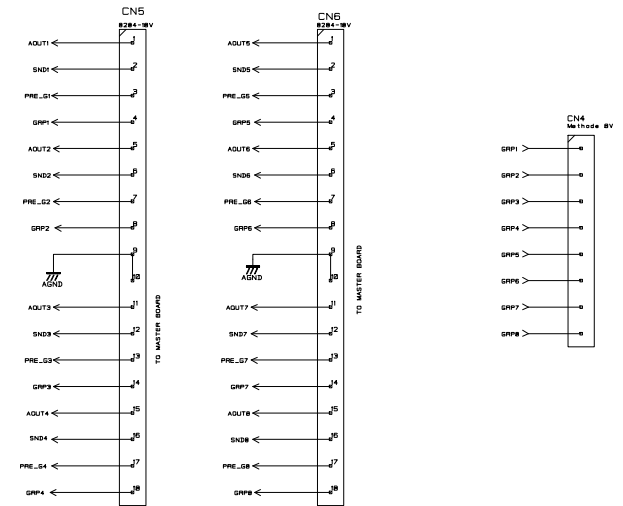
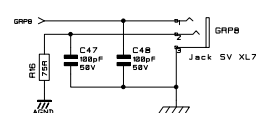
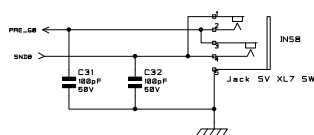
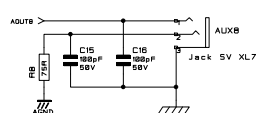
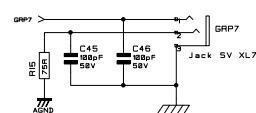
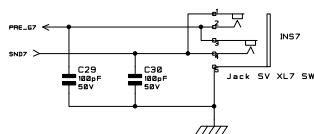
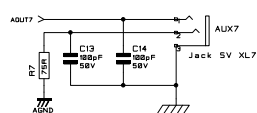
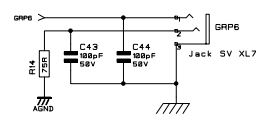
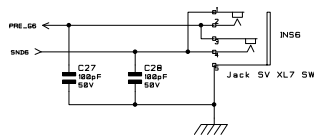
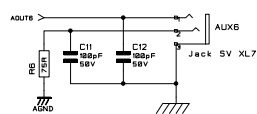
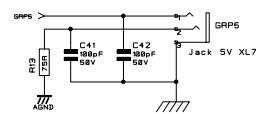
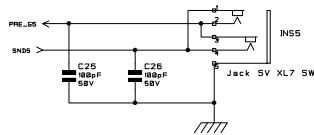
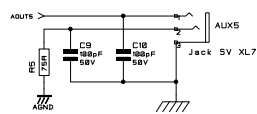
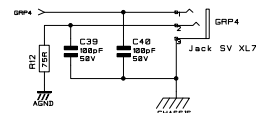
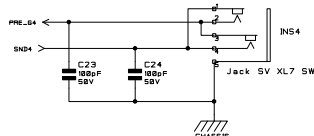
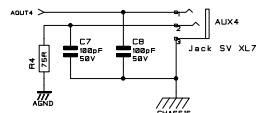
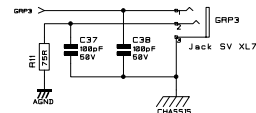
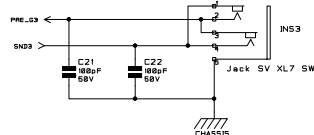
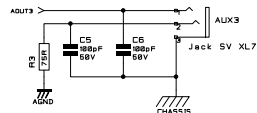
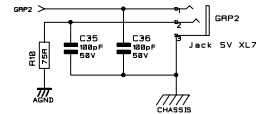
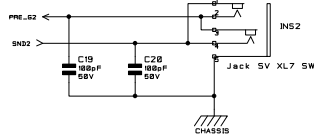
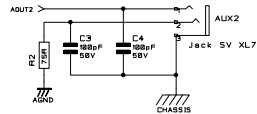
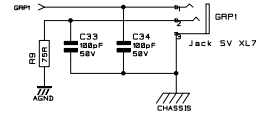
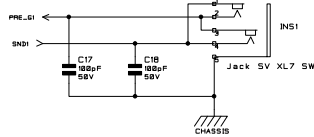
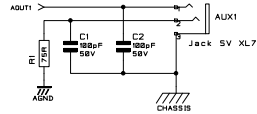
NOTES

DRN. \*\*\*  
DATE 00-00-00

SOUNDCRAFT  
HARMAN INT. INDUSTRIES LTD.  
CRANBORNE HOUSE,  
CRANBORNE ROAD,  
POTTERS BAR,  
HERTS. ENG. 3JN.  
TEL: 01707 665000  
FAX: 01707 660482

TITLE  
SERIES TWO  
Rearconn & Midi  
DRG NO. ED4025

INITIAL	ISSUE	DATE
TW	4:02	4-7-00



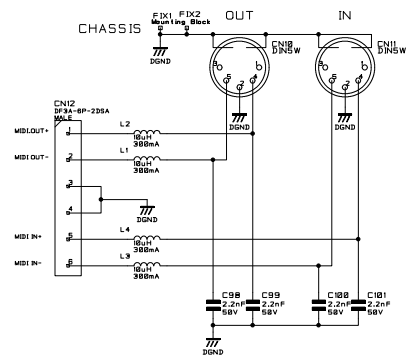
SOUNDCRAFT OWNS THE COPYRIGHT OF THIS DRAWING WHICH IS NOT TO BE COPIED, IN PART OR IN WHOLE TO A THIRD PARTY WITHOUT WRITTEN PERMISSION.

NOTES

DRN. \*\*\*  
DATE 00-00-00

SOUNDCRAFT  
HARMAN INT. INDUSTRIES LTD.  
CRANBORNE HOUSE,  
CRANBORNE ROAD,  
POTTERS BAR,  
HERTS. ENG. 3 JN.  
TEL: 01707 665000  
FAX: 01707 660482

TITLE  
SERIES TWO  
Rearconn & Midi  
DRG NO. ED4025



PLACE COMPONENTS AS CLOSE AS POSSIBLE TO CONNECTORS

SOUNDCRAFT OWNS THE COPYRIGHT OF THIS DRAWING WHICH IS NOT TO BE COPIED, IN PART OR IN WHOLE TO A THIRD PARTY WITHOUT WRITTEN PERMISSION.

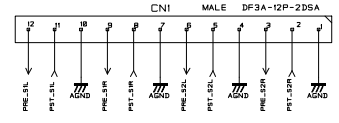
NOTES

DRN. \*\*\*  
DATE 00-00-00

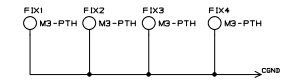
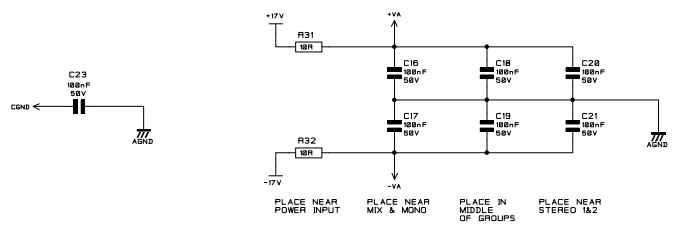
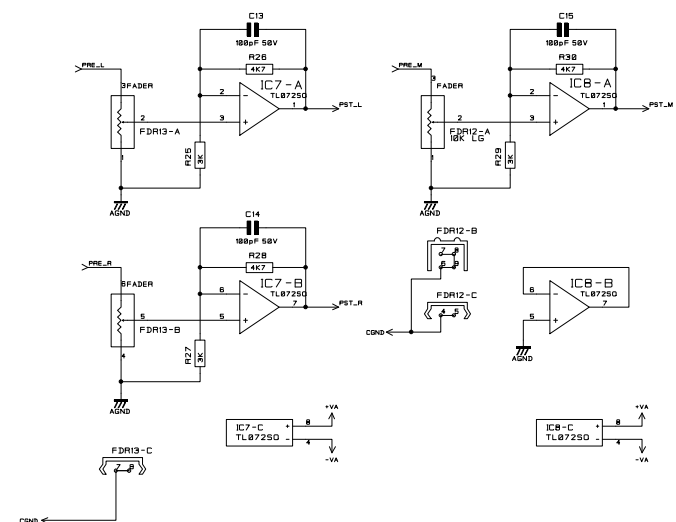
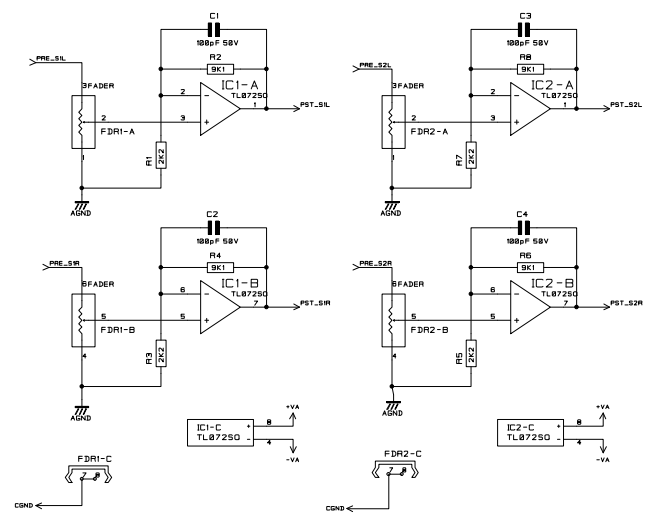
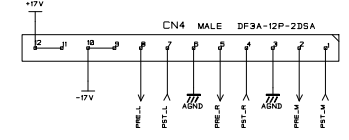
SOUNDCRAFT  
HARMAN INT. INDUSTRIES LTD.  
CRANBORNE HOUSE,  
CRANBORNE ROAD,  
POTTERS BAR,  
HERTS. ENG. 3JN.  
TEL: 01707 665000  
FAX: 01707 660482

TITLE  
SERIES TWO  
Rearconn & Midi  
DRG NO. ED4025

STEREO 1 & 2



LR MIX & MONO



SOUNDCRAFT OWNS THE COPYRIGHT OF THIS DRAWING WHICH IS NOT TO BE COPIED, IN PART OR IN WHOLE TO A THIRD PARTY WITHOUT WRITTEN PERMISSION.

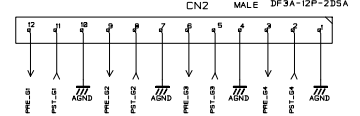
NOTES

DRN. YES  
 DATE 11-02-99

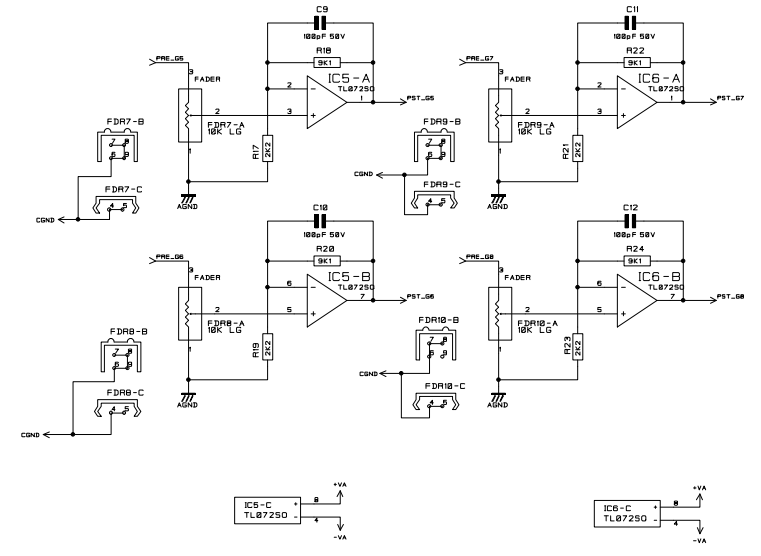
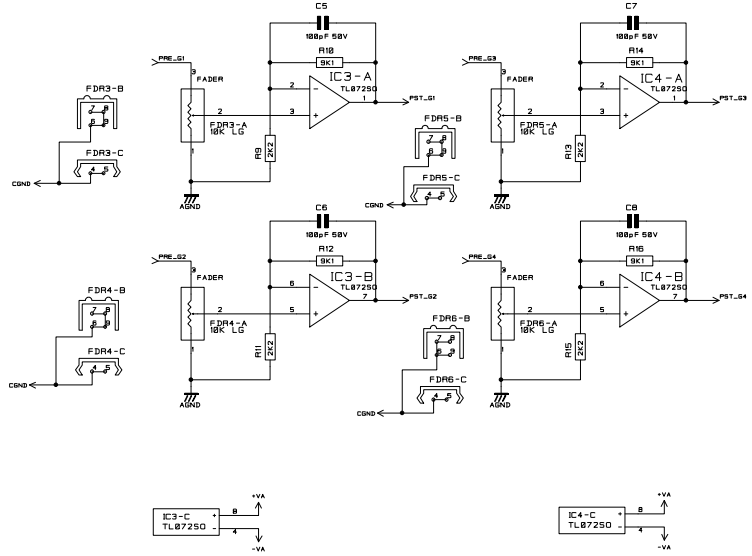
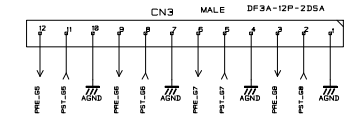
SOUNDCRAFT  
 HARMAN INT. INDUSTRIES LTD.  
 CRANBORNE HOUSE,  
 CRANBORNE ROAD,  
 POTTERS BAR,  
 HERTS. ENG. 3 J.N.  
 TEL: 01707 665000  
 FAX: 01707 660482

TITLE  
 SERIES TWO  
 OUTPUT FADER PCB  
 STEREO, LR & MONO FADERS  
 DRG NO. ED4026

GROUPS 1-4



GROUPS 5-8



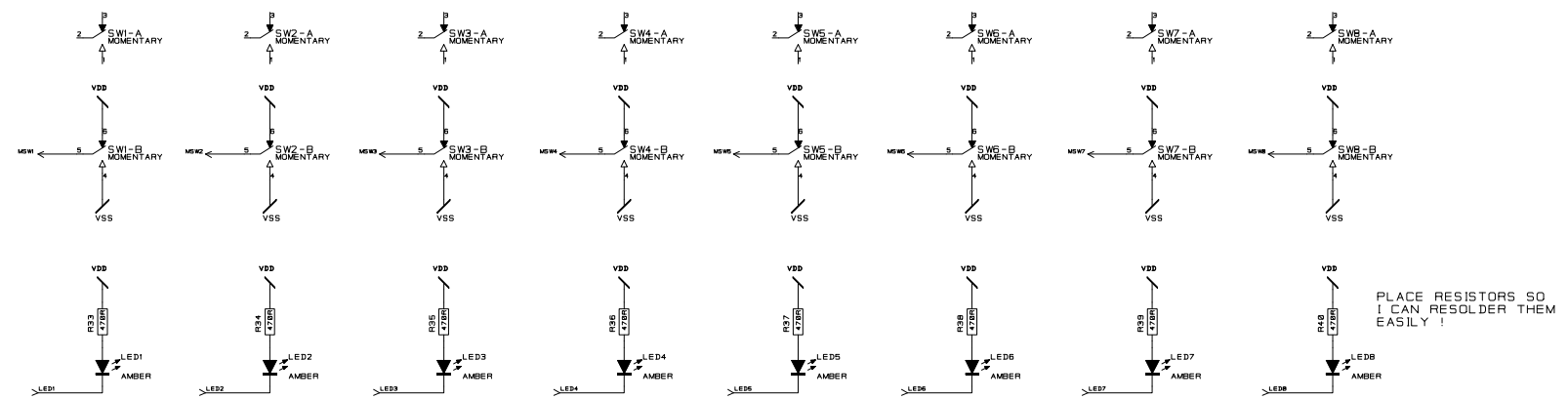
SOUNDCRAFT OWNS THE COPYRIGHT OF THIS DRAWING WHICH IS NOT TO BE COPIED, IN PART OR IN WHOLE TO A THIRD PARTY WITHOUT WRITTEN PERMISSION.

NOTES

DRN. YS  
DATE 11-02-99

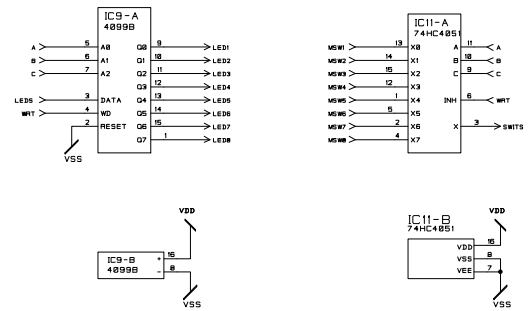
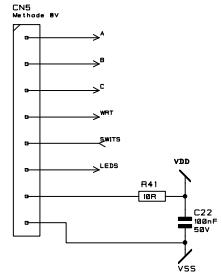
SOUNDCRAFT  
HARMAN INT. INDUSTRIES LTD.  
CRANBORNE HOUSE,  
CRANBORNE ROAD,  
POTTERS BAR,  
HERTS. ENG. 3 JN.  
TEL: 01707 665000  
FAX: 01707 660482

TITLE  
SERIES TWO  
OUTPUT FADER PCB  
GROUP FADERS  
DRG NO. ED4026

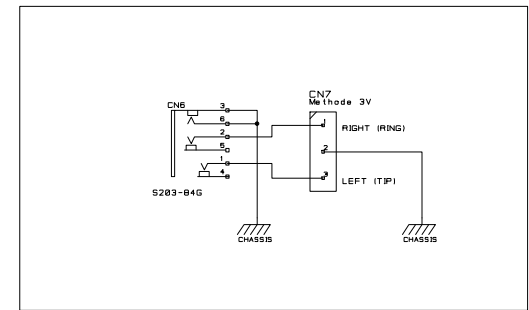


PLACE RESISTORS SO I CAN RESOLDER THEM EASILY !

FLOOD FILL WITH Vss



HEADPHONE SOCKET



FLOOD FILL WITH CHASSIS. KEEP CHASSIS FLOOD AT LEAST 5mm AWAY FROM Vss FLOOD FILL

SOUNDCRAFT OWNS THE COPYRIGHT OF THIS DRAWING WHICH IS NOT TO BE COPIED, IN PART OR IN WHOLE TO A THIRD PARTY WITHOUT WRITTEN PERMISSION.

NOTES

DRN. YES  
DATE 11-02-99

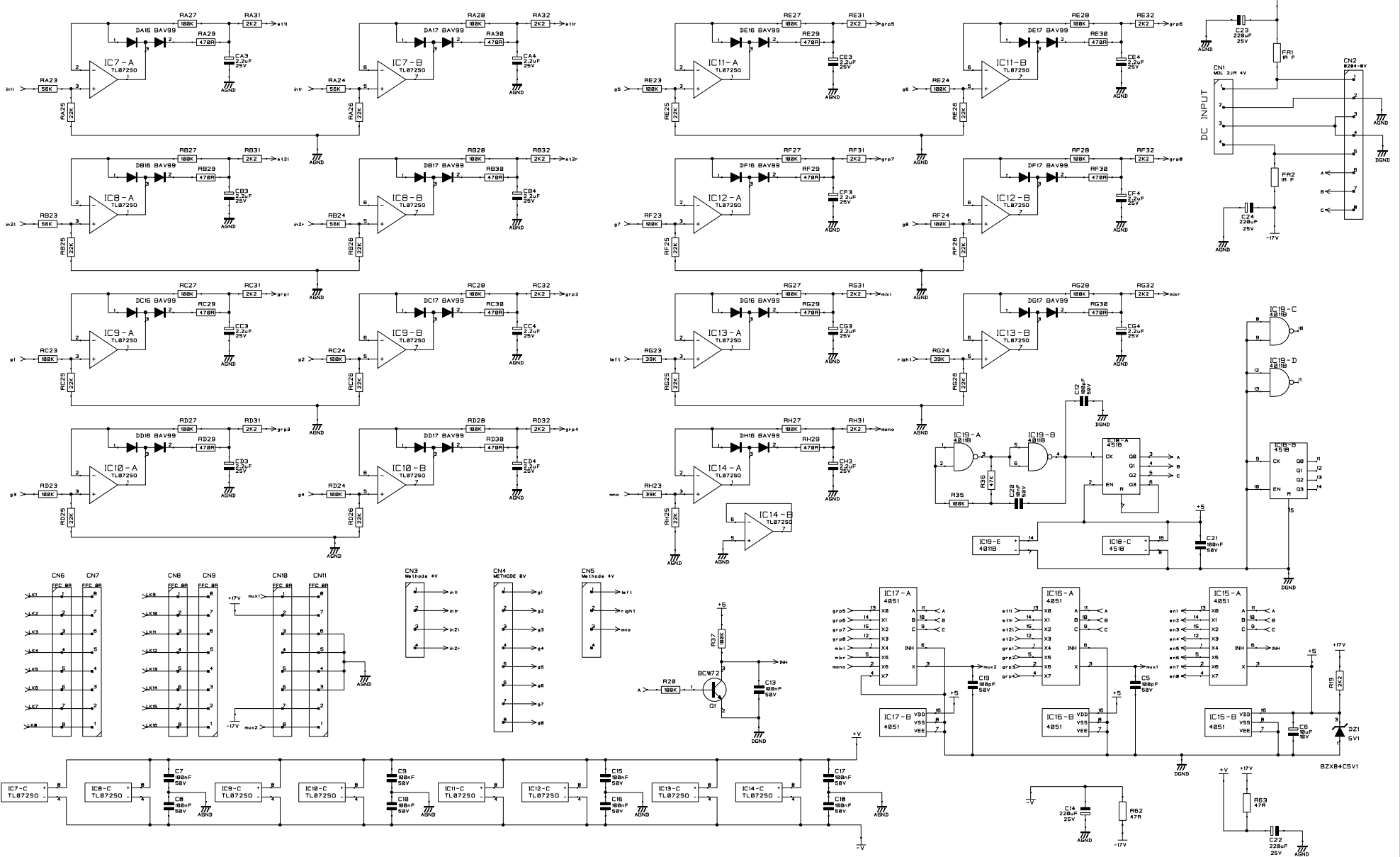
SOUNDCRAFT  
HARMAN INT. INDUSTRIES LTD.  
CRANBORNE HOUSE,  
CRANBORNE ROAD,  
POTTERS BAR,  
HERTS. ENG. 3JN.  
TEL: 01707 655000  
FAX: 01707 650482

TITLE  
SERIES TWO  
OUTPUT FADER PCB  
MUTE GROUP PCB  
DRG NO. ED4026



DRG NO. ED4027

INITIAL	ISSUE	DATE
TW	6:02	19-4-00



SOUNDCRAFT OWNS THE COPYRIGHT OF THIS DRAWING WHICH IS NOT TO BE COPIED, IN PART OR IN WHOLE TO A THIRD PARTY WITHOUT WRITTEN PERMISSION.

NOTES

DRN. GHB

DATE 22-02-99

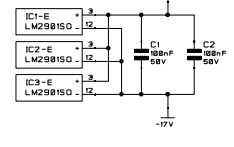
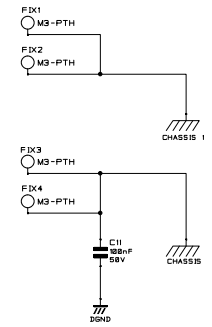
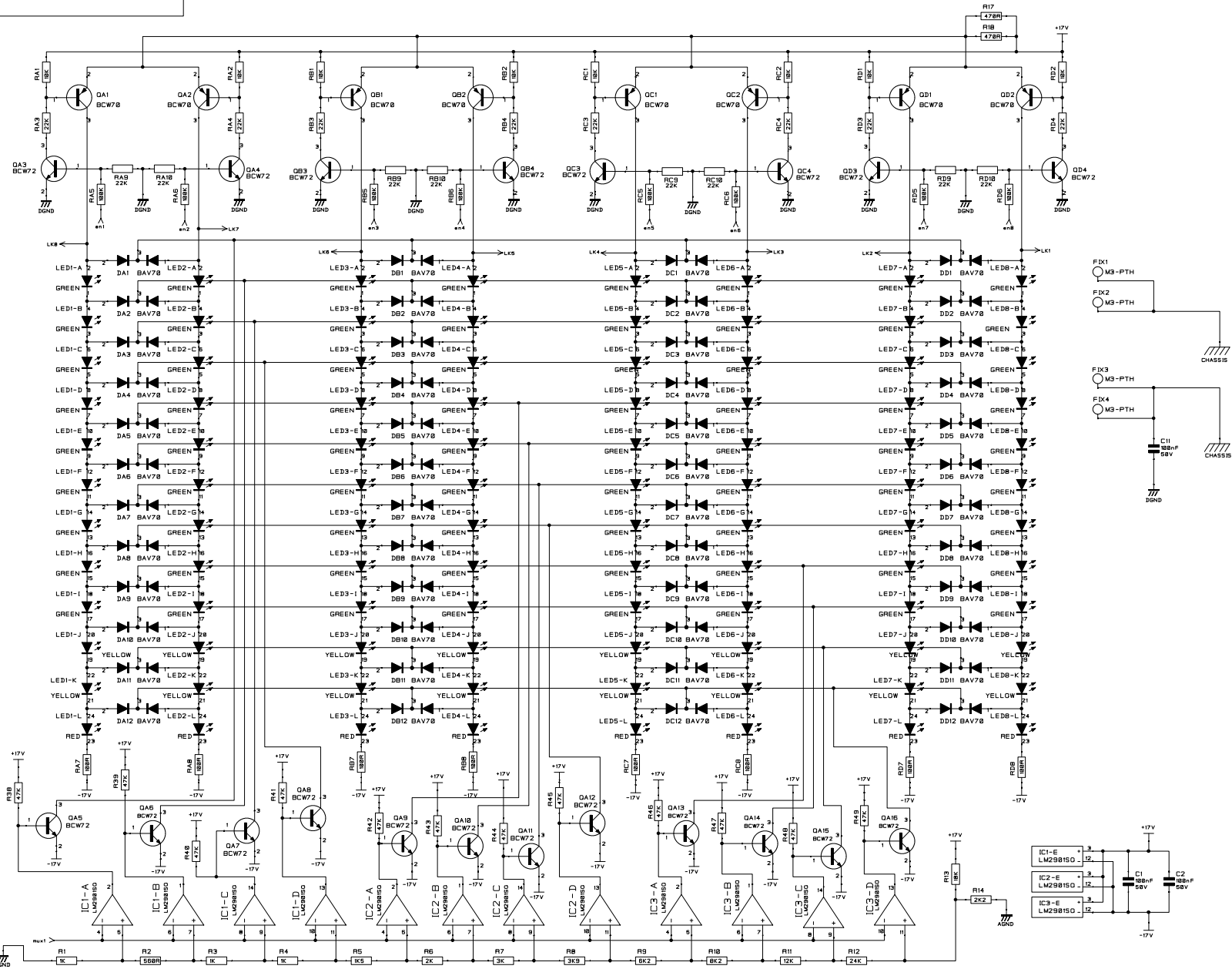
SOUNDCRAFT  
HARMAN INT. INDUSTRIES LTD.  
CRANBORNE ROAD,  
POTTERS BAR,  
HERTS. EN6 3JN.  
TEL: 01707 665000  
FAX: 01707 660482

TITLE  
SERIES TWO  
O/P METER

DRG NO. ED4027

SHT. 1 OF 3

INITIAL	ISSUE	DATE
TW	6:02	19-4-00



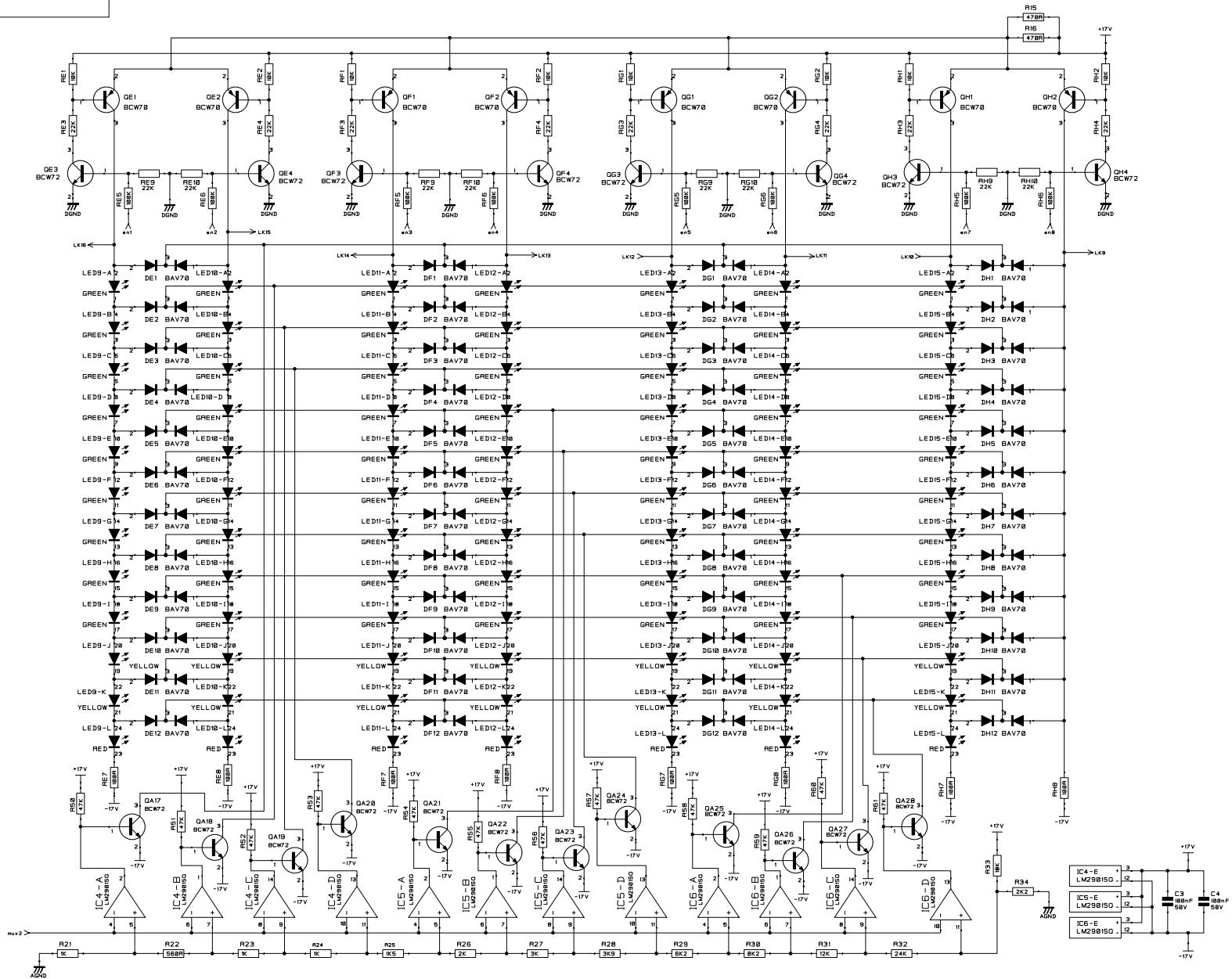
NOTES

SOUNDCRAFT OWNS THE COPYRIGHT OF THIS DRAWING WHICH IS NOT TO BE COPIED, IN PART OR IN WHOLE, TO A THIRD PARTY WITHOUT WRITTEN PERMISSION.

DRN. GHB  
DATE 22-02-99

SOUNDCRAFT  
HARMAN INT. INDUSTRIES LTD.  
CRANBORNE HOUSE,  
CRANBORNE ROAD,  
POTTERS BAR,  
HERTS. ENG. 3 JN.  
TEL: 01707 655000  
FAX: 01707 650482

TITLE  
SERIES TWO  
O/P METER  
DRG NO. ED4027



NOTES

SOUNDCRAFT OWNS THE COPYRIGHT OF THIS DRAWING WHICH IS NOT TO BE COPIED, IN PART OR IN WHOLE, TO A THIRD PARTY WITHOUT WRITTEN PERMISSION.

DRN. GHB

DATE 22-02-99

SOUNDCRAFT  
HARMAN INT. INDUSTRIES LTD.  
CRANBORNE HOUSE,  
CRANBORNE ROAD,  
POTTERS BAR,  
HERTS. ENG. 3 JN.  
TEL: 01707 655000  
FAX: 01707 650482

TITLE  
SERIES TWO  
O/P METER

DRG NO. ED4027

DRG NO. ED4028

INITIAL	ISSUE	DATE
YS	1:00	11-03-99

Microcontroller

Fader Servos 1-4

Fader Servos 5-8

Channel Interface

SOUNDCRAFT OWNS THE COPYRIGHT OF THIS DRAWING WHICH IS NOT TO BE COPIED, IN PART OR IN WHOLE, TO A THIRD PARTY WITHOUT WRITTEN PERMISSION.

NOTES

DRN.	YS
DATE	11-03-99

SOUNDCRAFT  
HARMAN INT. INDUSTRIES LTD.  
CRANBORNE HOUSE,  
CRANBORNE ROAD,  
POTTERS BAR,  
HERTS. ENG. 3JN.  
TEL: 01707 665000  
FAX: 01707 660482

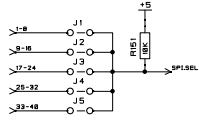
TITLE  
SERIES TWO  
MOVING FADER  
INTERFACE PCB

DRG NO. ED4028

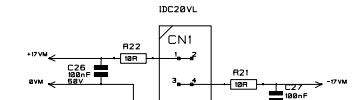
SHT. 1 OF 4

INITIAL	ISSUE	DATE
YS	1:00	11-03-99

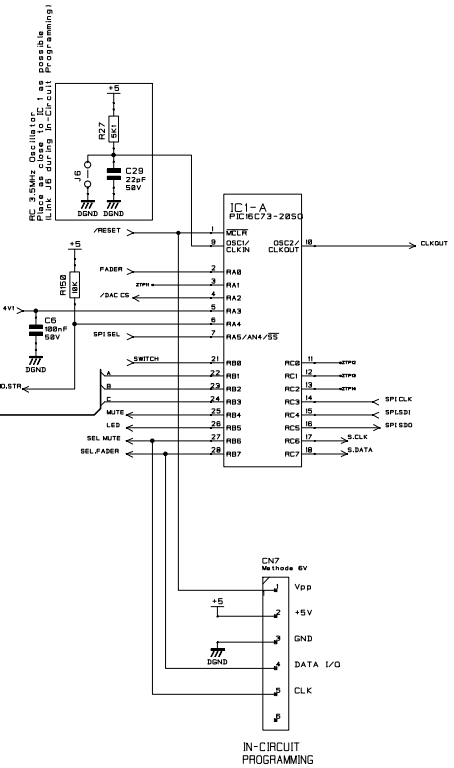
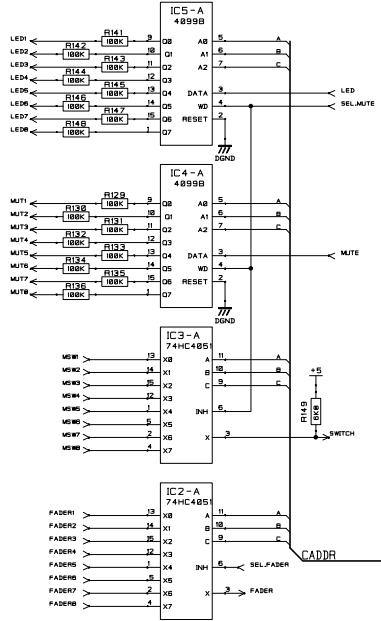
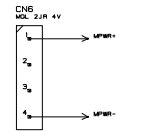
Use Open 10-Way Header or 2 Rows of 5-Pin SIL To Make Into Jumpers



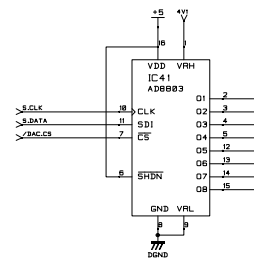
PLACE CONNECTOR CN1 ON BOTTOM SIDE OF PCB



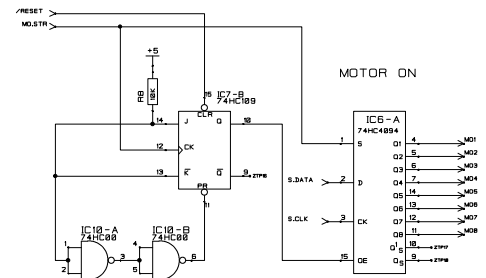
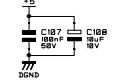
PLACE CONNECTOR CN6 ON BOTTOM SIDE OF PCB



FADER TARGET POSITION

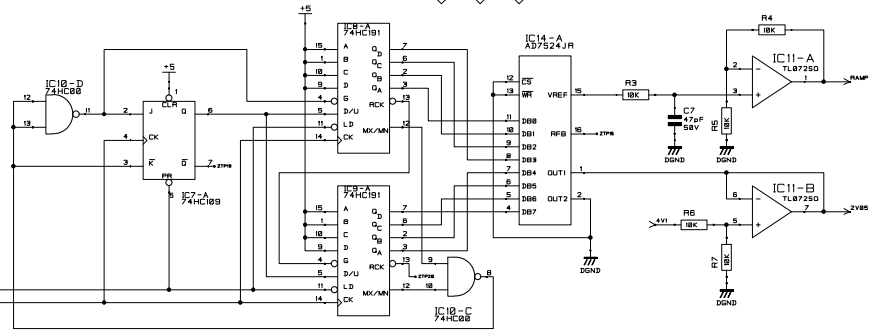


Supply Decoupling for AD8893  
Place close to the IC  
Route separate traces from the input connector if possible

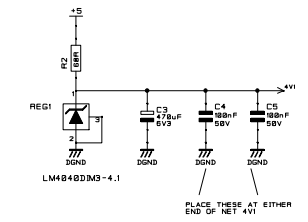


MOTOR ON

RAMP GENERATOR



CONTROL LOGIC



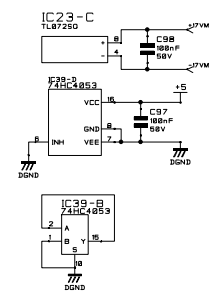
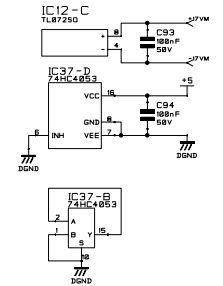
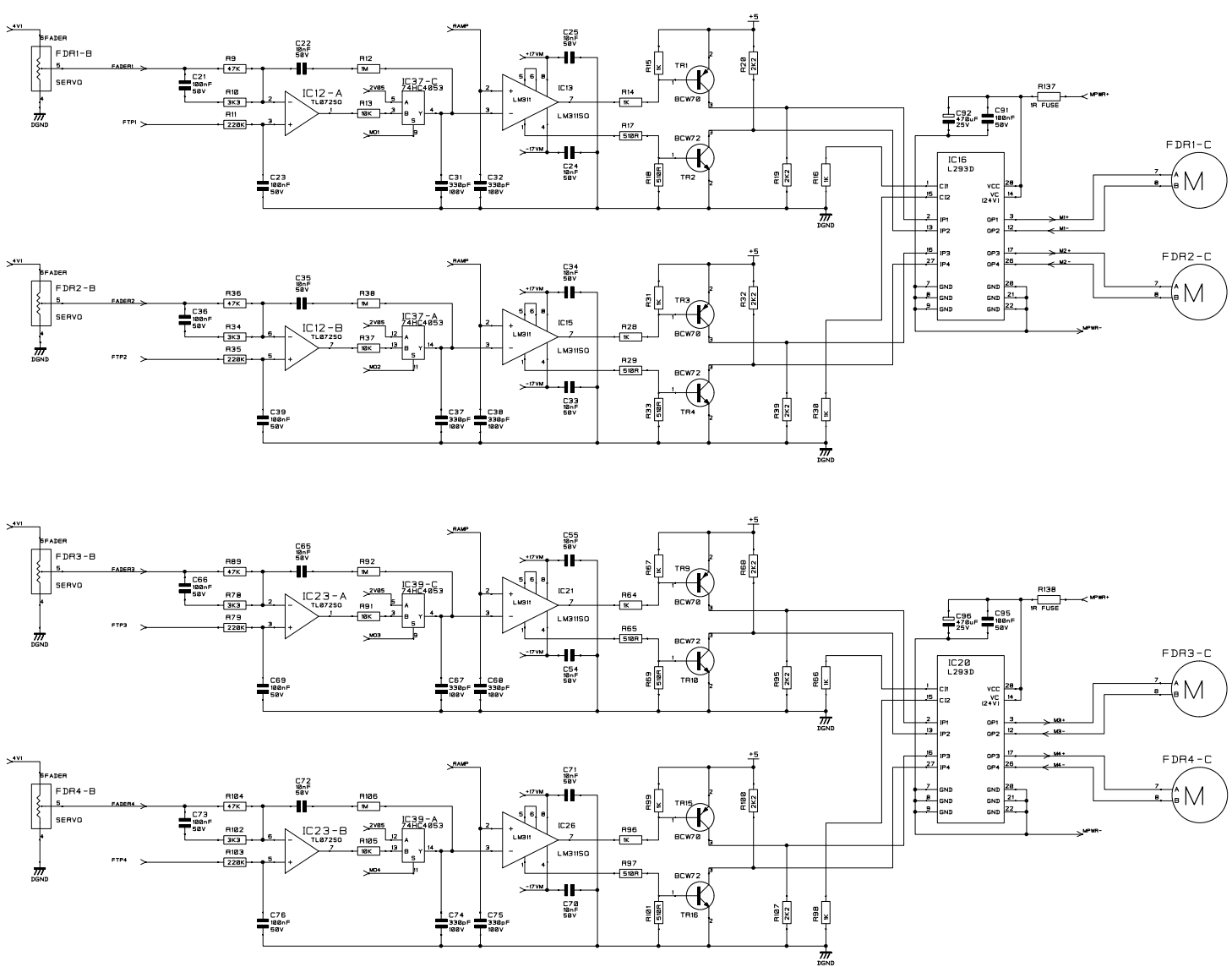
PLACE THESE AT EITHER END OF NET +V1

NOTES  
 IMPORTANT  
 This PCB is extremely layout critical, particularly:  
 Fader1-Fader8, Fader, 4V1 and 2V05 nets  
 Shield these nets using DGND.  
 Copy the layout used on the latest issue of the Digi-328 IP Control Surface PCB (IED3807) as closely as possible.  
 See Gordon Mills or Yan Speake for guidance

DRN.	YS
DATE	11-03-99

SOUNDCRAFT  
 HARMAN INT. INDUSTRIES LTD.  
 CRANBORNE HOUSE,  
 CRANBORNE ROAD,  
 POTTERS BAR,  
 HERTS. EN6 3JN.  
 TEL: 01707 655000  
 FAX: 01707 650452

TITLE  
 SERIES TWO  
 MOVING FADER  
 INTERFACE PCB



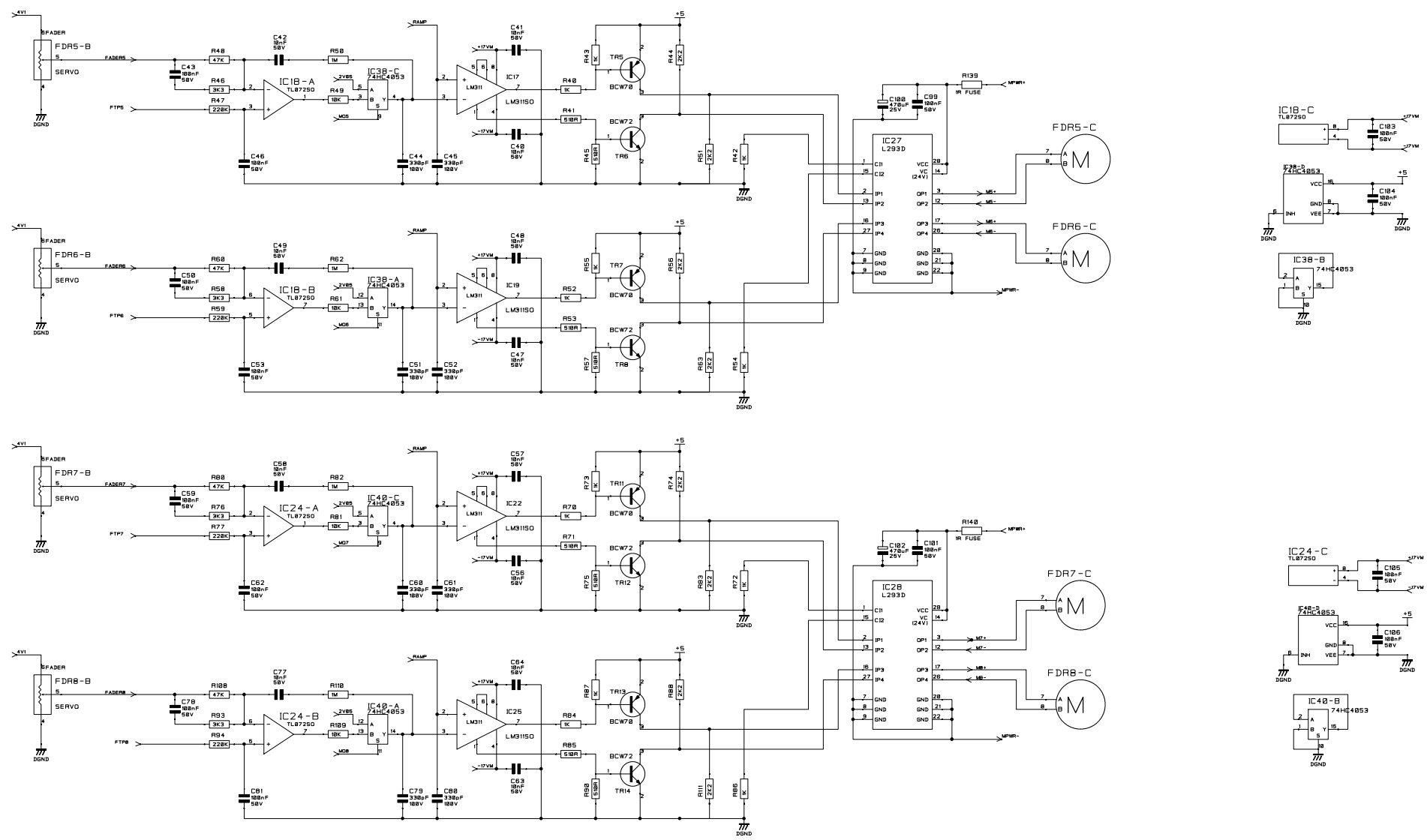
FADER SERVOS 1-4

NOTES  
 SOUNDRAFT OWNS THE COPYRIGHT OF THIS DRAWING WHICH IS NOT TO BE COPIED, IN PART OR IN WHOLE TO A THIRD PARTY WITHOUT WRITTEN PERMISSION.

DRN. YS  
 DATE 11-03-99

SOUNDRAFT  
 HARMAN INT. INDUSTRIES LTD.  
 CRANBORNE HOUSE,  
 CRANBORNE ROAD,  
 POTTERS BAR,  
 HERTS. ENG. 3JN,  
 TEL: 01707 665000  
 FAX: 01707 660482

TITLE  
 SERIES TWO  
 MOVING FADER  
 INTERFACE PCB  
 DRG NO. ED4028



SOUNDCRAFT OWNS THE COPYRIGHT OF THIS DRAWING WHICH IS NOT TO BE COPIED, IN PART OR IN WHOLE TO A THIRD PARTY WITHOUT WRITTEN PERMISSION.

NOTES

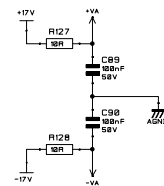
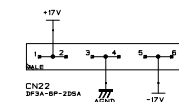
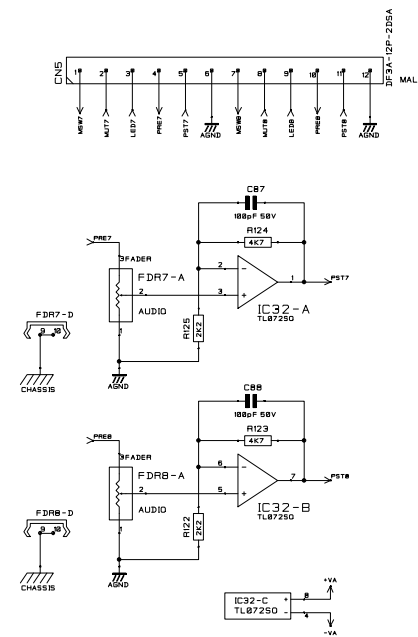
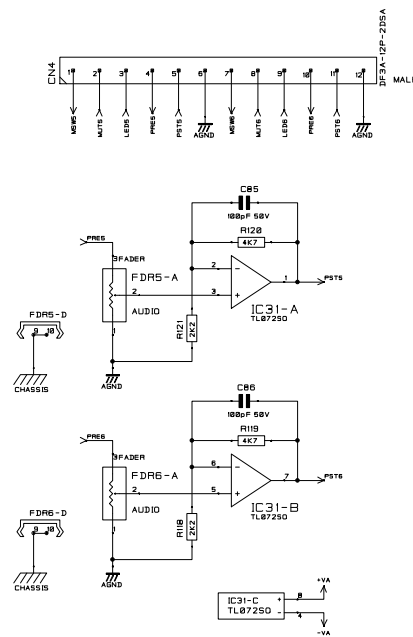
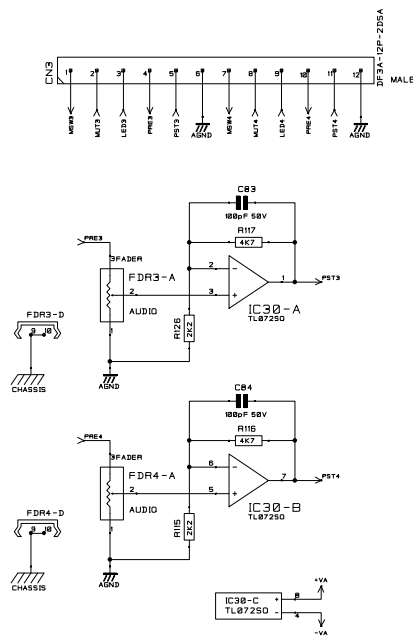
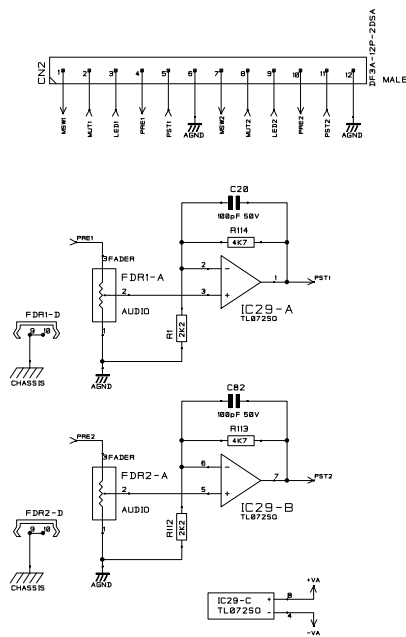
DRN. YS  
DATE 11-03-99

SOUNDCRAFT  
HARMAN INT. INDUSTRIES LTD.  
CRANBORNE HOUSE,  
CRANBORNE ROAD,  
POTTERS BAR,  
HERTS. ENG. 3 JN.  
TEL: 01707 655000  
FAX: 01707 660482

FADER SERVOS 5-B

TITLE  
SERIES TWO  
MOVING FADER  
INTERFACE PCB

DRG NO. ED4028



CHANNEL INTERFACE

NOTES

CAUTION - AUDIO CIRCUITRY  
KEEP AWAY FROM DIGITAL AND SERVO CIRCUITS  
AND PLACE IN "AGND" GROUND PLANE.  
SEPERATE ANALOGUE AND DIGITAL  
PLANES BY AT LEAST 5mm

SOUNDCRAFT OWNS THE COPYRIGHT OF  
THIS DRAWING WHICH IS NOT TO BE  
COPIED, IN PART OR IN WHOLE TO A  
THIRD PARTY WITHOUT WRITTEN PERMISSION.

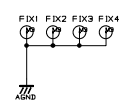
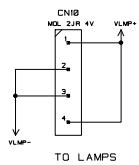
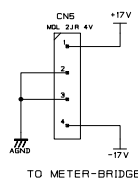
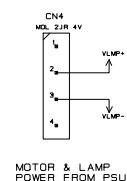
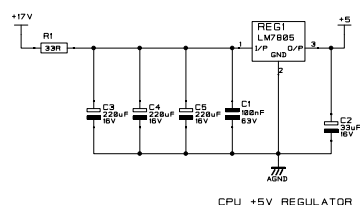
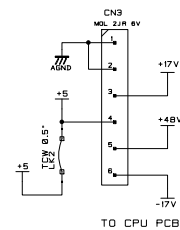
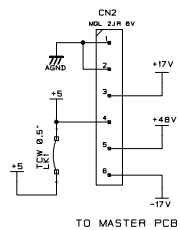
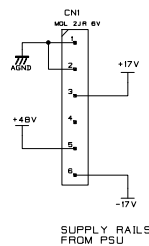
DRN. YS  
DATE 11-03-99

SOUNDCRAFT  
HARMAN INT. INDUSTRIES LTD.  
CRANBORNE HOUSE,  
CRANBORNE ROAD,  
POTTERS BAR,  
HERTS. ENG. 3 JN.  
TEL: 01707 665000  
FAX: 01707 660482

TITLE  
SERIES TWO  
MOVING FADER  
INTERFACE PCB

DRG NO. ED4028





SOUNDCRAFT OWNS THE COPYRIGHT OF THIS DRAWING WHICH IS NOT TO BE COPIED, IN PART OR IN WHOLE TO A THIRD PARTY WITHOUT WRITTEN PERMISSION.

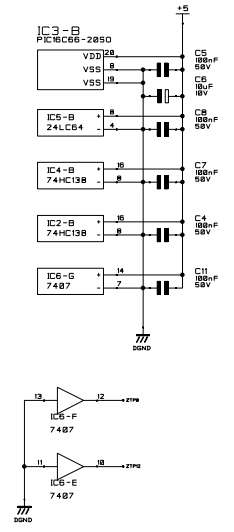
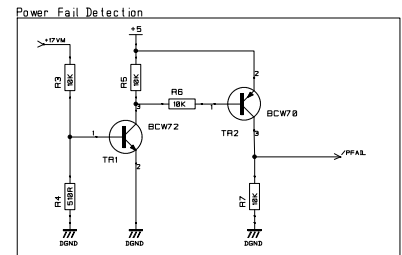
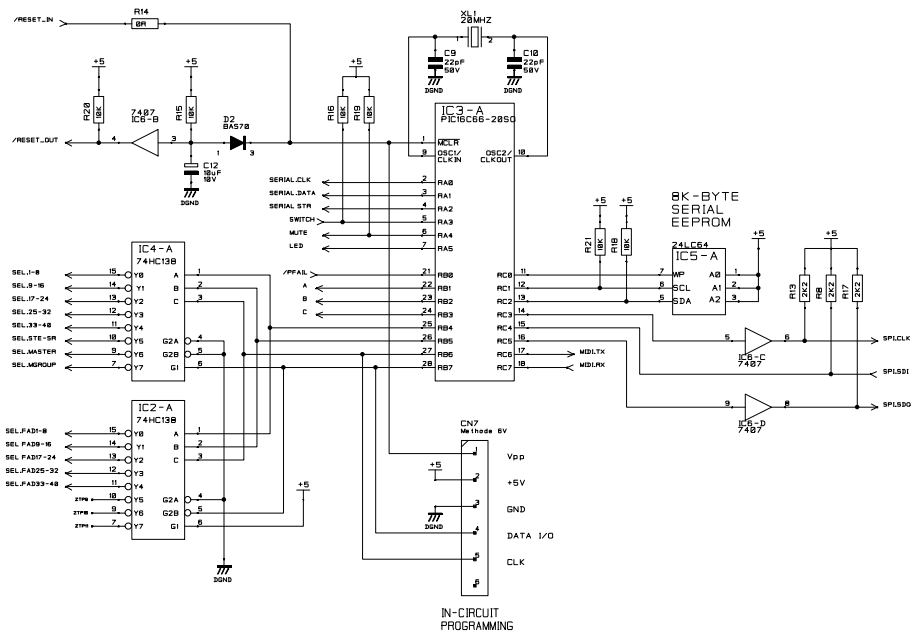
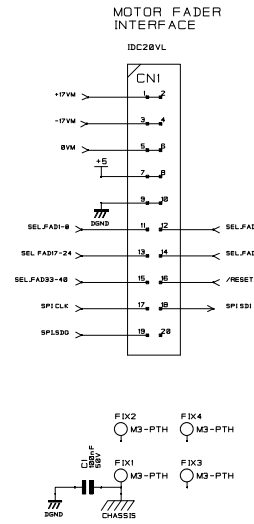
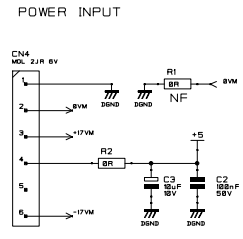
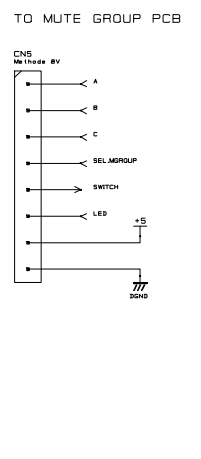
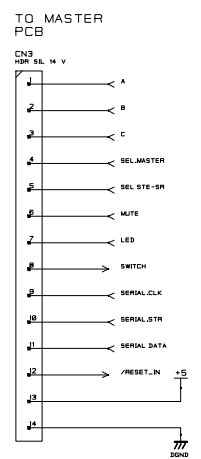
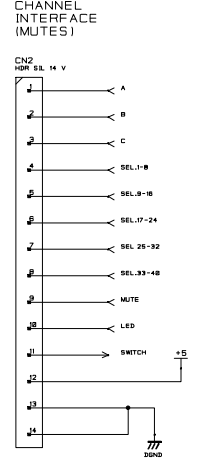
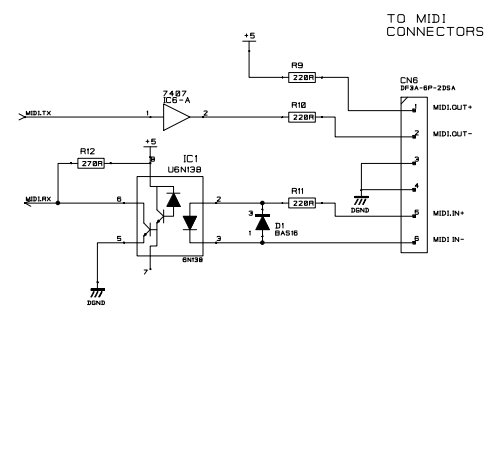
NOTES

DRN. GB/YanS  
DATE 04-01-00

SOUNDCRAFT  
HARMAN INT. INDUSTRIES LTD.  
CRANBORNE HOUSE,  
CRANBORNE ROAD,  
POTTERS BAR,  
HERTS. ENG. 3 J.N.  
TEL: 01707 665000  
FAX: 01707 660482

TITLE  
SERIES TWO  
PSU DISTRIBUTION PCB  
DRG NO. ED4041

INITIAL	ISSUE	DATE
YS	3:00	24-11-99



**LAYOUT NOTES**

To minimise EM radiation into O/P fader PCB, if possible, route all Clock Signals on top side only. Non-clock signals can be routed either side.

Flood fill bottom side with DGND, particularly beneath microprocessor and, if possible beneath logic ICs.

Flood-fill top side with DGND also.

SOUNDCRAFT OWNS THE COPYRIGHT OF THIS DRAWING WHICH IS NOT TO BE COPIED, IN PART OR IN WHOLE TO A THIRD PARTY WITHOUT WRITTEN PERMISSION.

NOTES

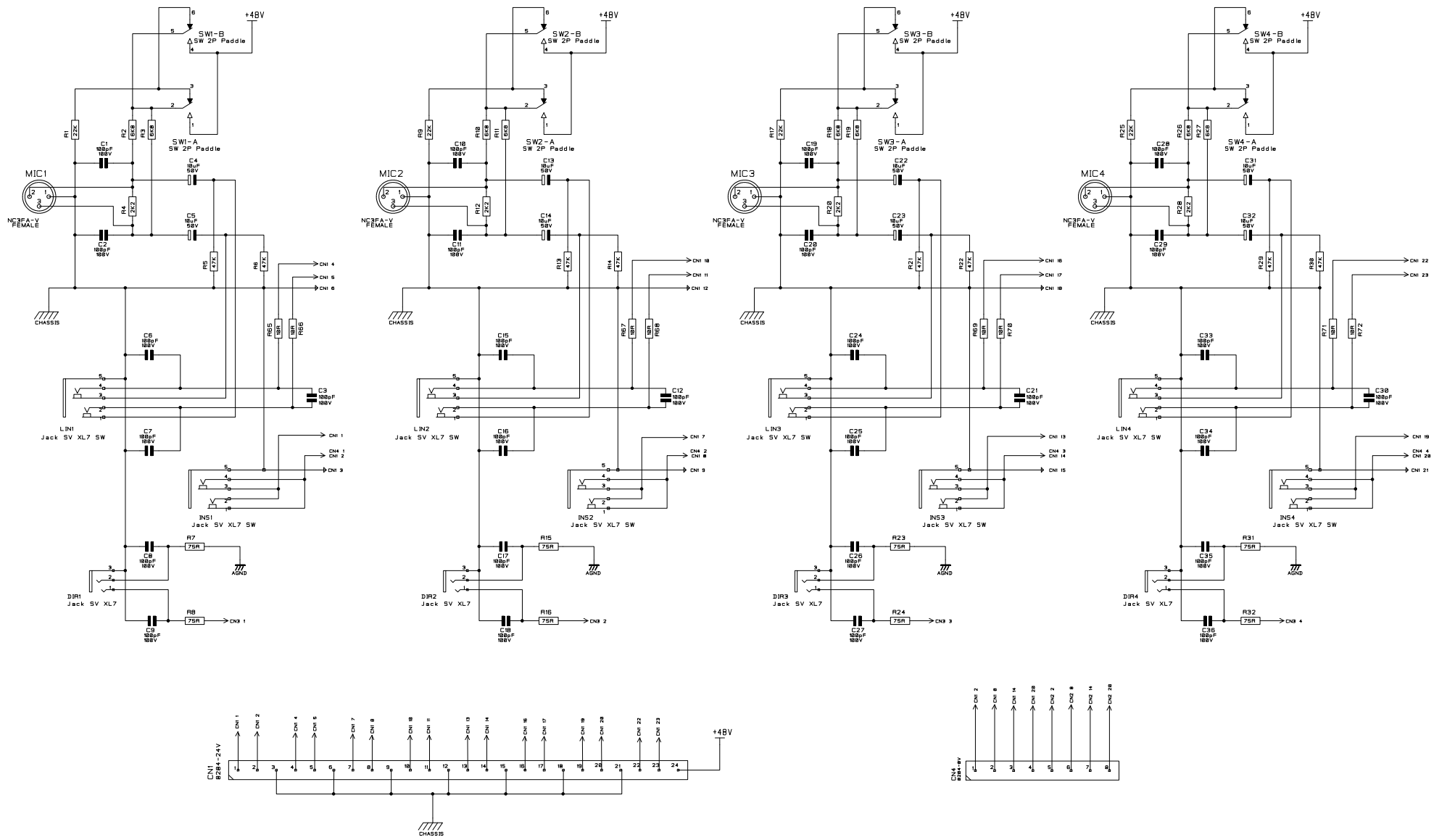
DRN.	YS
DATE	24-05-99

SOUNDCRAFT  
HARMAN INT. INDUSTRIES LTD.  
CRANBORNE HOUSE,  
CRANBORNE ROAD,  
POTTERS BAR,  
HERTS. ENG 3JN.  
TEL: 01707 665000  
FAX: 01707 660482

TITLE  
SERIES TWO  
MUTE AUTOMATION  
CPU PCB

DRG NO. ED4023

SHT. 1 OF 1



SOUNDCRAFT OWNS THE COPYRIGHT OF THIS DRAWING WHICH IS NOT TO BE COPIED, IN PART OR IN WHOLE TO A THIRD PARTY WITHOUT WRITTEN PERMISSION.

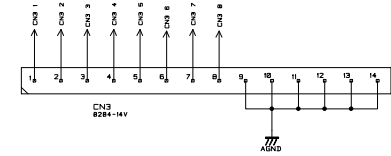
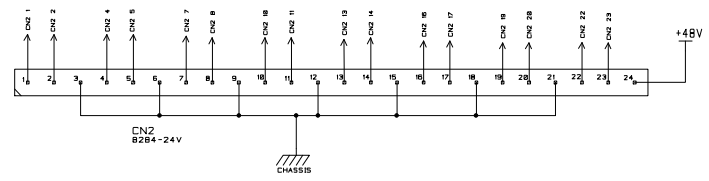
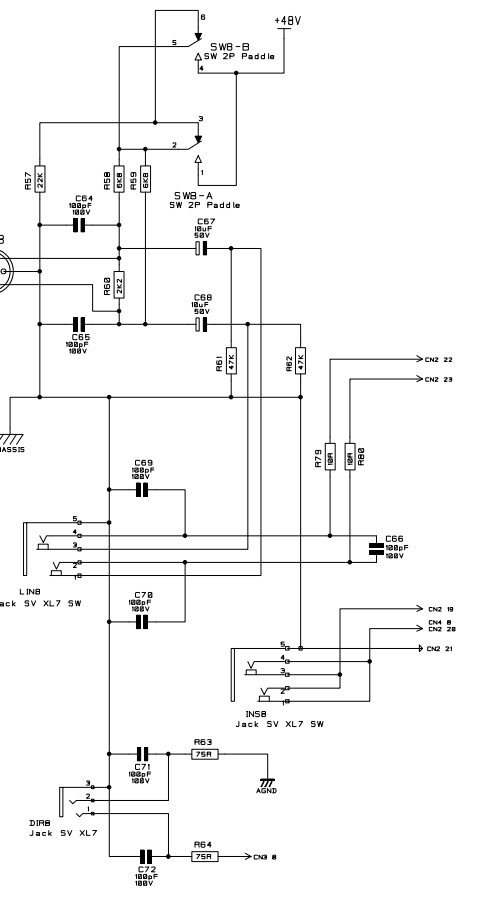
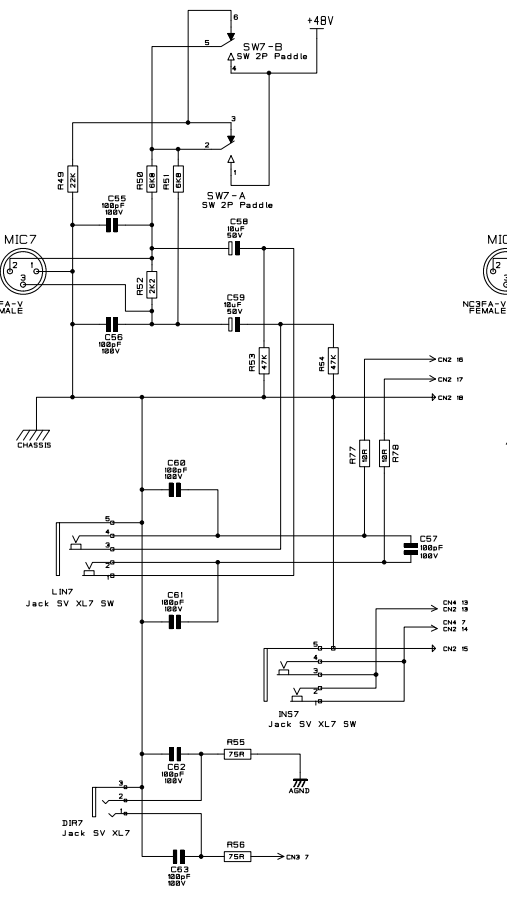
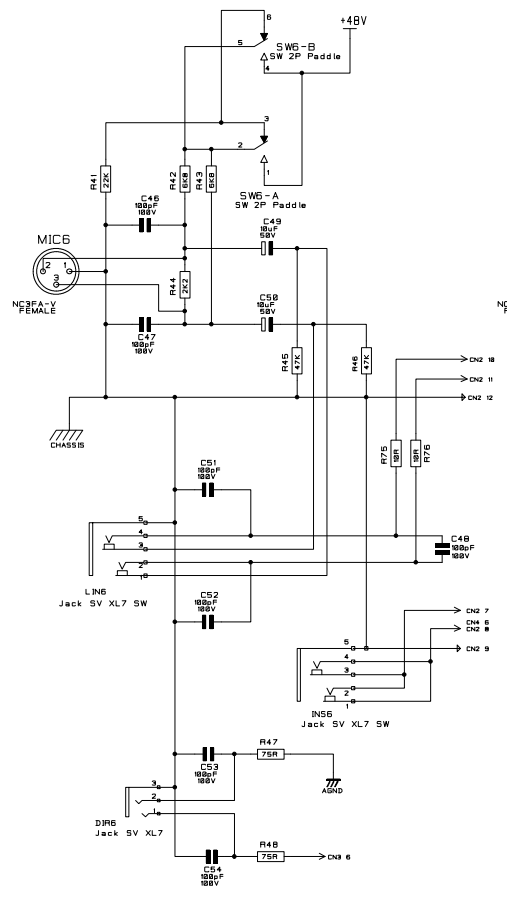
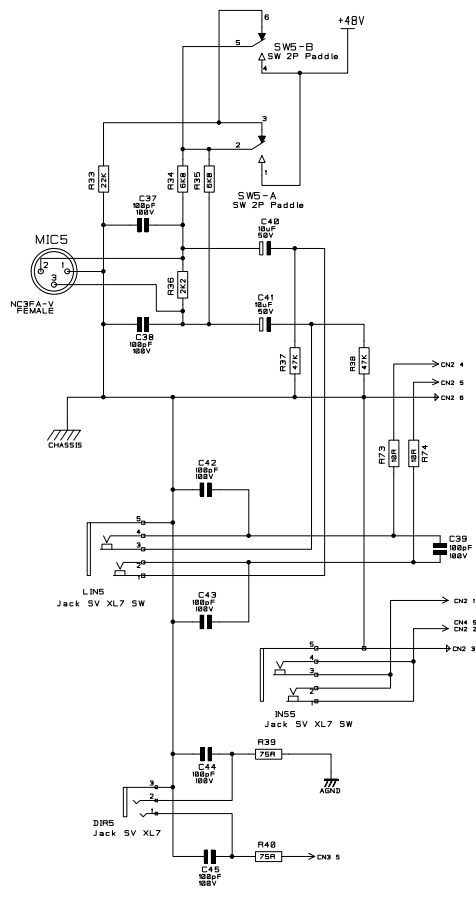
NOTES

DRN. ML  
DATE 03-12-98

SOUNDCRAFT  
HARMAN INT. INDUSTRIES LTD.  
CRANBORNE HOUSE,  
POTTERS BAR,  
HERTS. ENG. 3 JN.  
TEL: 01707 665000  
FAX: 01707 660482

TITLE  
SPIRIT PRO  
REARCONN BOARD

DRG NO. ED4024



SOUNDCRAFT OWNS THE COPYRIGHT OF THIS DRAWING WHICH IS NOT TO BE COPIED, IN PART OR IN WHOLE TO A THIRD PARTY WITHOUT WRITTEN PERMISSION.

NOTES

DRN. ML  
DATE 03-12-98

SOUNDCRAFT  
HARMAN INT. INDUSTRIES LTD.  
CRANBORNE HOUSE,  
CRANBORNE ROAD,  
POTTERS BAR,  
HERTS. ENG. 3 J.N.  
TEL: 01707 665000  
FAX: 01707 660482

TITLE  
SPIRIT PRO  
REARCONN BOARD

DRG NO. ED4024