

- STANDARD INPUT
- MONITOR INPUT
- RECORDING OUTPUT
- PA OUTPUT
- AUX/MASTER
- EFFECTS RETURN (OPTIONAL)

CONSOLE CONFIGURATIONS
 1) RECORDING : STANDARD INPUT, RECORDING OUTPUT.
 2) PA : STANDARD INPUT, PA OUTPUT.
 3) MONITOR : MONITOR INPUT, PA OUTPUT.

EFFECTS RETURN (OPTIONAL)

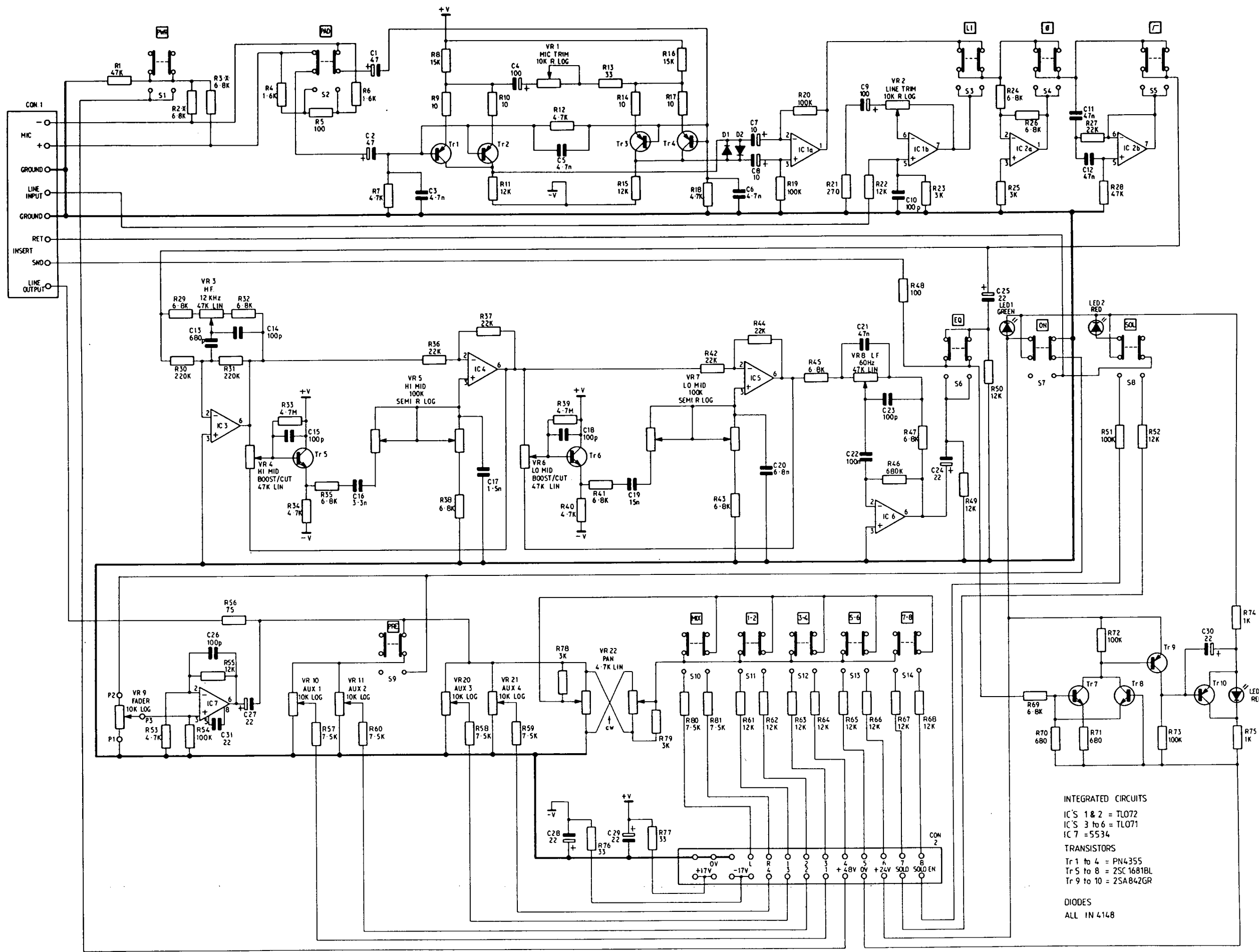
MONITOR INPUT

STANDARD INPUT

RECORDING OUTPUT

PA OUTPUT

80-10-20 Issue 1	NOTES	TOLERANCE	HOLE INDEX	MATL	DRN	SOUNDCRAFT ELECTRONICS LTD 5-8 GREAT SUTTON STREET LONDON EC1 0BK TELEPHONE 01 251 3631/2/3 TELEGRAMS SOUNDCRAFT LON EC1 TELEX UK No 21198 USA No 01 2203	TITLE S800 BLOCK DIAGRAM DRG No ED 2082
		All imperial dimensions : 0.01 All metric dimensions : 0.25mm All angles : 0.50° Unless otherwise stated		FINISH	Mark		
				SCALE	TRCD CHKD		

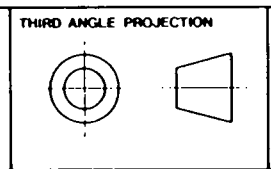


INTEGRATED CIRCUITS
 IC'S 1 & 2 = TL072
 IC'S 3 to 6 = TL071
 IC 7 = 5534

TRANSISTORS
 Tr 1 to 4 = PN4355
 Tr 5 to 8 = 2SC 1681BL
 Tr 9 to 10 = 2SA842GR

DIODES
 ALL IN 4148

Issue 1 20 - 10 - 80	Issue 2 3 - 3 - 81	Issue 3 13 - 11 - 81	Issue 4 16 - 11 - 81
-------------------------	-----------------------	-------------------------	-------------------------



NOTES
 Resistors in ohms
 Capacitors in micro farads
 Unless otherwise stated
 Resistors marked X are 1%
 For part no RA 0161, RB0174

TOLERANCE
 All imperial dimensions ± 0.01
 All metric dimensions $\pm 0.25\text{mm}$
 All angles $\pm 0.50^\circ$
 Unless otherwise stated

HOLE INDEX

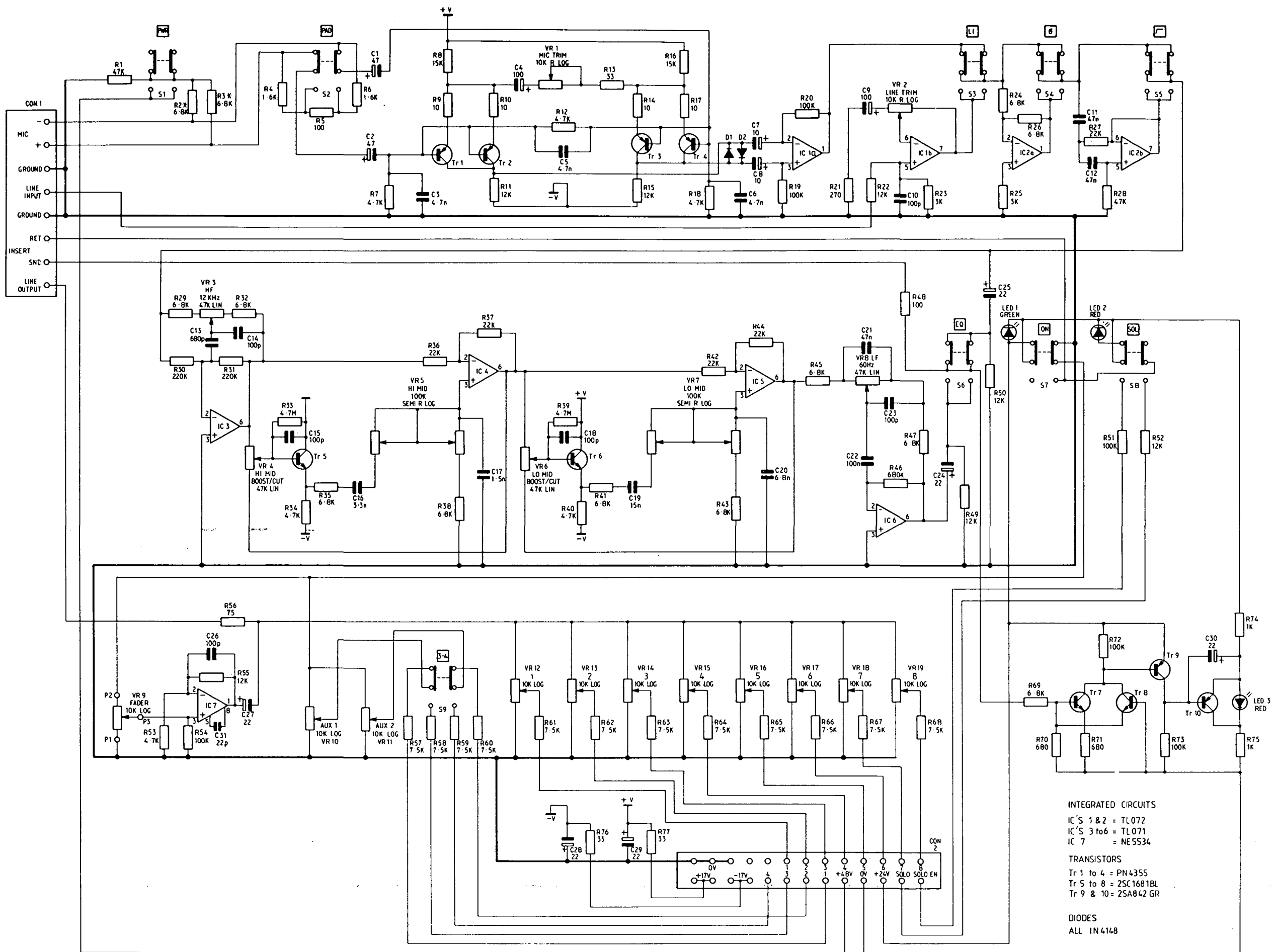
MATL —
 FINISH —
 SCALE —

DRN Barry
 TRCD
 CHKD

SOUNDCRAFT ELECTRONICS LTD
 5-8 GREAT SUTTON STREET
 LONDON EC1V 0BX
 TELEPHONE 01 251 3631/2/3
 TELEGRAMS SOUNDCRAFT LDN EC1
 TELEX UK No 21198. USA No 224408

TITLE S800
 STANDARD INPUT
 CIRCUIT DIAGRAM
 FOR PCB No SC 1179 ISS 1,2,3

DRG No. ED 2074

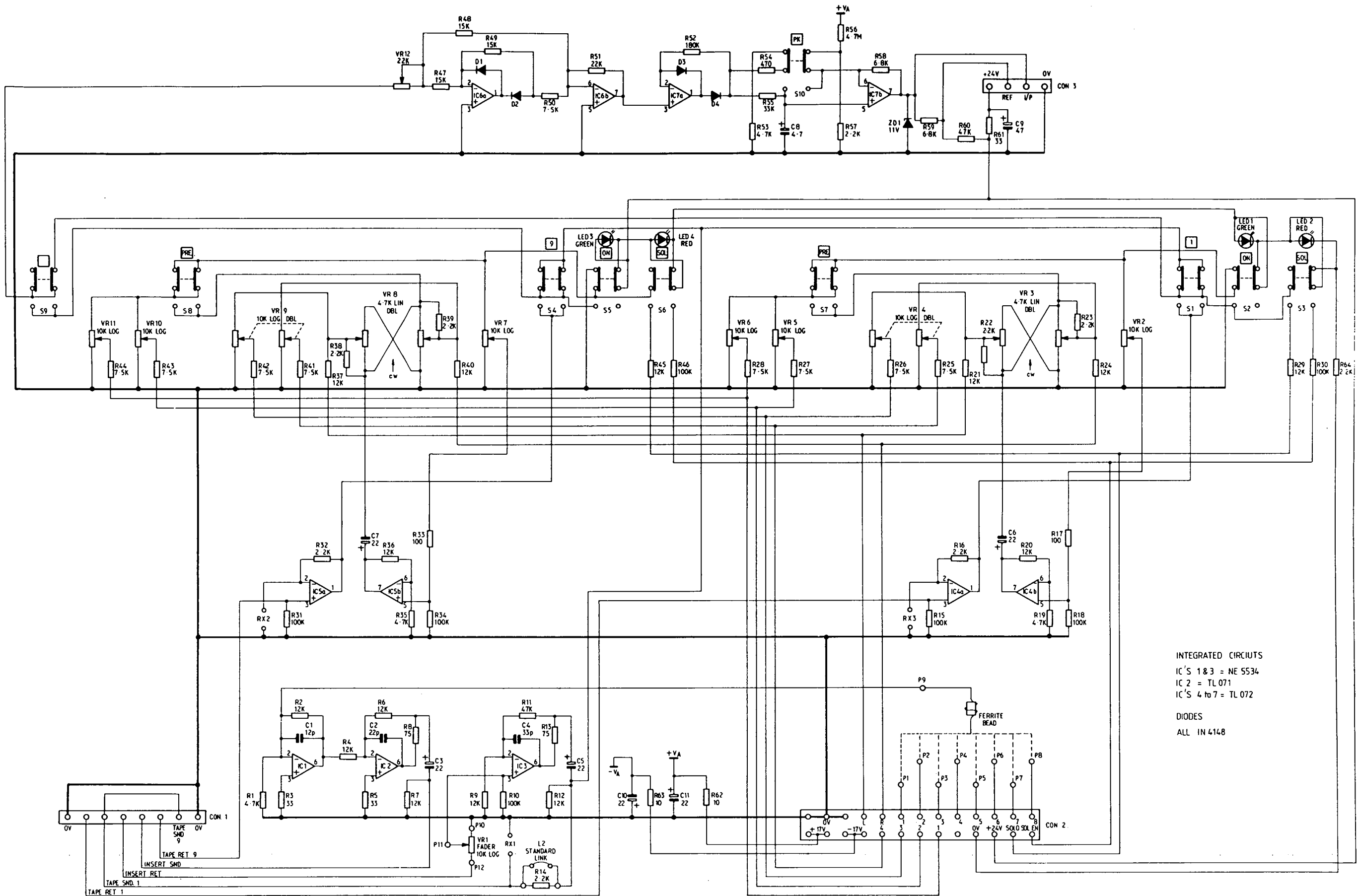


INTEGRATED CIRCUITS
 IC'S 1 & 2 = TL072
 IC'S 3 to 6 = TL071
 IC 7 = NE5534

TRANSISTORS
 Tr 1 to 4 = PN4355
 Tr 5 to 8 = 2SC1681BL
 Tr 9 & 10 = 2SA842 GR

DIODES
 ALL IN4148

Issue 1 20 - 10 - 80 Issue 2 3 - 3 - 81 Issue 3 13 - 11 - 81 Issue 4 18 - 12 - 81	THIRD ANGLE PROJECTION 	NOTES Resistors in ohms Capacitors in micro farads Unless otherwise stated Resistors marked X are 1% For part no RA 0162, R0177	TOLERANCE All imperial dimensions ± 0.01 All metric dimensions ± 0.25mm All angles ± 0.50° Unless otherwise stated	HOLE INDEX	MATL — FINISH — SCALE —	DRN Barry TRCD CHKD	SOUNDCRAFT ELECTRONICS LTD 5-8 GREAT SUTTON STREET LONDON EC1V 0BX. TELEPHONE 01 251 3631/2/3 TELEGRAMS SOUNDCRAFT LDN EC1 TELEX. UK No. 21198. USA No. 224408	TITLE S800 MON INPUT INPUT CIRCUIT DIAGRAM FOR SC1181 ISS 1,2 ORG No. ED2075
--	----------------------------	--	--	------------	-------------------------------	---------------------------	---	--



INTEGRATED CIRCUITS
 IC'S 1 & 3 = NE 5534
 IC 2 = TL 071
 IC'S 4 to 7 = TL 072
 DIODES
 ALL IN 4148

ISSUE 1
 20-10-80
 ISSUE 2
 3-3-81
 ISSUE 3
 13-11-81

NOTES
 Resistors in ohms
 Capacitors in micro farads
 Unless otherwise stated
 For part no RA 0163
 RB 0178

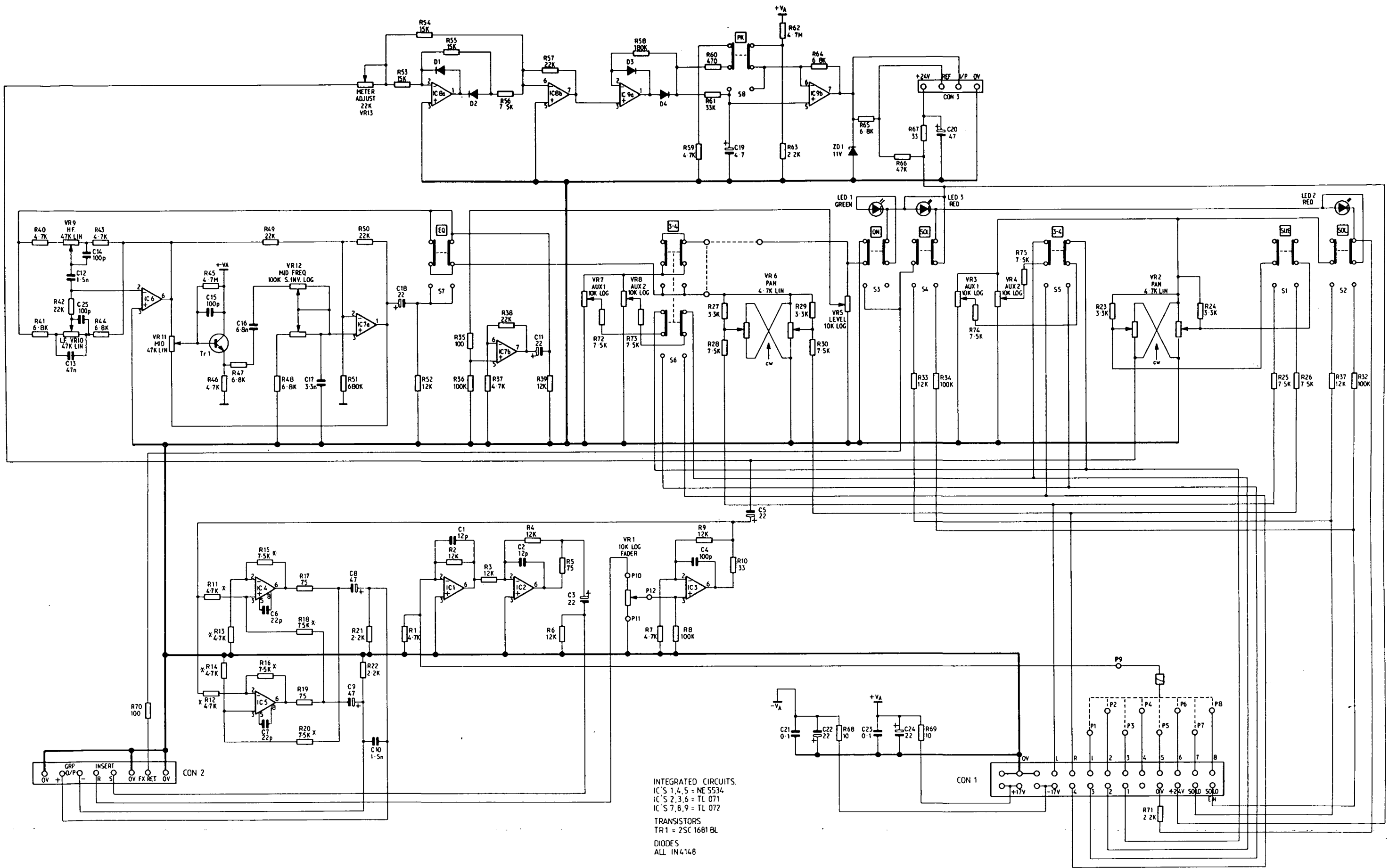
TOLERANCE
 All imperial dimensions ± 0.01
 All metric dimensions $\pm 0.25\text{mm}$
 All angles $\pm 0.50^\circ$
 Unless otherwise stated

HOLE INDEX
 MATL —
 FINISH —
 SCALE —

DRN Barry
 TRCD
 CHKD

SOUNDCRAFT ELECTRONICS LTD
 5 8 GREAT SUTTON STREET
 LONDON EC1 0BX
 TELEPHONE 01 251 3631/2/3
 TELEGRAMS SOUNDCRAFT LDN EC1
 TELEX UK No 21198. USA No 01 2203

TITLE S 800
 RECORDING OUTPUT
 CIRCUIT DIAGRAM
 FOR SC 1180 ISS 1,2
 DRG No. ED 2076

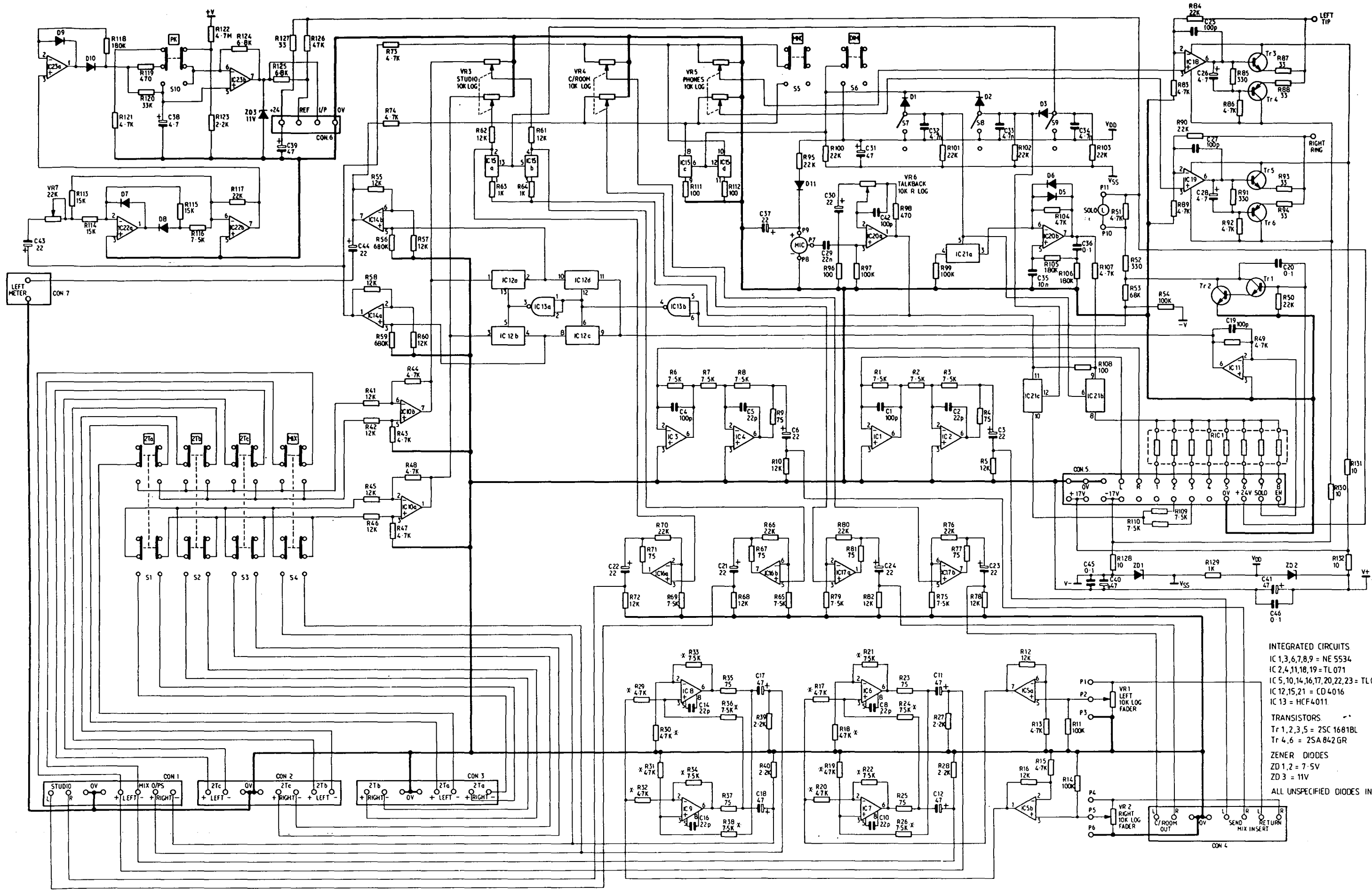


INTEGRATED CIRCUITS.
 IC'S 1, 4, 5 - NE 5534
 IC'S 2, 3, 6 - TL 071
 IC'S 7, 8, 9 - TL 072

TRANSISTORS
 TR1 = 2SC 1681 BL

DIODES
 ALL IN4148

Issue 1 10 - 10 - 80	Issue 2 21 - 1 - 81	Issue 3 3 - 3 - 81	Issue 4 13 - 11 - 81	NOTES Resistors in ohms Capacitors in micro farads Unless otherwise stated Resistors marked X are 1% For part no RA 0169 RB 0176	TOLERANCE All imperial dimensions ± 0.01 All metric dimensions ± 0.25mm All angles ± 0.5° Unless otherwise stated	HOLE INDEX	MATL ---	DRN Barry	SOUNDCRAFT ELECTRONICS LTD 5-8 GREAT SUTTON STREET LONDON EC1 OBX TELEPHONE 01 251 3631/2/3 TELEGRAMS SOUNDCRAFT LDN EC1 TELEX UK No 21198 USA No 01 2203	TITLE S800 PA OUTPUT CIRCUIT DIAGRAM FOR SC 1190 ISS 1,2
							FINISH ---	TRCD		DRG No ED 2080
							SCALE	CHKD		



- INTEGRATED CIRCUITS
 IC 1,3,6,7,8,9 = NE 5534
 IC 2,4,11,18,19 = TL071
 IC 5,10,14,16,17,20,22,23 = TL072
 IC 12,15,21 = CD4016
 IC 13 = HCF4011
- TRANSISTORS
 Tr 1,2,3,5 = 2SC 1681BL
 Tr 4,6 = 2SA 842GR
- ZENER DIODES
 ZD 1,2 = 7.5V
 ZD 3 = 11V
- ALL UNSPECIFIED DIODES IN4148

Issue 1
21 - 10 - 80
 Issue 2
21 - 1 - 81
 Issue 3
3 - 3 - 81
 Issue 4
2 - 11 - 81
 Issue 5
13 - 11 - 81

NOTES
 Resistors in ohms
 Capacitors in micro farads
 Unless otherwise stated
 Resistors marked X are 1%
 For part no RA 0164, RB0180

TOLERANCE
 All imperial dimensions ± 0.01
 All metric dimensions ± 0.25mm
 All angles ± 0.50°
 Unless otherwise stated

HOLE INDEX

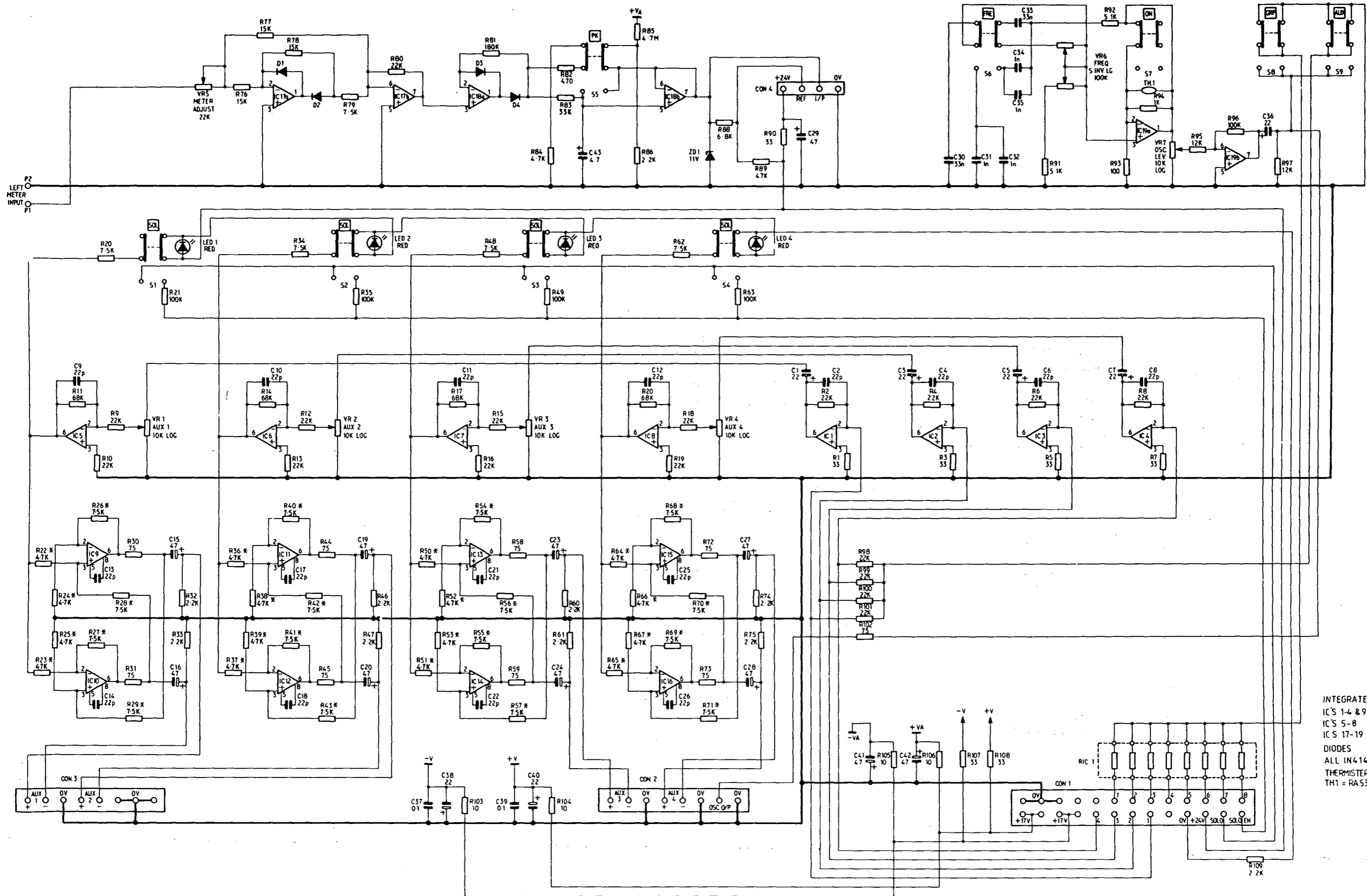
MATL —
 FINISH —
 SCALE —

DRN Barry
 TRCD
 CHKD

SOUNDCRAFT ELECTRONICS LTD
 5-8 GREAT SUTTON STREET
 LONDON EC1 0BX
 TELEPHONE 01 251 3631/2/3
 TELEGRAMS SOUNDCRAFT LDN EC1
 TELEX UK No 21198 USA No 01-2203

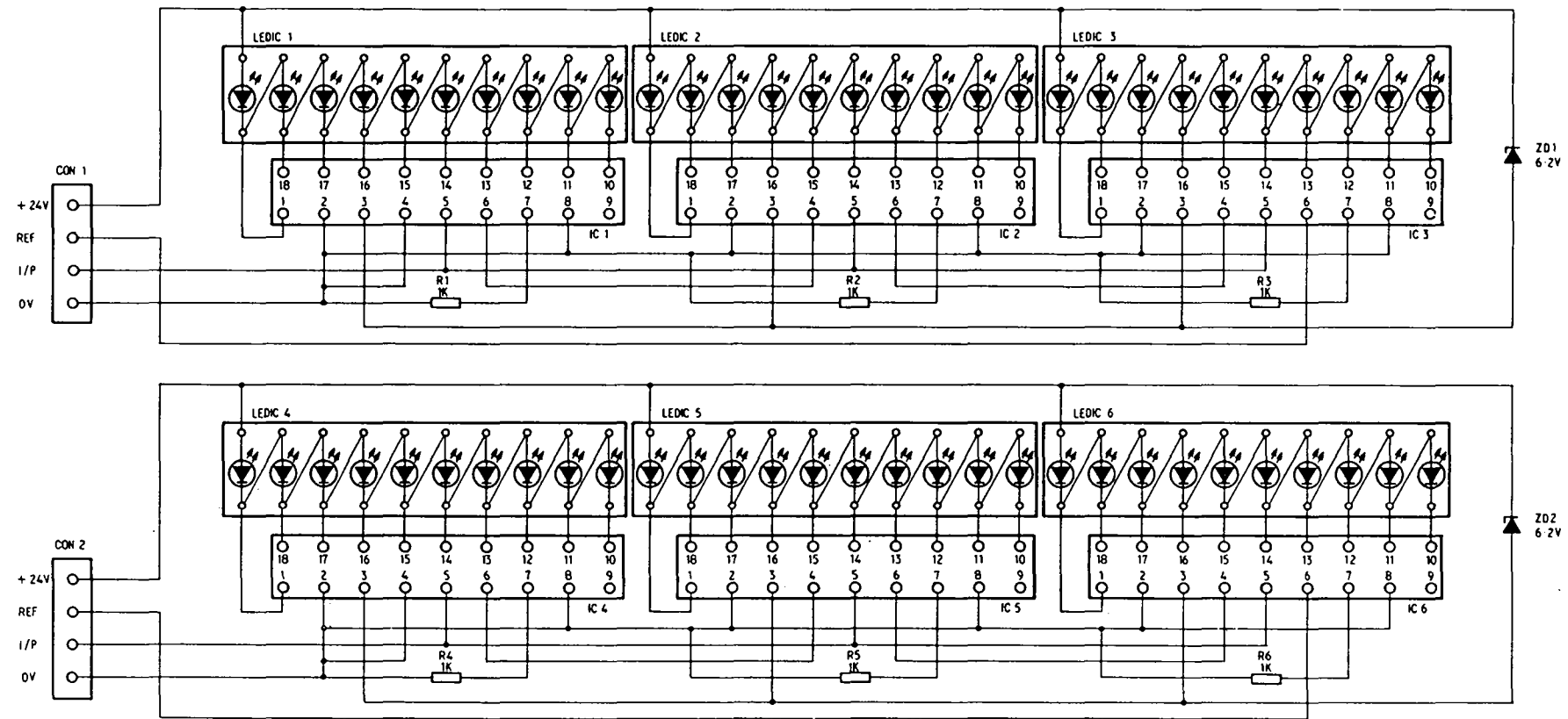
TITLE S800
 MASTER CIRCUIT DIAGRAM
 FOR SC1182 ISS 1,2

DWG No ED 2077



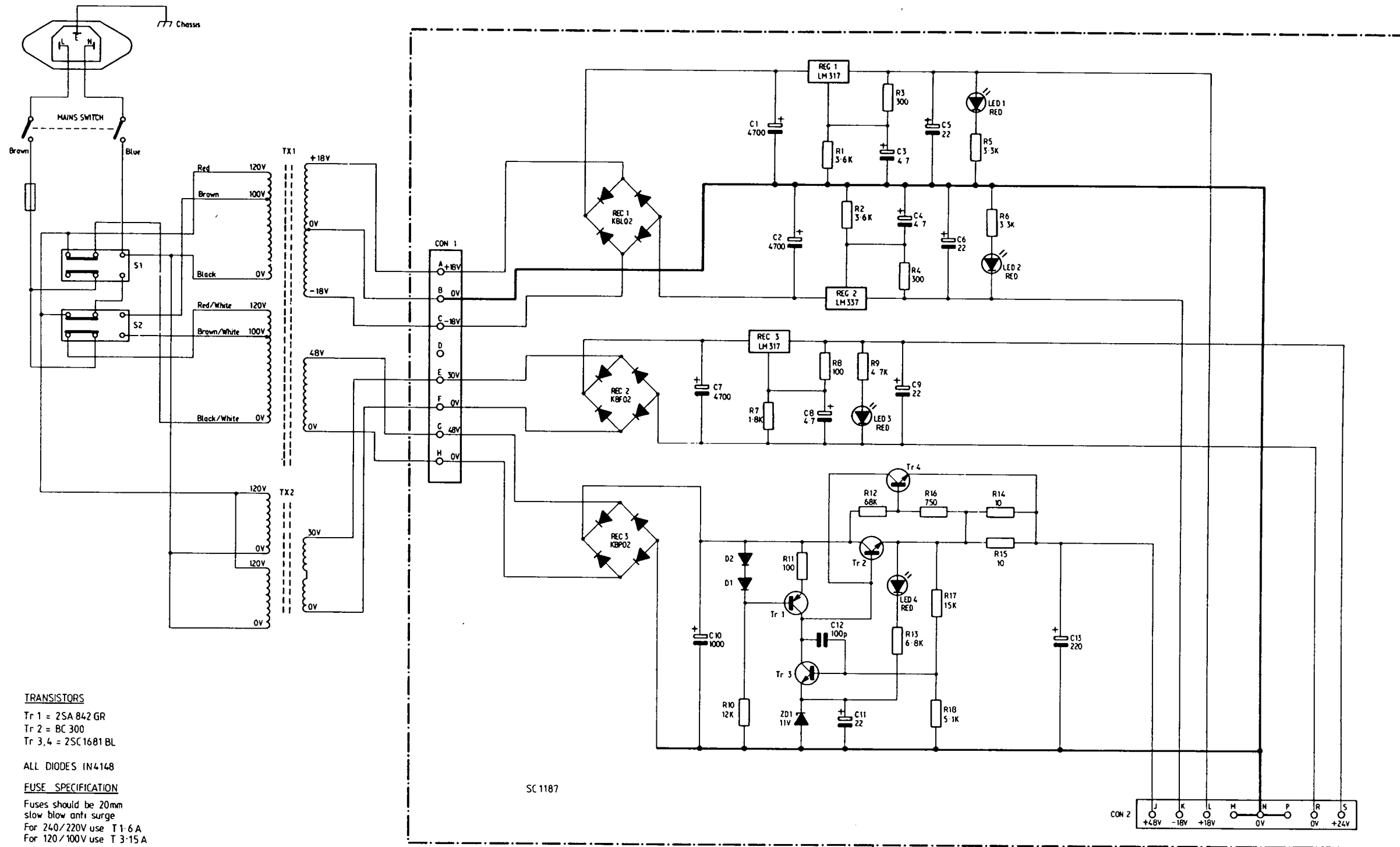
INTEGRATED CIRCUITS
 IC'S 1-4 & 9-16 = NE5534
 IC'S 5-8 = TL071
 IC'S 17-19 = TL072
 DIODES
 ALL IN4148
 THERMISTER
 TH1 = RAS3

Issue 1 1 - 10 - 80	Issue 2 21 - 1 - 81	Issue 3 3 - 3 - 81	Issue 4 13 - 11 - 81	NOTES Resistors in ohms Capacitors in micro farads Unless otherwise stated For part no RA 0165, R80179 Resistors marked X are 1%	TOLERANCE All imperial dimensions ± 0.01 All metric dimensions ± 0.25mm All angles ± 0.50° Unless otherwise stated	HOLE INDEX	MATL —	DRN Barry	SOUNDCRAFT ELECTRONICS LTD 5-8 GREAT SUTTON STREET LONDON EC1 OBX TELEPHONE 01 251 3631/2/3 TELEGRAMS SOUNDCRAFT LDN EC1 TELEX UK No 21198 USA No 01-2203	TITLE S800 AUX MASTER CIRCUIT DIAG FOR SC1184 ISS 1,2 DRG No EQ 2079
				SCALE —			FINISH —	CHKD		



IC 1-6 = LM3914
 LED IC'S 1,2,4,5 = LED ARRAY GREEN
 LED IC'S 3,6 = LED ARRAY RED

Issue 1 5.11.80	NOTES	TOLERANCE	HOLE INDEX	MATL	DRN	SOUNDCRAFT ELECTRONICS LTD 5-8 GREAT SUTTON STREET LONDON EC1 OBX TELEPHONE 01 251 3631/2/3 TELEGRAMS SOUNDCRAFT LDN EC1 TELEX UK No 21198 USA No 01 2203	TITLE
	Resistors in ohms Capacitors in micro farads Unless otherwise stated	All imperial dimensions ± 0.01 All metric dimensions $\pm 0.25\text{mm}$ All angles $\pm 0.50^\circ$ Unless otherwise stated		---	Barry		S800 LED PCB CIRCUIT DIAGRAM FOR SC 1185 ISS 1
	For part no RA 0166			FINISH	TRCD		
				SCALE	CHKD		DRG No ED 2084



TRANSISTORS

Tr 1 = 2SA 842 GR
 Tr 2 = BC 300
 Tr 3, 4 = 2SC1681 BL

ALL DIODES IN4148

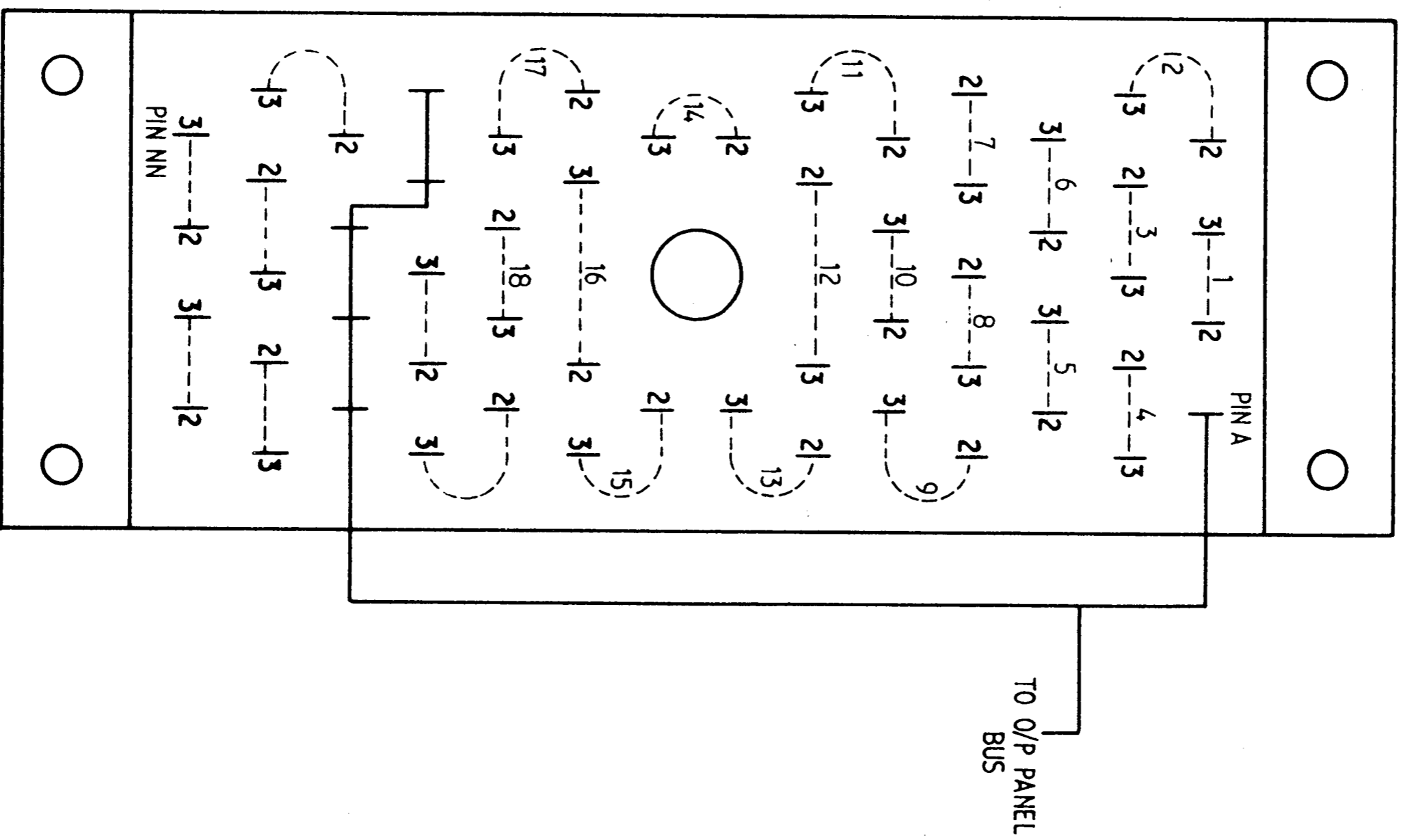
FUSE SPECIFICATION

Fuses should be 20mm slow blow anti surge
 For 240/220V use T1-6A
 For 120/100V use T3-15A

SC1187

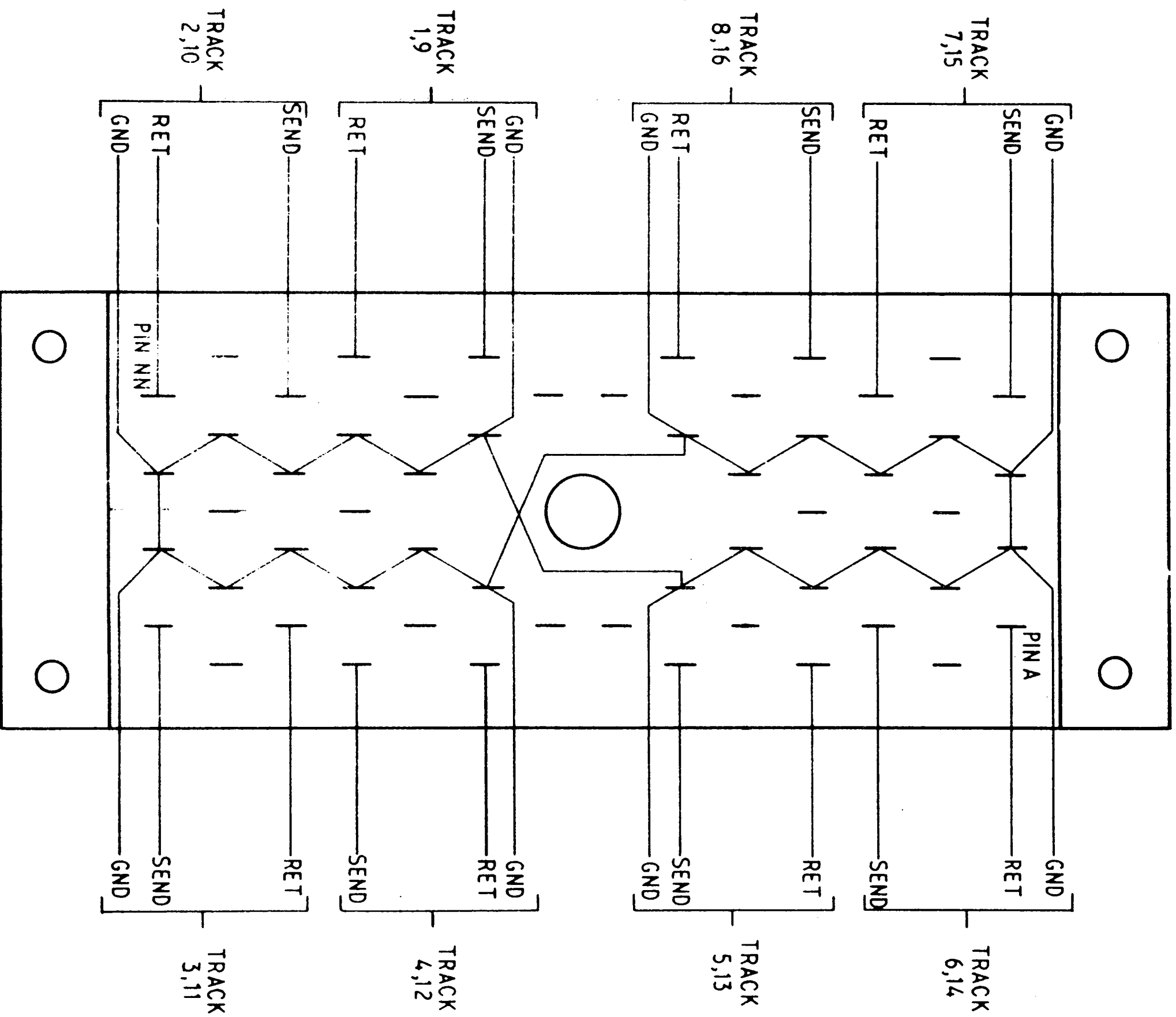
Issue 1 28 - 10 - 80 Issue 2 3 - 3 - 81 Issue 3 23 - 9 - 81 Issue 4 Fuse spec changed 15 - 10 - 81	NOTES	TOLERANCE	HOLE INDEX	MATL	DRN	SOUNDCRAFT ELECTRONICS LTD 5-8 GREAT SUTTON STREET LONDON EC1 0BK TELEPHONE 01 251 3631/2/3 TELEGRAMS SOUNDCRAFT LDN EC1 TELEX UK No 21198 USA No 01 2203	TITLE	
	Resistors in ohms Capacitors in micro farads Unless otherwise stated For part nos RA0168 RB0181	All imperial dimensions ± 0.01 All metric dimensions ± 0.25mm All angles ± 0.50° Unless otherwise stated			—		Barry	S800
					FINISH		TRCD	POWER SUPPLY CIRCUIT DIAGRAM FOR SC1187 ISS 1,2
					SCALE		CHKD	DRG No ED 2083

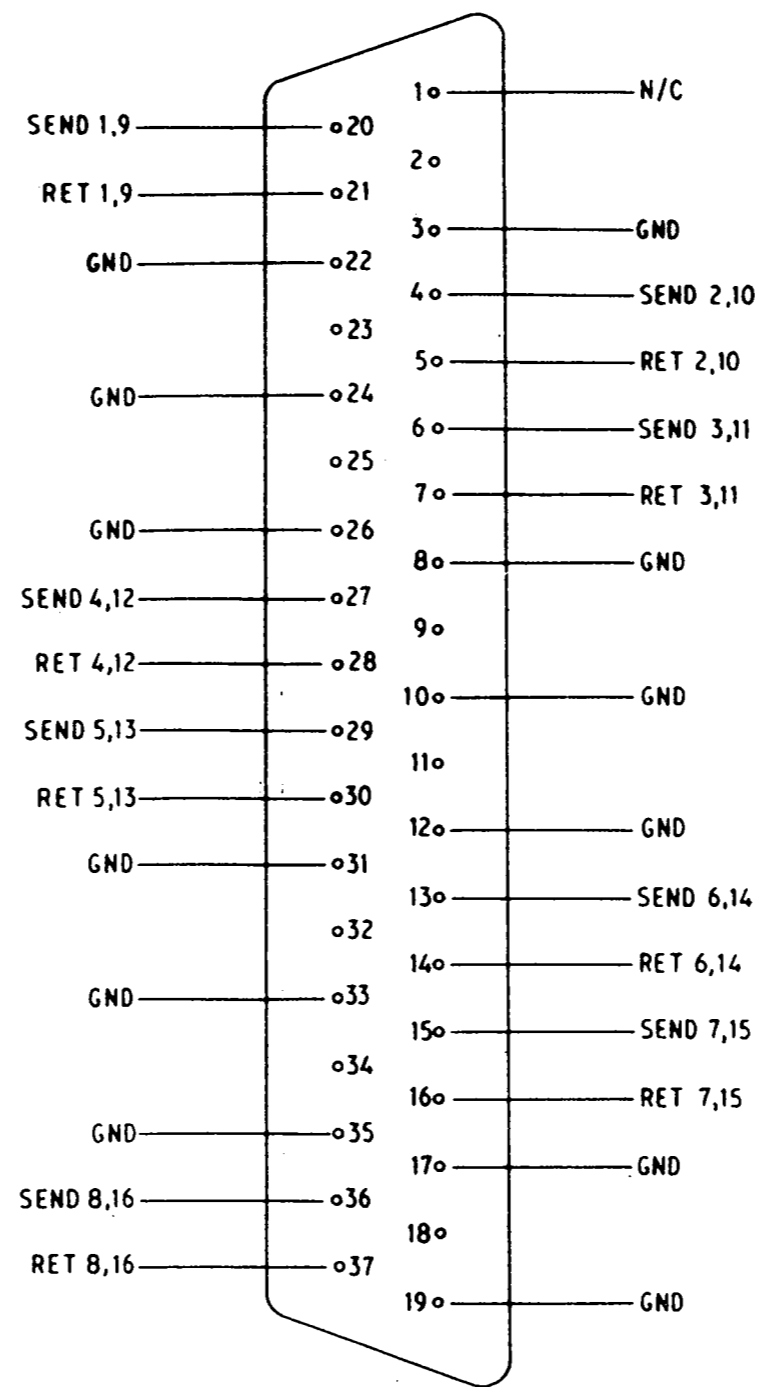
S800 MIC MULTICORE CONNECTIONS
 VIEWED FROM SOLDER PIN SIDE OF FREE CONNECTOR



NOTE: FOR 32 CHANNEL S800, USE 1-16 ONLY, ON EACH VARELCO. NUMBERS REFER TO XLR PIN NUMBERS.

S 800 VARELCO TAPE MACHINE INTERFACE
 VIEWED FROM SOLDER PIN SIDE OF FREE CONNECTOR.

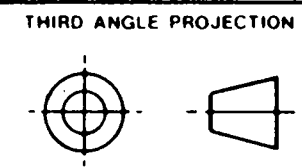
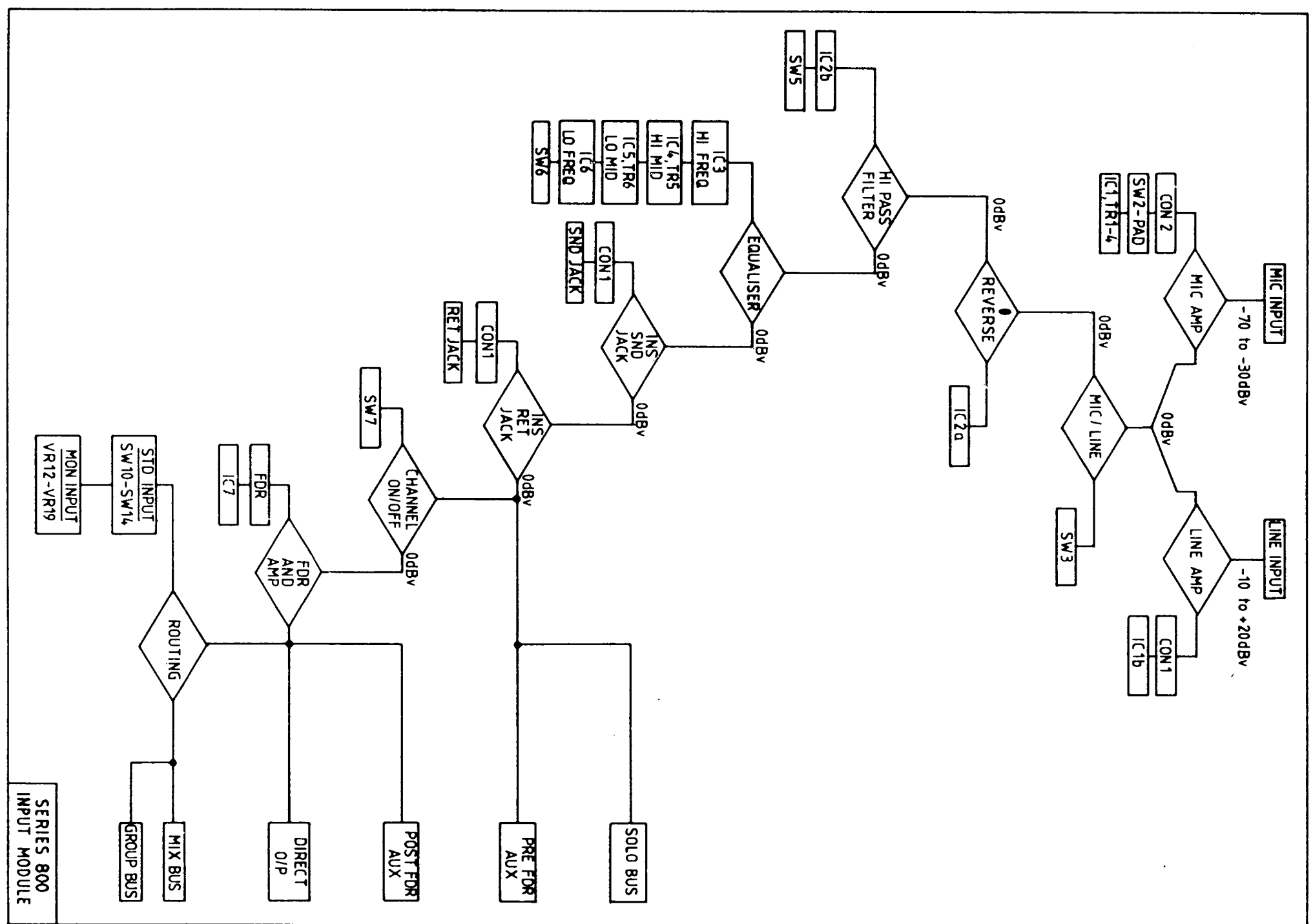




VIEWED FROM PINS OF MIXER SOCKET OR
SOLDER PINS OF FREE CONNECTOR.

<p>THIRD ANGLE PROJECTION</p>	<p>TOLERANCE</p> <p>All imperial dimensions ± 0.01 All metric dimensions $\pm 0.25\text{mm}$ All angles $\pm 0.50^\circ$ Unless otherwise stated</p>	<p>HOLE INDEX</p>	MATL	DRN	<p>SOUNDCRAFT ELECTRONICS LTD 5-8 GREAT SUTTON STREET LONDON EC1V 0BX TELEPHONE 01 251 3831/2/3 TELEGRAMS SOUNDCRAFT LDN EC1 TELEX UK.No.21198 USA.No.224408</p>	TITLE
			FINISH	MARK		S800
			SCALE	TRCD		TAPE INTERFACE 'D' TYPE
				CHKD		DRG No. MI 2166

ISSUE 1
9 - 1 - 81



TOLERANCE

HOLE INDEX

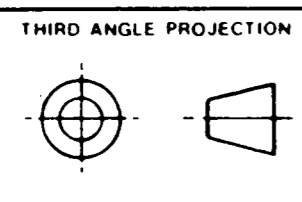
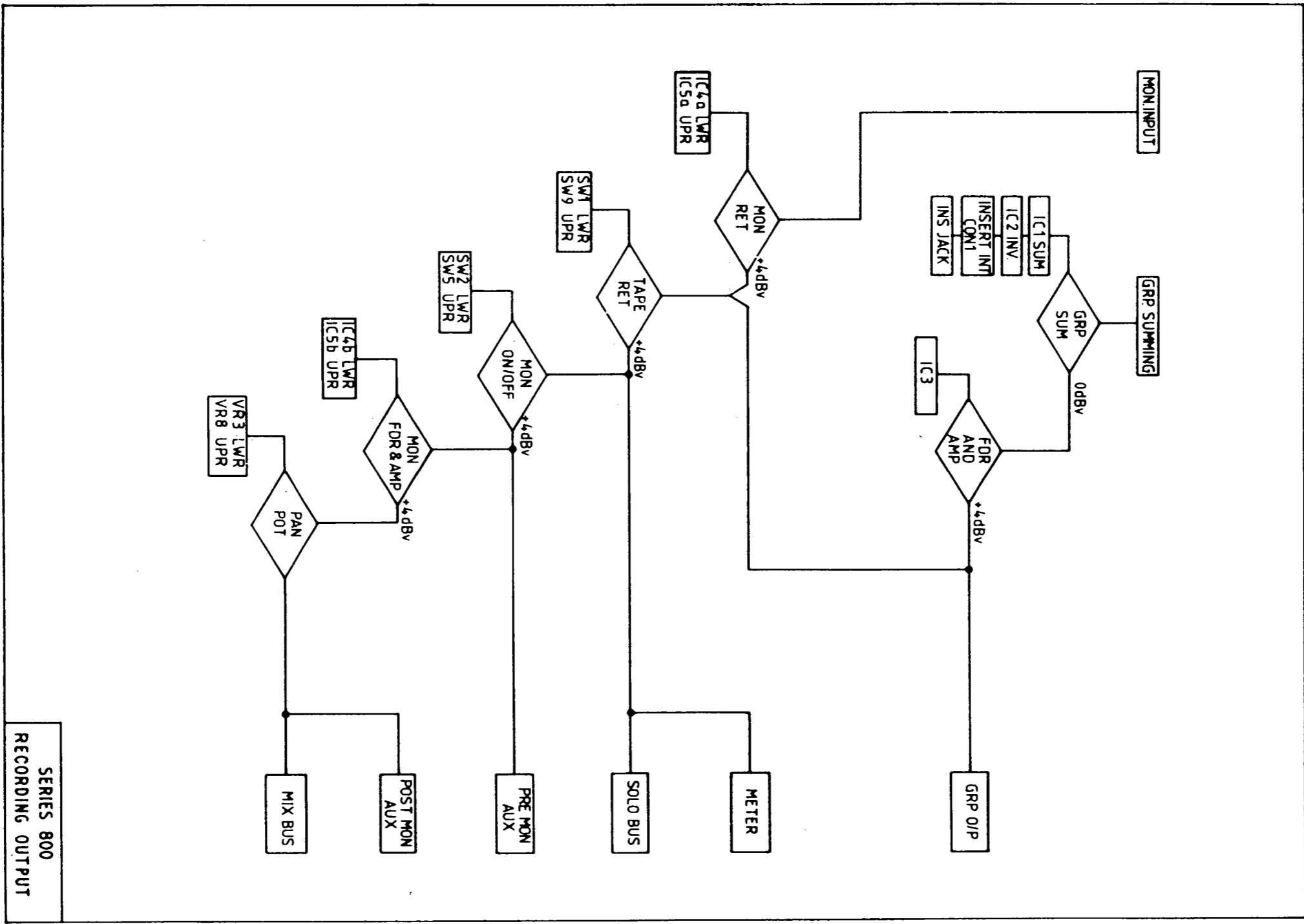
MATL
FINISH
SCALE

DRM
MARK
TRCD
CHKD

SOUNDCRAFT ELECTRONICS LTD
5-8 GREAT SUTTON STREET
LONDON EC1V 0BX
TELEPHONE 01-251-3631/2/3
TELEGRAMS SOUNDCRAFT LDN EC1
TELEX UK No 21198 USA No 224408

TITLE
**S 800
INPUT MODULE**
DRG. No. MI 2157

ISSUE 1
16 - 1 - 81



TOLERANCE

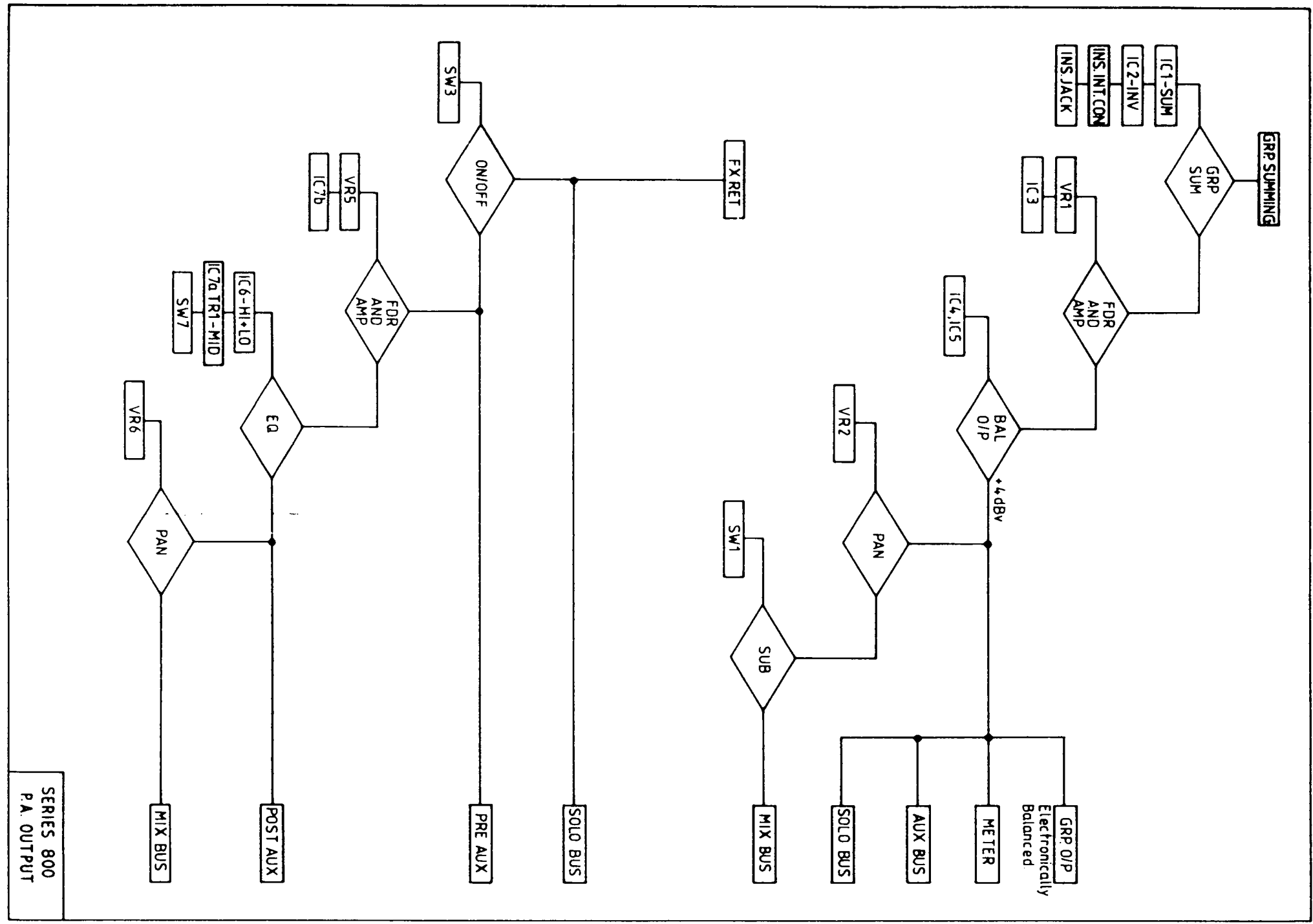
HOLE INDEX

MATL	DRN MARK
FINISH	TRCD
SCALE	CHKD

SOUNDCRAFT ELECTRONICS LTD
5-8 GREAT SUTTON STREET
LONDON EC4V 0BX
TELEPHONE 01-251-3631/2/3
TELEGRAMS SOUNDCRAFT LDN EC1
TELEX UK.No. 21198. U.S.A. No. 224408

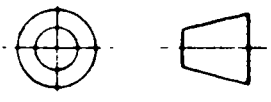
TITLE **S800 RECORDING OUTPUT**
DRG. No. MI 2158

ISSUE 1
16-1-81



SERIES 800
P.A. OUTPUT

THIRD ANGLE PROJECTION



TOLERANCE

HOLE INDEX

MATL

FINISH

SCALE

DRN
MARK

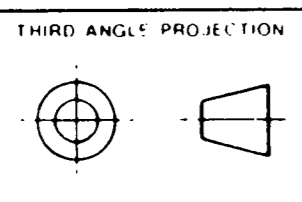
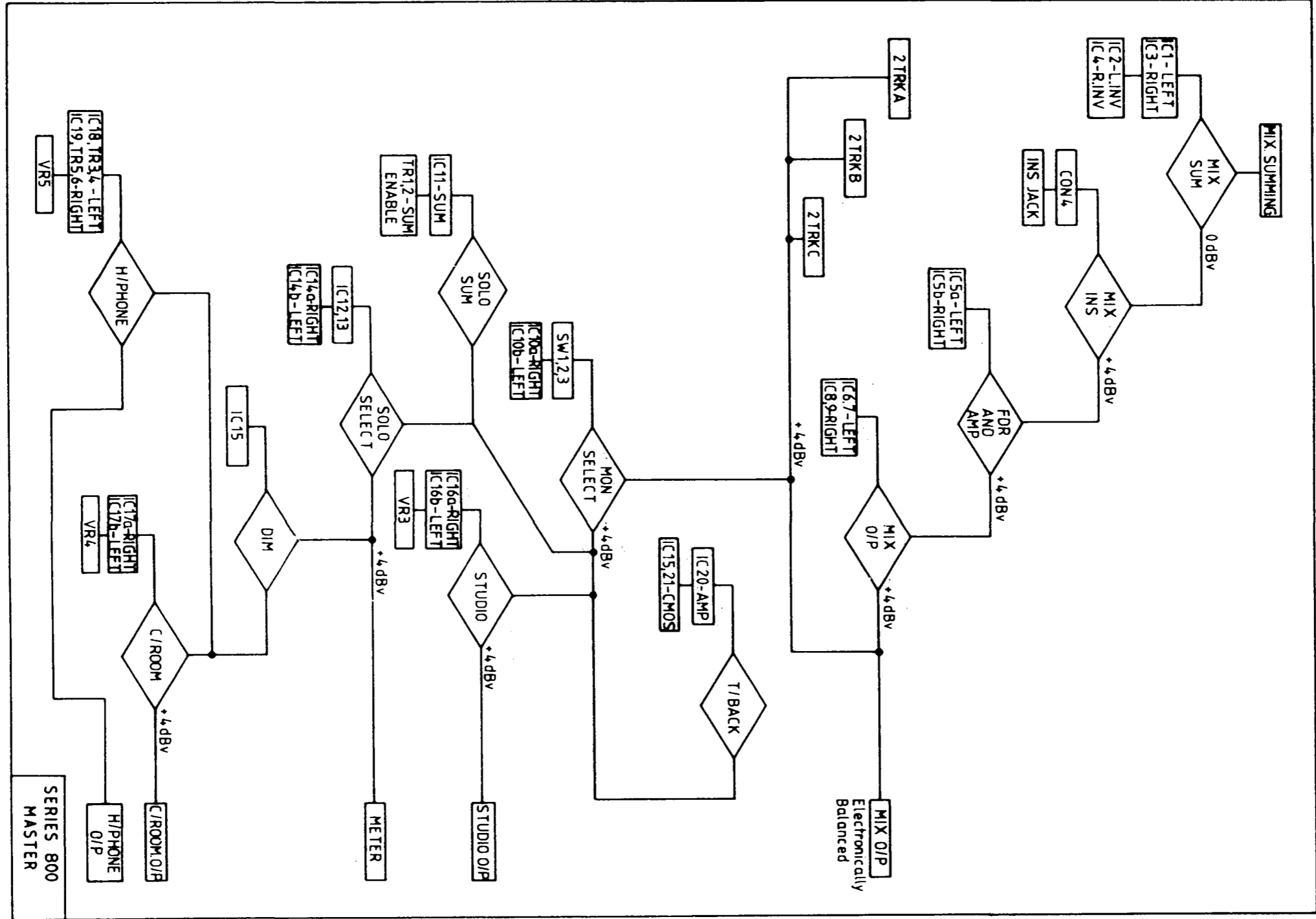
TRCD

CHKD

SOUNDCRAFT ELECTRONICS LTD
5-8 GREAT SUTTON STREET
LONDON EC1V 0BX
TELEPHONE 01-251-3631/2/3
TELEGRAMS SOUNDCRAFT LDN EC1
TELEX UK No 21198 USA No 224408

TITLE
5800
P.A. OUTPUT

DRG No MI 2159



TOLERANCE

HOLE INDEX

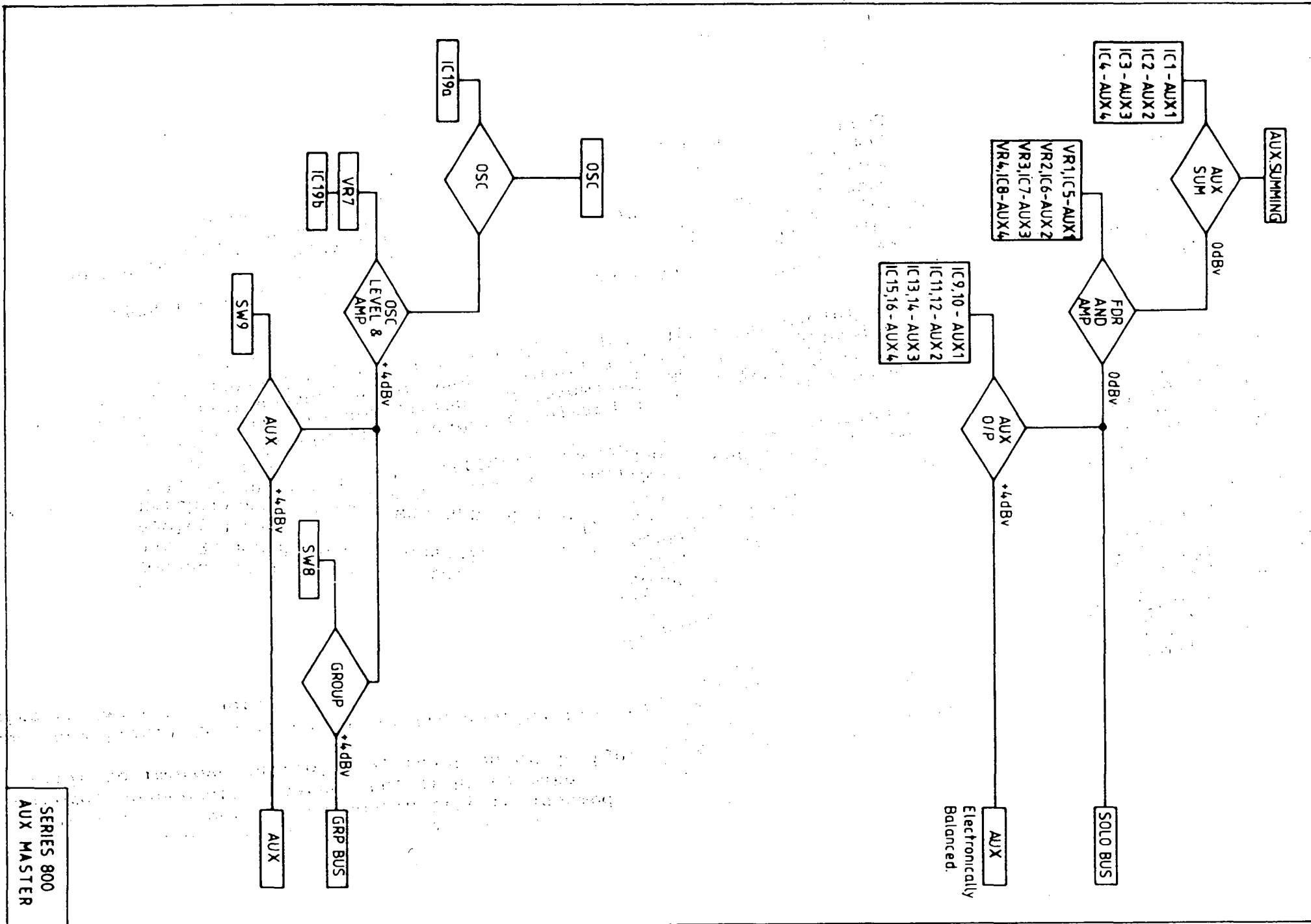
MATL
FINISH
SCALE

DRN
MARK
TRCD
CHKD

SOUNDCRAFT ELECTRONICS LTD
5-8 GREAT SUTTON STREET
LONDON EC1V 0BX
TELEPHONE 01-251-3631/2/3
TELEGRAMS SOUNDCRAFT LDN EC1
TELEX UK No 21198 USA No 224408

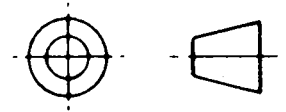
TITLE
**S800
MASTER MODULE**
DRG No **MI 2160**

ISSUE 1
19 - 1 - 81



SERIES 800
AUX MASTER

THIRD ANGLE PROJECTION



TOLERANCE

HOLE INDEX

MATL

FINISH

SCALE

DRN
MARK

TRCD

CHKD

SOUNDCRAFT ELECTRONICS LTD
5-8 GREAT SUTTON STREET
LONDON EC1V 0BX
TELEPHONE 01-251-3631/2/3
TELEGRAMS SOUNDCRAFT LDN EC1
TELEX UK No 21198 USA No 224408

TITLE
S800
AUX MASTER

DRG No MI 2161