

PIN NUMBERS ON IFCN1 CONNECTOR. REPEATED FOR OTHER BLOCKS OF 4 CHANNELS

PRE AMP & EQ

SOUNDCRAFT OWNS THE COPYRIGHT OF THIS DRAWING WHICH IS NOT TO BE COPIED, REPRODUCED OR DISCLOSED, IN PART OR IN WHOLE TO A THIRD PARTY WITHOUT WRITTEN PERMISSION.

NOTES

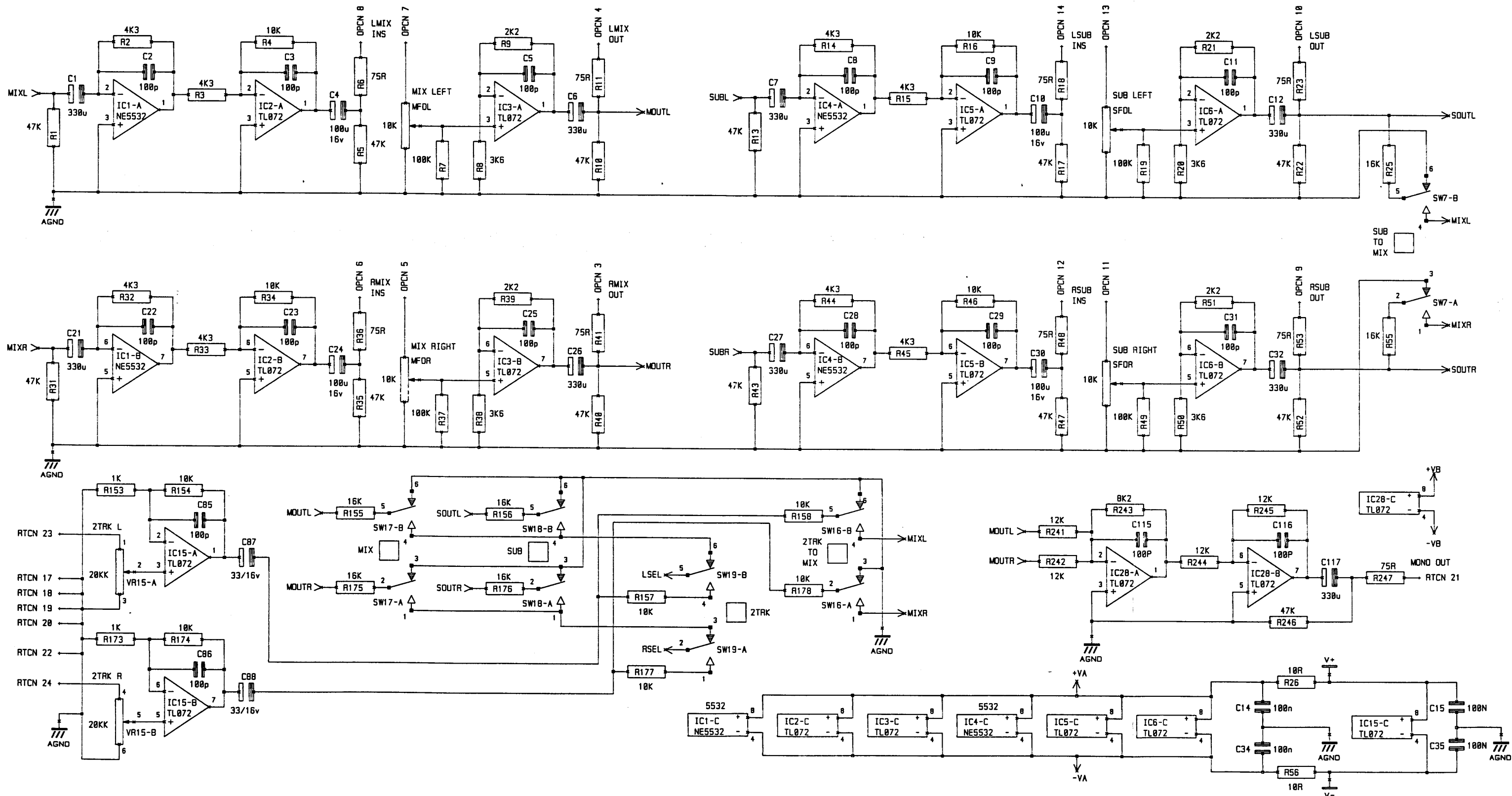
NOTES

SOUNDCRAFT  
HARMAN INT. INDUSTRIES LTD.  
CRANBORNE HOUSE,  
CRANBORNE ROAD,  
POTTERS BAR,  
HERTS. EN6 3JN.  
TEL: 01707 665000  
FAX: 01707 660402

DRN. GH8

TITLE SPIRIT FX16 MONO INPUT  
ORG NO. ED 3897A





SOUNDCRAFT OWNS THE COPYRIGHT OF THIS DRAWING WHICH IS NOT TO BE COPIED, REPRODUCED OR DISCLOSED, IN PART OR IN WHOLE TO A THIRD PARTY WITHOUT WRITTEN PERMISSION.

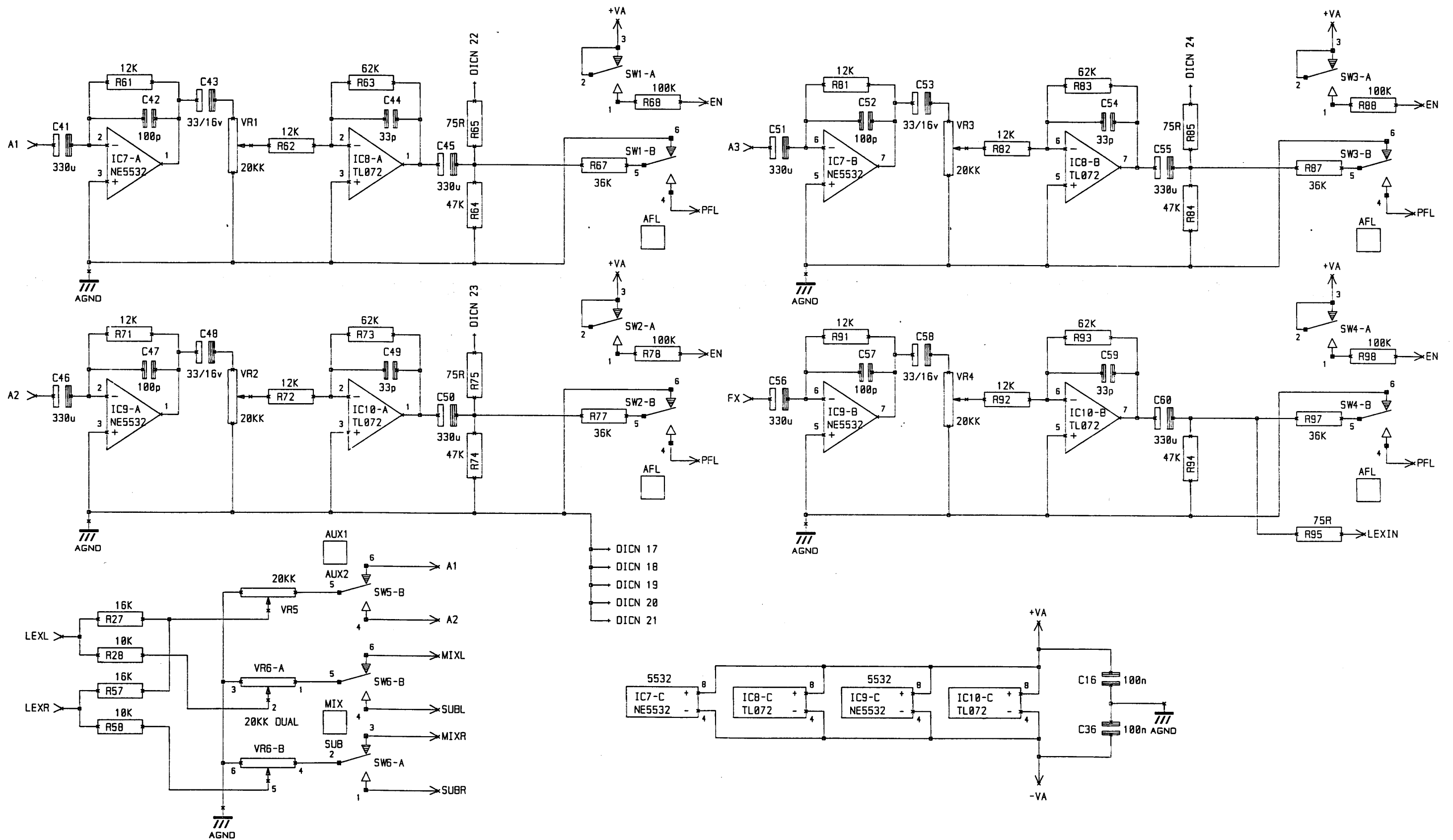
NOTES

SOUNDCRAFT  
HARMAN INT. INDUSTRIES LTD.  
CRANBORNE HOUSE,  
CRANBORNE ROAD,  
POTTERS BAR.  
HERTS., EN6 3JN  
TEL: 01707 665000  
FAX: 01707 660482

DRN. GH8

TITLE SPIRIT FX16  
MASTER 1

ORG NO. ED3897C



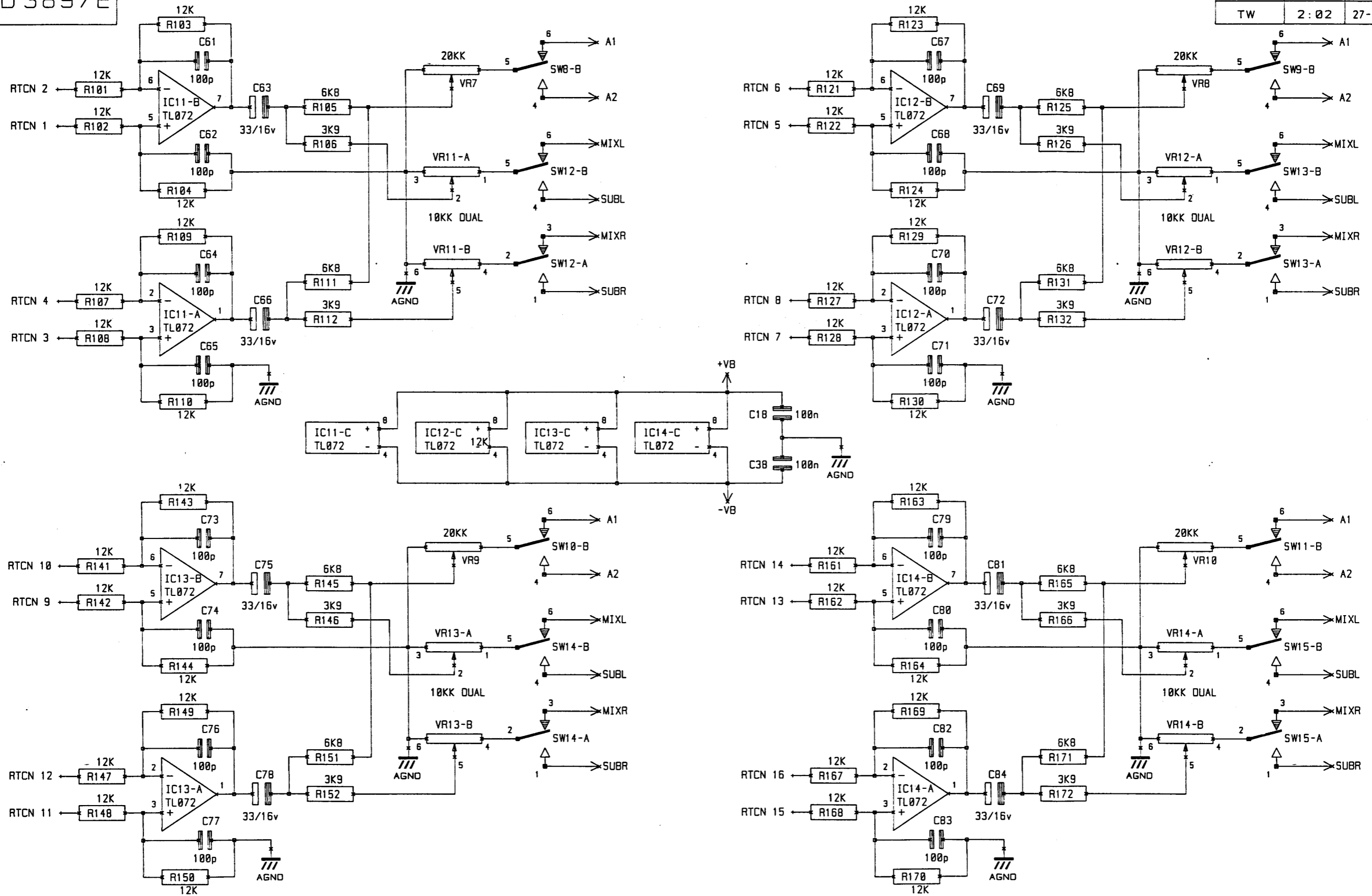
SOUNDCRAFT OWNS THE COPYRIGHT OF THIS DRAWING WHICH IS NOT TO BE COPIED, REPRODUCED OR DISCLOSED, IN PART OR IN WHOLE TO A THIRD PARTY WITHOUT WRITTEN PERMISSION.

NOTES

SOUNDCRAFT  
HARMAN INT. INDUSTRIES LTD.  
CRANBORNE HOUSE,  
CRANBORNE ROAD,  
POTTERS BAR,  
HERTS., EN6 3JN.  
TEL: 01707 665000  
FAX: 01707 660482

DRN. GHB

TITLE SPIRIT FX16  
MASTER 2  
ORG NO. ED3897D  
SHT. 4 OF 7



SOUNDCRAFT OWNS THE COPYRIGHT OF THIS DRAWING WHICH IS NOT TO BE COPIED, REPRODUCED OR DISCLOSED, IN PART OR IN WHOLE TO A THIRD PARTY WITHOUT WRITTEN PERMISSION.

NOTES

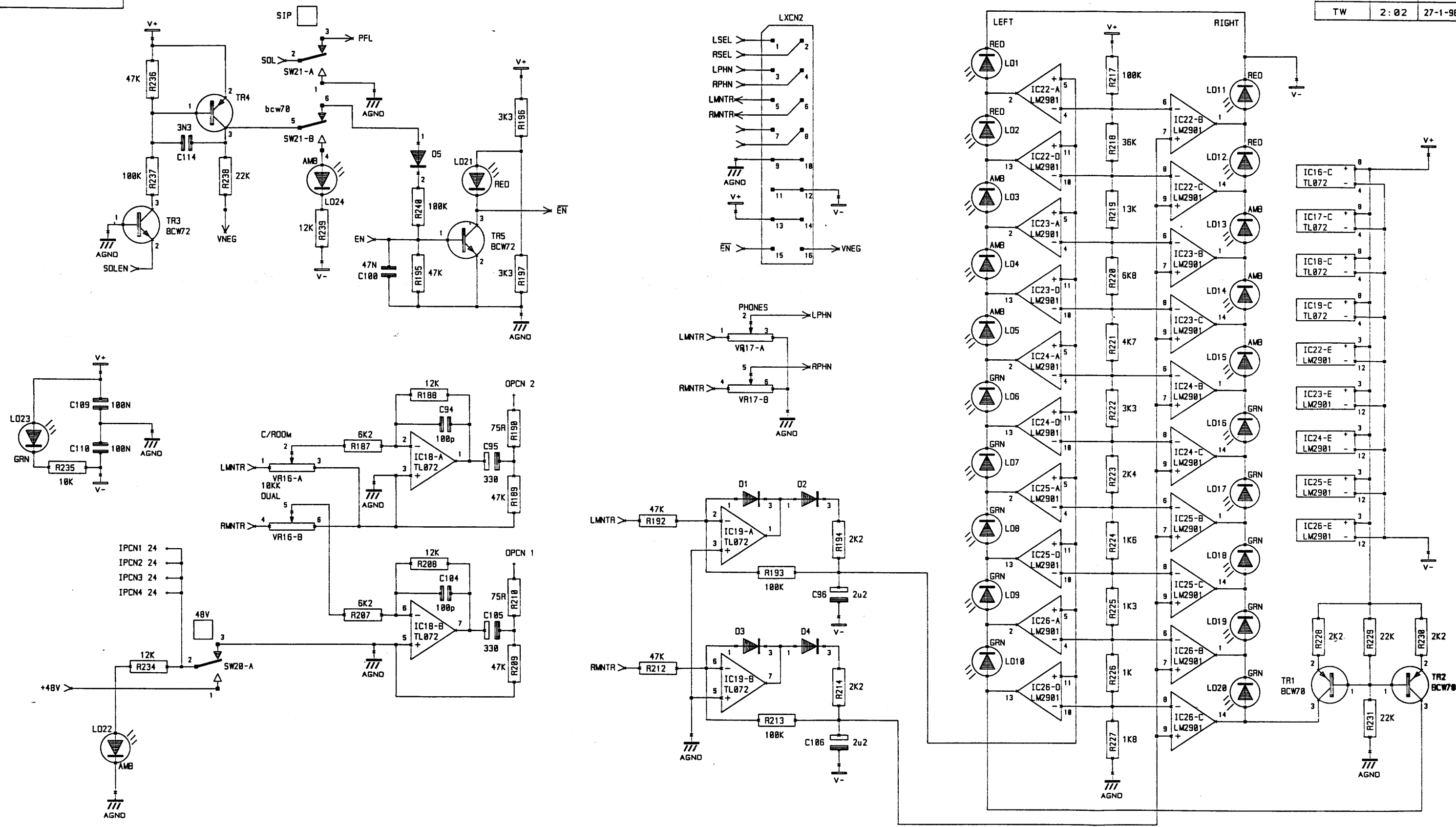
SOUNDCRAFT  
HARMAN INT. INDUSTRIES LTD.  
CRANBORNE HOUSE,  
CRANBORNE ROAD,  
POTTERS BAR,  
HERTS., ENG 3JN.  
TEL: 01707 665000  
FAX: 01707 660482

ORN. GHB

TITLE SPIRIT FX16  
MASTER 3

ORG NO. ED 3897E

INITIAL	ISSUE	DATE
TW	2:02	27-1-98



SOUNDCRAFT OWNS THE COPYRIGHT OF THIS DRAWING WHICH IS NOT TO BE COPIED, REPRODUCED OR DISCLOSED, IN PART OR IN WHOLE TO A THIRD PARTY WITHOUT WRITTEN PERMISSION.

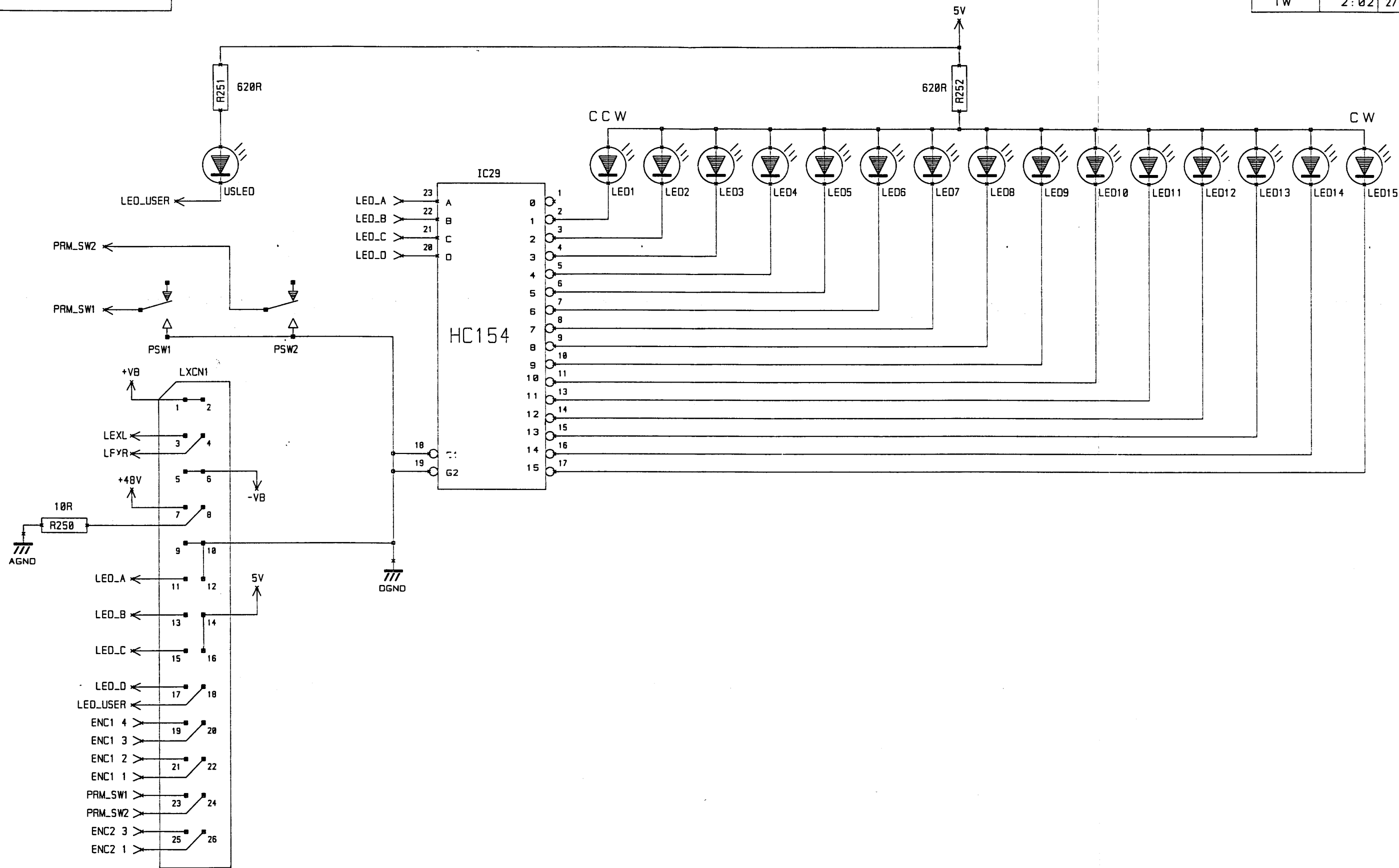
NOTES  
C114 CHANGED FROM 4N7 TO 3N3

SOUNDCRAFT  
HARMAN INT. INDUSTRIES LTD.  
CRANBORNE HOUSE,  
POTTERS BAR,  
HERTS., EN6 3JN  
TEL: 01707 665000  
FAX: 01707 660482

DRN. GHB

TITLE  
SPIRIT FX16  
MASTER D

DRG NO. ED 3897F



SOUNDCRAFT OWNS THE COPYRIGHT OF THIS DRAWING WHICH IS NOT TO BE COPIED, REPRODUCED OR DISCLOSED, IN PART OR IN WHOLE TO A THIRD PARTY WITHOUT WRITTEN PERMISSION.

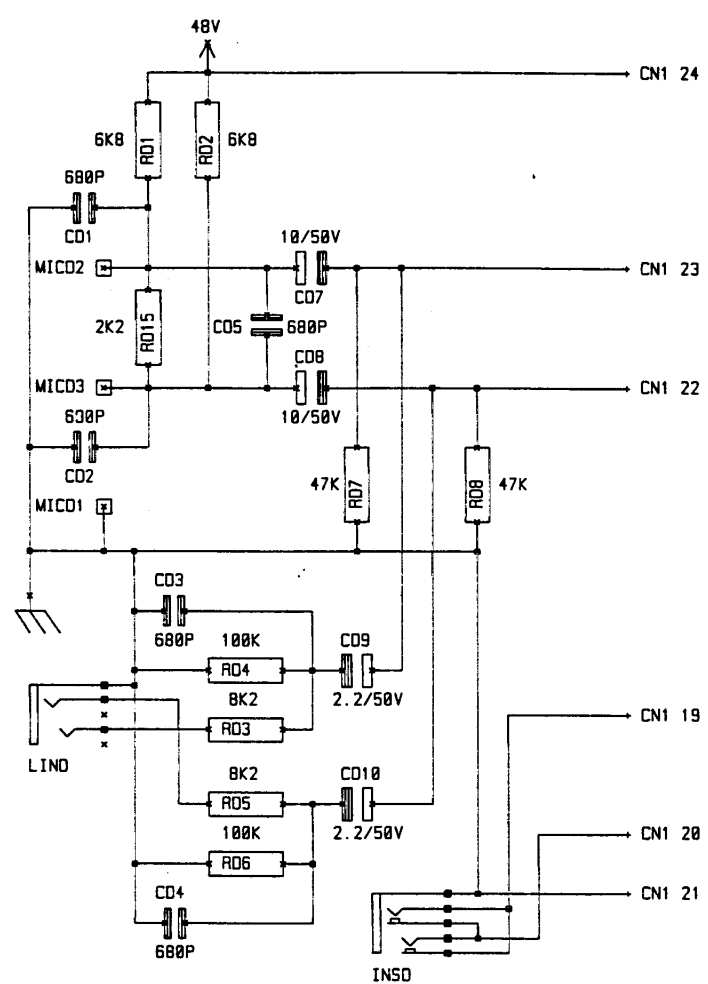
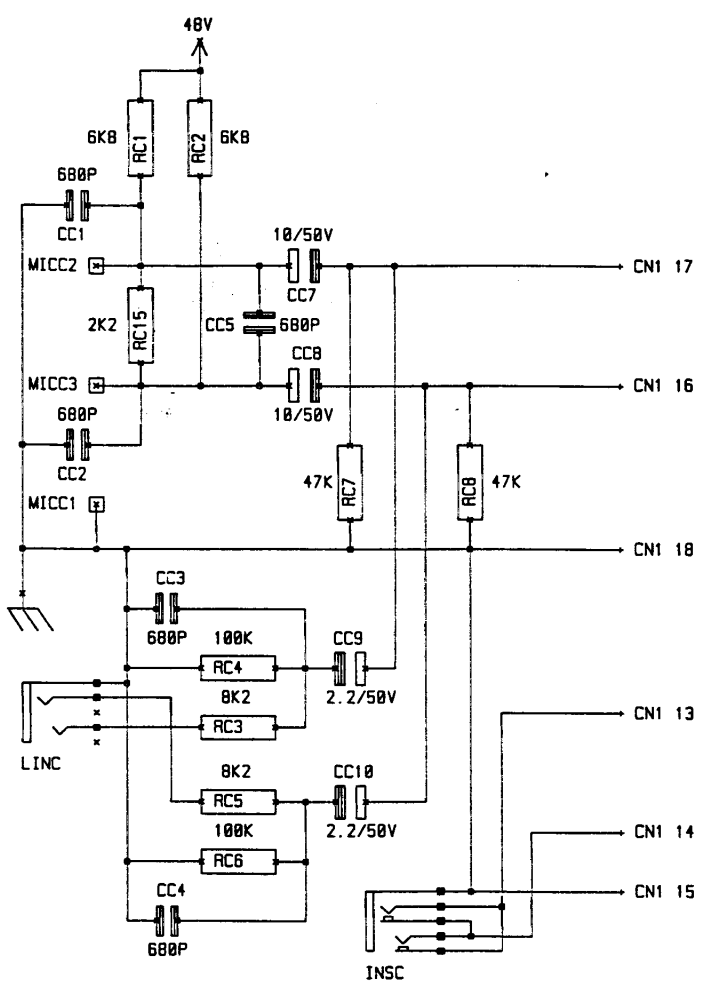
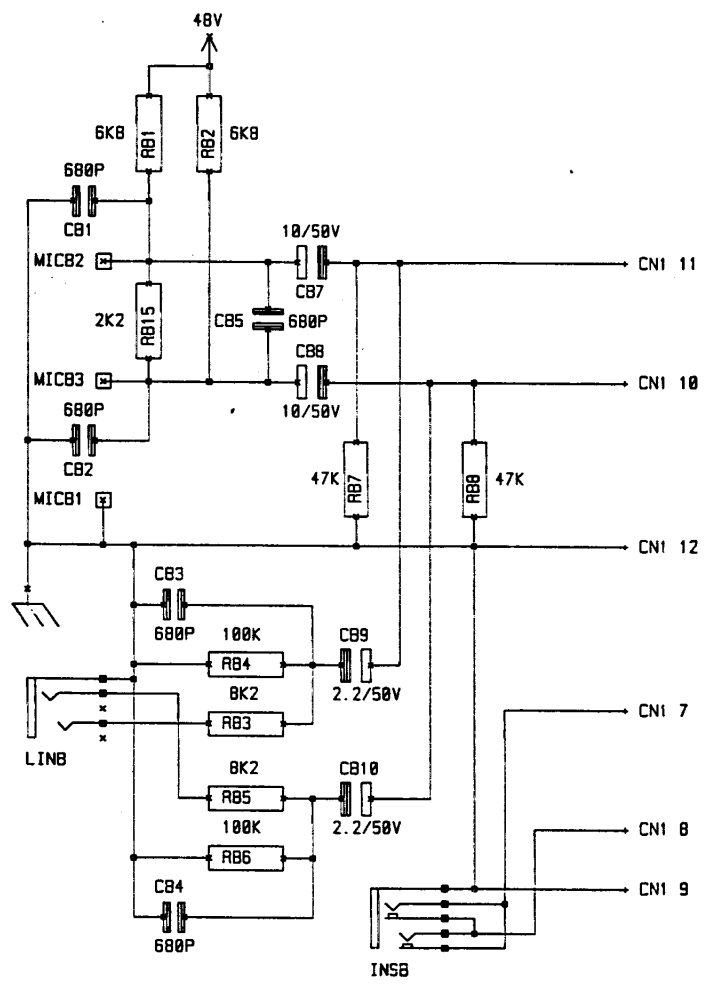
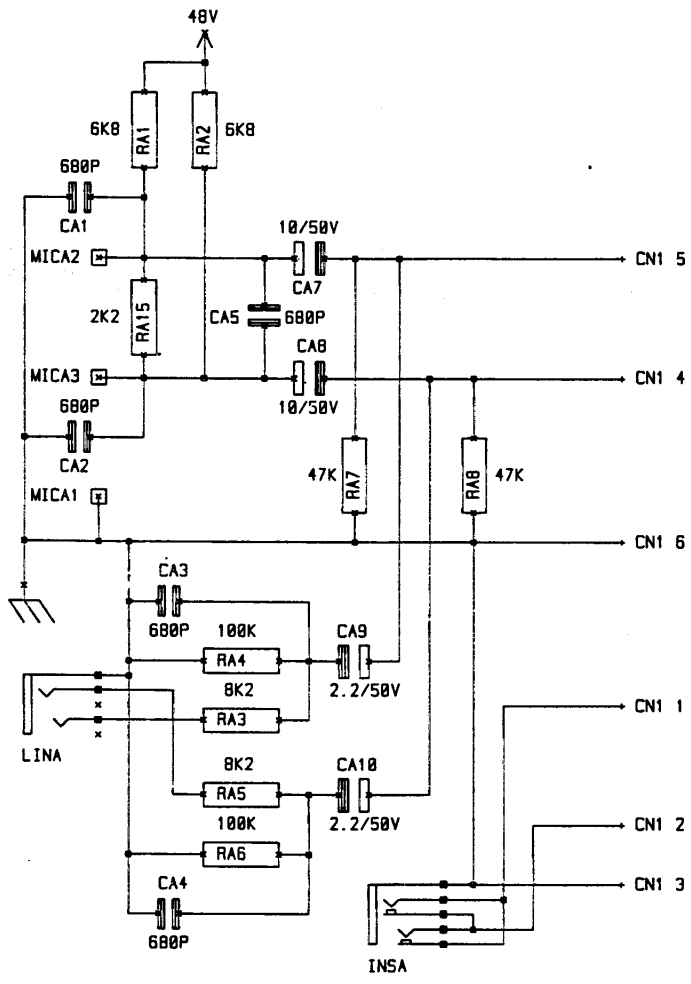
- NOTES
1. PARAM SWITCHES PULL UP RES ON LEXICHIP PCB.
  2. 4 BIT GRAY CODE AND 2 BIT INC ENCODERS NOT SHOWN. PULL UPS ON LEXICHIP PCB.
  3. +VB AND -VB ARE FROM +17V AND -17V ON PSU.

SOUNDCRAFT  
HARMAN INT. INDUSTRIES LTD.  
CRANBORNE HOUSE,  
CRANBORNE ROAD,  
POTTERS BAR,  
HERTS., EN6 3JN.  
TEL: 01707 665000  
FAX: 01707 660482

DRN. GHB

TITLE  
SPIRIT FX16  
LEXICON INTERFACE

DRG NO. ED3897G



SOUNDCRAFT OWNS THE COPYRIGHT OF THIS DRAWING WHICH IS NOT TO BE COPIED, REPRODUCED OR DISCLOSED, IN PART OR IN WHOLE TO A THIRD PARTY WITHOUT WRITTEN PERMISSION.

NOTES

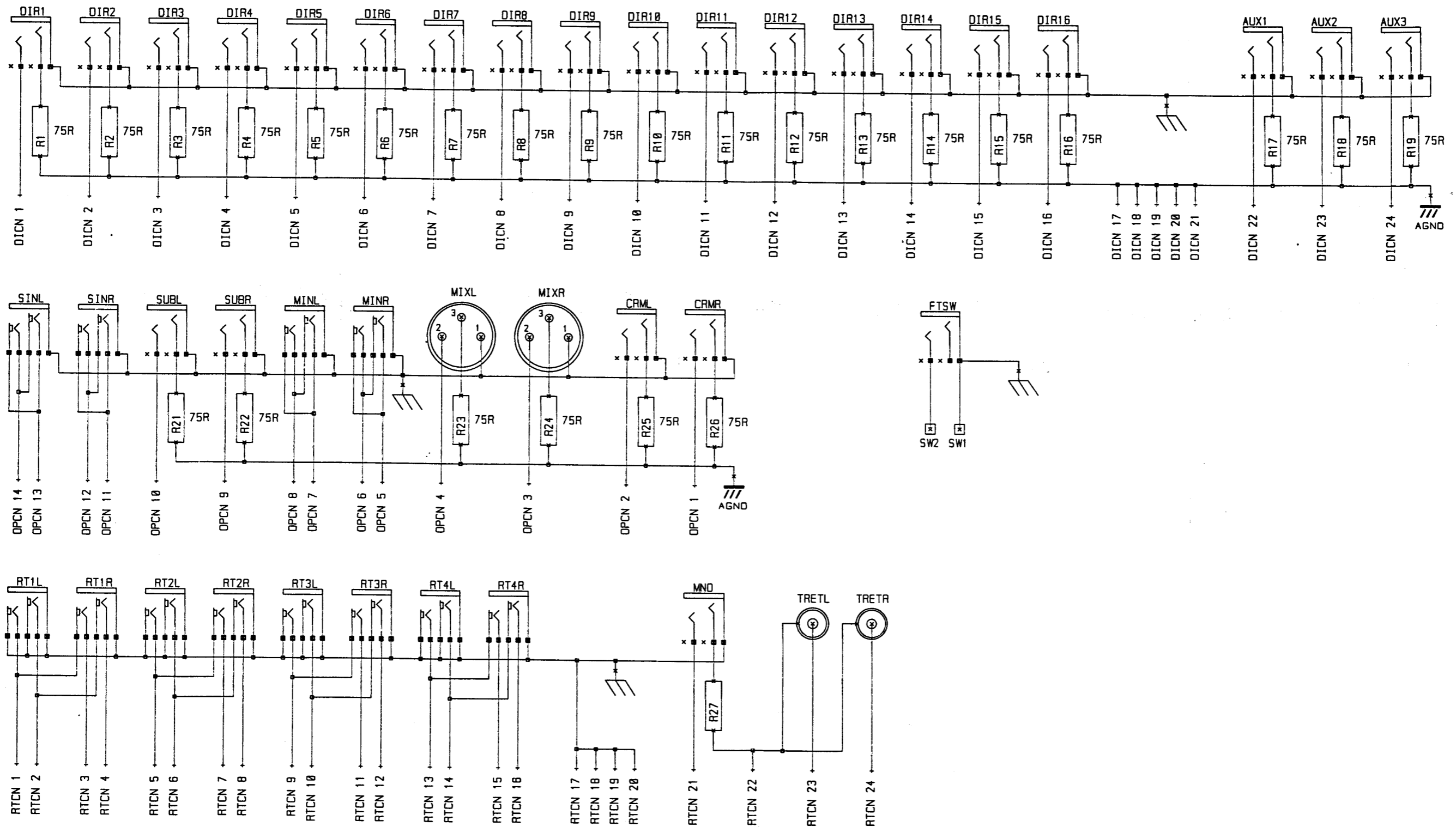
SOUNDCRAFT  
HARMAN INT. INDUSTRIES LTD.  
CRANBORNE HOUSE,  
CRANBORNE ROAD,  
POTTERS BAR.  
HERTS., EN6 3JN  
TEL: 01707 665000  
FAX: 01707 660482

DRN. GHB

TITLE SPIRIT FX16  
REARCON BOARD

ORG NO. ED3898A





SOUNDCRAFT OWNS THE  
 COPYRIGHT OF THIS DRAWING  
 WHICH IS NOT TO BE COPIED,  
 REPRODUCED OR DISCLOSED, IN PART  
 OR IN WHOLE TO A THIRD PARTY  
 WITHOUT WRITTEN PERMISSION.

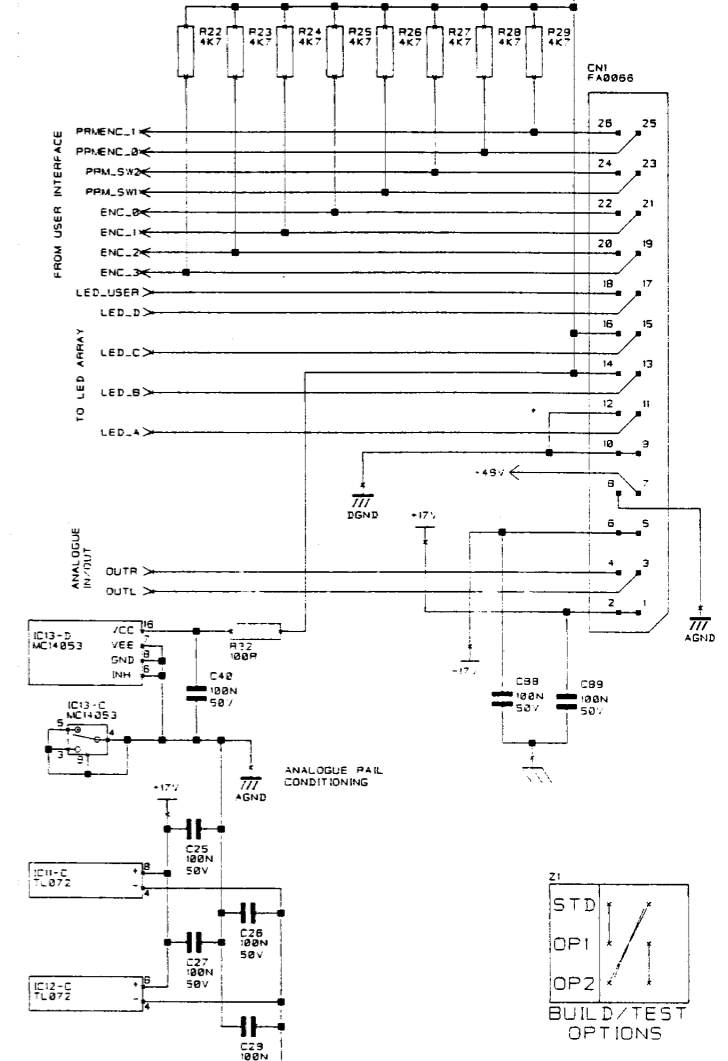
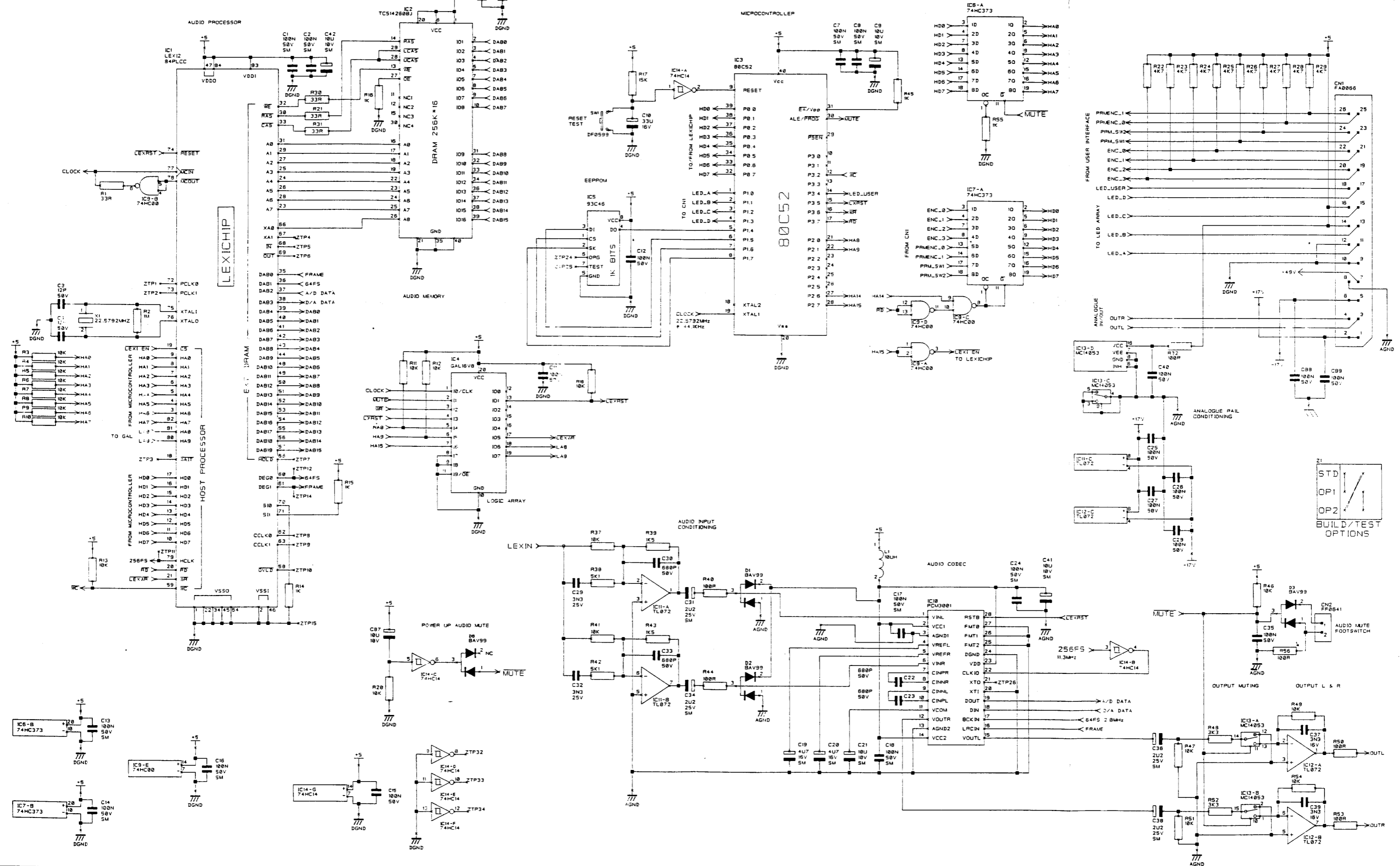
NOTES

SOUNDCRAFT  
 HARMAN INT. INDUSTRIES LTD.  
 CRANBORNE HOUSE,  
 CRANBORNE ROAD,  
 POTTERS BAR,  
 HERTS., EN6 3JN.  
 TEL: 01707 665000  
 FAX: 01707 660482

DRN. GHB

TITLE SPIRIT FX16  
 OUTPUT REARCON

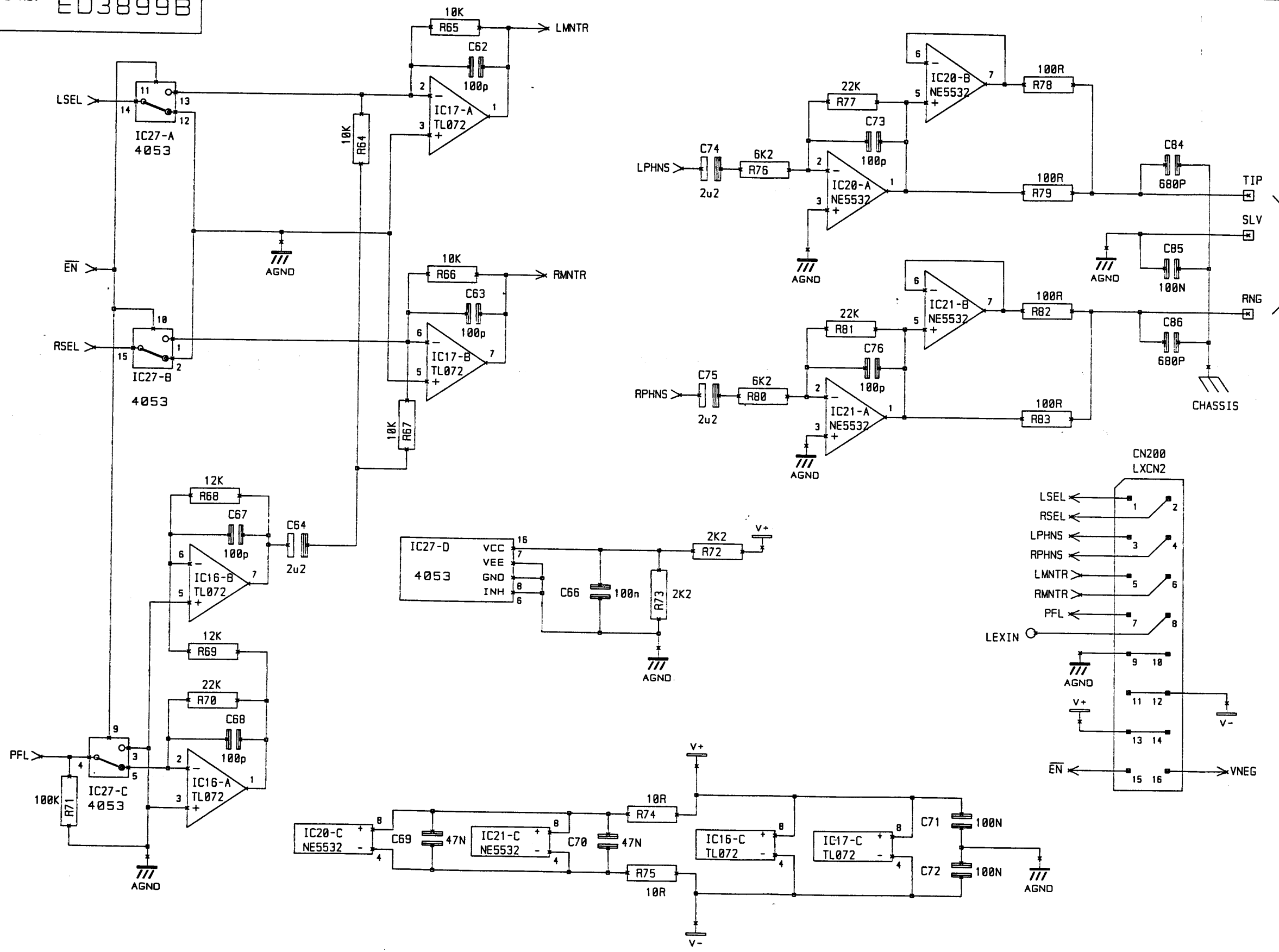
ORG NO. ED3898B



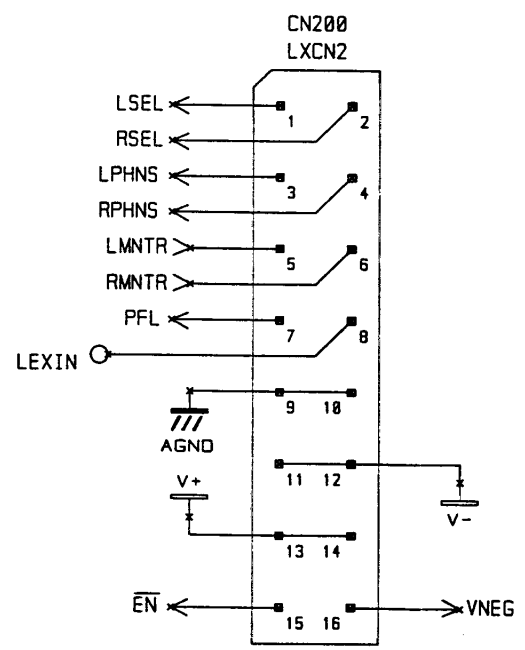
NOTES

DRN. PRH

TITLE  
SPIRIT FX16  
LEXICON EFFECTS PCB



HANDWIRED TO PHNS JACK SOCKET.



SOUNDCRAFT OWNS THE COPYRIGHT OF THIS DRAWING WHICH IS NOT TO BE COPIED, REPRODUCED OR DISCLOSED, IN PART OR IN WHOLE TO A THIRD PARTY WITHOUT WRITTEN PERMISSION.

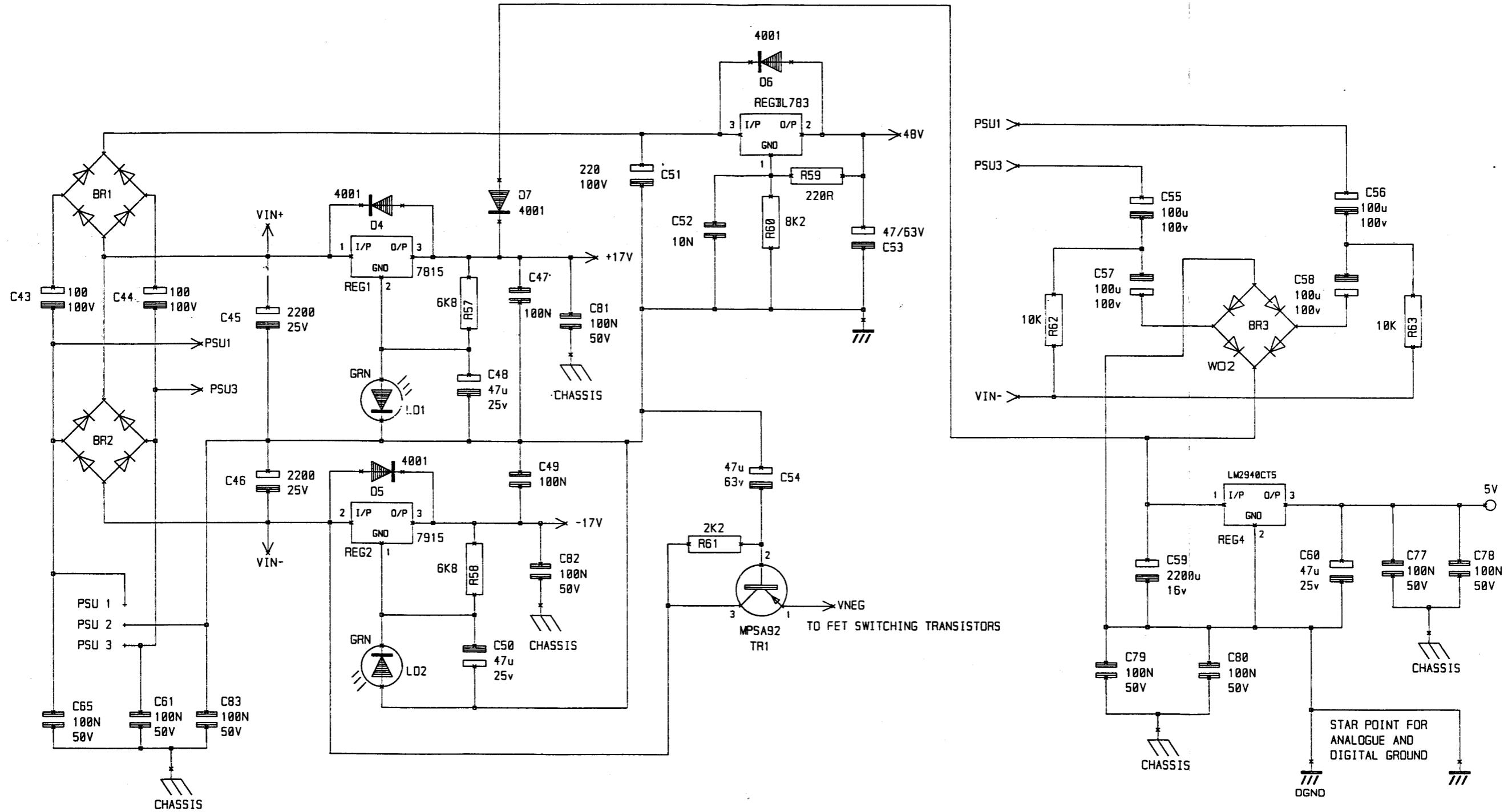
NOTES

SOUNDCRAFT  
HARMAN INT. INDUSTRIES LTD.  
CRANBORNE HOUSE,  
CRANBORNE ROAD,  
POTTERS BAR,  
HERTS., EN6 3JN.  
TEL: 01707 665000  
FAX: 01707 660482

DRN. GHB

TITLE SPIRIT SX16  
MONITORING LEXICON PCB

DRG NO. ED3899B



SOUNDCRAFT OWNS THE COPYRIGHT OF THIS DRAWING WHICH IS NOT TO BE COPIED, REPRODUCED OR DISCLOSED, IN PART OR IN WHOLE TO A THIRD PARTY WITHOUT WRITTEN PERMISSION.

NOTES

SOUNDCRAFT  
HARMAN INT. INDUSTRIES LTD.  
CRANBORNE HOUSE,  
CRANBORNE ROAD,  
POTTERS BAR,  
HERTS., EN6 3JN.  
TEL: 01707 665000  
FAX: 01707 660482

DRN.

TITLE SPIRIT FX16  
PSU BOARD

DRG NO. ED3899C