

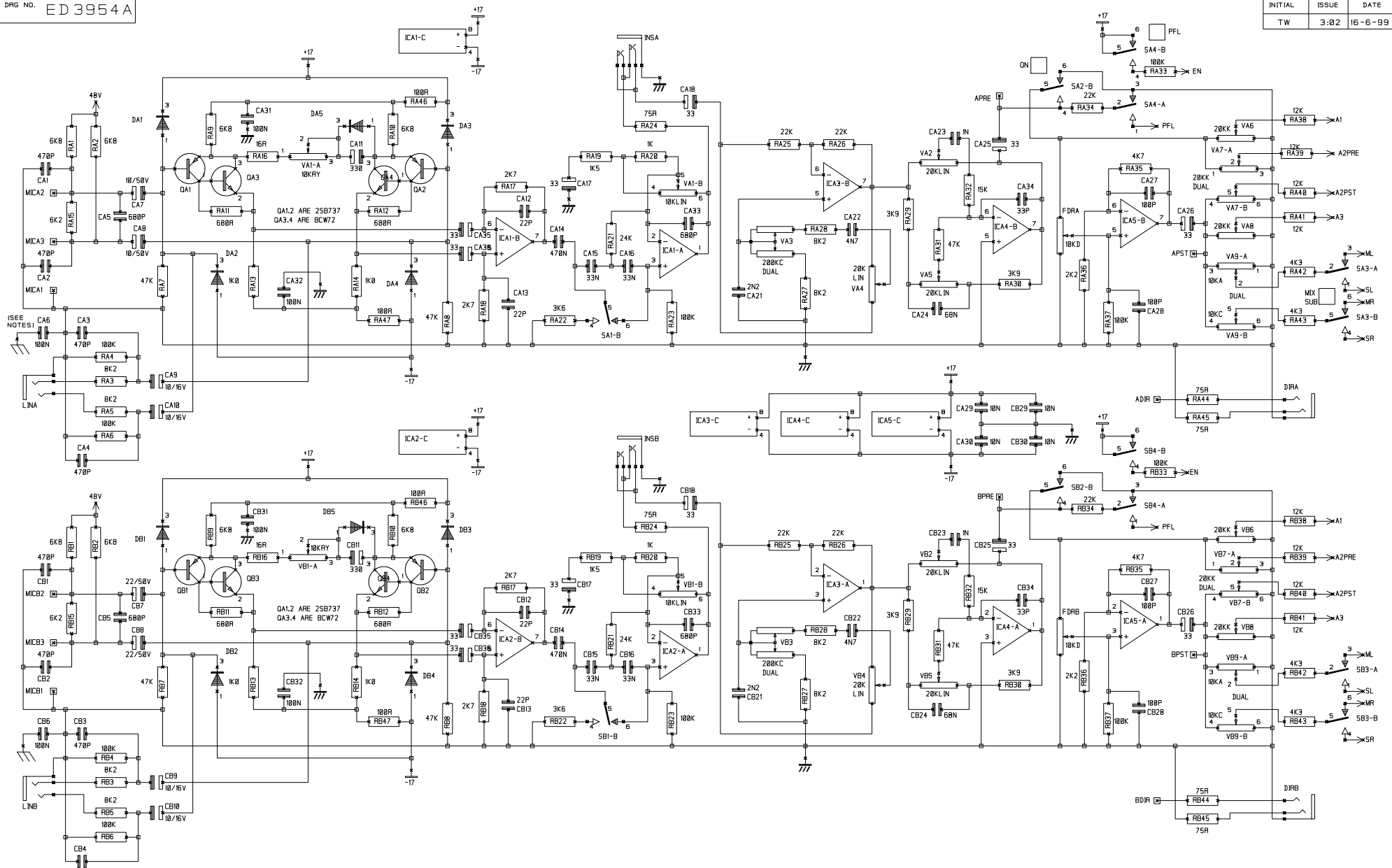
NOTES

DRN. PRH

TITLE

LEXICON EFFECTS PCB

DRG NO. ED3848



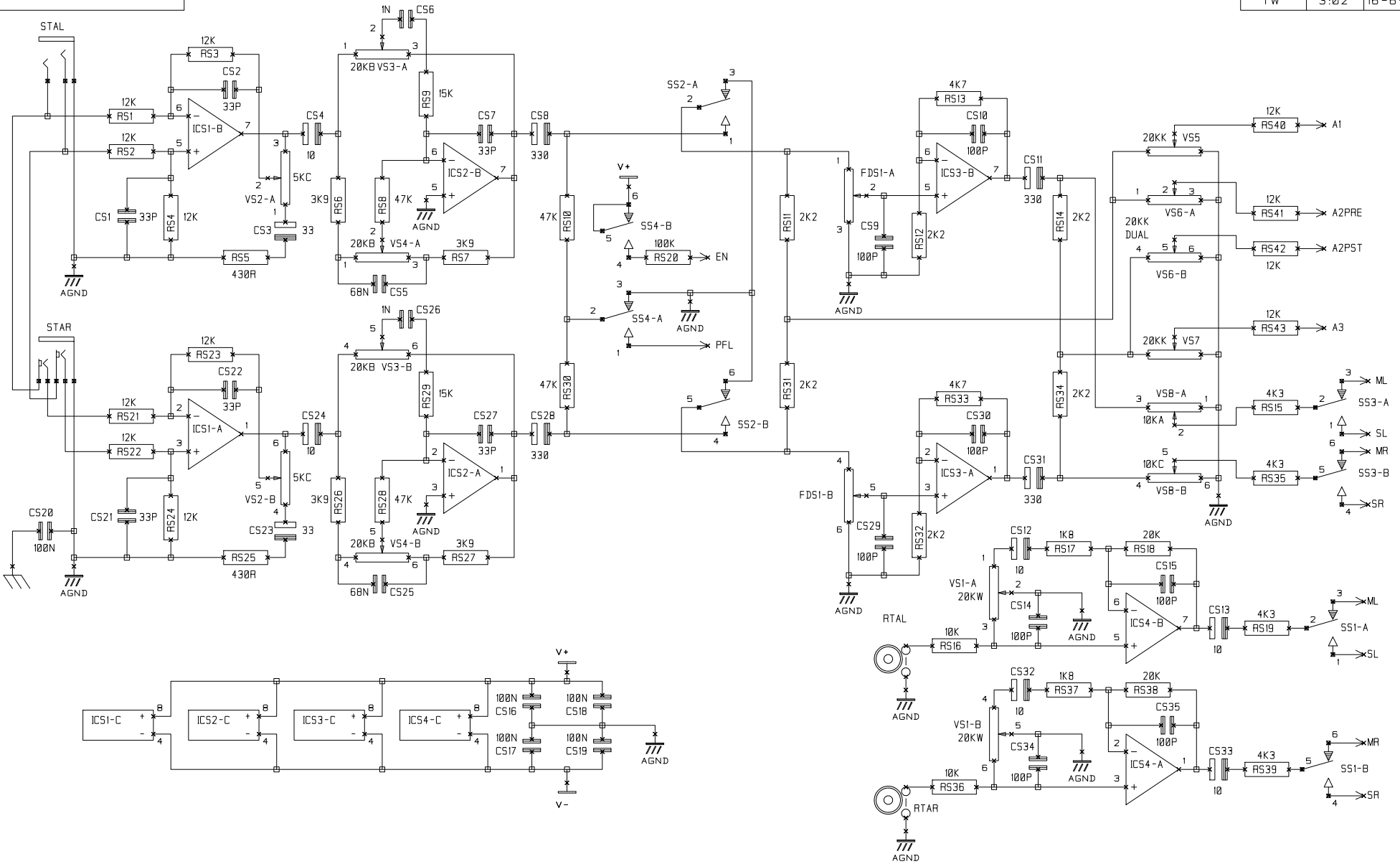
CHANNELS A AND B

NOTES

- (1) MONO INPUT CHANNELS A AND B SHOWN CHANNELS C TO H STEP AND REPEATED.
- (2) CAG NOT FITTED - ALSO CC6,CE6 AND CG6 ARE NOT FITTED ON STEP AND REPEATED CHANNELS.

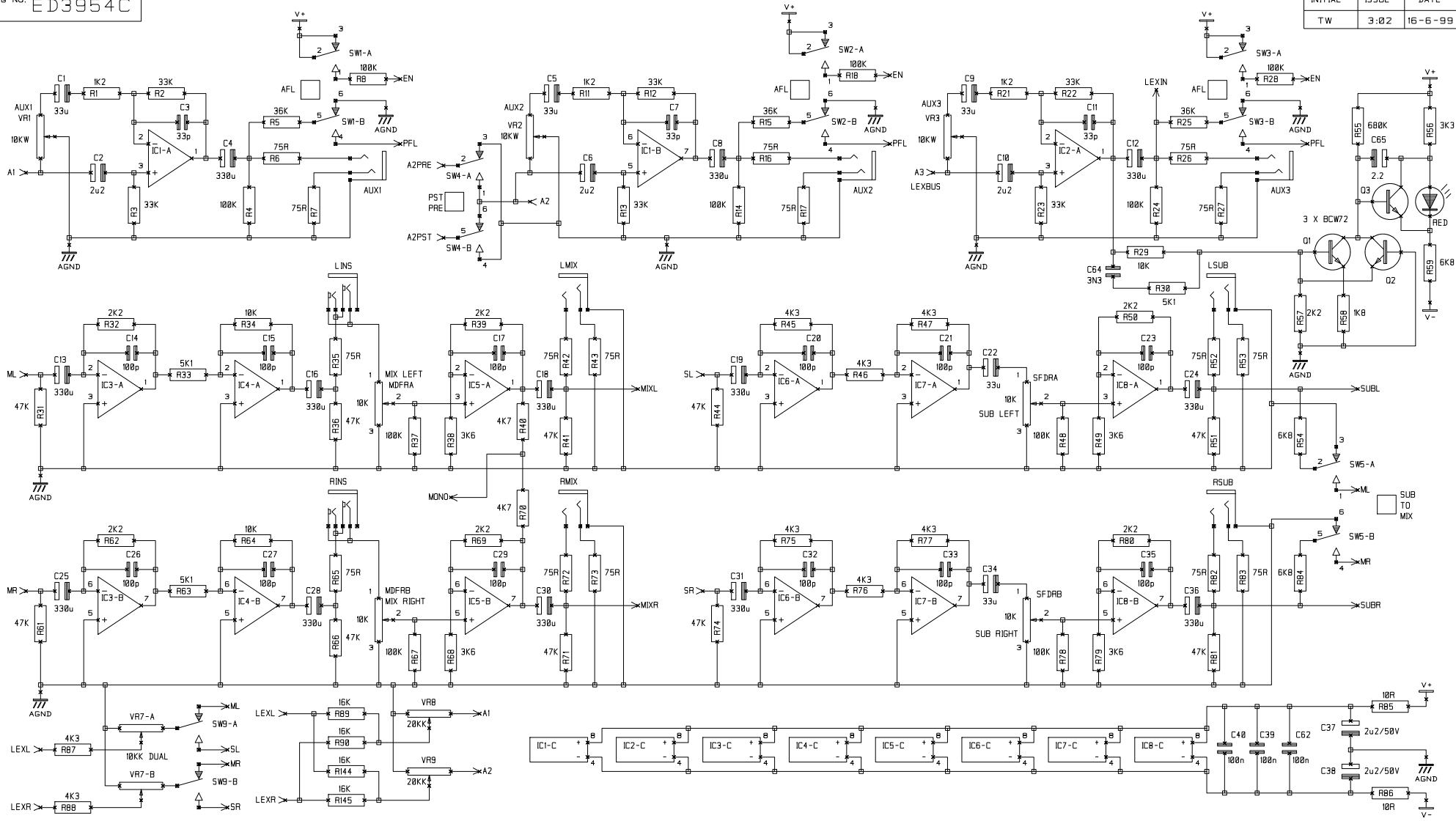
NOTES

DRN.	GHB	TITLE	SPIRIT F1-8 MONO INPUT
DRG NO.		ED 3954 A	
		SHT. 1 OF 6	



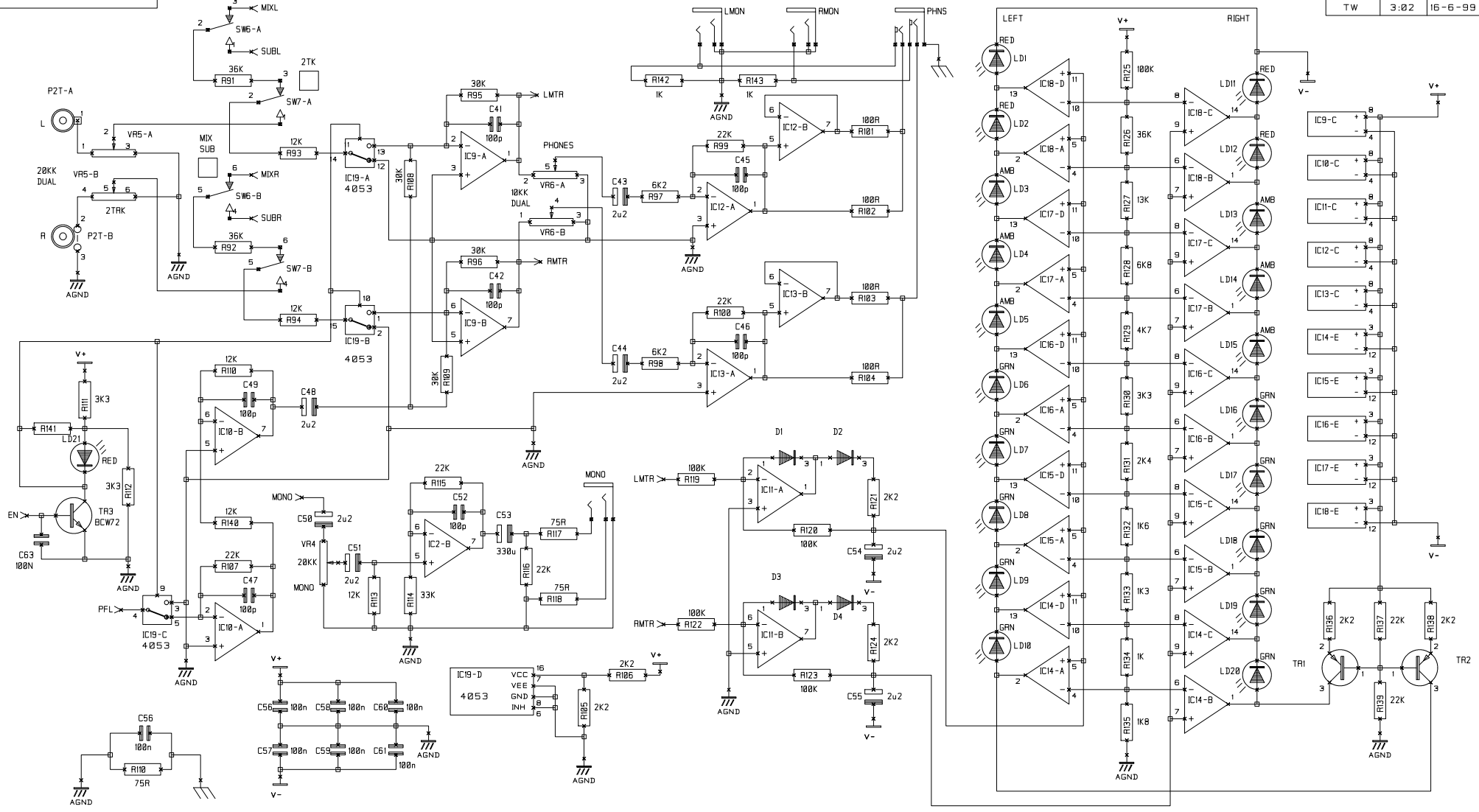
NOTES
 (1) STEREO INPUT CHANNEL A SHOWN
 STEREO INPUT CHANNEL B STEP AND REPEATED.

DRN.	GHB	TITLE	SPIRIT F1-8 STEREO INPUT
		DRG NO.	ED3954B



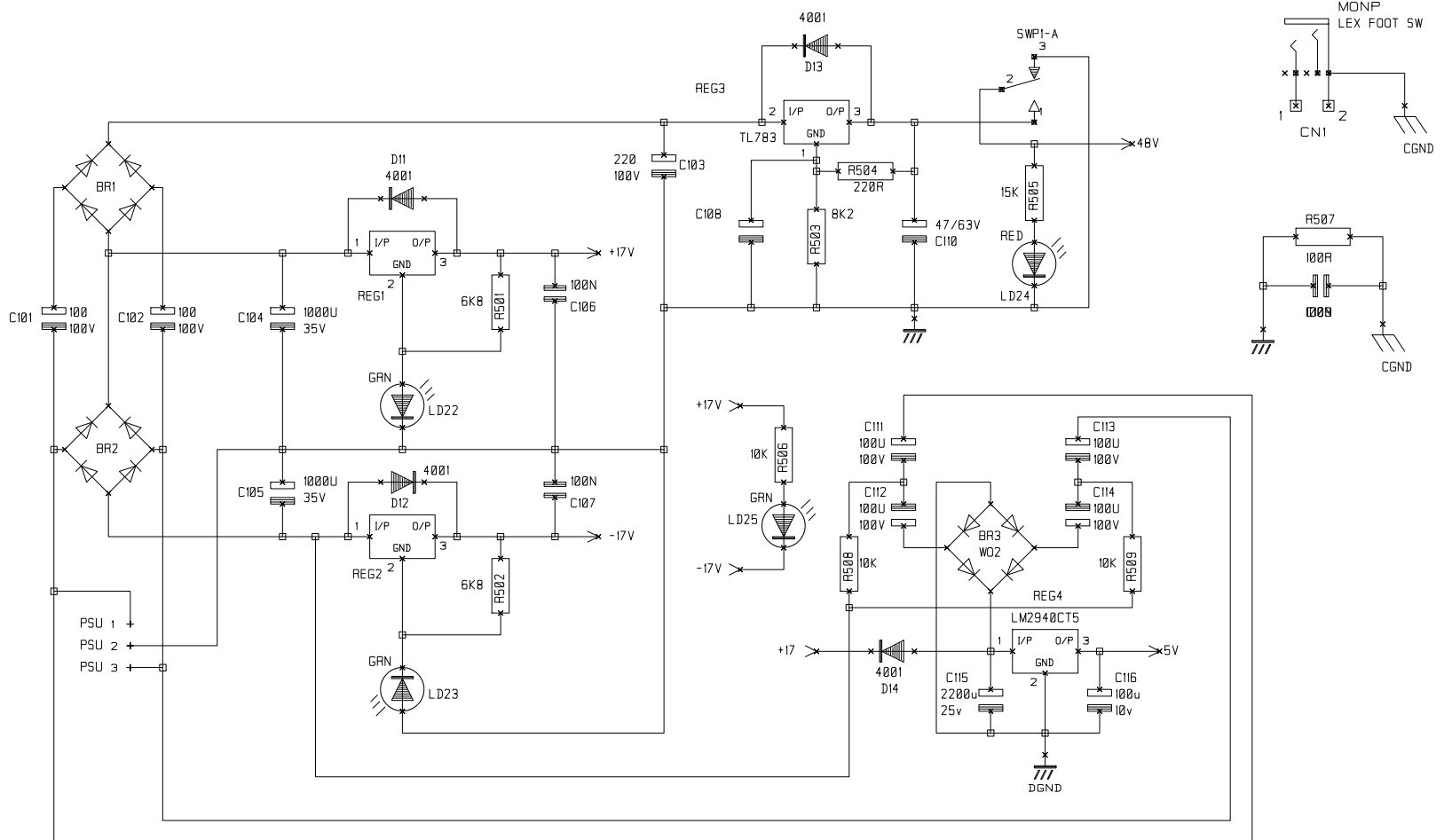
NOTES

DRN.	GHB	TITLE	SPRIT F1-8 MASTER SECTION A
		DRG NO.	ED3954C



NOTES

IC19-D
 4053
 VCC 16
 VEE 7
 GND 8
 INH 9
 1
 2
 3
 4
 5
 6
 10
 11
 12
 13
 14
 15

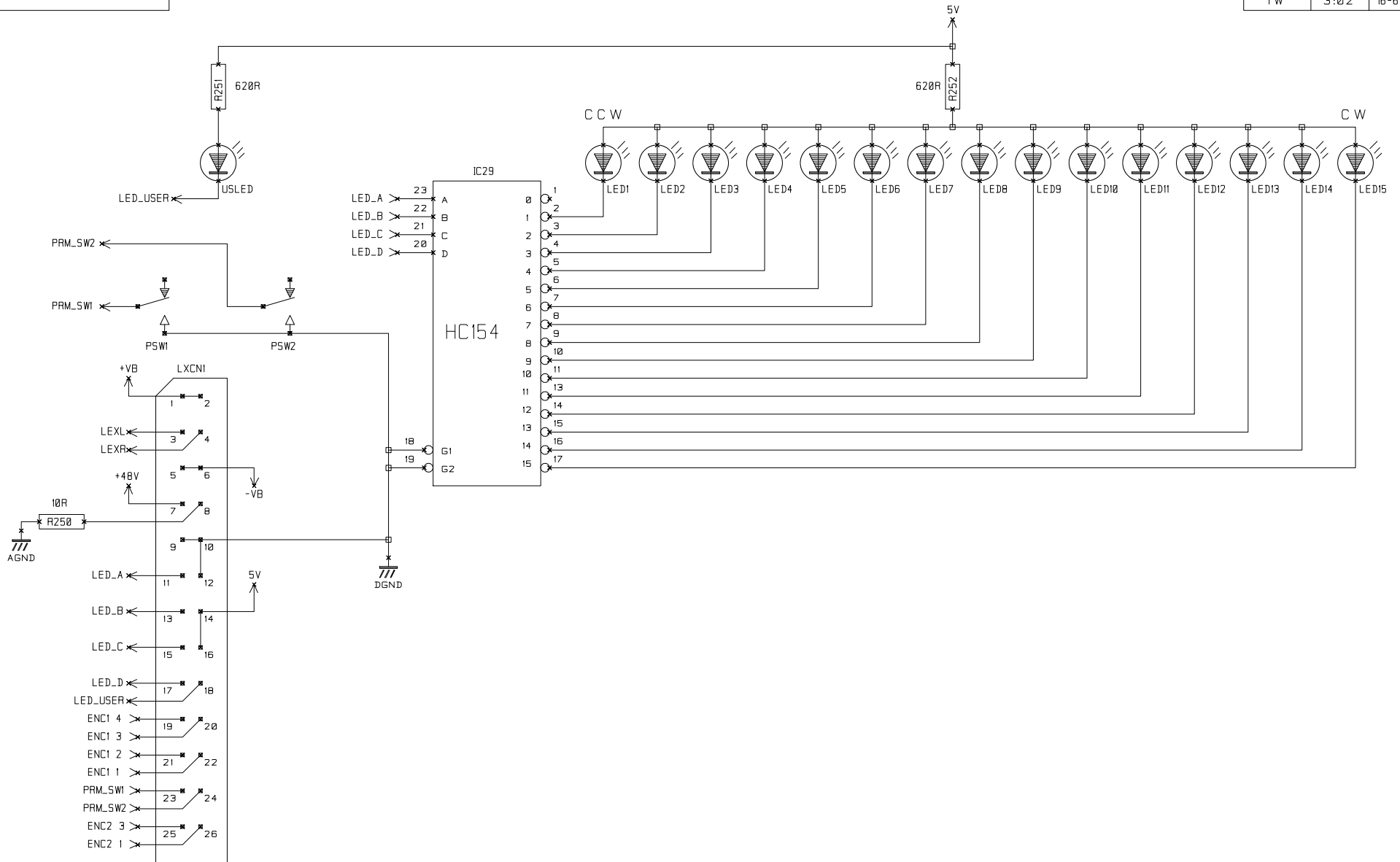


NOTES

DRN. GHB

TITLE SPIRIT F1-8 PSU

DRG NO. ED3954E



- NOTES
- 1.PARAM SWITCHES PULL UP RES ON LEXICHIP PCB.
 - 2.4 BIT GRAY CODE AND 2 BIT INC ENCODERS NOT SHOWN.
PULL UPS ON LEXICHIP PCB.
 3. +VB AND -VB ARE FROM +17V AND -17V ON PSU.

DRN.	GHB	TITLE
		SPIRIT F1-8 LEXICON INTERFACE
		DRG NO. ED3954F