

RACFAC
PROVISIONAL TECHNICAL
MANUAL

TECHNICAL SPECIFICATION

OUTPUT NOISE

Typical Group Output, Input faders down	-87dBu
Group fader down	-92dBu
Mix output with groups routed to mix	-83dBu
Mix fader down	-98dBu

AUX NOISE

Typical, input sends down	-85dBu
---------------------------	--------

E.I.N.

150R source	-129dBu
-------------	---------

DISTORTION

Mic gain 30dB, to group output @ 14dBu	< 0.005%
--	----------

CROSSTALK @ 1kHz

Input fader attenuation (top to bottom)	>95dB
Aux send attenuation	>88dB
Adjacent channel	>92dB

FREQUENCY RESPONSE

20Hz - 20kHz	
Line input, via group, to mix output	+/- 1dB

INPUT & OUTPUT IMPEDANCES

Mic	2k Ω
Line	10k Ω
Outputs	75 Ω

INPUT & OUTPUT LEVELS

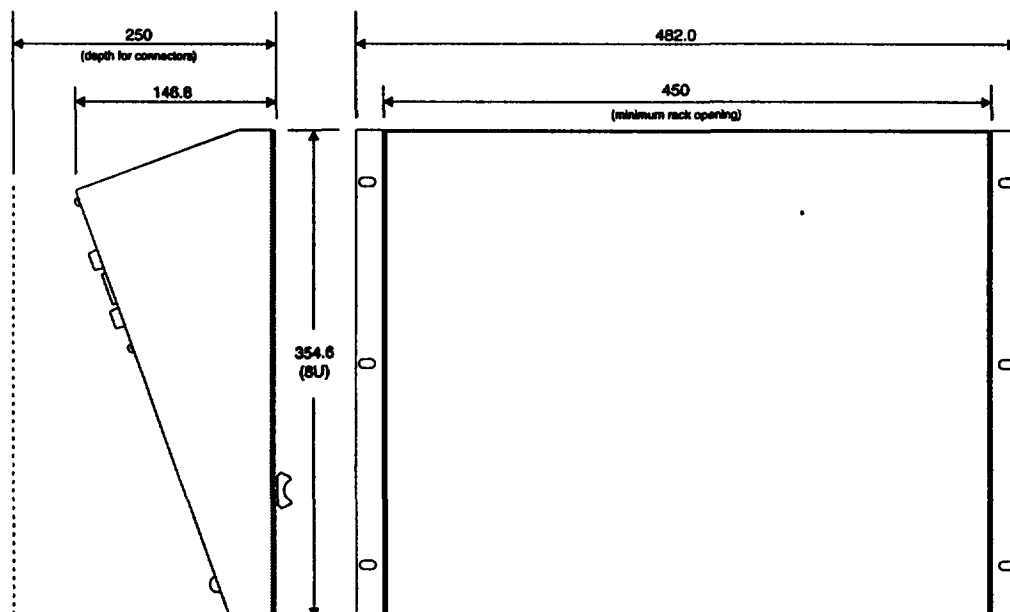
Max mic input	+16dBu
Max line input	+28dBu
Any output	+22dBu
Headphones	150mW into 600 Ω

WEIGHT

Console	Power Pack
6.6 Kg	1.0 Kg

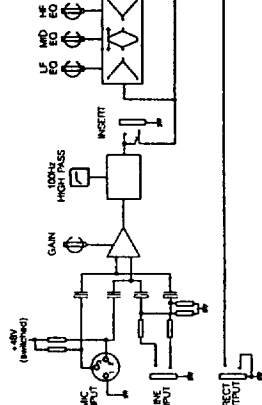
DIMENSIONS

All dimensions are in millimetres

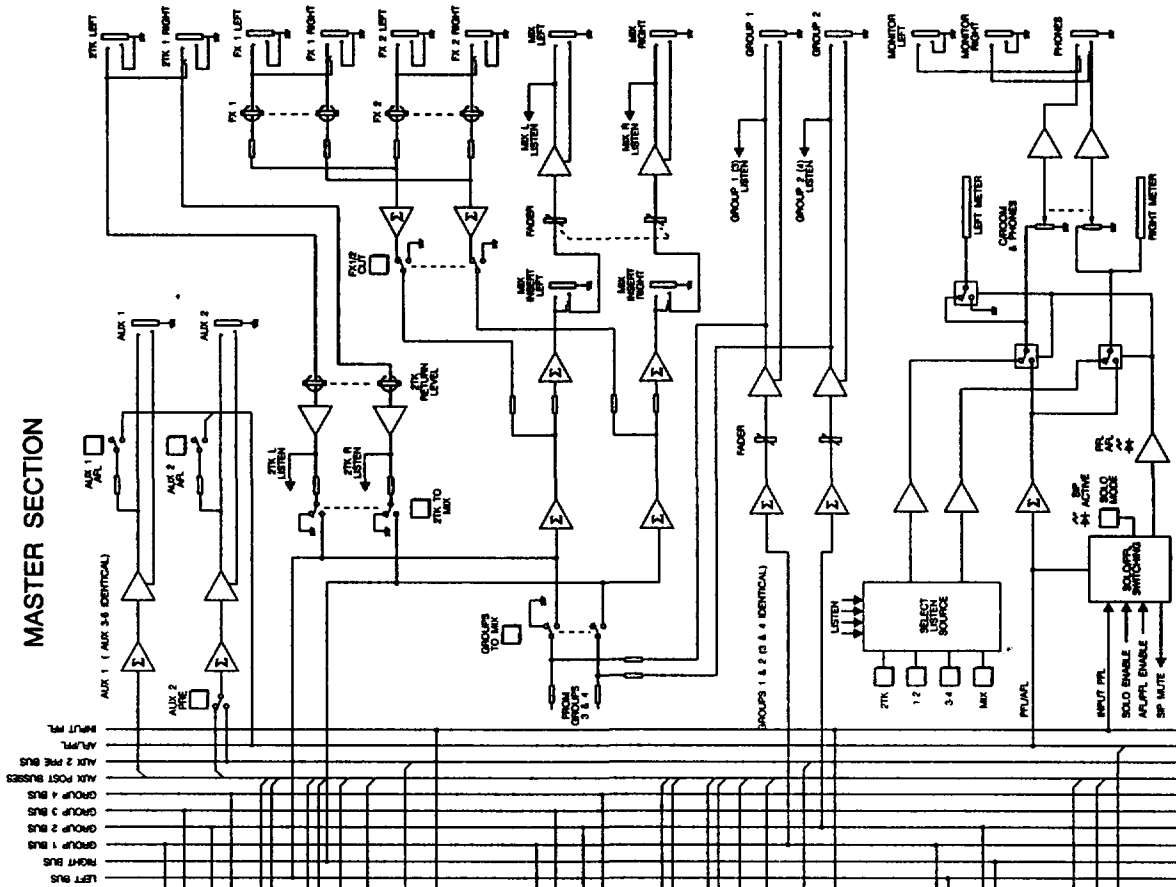


SYSTEM BLOCK DIAGRAM

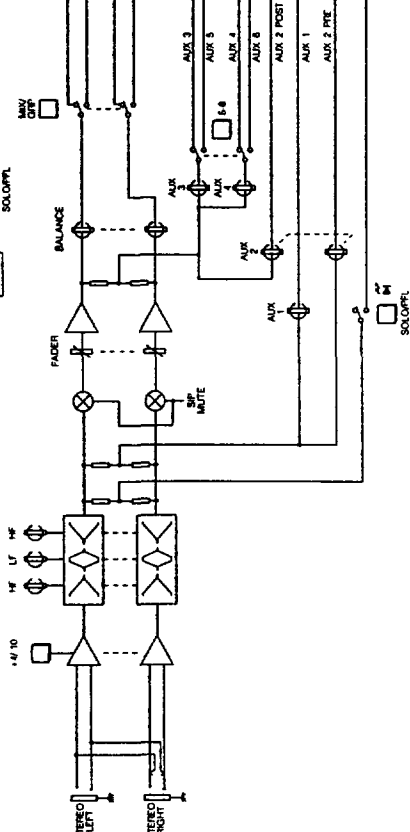
MONO INPUT CHANNELS (1-10)



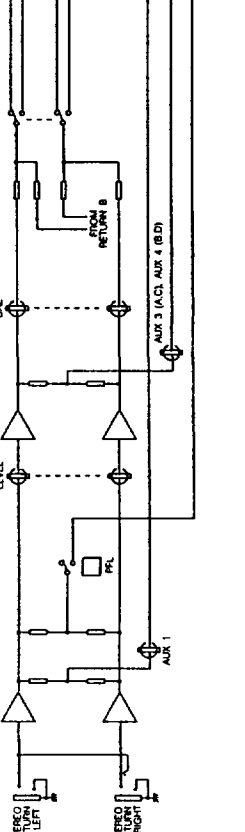
MASTER SECTION



STEREO INPUT CHANNELS (11-14)



TYPICAL STEREO RETURN (A-D)



DATE 9/03/94
 TIME 16:32:10
 REPORT DE-500

SOUNDCRAFT

PAGE 1
 PLANT MFG

REQUESTOR G BLUTE

BILL OF MATERIAL - INDENTED EXPLOSION
 EFFECTIVITY DATE: 9/03/94

LEVELS	SEQ	PART NUMBER/ DESCRIPTION	PART TYPE	FIXED L/T DAYS	DRAWING NUMBER	ENG REV	--- I/O	EFFECTIVITY DATE	--- ECO	BATCH QTY	QTY/ PEUM	SC FC	USG CDE	TOTAL QTY
		PARENT												
		RW5142 FOLIO RACPAC CONSOLE(220V	MFG	.0000		000				1.000	EA			1.000
		COMPONENT												
1	REF	AA ***PROCESS SHEET ISSUE***	REF	.0000		000				1.	EA	00	C	1.000
1	000	HB0169 SPIRIT FOLIO4 TRANSFORMER	PUR	40.0000		000				1.	EA	00	C	1.000
1	000	RW5128 FOLIO RACPAC CONSOLE	MFG	.0000		000				1.	EA	00	C	1.000
.2	REF	AA ***PROCESS SHEET ISSUE***	REF	.0000		000				1.	EA	00	C	1.000
.2	000	KA0079 SIF SHORT THROW WHITE FDR	PUR	35.0000	K53828	000				10.	EA	00	C	10.000
.2	000	KA0097 SIF SHORT THROW BLUE FDR	PUR	35.0000	K55080	000				2.	EA	00	C	2.000
.2	000	KA0136 SIF SHORT THROW RED FDR K	PUR	35.0000		000				4.	EA	00	C	4.000
.2	000	KA0171 SIF SHRT THRO YELLOW FDR	PUR	20.0000	02LK11103YL/195	000				1.	EA	00	C	1.000
.2	000	KA0178 FOLIO POT KNOB-GRN (NO FL	PUR	20.0000		000				28.	EA	00	C	28.000
.2	000	KA0179 FOLIO POT KNOB-RED(NO FLA	PUR	30.0000		000				18.	EA	00	C	18.000
.2	000	KA0180 FOLIO POT KNOB-GREY NO FL	PUR	30.0000		000				36.	EA	00	C	36.000
.2	000	KA0181 FOLIO POT KNOB-BLK(NO FLA	PUR	30.0000		000				10.	EA	00	C	10.000
.2	000	KA0182 FOLIO POT KNOB-BLU(NO FLA	PUR	30.0000		000				28.	EA	00	C	28.000
.2	000	KA0183 FOLIO POT KNOB-YEL(NO FLA	PUR	30.0000		000				16.	EA	00	C	16.000
.2	000	KB1624 SPIRIT FOLIO BLNK SWT CAP	PUR	35.0000	MD6681 /01	000				69.	EA	00	C	69.000
.2	000	KB1626 SPIRIT FOLIO BLNK SW CAP-	PUR	35.0000	23PB5850155/317	000				1.	EA	00	C	1.000
.2	000	LF0501 CABLE TIE 4.3"	PUR	20.0000	76730H	000				6.	EA	00	C	6.000
.2	000	NA0130 M3 X 8MM PAN POZI BLCK SC	PUR	20.0000		000				24.	EA	00	C	24.000
.2	000	NB0113 M3 NYLON INSERT NUT	PUR	20.0000		000				2.	EA	00	C	2.000

DATE 9/03/94
 TIME 16:32:10
 REPORT DE-500

SOUNDCRAFT

PAGE 2
 PLANT MFG

REQUESTOR G BLUTE

BILL OF MATERIAL - INDENTED EXPLOSION
 EFFECTIVITY DATE: 9/03/94

LEVELS	SEQ	PART NUMBER/ DESCRIPTION	PART TYPE	FIXED L/T DAYS	DRAWING NUMBER	ENG --- REV I/O	EFFECTIVITY --- DATE ECO	BATCH QTY/ QTY PEUM	SC FC	USG CDE	TOTAL QTY
		PARENT									
		RW5142 FOLIO RACPAC CONSOLE(220V	MFG	.0000		000		1.000 EA			1.000
		COMPONENT									
.2	000	NB0168 M4 BARB NUT	PUR	20.0000		000		21. EA	00 C		21.000
.2	000	NC0231 M3 BLACK NYLON WASHER	PUR	20.0000		000		24. EA	00 C		24.000
.2	000	NDO380 SPIRIT FOLIO PCB SPACER	PUR	30.0000	MD6674 /02	000		21. EA	00 C		21.000
.2	000	NDO398 RICHCO PCB SUPPORT	PUR	20.0000	MSPS 4-01	000		4. EA	00 C		4.000
.2	000	NZ2302 BUMPONS CYLINDRICAL FOOT-	PUR	80.0000	SJ5312 CLEAR	000		4. EA	00 C		4.000
.2	000	PH1171-01 RACPAC SIDE LEFT	PUR	30.0000	MD7070 /01	000		1. EA	00 C		1.000
.2	000	PH1172-01 RACPAC SIDE RIGHT	PUR	30.0000	MD7071 /01	000		1. EA	00 C		1.000
.2	000	PH1173-01 RACPAC COVER PNL	PUR	30.0000	MD7074 /01	000		1. EA	00 C		1.000
.2	000	PH1174-01 RACPAC BASE PNL	PUR	30.0000	MD7075 /01	000		1. EA	00 C		1.000
.2	000	PJ1336-01 RACPAC FRONT PNL	PUR	30.0000	MD7072 /01	000		1. EA	00 C		1.000
.2	000	RC3413 RACPAC MAIN PCB ASSY	MFG	.0000	SC3413/3	000		1. EA	00 C		1.000
..3	REF	AA ***PROCESS SHEET ISSUE***	REF	.0000		000		1. EA	00 C		1.000
..3	000	AV0001 RES MF 10R 2% 0.25W RADIA	PUR	80.0000		000		12. EA	00 C		12.000
..3	000	BDO301 PNP TRANS 2SA970GR (TAPED	PUR	40.0000	2SA970GR-TPE2	000		4. EA	00 C		4.000
..3	000	BDO302 NPN TRANS 2SC2240BL(TAPED	PUR	40.0000	2SC2240N-BL	000		34. EA	00 C		34.000
..3	000	BDO322 FET SWITCH J112 (TAPED)	PUR	40.0000	MOTOROLA/SILCNX	000		14. EA	00 C		14.000
..3	000	BE0410 LM2901 QUAD COMPARATOR IC	PUR	20.0000	SGS/NAT.SEMI	000		6. EA	00 C		6.000
..3	000	BE0413 TLO72CP/NJMO72BD DUAL OP	PUR	20.0000	JRC/TEXAS ONLY	000		23. EA	00 C		23.000
..3	000	BE0428 NE5532P/NJM5532D DUAL OP	PUR	20.0000	JRC/TEXAS	000		5. EA	00 C		5.000

DATE 9/03/94
 TIME 16:32:10
 REPORT DE-500

SOUNDCRAFT

PAGE 3
 PLANT MFG

REQUESTOR G BLUTE

BILL OF MATERIAL - INDENTED EXPLOSION
 EFFECTIVITY DATE: 9/03/94

LEVELS	SEQ	PART NUMBER/ DESCRIPTION	PART TYPE	FIXED L/T DAYS	DRAWING NUMBER	ENG REV	--- I/O	EFFECTIVITY DATE	--- ECO	BATCH QTY	QTY/ PEUM	SC FC	USG CDE	TOTAL QTY
		PARENT												
		RW5142 FOLIO RACPAC CONSOLE(220V	MFG	.0000					000	1.000	EA			1.000
		COMPONENT												
..3	000	BE0482 8 PIN SIL IC NJM072BL	PUR	20.0000	JRC NJM072BL				000	22.	EA	00	C	22.000
..3	000	CA0004 C/CAP 0.2" PRFRM TPD 100V	PUR	20.0000	ED1BN150220G968				000	8.	EA	00	C	8.000
..3	000	CA0006 C/C 0.2" TAPED 100V 100PF(PUR	20.0000	ED1BN150101G968				000	70.	EA	00	C	70.000
..3	000	CA0009 C/C 0.2" TAPED 100V 680PF(PUR	20.0000	ED22B461K968				000	10.	EA	00	C	10.000
..3	000	CC0240 MICRO-BOX 5MM 5% 63V 2N2	PUR	20.0000	BF014D0222JDC				000	14.	EA	00	C	14.000
..3	000	CC0242 MICRO-BOX 5MM 5% 63V 4N7	PUR	20.0000	BF014D0472JDC				000	10.	EA	00	C	10.000
..3	000	CC0244 MICRO-BOX 5MM 5% 63V 10N	PUR	20.0000	BF014D0103JDC				000	18.	EA	00	C	18.000
..3	000	CC0248 MICRO-BOX 5MM 5% 63V 47N	PUR	20.0000	BF014D0473JDC				000	5.	EA	00	C	5.000
..3	000	CC0249 MICRO-BOX 5MM 5% 63V 68N	PUR	80.0000	MKT1.68+68N				000	10.	EA	00	C	10.000
..3	000	CC0252 POLY-CAP 5MM 5% 63V 100N	PUR	20.0000	BF014D0104JDC				000	35.	EA	00	C	35.000
..3	000	CC0255 POLY-CAP 5MM 5% 63V 220N	PUR	20.0000	BF02D0224JDC				000	12.	EA	00	C	12.000
..3	000	CE0416 VERT ELEC 0.2" TPD 2.2MF 5	PUR	20.0000	SSP				000	15.	EA	00	C	15.000
..3	000	CE0448 VERT ELEC SSP 10UF/16V	PUR	20.0000					000	56.	EA	00	C	56.000
..3	000	CE0455 VERT ELEC 330MF/6.3V	PUR	20.0000	EKP 330UF/6.3V				000	14.	EA	00	C	14.000
..3	000	CE0456 VERT ELEC 47MF/50V	PUR	20.0000	EKQ 47UF/50V				000	10.	EA	00	C	10.000
..3	000	CE0457 VERT ELEC 33UF/16V	PUR	20.0000	SSO 33UF/16V				000	44.	EA	00	C	44.000
..3	000	DD0376 ALPS 75MM 10KA MONO FDR	PUR	80.0000	RS6011YA600MA				000	15.	EA	00	C	15.000
..3	000	DD0377 ALPS 75MM 10KA STER FDR	PUR	80.0000	RS60112A600NAX				000	2.	EA	00	C	2.000
..3	000	DF0593 ALPS VERT 2POLE LATCHNG S	PUR	80.0000	SPPH11540A				000	70.	EA	00	C	70.000

DATE 9/03/94
 TIME 16:32:10
 REPORT DE-500

SOUNDCRAFT

PAGE 4
 PLANT MFG

REQUESTOR G BLUTE

BILL OF MATERIAL - INDENTED EXPLOSION
 EFFECTIVITY DATE: 9/03/94

LEVELS	SEQ	PART NUMBER/ DESCRIPTION	PART TYPE	FIXED L/T DAYS	DRAWING NUMBER	ENG REV	--- I/O	EFFECTIVITY DATE	--- ECO	BATCH QTY/ QTY PEUM	SC FC	USG CDE	TOTAL QTY
		PARENT											
		RW5142 FOLIO RACPAC CONSOLE(220V	MFG	.0000		000				1.000 EA			1.000
		COMPONENT											
..3	000	DM1199 ALPS 11MM VERT 200KC DUAL	PUR	80.0000	RK11K12N0A0HA	000				10. EA	00 C		10.000
..3	000	DM1201 ALPS 14MM VERT 20KB C/D D	PUR	80.0000	RK14K123002YA	000				6. EA	00 C		6.000
..3	000	DM1206 ALPS 14MM VERT 10KAC C/D	PUR	80.0000		000				16. EA	00 C		16.000
..3	000	DM1213 ALPS 9MM VERT(SHRT-D)10KK	PUR	80.0000	RK09	000				8. EA	00 C		8.000
..3	000	DM1219 ALPS 9MM VERT(SHRT-D)5KRD	PUR	80.0000		000				10. EA	00 C		10.000
..3	000	DM1220 ALPS 9MM VERT(SHRT-D)20KB	PUR	80.0000		000				30. EA	00 C		30.000
..3	000	DM1221 ALPS 9MM VERT(SHRT-D)20KK	PUR	80.0000		000				42. EA	00 C		42.000
..3	000	DM1223 ALPS 9MM VERT(SHRT-D)20KK	PUR	80.0000		000				12. EA	00 C		12.000
..3	000	FF0860 2MM 12WY L/PRF VERT ML HD	PUR	60.0000	DF3A-12P-2DSA	000				1. EA	00 C		1.000
..3	000	FF0865 2MM 8WY L/PRF VERT LCKG M	PUR	60.0000	DF3A-8P-2DSA	000				2. EA	00 C		2.000
..3	000	FH0750 JACK SKT STR/BRK PC MNT M	PUR	40.0000	LJ-0697F-5	000				1. EA	00 C		1.000
..3	000	JA0075 LED 3MM RED S.BRT-PRFMD 1	PUR	20.0000	5135RD-MD6748/1	000				18. EA	00 C		18.000
..3	000	JA0076 LED 3MM GRN S.BRT-PRFMD 1	PUR	20.0000	5137GD-MD6748/1	000				15. EA	00 C		15.000
..3	000	JA0077 LED 3MM AMB S.BRT-PRFMD 1	PUR	20.0000	5150AD-MD6748/1	000				7. EA	00 C		7.000
..3	000	LC0258 SPIRIT FOLIO4 JUMPER CBL	PUR	60.0000		000				1. EA	00 C		1.000
..3	000	RC3413A1 RACPAC MAIN PCB AI COMPS	MFG	.0000	SC3413/3	000				1. EA	00 C		1.000
...4	REF	AA ***PROCESS SHEET ISSUE***	REF	.0000		000				1. EA	00 C		1.000
...4	000	AD0401 MF 0.25W RES 2% 10R	PUR	40.0000	006100B	000				14. EA	00 C		14.000
...4	000	AD0405 MF 0.25W RES 2% 15R	PUR	40.0000	006150B	000				4. EA	00 C		4.000

DATE 9/03/94
 TIME 16:32:10
 REPORT DE-500

SOUNDCRAFT

PAGE 5
 PLANT MFG

REQUESTOR G BLUTE

BILL OF MATERIAL - INDENTED EXPLOSION
 EFFECTIVITY DATE: 9/03/94

LEVELS	SEQ	PART NUMBER/ DESCRIPTION	PART TYPE	FIXED L/T DAYS	DRAWING NUMBER	ENG REV	--- I/O	EFFECTIVITY DATE	--- ECO	BATCH QTY	QTY/ PEUM	SC FC	USG CDE	TOTAL QTY
		PARENT												
		RW5142 FOLIO RACPAC CONSOLE(220V	MFG	.0000						1.000	EA			1.000
		COMPONENT												
...4	000	AD0422 MF 0.25W RES 2% 75R	PUR	40.0000	006750B					38.	EA	00	C	38.000
...4	000	AD0441 MF 0.25W RES 2% 470R	PUR	40.0000	006471B					1.	EA	00	C	1.000
...4	000	AD0442 MF 0.25W RES 2% 510R	PUR	40.0000	006511B					1.	EA	00	C	1.000
...4	000	AD0447 MF 0.25W RES 2% 820R	PUR	40.0000	006821B					9.	EA	00	C	9.000
...4	000	AD0449 MF 0.25W RES 2% 1K	PUR	40.0000	006102B					9.	EA	00	C	9.000
...4	000	AD0451 MF 0.25W RES 2% 1K2	PUR	40.0000	006122B					11.	EA	00	C	11.000
...4	000	AD0452 MF 0.25W RES 2% 1K3	PUR	40.0000	006132B					10.	EA	00	C	10.000
...4	000	AD0453 MF 0.25W RES 2% 1K5	PUR	40.0000	006152B					10.	EA	00	C	10.000
...4	000	AD0454 MF 0.25W RES 2% 1K6	PUR	40.0000	006162B					11.	EA	00	C	11.000
...4	000	AD0457 MF 0.25W RES 2% 2K2	PUR	40.0000	006222B					48.	EA	00	C	48.000
...4	000	AD0458 MF 0.25W RES 2% 2K4	PUR	40.0000	006242B					5.	EA	00	C	5.000
...4	000	AD0461 MF 0.25W RES 2% 3K3	PUR	40.0000	006332B					4.	EA	00	C	4.000
...4	000	AD0462 MF 0.25W RES 2% 3K6	PUR	40.0000	006362B					2.	EA	00	C	2.000
...4	000	AD0463 MF 0.25W RES 2% 3K9	PUR	40.0000	006392B					20.	EA	00	C	20.000
...4	000	AD0464 MF 0.25W RES 2% 4K3	PUR	40.0000	006432B					40.	EA	00	C	40.000
...4	000	AD0465 MF 0.25W RES 2% 4K7	PUR	40.0000	006472B					50.	EA	00	C	50.000
...4	000	AD0469 MF 0.25W RES 2% 6K8	PUR	40.0000	006682B					21.	EA	00	C	21.000
...4	000	AD0470 MF 0.25W RES 2% 7K5	PUR	40.0000	006752B					16.	EA	00	C	16.000
...4	000	AD0471 MF 0.25W RES 2% 8K2	PUR	40.0000	006822B					20.	EA	00	C	20.000

DATE 9/03/94
 TIME 16:32:10
 REPORT DE-500

SOUNDCRAFT

PAGE 6
 PLANT MFG

REQUESTOR G BLUTE

BILL OF MATERIAL - INDENTED EXPLOSION
 EFFECTIVITY DATE: 9/03/94

LEVELS	SEQ	PART NUMBER/ DESCRIPTION	PART TYPE	FIXED L/T DAYS	DRAWING NUMBER	ENG REV	--- I/O	EFFECTIVITY DATE	--- ECO	BATCH QTY	QTY/ PEUM	SC FC	USG CDE	TOTAL QTY
		PARENT												
		RW5142 FOLIO RACPAC CONSOLE(220V	MFG	.0000		000				1.000	EA			1.000
		COMPONENT												
...4	000	AD0472 MF 0.25W RES 2X 9K1	PUR	40.0000	006912B	000				5.	EA	00	C	5.000
...4	000	AD0473 MF 0.25W RES 2X 10K	PUR	40.0000	006103B	000				4.	EA	00	C	4.000
...4	000	AD0475 MF 0.25W RES 2X 12K	PUR	40.0000	006123B	000				114.	EA	00	C	114.000
...4	000	AD0476 MF 0.25W RES 2X 13K	PUR	40.0000	006133B	000				1.	EA	00	C	1.000
...4	000	AD0477 MF 0.25W RES 2X 15K	PUR	40.0000	006153B	000				16.	EA	00	C	16.000
...4	000	AD0479 MF 0.25W RES 2X 18K	PUR	40.0000	006183B	000				10.	EA	00	C	10.000
...4	000	AD0480 MF 0.25W RES 2X 20K	PUR	40.0000	006203B	000				6.	EA	00	C	6.000
...4	000	AD0481 MF 0.25W RES 2X 22K	PUR	40.0000	006223B	000				33.	EA	00	C	33.000
...4	000	AD0482 MF 0.25W RES 2X 24K	PUR	40.0000	006243B	000				4.	EA	00	C	4.000
...4	000	AD0484 MF 0.25W RES 2X 30K	PUR	40.0000	006303B	000				4.	EA	00	C	4.000
...4	000	AD0485 MF 0.25W RES 2X 33K	PUR	40.0000	006333B	000				10.	EA	00	C	10.000
...4	000	AD0486 MF 0.25W RES 2X 36K	PUR	40.0000	006363B	000				8.	EA	00	C	8.000
...4	000	AD0487 MF 0.25W RES 2X 39K	PUR	40.0000	006393B	000				1.	EA	00	C	1.000
...4	000	AD0489 MF 0.25W RES 2X 47K	PUR	40.0000	006473B	000				49.	EA	00	C	49.000
...4	000	AD0493 MF 0.25W RES 2X 68K	PUR	40.0000	006683B	000				4.	EA	00	C	4.000
...4	000	AD0497 MF 0.25W RES 2X 100K	PUR	40.0000	006104B	000				31.	EA	00	C	31.000
...4	000	AD0499 MF 0.25W RES 2X 120K	PUR	40.0000	006124B	000				4.	EA	00	C	4.000
...4	000	AD0501 MF 0.25W RES 2X 150K	PUR	40.0000	006154B	000				21.	EA	00	C	21.000
...4	000	AD0505 MF 0.25W RES 2X 220K	PUR	40.0000	006224B	000				4.	EA	00	C	4.000

DATE 9/03/94
 TIME 16:32:10
 REPORT DE-500

SOUNDCRAFT

PAGE 7
 PLANT MFG

REQUESTOR G BLUTE

BILL OF MATERIAL - INDENTED EXPLOSION
 EFFECTIVITY DATE: 9/03/94

LEVELS	SEQ	PART NUMBER/ DESCRIPTION	PART TYPE	FIXED L/T DAYS	DRAWING NUMBER	ENG --- REV I/O	EFFECTIVITY --- DATE ECO	BATCH QTY/ QTY PEUM	SC FC	USG CDE	TOTAL QTY
		PARENT									
		RW5142 FOLIO RACPAC CONSOLE(220V	MFG	.0000		000		1.000 EA			1.000
		COMPONENT									
...	4	000 AD0517 MF 0.25W RES 2% 680K	PUR	40.0000	006684B	000		10. EA	00 C		10.000
...	4	000 BA0001 DIODE 1N4148	PUR	20.0000	1N4148.TR	000		17. EA	00 C		17.000
..	3	000 RV2911 2MM 8WY CRIMP/TRANS 50MM	PUR	60.0000	OUK541-0006-0	000		1. EA	00 C		1.000
..	3	000 RV2912 2MM 12WY CRIMP/TRANS 50MM	PUR	60.0000	OUK541-0008-0	000		2. EA	00 C		2.000
..	3	000 RV3058 2MM 8WY CRIMP/TRANS 160MM	PUR	60.0000	OUK543-0004-0	000		11. EA	00 C		11.000
..	3	000 RV3060 2MM 4WY CRIMP/TRANS 160MM	PUR	60.0000	OUK543-0006-0	000		4. EA	00 C		4.000
..	3	000 RV3065 2MM 4WY TRANS/TRANS 260MM	PUR	60.0000	OUK543-0011-0	000		1. EA	00 C		1.000
..	3	000 SC3413-03 RACPAC MAIN PCB	PUR	20.0000	SC3413 /03	000		1. EA	00 C		1.000
..	2	000 RC3415 RACPAC O/P SUB PCB ASSY	PUR	2.0000	SC3415/3	000		1. EA	00 C		1.000
..	3	REF AA ***PROCESS SHEET ISSUE***	REF	.0000		000		1. EA	00 C		1.000
..	3	000 AV0001 RES MF 10R 2% 0.25W RADIA	PUR	80.0000		000		2. EA	00 C		2.000
..	3	000 BE0413 TLO72CP/NJM072BD DUAL OP	PUR	20.0000	JRC/TEXAS ONLY	000		6. EA	00 C		6.000
..	3	000 BE0428 NE5532P/NJM5532D DUAL OP	PUR	20.0000	JRC/TEXAS	000		3. EA	00 C		3.000
..	3	000 BF0573 4053 3P C/D ANALOGUE SW	PUR	25.0000	CD4053BCN	000		1. EA	00 C		1.000
..	3	000 CA0004 C/CAP 0.2" PRFRM TPD 100V	PUR	20.0000	EDIBN150220G968	000		6. EA	00 C		6.000
..	3	000 CA0006 C/C 0.2" TAPED 100V 100PF(PUR	20.0000	EDIBNI50101G968	000		8. EA	00 C		8.000
..	3	000 CC0252 POLY-CAP 5MM 5% 63V 100N	PUR	20.0000	BF014D0104JDC	000		4. EA	00 C		4.000
..	3	000 CE0416 VERT ELEC 0.2" TPD 2.2MF 5	PUR	20.0000	SSP	000		2. EA	00 C		2.000
..	3	000 CE0448 VERT ELEC SSP 10UF/16V	PUR	20.0000		000		2. EA	00 C		2.000

DATE 9/03/94
 TIME 16:32:10
 REPORT DE-500

SOUNDCRAFT

REQUESTOR G BLUTE

BILL OF MATERIAL - INDENTED EXPLOSION
 EFFECTIVITY DATE: 9/03/94

LEVELS	SEQ	PART NUMBER/ DESCRIPTION	PART TYPE	FIXED L/T DAYS	DRAWING NUMBER	ENG --- REV I/O	EFFECTIVITY --- DATE ECO	BATCH QTY/ QTY PEUM	SC FC	USG CDE	TOTAL QTY
		PARENT									
		RW5142 FOLIO RACPAC CONSOLE(220V	MFG	.0000		000		1.000 EA			1.000
		COMPONENT									
..3	000	CE0455 VERT ELEC 330MF/6.3V	PUR	20.0000	EKP 330UF/6.3V	000		12. EA	00 C		12.000
..3	000	CE0456 VERT ELEC 47MF/50V	PUR	20.0000	EKQ 47UF/50V	000		2. EA	00 C		2.000
..3	000	CE0457 VERT ELEC 33UF/16V	PUR	20.0000	SSO 33UF/16V	000		2. EA	00 C		2.000
..3	000	FF0860 2MM 12WY L/PRF VERT ML HD	PUR	60.0000	DF3A-12P-2DSA	000		3. EA	00 C		3.000
..3	000	FF0865 2MM 8WY L/PRF VERT LCKG M	PUR	60.0000	DF3A-8P-2DSA	000		1. EA	00 C		1.000
..3	000	RC3415A1 RACPAC O/P SUB PCB AI COM	MFG	2.0000	SC3415/3	000		1. EA	00 C		1.000
...4	REF	AA ***PROCESS SHEET ISSUE***	REF	.0000		000		1. EA	00 C		1.000
...4	000	AD0405 MF 0.25W RES 2% 15R	PUR	40.0000	006150B	000		6. EA	00 C		6.000
...4	000	AD0422 MF 0.25W RES 2% 75R	PUR	40.0000	006750B	000		12. EA	00 C		12.000
...4	000	AD0453 MF 0.25W RES 2% 1K5	PUR	40.0000	006152B	000		12. EA	00 C		12.000
...4	000	AD0454 MF 0.25W RES 2% 1K6	PUR	40.0000	006162B	000		2. EA	00 C		2.000
...4	000	AD0457 MF 0.25W RES 2% 2K2	PUR	40.0000	006222B	000		4. EA	00 C		4.000
...4	000	AD0465 MF 0.25W RES 2% 4K7	PUR	40.0000	006472B	000		6. EA	00 C		6.000
...4	000	AD0470 MF 0.25W RES 2% 7K5	PUR	40.0000	006752B	000		8. EA	00 C		8.000
...4	000	AD0475 MF 0.25W RES 2% 12K	PUR	40.0000	006123B	000		2. EA	00 C		2.000
...4	000	AD0485 MF 0.25W RES 2% 33K	PUR	40.0000	006333B	000		4. EA	00 C		4.000
...4	000	AD0489 MF 0.25W RES 2% 47K	PUR	40.0000	006473B	000		6. EA	00 C		6.000
...4	000	AD0494 MF 0.25W RES 2% 75K	PUR	40.0000	006753B	000		2. EA	00 C		2.000
...4	000	BA0001 DIODE 1N4148	PUR	20.0000	1N4148.TR	000		4. EA	00 C		4.000

DATE 9/03/94
 TIME 16:32:10
 REPORT DE-500

SOUNDCRAFT

PAGE 9
 PLANT MFG

REQUESTOR G BLUTE

BILL OF MATERIAL - INDENTED EXPLOSION
 EFFECTIVITY DATE: 9/03/94

LEVELS	SEQ	PART NUMBER/ DESCRIPTION	PART TYPE	FIXED L/T DAYS	DRAWING NUMBER	ENG --- REV I/O	EFFECTIVITY --- DATE ECO	BATCH QTY/ QTY PEUM	SC FC	USG CDE	TOTAL QTY
		PARENT									
		RW5142 FOLIO RACPAC CONSOLE(220V	MFG	.0000		000		1.000 EA			1.000
		COMPONENT									
..3	000	SC3415-03 RACPAC O/P SUB PCB	PUR	20.0000	SC3415 /03	000		1. EA 00 C			1.000
.2	000	RS5624 RACPAC I/P SUB & RR CON A	MFG	.0000		000		1. EA 00 C			1.000
..3	REF	AA ***PROCESS SHEET ISSUE***	REF	.0000		000		1. EA 00 C			1.000
..3	000	FH0751 JACK SOCKET CAP(FH0748/FH	PUR	30.0000		000		64. EA 00 C			64.000
..3	000	NA0068 NO.4X1/4" PAN POZI BLK S/	PUR	20.0000		000		20. EA 00 C			20.000
..3	000	NA0130 M3 X 8MM PAN POZI BLCK SC	PUR	20.0000		000		10. EA 00 C			10.000
..3	000	NC0231 M3 BLACK NYLON WASHER	PUR	20.0000		000		10. EA 00 C			10.000
..3	000	ND0398 RICHCO PCB SUPPORT	PUR	20.0000	MSPS 4-01	000		10. EA 00 C			10.000
..3	000	NF0512 SNAP RIVET BLACK SR35445B	PUR	20.0000	SR3545B	000		3. EA 00 C			3.000
..3	000	PC1191-01 RACPAC CONNECTOR PNL	PUR	30.0000	MD7073 /01	000		1. EA 00 C			1.000
..3	000	PD0444-02 RACPAC HEATSINK BRACKET	PUR	30.0000	MD7090 /02	000		1. EA 00 C			1.000
..3	000	RC3414 RACPAC RR+SUB PCB ASSY	MFG	.0000	SC3414/3	000		1. EA 00 C			1.000
...4	REF	AA ***PROCESS SHEET ISSUE***	REF	.0000		000		1. EA 00 C			1.000
...4	000	BA0005 DIODE 1N4001	PUR	20.0000	1N4001	000		3. EA 00 C			3.000
...4	000	BC0214 BDG RECT W02G	PUR	40.0000		000		2. EA 00 C			2.000
...4	000	BD0301 PNP TRANS 2SA970GR (TAPED	PUR	40.0000	25A970GR-TPE2	000		1. EA 00 C			1.000
...4	000	BD0302 NPN TRANS 2SC2240BL(TAPED	PUR	40.0000	2SC2240N-BL	000		1. EA 00 C			1.000
...4	000	BD0346 PNP TRANS 2SB737 LOW RBB	PUR	50.0000	2SB737-T93	000		20. EA 00 C			20.000
...4	000	BD0369 MPSA42 NPN TRANS	PUR	20.0000	MPSA42-NATIONAL	000		1. EA 00 C			1.000

DATE 9/03/94
 TIME 16:32:10
 REPORT DE-500

SOUNDCRAFT

PAGE 10
 PLANT MFG

REQUESTOR G BLUTE

BILL OF MATERIAL - INDENTED EXPLOSION
 EFFECTIVITY DATE: 9/03/94

LEVELS	SEQ	PART NUMBER/ DESCRIPTION	PART TYPE	FIXED L/T DAYS	DRAWING NUMBER	ENG REV	--- I/O	EFFECTIVITY DATE	--- ECO	BATCH QTY/ QTY PEUM	SC FC	USG CDE	TOTAL QTY
		PARENT											
		RW5142 FOLIO RACPAC CONSOLE(220V	MFG	.0000						1.000 EA			1.000
		COMPONENT											
...	4	000 BD0370 MPSA92 PNP TRANS	PUR	80.0000	MPSA92-MOT					1. EA	00 C		1.000
...	4	000 BE0416 V.REG 7815 +15V 1A	PUR	40.0000	LM340T-15					1. EA	00 C		1.000
...	4	000 BE0417 V.REG 7915 -15V 1A	PUR	20.0000	LM7915CT					1. EA	00 C		1.000
...	4	000 BE0455 VOLTAGE REG TL783CKC	PUR	20.0000	TL783CKC					1. EA	00 C		1.000
...	4	000 BE0482 8 PIN SIL IC NJM072BL	PUR	20.0000	JRC NJM072BL					10. EA	00 C		10.000
...	4	000 CA0004 C/CAP 0.2" PRFRM TPD 100V	PUR	20.0000	EDIBN150220G968					20. EA	00 C		20.000
...	4	000 CA0009 C/C 0.2" TAPED 100V 680PFC	PUR	20.0000	ED22B461K968					30. EA	00 C		30.000
...	4	000 CC0252 POLY-CAP 5MM 5% 63V 100N	PUR	20.0000	BF014D0104JDC					23. EA	00 C		23.000
...	4	000 CE0402 VERT ELEC 0.2" 47UF 63V	PUR	20.0000	SKP					2. EA	00 C		2.000
...	4	000 CE0416 VERT ELEC 0.2" TPD 2.2MF 5	PUR	20.0000	SSP					1. EA	00 C		1.000
...	4	000 CE0448 VERT ELEC SSP 10UF/16V	PUR	20.0000						20. EA	00 C		20.000
...	4	000 CE0452 VERT ELEC 100/100V	PUR	40.0000	SKR 100/100V					2. EA	00 C		2.000
...	4	000 CE0455 VERT ELEC 330MF/6.3V	PUR	20.0000	EKP 330UF/6.3V					10. EA	00 C		10.000
...	4	000 CE0456 VERT ELEC 47MF/50V	PUR	20.0000	EKQ 47UF/50V					21. EA	00 C		21.000
...	4	000 CE0457 VERT ELEC 33UF/16V	PUR	20.0000	SSO 33UF/16V					10. EA	00 C		10.000
...	4	000 CE0459 VERT ELEC 220UF/100V 24X1	PUR	40.0000	SKR221M2AK25V					1. EA	00 C		1.000
...	4	000 CE0460 VERT ELEC 2200/25V 26X12M	PUR	40.0000	SKR222M1EJ26V					2. EA	00 C		2.000
...	4	000 FF0627 MTHD 3WY .1" ML LCKG PLRS	PUR	40.0000	1100-8-103-01					1. EA	00 C		1.000
...	4	000 FF0860 2MM 12WY L/PRF VERT ML HD	PUR	60.0000	DF3A-12P-2DSA					2. EA	00 C		2.000

DATE 9/03/94
 TIME 16:32:10
 REPORT DE-500

SOUNDCRAFT

PAGE 11
 PLANT MFG

REQUESTOR G BLUTE

BILL OF MATERIAL - INDENTED EXPLOSION
 EFFECTIVITY DATE: 9/03/94

LEVELS	SEQ	PART NUMBER/ DESCRIPTION	PART TYPE	FIXED L/T DAYS	DRAWING NUMBER	ENG --- REV I/O	EFFECTIVITY --- DATE ECO	BATCH QTY/ QTY PEUM	SC FC	USG CDE	TOTAL QTY
		PARENT									
		RW5142 FOLIO RACPAC CONSOLE(220V	MFG	.0000		000		1.000 EA			1.000
		COMPONENT									
...4	000	FF0864 2MM 4WY L/PRF VERT LCKG M	PUR	60.0000	DF3A-4P-2DSA	000		5. EA	00	C	5.000
...4	000	FF0865 2MM 8WY L/PRF VERT LCKG M	PUR	60.0000	DF3A-8P-2DSA	000		13. EA	00	C	13.000
...4	000	FF0869 2MM 6WY L/PRF VERT LCKG M	PUR	60.0000	DF3A-6P-2DSA	000		10. EA	00	C	10.000
...4	000	FH0748 JACK SKT STEREO	PUR	30.0000	NJ3FDV3	000		43. EA	00	C	43.000
...4	000	FH0749 JACK SKT STEREO BREAK	PUR	30.0000	NJ3FDV5	000		21. EA	00	C	21.000
...4	000	FK0960 XLR CON VERT 3 PIN FML	PUR	30.0000	NC3FPRV024	000		10. EA	00	C	10.000
...4	000	RC3414A1 RACPAC RR+SUB PCB AI COMP	MFG	.0000	SC3414/3	000		1. EA	00	C	1.000
....5	REF	AA ***PROCESS SHEET ISSUE***	REF	.0000		000		1. EA	00	C	1.000
....5	000	AD0408 MF 0.25W RES 2% 20R	PUR	40.0000	006200B	000		10. EA	00	C	10.000
....5	000	AD0433 MF 0.25W RES 2% 220R	PUR	40.0000	006221B	000		2. EA	00	C	2.000
....5	000	AD0449 MF 0.25W RES 2% 1K	PUR	40.0000	006102B	000		2. EA	00	C	2.000
....5	000	AD0457 MF 0.25W RES 2% 2K2	PUR	40.0000	006222B	000		20. EA	00	C	20.000
....5	000	AD0461 MF 0.25W RES 2% 3K3	PUR	40.0000	006332B	000		20. EA	00	C	20.000
....5	000	AD0462 MF 0.25W RES 2% 3K6	PUR	40.0000	006362B	000		20. EA	00	C	20.000
....5	000	AD0465 MF 0.25W RES 2% 4K7	PUR	40.0000	006472B	000		20. EA	00	C	20.000
....5	000	AD0469 MF 0.25W RES 2% 6K8	PUR	40.0000	006682B	000		20. EA	00	C	20.000
....5	000	AD0470 MF 0.25W RES 2% 7K5	PUR	40.0000	006752B	000		40. EA	00	C	40.000
....5	000	AD0471 MF 0.25W RES 2% 8K2	PUR	40.0000	006822B	000		1. EA	00	C	1.000
....5	000	AD0475 MF 0.25W RES 2% 12K	PUR	40.0000	006123B	000		2. EA	00	C	2.000

DATE 9/03/94
 TIME 16:32:10
 REPORT DE-500

SOUNDCRAFT

PAGE 12
 PLANT MFG

REQUESTOR G BLUTE

BILL OF MATERIAL - INDENTED EXPLOSION
 EFFECTIVITY DATE: 9/03/94

LEVELS	SEQ	PART NUMBER/ DESCRIPTION	PART TYPE	FIXED L/T DAYS	DRAWING NUMBER	ENG REV	EFFECTIVITY I/O DATE	ECO	BATCH QTY/ QTY PEUM	SC FC	USG CDE	TOTAL QTY
		PARENT										
		RW5142 FOLIO RACPAC CONSOLE(220V	MFG	.0000		000			1.000 EA			1.000
		COMPONENT										
...	5	000 AD0489 MF 0.25W RES 2% 47K	PUR	40.0000	006473B	000			21. EA	00 C		21.000
...	5	000 AD0497 MF 0.25W RES 2% 100K	PUR	40.0000	006104B	000			20. EA	00 C		20.000
...	5	000 AD0513 MF 0.25W RES 2% 470K	PUR	40.0000	006474B	000			1. EA	00 C		1.000
...	5	000 BA0001 DIODE 1N4148	PUR	20.0000	1N4148.TR	000			60. EA	00 C		60.000
...	4	000 RV3059 2MM 6WY CRIMP/TRANS 50MM	PUR	60.0000	OUK543-0005-0	000			10. EA	00 C		10.000
...	4	000 RV3060 2MM 4WY CRIMP/TRANS 160MM	PUR	60.0000	OUK543-0006-0	000			1. EA	00 C		1.000
...	4	000 SC3414-03 RACPAC RR+SUB PCB	PUR	2.0000	SC3414 /03	000			1. EA	00 C		1.000
..	3	000 RV2849 SPIRIT FOLIO4 SRC WFM	MFG	1.0000		000			1. EA	00 C		1.000
...	4	000 FF0628 MTHD 3WY .1" FML	PUR	40.0000	1300-103-424	000			1. EA	00 C		1.000
...	4	000 FK0964 XLR CON ML NC4MDC-1	PUR	60.0000	NC4MDC-1	000			1. EA	00 C		1.000
...	4	000 LA0053 7/0.2 TRIPLE TWST BLK/GRN	PUR	40.0000		000			.05 M	00 C		.050
..	3	000 ZC0224 KOOL PAD LM317T/337T SLF-	PUR	20.0000	K177/AC/353	000			3. EA	00 C		3.000
.2		000 RV2937 2MM 8WY CRIMP/CRIMP 440MM	PUR	60.0000	OUK541-0010-0	000			1. EA	00 C		1.000
.2		000 RV3061 2MM 12WY CRIMP/CRIMP 300M	PUR	60.0000	OUK543-0007-0	000			1. EA	00 C		1.000
.2		000 RV3062 2MM 12WY CRIMP/CRIMP 440M	PUR	60.0000	OUK543-0008-0	000			1. EA	00 C		1.000
.2		000 RV3064 2MM 8WY CRIMP/CRIMP 350MM	PUR	60.0000	OUK543-0010-0	000			1. EA	00 C		1.000
1		000 TA0274 RACPAC CARTON	PUR	20.0000		000			1. EA	00 C		1.000
1		000 TB0232 RACPAC L/R END POLY	PUR	20.0000		000			1. EA	00 C		1.000
1		000 ZL0040 SPIRIT FOLIO PRODUCT STIC	PUR	20.0000		000			1. EA	00 C		1.000

DATE 9/03/94
 TIME 16:32:10
 REPORT DE-500

SOUNDCRAFT

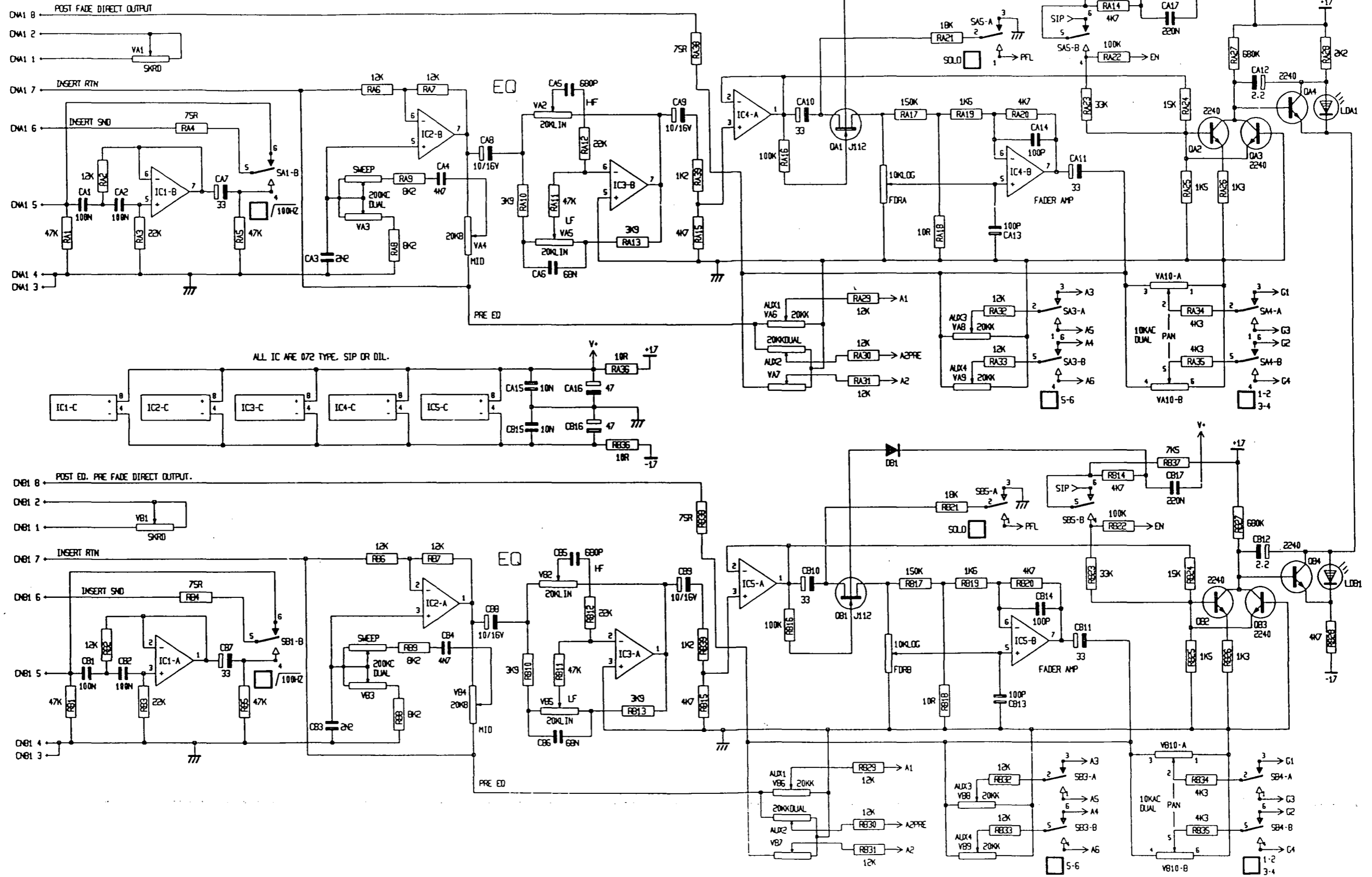
PAGE 13
 PLANT MFG

REQUESTOR G BLUTE

BILL OF MATERIAL - INDENTED EXPLOSION
 EFFECTIVITY DATE: 9/03/94

LEVELS	SEQ	PART NUMBER/ DESCRIPTION	PART TYPE	FIXED L/T DAYS	DRAWING NUMBER	ENG REV	--- I/O	EFFECTIVITY DATE	--- ECO	BATCH QTY/ QTY PEUM	SC FC	USG CDE	TOTAL QTY
		PARENT											
		RW5142 FOLIO RACPAC CONSOLE(220V	MFG	.0000		000				1.000 EA			1.000
		COMPONENT											
1	000	ZM0061 RACPAC USER GUIDE - ENGLI	PUR	20.0000		000				1. EA	00 C		1.000
1	000	Z22688 SPIRIT WARRANTY CARD	PUR	.0000		000				1. EA	00 C		1.000

END OF REPORT



ALL IC ARE 072 TYPE, SIP OR DIL.

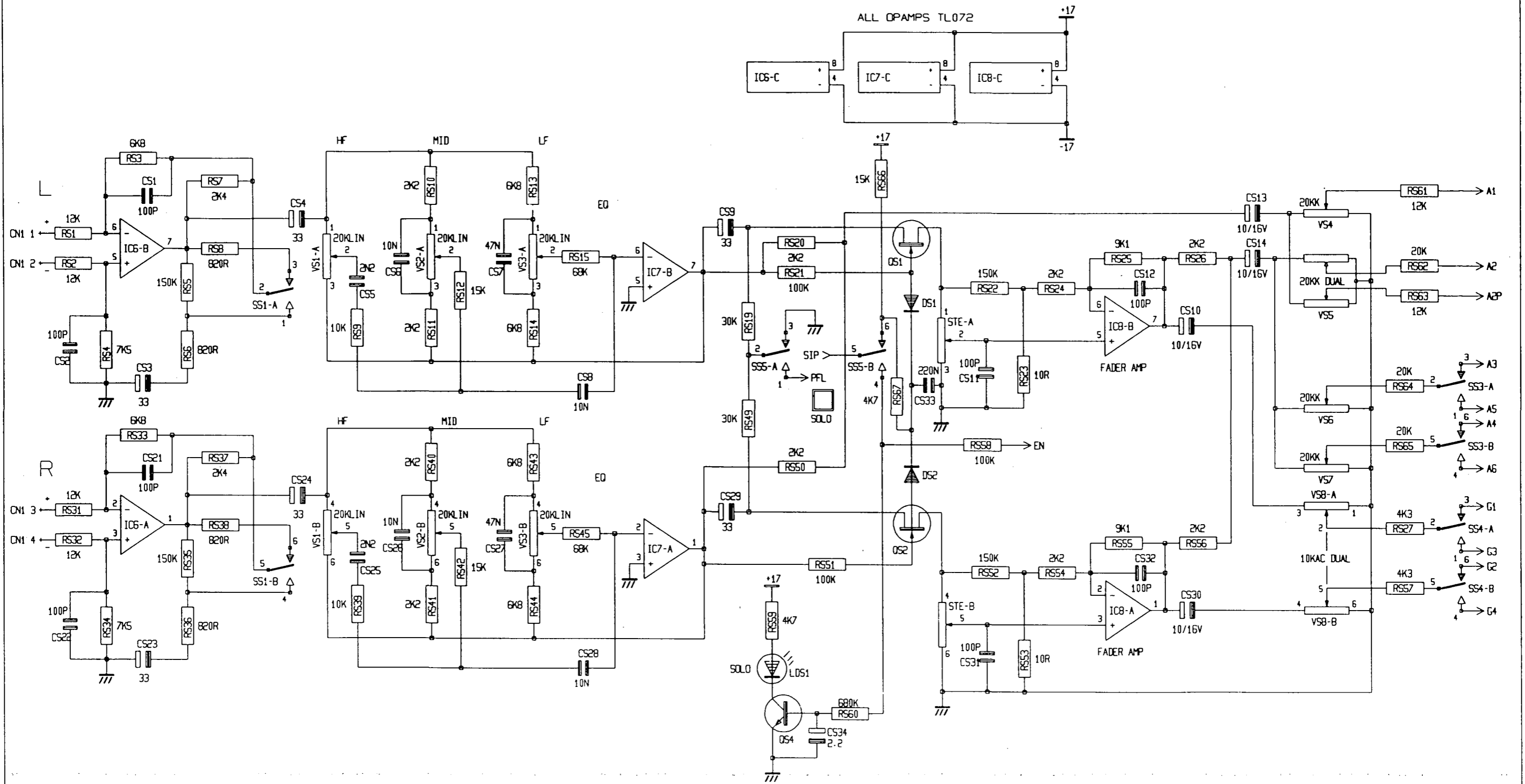
SOUNDCRAFT ELECTRONICS LTD OWNS THE COPYRIGHT OF THIS DRAWING WHICH IS NOT TO BE COPIED, REPRODUCED OR DISCLOSED, IN PART OR IN WHOLE TO A THIRD PARTY WITHOUT WRITTEN PERMISSION.

NOTES

NOTES

SOUNDCRAFT ELECTRONICS LTD, CRANBORNE HOUSE, CRANBORNE INDUSTRIAL ESTATE, CRANBORNE ROAD, POTTERS BAR, HERTS., ENG 3, U.K. TEL: 0707 665000 FAX: 0707 660482

DRW. G-B	TITLE RACPAC MONO INPUT
	DRG NO. ED3413A



SOUNDCRAFT ELECTRONICS LTD. OWNS THE COPYRIGHT OF THIS DRAWING WHICH IS NOT TO BE COPIED, REPRODUCED OR DISCLOSED, IN PART OR IN WHOLE TO A THIRD PARTY WITHOUT WRITTEN PERMISSION.

NOTES

NOTES

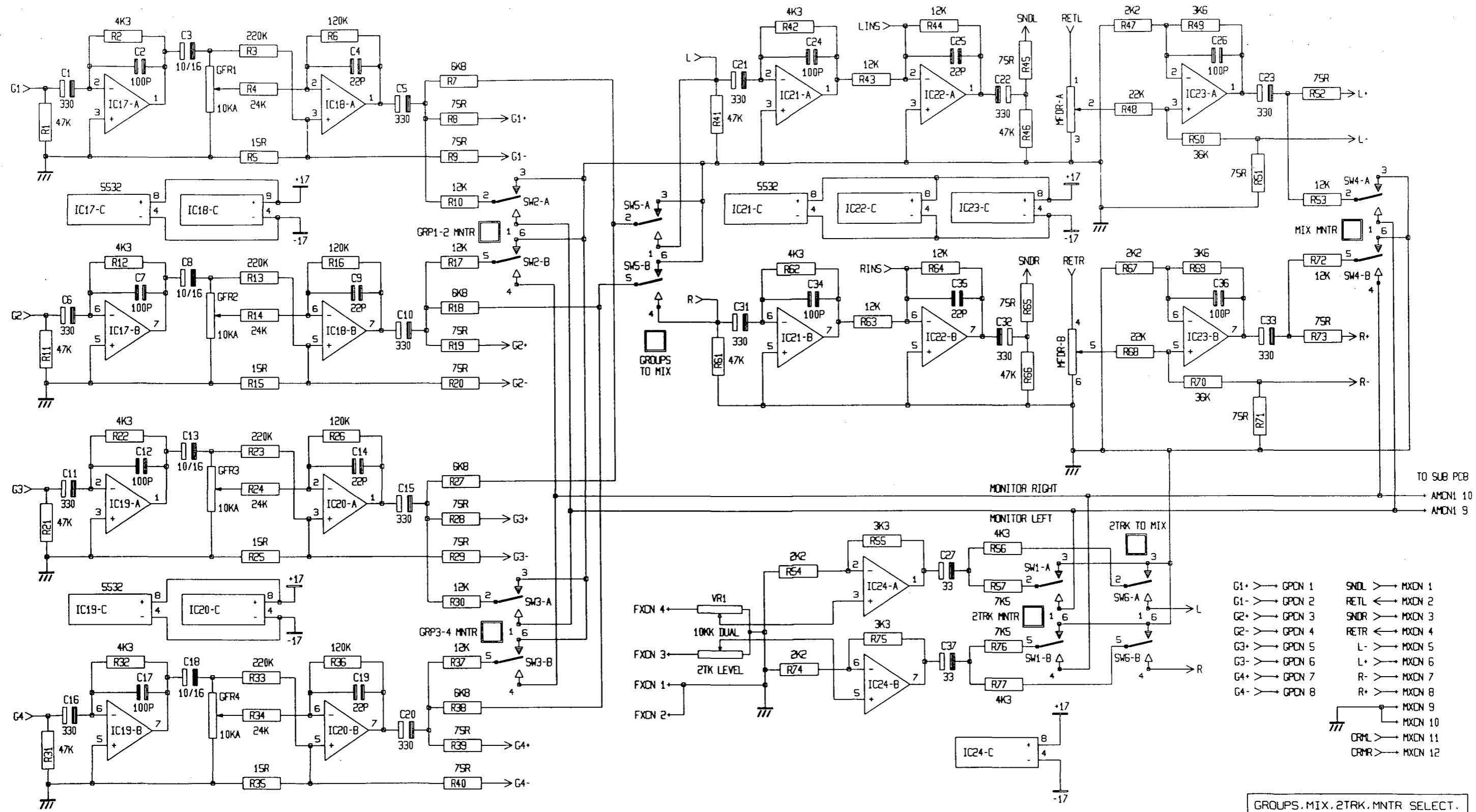
SOUNDCRAFT ELECTRONICS LTD.
CRANBORNE HOUSE,
CRANBORNE INDUSTRIAL ESTATE,
CRANBORNE ROAD,
POTTERS BAR,
HERTS. EN6 3JN
TEL: 0707 665000
FAX: 0707 660482

DRN. GHB

TITLE
RACPAC STEREO INPUT

DRG NO. ED 3413B

SHT. 2 OF 6



- G1+ → GPCN 1
- G1- → GPCN 2
- G2+ → GPCN 3
- G2- → GPCN 4
- G3+ → GPCN 5
- G3- → GPCN 6
- G4+ → GPCN 7
- G4- → GPCN 8
- SNDR → MXCN 1
- RETL → MXCN 2
- SNDR → MXCN 3
- RETR → MXCN 4
- L- → MXCN 5
- L+ → MXCN 6
- R- → MXCN 7
- R+ → MXCN 8
- MXCN 9
- CRML → MXCN 10
- CRMR → MXCN 12

GROUPS.MIX.2TRK.MNTR SELECT.

SOUNDCRAFT ELECTRONICS LTD. OWNS THE COPYRIGHT OF THIS DRAWING WHICH IS NOT TO BE COPIED, REPRODUCED OR DISCLOSED, IN PART OR IN WHOLE TO A THIRD PARTY WITHOUT WRITTEN PERMISSION.

NOTES

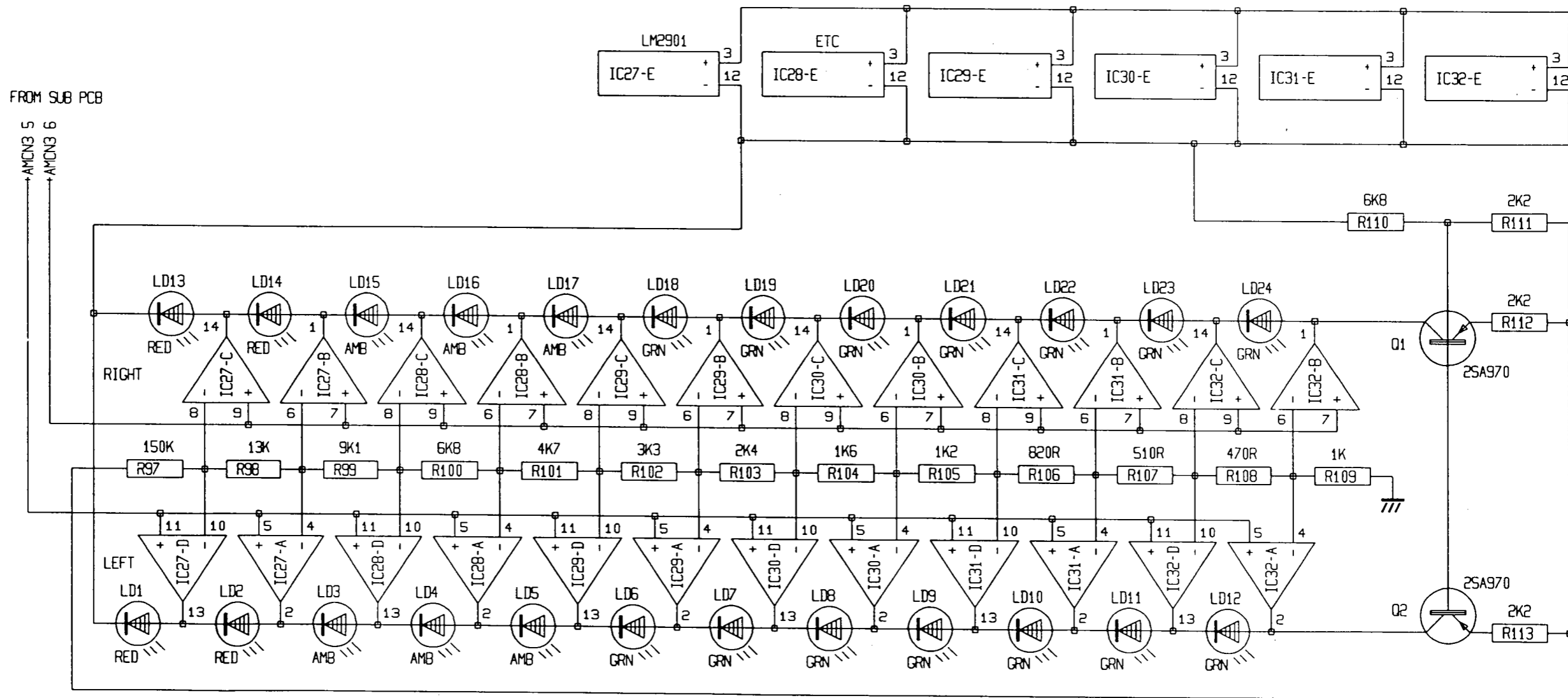
NOTES

SOUNDCRAFT ELECTRONICS LTD.
 CRANBORNE HOUSE,
 CRANBORNE INDUSTRIAL ESTATE,
 CRANBORNE ROAD,
 POTTERS BAR,
 HERTS., EN6 3JN
 TEL: 0707 665000
 FAX: 0707 660482

DRN. GHB

TITLE
 RACPAC
 OUTPUT 1

DRG NO. ED3413C



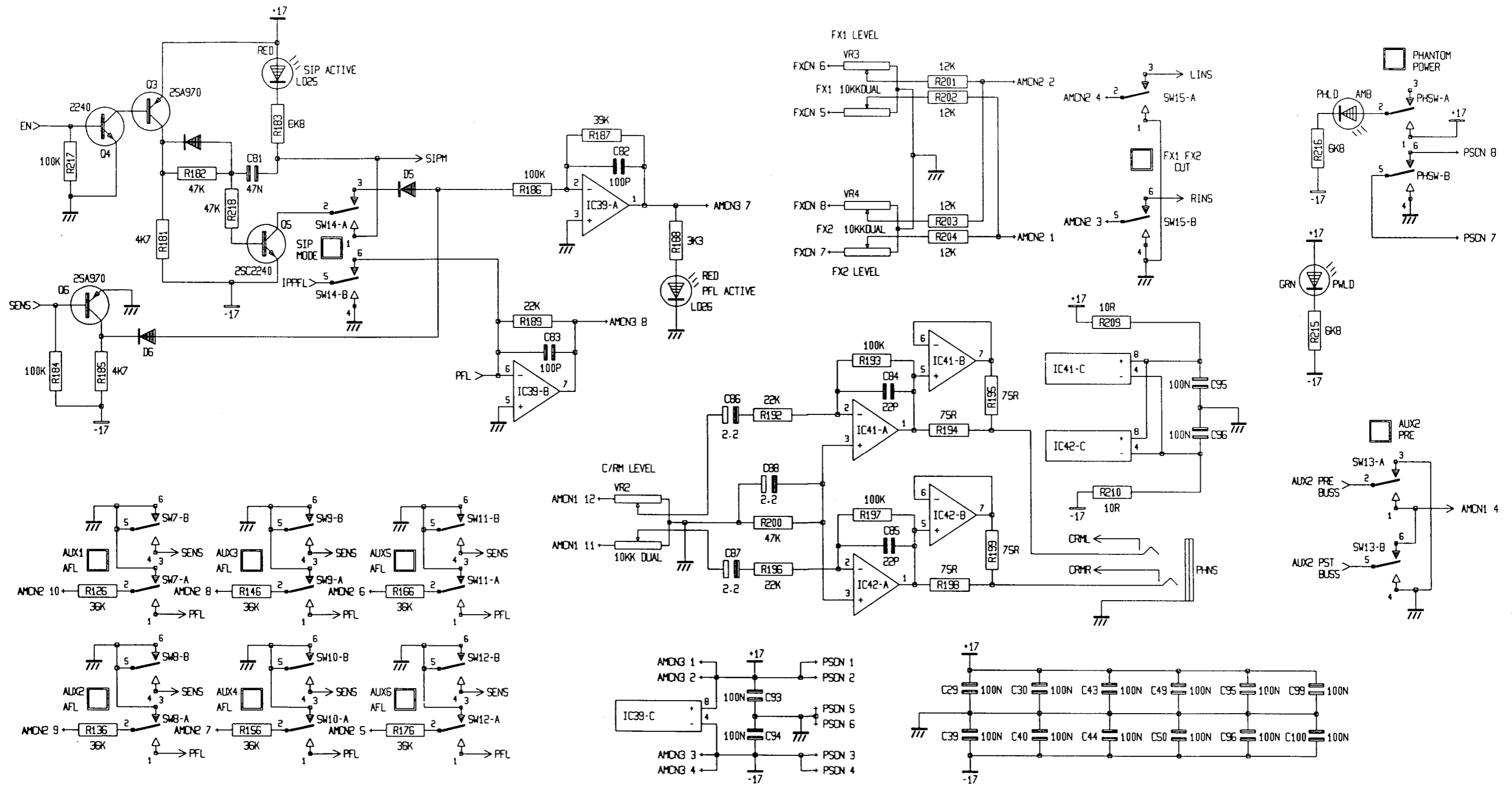
STEREO LED METER

SOUNDCRAFT ELECTRONICS LTD OWNS THE COPYRIGHT OF THIS DRAWING WHICH IS NOT TO BE COPIED, REPRODUCED OR DISCLOSED, IN PART OR IN WHOLE TO A THIRD PARTY WITHOUT WRITTEN PERMISSION.

NOTES

SOUNDCRAFT ELECTRONICS LTD.
 CRANBORNE HOUSE,
 CRANBORNE INDUSTRIAL ESTATE,
 CRANBORNE ROAD,
 POTTERS BAR,
 HERTS.. ENG 3JN.
 TEL: 0707 665000
 FAX: 0707 660482

DRN.	GHB	TITLE	RACPAC OUTPUT 2
		DRG NO.	ED 3413D



PFL/SIP LOGIC, PHONES, AUX AFL ETC.

SOUNDCRAFT ELECTRONICS LTD. OWNS THE COPYRIGHT OF THIS DRAWING WHICH IS NOT TO BE COPIED, REPRODUCED OR DISCLOSED, IN PART OR IN WHOLE TO A THIRD PARTY WITHOUT WRITTEN PERMISSION.

NOTES

NOTES

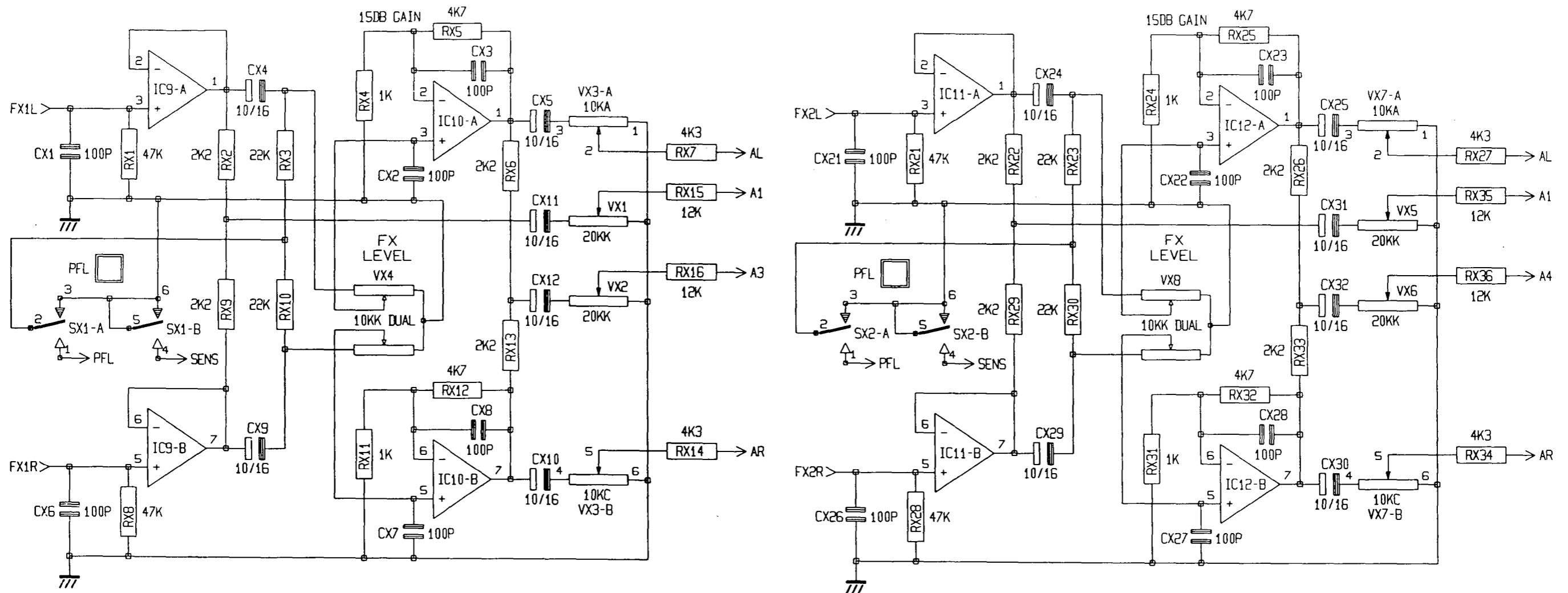
SOUNDCRAFT ELECTRONICS LTD.
CRANBORNE HOUSE,
CRANBORNE INDUSTRIAL ESTATE,
CRANBORNE ROAD,
POTTERS BAR,
HERTS., EN6 3JN
TEL: 0707 665000
FAX: 0707 660482

DRN. GHB

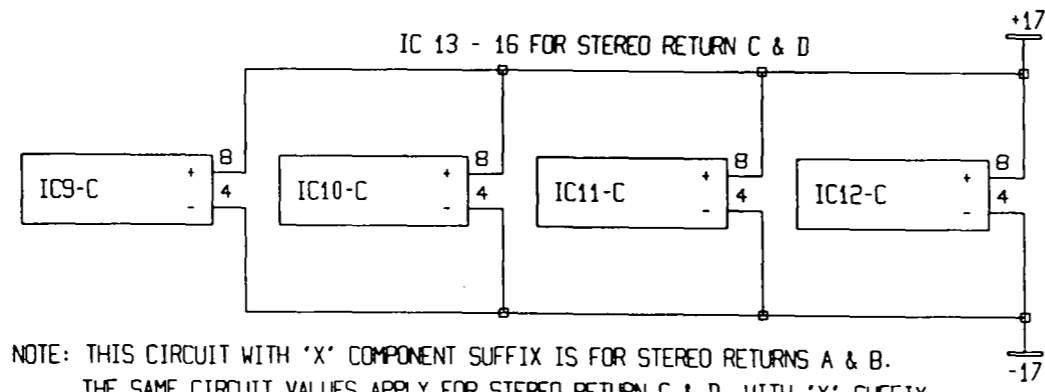
TITLE
**RACPAC
OUTPUT 3**

DRG NO. ED 3413E

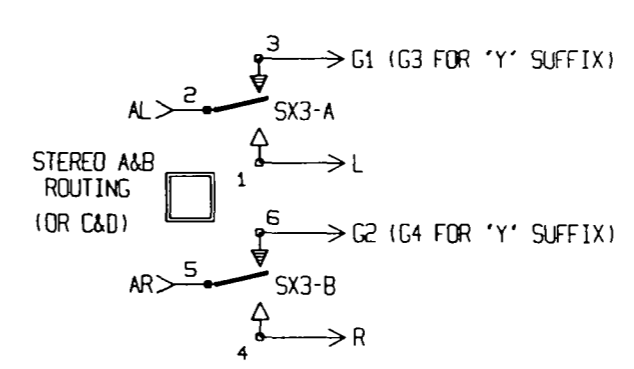
SHT.5 OF 6



- FX12 1 → FX1R STE-A
- FX12 2 → FX1L STE-A
- FX12 3 → FX2R STE-B
- FX12 4 → FX2L STE-B
- FX34 1 → FX3R STE-C
- FX34 2 → FX3L STE-C
- FX34 3 → FX4R STE-D
- FX34 4 → FX4L STE-D



NOTE: THIS CIRCUIT WITH 'X' COMPONENT SUFFIX IS FOR STEREO RETURNS A & B.
THE SAME CIRCUIT VALUES APPLY FOR STEREO RETURN C & D. WITH 'Y' SUFFIX.



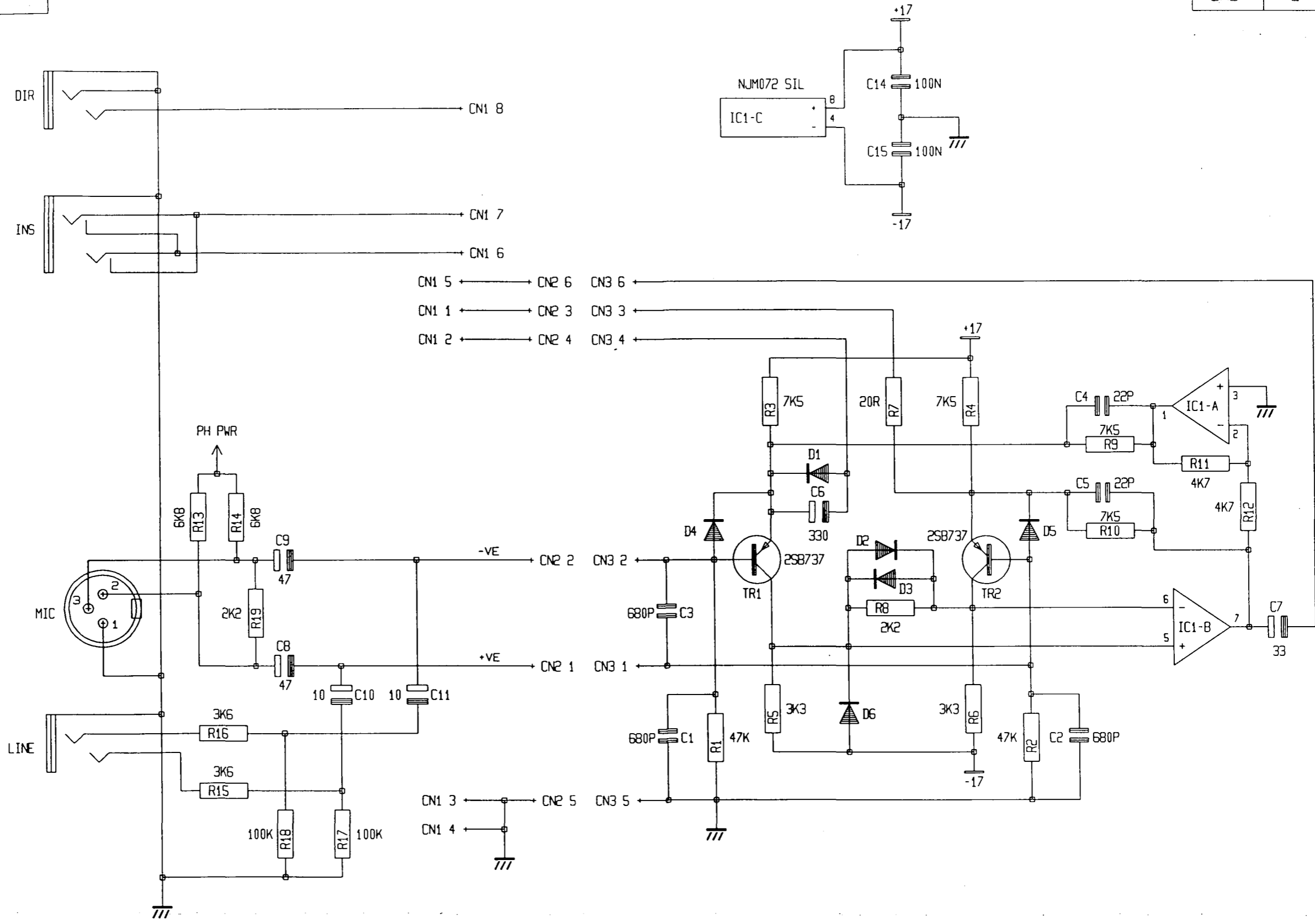
SOUNDCRAFT ELECTRONICS LTD OWNS THE COPYRIGHT OF THIS DRAWING WHICH IS NOT TO BE COPIED, REPRODUCED OR DISCLOSED. IN PART OR IN WHOLE TO A THIRD PARTY WITHOUT WRITTEN PERMISSION.

NOTES

SOUNDCRAFT ELECTRONICS LTD. CRANBORNE HOUSE, CRANBORNE INDUSTRIAL ESTATE, CRANBORNE ROAD, POTTERS BAR, HERTS., ENG 3JN. TEL: 0707 665000 FAX: 0707 660482

DRN. GHB

TITLE RACPAC OUTPUT 4
DRG NO. ED 3413F SHT. 6 OF 6



SOUNDCRAFT ELECTRONICS LTD OWNS THE COPYRIGHT OF THIS DRAWING WHICH IS NOT TO BE COPIED, REPRODUCED OR DISCLOSED, IN PART OR IN WHOLE TO A THIRD PARTY WITHOUT WRITTEN PERMISSION.

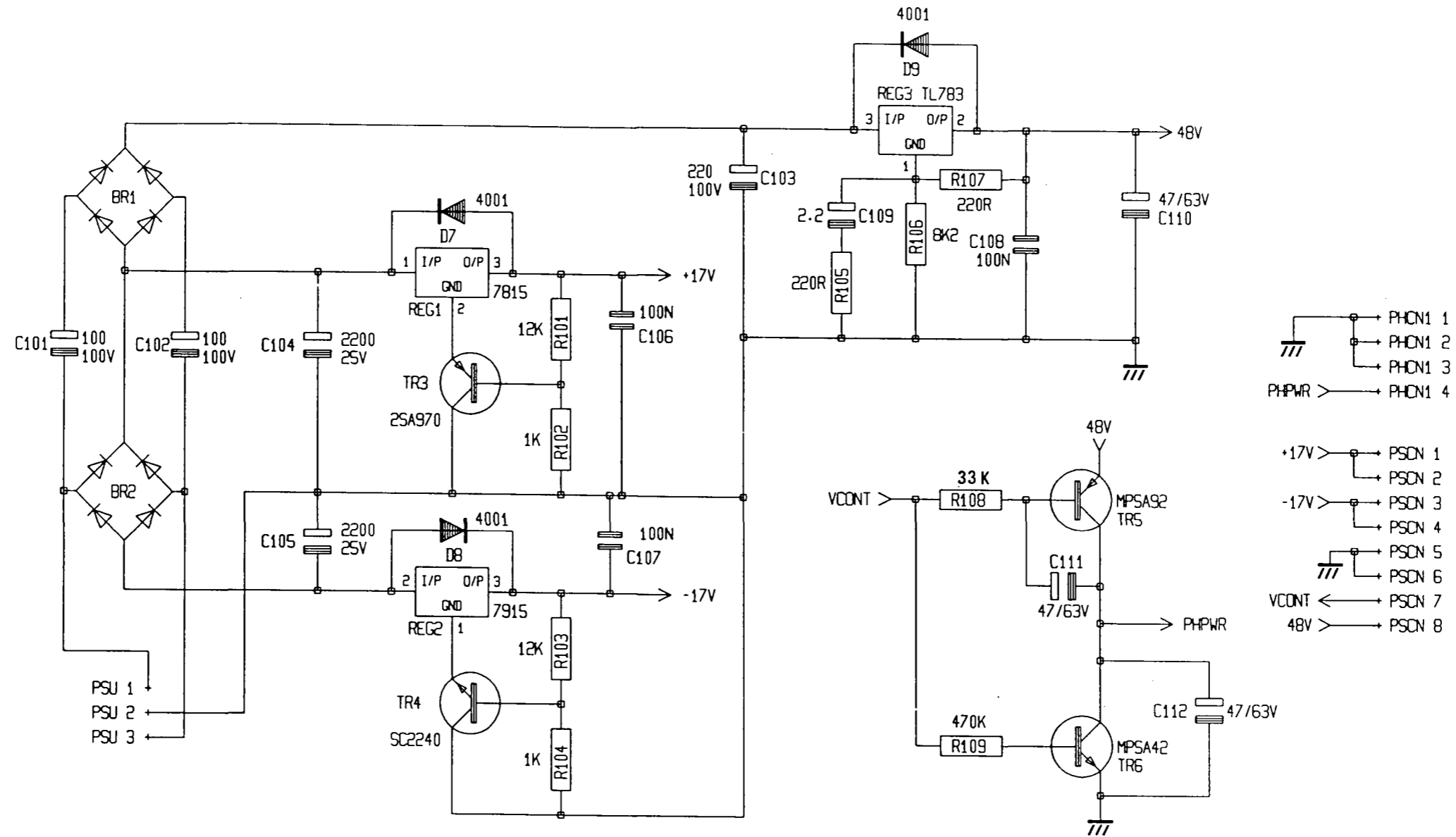
NOTES

SOUNDCRAFT ELECTRONICS LTD. CRANBORNE HOUSE, CRANBORNE INDUSTRIAL ESTATE, CRANBORNE ROAD, POTTERS BAR, HERTS., EN6 3JN. TEL: 0707 665000 FAX: 0707 660482

DRN. GHB

TITLE RACPAC INPUT REARCON AND SUB PCB

DRG NO. ED3414A



SOUNDCRAFT ELECTRONICS LTD OWNS THE COPYRIGHT OF THIS DRAWING WHICH IS NOT TO BE COPIED, REPRODUCED OR DISCLOSED, IN PART OR IN WHOLE TO A THIRD PARTY WITHOUT WRITTEN PERMISSION.

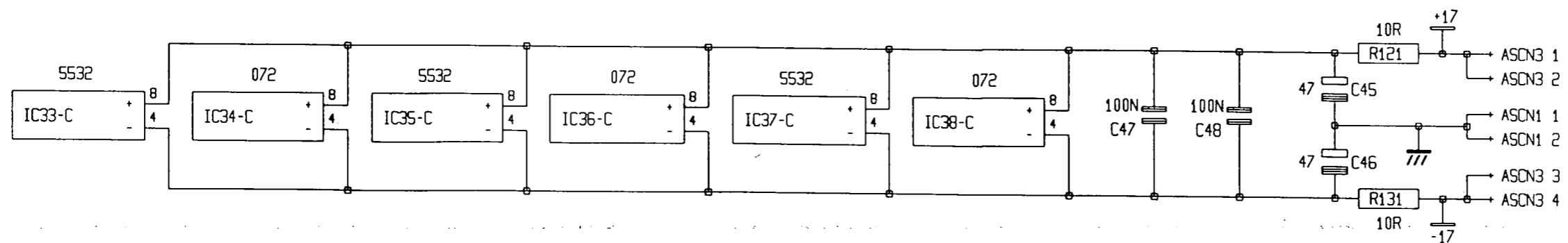
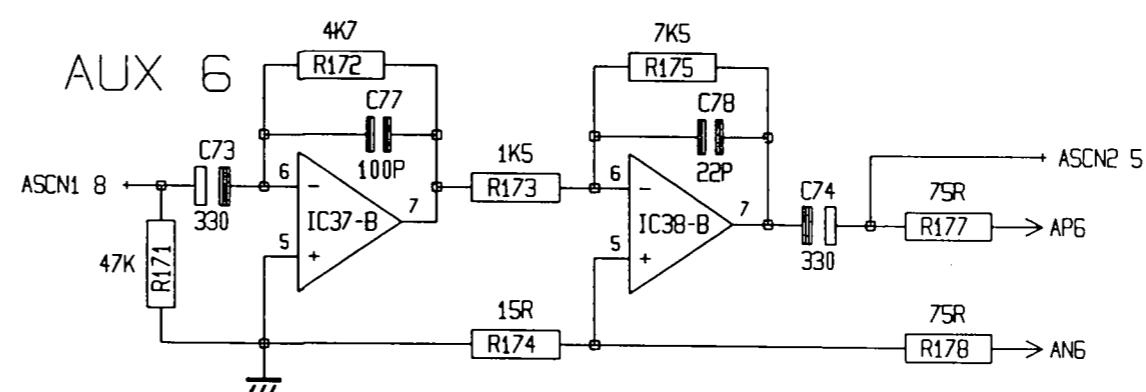
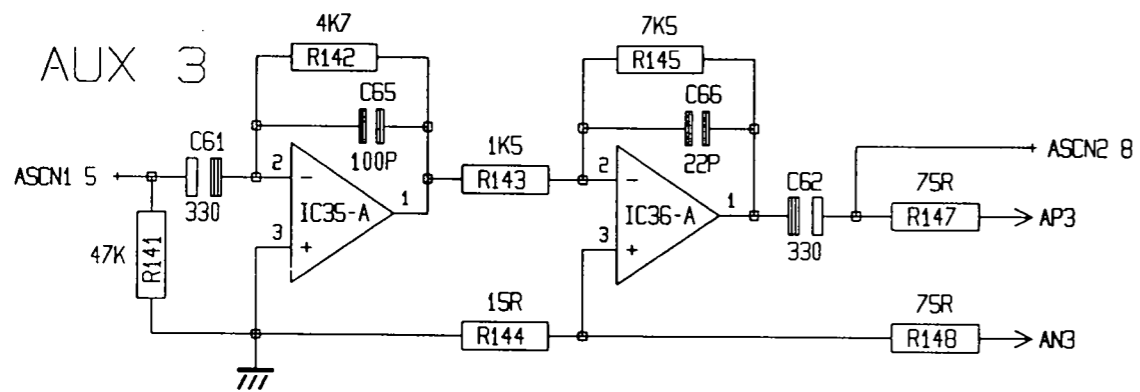
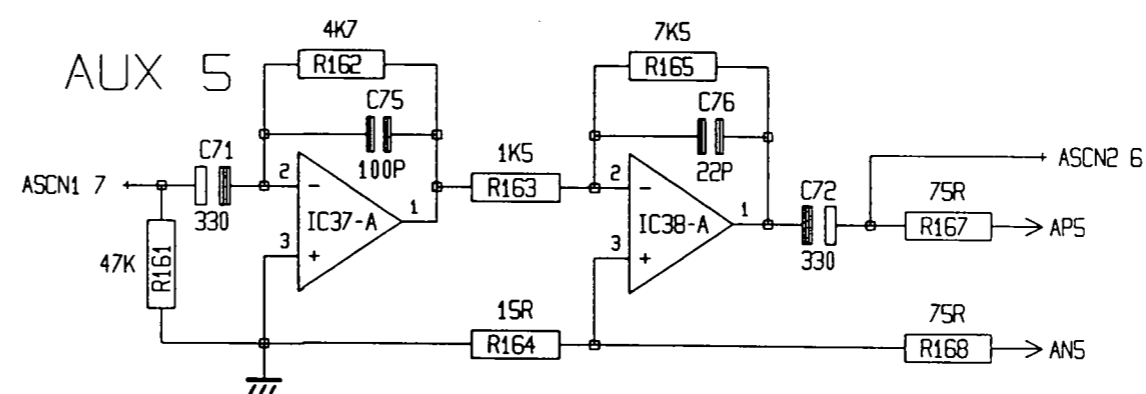
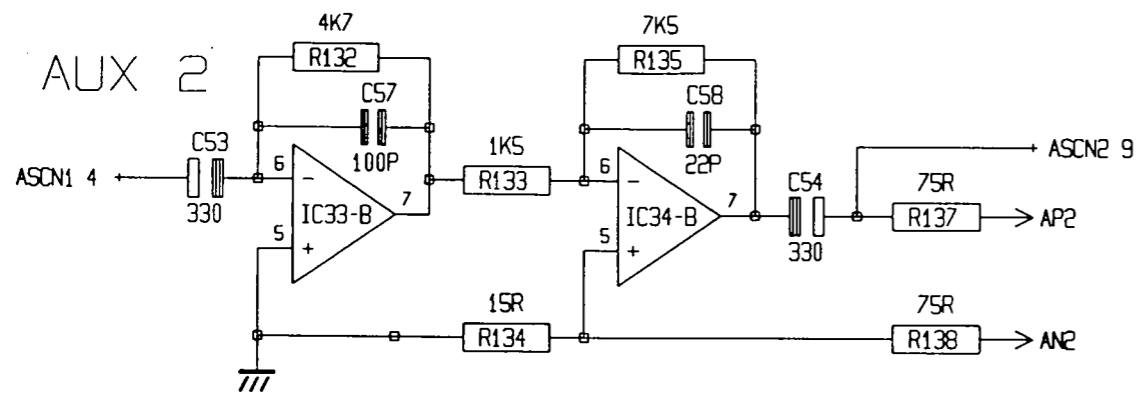
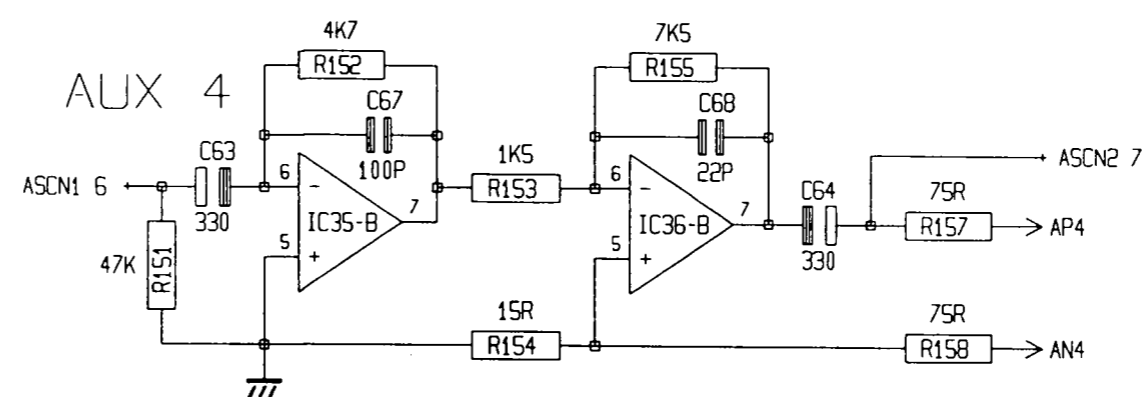
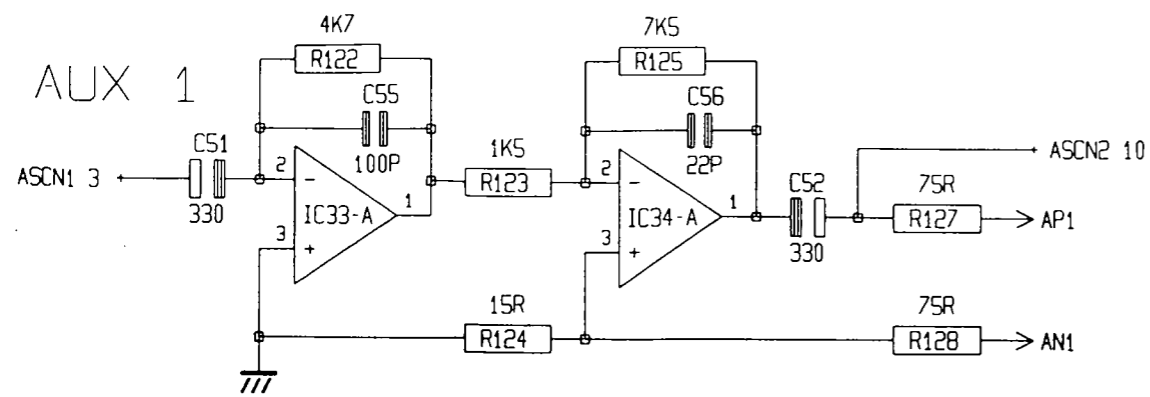
NOTES

SOUNDCRAFT ELECTRONICS LTD.
CRANBORNE HOUSE,
CRANBORNE INDUSTRIAL ESTATE,
CRANBORNE ROAD,
POTTERS BAR,
HERTS., EN6 3JN.
TEL: 0707 665000
FAX: 0707 660482

DRN. GHB

TITLE RACPAC PSU PCB

DRG NO. ED3414B



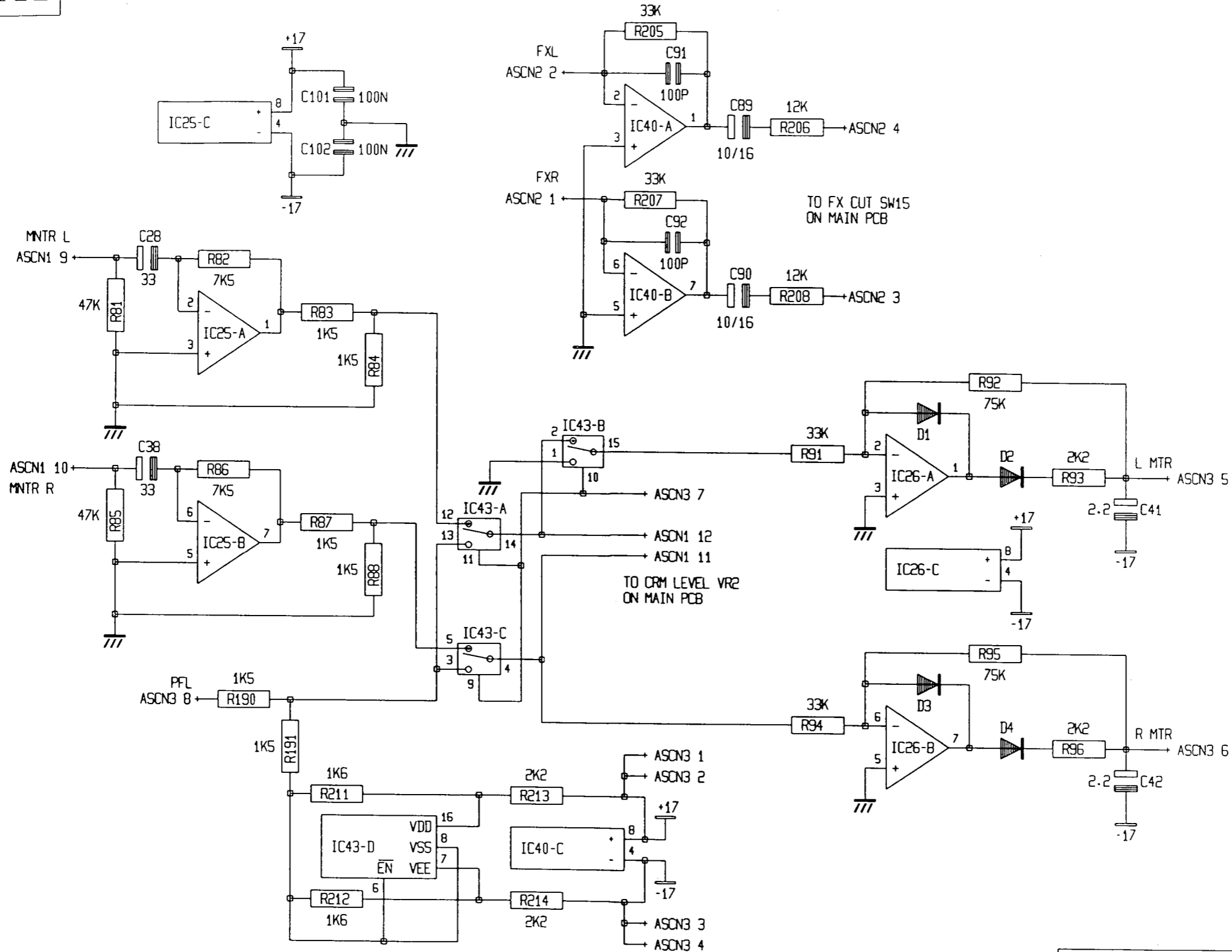
OUTPUT AND AUX MASTER

SOUNDCRAFT ELECTRONICS LTD OWNS THE COPYRIGHT OF THIS DRAWING WHICH IS NOT TO BE COPIED, REPRODUCED OR DISCLOSED, IN PART OR IN WHOLE TO A THIRD PARTY WITHOUT WRITTEN PERMISSION.

NOTES

SOUNDCRAFT ELECTRONICS LTD. CRANBORNE HOUSE, CRANBORNE INDUSTRIAL ESTATE, CRANBORNE ROAD, POTTERS BAR, HERTS., ENG 3JN. TEL: 0707 665000 FAX: 0707 660482

DRN.	GHB	TITLE	RACPAC SUB PCB
		DRG NO.	ED3415A
			SHT. 1 OF 2



PFL SWITCHING, RECTIFIERS, FX, MNTR SUM.

SOUNDCRAFT ELECTRONICS LTD OWNS THE COPYRIGHT OF THIS DRAWING WHICH IS NOT TO BE COPIED, REPRODUCED OR DISCLOSED, IN PART OR IN WHOLE TO A THIRD PARTY WITHOUT WRITTEN PERMISSION.

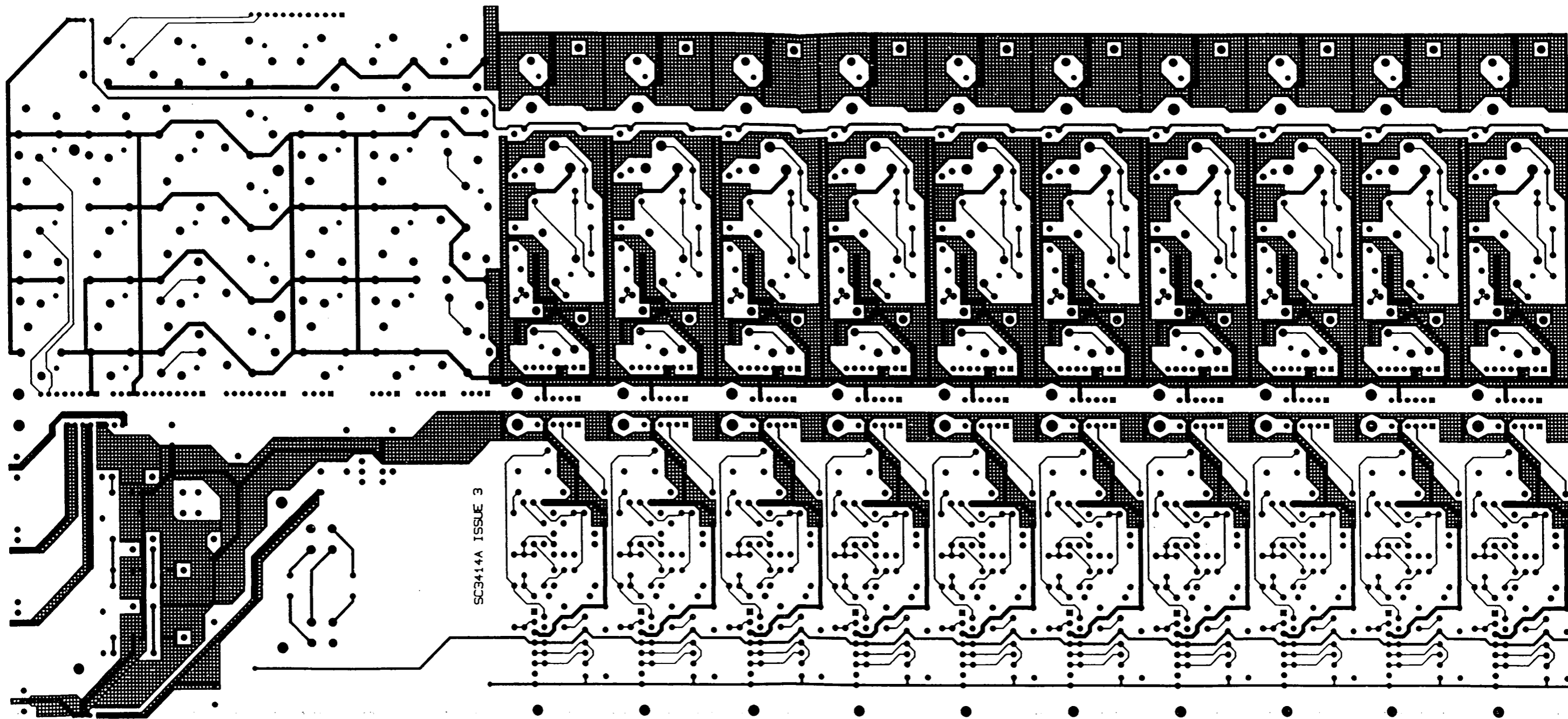
NOTES

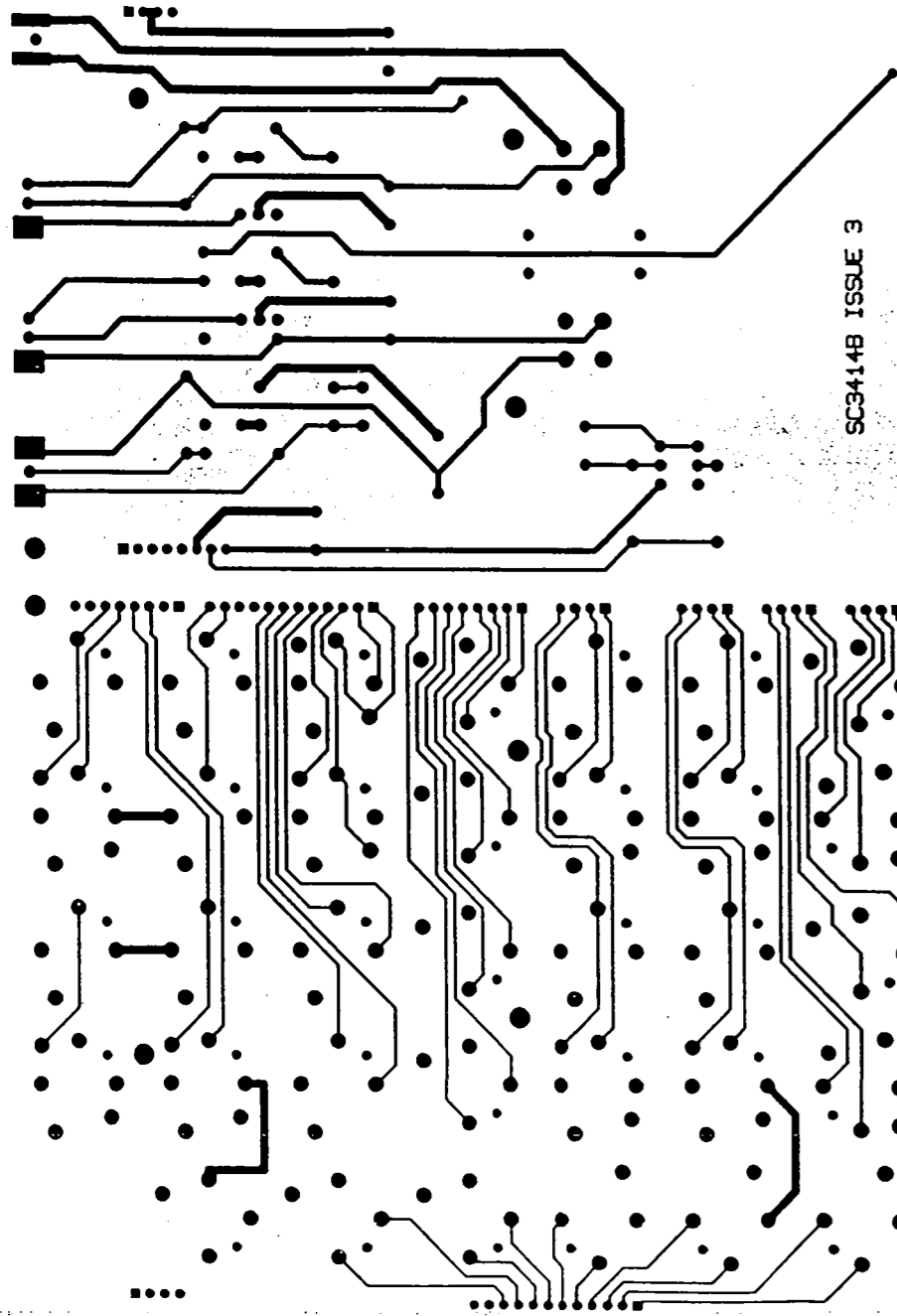
SOUNDCRAFT ELECTRONICS LTD. CRANBORNE HOUSE, CRANBORNE INDUSTRIAL ESTATE, CRANBORNE ROAD, POTTERS BAR, HERTS., EN9 3JN. TEL: 0707 665000 FAX: 0707 660482

DRN. GHB

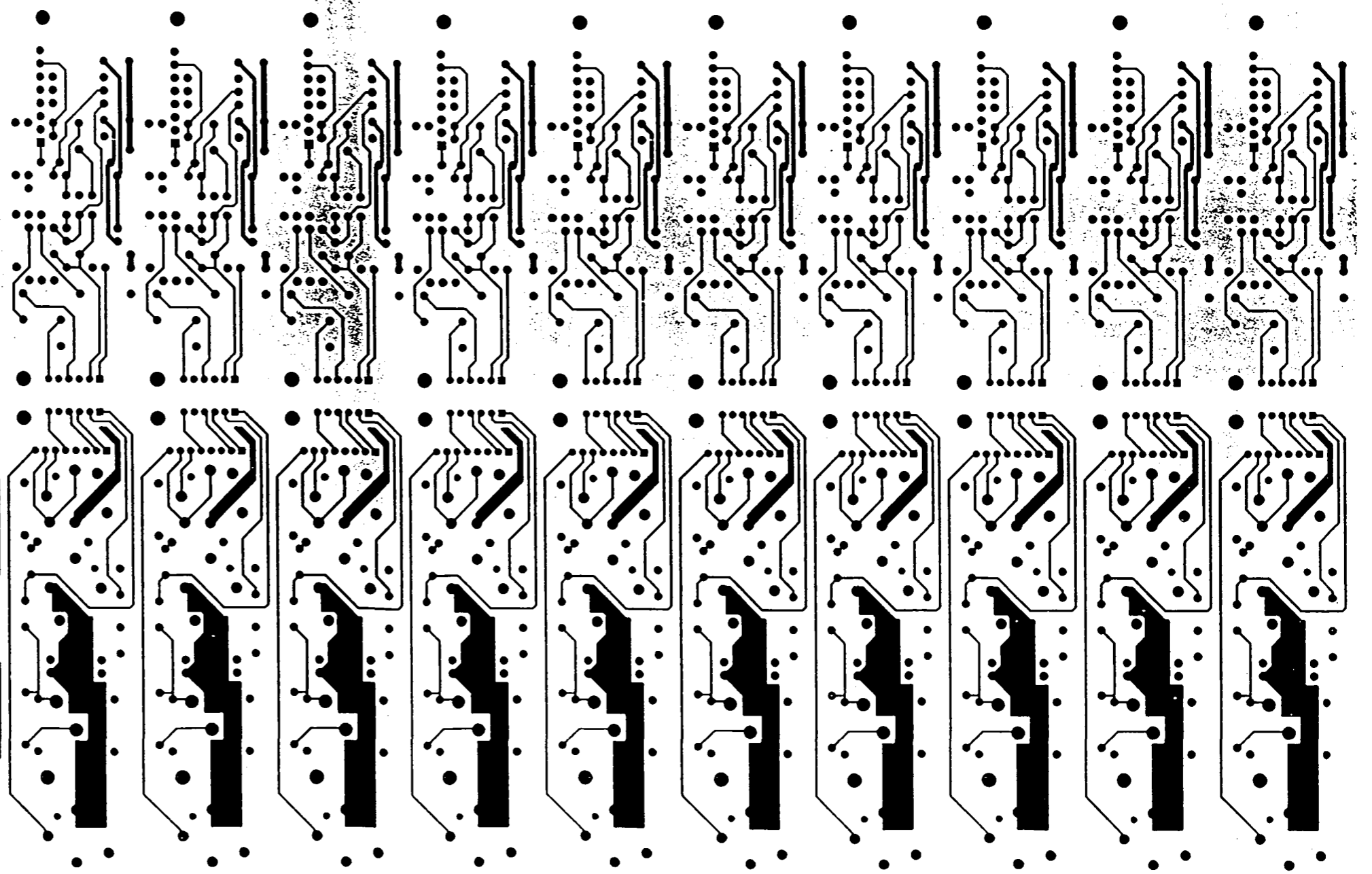
TITLE RACPAC SUB PCB

DRG NO. ED3415B

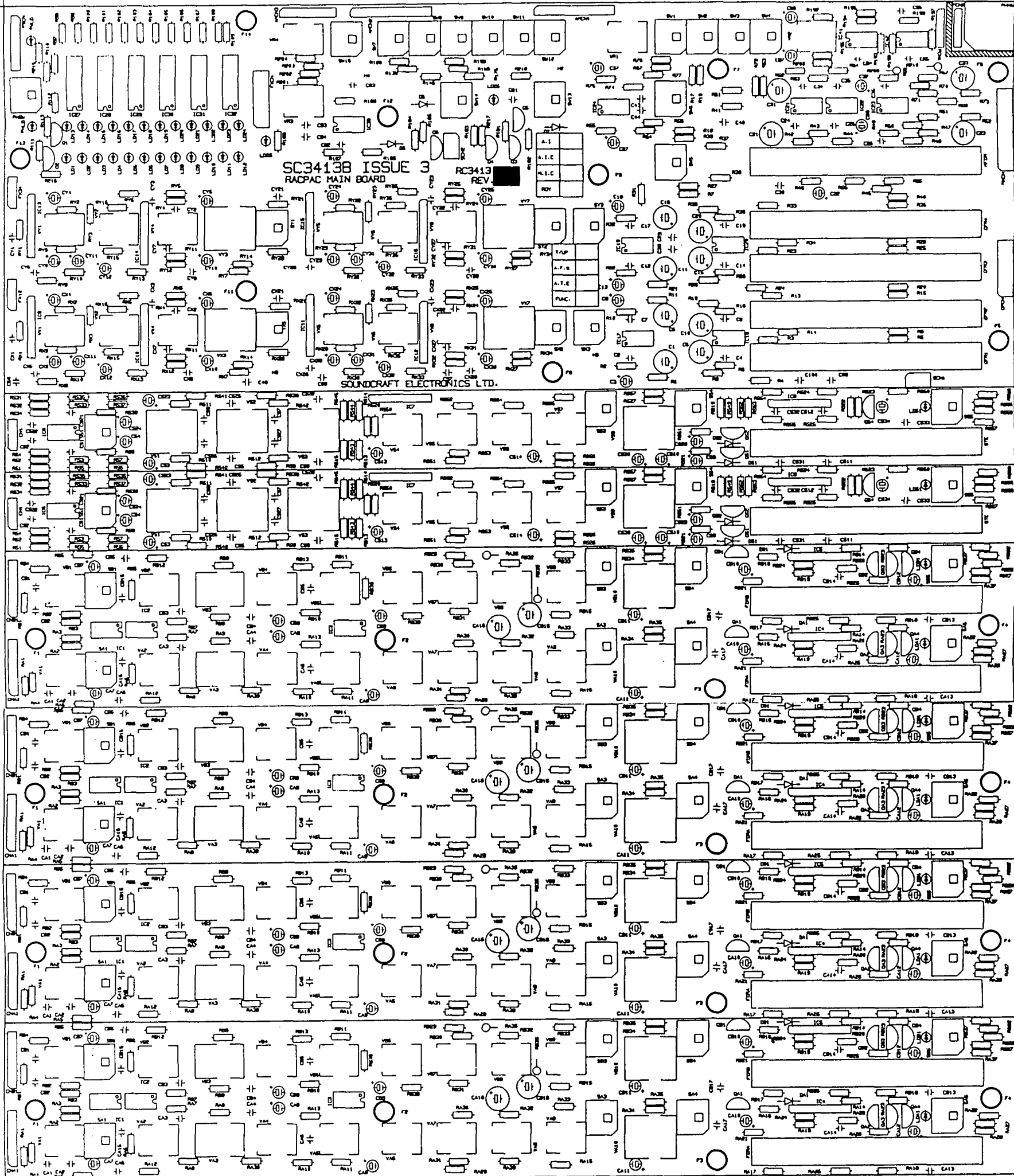


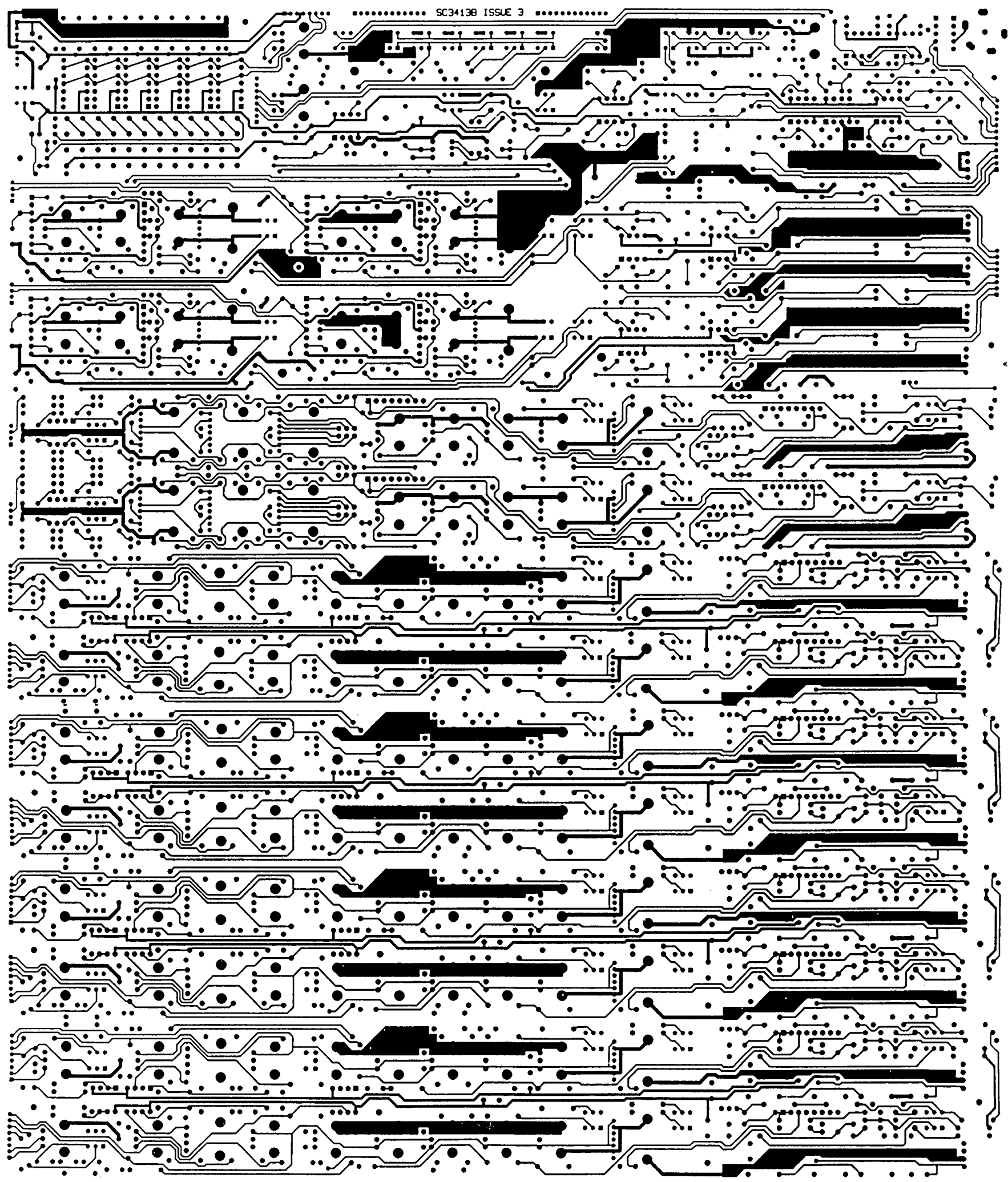


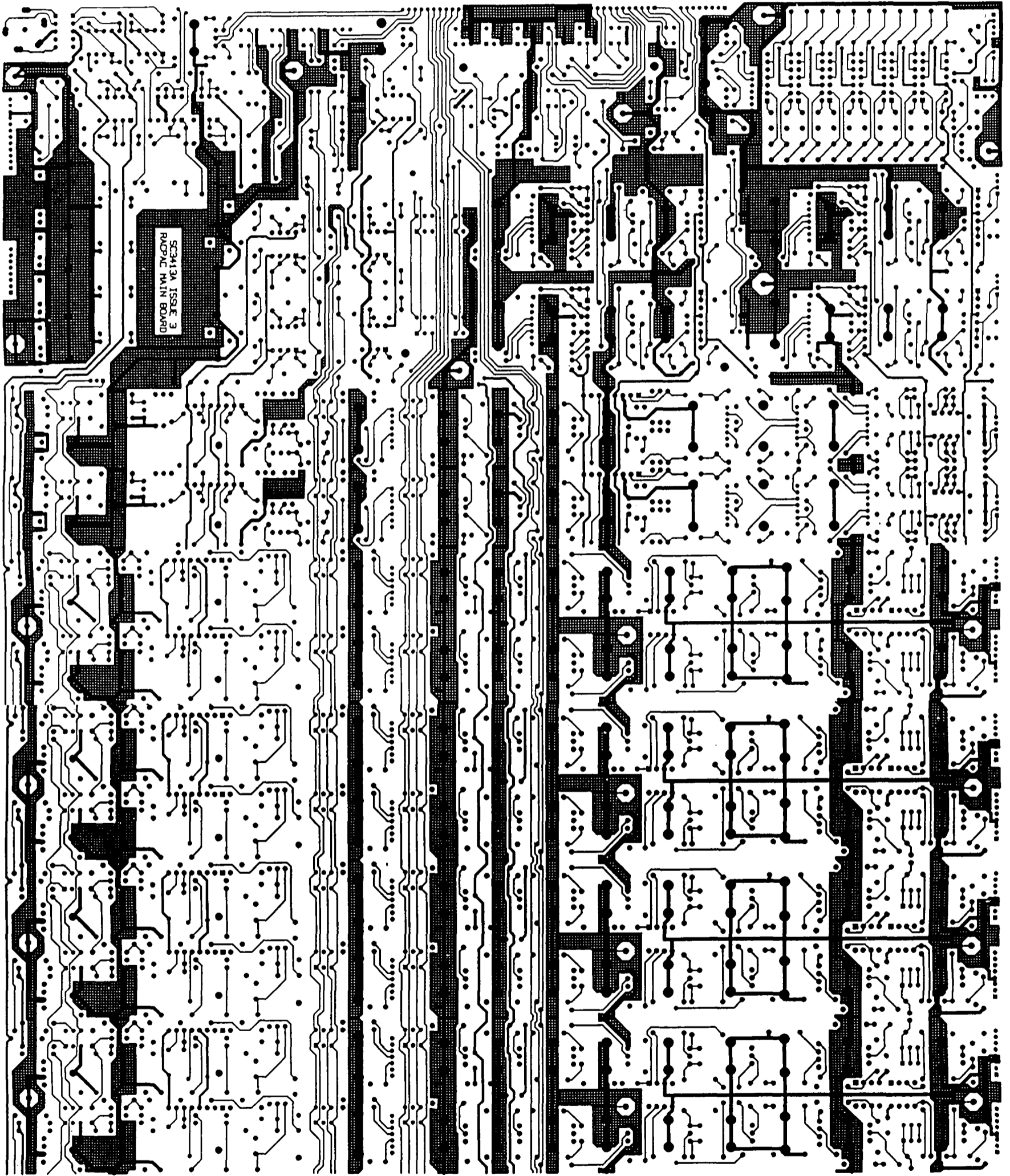
SC3414B ISSUE 3



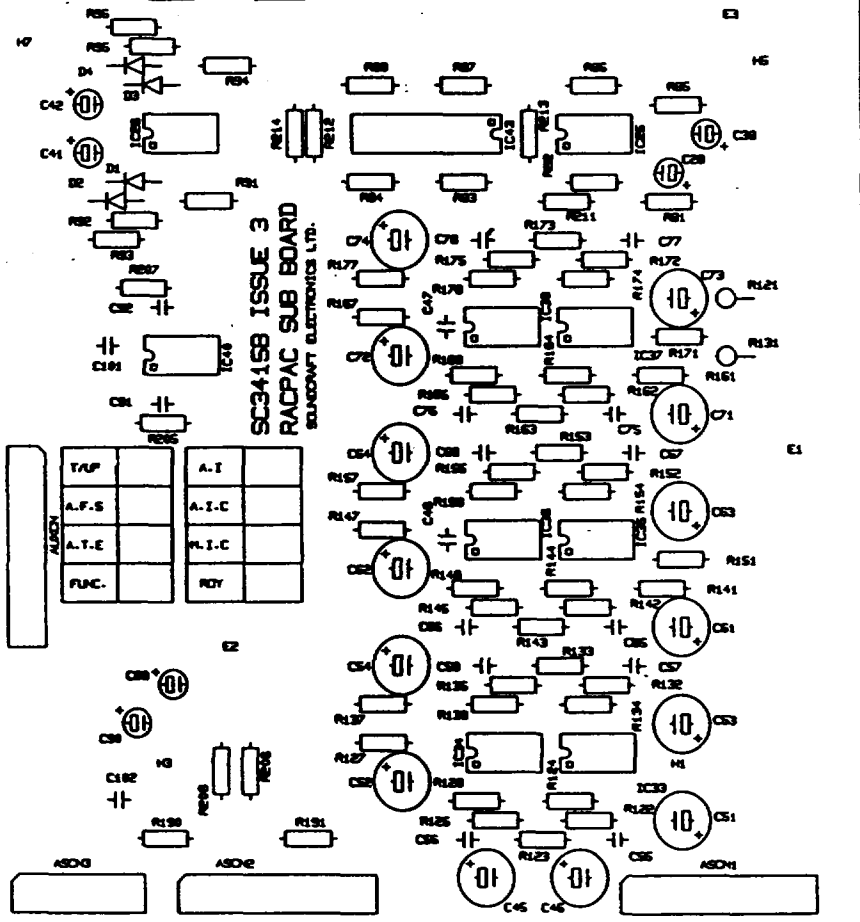
RACPAC MAIN PCB SC3413 ISSUE 3







RC3415 REV

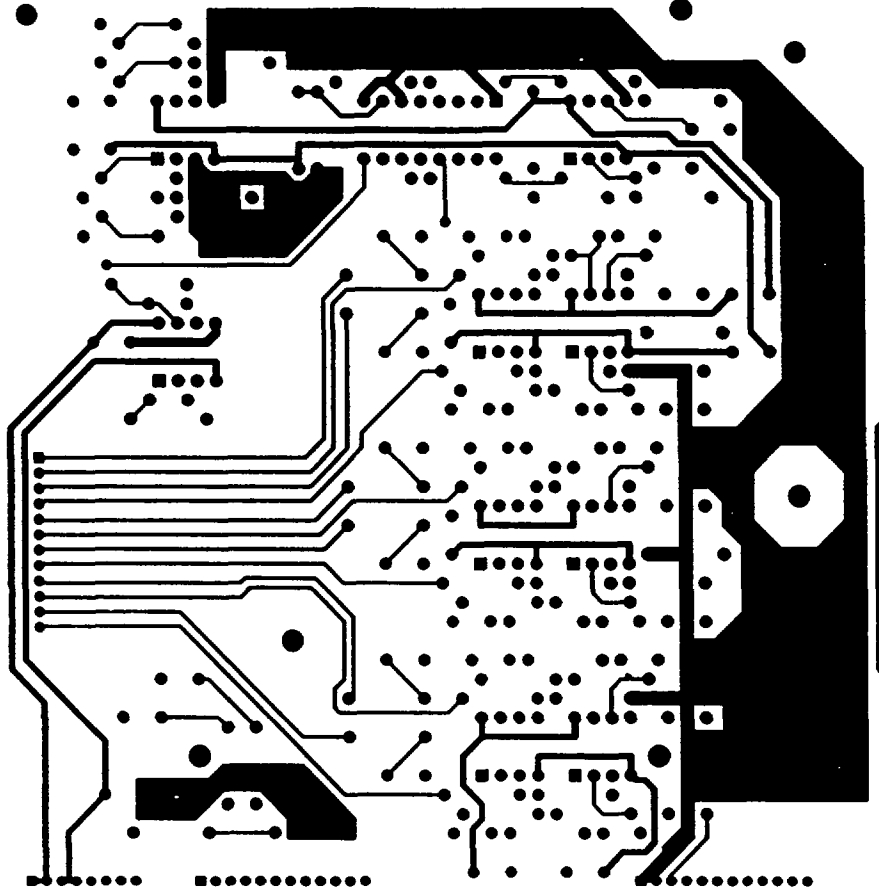


SC3415B ISSUE 3
 RACPAC SUB BOARD
 SELKOWAT ELECTRONICS LTD.

ALOCK	T/P	A-T
	A.F.S	A.Z.C
	A.T.E	PL.I.C
	PLAC.	ROY

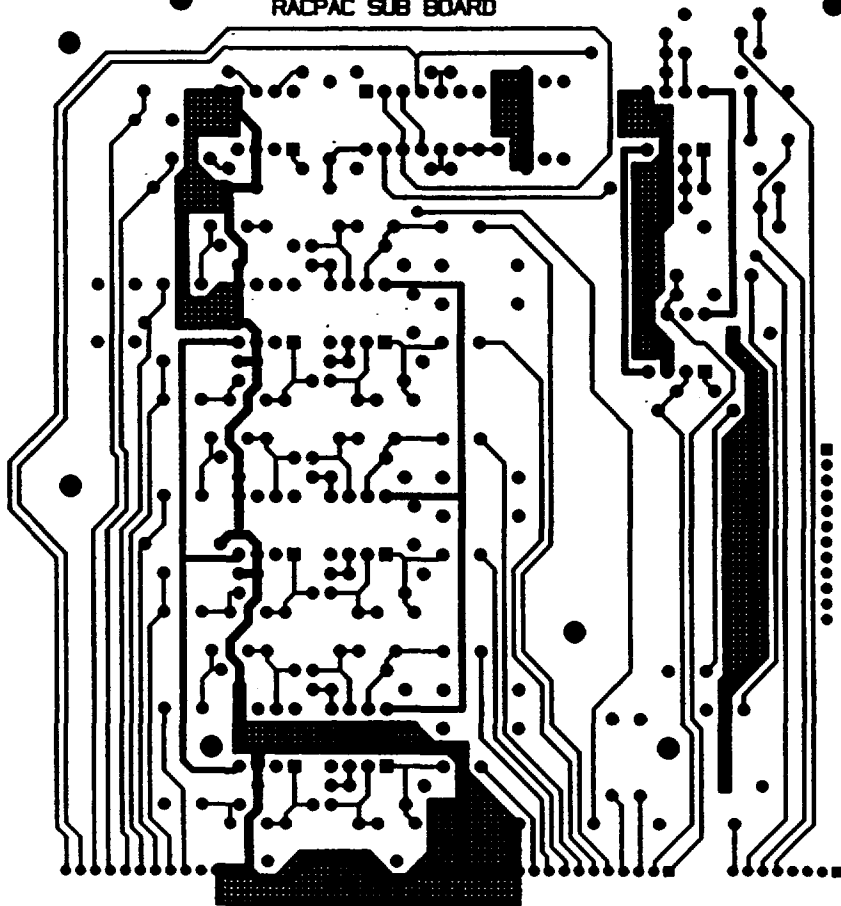
CP3415 ISSUE 3 28/2/94
 RACPAC SUB BOARD

SC3415B ISSUE 3



SC3415B ISSUE 3 28/2/94
RACPAC SUB BOARD

SC3415A ISSUE 3
RACPAC SUB BOARD



SC3415A ISSUE 3 28/2/94
RACPAC SUB BOARD