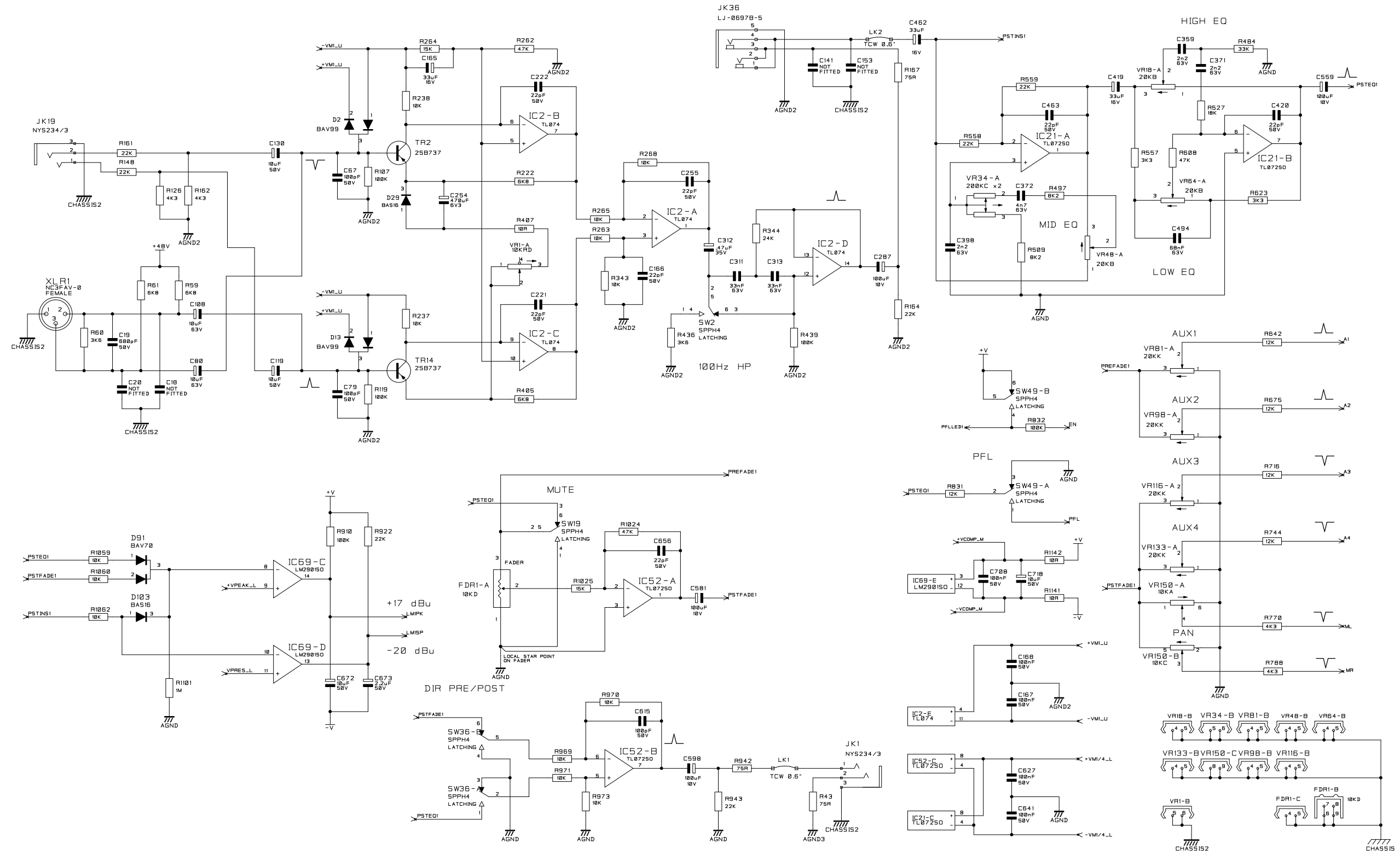


SOUNDCRAFT OWN THE COPYRIGHT OF THIS DRAWING WHICH IS NOT TO BE COPIED, REPRODUCED OR DISCLOSED, IN PART OR WHOLE TO A THIRD PARTY WITHOUT PRIOR WRITTEN PERMISSION.

SOUNDCRAFT
HARMAN INT. INDUSTRIES LTD.
CRANBORNE HOUSE,
CRANBORNE ROAD,
POTTERS BAR,
HERTS. EN9 3JN.
TEL: 01707 665000
FAX: 01707 660482

NOTES

DRN.	PMD	CN No.	INITIAL	DATE	ISSUE	TITLE SPIRIT M12
DATE	30-11-00	PRE-PROD	PMD	30-11-00	01A	
MASTER IF RED		PRE-PROD	PMD	09-02-01	02A	
						DRG NO. ED4098-02A
						SHT. 1 OF 23

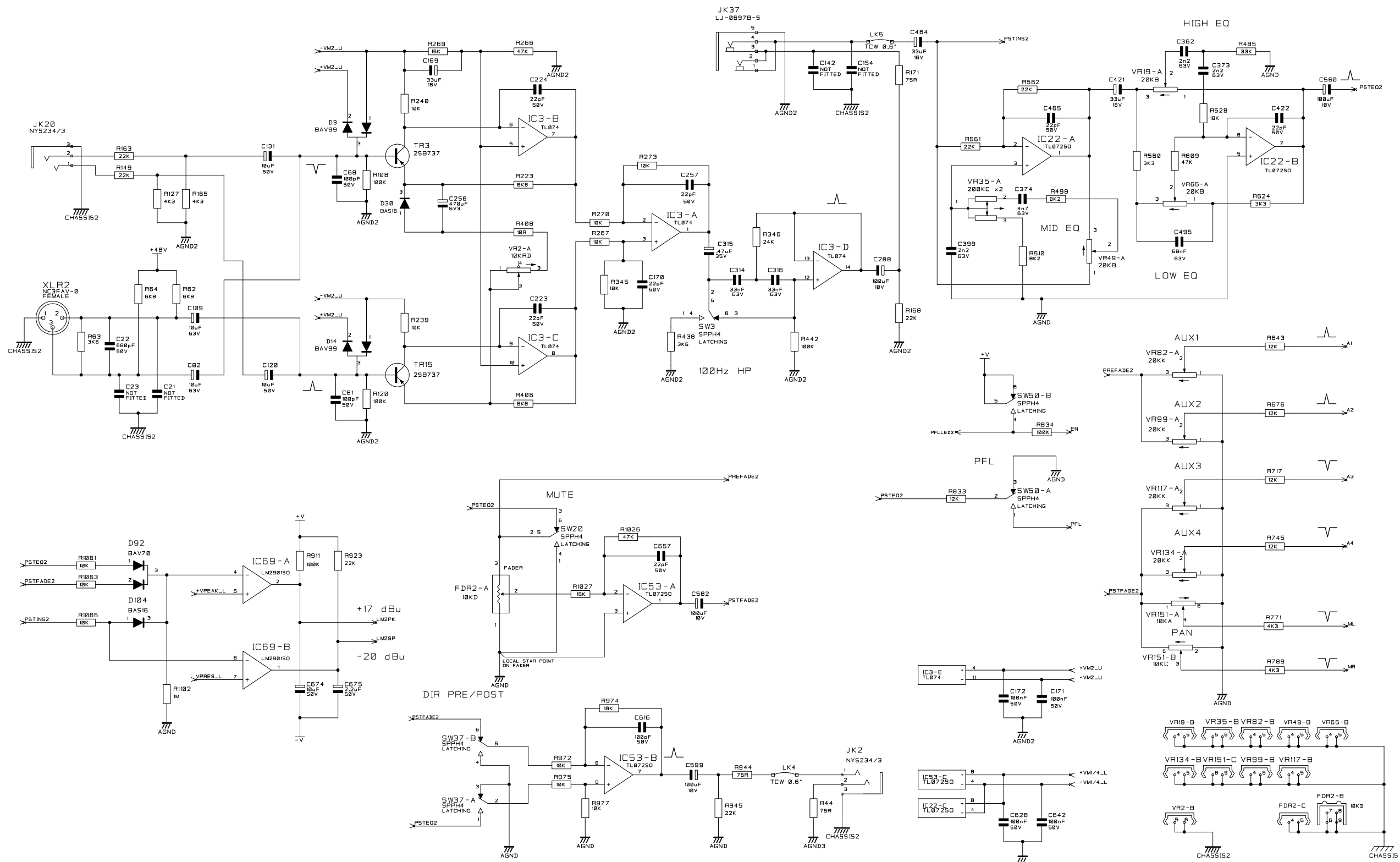


SOUNDCRAFT OWN THE COPYRIGHT OF THIS DRAWING WHICH IS NOT TO BE COPIED, REPRODUCED OR DISCLOSED, IN PART OR WHOLE TO A THIRD PARTY WITHOUT PRIOR WRITTEN PERMISSION.

SOUNDCRAFT
HARMAN INT. INDUSTRIES LTD.
CRANBORNE HOUSE,
CRANBORNE ROAD,
POTTERS BAR,
HERTS. EN9 3JN.
TEL: 01707 665000
FAX: 01707 660482

NOTES

DRN.	PMD	CN No.	INITIAL	DATE	ISSUE	TITLE
DATE	30-11-00	PRE-PROD	PMD	30-11-00	01A	SPIRIT M12 MONO INPUT CHANNEL 1
		PRE-PROD	PMD	09-02-01	02A	
MASTER IF RED						DRG NO. ED4098-02A
						SHT. 2 OF 23

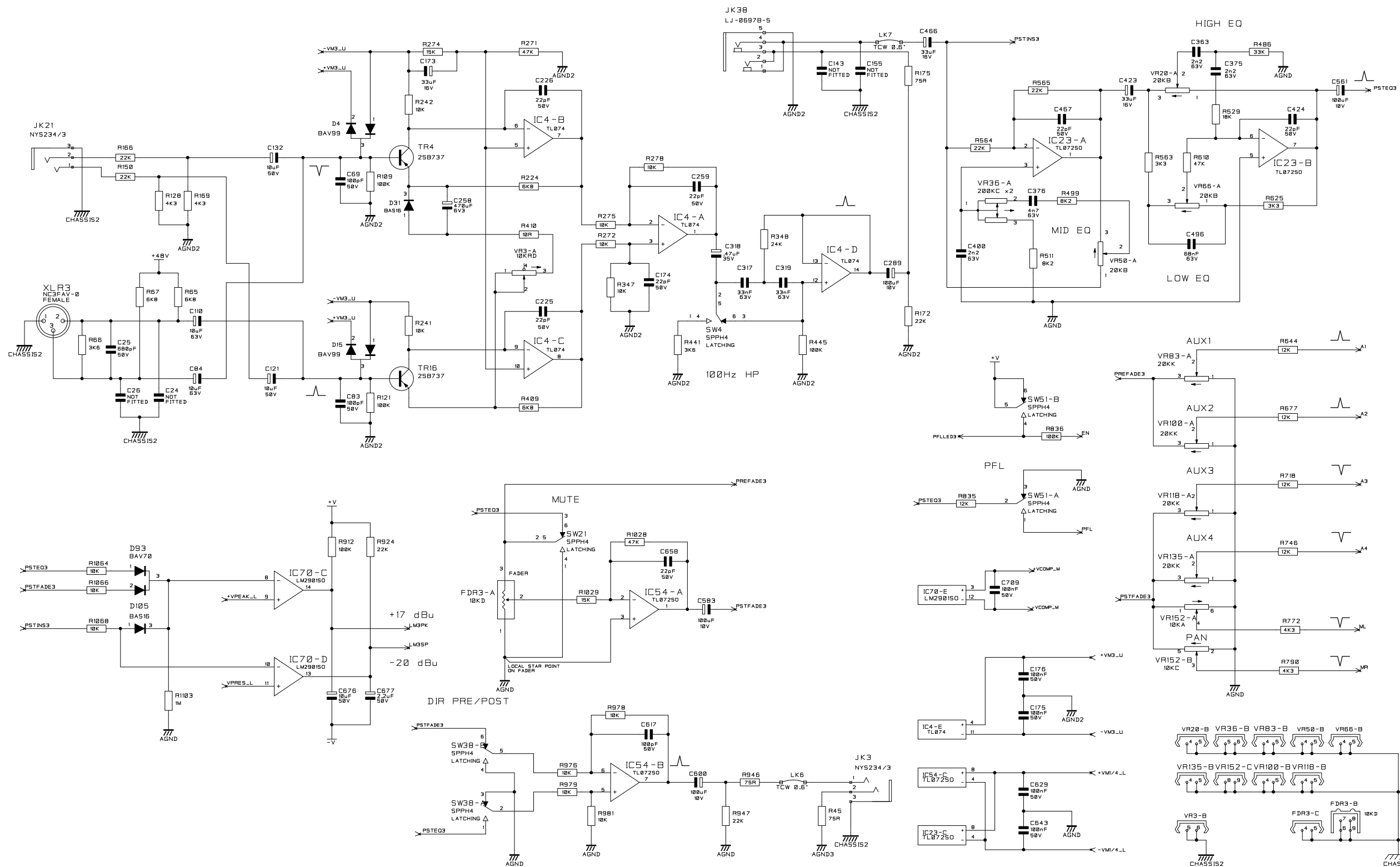


SOUNDCRAFT OWN THE COPYRIGHT OF THIS DRAWING WHICH IS NOT TO BE COPIED, REPRODUCED OR DISCLOSED, IN PART OR WHOLE TO A THIRD PARTY WITHOUT PRIOR WRITTEN PERMISSION.

SOUNDCRAFT
HARMAN INT. INDUSTRIES LTD.
CRANBORNE HOUSE,
CRANBORNE ROAD,
POTTERS BAR,
HERTS. EN9 3JN.
TEL: 01707 665000
FAX: 01707 660482

NOTES

DRN.	CN No.	INITIAL	DATE	ISSUE	TITLE
PMD	PRE-PROD	PMD	30-11-00	01A	SPIRIT M12 MONO INPUT CHANNEL 2
DATE	PRE-PROD	PMD	09-02-01	02A	
MASTER IF RED					DRG NO. ED4098-02A

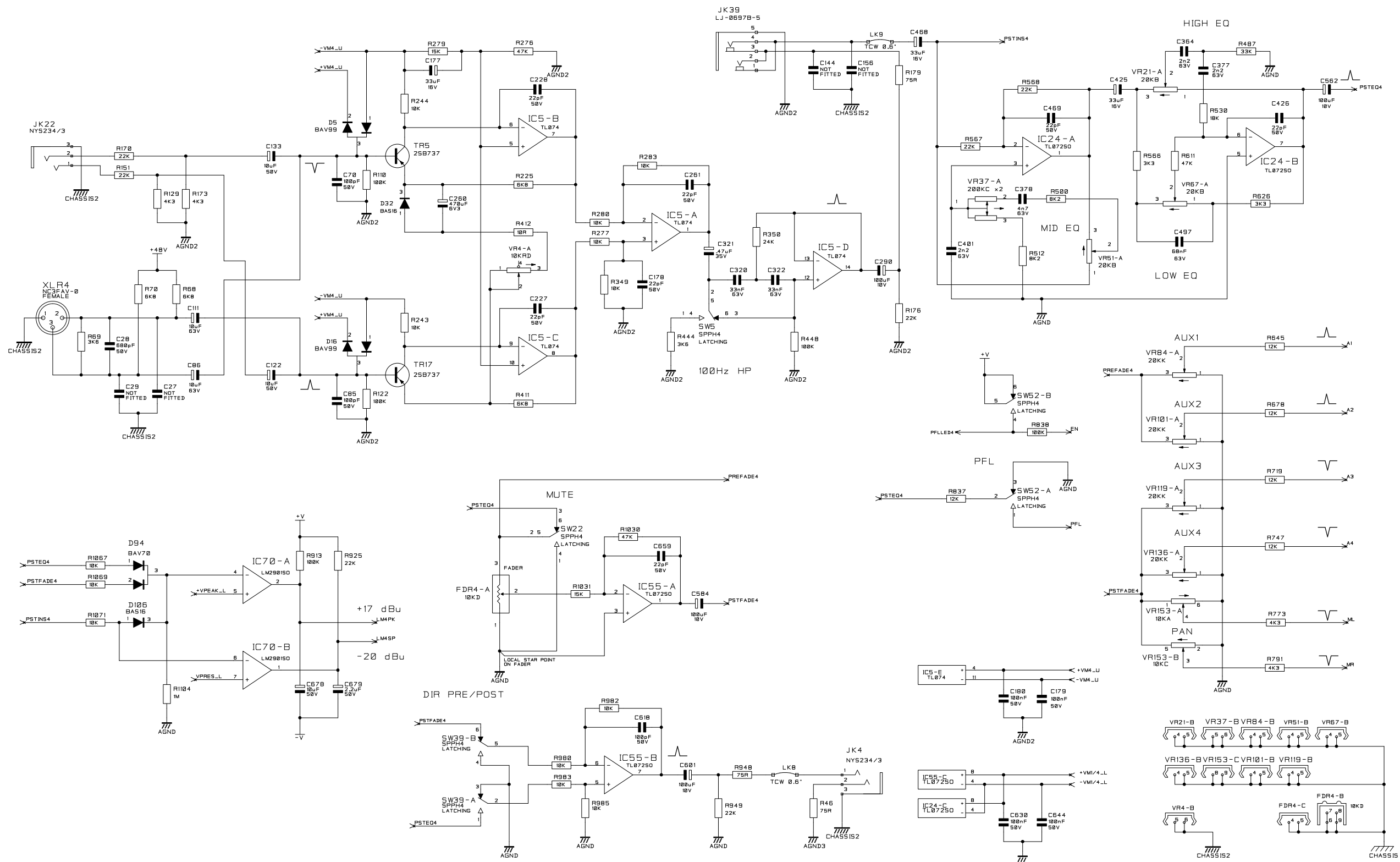


SOUNDCRAFT OWN THE COPYRIGHT OF THIS DRAWING WHICH IS NOT TO BE COPIED, REPRODUCED OR DISCLOSED, IN PART OR WHOLE TO A THIRD PARTY WITHOUT PRIOR WRITTEN PERMISSION.

SOUNDCRAFT
HARMAN INT. INDUSTRIES LTD.
CRANBORNE HOUSE,
CRANBORNE ROAD,
POTTERS BAR,
HERTS. EN9 3JN.
TEL: 01707 665000
FAX: 01707 660482

NOTES

DRN.	CN No.	INITIAL	DATE	ISSUE	TITLE
PMD	PRE-PROD	PMD	30-11-00	01A	SPIRIT M12 MONO INPUT CHANNEL 3
DATE	PRE-PROD	PMD	09-02-01	02A	
30-11-00					
MASTER IF RED					
					DRG NO. ED4098-02A
					SHT. 4 OF 23

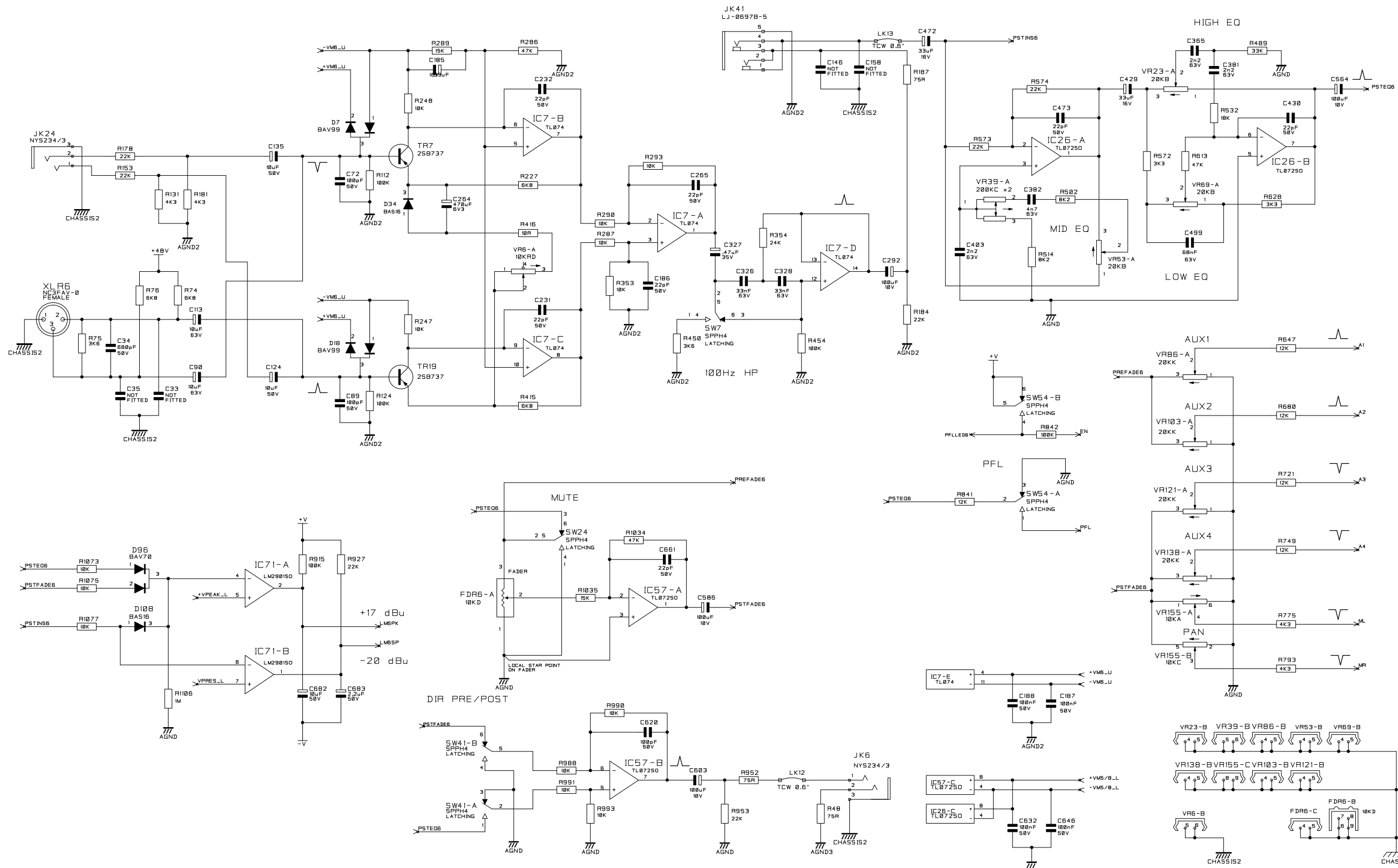


SOUNDCRAFT OWN THE COPYRIGHT OF THIS DRAWING WHICH IS NOT TO BE COPIED, REPRODUCED OR DISCLOSED, IN PART OR WHOLE TO A THIRD PARTY WITHOUT PRIOR WRITTEN PERMISSION.

SOUNDCRAFT
HARMAN INT. INDUSTRIES LTD.
CRANBORNE HOUSE,
CRANBORNE ROAD,
POTTERS BAR,
HERTS. EN9 3JN.
TEL: 01707 665000
FAX: 01707 660482

NOTES

DRN.	PMD	CN No.	INITIAL	DATE	ISSUE	TITLE
		PRE-PROD	PMD	30-11-00	01A	
DATE	30-11-00	PRE-PROD	PMD	09-02-01	02A	DRG NO. ED4098-02A
MASTER IF RED						

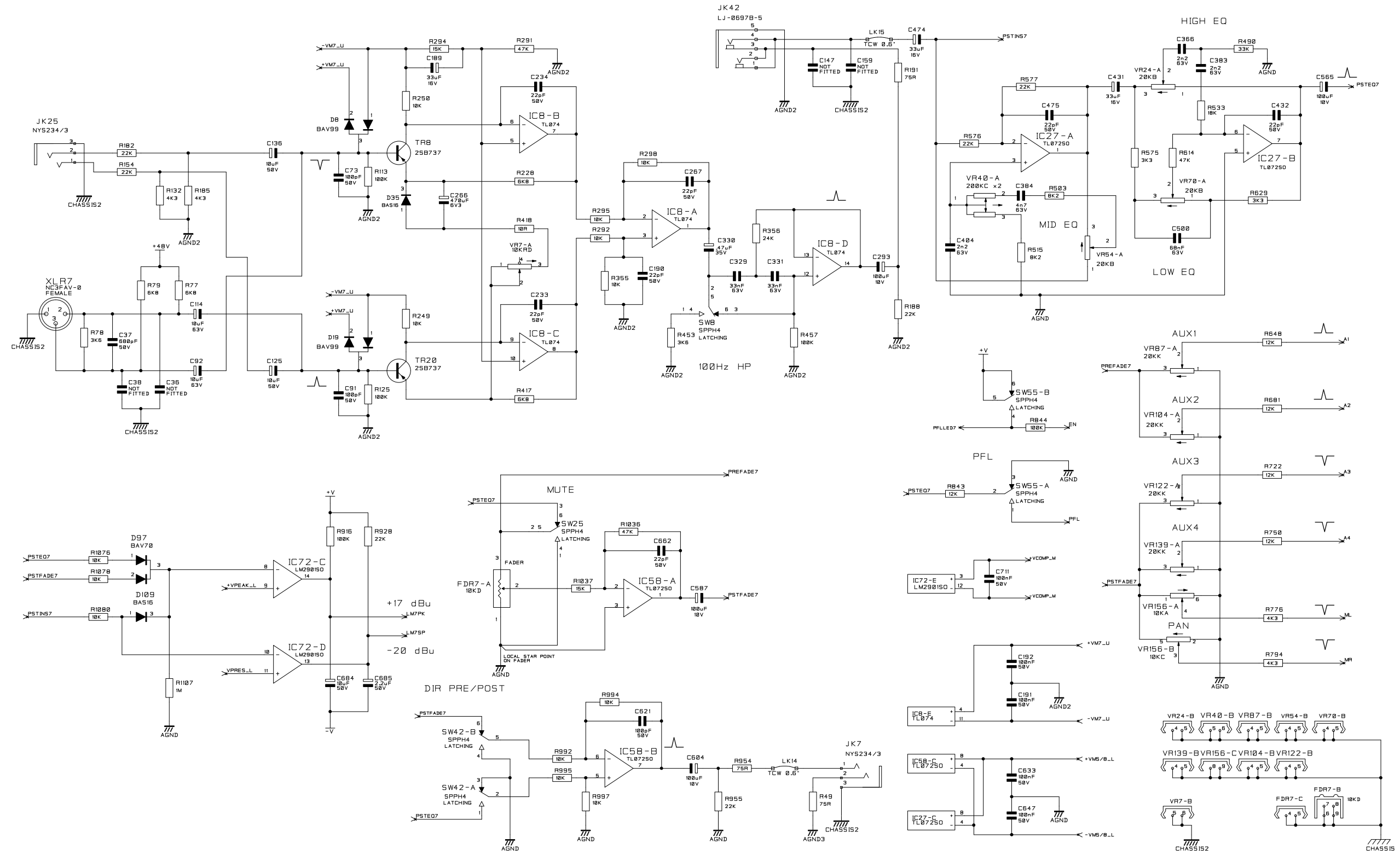


SOUNDCRAFT OWN THE COPYRIGHT OF THIS DRAWING WHICH IS NOT TO BE COPIED, REPRODUCED OR DISCLOSED, IN PART OR WHOLE TO A THIRD PARTY WITHOUT PRIOR WRITTEN PERMISSION.

SOUNDCRAFT
HARMAN INT. INDUSTRIES LTD.
CRANBORNE HOUSE,
CRANBORNE ROAD,
POTTERS BAR,
HERTS. EN9 3JN.
TEL: 01707 665000
FAX: 01707 660482

NOTES

DRN.	CN No.	INITIAL	DATE	ISSUE	TITLE
PMD	PRE-PROD	PMD	30-11-00	01A	SPIRIT M12 MONO INPUT CHANNEL 6
DATE	PRE-PROD	PMD	09-02-01	02A	
30-11-00					
MASTER IF RED					



SOUNDCRAFT OWN THE COPYRIGHT OF THIS DRAWING WHICH IS NOT TO BE COPIED, REPRODUCED OR DISCLOSED, IN PART OR WHOLE TO A THIRD PARTY WITHOUT PRIOR WRITTEN PERMISSION.

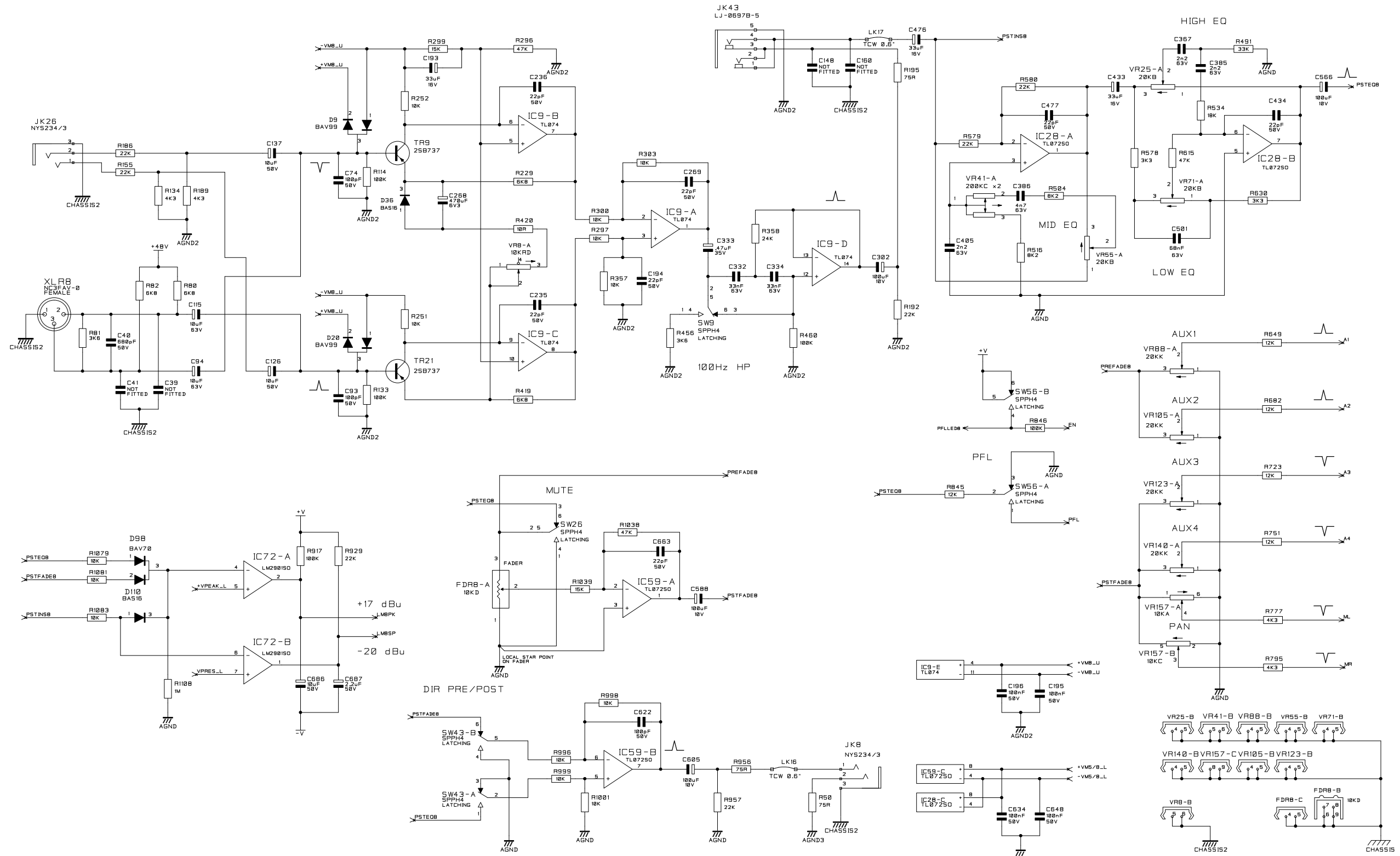
SOUNDCRAFT
HARMAN INT. INDUSTRIES LTD.
CRANBORNE HOUSE,
CRANBORNE ROAD,
POTTERS BAR,
HERTS. EN9 3JN.
TEL: 01707 665000
FAX: 01707 660482

NOTES

DRN.	CN No.	INITIAL	DATE	ISSUE	TITLE
PMD	PRE-PROD	PMD	30-11-00	01A	SPIRIT M12 MONO INPUT CHANNEL 7
DATE	PRE-PROD	PMD	09-02-01	02A	
MASTER IF RED					
DRG NO. ED4098-02A					SHT. 8 OF 23

DRG NO.

ED4098

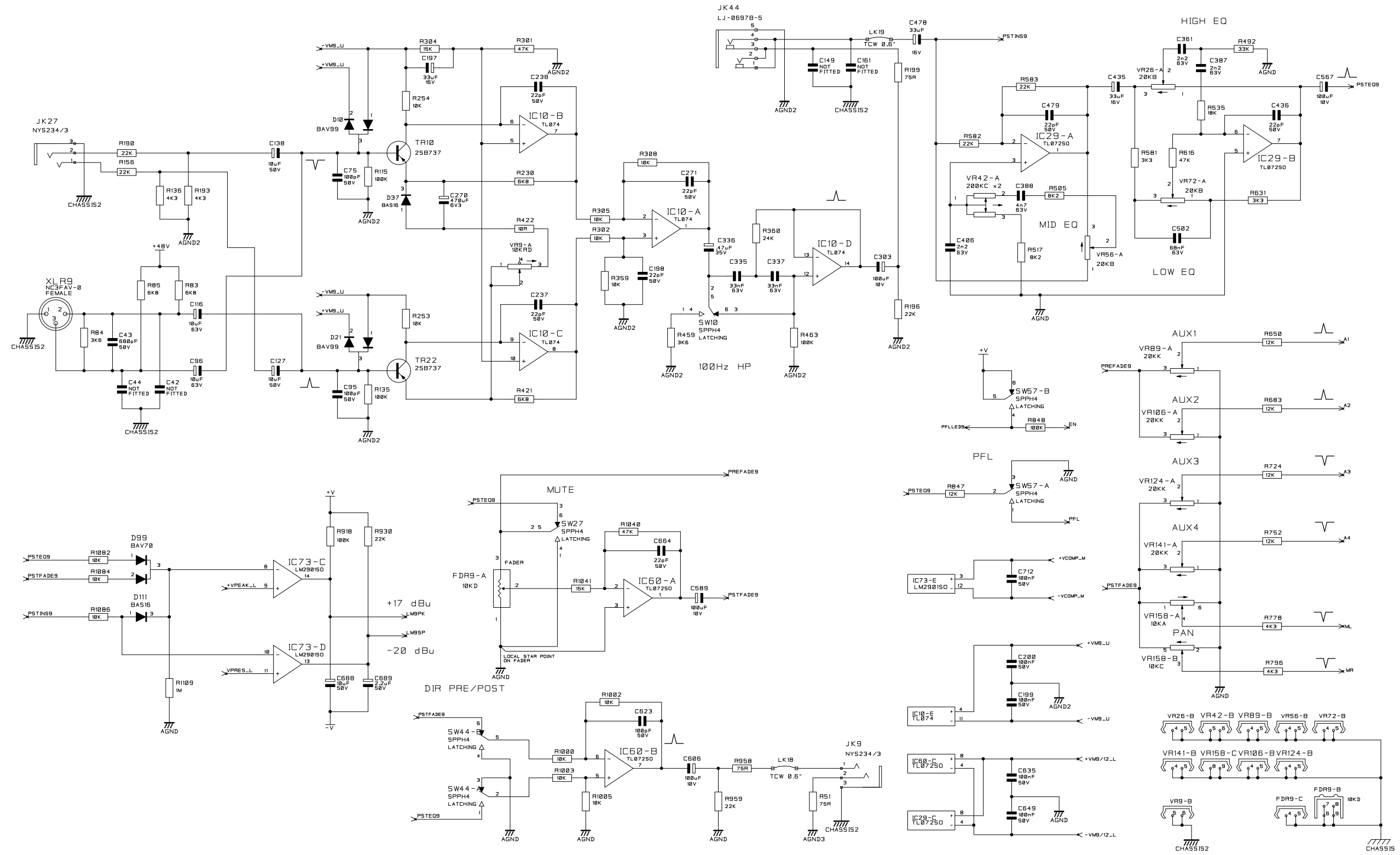


SOUNDCRAFT OWN THE COPYRIGHT OF THIS DRAWING WHICH IS NOT TO BE COPIED, REPRODUCED OR DISCLOSED, IN PART OR WHOLE TO A THIRD PARTY WITHOUT PRIOR WRITTEN PERMISSION.

SOUNDCRAFT
HARMAN INT. INDUSTRIES LTD.
CRANBORNE HOUSE,
CRANBORNE ROAD,
POTTERS BAR,
HERTS. EN9 3JN.
TEL: 01707 665000
FAX: 01707 660482

NOTES

DRN.	PMD	CN No.	INITIAL	DATE	ISSUE	TITLE SPIRIT M12 MONO INPUT CHANNEL 8
DATE	30-11-00	PRE-PROD	PMD	30-11-00	01A	
		PRE-PROD	PMD	09-02-01	02A	
MASTER IF RED						
DRG NO. ED4098-02A						SHT. 9 OF 23

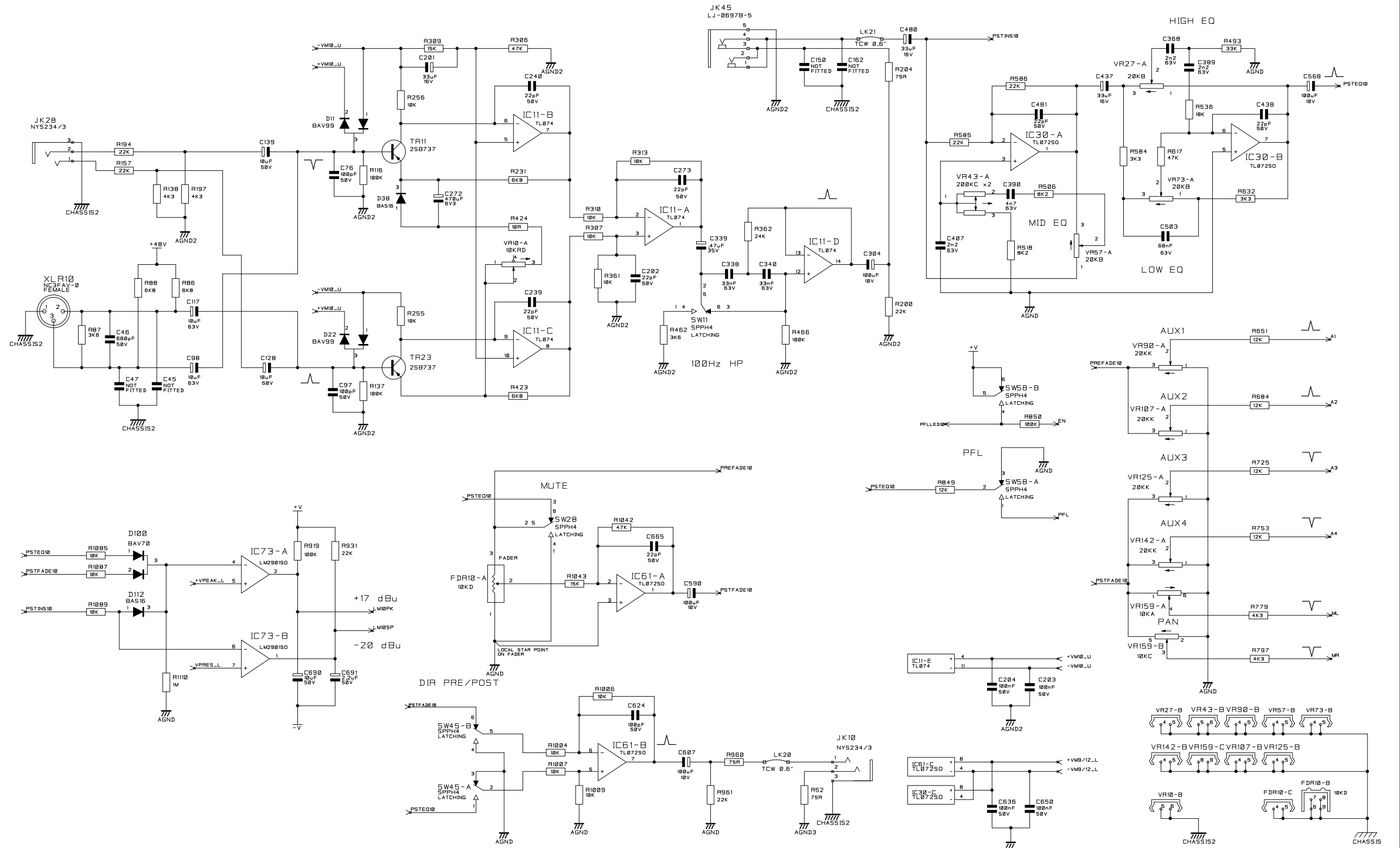


SOUNDCRAFT OWN THE COPYRIGHT OF THIS DRAWING WHICH IS NOT TO BE COPIED, REPRODUCED OR DISCLOSED, IN PART OR WHOLE TO A THIRD PARTY WITHOUT PRIOR WRITTEN PERMISSION.

SOUNDCRAFT
HARMAN INT. INDUSTRIES LTD.
CRANBORNE HOUSE,
CRANBORNE ROAD,
POTTERS BAR,
HERTS. EN9 3JN.
TEL: 01707 665000
FAX: 01707 660482

NOTES

DRN.	PMD	CN No.	INITIAL	DATE	ISSUE	TITLE	
DATE	30-11-00	PRE-PROD	PMD	30-11-00	01A	SPIRIT M12 MONO INPUT CHANNEL 9	
MASTER IF RED		PRE-PROD	PMD	09-02-01	02A		
						DRG NO.	ED4098-02A
						SHT. 10	OF 23

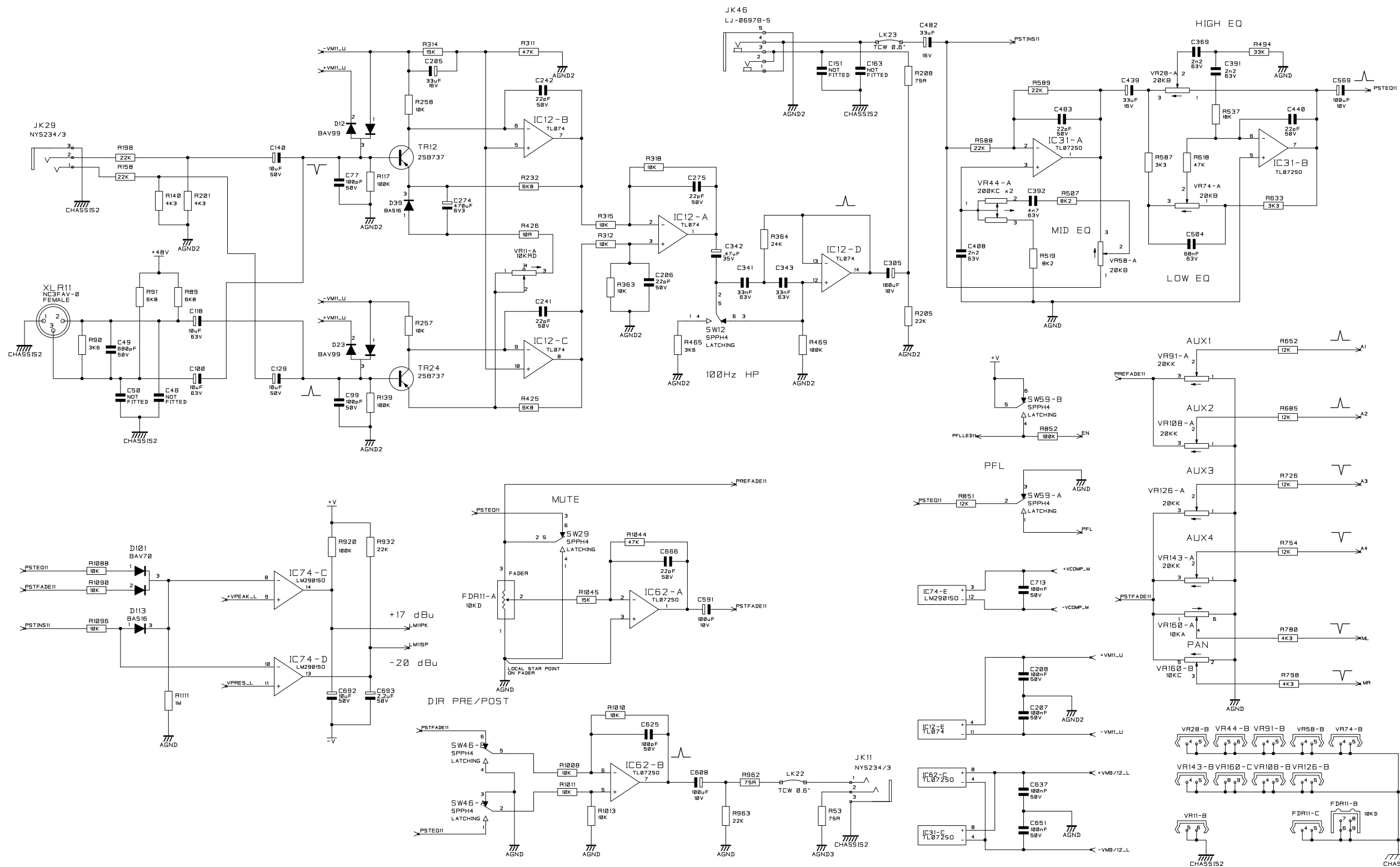


SOUNDCRAFT OWN THE COPYRIGHT OF THIS DRAWING WHICH IS NOT TO BE COPIED, REPRODUCED OR DISCLOSED, IN PART OR WHOLE TO A THIRD PARTY WITHOUT PRIOR WRITTEN PERMISSION.

SOUNDCRAFT
HARMAN INT. INDUSTRIES LTD.
CRANBORNE HOUSE,
CRANBORNE ROAD,
POTTERS BAR,
HERTS. EN9 3JN.
TEL: 01707 665000
FAX: 01707 660482

NOTES

DRN.	PMD	CN No.	INITIAL	DATE	ISSUE	TITLE SPIRIT M12 MONO INPUT CHANNEL 10
DATE	30-11-00	PRE-PROD	PMD	30-11-00	01A	
MASTER IF RED		PRE-PROD	PMD	09-02-01	02A	
DRG NO. ED4098-02A						SHT. 11 OF 23

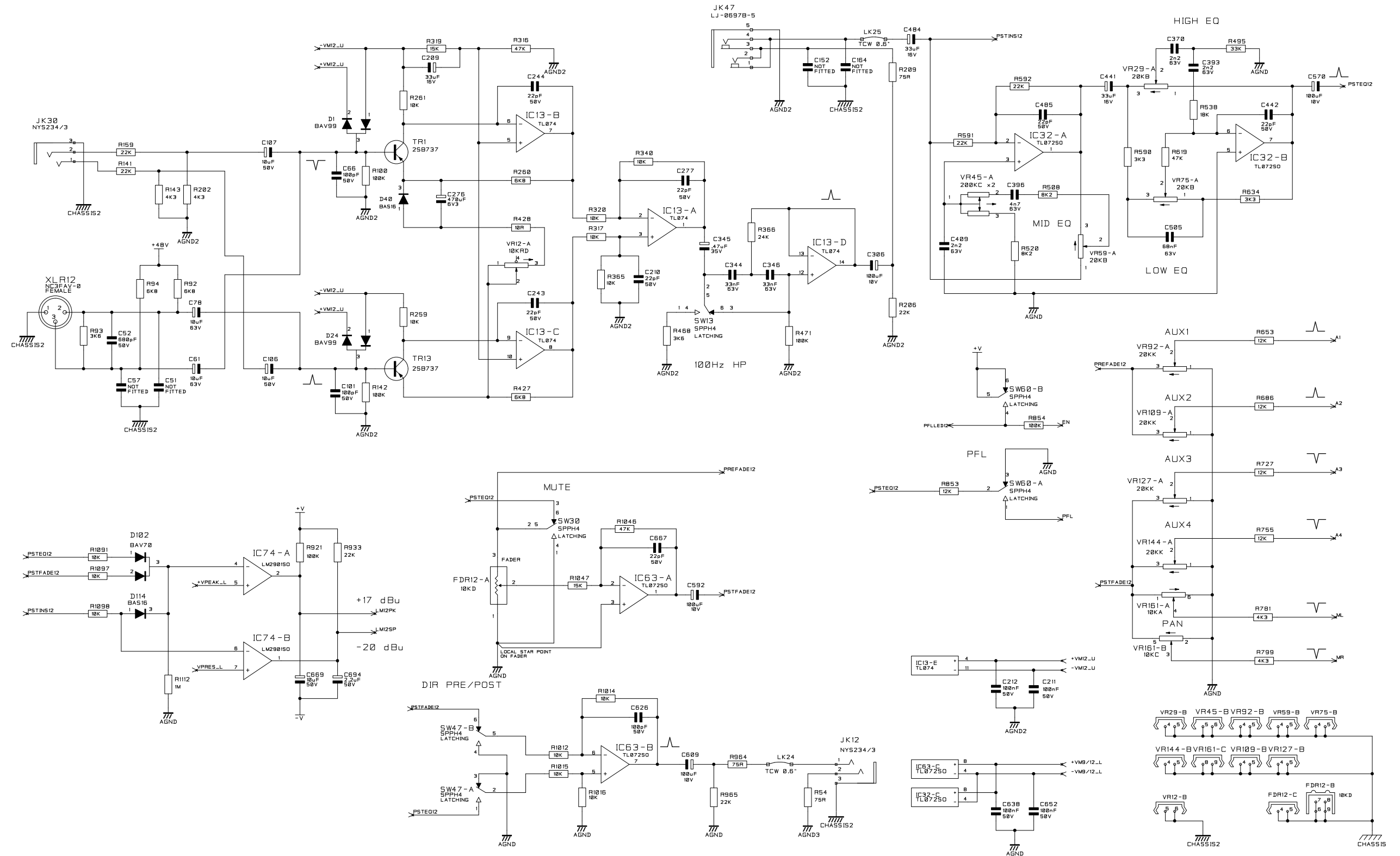


SOUNDCRAFT OWN THE COPYRIGHT OF THIS DRAWING WHICH IS NOT TO BE COPIED, REPRODUCED OR DISCLOSED, IN PART OR WHOLE TO A THIRD PARTY WITHOUT PRIOR WRITTEN PERMISSION.

SOUNDCRAFT
HARMAN INT. INDUSTRIES LTD.
CRANBORNE HOUSE,
CRANBORNE ROAD,
POTTERS BAR,
HERTS. EN9 3JN.
TEL: 01707 665000
FAX: 01707 660482

NOTES

DRN.	PMD	CN No.	INITIAL	DATE	ISSUE	TITLE	
DATE	30-11-00	PRE-PROD	PMD	30-11-00	01A	SPIRIT M12 MONO INPUT CHANNEL II	
MASTER IF RED		PRE-PROD	PMD	09-02-01	02A		
						DRG NO.	ED4098-02A
							SHT.12 OF 23

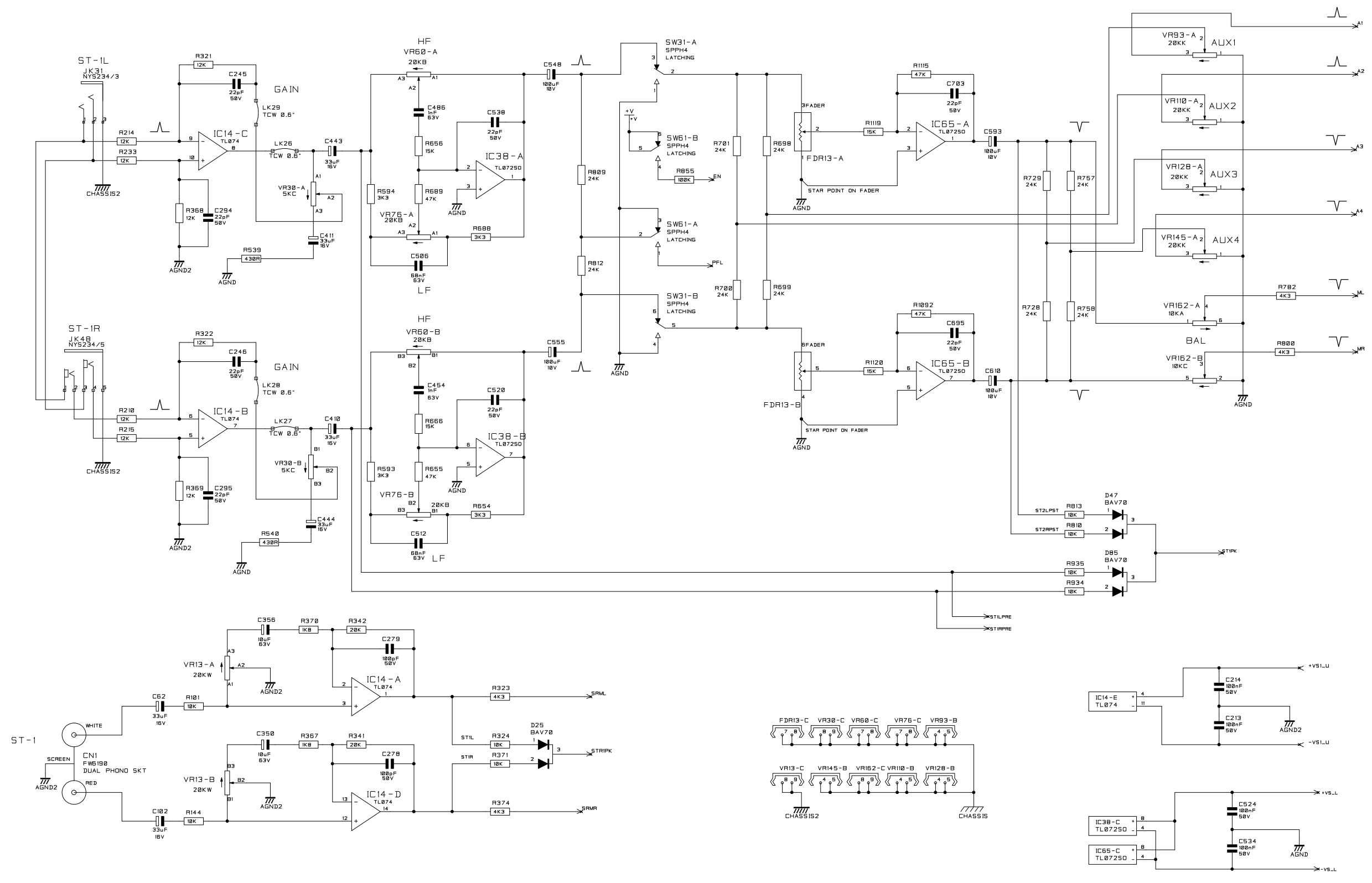


SOUNDCRAFT OWN THE COPYRIGHT OF THIS DRAWING WHICH IS NOT TO BE COPIED, REPRODUCED OR DISCLOSED, IN PART OR WHOLE TO A THIRD PARTY WITHOUT PRIOR WRITTEN PERMISSION.

SOUNDCRAFT
HARMAN INT. INDUSTRIES LTD.
CRANBORNE HOUSE,
CRANBORNE ROAD,
POTTERS BAR,
HERTS. EN9 3JN.
TEL: 01707 665000
FAX: 01707 660482

NOTES

DRN.	CN No.	INITIAL	DATE	ISSUE	TITLE
PMD	PRE-PROD	PMD	30-11-00	01A	SPIRIT M12 MONO INPUT CHANNEL 12
DATE	PRE-PROD	PMD	09-02-01	02A	
30-11-00					
MASTER IF RED					

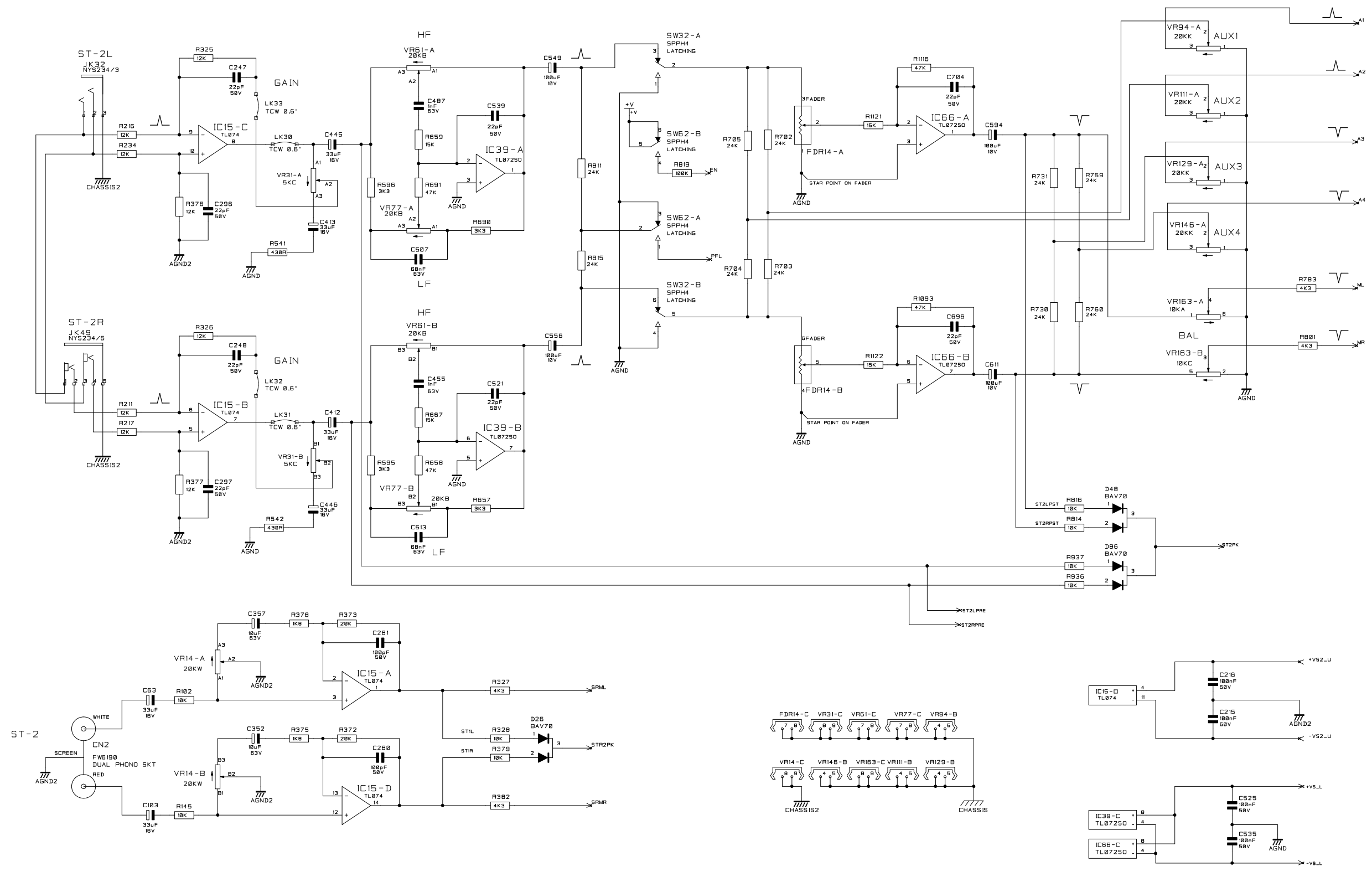


SOUNDCRAFT OWN THE COPYRIGHT OF THIS DRAWING WHICH IS NOT TO BE COPIED, REPRODUCED OR DISCLOSED, IN PART OR WHOLE TO A THIRD PARTY WITHOUT PRIOR WRITTEN PERMISSION.

SOUNDCRAFT
HARMAN INT. INDUSTRIES LTD.
CRANBORNE HOUSE,
CRANBORNE ROAD,
POTTERS BAR,
HERTS. EN9 3JN.
TEL: 01707 665000
FAX: 01707 660402

NOTES

DRN.	PMD	CN No.	INITIAL	DATE	ISSUE	TITLE
DATE	30-11-00	PRE-PROD	PMD	30-11-00	01A	SPIRIT M12 STEREO INPUT 1
		PRE-PROD	PMD	09-02-01	02A	
MASTER IF RED						DRG NO. ED4098-02A
						SHT.14 OF 23

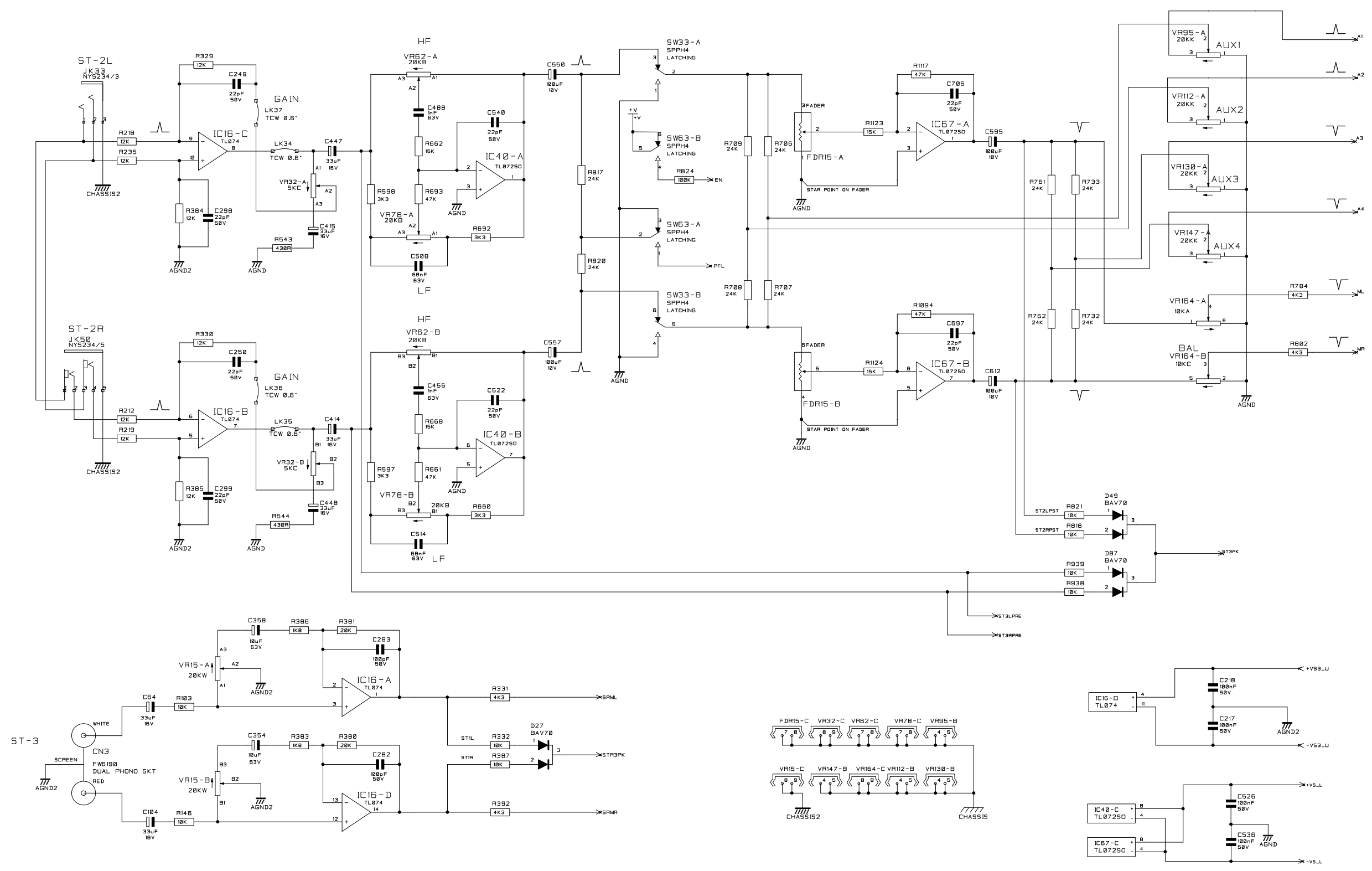


SOUNDCRAFT OWN THE COPYRIGHT OF THIS DRAWING WHICH IS NOT TO BE COPIED, REPRODUCED OR DISCLOSED, IN PART OR WHOLE TO A THIRD PARTY WITHOUT PRIOR WRITTEN PERMISSION.

SOUNDCRAFT
HARMAN INT. INDUSTRIES LTD.
CRANBORNE HOUSE,
CRANBORNE ROAD,
POTTERS BAR,
HERTS. EN9 3JN.
TEL: 01707 665000
FAX: 01707 660402

NOTES

DRN.	PMD	CN No.	INITIAL	DATE	ISSUE	TITLE
DATE	30-11-00	PRE-PROD	PMD	30-11-00	01A	SPIRIT M12 STEREO INPUT 2
		PRE-PROD	PMD	09-02-01	02A	
MASTER IF RED						DRG NO. ED4098-02A
						SHT.15 OF 23

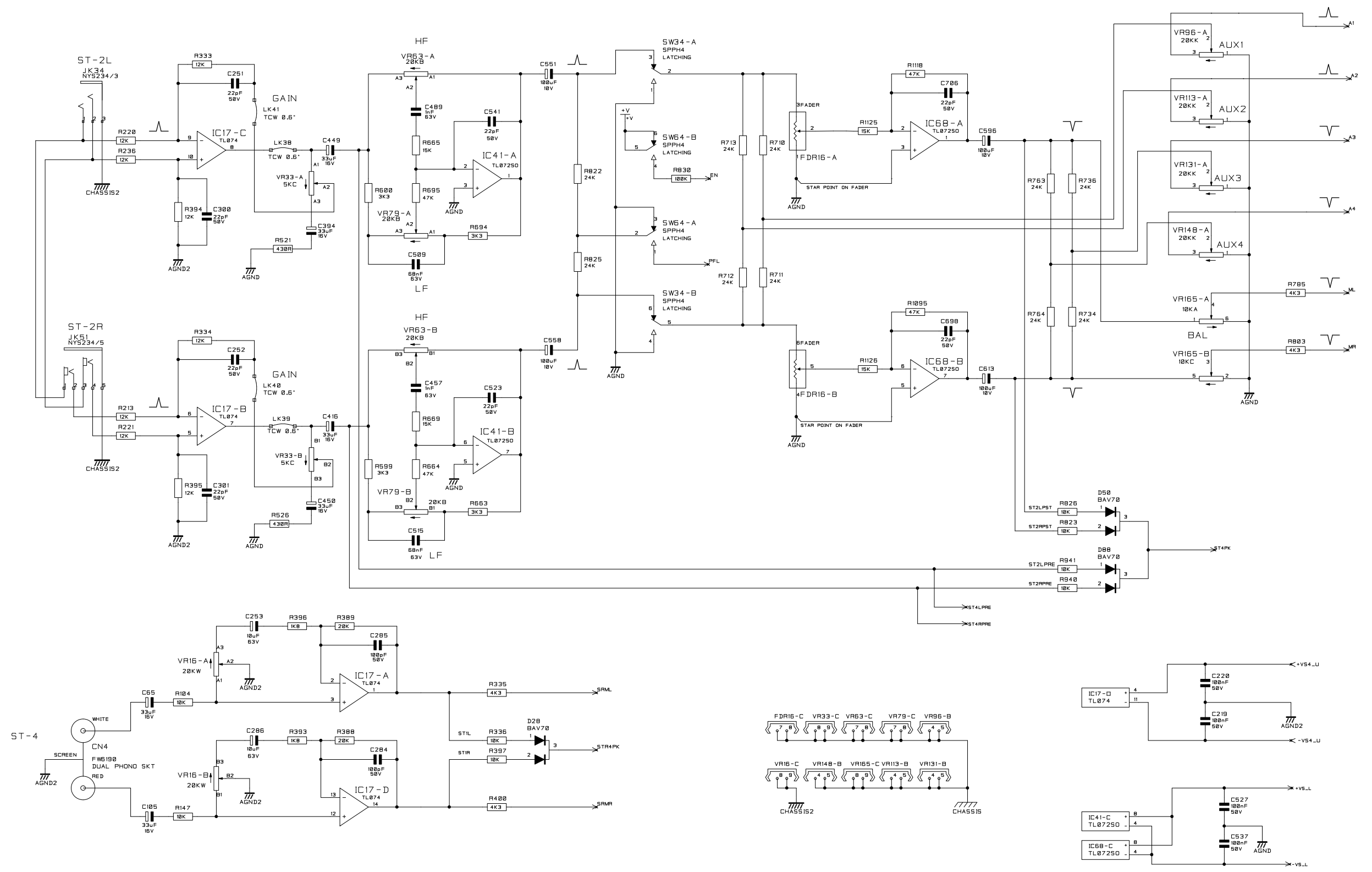


SOUNDCRAFT OWN THE COPYRIGHT OF THIS DRAWING WHICH IS NOT TO BE COPIED, REPRODUCED OR DISCLOSED, IN PART OR WHOLE TO A THIRD PARTY WITHOUT PRIOR WRITTEN PERMISSION.

SOUNDCRAFT
HARMAN INT. INDUSTRIES LTD.
CRANBORNE HOUSE,
CRANBORNE ROAD,
POTTERS BAR,
HERTS. EN9 3JN.
TEL: 01707 665000
FAX: 01707 660402

NOTES

DRN.	PMD	CN No.	INITIAL	DATE	ISSUE	TITLE
DATE	30-11-00	PRE-PROD	PMD	30-11-00	01A	SPIRIT M12 STEREO INPUT 3
		PRE-PROD	PMD	09-02-01	02A	
MASTER IF RED						DRG NO. ED4098-02A
						SHT.16 OF 23



SOUNDCRAFT OWN THE COPYRIGHT OF THIS DRAWING WHICH IS NOT TO BE COPIED, REPRODUCED OR DISCLOSED, IN PART OR WHOLE TO A THIRD PARTY WITHOUT PRIOR WRITTEN PERMISSION.

SOUNDCRAFT
HARMAN INT. INDUSTRIES LTD.
CRANBORNE HOUSE,
CRANBORNE ROAD,
POTTERS BAR,
HERTS. EN6 3JN.
TEL: 01707 665000
FAX: 01707 660482

NOTES

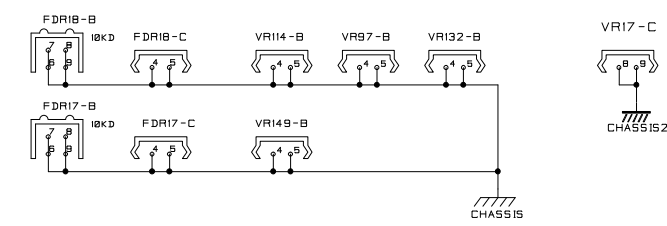
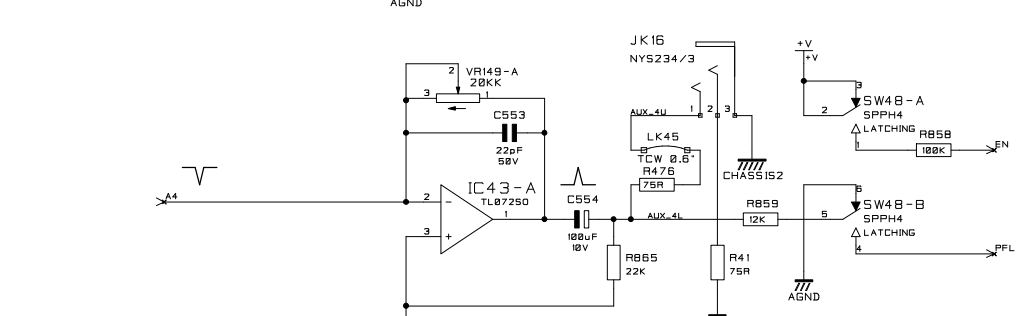
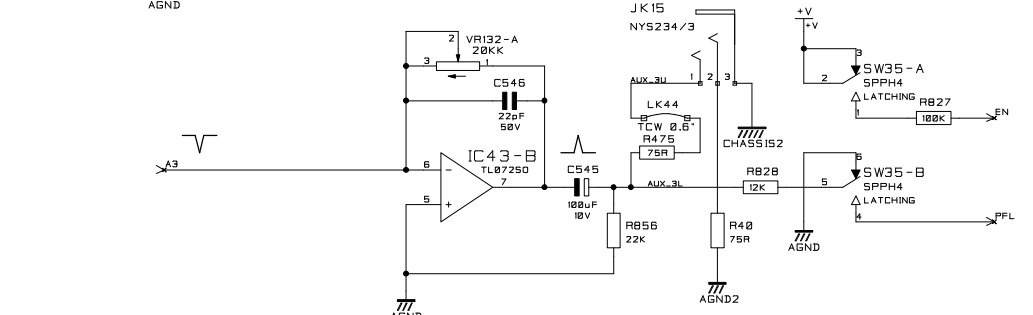
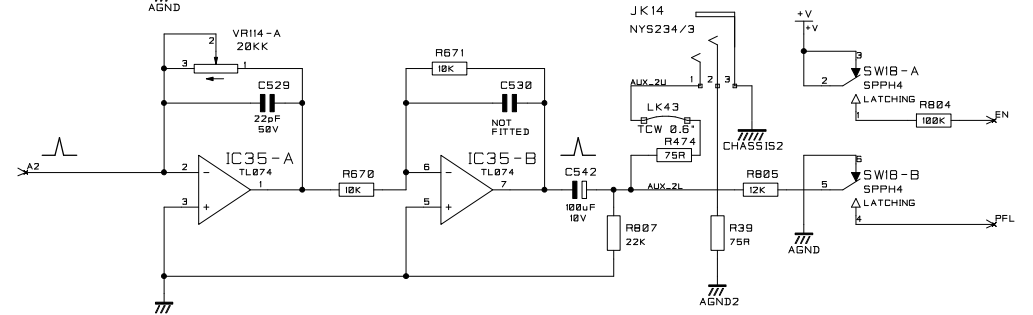
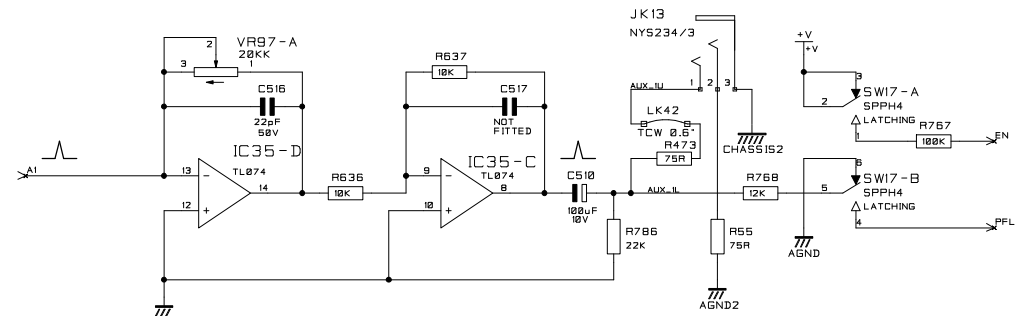
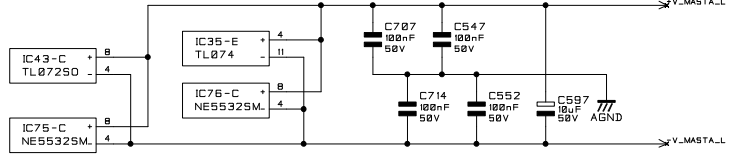
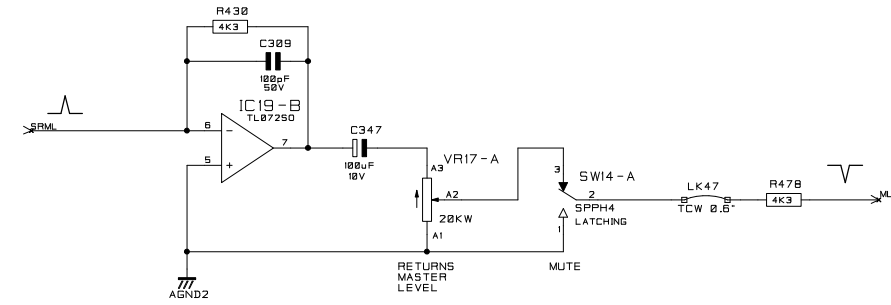
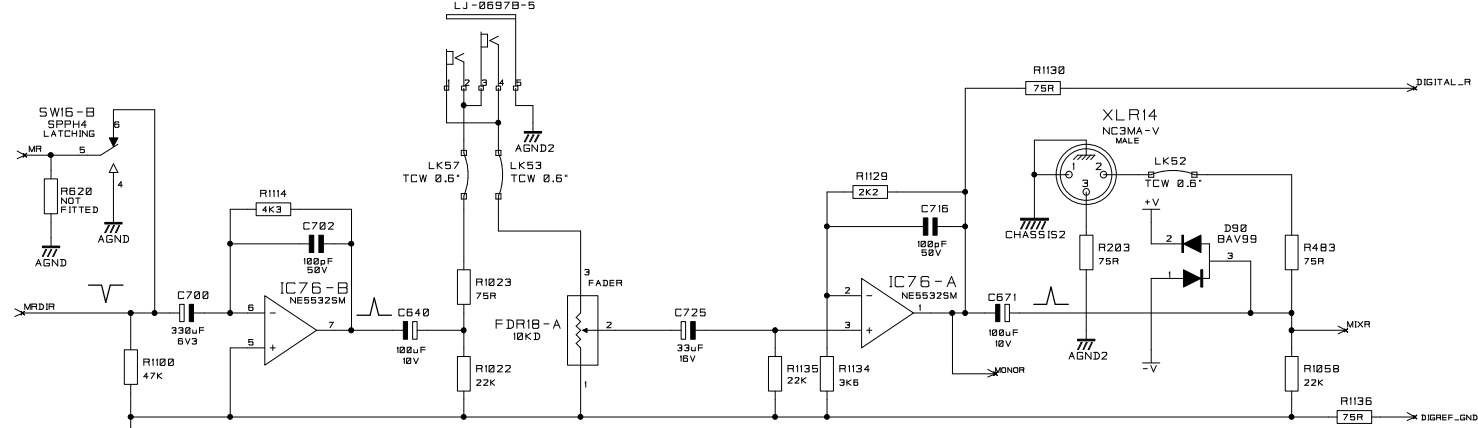
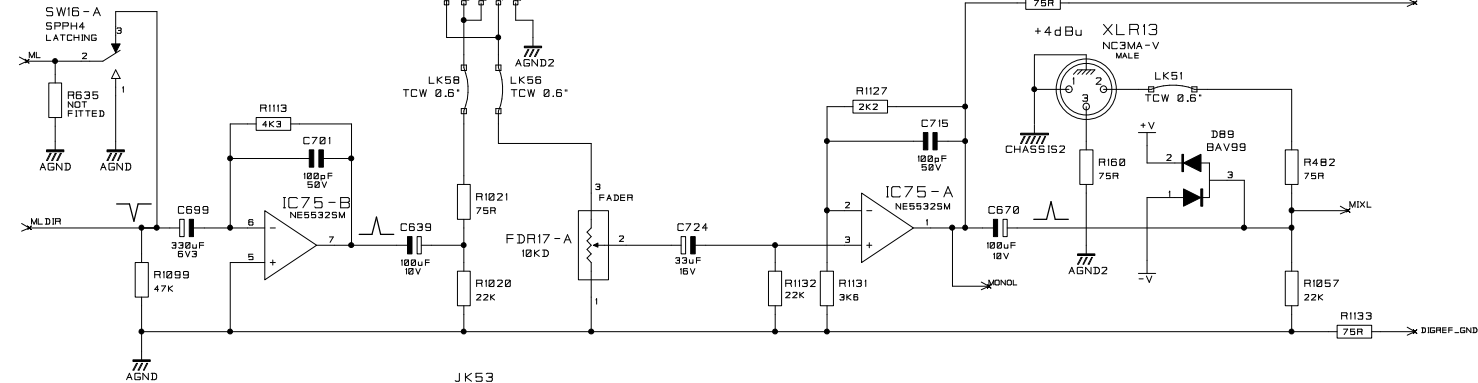
DRN.	PMD	CN No.	INITIAL	DATE	ISSUE	TITLE
		PRE-PROD	PMD	30-11-00	01A	SPIRIT M12 STEREO INPUT 4
		PRE-PROD	PMD	09-02-01	02A	
	30-11-00					
	MASTER IF RED					

DRG NO.	ED4098-02A	SHT.17 OF 23
---------	------------	-----------------

DRG NO.

ED4098

P/B REPLACES MIX



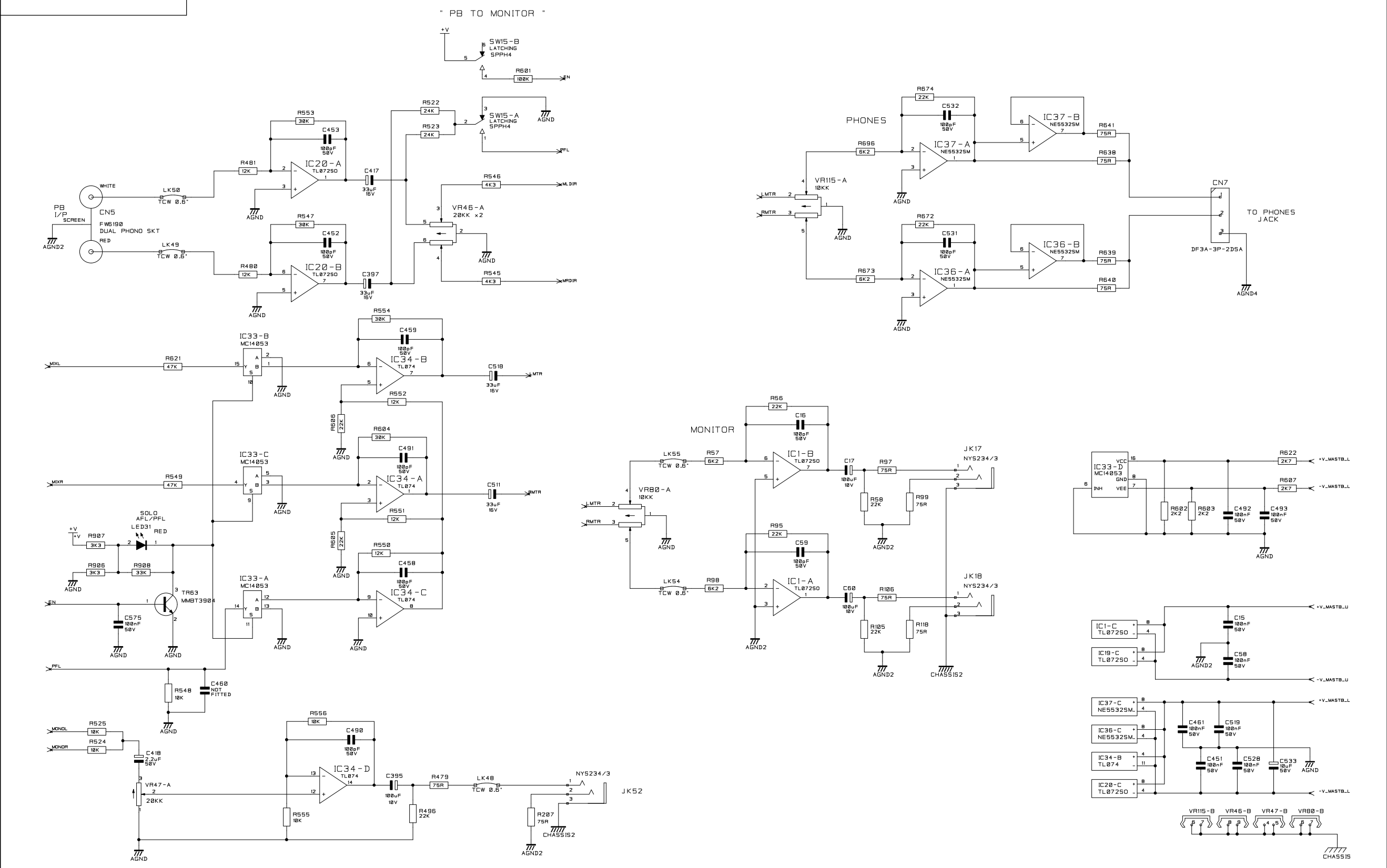
SOUNDCRAFT OWN THE COPYRIGHT OF THIS DRAWING WHICH IS NOT TO BE COPIED, REPRODUCED OR DISCLOSED, IN PART OR WHOLE TO A THIRD PARTY WITHOUT PRIOR WRITTEN PERMISSION.

SOUNDCRAFT
HARMAN INT. INDUSTRIES LTD.
CRANBORNE HOUSE,
CRANBORNE ROAD,
POTTERS BAR,
HERTS. EN9 3JN.
TEL: 01707 665000
FAX: 01707 660482

NOTES

DRN.	PMD	CN No.	INITIAL	DATE	ISSUE	TITLE
DATE	30-11-00	PRE-PROD	PMD	30-11-00	01A	SPIRIT M12 MASTER A
		PRE-PROD	PMD	09-02-01	02A	
MASTER IF RED						DRG NO. ED4098-02A
						SHT.18 OF 23

DRG NO. ED4098



SOUNDCRAFT OWN THE COPYRIGHT OF THIS DRAWING WHICH IS NOT TO BE COPIED, REPRODUCED OR DISCLOSED, IN PART OR WHOLE TO A THIRD PARTY WITHOUT PRIOR WRITTEN PERMISSION.

SOUNDCRAFT - 2TRK
 HARMAN INT. INDUSTRIES LTD.
 CRANBORNE HOUSE,
 CRANBORNE ROAD,
 POTTERS BAR,
 HERTS. EN9 3JN.
 TEL: 01707 665000
 FAX: 01707 660482

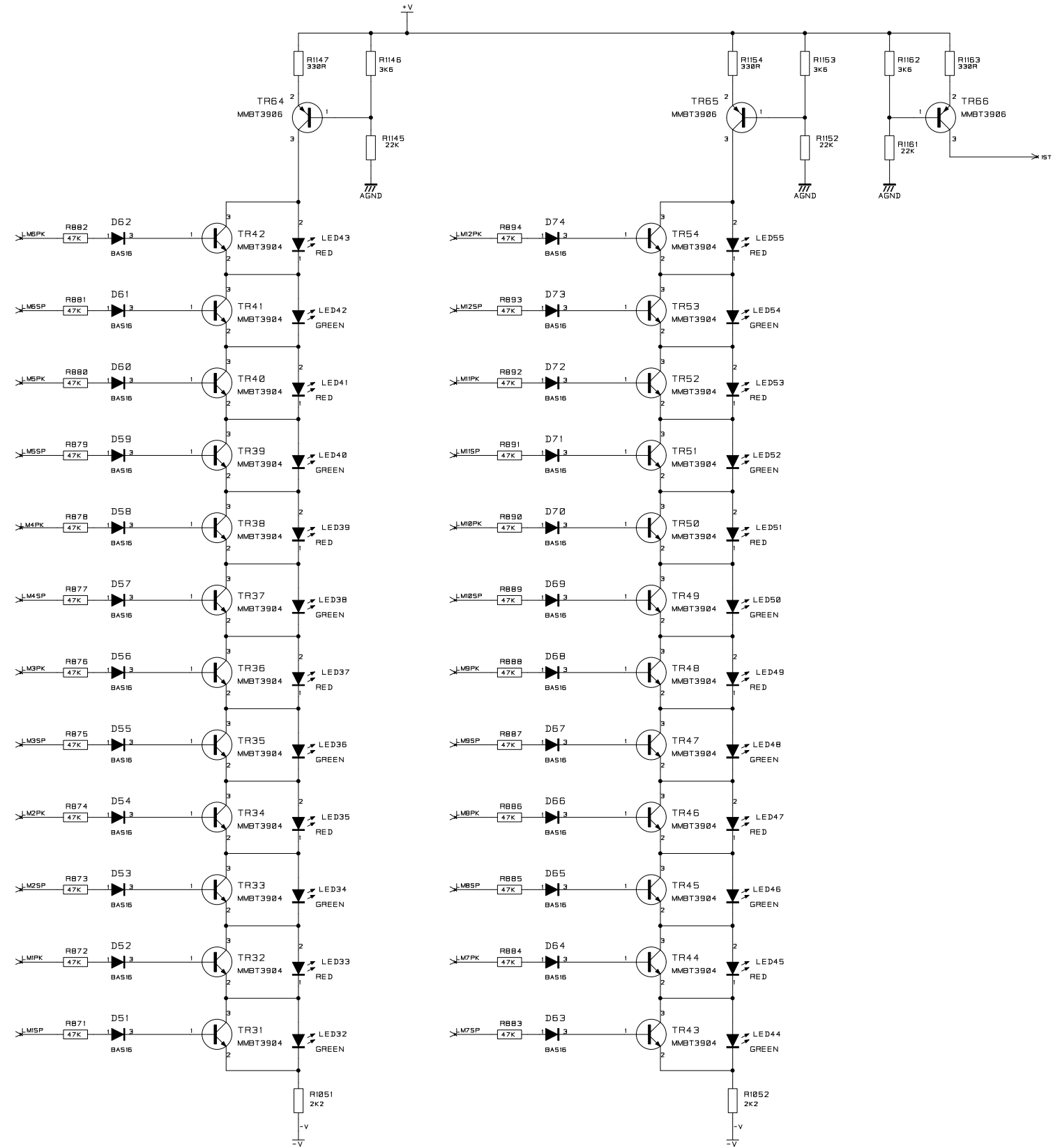
NOTES TO MIX -

DRN.	PMD	CN No.	INITIAL	DATE	ISSUE	TITLE	
		PRE-PROD	PMD	30-11-00	01A	SPIRIT M12 MASTER B	
DATE	30-11-00	PRE-PROD	PMD	09-02-01	02A		
MASTER IF RED						DRG NO.	ED4098-02A

SHT.19	OF 23
--------	-------

DRG NO.

ED4098



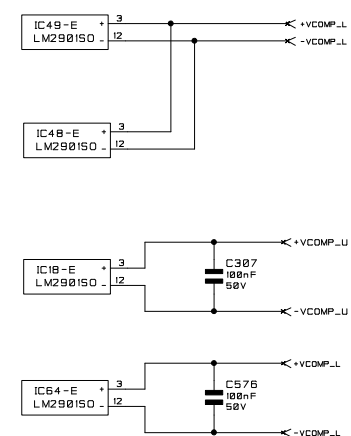
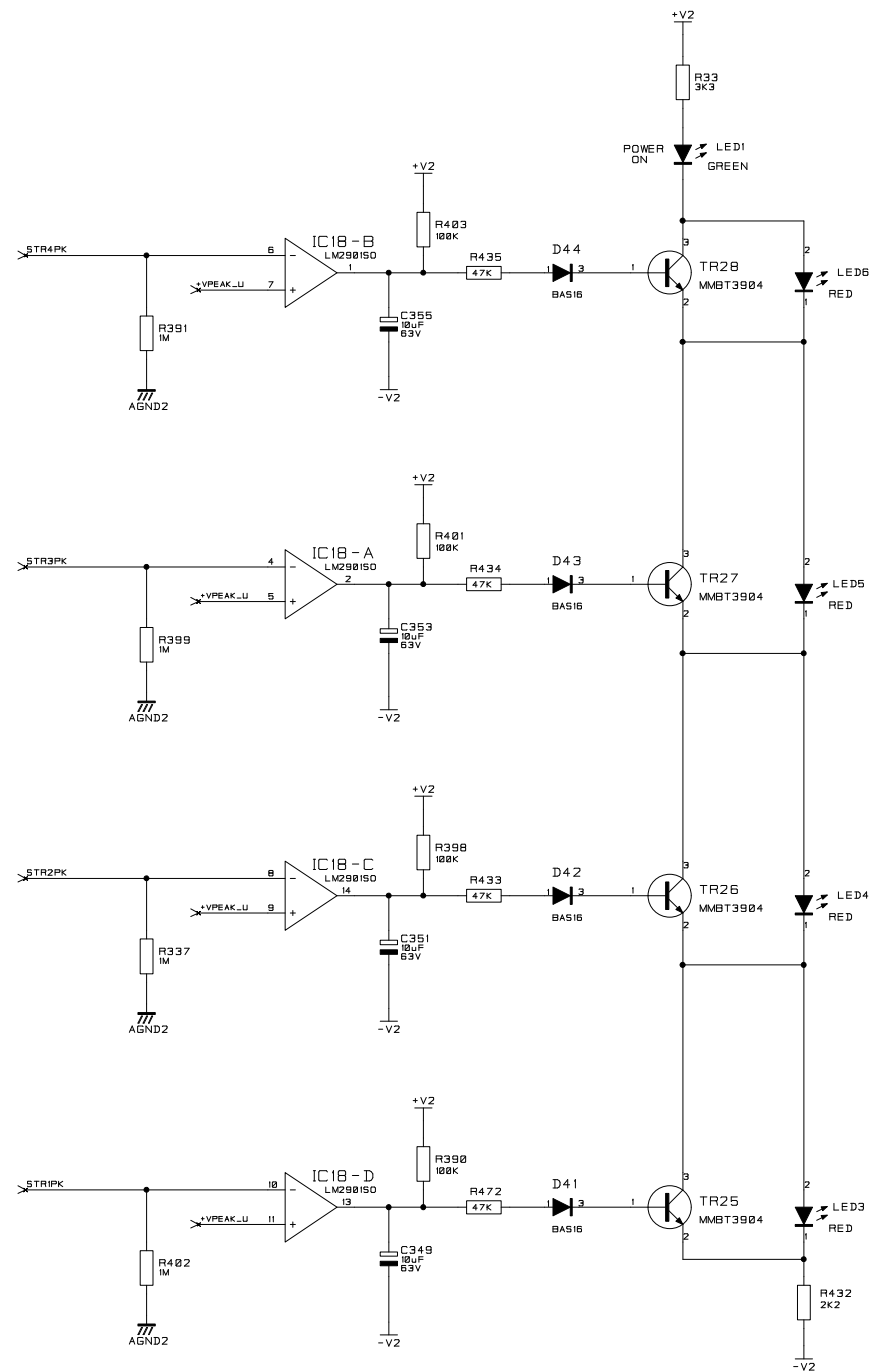
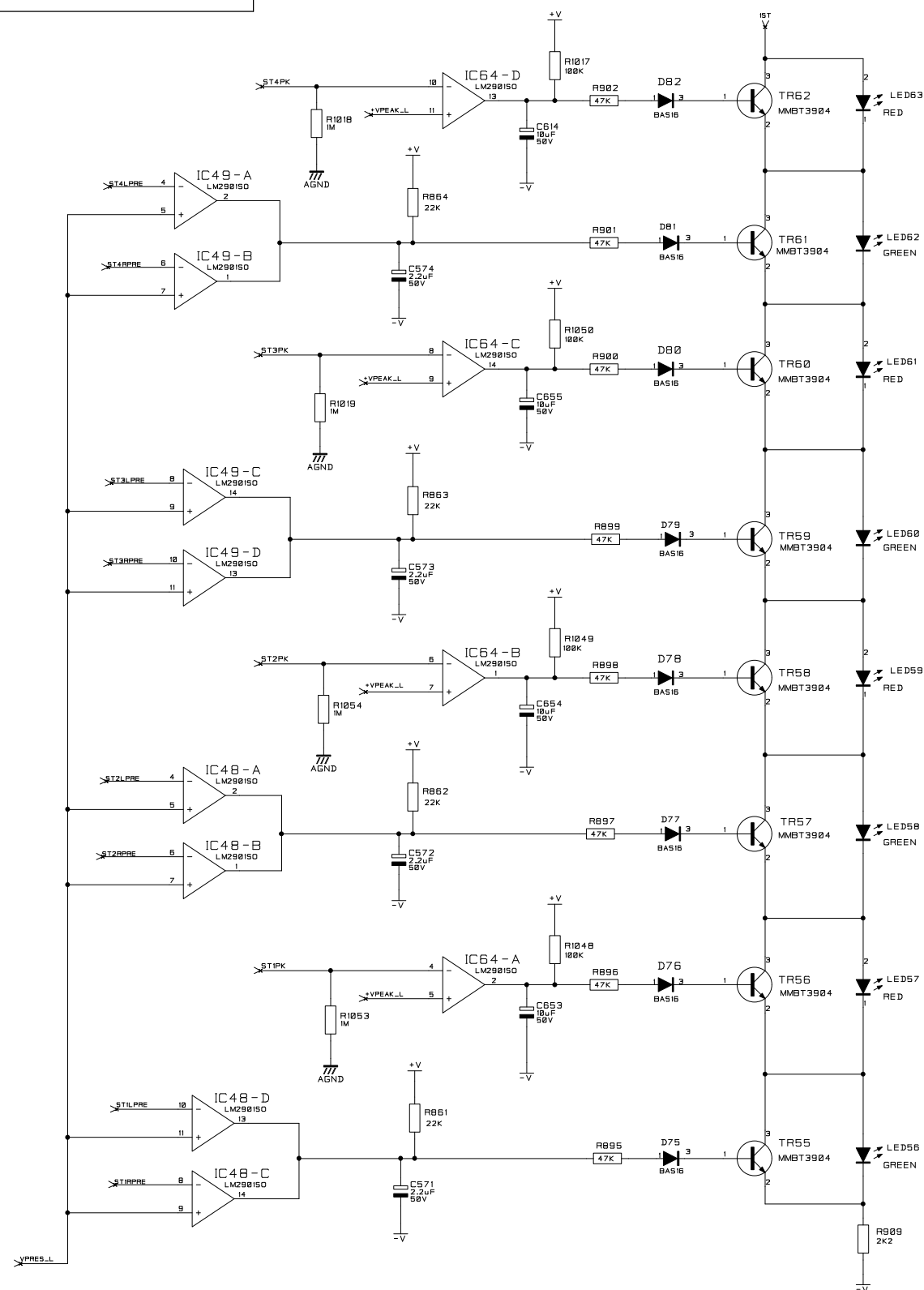
SOUNDCRAFT OWN THE COPYRIGHT OF THIS DRAWING WHICH IS NOT TO BE COPIED, REPRODUCED OR DISCLOSED, IN PART OR WHOLE TO A THIRD PARTY WITHOUT PRIOR WRITTEN PERMISSION.

SOUNDCRAFT
HARMAN INT. INDUSTRIES LTD.
CRANBORNE HOUSE,
CRANBORNE ROAD,
POTTERS BAR,
HERTS. EN6 3JN.
TEL: 01707 665000
FAX: 01707 660482

NOTES

DRN.	CN No.	INITIAL	DATE	ISSUE	TITLE
PMD	PRE-PROD	PMD	30-11-00	01A	SPIRIT M12 MONO PEAK LEDs
DATE	PRE-PROD	PMD	09-02-01	02A	
30-11-00					
MASTER IF RED					

DRG NO.	ED4098-02A	SHT.20 OF 23
---------	------------	-----------------



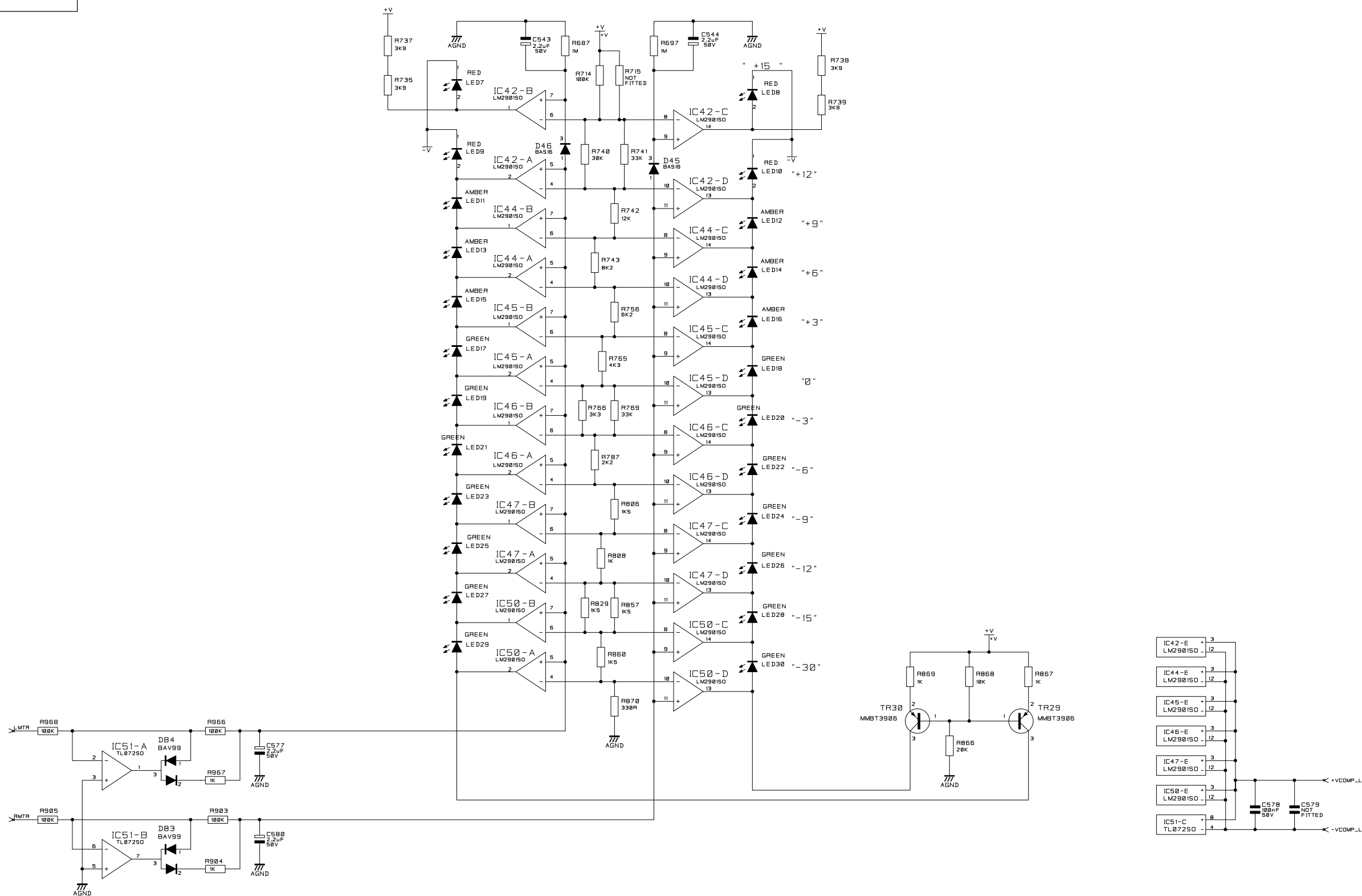
SOUNDCRAFT OWN THE COPYRIGHT OF THIS DRAWING WHICH IS NOT TO BE COPIED, REPRODUCED OR DISCLOSED, IN PART OR WHOLE TO A THIRD PARTY WITHOUT PRIOR WRITTEN PERMISSION.

SOUNDCRAFT
HARMAN INT. INDUSTRIES LTD.
CRANBORNE HOUSE,
CRANBORNE ROAD,
POTTERS BAR,
HERTS. EN9 3JN.
TEL: 01707 665000
FAX: 01707 660402

NOTES

DRN.	PMD	CN No.	INITIAL	DATE	ISSUE	TITLE
DATE	30-11-00	PRE-PROD	PMD	30-11-00	01A	SPIRIT M12 STEREO LEDS
MASTER IF RED		PRE-PROD	PMD	09-02-01	02A	

DRG NO. ED4098-02A SHT.21 OF 23



SOUNDCRAFT OWN THE COPYRIGHT OF THIS DRAWING WHICH IS NOT TO BE COPIED, REPRODUCED OR DISCLOSED, IN PART OR WHOLE TO A THIRD PARTY WITHOUT PRIOR WRITTEN PERMISSION.

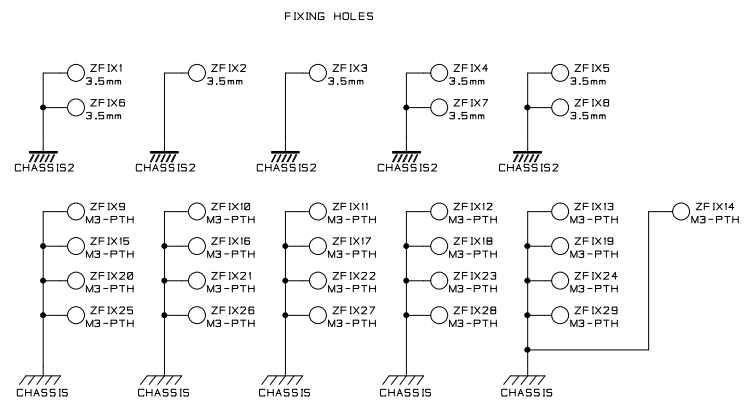
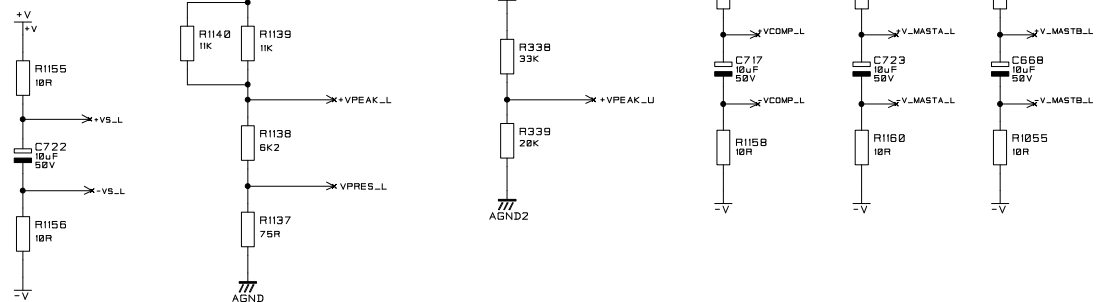
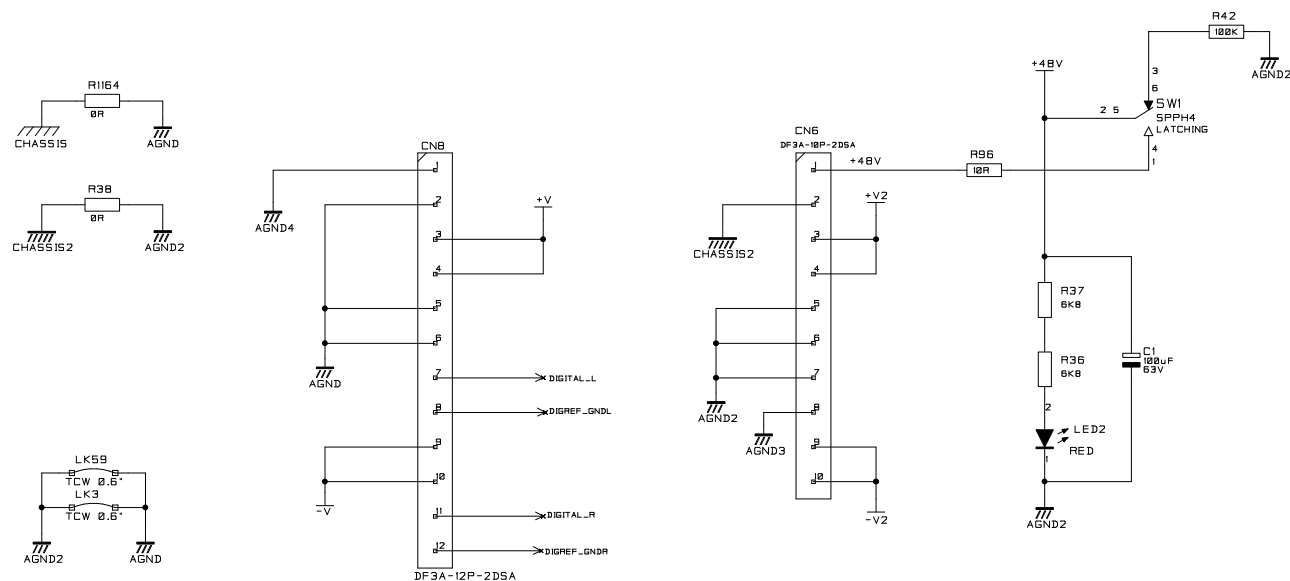
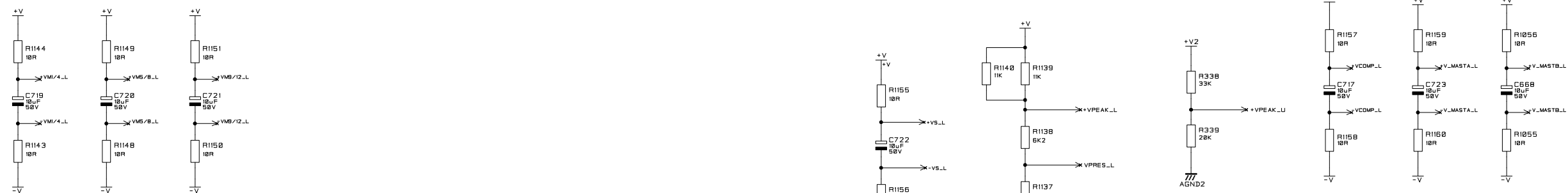
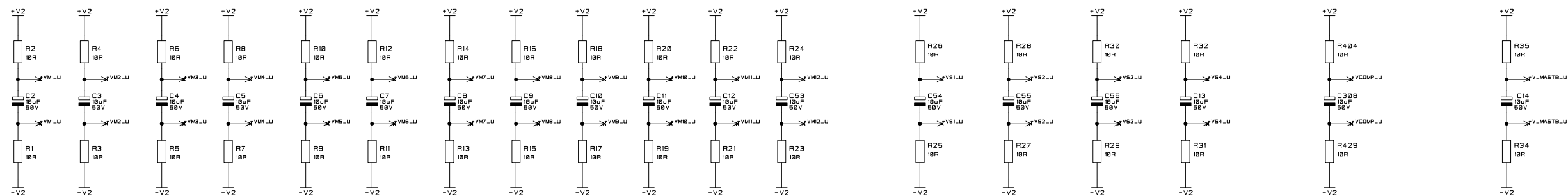
SOUNDCRAFT
HARMAN INT. INDUSTRIES LTD.
CRANBORNE HOUSE,
CRANBORNE ROAD,
POTTERS BAR,
HERTS. EN6 3JN.
TEL: 01707 665000
FAX: 01707 660402

NOTES

DRN.	PMD
DATE	30-11-00
MASTER IF	RED

CN No.	INITIAL	DATE	ISSUE
PRE-PROD	PMD	30-11-00	01A
PRE-PROD	PMD	09-02-01	02A

TITLE	SPIRIT M12 METER	
DRG NO.	ED4098-02A	SHT.22 OF 23



SOUNDCRAFT OWN THE COPYRIGHT OF THIS DRAWING WHICH IS NOT TO BE COPIED, REPRODUCED OR DISCLOSED, IN PART OR WHOLE TO A THIRD PARTY WITHOUT PRIOR WRITTEN PERMISSION.

SOUNDCRAFT
HARMAN INT. INDUSTRIES LTD.
CRANBORNE HOUSE,
CRANBORNE ROAD,
POTTERS BAR,
HERTS. EN6 3JN.
TEL: 01707 665000
FAX: 01707 660482

NOTES

DRN.	PMD	CN No.	INITIAL	DATE	ISSUE	TITLE SPIRIT M12 POWER
DATE	30-11-00	PRE-PROD	PMD	30-11-00	01A	
MASTER IF RED		PRE-PROD	PMD	09-02-01	02A	
						DRG NO. ED4098-02A
						SHT.23 OF 23

