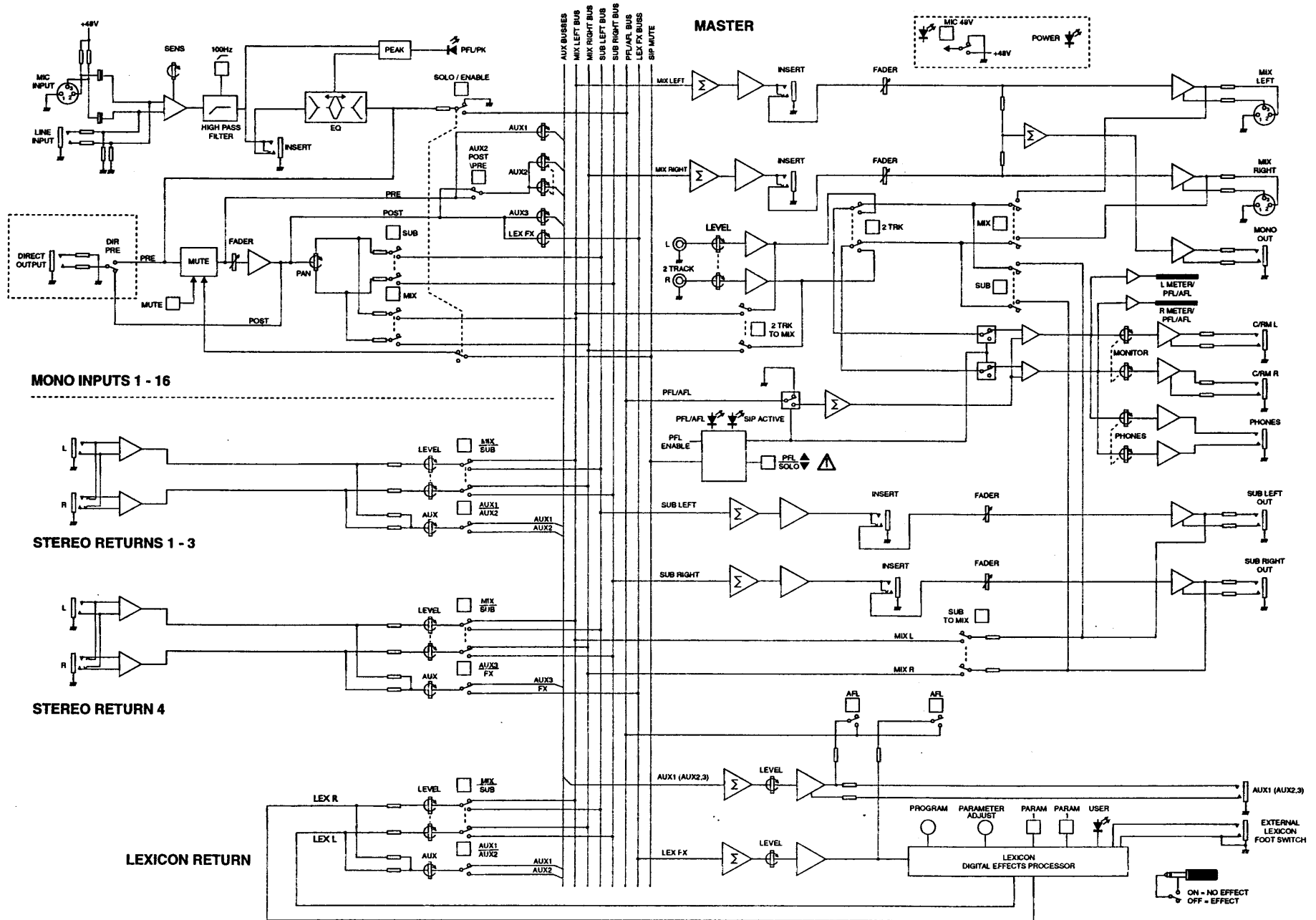
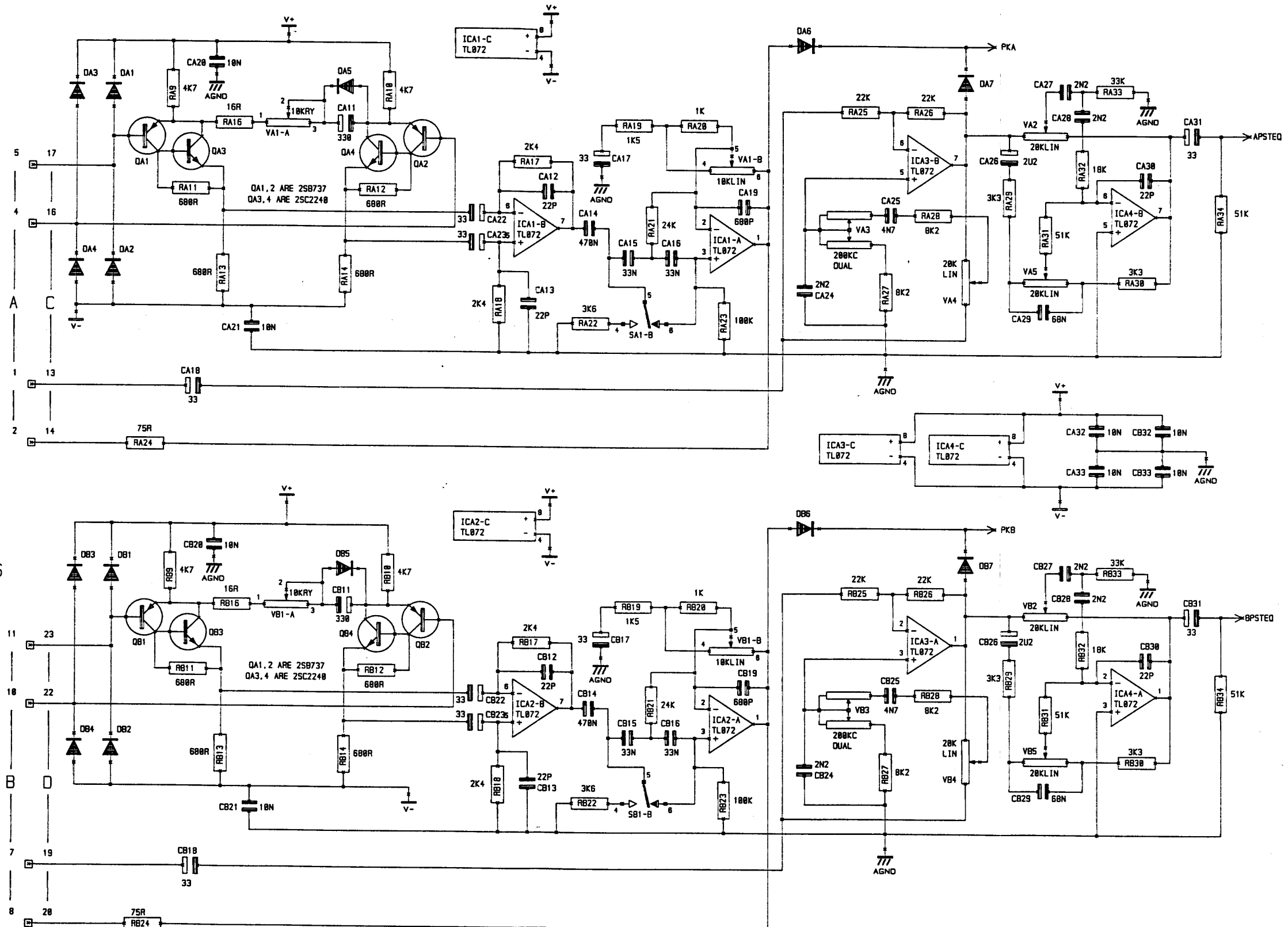


# System Block Diagram





PIN NUMBERS ON IFCN1 CONNECTOR. REPEATED FOR OTHER BLOCKS OF 4 CHANNELS

PRE AMP & EQ

SOUNDCRAFT OWNS THE COPYRIGHT OF THIS DRAWING WHICH IS NOT TO BE COPIED, REPRODUCED OR DISCLOSED, IN PART OR IN WHOLE TO A THIRD PARTY WITHOUT WRITTEN PERMISSION.

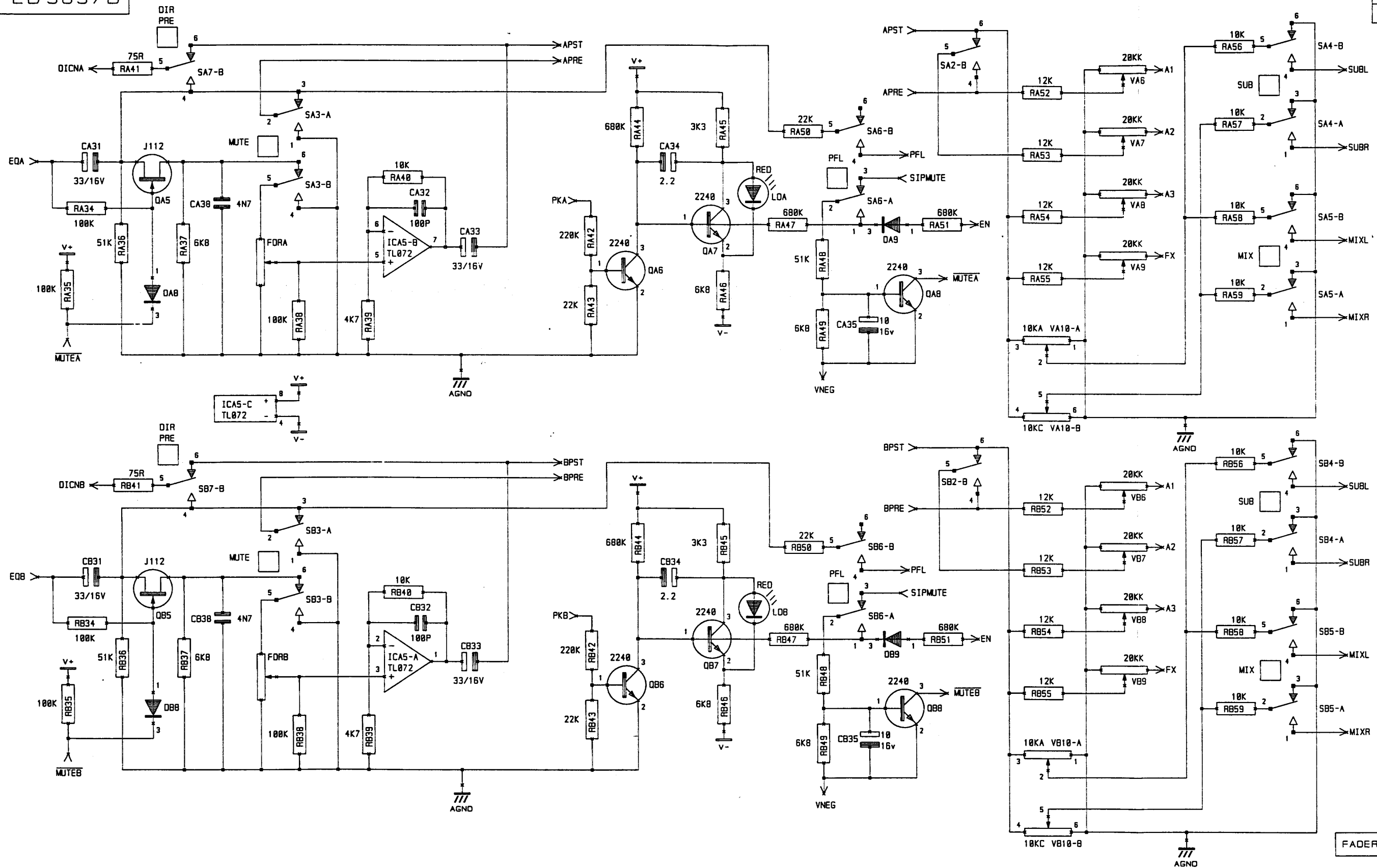
NOTES

NOTES

SOUNDCRAFT  
HARMAN INT. INDUSTRIES LTD.  
CRANBORNE HOUSE,  
CRANBORNE ROAD,  
POTTERS BAR,  
HERTS. EN6 3JN.  
TEL: 01707 665000  
FAX: 01707 660402

DRN. GH8

TITLE SPIRIT FX16 MONO INPUT  
ORG NO. ED 3897A



FADER, AUX & ROUTING

SOUNDCRAFT OWNS THE COPYRIGHT OF THIS DRAWING WHICH IS NOT TO BE COPIED, REPRODUCED OR DISCLOSED, IN PART OR IN WHOLE TO A THIRD PARTY WITHOUT WRITTEN PERMISSION.

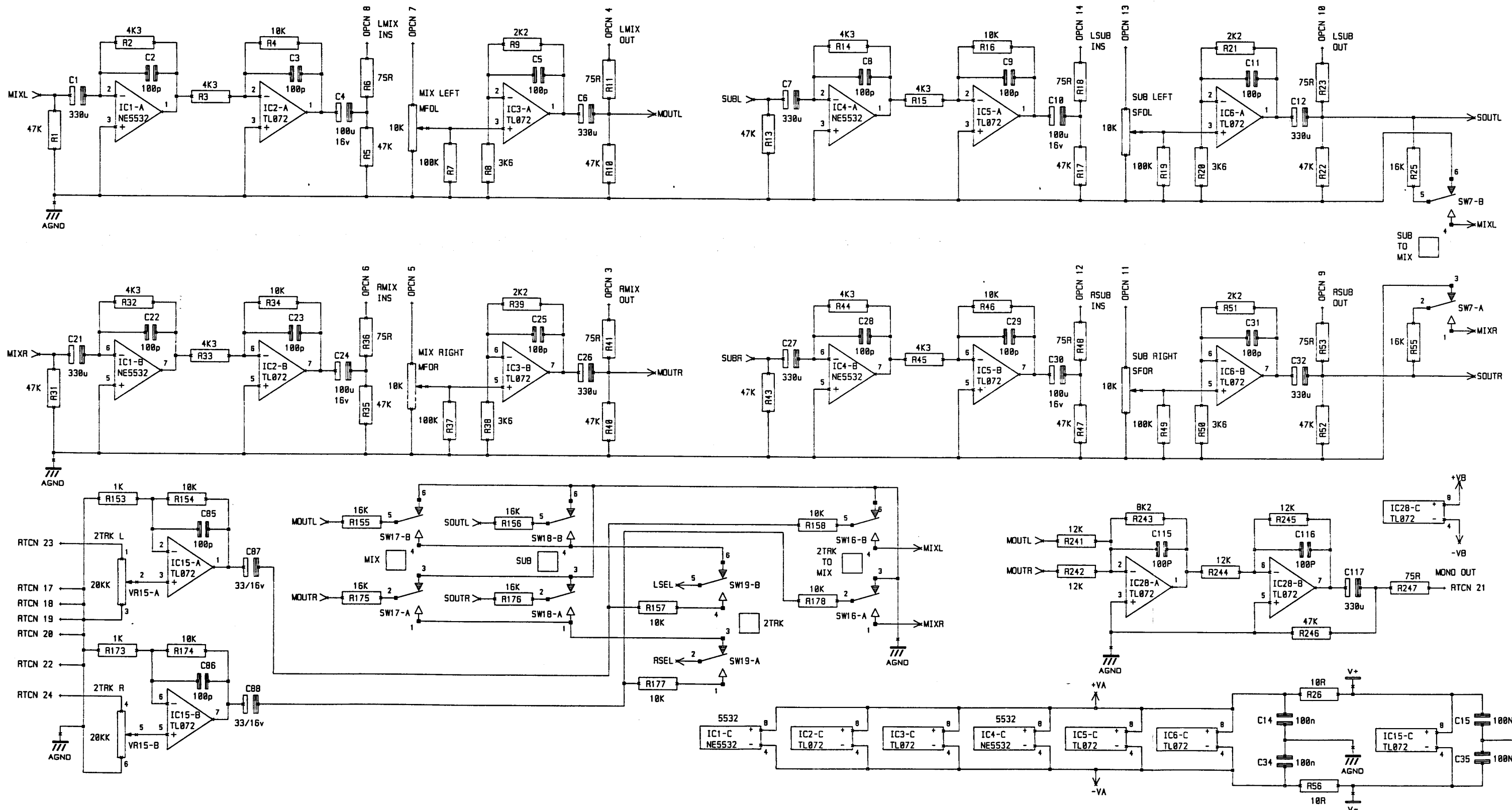
NOTES RA, RB37 (100K) NOW 6K8  
ADDED CA, CB38 - 4N7

SOUNDCRAFT  
HARMAN INT. INDUSTRIES LTD.  
CRANBORNE HOUSE,  
CRANBORNE ROAD,  
POTTERS BAR,  
HERTS., EN6 3JN  
TEL: 01707 665000  
FAX: 01707 660482

DRN. GHB

TITLE SPIRIT FX16  
MONO INPUT

ORG NO. ED 3897B



SOUNDCRAFT OWNS THE COPYRIGHT OF THIS DRAWING WHICH IS NOT TO BE COPIED, REPRODUCED OR DISCLOSED, IN PART OR IN WHOLE TO A THIRD PARTY WITHOUT WRITTEN PERMISSION.

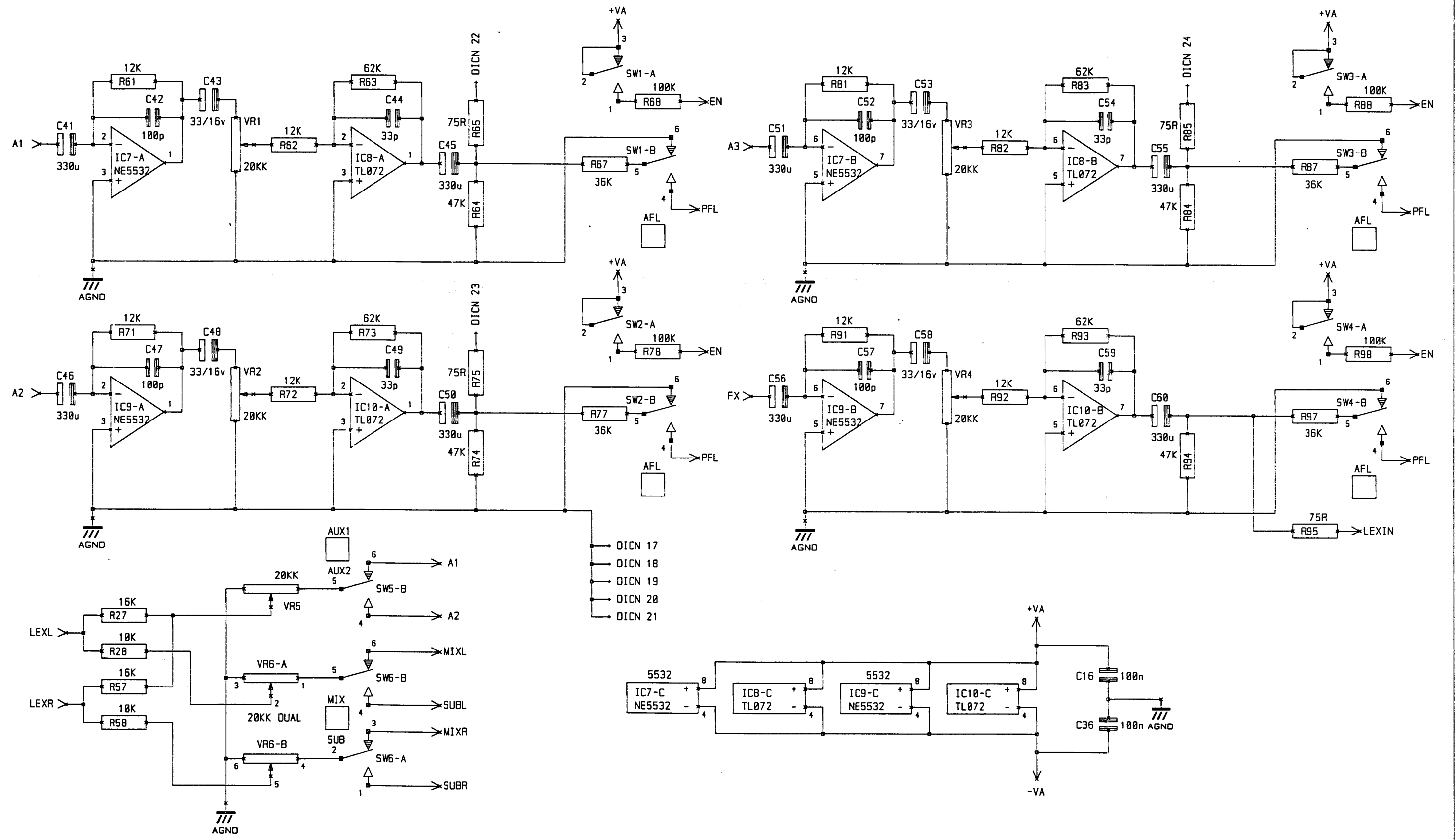
NOTES

SOUNDCRAFT  
HARMAN INT. INDUSTRIES LTD.  
CRANBORNE HOUSE,  
CRANBORNE ROAD,  
POTTERS BAR.  
HERTS., EN6 3JN  
TEL: 01707 665000  
FAX: 01707 660482

DRN. GH8

TITLE SPIRIT FX16  
MASTER 1

ORG NO. ED3897C



SOUNDCRAFT OWNS THE COPYRIGHT OF THIS DRAWING WHICH IS NOT TO BE COPIED, REPRODUCED OR DISCLOSED, IN PART OR IN WHOLE TO A THIRD PARTY WITHOUT WRITTEN PERMISSION.

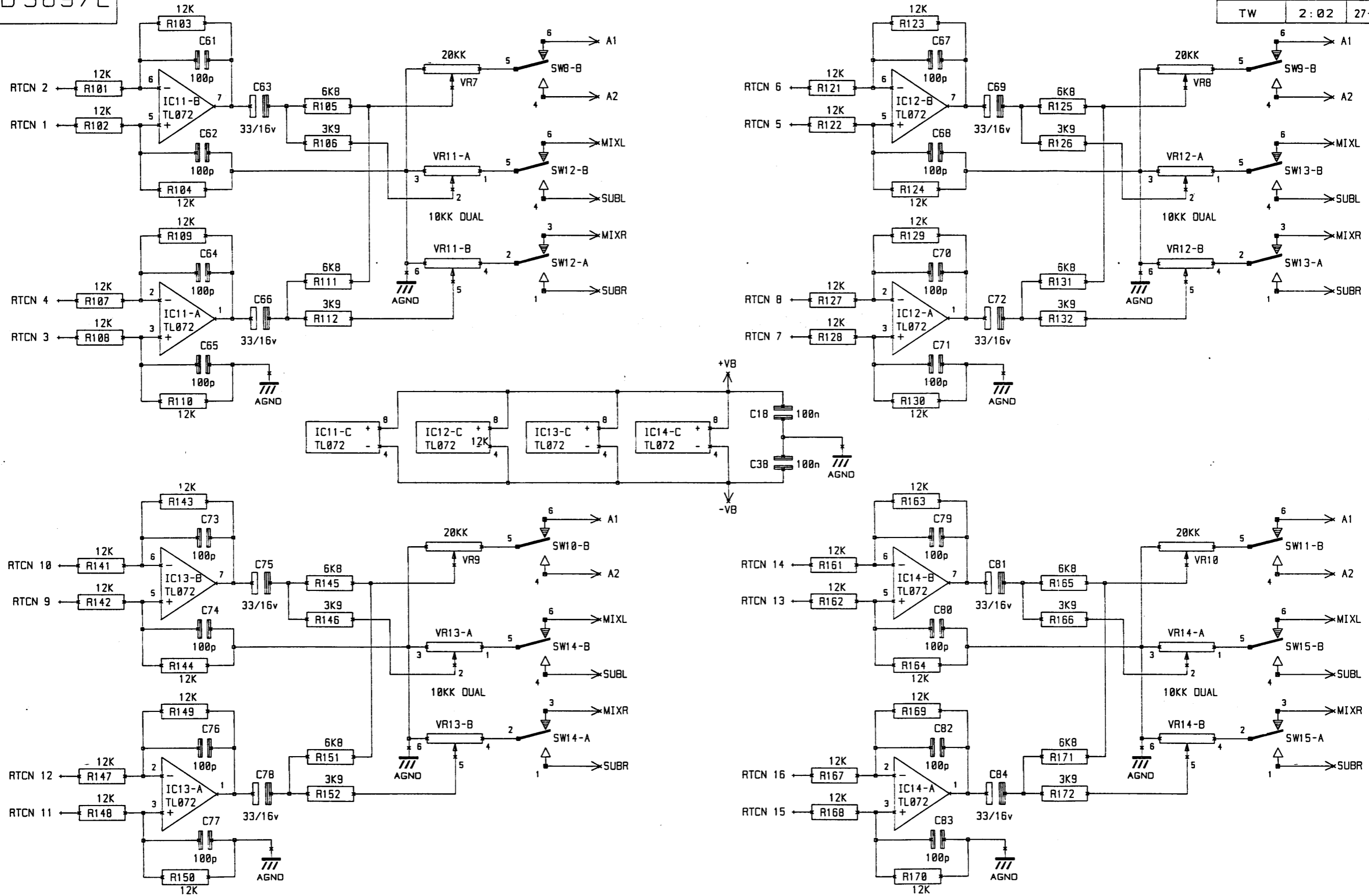
NOTES

SOUNDCRAFT  
HARMAN INT. INDUSTRIES LTD.  
CRANBORNE HOUSE,  
CRANBORNE ROAD,  
POTTERS BAR,  
HERTS., EN6 3JN.  
TEL: 01707 665000  
FAX: 01707 660482

DRN. GHB

TITLE SPIRIT FX16  
MASTER 2  
ORG NO. ED3897D  
SHT. 4 OF 7

INITIAL	ISSUE	DATE
TW	2:02	27-1-98



SOUNDCRAFT OWNS THE COPYRIGHT OF THIS DRAWING WHICH IS NOT TO BE COPIED, REPRODUCED OR DISCLOSED, IN PART OR IN WHOLE TO A THIRD PARTY WITHOUT WRITTEN PERMISSION.

NOTES

SOUNDCRAFT  
HARMAN INT. INDUSTRIES LTD.  
CRANBORNE HOUSE,  
CRANBORNE ROAD,  
POTTERS BAR,  
HERTS., ENG 3JN.  
TEL: 01707 665000  
FAX: 01707 660482

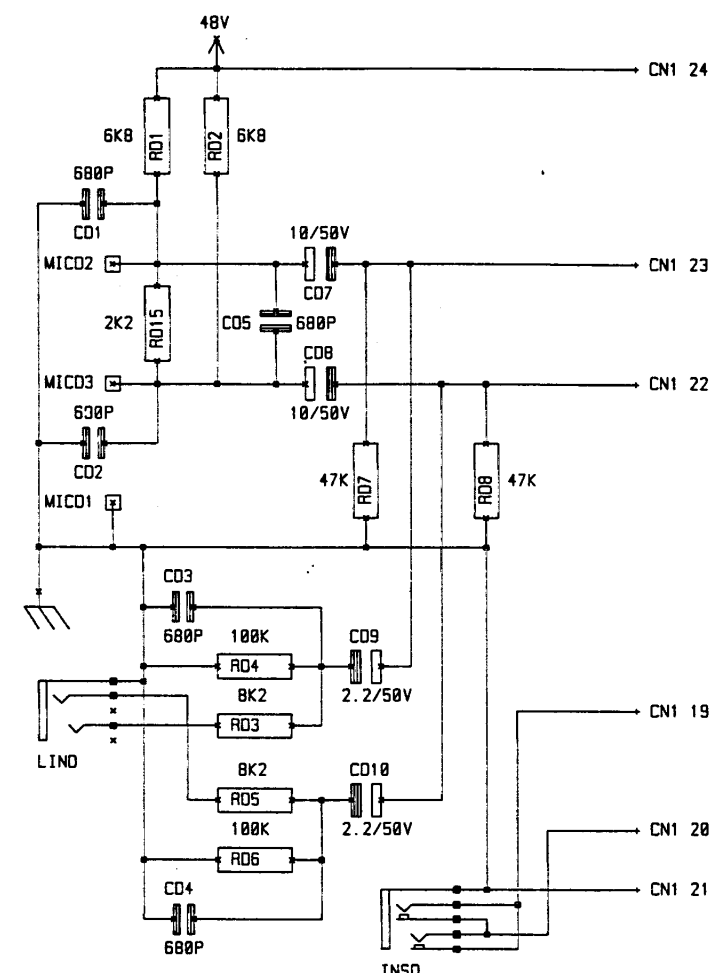
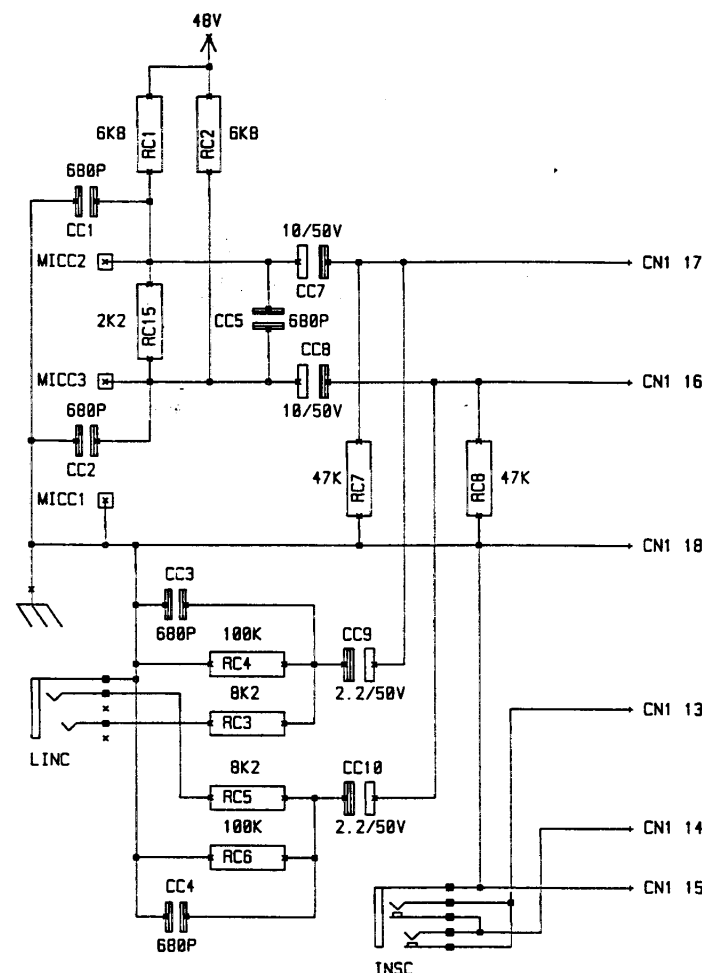
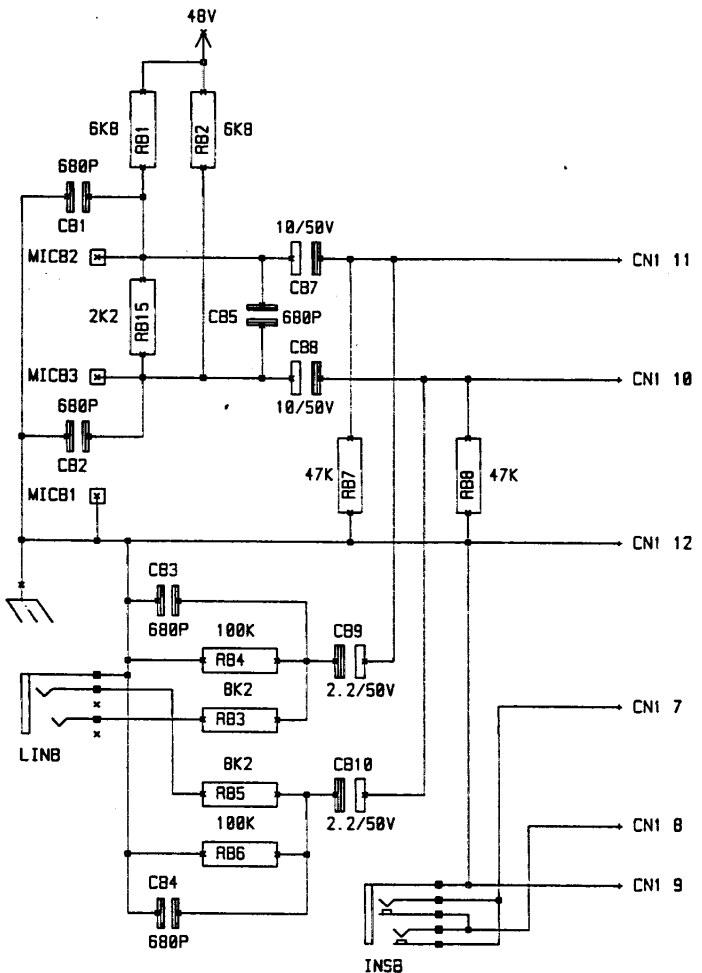
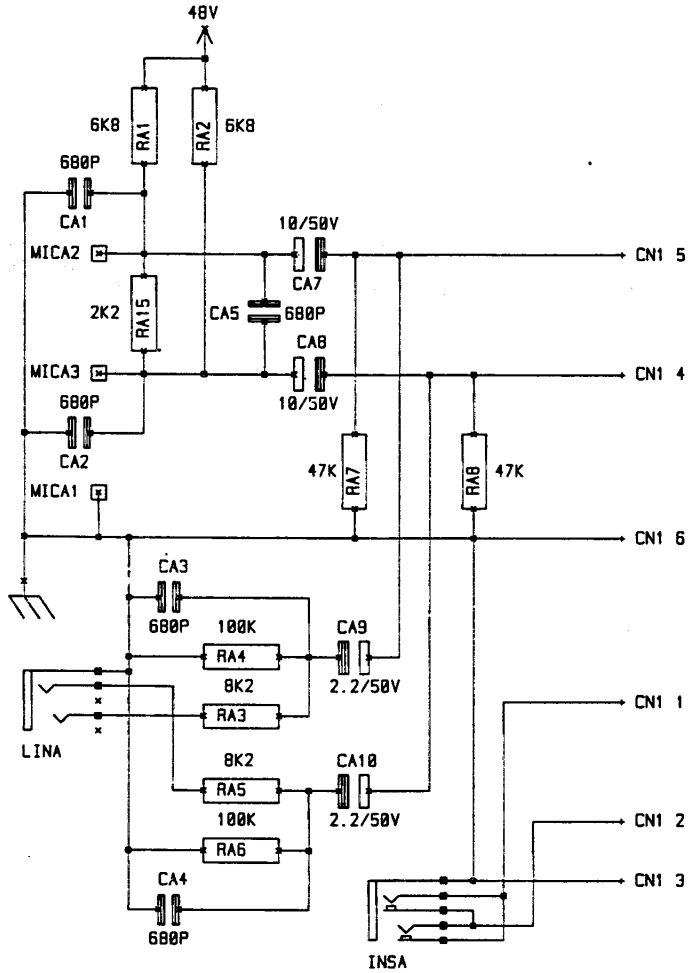
ORN. GHB

TITLE SPIRIT FX16  
MASTER 3  
ORG NO. ED 3897E









SOUNDCRAFT OWNS THE COPYRIGHT OF THIS DRAWING WHICH IS NOT TO BE COPIED, REPRODUCED OR DISCLOSED, IN PART OR IN WHOLE TO A THIRD PARTY WITHOUT WRITTEN PERMISSION.

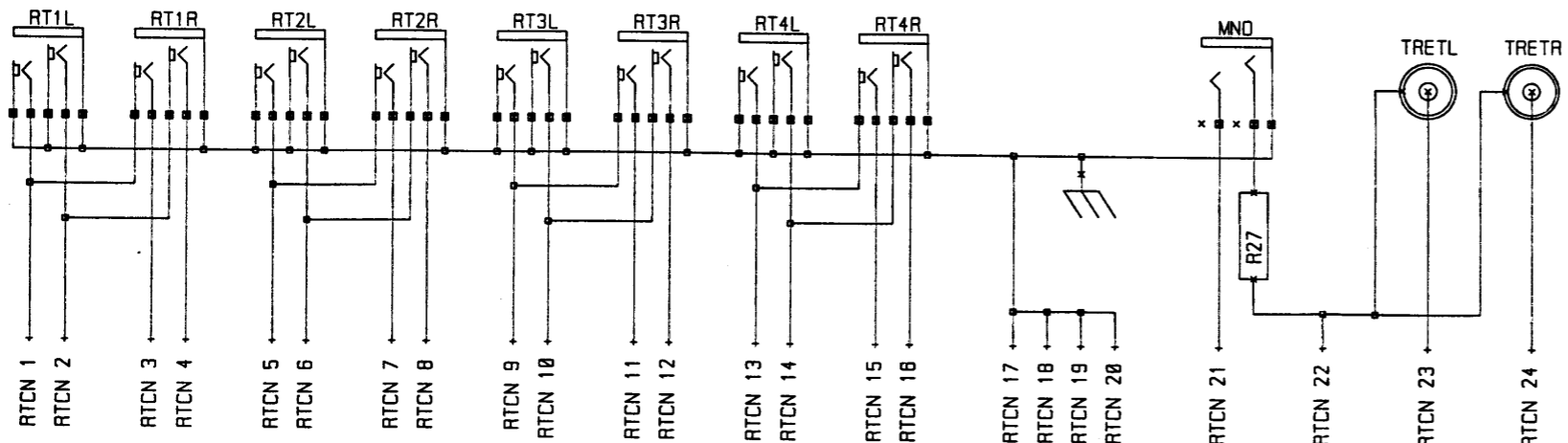
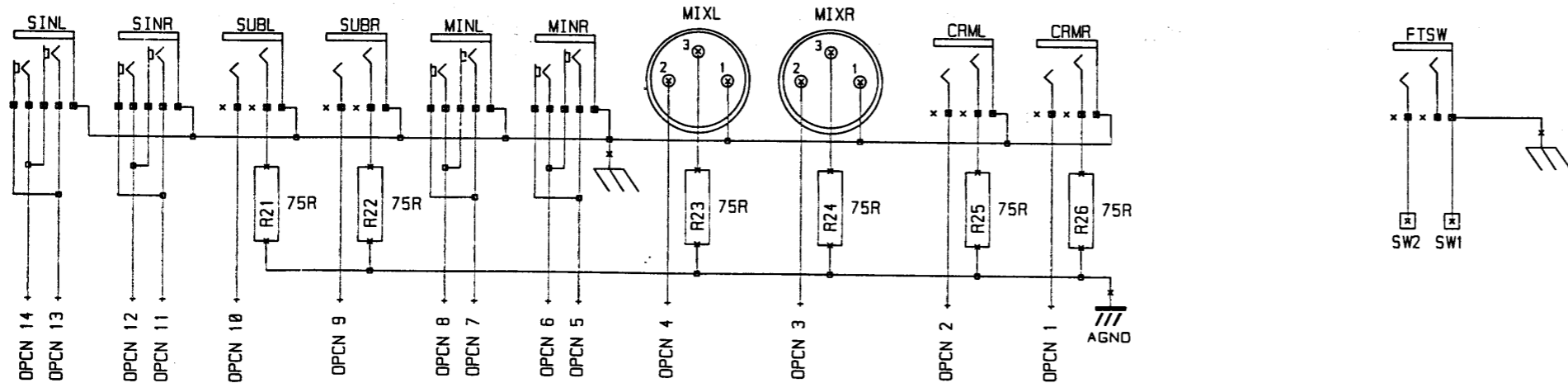
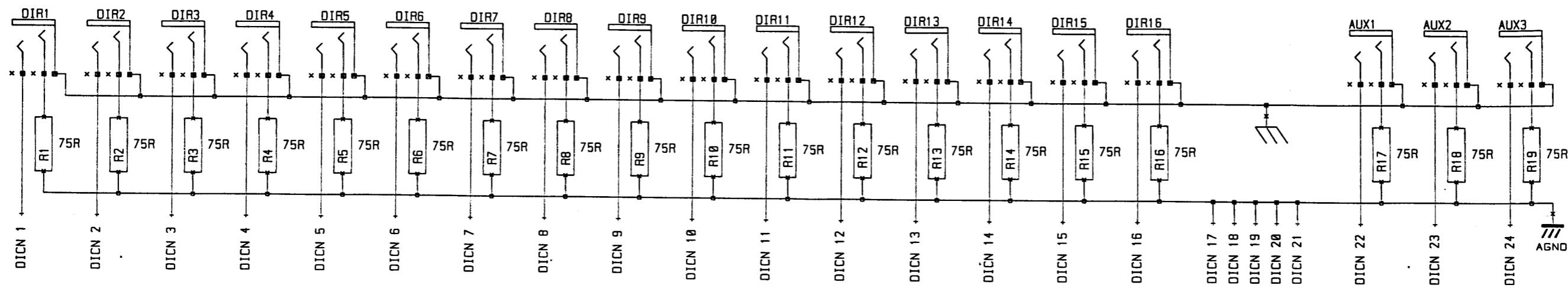
NOTES

SOUNDCRAFT  
HARMAN INT. INDUSTRIES LTD.  
CRANBORNE HOUSE,  
CRANBORNE ROAD,  
POTTERS BAR.  
HERTS., EN6 3JN  
TEL: 01707 665000  
FAX: 01707 660482

DRN. GHB

TITLE SPIRIT FX16  
REARCON BOARD

ORG NO. ED3898A



SOUNDCRAFT OWNS THE  
 COPYRIGHT OF THIS DRAWING  
 WHICH IS NOT TO BE COPIED,  
 REPRODUCED OR DISCLOSED, IN PART  
 OR IN WHOLE TO A THIRD PARTY  
 WITHOUT WRITTEN PERMISSION.

NOTES

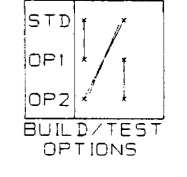
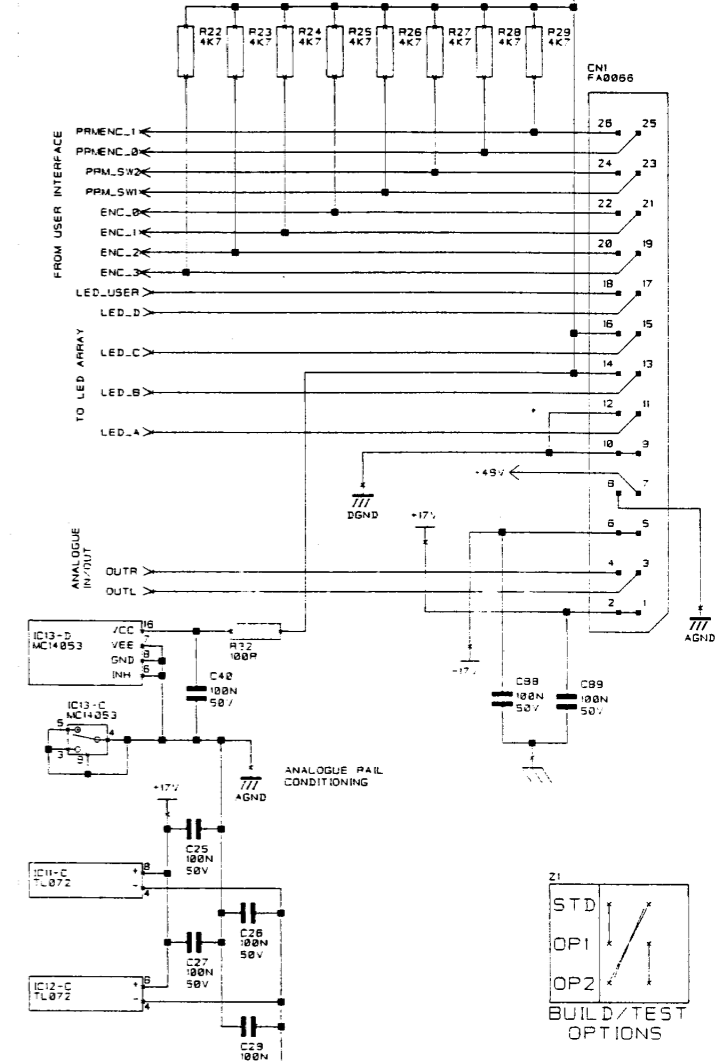
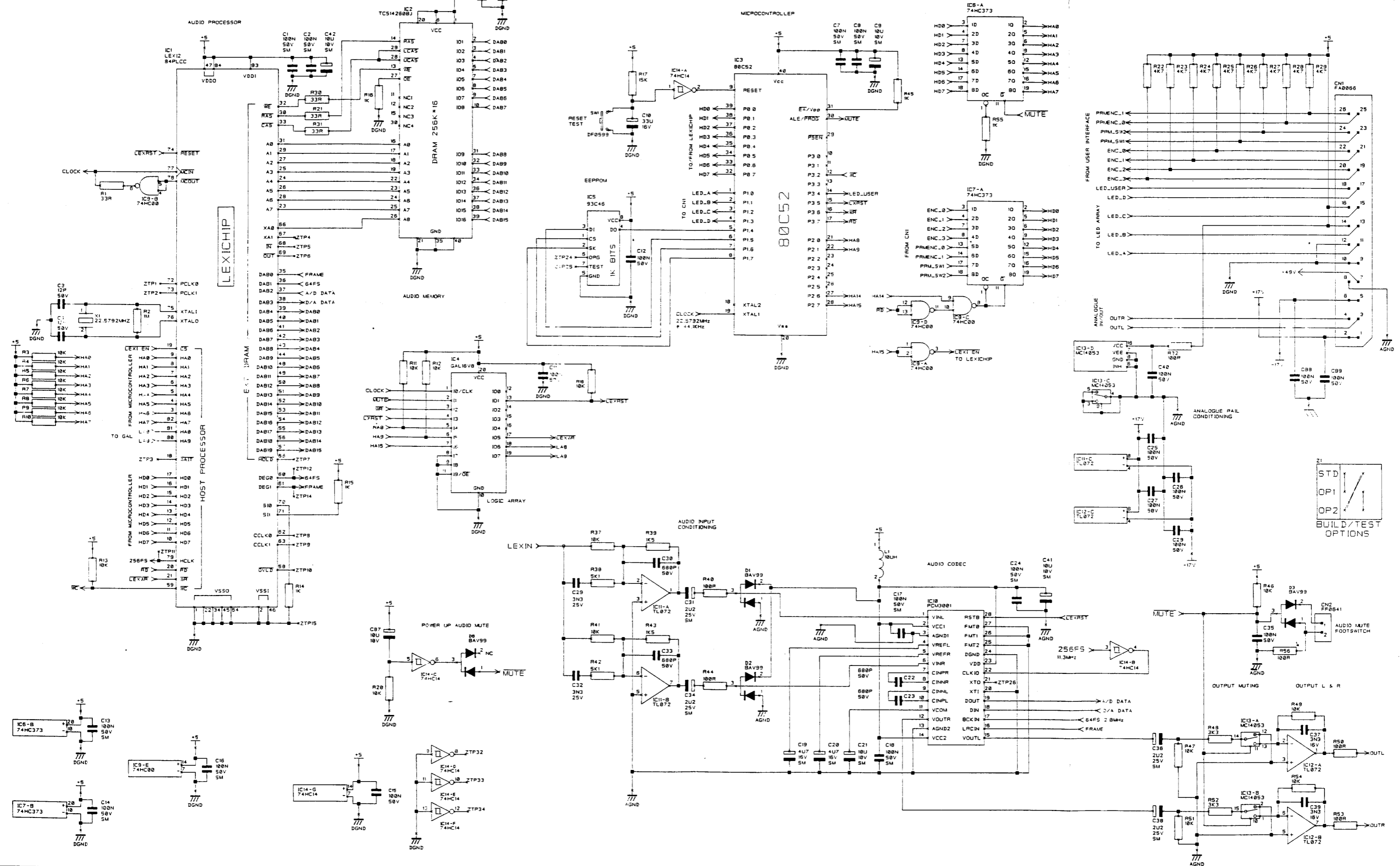
SOUNDCRAFT  
 HARMAN INT. INDUSTRIES LTD.  
 CRANBORNE HOUSE,  
 CRANBORNE ROAD,  
 POTTERS BAR,  
 HERTS., EN6 3JN.  
 TEL: 01707 665000  
 FAX: 01707 660482

DRN. GHB

TITLE SPIRIT FX16  
 OUTPUT REARCON

ORG NO. ED3898B

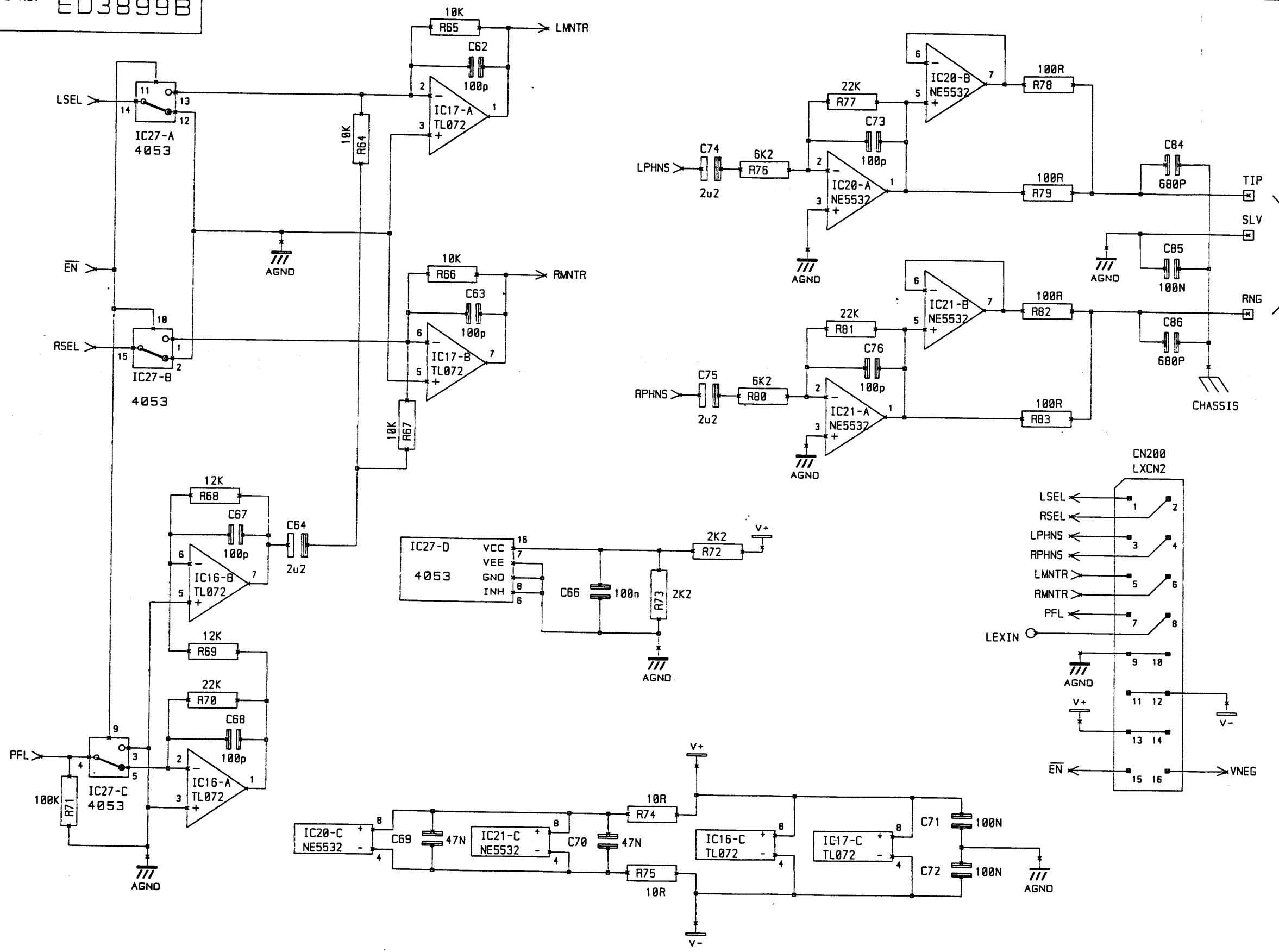
INITIAL	ISSUE	DATE
TW	3:02	26/1/98



NOTES

DRN. PRH

TITLE  
SPIRIT FX16  
LEXICON EFFECTS PCB



HANDWIRED TO PHNS JACK SOCKET.

SOUNDCRAFT OWNS THE COPYRIGHT OF THIS DRAWING WHICH IS NOT TO BE COPIED, REPRODUCED OR DISCLOSED, IN PART OR IN WHOLE TO A THIRD PARTY WITHOUT WRITTEN PERMISSION.

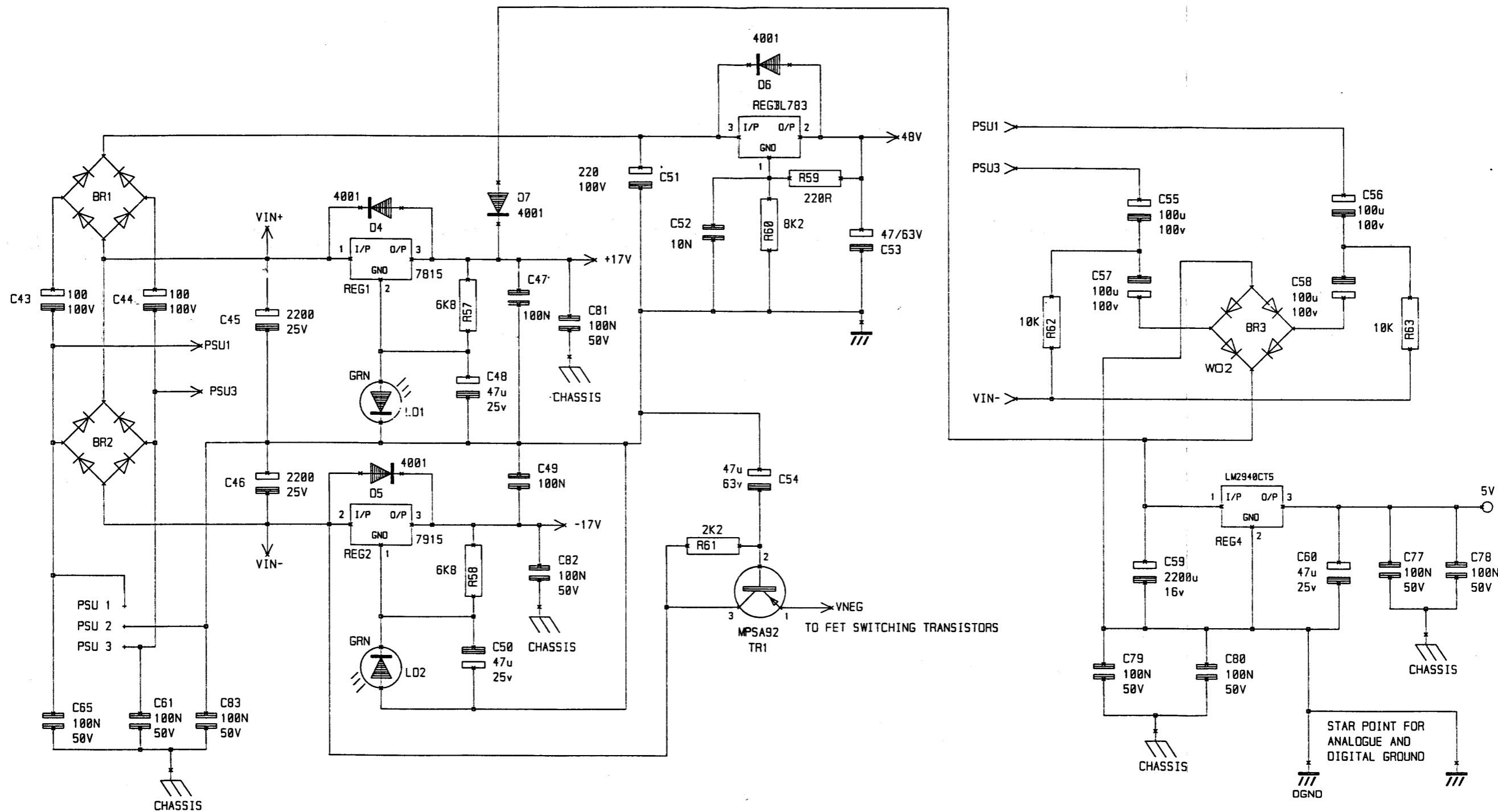
NOTES

SOUNDCRAFT  
HARMAN INT. INDUSTRIES LTD.  
CRANBORNE HOUSE,  
CRANBORNE ROAD,  
POTTERS BAR,  
HERTS., EN6 3JN.  
TEL: 01707 665000  
FAX: 01707 660482

DRN. GHB

TITLE  
**SPIRIT SX16  
MONITORING LEXICON PCB**

DRG NO. ED3899B



SOUNDCRAFT OWNS THE COPYRIGHT OF THIS DRAWING WHICH IS NOT TO BE COPIED, REPRODUCED OR DISCLOSED, IN PART OR IN WHOLE TO A THIRD PARTY WITHOUT WRITTEN PERMISSION.

NOTES

SOUNDCRAFT  
HARMAN INT. INDUSTRIES LTD.  
CRANBORNE HOUSE,  
CRANBORNE ROAD,  
POTTERS BAR,  
HERTS., EN6 3JN.  
TEL: 01707 665000  
FAX: 01707 660482

DRN.

TITLE SPIRIT FX16  
PSU BOARD

DRG NO. ED3899C

DATE 2/02/98  
 TIME 16:18:45  
 REPORT DE-500

SOUNDCRAFT

PAGE 1  
 PLANT MFG  
 REQUESTOR COLIN LEE

BILL OF MATERIAL - INDENTED EXPLOSION  
 EFFECTIVITY DATE: 2/02/98

LEVELS	SEQ	PART NUMBER/ DESCRIPTION	PART TYPE	FLT DAYS / CMP OFFSET	DRAWING NUMBER	ENG --- REV I/O	EFFECTIVITY --- DATE ECO	BATCH QTY/ QTY PEUM	SC FC	USG CDE	TOTAL QTY
		PARENT									
		RW5530 SPIRIT FX16 CONSOLE((230V	MFG	.0000		002		1.000 EA			1.000
		COMPONENT									
1	000	HB0167 SPIRIT FOLIO4 TRANSFORMER	PUR	40.0000 000		000		1. EA 00	C		1.000
1	000	RW5526 SPIRIT FX16 CONSOLE	B/T	.0000 000		002		1. EA 00	C		1.000
.2	000	KA0227 S/THROW 2-PRT FDR KNOB-RE	PUR	.0000 000	K57186	000		4. EA 00	C		4.000
.2	000	KA0228 S/THROW 2-PRT FDR KNOB-WH	PUR	.0000 000	K57187	000		16. EA 00	C		16.000
.2	000	KA0298 SIF FOLIO SX POT KNOB RED	PUR	35.0000 000		000		24. EA 00	C		24.000
.2	000	KA0299 SIF FOLIO SX POT KNOB GRE	PUR	35.0000 000		000		48. EA 00	C		48.000
.2	000	KA0300 SIF FOLIO SX POT KNOB BLA	PUR	35.0000 000		000		16. EA 00	C		16.000
.2	000	KA0302 SIF FOLIO SX POT KNOB BLU	PUR	35.0000 000		000		73. EA 00	C		73.000
.2	000	KA0303 SIF FOLIO SX POT KNOB YEL	PUR	35.0000 000		000		16. EA 00	C		16.000
.2	000	KA0354 FX ENCODER KNOB	PUR	35.0000 000		000		1. EA 00	C		1.000
.2	000	KA0355 FX ENCODER KNOB WITH LINE	PUR	35.0000 000		000		1. EA 00	C		1.000
.2	000	KB2057 FOLIO SX ELIP BNK SWT CAP	PUR	40.0000 000	MD7813 /03	000		135. EA 00	C		135.000
.2	000	NA0130 M3 X 8MM PAN POZI BLCK SC	PUR	.0000 000		000		21. EA 00	C		21.000
.2	000	NA0249 NO4X3/8" PAN POZI S/T BLK	PUR	20.0000 000		000		37. EA 00	C		37.000
.2	000	NA0429 M2.5X6 PAN POZI SCREW BLK	PUR	30.0000 000		000		27. EA 00	C		27.000
.2	000	NA0441 M3X8MM CSK POZI TAPTITE S	PUR	30.0000 000		000		21. EA 00	C		21.000
.2	000	NB0113 M3 NYLON INSERT NUT	PUR	20.0000 000		000		2. EA 00	C		2.000
.2	000	NB0176 NUT(PART OF FH0773&FH0777/	PUR	60.0000 000		000		70. EA 00	C		70.000
.2	000	NC0296 WASHER(PART OF FH0773&FHO	PUR	60.0000 000		000		70. EA 00	C		70.000

DATE 2/02/98  
 TIME 16:18:45  
 REPORT DE-500

SOUNDCRAFT

REQUESTOR COLIN LEE

BILL OF MATERIAL - INDENTED EXPLOSION  
 EFFECTIVITY DATE: 2/02/98

LEVELS	SEQ	PART NUMBER/ DESCRIPTION	PART TYPE	FLT DAYS / CMP OFFSET	DRAWING NUMBER	ENG --- REV I/O	EFFECTIVITY --- DATE ECO	BATCH QTY/ QTY PEUM	SC FC	USG CDE	TOTAL QTY
		PARENT									
		RW5530	MFG	.0000		002		1.000 EA			1.000
		SPIRIT FX16 CONSOLE((230V									
		COMPONENT									
.2	000	ND0450 RICHCO SUPPORT PILLAR	PUR	30.0000 000	RLCBSRS-4-01	000		3. EA	00 C		3.000
.2	000	PB0723-01 SPIRIT FX16 COVER PLATE	PUR	30.0000 000	MD8398 /01	000		1. EA	00 C		1.000
.2	000	PC1374-01 SPIRIT FX16 FRONT PNL	PUR	30.0000 000	MD8395 /02	000	OUT 30/12/99 5235	1. EA	00 C		1.000
.2	000	PC1375-01 SPIRIT FX16 RR CON PNL	PUR	30.0000 000	MD8397 /03	000		1. EA	00 C		1.000
.2	000	PF0663-01 SPIRIT FX16 SHIELD	PUR	30.0000 000	MD8400 /02	000		1. EA	00 C		1.000
.2	000	PH1441-01 SPIRIT FX16 BASE PNL	PUR	30.0000 000	MD8396 /01	000		1. EA	00 C		1.000
.2	000	PH1442-01 SPIRIT FX16 CROSSMEMBER	PUR	30.0000 000	MD8399 /01	000		1. EA	00 C		1.000
.2	000	PH1443-01 SPIRIT FX16 SIDE PLATE LH	PUR	30.0000 000	MD8407 /02	000		1. EA	00 C		1.000
.2	000	PH1444-01 SPIRIT FX16 SIDE PLATE RH	PUR	30.0000 000	MD8408 /02	000		1. EA	00 C		1.000
.2	000	RA3899 SPIRIT FX16 LEXICON+PSU P	MFG	.0000 002	SC3899/1	000		1. EA	00 C		1.000
..3	REF	AA ***PROCESS SHEET ISSUE*** ISSUE 11111 - 6.11.97 PV	REF	.0000 000		000		1. EA	00 C		1.000
..3	000	BA0005 DIODE 1N4001 D4,5,6	PUR	60.0000 000	IN4001	000		3. EA	00 C		3.000
..3	000	BC0214 BDG RECT W02G BR1,3	PUR	.0000 000		000		2. EA	00 C		2.000
..3	000	BC0221 BD6 RECT SIL 2A 200V BR2	PUR	40.0000 000	KBP02	000		1. EA	00 C		1.000
..3	000	BD0370 MPSA92 PNP TRANS	PUR	80.0000 000	MPSA92-MOT	000		1. EA	00 C		1.000

DATE 2/02/98  
 TIME 16:18:45  
 REPORT DE-500

SOUNDCRAFT

REQUESTOR COLIN LEE

BILL OF MATERIAL - INDENTED EXPLOSION  
 EFFECTIVITY DATE: 2/02/98

LEVELS	SEQ	PART NUMBER/ DESCRIPTION	PART TYPE	FLT CMP	DAYS / OFFSET	DRAWING NUMBER	ENG REV	--- I/O	EFFECTIVITY DATE	--- ECO	BATCH QTY/ QTY PEUM	SC FC	USG CDE	TOTAL QTY
		PARENT												
		RW5530 SPIRIT FX16 CONSOLE((230V	MFG		.0000		002				1.000 EA			1.000
		COMPONENT												
..3	000	BD0370 MPSA92 PNP TRANS TR1				(Continued)								
..3	000	BE0416 V.REG 7815 +15V 1A REG1	PUR		120.0000 000	LM340T-15	000				1. EA	00 C		1.000
..3	000	BE0417 V.REG 7915 -15V 1A REG2	PUR		210.0000 000	LM7915CT	000				1. EA	00 C		1.000
..3	000	BE0455 VOLTAGE REG TL783CKC REG3	PUR		.0000 000	TL783CKC	000				1. EA	00 C		1.000
..3	000	BE0534 V.REG LM2940CT5 REG4	PUR		40.0000 000	LM2940CT-5.0	000				1. EA	00 C		1.000
..3	000	BK0927 P80C521BPN M/CONT MASKED IC3	PUR		65.0000 000	P80C521BPN	000				1. EA	00 C		1.000
..3	000	BM1246 I/C 16I/P UMIV CMOS PALCE IC4	PUR		45.0000 000	PALCE16V8H10PC4	000				1. EA	00 C		1.000
..3	000	CE0452 VERT ELEC 100UF 100V C43,44,55,56,57,58	PUR		.0000 000	SKR 100/100V	000				6. EA	00 C		6.000
..3	000	CE0457 VERT ELEC 33UF/16V C10	PUR		20.0000 000	SSO 33UF/16V	000				1. EA	00 C		1.000
..3	000	CE0459 VERT ELEC 220UF/100V 24X1 C51	PUR		40.0000 000	SKR221M2AK25V	000				1. EA	00 C		1.000



DATE 2/02/98  
 TIME 16:18:45  
 REPORT DE-500

SOUNDCRAFT

REQUESTOR COLIN LEE

BILL OF MATERIAL - INDENTED EXPLOSION  
 EFFECTIVITY DATE: 2/02/98

LEVELS	SEQ	PART NUMBER/ DESCRIPTION	PART TYPE	FLT DAYS / CMP OFFSET	DRAWING NUMBER	ENG --- REV I/O	EFFECTIVITY --- DATE ECO	BATCH QTY/ QTY PEUM	SC FC	USG CDE	TOTAL QTY
		PARENT									
		RW5530 SPIRIT FX16 CONSOLE((230V	MFG	.0000		002		1.000 EA			1.000
		COMPONENT									
..3	000	CE0459 VERT ELEC 220UF/100V 24X1 (Continued)									
..3	000	CE0460 VERT ELEC 2200/25V 26X12M C45,46,59	PUR	40.0000 000	SKR222M1EJ26V	000		3. EA 00		C	3.000
..3	000	DF0599 KBRD SWT SPST N/O VERT PC SW1	PUR	20.0000 000	320-871	000		1. EA 00		C	1.000
..3	000	FA0068 T&B CON IDC 16WY LW PRF V CN200	PUR	40.0000 000	008380016000042	000		1. EA 00		C	1.000
..3	000	FA0096 T&B IDC 26WY VERT ML BOX CN1	PUR	40.0000 000	008380026000042	000		1. EA 00		C	1.000
..3	000	FF0627 MTHD 3WY .1" ML LCKG PLRS PSU	PUR	40.0000 000	1100-8-103-01	000		1. EA 00		C	1.000
..3	000	FF0641 MTHD .1" 2WY VERT LCKNG M CN2	PUR	40.0000 000	1100-8-102-01	000		1. EA 00		C	1.000
..3	000	FF0729 40WY DIL IC SKT DUAL WIPE IC3	PUR	40.0000 000	DIL/40/NKZ	000		1. EA 00		C	1.000
..3	000	JA0110 LED GREEN 3MM S/B"17.5"-M LD1,2	PUR	60.0000 000	BLB2141T BINP+Q	000		2. EA 00		C	2.000
..3	000	LA0040 24/0.2 GREEN WIRE FIT UNDER BOARD R77 TO IC14	PUR	10.0000 000	047396G	000		.19 M 00		C	.190

DATE 2/02/98  
 TIME 16:18:45  
 REPORT DE-500

SOUNDCRAFT

REQUESTOR COLIN LEE

BILL OF MATERIAL - INDENTED EXPLOSION  
 EFFECTIVITY DATE: 2/02/98

LEVELS	SEQ	PART NUMBER/ DESCRIPTION	PART TYPE	FLT DAYS / CMP OFFSET	DRAWING NUMBER	ENG --- REV 1/O	EFFECTIVITY --- DATE ECO	BATCH QTY/ QTY PEUM	SC FC	USG CDE	TOTAL QTY
		PARENT									
		RW5530 SPIRIT FX16 CONSOLE((230V	MFG	.0000		002		1.000 EA			1.000
		COMPONENT									
..3	000	NA0438 M3X10MM PAN POZI STAINLES HEATSINK BKT	PUR	99.0000 000		000		2. EA 00	C		2.000
..3	000	NB0113 M3 NYLON INSERT NUT HEATSINK BKT	PUR	20.0000 000		000		2. EA 00	C		2.000
..3	000	NF0518 SNAP RIVET SRHR 3555 REG1,2,3,4	PUR	30.0000 000	SRHR 3555	000		4. EA 00	C		4.000
..3	000	PD0563-01 SPIRIT FX16 HEATSINK BKT	PUR	30.0000 000	MD8401 /02	000		1. EA 00	C		1.000
..3	000	RA3899A-SM SPIRIT FX16 LEXICON+PSU S	MFG	.0000 003	SC3899/1	000		1. EA 00	C		1.000
...4	REF	AA ***PROCESS SHEET ISSUE*** ISSUE 00001 - 10.10.97 PV	REF	.0000 000		000		1. EA 00	C		1.000
...4	000	AS0100R-0805J SM0805 RES 10R 5% 0.1W T2 R74,75, Z1	PUR	80.0000 000		000		3. EA 00	C		3.000
...4	000	AS0101R-0805J SM0805 RES 100R 5% 0.1W T R32,40,44,50,53,78,79,82,83	PUR	80.0000 000		000		9. EA 00	C		9.000
...4	000	AS0102R-0805J SM0805 RES 1K 5% 0.1W T20 R14,15,16,45,55	PUR	80.0000 000		000		5. EA 00	C		5.000
...4	000	AS0103R-0805J SM0805 RES 10K 5% 0.1W T2 R3,4,5,6,7,8,9,10,11,12,13,18,20,22,23,24,25,26,27,28,29, 37,41,46,47,49,51,54,62,63,64,65,66,67	PUR	80.0000 000		000		34. EA 00	C		34.000

DATE 2/02/98  
 TIME 16:18:45  
 REPORT DE-500

SOUNDCRAFT

REQUESTOR COLIN LEE

BILL OF MATERIAL - INDENTED EXPLOSION  
 EFFECTIVITY DATE: 2/02/98

LEVELS	SEQ	PART NUMBER/ DESCRIPTION	PART TYPE	FLT DAYS / CMP OFFSET	DRAWING NUMBER	ENG REV	--- I/O	EFFECTIVITY DATE	--- ECO	BATCH QTY/ QTY PEUM	SC FC	USG CDE	TOTAL QTY
		PARENT											
		RW5530 SPIRIT FX16 CONSOLE((230V	MFG	.0000		002				1.000 EA			1.000
		COMPONENT											
...4	000	AS0104R-0805J SM0805 RES 100K 5% 0.1W T R71	PUR	80.0000 000		000				1. EA	00 C		1.000
...4	000	AS0105R-0805J SM0805 RES 1M 5% 0.1W T2 R2	PUR	80.0000 000		000				1. EA	00 C		1.000
...4	000	AS0123R-0805J SM0805 RES 12K 5% 0.1W T2 R68,69	PUR	80.0000 000		000				2. EA	00 C		2.000
...4	000	AS0152R-0805J SM0805 RES 1K5 5% 0.1W T2 R39,43	PUR	80.0000 000		000				2. EA	00 C		2.000
...4	000	AS0153R-0805J SM0805 RES 15K 5% 0.1W T2 R17	PUR	80.0000 000		000				1. EA	00 C		1.000
...4	000	AS0221R-0805J SM0805 RES 220R 5% 0.1W T R59	PUR	80.0000 000		000				1. EA	00 C		1.000
...4	000	AS0222R-0805J SM0805 RES 2K2 5% 0.1W T2 R61,72,73	PUR	80.0000 000		000				3. EA	00 C		3.000
...4	000	AS0223R-0805J SM0805 RES 22K 5% 0.1W T2 R70	PUR	80.0000 000		000				1. EA	00 C		1.000
...4	000	AS0303R-0805J SM0805 RES 30K 5% 0.1W T2 R77,81	PUR	80.0000 000		000				2. EA	00 C		2.000
...4	000	AS0330R-0805J SM0805 RES 33R 5% 0.1W T2	PUR	80.0000 000		000				4. EA	00 C		4.000

DATE 2/02/98  
 TIME 16:18:45  
 REPORT DE-500

SOUNDCRAFT

REQUESTOR COLIN LEE

BILL OF MATERIAL - INDENTED EXPLOSION  
 EFFECTIVITY DATE: 2/02/98

LEVELS	SEQ	PART NUMBER/ DESCRIPTION	PART TYPE	FLT CMP	DAYS / OFFSET	DRAWING NUMBER	ENG REV	--- I/O	EFFECTIVITY DATE	--- ECO	BATCH QTY	QTY/ PEUM	SC FC	USG CDE	TOTAL QTY
		PARENT													
		RW5530 SPIRIT FX16 CONSOLE((230V	MFG		.0000		002				1.000	EA			1.000
		COMPONENT													
...4	000	AS0330R-0805J SM0805 RES 33R 5% 0.1W T2 (Continued) R1,21,30,31													
...4	000	AS0332R-0805J SM0805 RES 3K3 5% 0.1W T2 R48,52	PUR		80.0000 000		000				2.	EA 00	C		2.000
...4	000	AS0512R-0805J SM0805 RES 5K1 5% 0.1W T2 R38,42	PUR		80.0000 000		000				2.	EA 00	C		2.000
...4	000	AS0622R-0805F SM0805 RES 6K2 1% 0.1W T2 R76,80	PUR		80.0000 000		000				2.	EA 00	C		2.000
...4	000	AS0682R-0805J SM0805 RES 6K8 5% 0.1W T2 R57,58	PUR		80.0000 000		000				2.	EA 00	C		2.000
...4	000	AS0822R-0805J SM0805 RES 8K2 5% 0.1W T2 60	PUR		80.0000 000		000				1.	EA 00	C		1.000
...4	000	BS0005R-SOT23 BAV99 SM DIODE D1,2,3,8	PUR		200.0000 000	BAV99-HIGH	000				4.	EA 00	C		4.000
...4	000	BS2001R 74HC00 SM QD 2 I/P NAND IC9	PUR		80.0000 000	056689R	000				1.	EA 00	C		1.000
...4	000	BS2010R 74HC14 SM HEX INV SCHMT T IC14	PUR		80.0000 000	056694D	000				1.	EA 00	C		1.000
...4	000	BS2085R 74HC373 SM OCT D LTCH 3ST IC6,7	PUR		100.0000 000	056720X	000				2.	EA 00	C		2.000

DATE 2/02/98  
 TIME 16:18:45  
 REPORT DE-500

SOUNDCRAFT

REQUESTOR COLIN LEE

BILL OF MATERIAL - INDENTED EXPLOSION  
 EFFECTIVITY DATE: 2/02/98

LEVELS	SEQ	PART NUMBER/ DESCRIPTION	PART TYPE	FLT CMP	DAYS / OFFSET	DRAWING NUMBER	ENG REV	--- I/O	EFFECTIVITY DATE	--- ECO	BATCH QTY	QTY/ PEUM	SC FC	USG CDE	TOTAL QTY
		PARENT													
		RW5530 SPIRIT FX16 CONSOLE((230V	MFG		.0000		002				1.000	EA			1.000
		COMPONENT													
...4	000	BS2085R 74HC373 SM	OCT D		LTCH 3ST (Continued)										
...4	000	BS2544R-S08 MC14053BD SM TP 2CH MUX/D IC13,27	PUR		35.0000 000	MC14053BD	000				2.	EA 00	C		2.000
...4	000	BS7001R-S08 TL072CD SM DUAL OP AMP IC11,12,16,17	PUR		100.0000 000	TL072CD	000				4.	EA 00	C		4.000
...4	000	BS7009R-S08 NE5532 SM DUAL OP AMP IC20,21	PUR		80.0000 000	NE5532SM	000				2.	EA 00	C		2.000
...4	000	BS9026M-PLCC84 LEXICON LEXICHIP ASIC IC1	PUR		80.0000 000	LEX12	000				1.	EA 00	C		1.000
...4	000	BS9214R-S028 PCM3001 18BIT ST CODER SO IC10	PUR		80.0000 000	PCM3001E/T2	000				1.	EA 00	C		1.000
...4	000	BS9414R-S0J40 TC514260BJ 256KX16 DRAM IC2	PUR		40.0000 000	HY514260BJC-60	000				1.	EA 00	C		1.000
...4	000	BS9415R-S08 93C46 1KBITS EPROM IC5	PUR		40.0000 000	M93C46-MN6T	000				1.	EA 00	C		1.000
...4	000	CS1101R-0805K CAP CRMC 100PF 10% 100V C62,63,67,68,73,76	PUR		60.0000 000	CAP0805X101K	000				6.	EA 00	C		6.000
...4	000	CS1120R-0805J CAP CRMC 12PF 5% 50V C3,4	PUR		55.0000 000		000				2.	EA 00	C		2.000

DATE 2/02/98  
 TIME 16:18:45  
 REPORT DE-500

SOUNDCRAFT

REQUESTOR COLIN LEE

BILL OF MATERIAL - INDENTED EXPLOSION  
 EFFECTIVITY DATE: 2/02/98

LEVELS	SEQ	PART NUMBER/ DESCRIPTION	PART TYPE	FLT DAYS / CMP OFFSET	DRAWING NUMBER	ENG --- REV I/O	EFFECTIVITY --- DATE ECO	BATCH QTY/ QTY PEUM FC	SC USG CDE	TOTAL QTY
		PARENT								
		RW5530 SPIRIT FX16 CONSOLE((230V	MFG	.0000		002		1.000 EA		1.000
		COMPONENT								
...	4	000 CS1332R-0805J CAP CRMC 3N3 5% 16V NPO C29,32,37,39	PUR	80.0000 000		000		4. EA 00 C		4.000
...	4	000 CS1681R-0805K CAP CRMC 680PF 10% 100V C22,23,30,33	PUR	60.0000 000	CAP0805X681K	000		4. EA 00 C		4.000
...	4	000 CS3106R-CASBK TANT CAP 10UF 10V CASE B C9,21,41,42	PUR	100.0000 000	TAJB106K010R	000		4. EA 00 C		4.000
...	4	000 CS4108R-CASBK SM TANT CAP 4U7 16V CASE C19,20	PUR	80.0000 000		000		2. EA 00 C		2.000
...	4	000 CS5228R-CASBK SM TANT CAP 2U2 25V CASE C31,34,36,38	PUR	80.0000 000		000		4. EA 00 C		4.000
...	4	000 CS7104R-0805K CAP CRMC 100NF 10% 50V X7 C1,2,5,6,7,8,11,12,13,14,15,16,17,18,24,25,26,27,28,35,40 66,71,72,83,84,85,86,88,89	PUR	80.0000 000		000		30. EA 00 C		30.000
...	4	000 HS1001R-1812K 10UH 300MA SM INDUCTOR L1	PUR	60.0000 000	106-850	000		1. EA 00 C		1.000
...	4	000 SC3899-01 SPIRIT FX16 LEXICON+PSU P	PUR	30.0000 000	SC3899 /01	000		1. EA 00 C		1.000
..	3	000 RA3899RAI SPIRIT FX16 LEXICON+PSU R	B/T	.0000 005	SC3899/1	000		1. EA 00 C		1.000
...	4	REF AA ***PROCESS SHEET ISSUE*** ISSUE 11.111 - 6.11.97 PV	REF	.0000 000		000		1. EA 00 C		1.000

DATE 2/02/98  
 TIME 16:18:45  
 REPORT DE-500

SOUNDCRAFT

REQUESTOR COLIN LEE  
 PAGE 10  
 PLANT MFG

BILL OF MATERIAL - INDENTED EXPLOSION  
 EFFECTIVITY DATE: 2/02/98

LEVELS	SEQ	PART NUMBER/ DESCRIPTION	PART TYPE	FLT CMP	DAYS / OFFSET	DRAWING NUMBER	ENG REV	--- I/O	EFFECTIVITY DATE	--- ECO	BATCH QTY	QTY/ PEUM	SC FC	USG CDE	TOTAL QTY
		PARENT													
		RW5530 SPIRIT FX16 CONSOLE((230V COMPONENT	MFG		.0000							1.000	EA		1.000
...	4	000 CC0244 MICRO-BOX 5MM 5% 63V 10N C52	PUR		20.0000 000	BF014D0103JDC						1.	EA	00 C	1.000
...	4	000 CC0248 MICRO-BOX 5MM 5% 63V 47N C69,70	PUR		20.0000 000	BF014D0473JDC						2.	EA	00 C	2.000
...	4	000 CC0252 POLY-CAP 5MM 5% 63V 100N C47,49	PUR		.0000 000	BF014D0104JDC						2.	EA	00 C	2.000
...	4	000 CE0401 VERT ELEC 0.2" TPD 47MF 2 C48,50,60	PUR		20.0000 000	SKP						3.	EA	00 C	3.000
...	4	000 CE0402 VERT ELEC 0.2" 47UF 63V C53,54	PUR		20.0000 000	SKP						2.	EA	00 C	2.000
...	4	000 CE0416 VERT ELEC 0.2"TPD 2.2MF 5 C64,74,75,	PUR		20.0000 000	SSP						3.	EA	00 C	3.000
...	3	000 RV3781 SPIRIT FX16 MONITOR PHONE RED - TIP GRN - SLU BLK - RING	MFG		.0000 005							1.	EA	00 C	1.000
...	4	000 CA0009 C/C 0.2" TAPED 100V 680PF( C C87,88	PUR		20.0000 000	ED22B461K968						2.	EA	00 C	2.000
...	4	000 CA0018 M/LAYER CRMC CAP 50V 10Q C89	PUR		80.0000 000	MR05X7R100N50V						1.	EA	00 C	1.000

DATE 2/02/98  
 TIME 16:18:45  
 REPORT DE-500

SOUNDCRAFT

REQUESTOR COLIN LEE

BILL OF MATERIAL - INDENTED EXPLOSION  
 EFFECTIVITY DATE: 2/02/98

LEVELS	SEQ	PART NUMBER/ DESCRIPTION	PART TYPE	FLT CMP	DAYS / OFFSET	DRAWING NUMBER	ENG REV	--- I/O	EFFECTIVITY DATE	--- ECO	BATCH QTY	QTY/ PEUM	SC FC	USG CDE	TOTAL QTY
		PARENT													
		RW5530 SPIRIT FX16 CONSOLE((230V	MFG		.0000		002				1.000	EA			1.000
		COMPONENT													
...4	000	FH0782 JACK SKT STEREO NYLON BUS	PUR		40.0000	LJ-0696A-3RT	000				1.	EA	00	C	1.000
...4	000	LA0053 7/0.2 TRIPLE TWST BLK/GRN BLACK TIP	PUR		40.0000		000				.27	M	00	C	.270
...4	000	LF0512 H20X20MM HELSYN SLEEVE BL	PUR		30.0000	H20X20BL	000				3.	EA	00	C	3.000
...4	000	NE0410 M3 SOLDER TAG STARRED	PUR		20.0000		000				1.	EA	00	C	1.000
..3	000	RX1120-5.0 SPIRIT LEXICON FX ROM V5.	MFG		1.0000		000	OUT	30/12/99	5235	1.	EA	00	C	1.000
...4	000	ZA0412 LABEL FOR RX1120-5.0	PUR		10.0000		000				1.	EA	00	C	1.000
..3	000	ZC0224 KOOL PAD LM317T/337T SLF- REG1,2,3,4	PUR		40.0000	K177/AC/353	000				4.	EA	00	C	4.000
..3	000	ZE0423 22.5792 MHZ CRYSTAL HC49/ X1	PUR		45.0000	VM6-22.5792 MHZ	000				1.	EA	00	C	1.000
..2	000	RB3898 SPIRIT FX16 RR CON PCB AS	MFG		.0000	SC3898/2	000	OUT	30/12/99	5219	1.	EA	00	C	1.000
..3	REF	AA ***PROCESS SHEET ISSUE*** ISSUE 11111 - 6.11.97 PV	REF		.0000		000				1.	EA	00	C	1.000
..3	000	FF0641 MTHD .1" 2WY VERT LCKNG M CN6	PUR		40.0000	1100-8-102-01	000				1.	EA	00	C	1.000
..3	000	FF0803 14WY VERT SIL HDR-SHORT P OPCN	PUR		40.0000	205-100-014101	000				1.	EA	00	C	1.000
..3	000	FF0809 24WY VERT SIL HDR-SHORT P	PUR		40.0000		000				6.	EA	00	C	6.000



DATE 2/02/98  
 TIME 16:18:45  
 REPORT DE-500

SOUNDCRAFT

PAGE 12  
 PLANT MFG

REQUESTOR COLIN LEE

BILL OF MATERIAL - INDENTED EXPLOSION  
 EFFECTIVITY DATE: 2/02/98

LEVELS	SEQ	PART NUMBER/ DESCRIPTION	PART TYPE	FLT CMP	DAYS OFFSET	DRAWING NUMBER	ENG REV	--- I/O	EFFECTIVITY DATE	--- ECO	BATCH QTY	QTY/ PEUM	SC FC	USG CDE	TOTAL QTY
		PARENT													
		RW5530 SPIRIT FX16 CONSOLE((230V	MFG		.0000							1.000	EA		1.000
		COMPONENT													
..3	000	FF0809 24WY VERT SIL HDR-SHORT P (Continued) CNAD, CNEH, CNIL, CNMP, DICN, RTCN													
..3	000	FH0768 DUAL PC PHONO VERT 24MM C TRET	PUR		80.0000	FW6190						1.000	EA 00	C	1.000
..3	000	FH0773 JCK SKT STEREO	PUR		60.0000	NYS234/3						41.000	EA 00	C	41.000
		AUX1,2,3,SUBL,R,CRML,R,DIR1,2,3,4,5,6,7,8,9,10,11,12,13 14,15,16,MNO,LINA,B,C,D,E,F,G,H,I,J,K,L,M,N,O,P,FTSW													
..3	000	FH0774 JACK SKT STEREO BREAK SINL,R,MINL,R,RT1L,R,RT2L,R,RT3L,R,RT4L,R,INSA,B,C,D,E,F, G,H,I,J,K,L,M,N,O,P	PUR		60.0000	NYS234/5						28.000	EA 00	C	28.000
..3	000	FK0967 XLR CON FML VERT MICA,B,C,D,E,F,G,H,I,J,K,L,M,N,O,P	PUR		60.0000	NC3FAV-0						16.000	EA 00	C	16.000
..3	000	FK0970 XLR A-SRS PLASTIC ML PIN1 MIXL,R	PUR		60.0000	NC3MAV						2.000	EA 00	C	2.000
..3	000	RB3898A-SM SPIRIT FX16 RR CON SM PCB	MFG		.0000	SC3898/2						1.000	EA 00	C	1.000
...4	REF	AA ***PROCESS SHEET ISSUE*** ISSUE 11111 - 3.10.97 PV	REF		.0000							1.000	EA 00	C	1.000
...4	000	AS0104R-0805J SM0805 RES 100K 5% 0.1W T RA,B,C,D,E,F,G,H,I,J,K,L,M,N,O,P 4,6	PUR		80.0000							32.000	EA 00	C	32.000
...4	000	AS0222R-0805J SM0805 RES 2K2 5% 0.1W T2	PUR		80.0000							16.000	EA 00	C	16.000

DATE 2/02/98  
 TIME 16:18:45  
 REPORT DE-500

SOUNDCRAFT

REQUESTOR COLIN LEE

BILL OF MATERIAL - INDENTED EXPLOSION  
 EFFECTIVITY DATE: 2/02/98

LEVELS	SEQ	PART NUMBER/ DESCRIPTION	PART TYPE	FLT DAYS / CMP OFFSET	DRAWING NUMBER	ENG --- REV I/O	EFFECTIVITY --- DATE ECO	BATCH QTY/ QTY PEUM	SC USG FC CDE	TOTAL QTY
		PARENT								
		RW5530 SPIRIT FX16 CONSOLE((230V COMPONENT	MFG	.0000		002		1.000 EA		1.000
...4	000	AS0222R-0805J SM0805 RES 2K2 5% 0.1W T2 (Continued) RA,B,C,D,E,F,G,H,I,J,K,L,M,N,O,P 15								
...4	000	AS0473R-0805J SM0805 RES 47K 5% 0.1W T2 RA,B,C,D,E,F,G,H,I,J,K,L,M,N,O,P 7,8	PUR	80.0000 000		000		32. EA 00 C		32.000
...4	000	AS0682R-0805J SM0805 RES 6K8 5% 0.1W T2 RA,B,C,D,E,F,G,H,I,J,K,L,M,N,O,P 1,2	PUR	80.0000 000		000		32. EA 00 C		32.000
...4	000	AS0750R-0805J SM0805 RES 75R 5% 0.1W T2 R1,2,3,4,5,6,7,8,9,10,11,12,13,14,15,16,17,18,19,21,22,23 24,25,26,27	PUR	80.0000 000		000		26. EA 00 C		26.000
...4	000	AS0822R-0805J SM0805 RES 8K2 5% 0.1W T2 RA,B,C,D,E,F,G,H,I,J,K,L,M,N,O,P 3,5	PUR	80.0000 000		000		32. EA 00 C		32.000
...4	000	CS1681R-0805K CAP CRMC 680PF 10% 100V CA,B,C,D,E,F,G,H,I,J,K,L,M,N,O,P 1,2,3,4,5	PUR	60.0000 000	CAP0805X681K	000		80. EA 00 C		80.000
...4	000	SC3898-02 SPIRIT FX16 RR CON PCB	PUR	20.0000 000	SC3898 /02	000		1. EA 00 C		1.000
..3	000	RB3898RAI SPIRIT FX16 RR CON PCB RA	B/T	.0000 000	SC3898/2	000		1. EA 00 C		1.000
...4	000	CE0416 VERT ELEC 0.2"TPD 2.2MF 5 CA,B,C,D,E,F,G,H,I,J,K,L,M,N,O,P 9,10	PUR	20.0000 000	SSP	000		32. EA 00 C		32.000
...4	000	CE0474 VERT ELEC TPD 10UF/50V(SS	PUR	80.0000 000	SSP 10UF/50V	000		32. EA 00 C		32.000

DATE 2/02/98  
 TIME 16:18:45  
 REPORT DE-500

SOUNDCRAFT

REQUESTOR COLIN LEE

BILL OF MATERIAL - INDENTED EXPLOSION  
 EFFECTIVITY DATE: 2/02/98

LEVELS	SEQ	PART NUMBER/ DESCRIPTION	PART TYPE	FLT CMP	DAYS OFFSET	DRAWING NUMBER	ENG REV	--- I/O	EFFECTIVITY DATE	--- ECO	BATCH QTY	QTY/ PEUM	SC FC	USG CDE	TOTAL QTY
		PARENT													
		RW5530 SPIRIT FX16 CONSOLE((230V	MFG		.0000		002				1.000	EA			1.000
		COMPONENT													
...4	000	CE0474 VERT ELEC TPD 10UF/50V(SS (Continued) CA,B,C,D,E,F,G,H,I,J,K,L,M,N,O,P 7,8													
.2	000	RD3897 SPIRIT FX16 MAIN PCB ASSY	MFG		.0000	SC3897/4	001				1.	EA 00	C		1.000
..3	REF	AA ***PROCESS SHEET ISSUE*** ISSUE 11111 - 5.12.97 PV CN5209.5208	REF		.0000		000				1.	EA 00	C		1.000
..3	000	DD0440 ALPS 100MM 10KD PC MNT FD SFDL,SFDR,MFDL,MFDR, FDRA,B,C,D,E,F,G,H,I,J,K,L,M,N,O,P	PUR	99.0000		RSAON115	000	OUT	30/12/99	5208	20.	EA 00	C		20.000
..3	000	DF0660 ALPS SWITCH L/TRAVEL VERT SW1,2,3,4,5,6,7,8,9,10,11,12,13,14,15,16,17,18,19,20,21 SA,B,C,D,E,F,G,H,I,J,K,L,M,N,O,P, 1,2,3,4,5,6,7	PUR	60.0000		SPPH41001A	000				133.	EA 00	C		133.000
..3	000	DF0662 ALPS SWT L/TRAVEL VERT MO PSW1,2	PUR	60.0000		SPPH41004A	000				2.	EA 00	C		2.000
..3	000	DH0722 ROTARY ENCODER 16POS 2.5M ENC1	PUR	90.0000		20F-1-4-16PC	000				1.	EA 00	C		1.000
..3	000	DH0723 ROTARY ENCODER 36POS 2.5M ENC2,	PUR	90.0000		20F-1-2-36PC	000				1.	EA 00	C		1.000
..3	000	DM1235 PAN 12MM 10KRD/B DUAL VA,B,C,D,E,F,G,H,I,J,K,L,M,N,O,P 1	PUR	80.0000		EVJ5Y0F02750	000				16.	EA 00	C		16.000
..3	000	DM1238 PAN 12MM 10KA/10KC C/D DU	PUR	60.0000		EVJ1Y1F02651	000	OUT	1/03/98	5209	16.	EA 00	C		16.000

DATE 2/02/98  
 TIME 16:18:45  
 REPORT DE-500

SOUNDCRAFT

REQUESTOR COLIN LEE

BILL OF MATERIAL - INDENTED EXPLOSION  
 EFFECTIVITY DATE: 2/02/98

LEVELS	SEQ	PART NUMBER/ DESCRIPTION	PART TYPE	FLT CMP	DAYS / OFFSET	DRAWING NUMBER	ENG REV	--- I/O	EFFECTIVITY DATE	--- ECO	BATCH QTY	QTY/ PEUM	SC FC	USG CDE	TOTAL QTY
		PARENT													
		RW5530 SPIRIT FX16 CONSOLE((230V COMPONENT	MFG		.0000		002				1.000	EA			1.000
..3	000	DM1238 PAN 12MM 10KA/10KC C/D DU (Continued) VA,B,C,D,E,F,G,H,I,J,K,L,M,N,O,P 10													
..3	000	DM1240 PAN 12MM 10KU DUAL VR11,12,13,14,16,17	PUR		80.0000	EVJYY0F02U14	000	OUT	1/03/98	5209	6.	EA	00	C	6.000
..3	000	DM1246 PAN 12MM 20KU DUAL BUSHED VR6,15	PUR		80.0000	EVJYY0F02U24	000	OUT	1/03/98	5209	2.	EA	00	C	2.000
..3	000	DM1250 ALPS 9MM VRT SHRT-D 20KB VA,B,C,D,E,F,G,H,I,J,K,L,M,N,O,P 2,4,5	PUR		60.0000	RK09K11300ZYA	000				48.	EA	00	C	48.000
..3	000	DM1251 ALPS 9MM VRT SHRT-D 20KK VA,B,C,D,E,F,G,H,I,J,K,L,M,N,O,P 6,7,8,9 VR1,2,3,4,5,7,8,9,10	PUR		60.0000	RK09K1130BZXA	000				72.	EA	00	C	72.000
..3	000	DM1323 ALPS 11MM VERT 200KCX2 HI VA,B,C,D,E,F,G,H,I,J,K,L,M,N,O,P 3	PUR		60.0000		000				16.	EA	00	C	16.000
..3	000	FA0068 T&B CON IDC 16WY LW PRF V LXCN2	PUR		40.0000	008380016000042	000				1.	EA	00	C	1.000
..3	000	FA0096 T&B IDC 26WY VERT ML BOX LXCN1	PUR		40.0000	008380026000042	000				1.	EA	00	C	1.000
..3	000	FF0803 14WY VERT SIL HDR-SHORT P DPCN	PUR		40.0000	205-100-014101	000				1.	EA	00	C	1.000
..3	000	FF0809 24WY VERT SIL HDR-SHORT P	PUR		40.0000		000				6.	EA	00	C	6.000

DATE 2/02/98  
 TIME 16:18:45  
 REPORT DE-500

SOUNDCRAFT

REQUESTOR COLIN LEE

BILL OF MATERIAL - INDENTED EXPLOSION  
 EFFECTIVITY DATE: 2/02/98

LEVELS	SEQ	PART NUMBER/ DESCRIPTION	PART TYPE	FLT CMP	DAYS OFFSET	DRAWING NUMBER	ENG REV	--- I/O	EFFECTIVITY DATE	--- ECO	BATCH QTY	QTY/ PEUM	SC FC	USG CDE	TOTAL QTY
		PARENT													
		RW5530 SPIRIT FX16 CONSOLE((230V	MFG		.0000							1.000 EA			1.000
		COMPONENT													
..3	000	FF0809 24WY VERT SIL HDR-SHORT P (Continued) DICN, IPCN1, IPCN2, IPCN3, IPCN4, RTCN													
..3	000	JA0109 LED RED 3MM S/B"17.5"-MD6	PUR		60.0000	BLB4541T						36. EA	00 C		36.000
		LD1,2,11,12,21, LDA, B, C, D, E, F, G, H, I, J, K, L, M, N, O, P LED1,2,3,4,5,6,7,8,9,10,11,12,13,14,15													
..3	000	JA0110 LED GREEN 3MM S/B"17.5"-M	PUR		60.0000	BLB2141T BINP+Q						12. EA	00 C		12.000
		LD6,7,8,9,10,16,17,18,19,20,23, US LED													
..3	000	JA0129 LED AMBER 3MM S/B 17.5 MD	PUR		40.0000	BLB3141T-O.AT						8. EA	00 C		8.000
		LD3,4,5,13,14,15,22,24													
..3	000	NA0428 M3X6 PAN POZI STAINLESS+W	PUR		70.0000							27. EA	00 C		27.000
		PL1,2,3,4,5,7,8,9,10,11,12,13,14,15,17,18,19,20,22,23,24, 25,26,27,28,29,31													
..3	000	ND0433 PILLAR M3F/M2 5FX14.80MM	PUR		30.0000							27. EA	00 C		27.000
		PL1,2,3,4,5,7,8,9,10,11,12,13,14,15,17,18,19,20,22,23,24, 25,26,27,28,29,31													
..3	000	RD3897A-SM SPIRIT FX16 MAIN PCB SM A	MFG		.0000	SC3897/4						1. EA	00 C		1.000
...4	REF	AA ***PROCESS SHEET ISSUE*** ISSUE 00001 - 3.10.97 JH	REF		.0000							1. EA	00 C		1.000
...4	000	AS0100R-0805F SM0805 RES 10R 1% 0.1W T2 R250	PUR		80.0000							1. EA	00 C		1.000

DATE 2/02/98  
 TIME 16:18:45  
 REPORT DE-500

SOUNDCRAFT

REQUESTOR COLIN LEE

BILL OF MATERIAL - INDENTED EXPLOSION  
 EFFECTIVITY DATE: 2/02/98

LEVELS	SEQ	PART NUMBER/ DESCRIPTION	PART TYPE	FLT CMP	DAYS / OFFSET	DRAWING NUMBER	ENG REV	--- I/O	EFFECTIVITY DATE	--- ECO	BATCH QTY	QTY/ PEUM	SC FC	USG CDE	TOTAL QTY
		PARENT													
		RW5530 SPIRIT FX16 CONSOLE((230V	MFG		.0000		002				1.000	EA			1.000
		COMPONENT													
...4	000	AS0102R-0805J SM0805 RES 1K 5% 0.1W T20 RA,B,C,D,E,F,G,H,I,J,K,L,M,N,O,P 20, R153,173,226	PUR		80.0000		000				19.	EA	00	C	19.000
...4	000	AS0103R-0805J SM0805 RES 10K 5% 0.1W T2 RA,B,C,D,E,F,G,H,I,J,K,L,M,N,O,P 40,56,57,58,59, R4,16,28,34,46,58,154,157,158,174,177,178,235	PUR		80.0000		000				93.	EA	00	C	93.000
...4	000	AS0104R-0805J SM0805 RES 100K 5% 0.1W T RA,B,C,D,E,F,G,H,I,J,K,L,M,N,O,P 23,34,35,38, R7,19,37,49,68,78,88,98,192,193,212,213,217,236,237,240	PUR		80.0000		000				80.	EA	00	C	80.000
...4	000	AS0123R-0805J SM0805 RES 12K 5% 0.1W T2 RA,B,C,D,E,F,G,H,I,J,K,L,M,N,P 52,53,54,55, R61,62,71,72,81,82,91,92,101,102,103,104,107,108,109,110,121,122,123,124,127,128,129,130,141,142,143,144,147,148,149,150,161,162,163,164,167,168,169,170,188,208,234,239,241,242,244,245	PUR		80.0000		000				112.	EA	00	C	112.000
...4	000	AS0132R-0805J SM0805 RES 1K3 5% 0.1W T2 R225	PUR		80.0000		000				1.	EA	00	C	1.000
...4	000	AS0133R-0805J SM0805 RES 13K 5% 0.1W T2 R219	PUR		80.0000		000				1.	EA	00	C	1.000
...4	000	AS0152R-0805J SM0805 RES 1K5 5% 0.1W T2 RA,B,C,D,E,F,G,H,I,J,K,L,M,N,O,P 19	PUR		80.0000		000				16.	EA	00	C	16.000
...4	000	AS0160R-0805J SM0805 RES 16R 5% 0.1W T2 RA,B,C,D,E,F,G,H,I,J,K,L,M,N,O,P 16	PUR		80.0000		000				16.	EA	00	C	16.000

DATE 2/02/98  
 TIME 16:18:45  
 REPORT DE-500

SOUNDCRAFT

REQUESTOR COLIN LEE

BILL OF MATERIAL - INDENTED EXPLOSION  
 EFFECTIVITY DATE: 2/02/98

LEVELS	SEQ	PART NUMBER/ DESCRIPTION	PART TYPE	FLT CMP	DAYS / OFFSET	DRAWING NUMBER	ENG REV	--- I/O	EFFECTIVITY DATE	--- ECO	BATCH QTY	QTY/ PEUM	SC FC	USG CDE	TOTAL QTY
		PARENT													
		RW5530 SPIRIT FX16 CONSOLE((230V	MFG		.0000		002				1.000	EA			1.000
		COMPONENT													
...	4	000 AS0162R-0805J SM0805 RES 1K6 5% 0.1W T2 R224	PUR		80.0000 000		000				1.	EA 00		C	1.000
...	4	000 AS0163R-0805J SM0805 RES 16K 5% 0.1W T2 R25,27,55,57,155,156,175,176	PUR		80.0000 000		000				8.	EA 00		C	8.000
...	4	000 AS0182R-0805J SM0805 RES 1K8 5% 0.1W T2 R227	PUR		80.0000 000		000				1.	EA 00		C	1.000
...	4	000 AS0183R-0805J SM0805 RES 5% 0.1W 18K T2 RA,B,C,D,E,F,G,H,I,J,K,L,M,N,O,P	PUR		80.0000 000		000				16.	EA 00		C	16.000
...	4	000 AS0222R-0805J SM0805 RES 2K2 5% 0.1W T2 R9,21,39,51,194,214,228,230	PUR		80.0000 000		000				8.	EA 00		C	8.000
...	4	000 AS0223R-0805J SM0805 RES 22K 5% 0.1W T2 RA,B,C,D,E,F,G,H,I,J,K,L,M,N,O,P	PUR		80.0000 000		000				67.	EA 00		C	67.000
...	4	000 AS0224R-0805J SM0805 RES 220K 5% 0.1W T RA,B,C,D,E,F,G,H,I,J,K,L,M,N,O,P	PUR		80.0000 000		000				16.	EA 00		C	16.000
...	4	000 AS0242R-0805J SM0805 RES 2K4 5% 0.1W T2 RA,B,C,D,E,F,G,H,I,J,K,L,M,N,O,P	PUR		80.0000 000		000				33.	EA 00		C	33.000
...	4	000 AS0243R-0805J SM0805 RES 24K 5% 0.1W T2 RA,B,C,D,E,F,G,H,I,J,K,L,M,N,O,P	PUR		80.0000 000		000				16.	EA 00		C	16.000
...	4	000 AS0332R-0805J SM0805 RES 3K3 5% 0.1W T2	PUR		80.0000 000		000				51.	EA 00		C	51.000

DATE 2/02/98  
 TIME 16:18:45  
 REPORT DE-500

SOUNDCRAFT

REQUESTOR COLIN LEE

BILL OF MATERIAL - INDENTED EXPLOSION  
 EFFECTIVITY DATE: 2/02/98

LEVELS	SEQ	PART NUMBER/ DESCRIPTION	PART TYPE	FLT CMP	DAYS OFFSET	DRAWING NUMBER	ENG REV	--- I/O	EFFECTIVITY DATE	--- ECO	BATCH QTY	QTY/ PEUM	SC FC	USG CDE	TOTAL QTY
		PARENT													
		RW5530 SPIRIT FX16 CONSOLE((230V	MFG		.0000		002				1.000	EA			1.000
		COMPONENT													
...4	000	AS0332R-0805J SM0805 RES 3K3 5% 0.1W T2 (Continued) RA,B,C,D,E,F,G,H,I,J,K,L,M,N,O,P 29,30,45, R222,196,197													
...4	000	AS0333R-0805J SM0805 RES 33K 5% 0.1W T2 RA,B,C,D,E,F,G,H,I,J,K,L,M,N,O,P 33	PUR		80.0000 000		000				16.	EA	00	C	16.000
...4	000	AS0362R-0805J SM0805 RES 3K6 5% 0.1W T2 RA,B,C,D,E,F,G,H,I,J,K,L,M,N,O,P 22, R8,20,38,50	PUR		80.0000 000		000				20.	EA	00	C	20.000
...4	000	AS0363R-0805J SM0805 RES 36K 5% 0.1W T2 R67,77,87,97,218	PUR		80.0000 000		000				5.	EA	00	C	5.000
...4	000	AS0392R-0805J SM0805 RES 3K9 5% 0.1W T2 R106,112,126,132,146,152,166,172	PUR		80.0000 000		000				8.	EA	00	C	8.000
...4	000	AS0432R-0805J SM0805 RES 4K3 5% 0.1W T2 R2,3,14,15,32,33,44,45	PUR		80.0000 000		000				8.	EA	00	C	8.000
...4	000	AS0472R-0805J SM0805 RES 4K7 5% 0.1W T2 RA,B,C,D,E,F,G,H,I,J,K,L,M,N,O,P 39, R221	PUR		80.0000 000		000				17.	EA	00	C	17.000
...4	000	AS0473R-0805J SM0805 RES 47K 5% 0.1W T2 R1,5,10,13,17,22,31,35,40,43,47,52,64,74,84,94,189,195, 209,246	PUR		80.0000 000		000				20.	EA	00	C	20.000
...4	000	AS0513R-0805J SM0805 RES 51K 5% 0.1W T2 RA,B,C,D,E,F,G,H,I,J,K,L,M,N,O,P 31,36,48	PUR		80.0000 000		000				48.	EA	00	C	48.000
...4	000	AS0621R-0805F SM0805 RES 620R 1% 0.1W T	PUR		80.0000 000		000				2.	EA	00	C	2.000



DATE 2/02/98  
 TIME 16:18:45  
 REPORT DE-500

SOUNDCRAFT

REQUESTOR COLIN LEE

BILL OF MATERIAL - INDENTED EXPLOSION  
 EFFECTIVITY DATE: 2/02/98

LEVELS	SEQ	PART NUMBER/ DESCRIPTION	PART TYPE	FLT CMP	DAYS / OFFSET	DRAWING NUMBER	ENG REV	--- I/O	EFFECTIVITY DATE	--- ECO	BATCH QTY	QTY/ PEUM	SC FC	USG CDE	TOTAL QTY
		PARENT													
		RW5530 SPIRIT FX16 CONSOLE((230V	MFG		.0000		002				1.000	EA			1.000
		COMPONENT													
...	4	000 AS0621R-0805F SM0805 RES 620R 1% 0.1W T (Continued) R251,252													
...	4	000 AS0622R-0805F SM0805 RES 6K2 1% 0.1W T2 R187,207	PUR		80.0000 000		000				2.	EA 00	C		2.000
...	4	000 AS0623R-0805F SM0805 RES 62K 1% 0.1W R63,73,83,93	PUR		80.0000 000		000				4.	EA 00	C		4.000
...	4	000 AS0681R-0805J SM0805 RES 680R 5% 0.1W T RA,B,C,D,E,F,G,H,I,J,K,L,M,N,O,P 11,12,13,14	PUR		80.0000 000		000	OUT	30/12/99	5216	64.	EA 00	C		64.000
...	4	000 AS0682R-0805J SM0805 RES 6K8 5% 0.1W T2 RA,B,C,D,E,F,G,H,I,J,K,L,M,N,O,P 37,46,49, R105,111,125 131,145,151,165,171,220	PUR		80.0000 000		000				57.	EA 00	C		57.000
...	4	000 AS0684R-0805J SM0805 RES 680K 5% 0.1W T RA,B,C,D,E,F,G,H,I,J,K,L,M,N,O,P 44,47,51	PUR		80.0000 000		000				48.	EA 00	C		48.000
...	4	000 AS0750R-0805J SM0805 RES 75R 5% 0.1W T2 RA,B,C,D,E,F,G,H,I,J,K,L,M,N,O,P 24,41, R6,11,18,23,36,41 48,53,65,75,85,95,190,210,247	PUR		80.0000 000		000				47.	EA 00	C		47.000
...	4	000 AS0822R-0805J SM0805 RES 8K2 5% 0.1W T2 RA,B,C,D,E,F,G,H,I,J,K,L,M,N,O,P 27,28, R243	PUR		80.0000 000		000				33.	EA 00	C		33.000
...	4	000 BS0001R-SOT23 DIODE SURFACE MOUNT BAS16 DA,B,C,D,E,F,G,H,I,J,K,L,M,N,O,P 1,2,3,4,5,6,7,8,9, D1,2 3,4,5	PUR		120.0000 000	BAS16	000				149.	EA 00	C		149.000

DATE 2/02/98  
 TIME 16:18:45  
 REPORT DE-500

SOUNDCRAFT

REQUESTOR COLIN LEE

BILL OF MATERIAL - INDENTED EXPLOSION  
 EFFECTIVITY DATE: 2/02/98

LEVELS	SEQ	PART NUMBER/ DESCRIPTION	PART TYPE	FLT DAYS / CMP OFFSET	DRAWING NUMBER	ENG --- REV I/O	EFFECTIVITY --- DATE ECO	BATCH QTY/ QTY PEUM	SC USG FC CDE	TOTAL QTY
		PARENT								
		RW5530 SPIRIT FX16 CONSOLE((230V COMPONENT	MFG	.0000		002		1.000 EA		1.000
...4	000	BS0501R-SOT23 PNP TRANS BCW70 TR1,2,4,6	PUR	65.0000 000	TBCW70	000		4. EA 00 C		4.000
...4	000	BS0502R-SOT23 NPN TRANS BCW72 QA,B,C,D,E,F,G,H,J,K,L,M,N,O,P TR3,5 3,4,6,7,8	PUR	65.0000 000	TBCW72	000		82. EA 00 C		82.000
...4	000	BS3039R-S024 74HCT154D DECODER IC29	PUR	65.0000 000	PC74HCT154TRL13	000		1. EA 00 C		1.000
...4	000	BS7001R-S08 TL072CD SM DUAL OP AMP ICA,C,E,G,I,K,M,O 1,2,3,4,5 IC2,3,5,6,8,10,11,12,13,14,15,18,19,28	PUR	100.0000 000	TL072CD	000		54. EA 00 C		54.000
...4	000	BS7007R-S014 LM2901 SM QUAD COMARATOR IC22,23,24,25,26	PUR	80.0000 000	LM2901MX	000		5. EA 00 C		5.000
...4	000	BS7009R-S08 NE5532 SM DUAL OP AMP IC1,4,7,9	PUR	80.0000 000	NE5532SM	000		4. EA 00 C		4.000
...4	000	CS1101R-0805K CAP CRMC 100PF 10% 100V CA,B,C,D,E,F,G,H,I,J,K,L,M,N,O,P 32, C2,3,5,8,9,11,22,23 25,28,29,31,42,47,52,57,61,62,64,65,67,68,70,71,73,74,76, 77,79,80,82,83,85,86,94,104,115,116	PUR	60.0000 000	CAP0805X101K	000		54. EA 00 C		54.000
...4	000	CS1220R-0805K CAP CRMC 22PF 10% 50V NPO CA,B,C,D,E,F,G,H,I,J,K,L,M,N,O,P 12,13,30	PUR	80.0000 000	CAP0805X220K	000		48. EA 00 C		48.000
...4	000	CS1330R-0805K CAP CRMC 33PF 10% 100V	PUR	60.0000 000	CAP0805X330K	000		4. EA 00 C		4.000

DATE 2/02/98  
 TIME 16:18:45  
 REPORT DE-500

SOUNDCRAFT

REQUESTOR COLIN LEE

BILL OF MATERIAL - INDENTED EXPLOSION  
 EFFECTIVITY DATE: 2/02/98

LEVELS	SEQ	PART NUMBER/ DESCRIPTION	PART TYPE	FLT CMP	DAYS / OFFSET	DRAWING NUMBER	ENG REV	--- I/O	EFFECTIVITY DATE	--- ECO	BATCH QTY	QTY/ PEUM	SC FC	USG CDE	TOTAL QTY
		PARENT													
		RW5530 SPIRIT FX16 CONSOLE((230V	MFG		.0000		002				1.000	EA			1.000
		COMPONENT													
...	4	000 CS1330R-0805K CAP CRMC 33PF 10% 100V (Continued) C44,49,54,59													
...	4	000 CS1681R-0805K CAP CRMC 680PF 10% 100V CA,B,C,D,E,F,G,H,I,J,K,L,M,N,O,P 19	PUR		60.0000	CAP0805X681K	000				16.	EA	00	C	16.000
...	4	000 SC3897-04 SPIRIT FX16 MAIN PCB	PUR		30.0000	SC3897 /04	000				1.	EA	00	C	1.000
..	3	000 RD3897RAI SPIRIT FX16 MAIN PCB RAD	B/T		.0000	SC3897/4	000				1.	EA	00	C	1.000
...	4	REF AA ***PROCESS SHEET ISSUE*** ISSUE 11111 - 3.10.97 PV	REF		.0000		000				1.	EA	00	C	1.000
...	4	000 AV0001 RES MF 10R 2% 0.25W RADIA R26,56	PUR		80.0000		000				2.	EA	00	C	2.000
...	4	000 AV0002 RES MF 4K7 2% .25W RADIA RA,B,C,D,E,F,G,H,I,J,K,L,M,N,O,P 9,10	PUR		80.0000		000				32.	EA	00	C	32.000
...	4	000 BD0322 FET SWITCH J112 (TAPED) QA,B,C,D,E,F,G,H,I,J,K,L,M,N,O,P 5	PUR		40.0000	MOTOROLA/SILCNX	000				16.	EA	00	C	16.000
...	4	000 BD0346 PNP TRANS 2SB737 LOW RBB QA,B,C,D,E,F,G,H,I,J,K,L,M,N,O,P 1,2	PUR		90.0000	2SB737S TPS	000				32.	EA	00	C	32.000
...	4	000 CC0240 MICRO-BOX 5MM 5% 63V 2N2 CA,B,C,D,E,F,G,H,I,J,K,L,M,N,O,P 24,27,28	PUR		.0000	BF014D0222JDC	000				48.	EA	00	C	48.000

DATE 2/02/98  
 TIME 16:18:45  
 REPORT DE-500

SOUNDCRAFT

REQUESTOR COLIN LEE

BILL OF MATERIAL - INDENTED EXPLOSION  
 EFFECTIVITY DATE: 2/02/98

LEVELS	SEQ	PART NUMBER/ DESCRIPTION	PART TYPE	FLT CMP	DAYS OFFSET	DRAWING NUMBER	ENG REV	EFFECTIVITY I/O DATE	ECO	BATCH QTY	QTY/ PEUM	SC FC	USG CDE	TOTAL QTY
		PARENT												
		RW5530 SPIRIT FX16 CONSOLE((230V	MFG		.0000		002				1.000 EA			1.000
		COMPONENT												
...	4	000 CC0240				MICRO-BOX 5MM 5% 63V 2N2 (Continued)								
...	4	000 CC0242	PUR		20.0000	MICRO-BOX 5MM 5% 63V 4N7 CA,B,C,D,E,F,G,H,I,J,K,L,M,N,O,P 25,38,	000				33. EA 00 C			33.000
...	4	000 CC0244	PUR		20.0000	MICRO-BOX 5MM 5% 63V 10N CA,B,C,D,E,F,G,H,I,J,K,L,M,N,O,P 20,21	000				32. EA 00 C			32.000
...	4	000 CC0247	PUR		20.0000	MICRO-BOX 5MM 5% 63V 33N CA,B,C,D,E,F,G,H,I,J,K,L,M,N,O,P 15,16	000				32. EA 00 C			32.000
...	4	000 CC0248	PUR		20.0000	MICRO-BOX 5MM 5% 63V 47N C100	000				1. EA 00 C			1.000
...	4	000 CC0249	PUR		80.0000	MICRO-BOX 5MM 5% 63V 68N CA,B,C,D,E,F,G,H,I,J,K,L,M,N,O,P 29	000				16. EA 00 C			16.000
...	4	000 CC0252	PUR		.0000	POLY-CAP 5MM 5% 63V 100N CA,B,C,D,E,F,G,H,I,J,K,L,M,N,O,P 36,37 C14,15,16,18,34,35,36,38,109,110	000				42. EA 00 C			42.000
...	4	000 CC0267	PUR		80.0000	MICRO-BOX 5MM 5% 470NF 63 CA,B,C,D,E,F,G,H,I,J,K,L,M,N,O,P 14	000				16. EA 00 C			16.000

DATE 2/02/98  
 TIME 16:18:45  
 REPORT DE-500

SOUNDCRAFT

REQUESTOR COLIN LEE

BILL OF MATERIAL - INDENTED EXPLOSION  
 EFFECTIVITY DATE: 2/02/98

LEVELS	SEQ	PART NUMBER/ DESCRIPTION	PART TYPE	FLT CMP	DAYS / OFFSET	DRAWING NUMBER	ENG REV	--- I/O	EFFECTIVITY DATE	--- ECO	BATCH QTY/ QTY PEUM	SC FC	USG CDE	TOTAL QTY
		PARENT												
		RW5530 SPIRIT FX16 CONSOLE((230V	MFG		.0000		002				1.000 EA			1.000
		COMPONENT												
...4	000	CE0403 VERT ELEC 0.2" TPD 100MF C4,10,24,30	PUR		20.0000 000	SKP	000				4. EA	00 C		4.000
...4	000	CE0416 VERT ELEC 0.2" TPD 2.2MF 5 C96,106, CA,B,C,D,E,F,G,H,I,J,K,L,M,N,O,P	PUR		20.0000 000	SSP	000				34. EA	00 C		34.000
...4	000	CE0448 VERT ELEC SSP 10UF/16V CA,B,C,D,E,F,G,H,I,J,K,L,M,N,O,P	PUR		20.0000 000	SSP	000				16. EA	00 C		16.000
...4	000	CE0455 VERT ELEC 330MF/6.3V 6.3D C1,6,7,12,21,26,27,32,41,45,46,50,51,55,56,60,95,105,117 CA,B,C,D,E,F,G,H,I,J,K,L,M,N,O,P	PUR		20.0000 000	SKP	000				35. EA	00 C		35.000
...4	000	CE0457 VERT ELEC 33UF/16V C43,48,53,58,63,66,69,72,75,78,81,84,87,88, CA,B,C,D,E,F, G,H,I,J,K,L,M,N,O,P	PUR		20.0000 000	SSO	000				110. EA	00 C		110.000
.2	000	RV2433 BVE100 16WY MONITOR LOOM	MFG		.0000 005		000				1. EA	00 C		1.000
..3	000	FA0110 VARELCO IDC 16WY FML CBL	PUR		40.0000 000	008290016000041	000				2. EA	00 C		2.000
..3	000	LC0225 R/CBL GREY 16WY	PUR		10.0000 000	44988G	000				1. FT	00 C		1.000
.2	000	RV3501-26-230 IDC 26WY 230MM RIBBON CBL	MFG		.0000 005	M14791/1	000				1. EA	00 C		1.000
..3	000	FA0084 MLX IDC 26WY FML CBL MNT	PUR		40.0000 000	008290026000041	000				2. EA	00 C		2.000
..3	000	LC0210 CAN 26-WAY R/CBL	PUR		10.0000 000	455-240-26	000				.075 FT	00 C		.075

DATE 2/02/98  
 TIME 16:18:45  
 REPORT DE-500

SOUNDCRAFT

REQUESTOR COLIN LEE

BILL OF MATERIAL - INDENTED EXPLOSION  
 EFFECTIVITY DATE: 2/02/98

LEVELS	SEQ	PART NUMBER/ DESCRIPTION	PART TYPE	FLT CMP	DAYS / OFFSET	DRAWING NUMBER	ENG REV	--- I/O	EFFECTIVITY DATE	--- ECO	BATCH QTY	QTY/ PEUM	SC FC	USG CDE	TOTAL QTY
		PARENT													
		RW5530 SPIRIT FX16 CONSOLE((230V	MFG		.0000		002				1.000	EA			1.000
		COMPONENT													
.2	000	RV3761-14-600 SPIRIT FX16 14WY LOOM	PUR	40.0000	009907018801000	000	IN	20/01/98	5220		1.	EA	00	C	1.000
.2	000	RV3762-24-110 SPIRIT FX16 24WY LOOM	PUR	40.0000	009907019101000	000					4.	EA	00	C	4.000
.2	000	RV3762-24-270 SPIRIT FX16 24WY LOOM	PUR	40.0000	009907019001000	000					1.	EA	00	C	1.000
.2	000	RV3762-24-530 SPIRIT FX16 24WY LOOM	PUR	40.0000	009907018901000	000					1.	EA	00	C	1.000
.2	000	RV3782 SPIRIT FX16 2WY LINK WFM	MFG	.0000		000					1.	EA	00	C	1.000
..3	000	FF0585 MTHD 2WY .1" FML	PUR	40.0000	1300-102-424	000					2.	EA	00	C	2.000
..3	000	LA0003 7/0.2 BROWN WIRE	PUR	10.0000	47029R	000					.2	M	00	C	.200
.2	000	RV3783 SPIRIT FX16 SRC WFM	MFG	.0000		000					1.	EA	00	C	1.000
..3	000	CA0018 M/LAYER CRMC CAP 50V 100N C90,91,92	PUR	80.0000	MR05X7R100N50V	000					3.	EA	00	C	3.000
..3	000	FF0628 MTHD 3WY .1" FML	PUR	40.0000	1300-103-424	000					1.	EA	00	C	1.000
..3	000	FK0964 XLR CON ML NC4MDC-1	PUR	60.0000	NC4MDC-1	000					1.	EA	00	C	1.000
..3	000	LA0001 7/0.2 BLACK WIRE	PUR	80.0000	47027B	000					.28	M	00	C	.280
..3	000	LA0004 7/0.2 GREEN WIRE	PUR	10.0000	47030A	000					.28	M	00	C	.280
..3	000	LA0008 7/0.2 RED WIRE	PUR	10.0000	47034D	000					.28	M	00	C	.280
.2	000	ZZ2541 RICO SCREW ON PLASTIC FE	PUR	20.0000	FF-004	000					4.	EA	00	C	4.000
1	000	TA0442 SPIRIT FX16 CARTON	PUR	30.0000		000					1.	EA	00	C	1.000

DATE 2/02/98  
 TIME 16:18:45  
 REPORT DE-500

SOUNDCRAFT

REQUESTOR COLIN LEE

BILL OF MATERIAL - INDENTED EXPLOSION  
 EFFECTIVITY DATE: 2/02/98

LEVELS	SEQ	PART NUMBER/ DESCRIPTION	PART TYPE	FLT CMP	DAYS / OFFSET	DRAWING NUMBER	ENG --- REV I/O	EFFECTIVITY --- DATE	ECO	BATCH QTY/ QTY PEUM	SC USG FC CDE	TOTAL QTY
		PARENT										
		RW5530	MFG		.0000		002			1.000 EA		1.000
		!SPIRIT FX16 CONSOLE((230V										
		COMPONENT										
1	000	TA0445	PUR		15.0000		000			.25 EA 00 C		.250
		FX16 4 PACK SHIPPER CARTO			000							
1	000	TB0285	PUR		30.0000		000			1. EA 00 C		1.000
		!SPIRIT FX16 END CAP PK6 K			000							
1	000	ZA8014	PUR		20.0000		000			1. EA 00 C		1.000
		!SERIAL NO/FRAGILE LBL SE			000							
1	000	ZM0221	PUR		10.0000		000			1. EA 00 C		1.000
		!SPIRIT FX16 USER GUIDE			000							

END OF REPORT

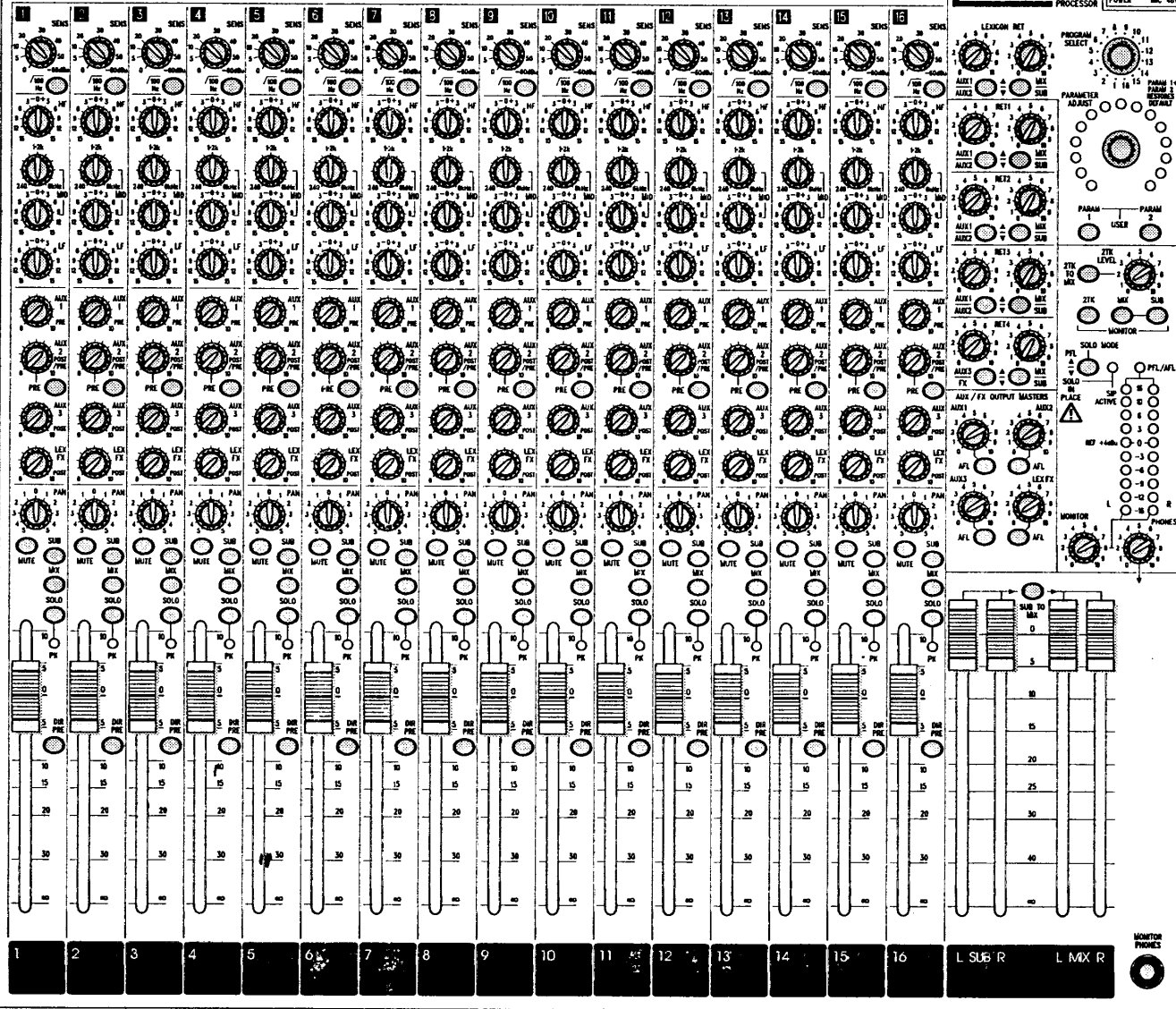
FX16 Console -  
Typical Starting Out  
Control Positions

ULTRA MC

# FX16

FX16

PARAM 1	EFFECT	PARAM 2
1	REVERSE	REVERSE
2	REVERSE	REVERSE
3	REVERSE	REVERSE
4	REVERSE	REVERSE
5	REVERSE	REVERSE
6	REVERSE	REVERSE
7	REVERSE	REVERSE
8	REVERSE	REVERSE
9	REVERSE	REVERSE
10	REVERSE	REVERSE
11	REVERSE	REVERSE
12	REVERSE	REVERSE
13	REVERSE	REVERSE
14	REVERSE	REVERSE
15	REVERSE	REVERSE
16	REVERSE	REVERSE

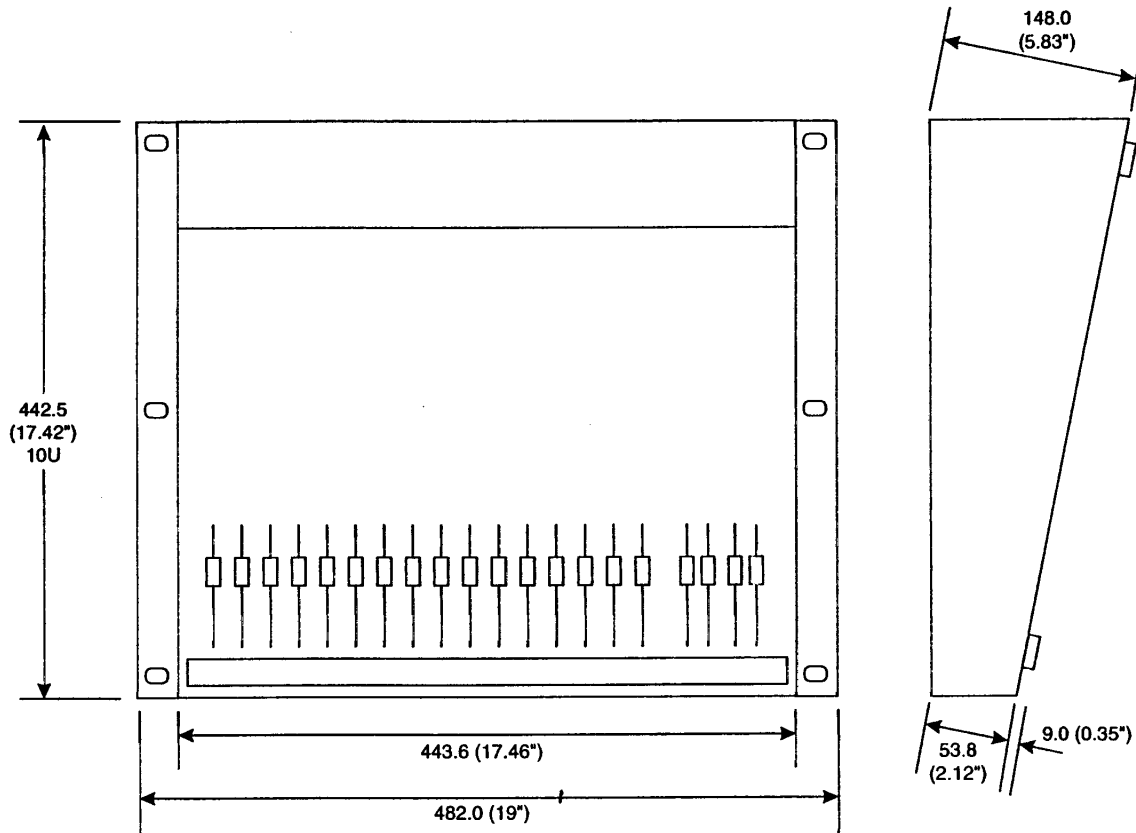


1 2 3 4 5 6 7 8 9 10 11 12 13 14 15 16 L SUB R L MX R

MONITOR PHONES



## Dimensions



## Specifications

### Noise

Measured RMS, 20Hz to 20kHz Bandwidth	-129dBu
Mic E.I.N. @ max gain, 150Ω source impedance	-129dBu
Aux, Mix & masters @ max.,	<-80dBu
16 inputs routed with faders, pots down	<-80dBu

### Crosstalk (@1kHz, typical)

Channel Mute	>96dB
Fader cut-off (rel. 0 mark)	>90dB
Routing Isolation	>90dB
Aux Send pots offness	>84dB

### Frequency Response

Mic/Line Input to any output, 20Hz - 30kHz	<0.5dB
--	--------

### THD + N

Mic sens. -30dBu, +14dBu at all outputs @1kHz	<0.009%
---	---------

### Input & Output Impedance

Mic Input	1.8kΩ
Line Input	10kΩ
Stereo Return Input (Balanced jack)	10kΩ
ZTK Return (Unbalanced RCA Phono)	12kΩ
Mix, Aux, Direct Outputs, and Insert Sends	75Ω

### Input & Output Levels

Mic Input max. level	+22dBu
Line Input max. level	> +30dBu
Stereo Return Input max. level	> +30dBu
Headphones (@ 200Ω)	150mW

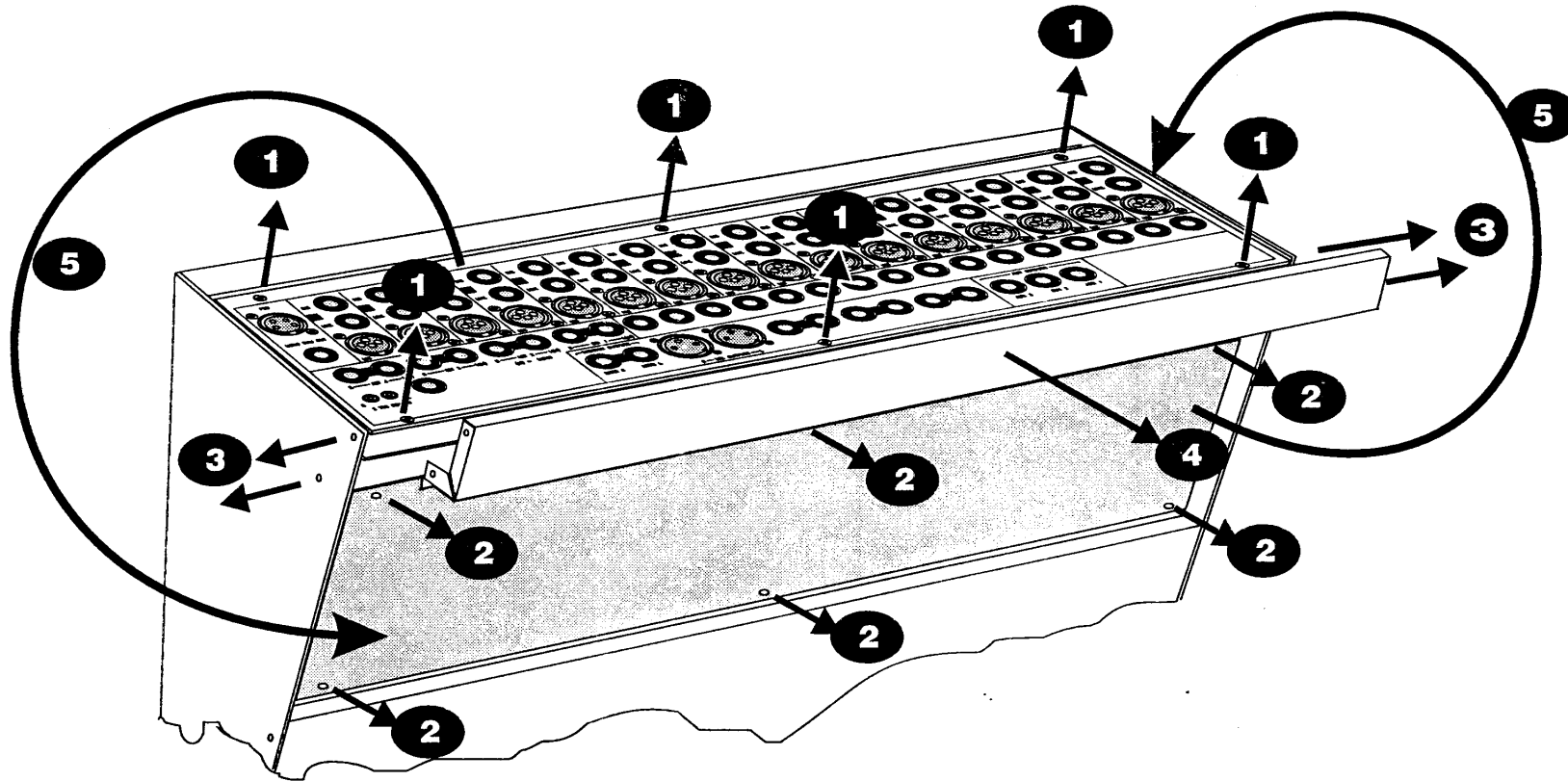
### Weight

Excluding packing	7.22kg (15.91lbs)
Mixer	7.22kg (15.91lbs)
Power Supply	1.08kg (2.38lbs)

## Lexicon Effects Details

Param 1 Control	Minimum	Maximum	Prog.	Description	Param 2 control	Minimum	Maximum
Reverb Decay	0.11mS	283mS	1	Gated Reverb	Timbre	420Hz	19kHz
Reverb Time	0.25S	6.5S	2	Chorus + Reverb	Speed	Off	16 glides
Delay Time	No Delay	977mS	3	Chorus + Delay	Speed	Off	16 glides
Depth	0.34mS	5.8mS	4	Large Chorus	Speed	Off	16 glides
Reverb Time	0.25S	6.5S	5	Plate	Timbre	420Hz	19kHz
Reverb Time	0.25S	6.5S	6	Room	Timbre	420Hz	19kHz
Reverb Time	0.25S	6.5S	7	Chamber	Timbre	420Hz	19kHz
Reverb Time	0.25S	6.5S	8	Hall	Timbre	420Hz	19kHz
Delay Time	No Delay	977mS	9	Delay + Bright Plate	Reverb Time	0.25S	6.5S
Delay Time	No Delay	977mS	10	Delay + Dark Plate	Reverb Time	0.25S	6.5S
Delay Time	No Delay	977mS	11	Echo + Plate	Regen	0%	94%
Delay Time	No Delay	977mS	12	Delay + Bright Room	Reverb Time	0.25S	6.5S
Delay Time	No Delay	977mS	13	Delay + Dark Room	Reverb Time	0.25S	6.5S
Delay Time	No Delay	977mS	14	Echo + Room	Regen	0%	94%
Delay Time	No Delay	977mS	15	Delay + Mono Regen	Regen	0%	94%
Delay Time	No Delay	977mS	16	Delay + Stereo Regen	Regen	0%	94%

## Repositioning the Connector Panel for Rackmounting



- 1 Remove Connector Panel fixing Screws (6).
- 2 Remove Cover Panel fixing screws (6).
- 3 Remove Frame Section fixing screws (4).
- 4 Remove Frame Section.
- 5 Swap Connector Panel and Cover Panel, leaving all cables connected.
- 6 Refit all items in reverse sequence, taking care that no cables are trapped beneath the panels.