

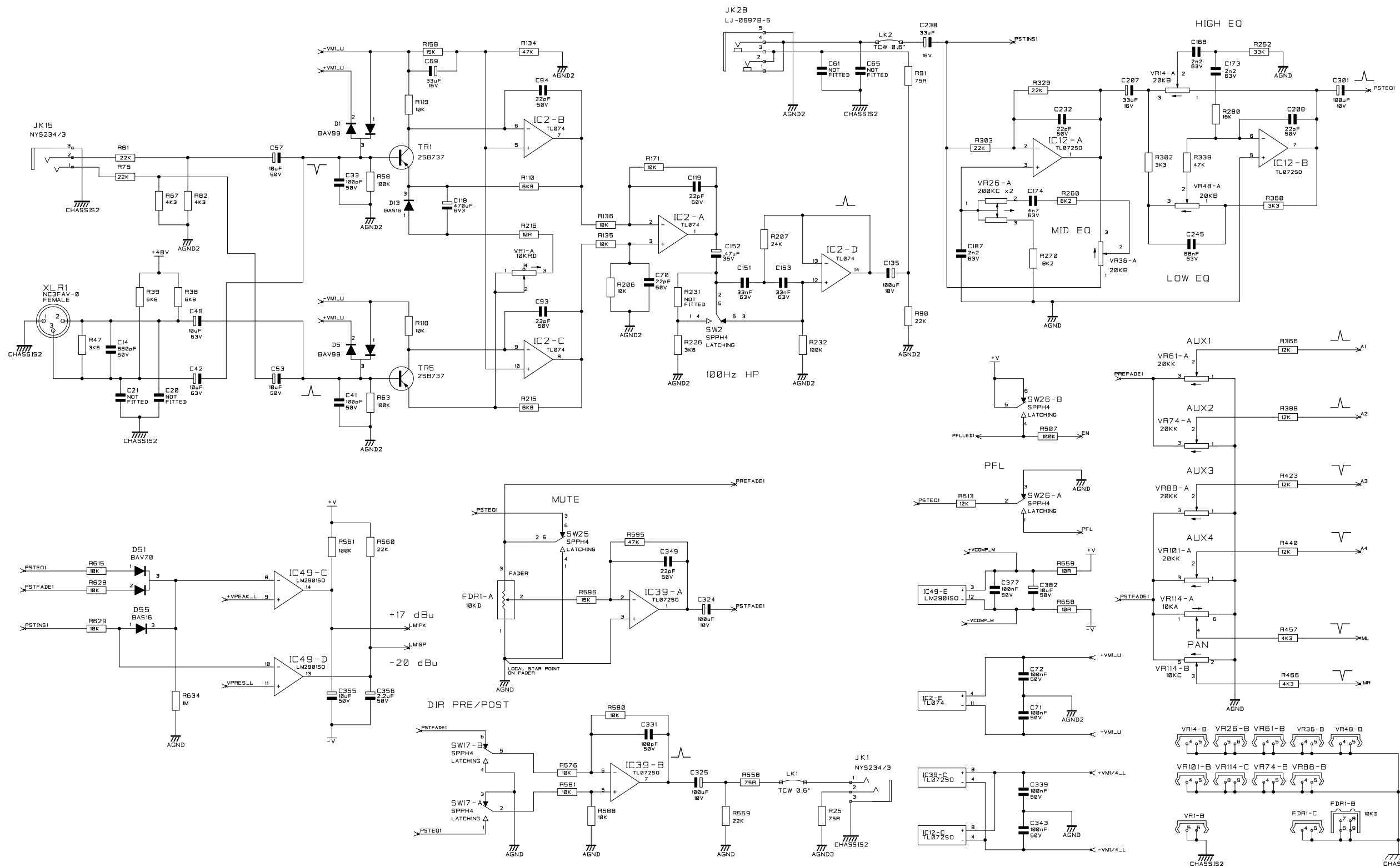
SOUNDCRAFT OWN THE COPYRIGHT OF THIS DRAWING WHICH IS NOT TO BE COPIED, REPRODUCED OR DISCLOSED, IN PART OR WHOLE TO A THIRD PARTY WITHOUT PRIOR WRITTEN PERMISSION.

SOUNDCRAFT
HARMAN INT. INDUSTRIES LTD.
CRANBORNE HOUSE,
CRANBORNE ROAD,
POTTERS BAR,
HERTS. EN6 3JN.
TEL: 01707 665000
FAX: 01707 660482

NOTES

DRN.	PMD	CN No.	INITIAL	DATE	ISSUE
DATE	02-10-00	PRE-PROD	PMD	18-01-01	03A
MASTER IF RED		PRE-PROD	ML	02-01-01	02C

TITLE	SPIRIT M4	
DRG NO.	ED4096	SHT. 1 OF 15

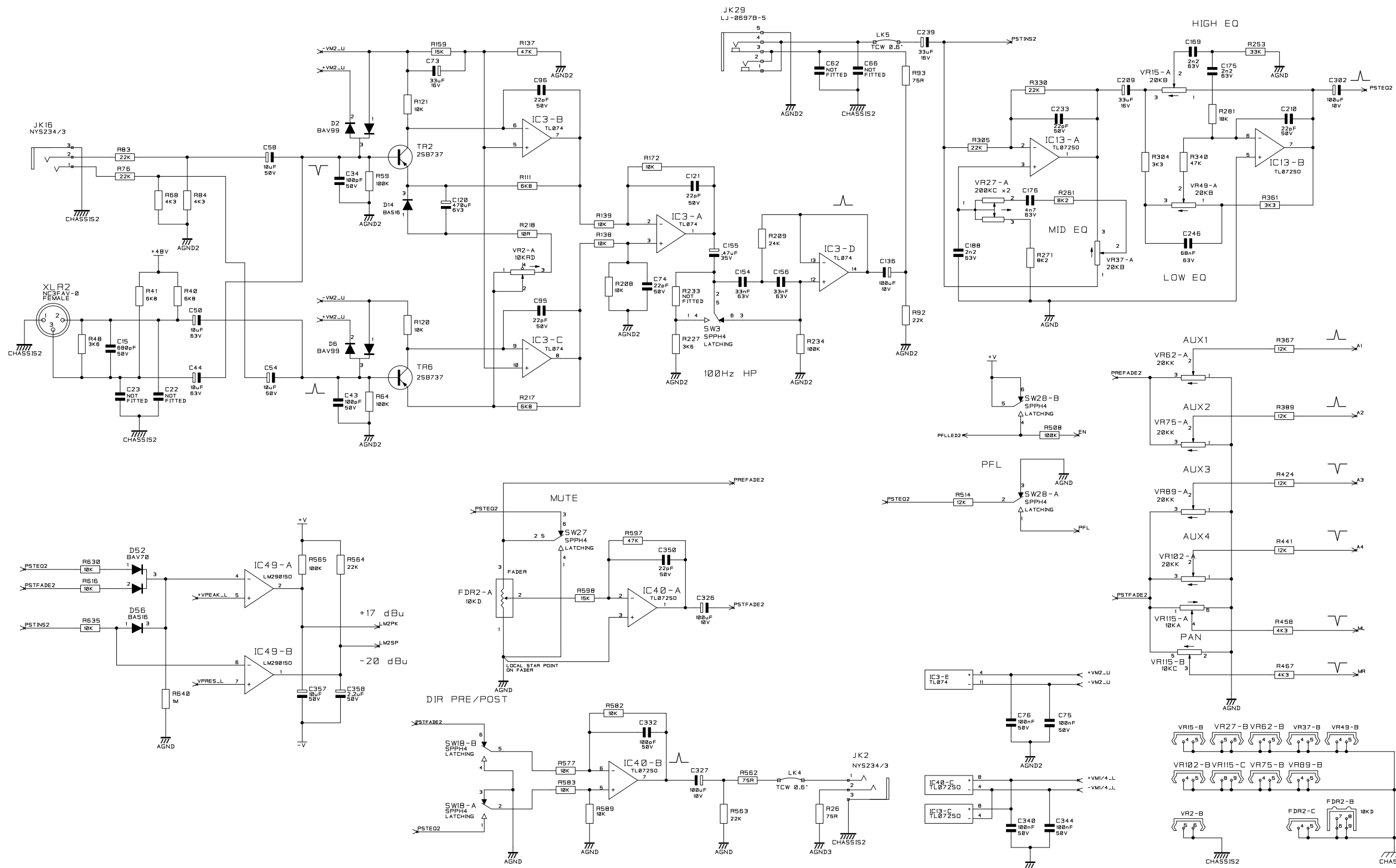


SOUNDCRAFT OWN THE COPYRIGHT OF THIS DRAWING WHICH IS NOT TO BE COPIED, REPRODUCED OR DISCLOSED, IN PART OR WHOLE TO A THIRD PARTY WITHOUT PRIOR WRITTEN PERMISSION.

SOUNDCRAFT
HARMAN INT. INDUSTRIES LTD.
CRANBORNE HOUSE,
CRANBORNE ROAD,
POTTERS BAR,
HERTS. EN9 3JN.
TEL: 01707 665000
FAX: 01707 660482

NOTES

DRN.	PMD	CN No.	INITIAL	DATE	ISSUE	TITLE	SPIRIT M4 MONO INPUT CHANNEL 1
DATE	02-10-00	PRE-PROD	PMD	18-01-01	03A	DRG NO. ED4096	
MASTER IF RED		PRE-PROD	ML	02-01-01	02C		

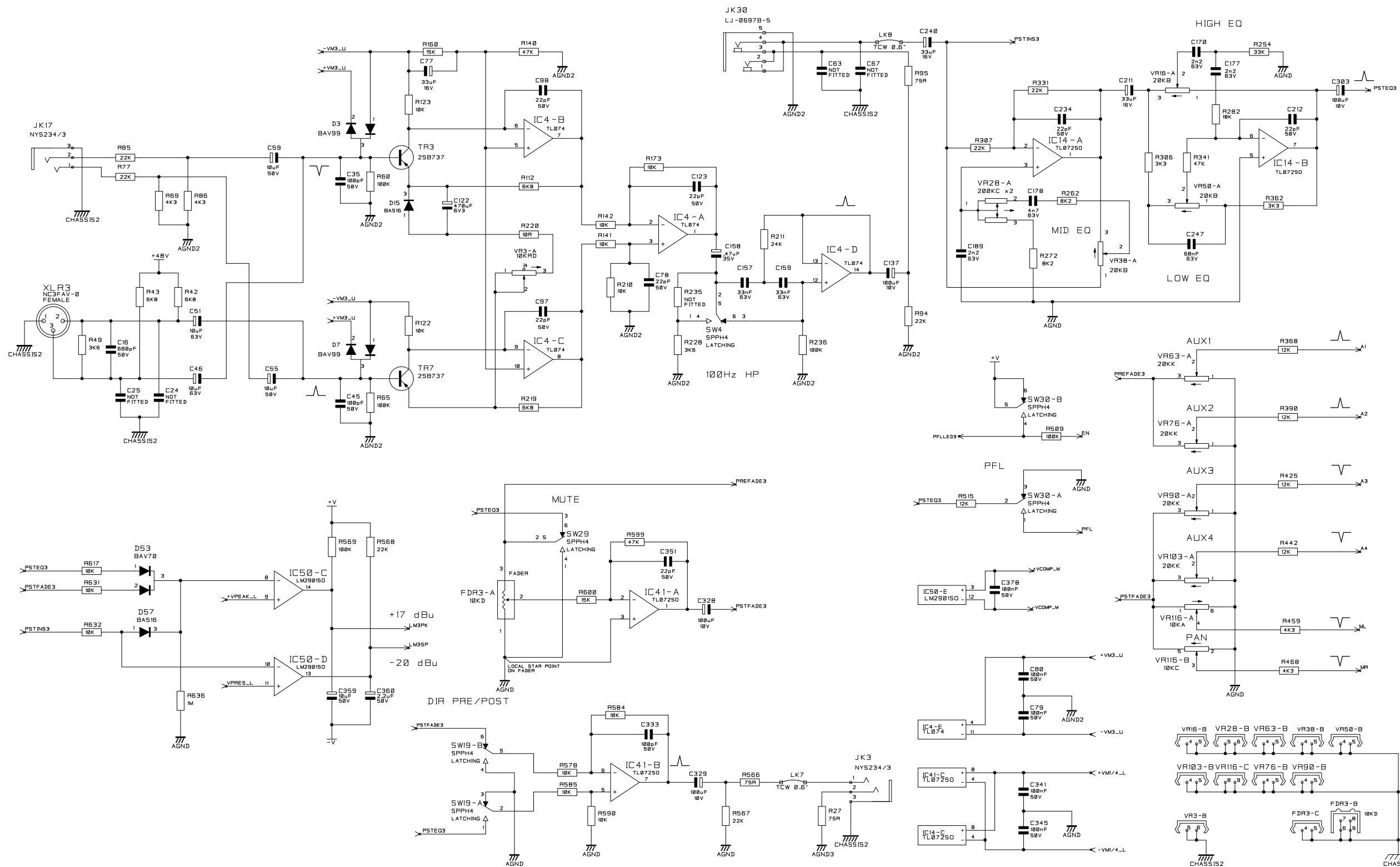


SOUNDCRAFT OWN THE COPYRIGHT OF THIS DRAWING WHICH IS NOT TO BE COPIED, REPRODUCED OR DISCLOSED, IN PART OR WHOLE TO A THIRD PARTY WITHOUT PRIOR WRITTEN PERMISSION.

SOUNDCRAFT
HARMAN INT. INDUSTRIES LTD.
CRANBORNE HOUSE,
CRANBORNE ROAD,
POTTERS BAR,
HERTS. EN9 3JN.
TEL: 01707 665000
FAX: 01707 660482

NOTES

DRN.	PMD	CN No.	INITIAL	DATE	ISSUE	TITLE	SPIRIT M4 MONO INPUT CHANNEL 2
DATE	02-10-00	PRE-PROD	PMD	18-01-01	03A		
MASTER IF RED		PRE-PROD	ML	02-01-01	02C		
						DRG NO.	ED4096
							SHT. 3 OF 15

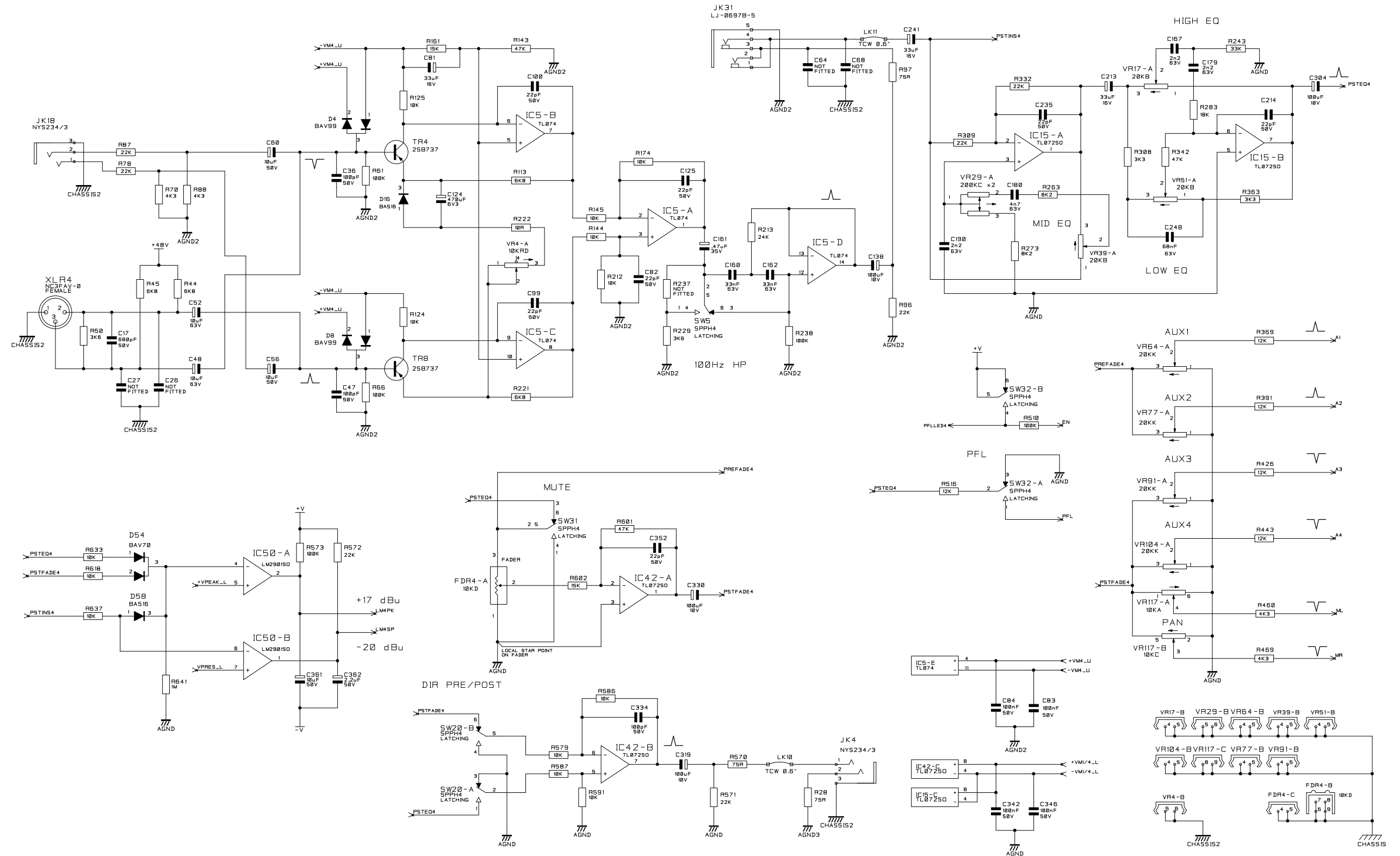


SOUNDCRAFT OWN THE COPYRIGHT OF THIS DRAWING WHICH IS NOT TO BE COPIED, REPRODUCED OR DISCLOSED, IN PART OR WHOLE TO A THIRD PARTY WITHOUT PRIOR WRITTEN PERMISSION.

SOUNDCRAFT
HARMAN INT. INDUSTRIES LTD.
CRANBORNE HOUSE,
CRANBORNE ROAD,
POTTERS BAR,
HERTS. EN9 3JN.
TEL: 01707 665000
FAX: 01707 660482

NOTES

DRN.	PMD	CN No.	INITIAL	DATE	ISSUE	TITLE	SPIRIT M4 MONO INPUT CHANNEL 3
DATE	02-10-00	PRE-PROD	PMD	18-01-01	03A		
MASTER IF RED		PRE-PROD	ML	02-01-01	02C		
						DRG NO.	ED4096
							SHT. 4 OF 15

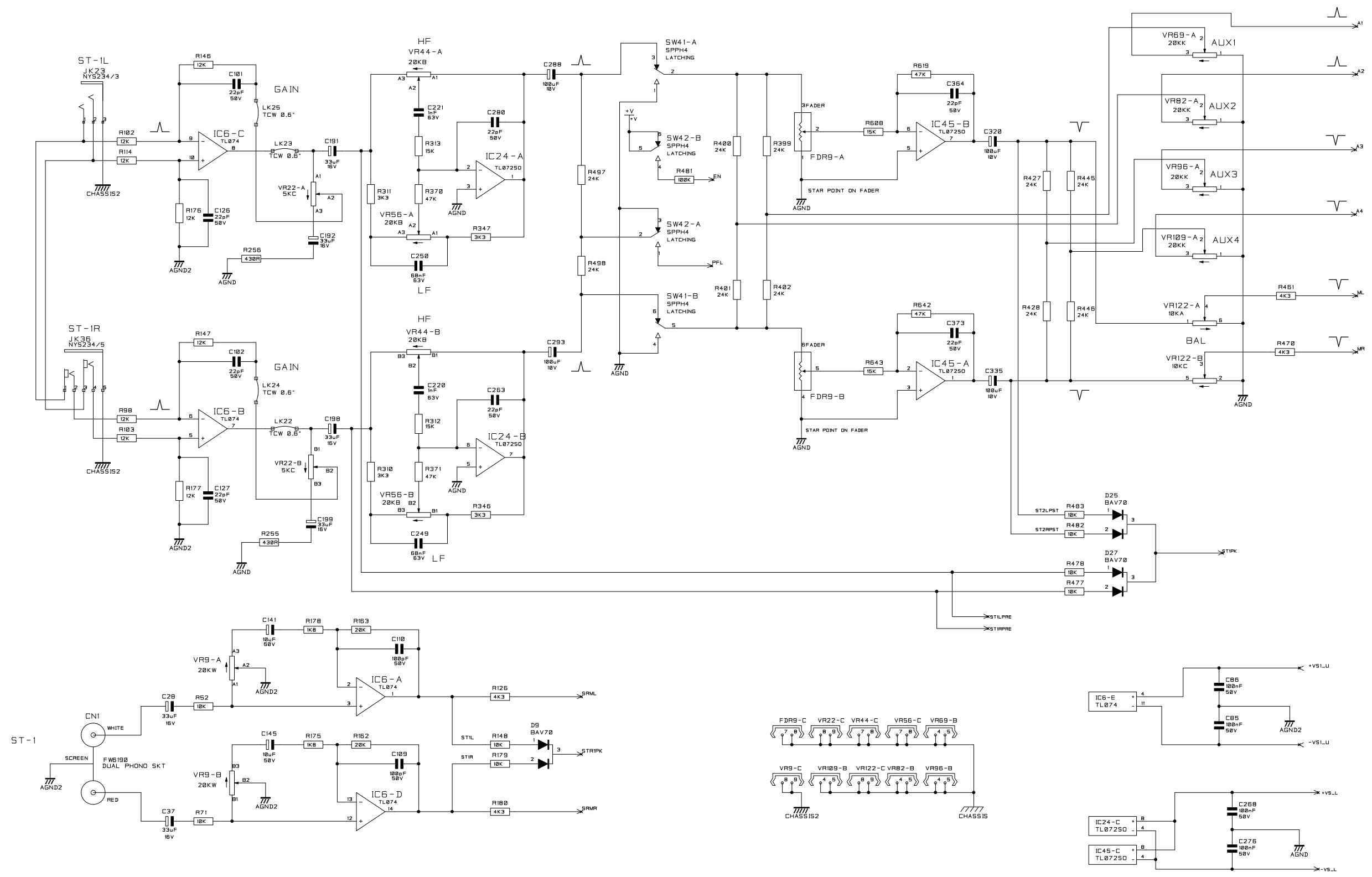


SOUNDCRAFT OWN THE COPYRIGHT OF THIS DRAWING WHICH IS NOT TO BE COPIED, REPRODUCED OR DISCLOSED, IN PART OR WHOLE TO A THIRD PARTY WITHOUT PRIOR WRITTEN PERMISSION.

SOUNDCRAFT
HARMAN INT. INDUSTRIES LTD.
CRANBORNE HOUSE,
CRANBORNE ROAD,
POTTERS BAR,
HERTS. EN9 3JN.
TEL: 01707 665000
FAX: 01707 660482

NOTES

DRN.	PMD	CN No.	INITIAL	DATE	ISSUE	TITLE	SPIRIT M4 MONO INPUT CHANNEL 4
DATE	02-10-00	PRE-PROD	PMD	18-01-01	03A		
MASTER IF RED		PRE-PROD	ML	02-01-01	02C		
						DRG NO.	ED4096
							SHT. 5 OF 15

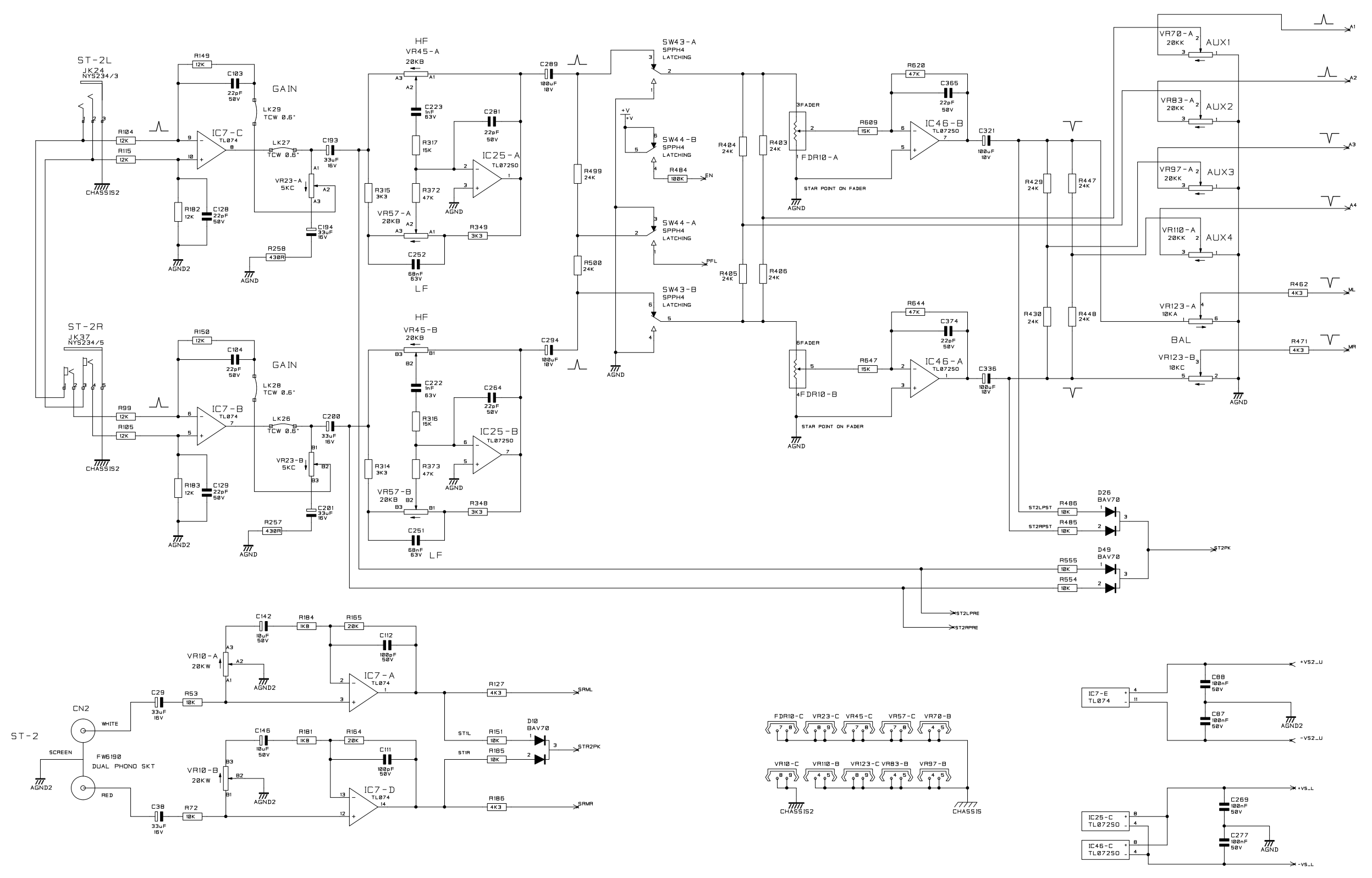


SOUNDCRAFT OWN THE COPYRIGHT OF THIS DRAWING WHICH IS NOT TO BE COPIED, REPRODUCED OR DISCLOSED, IN PART OR WHOLE TO A THIRD PARTY WITHOUT PRIOR WRITTEN PERMISSION.

SOUNDCRAFT
HARMAN INT. INDUSTRIES LTD.
CRANBORNE HOUSE,
CRANBORNE ROAD,
POTTERS BAR,
HERTS. EN6 3JN.
TEL: 01707 665000
FAX: 01707 660402

NOTES

DRN.	PMD	CN No.	INITIAL	DATE	ISSUE	TITLE	SPIRIT M4 STEREO INPUT 1
DATE	02-10-00	PRE-PROD	PMD	18-01-01	03A		
MASTER IF RED		PRE-PROD	ML	02-01-01	02C		
						DRG NO.	ED4096
							SHT. 6 OF 15

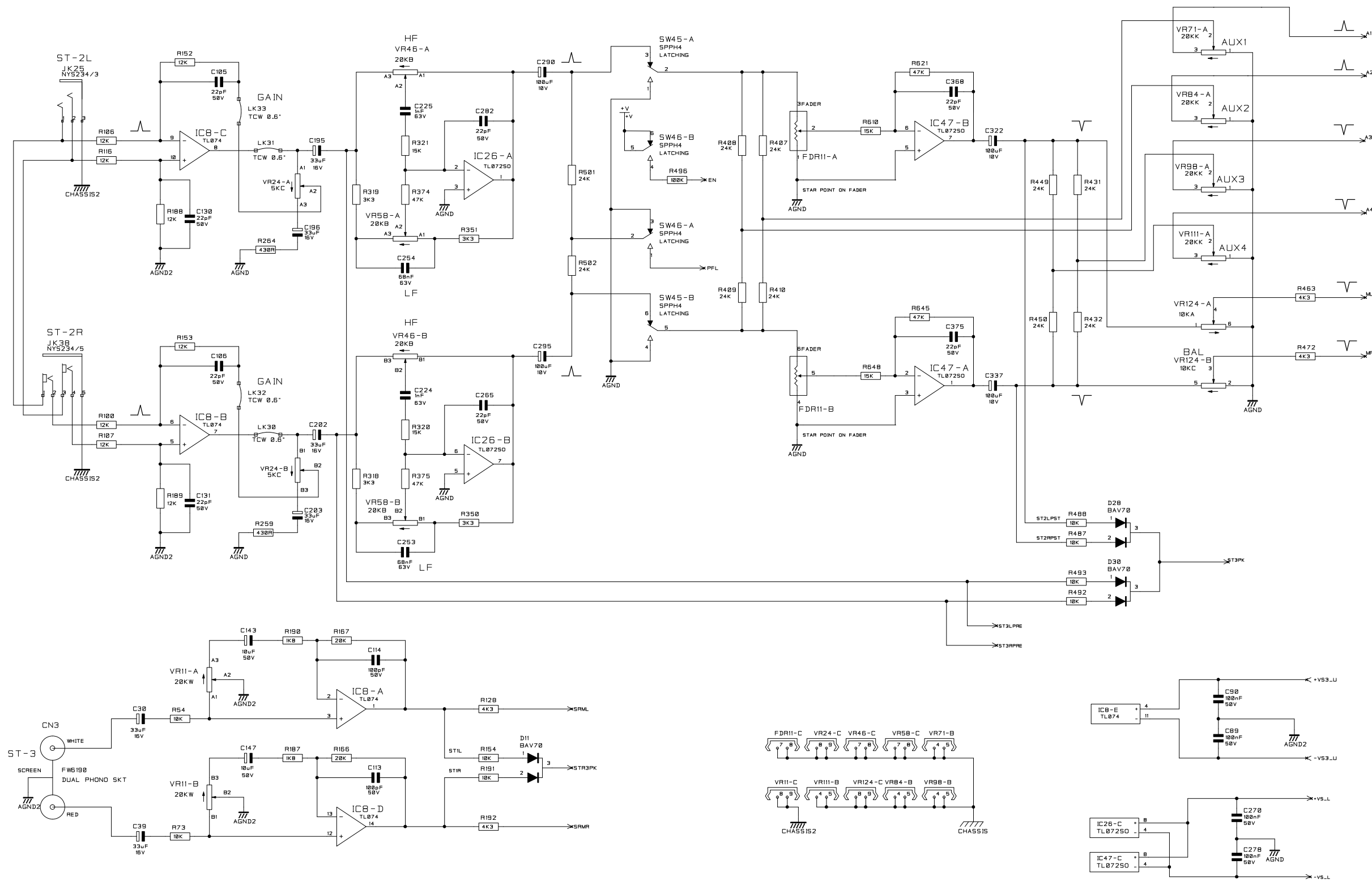


SOUNDCRAFT OWN THE COPYRIGHT OF THIS DRAWING WHICH IS NOT TO BE COPIED, REPRODUCED OR DISCLOSED, IN PART OR WHOLE TO A THIRD PARTY WITHOUT PRIOR WRITTEN PERMISSION.

SOUNDCRAFT
HARMAN INT. INDUSTRIES LTD.
CRANBORNE HOUSE,
CRANBORNE ROAD,
POTTERS BAR,
HERTS. EN6 3JN.
TEL: 01707 665000
FAX: 01707 660402

NOTES

DRN.	PMD	CN No.	INITIAL	DATE	ISSUE	TITLE	SPIRIT M4 STEREO INPUT 2
DATE	02-10-00	PRE-PROD	PMD	18-01-01	03A		
MASTER IF RED		PRE-PROD	ML	02-01-01	02C		
						DRG NO.	ED4096
							SHT. 7 OF 15

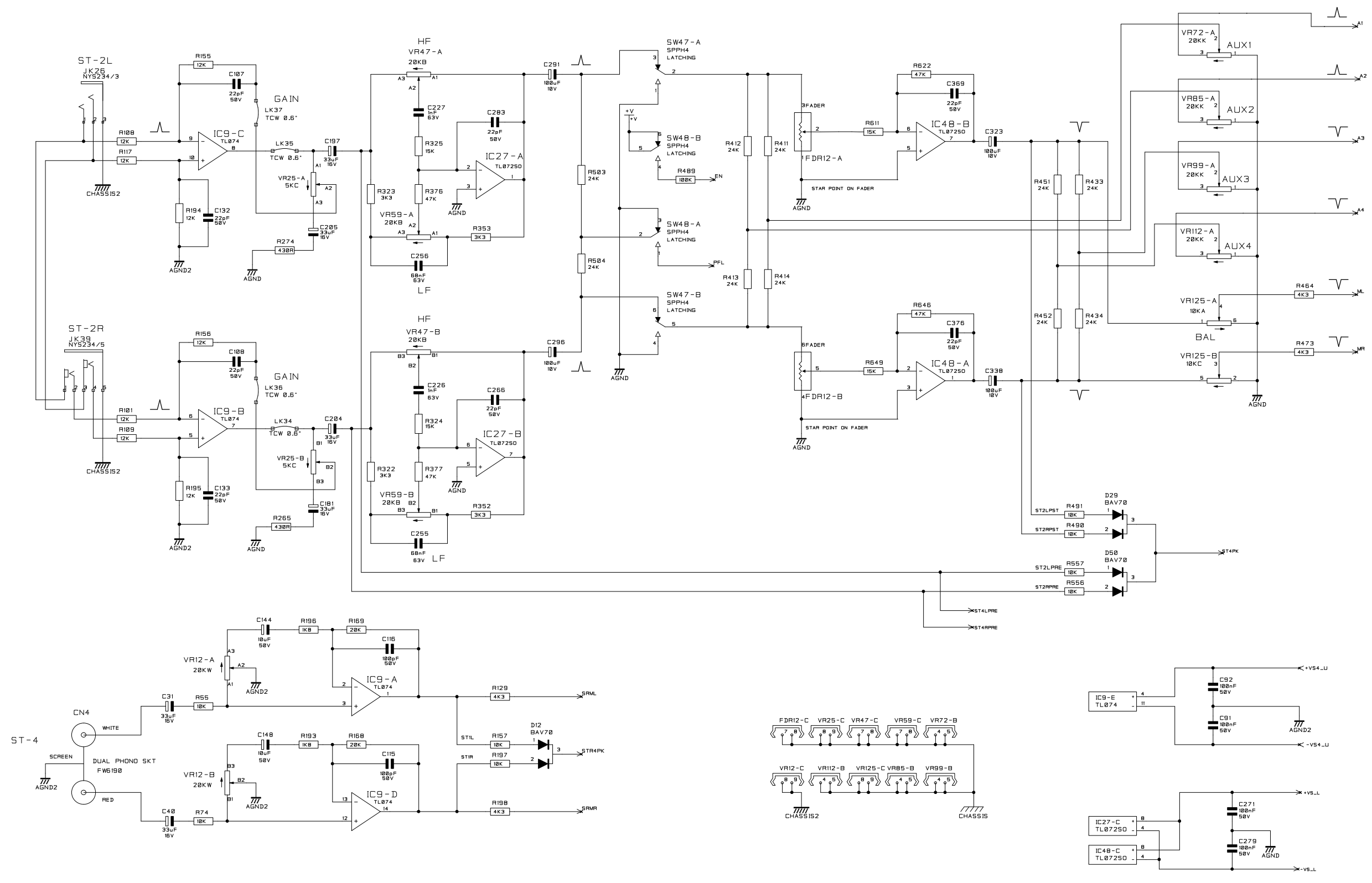


SOUNDCRAFT OWN THE COPYRIGHT OF THIS DRAWING WHICH IS NOT TO BE COPIED, REPRODUCED OR DISCLOSED, IN PART OR WHOLE TO A THIRD PARTY WITHOUT PRIOR WRITTEN PERMISSION.

SOUNDCRAFT
HARMAN INT. INDUSTRIES LTD.
CRANBORNE HOUSE,
CRANBORNE ROAD,
POTTERS BAR,
HERTS. EN9 3JN.
TEL: 01707 665000
FAX: 01707 660402

NOTES

DRN.	PMD	CN No.	INITIAL	DATE	ISSUE	TITLE
DATE	02-10-00	PRE-PROD	PMD	18-01-01	03A	SPIRIT M4 STEREO INPUT 3
MASTER IF RED		PRE-PROD	ML	02-01-01	02C	

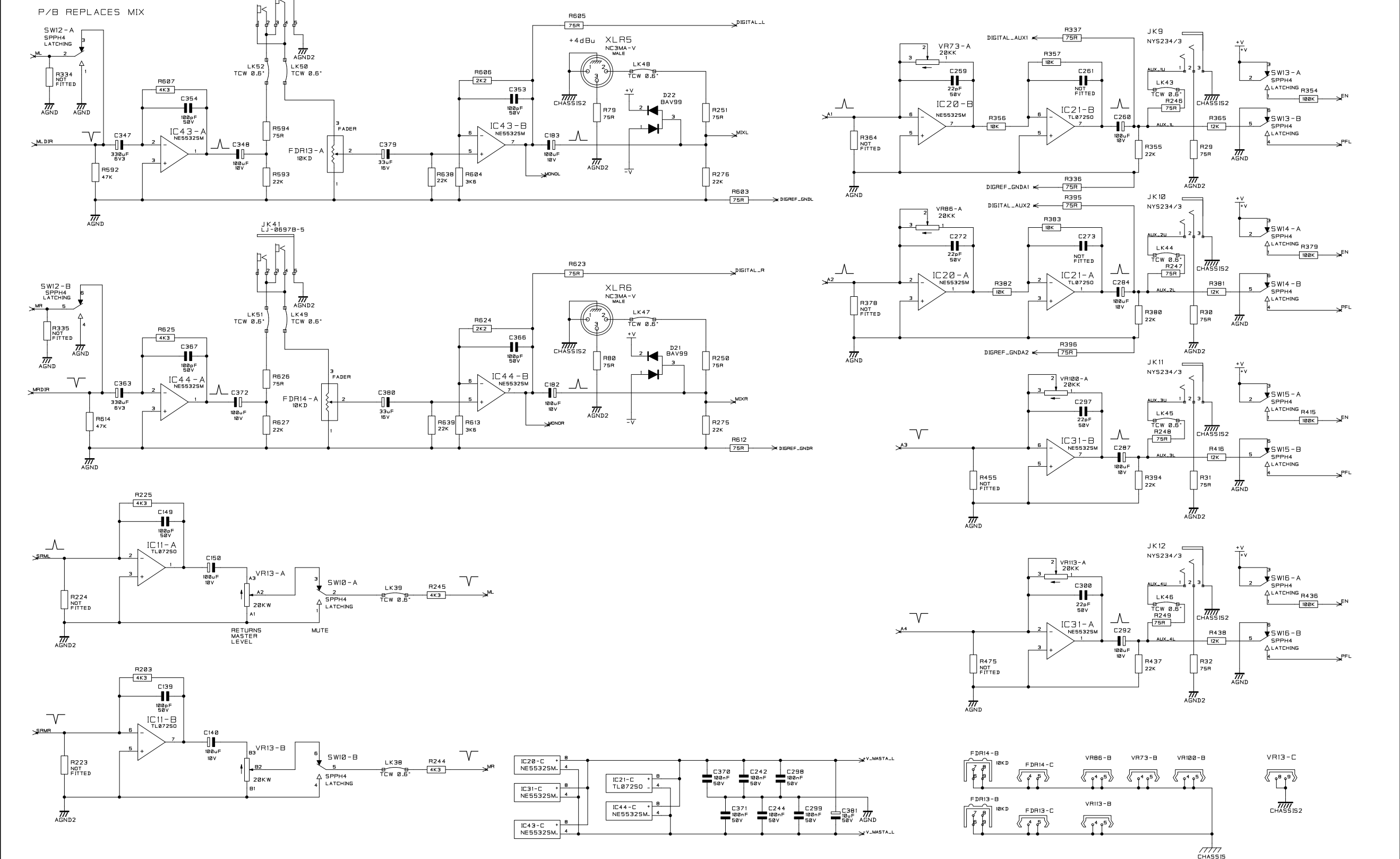


SOUNDCRAFT OWN THE COPYRIGHT OF THIS DRAWING WHICH IS NOT TO BE COPIED, REPRODUCED OR DISCLOSED, IN PART OR WHOLE TO A THIRD PARTY WITHOUT PRIOR WRITTEN PERMISSION.

SOUNDCRAFT
HARMAN INT. INDUSTRIES LTD.
CRANBORNE HOUSE,
CRANBORNE ROAD,
POTTERS BAR,
HERTS. EN9 3JN.
TEL: 01707 665000
FAX: 01707 660402

NOTES

DRN.	PMD	CN No.	INITIAL	DATE	ISSUE	TITLE	SPIRIT M4 STEREO INPUT 4
DATE	02-10-00	PRE-PROD	PMD	18-01-01	03A	DRG NO. ED4096	
MASTER IF RED		PRE-PROD	ML	02-01-01	02C		

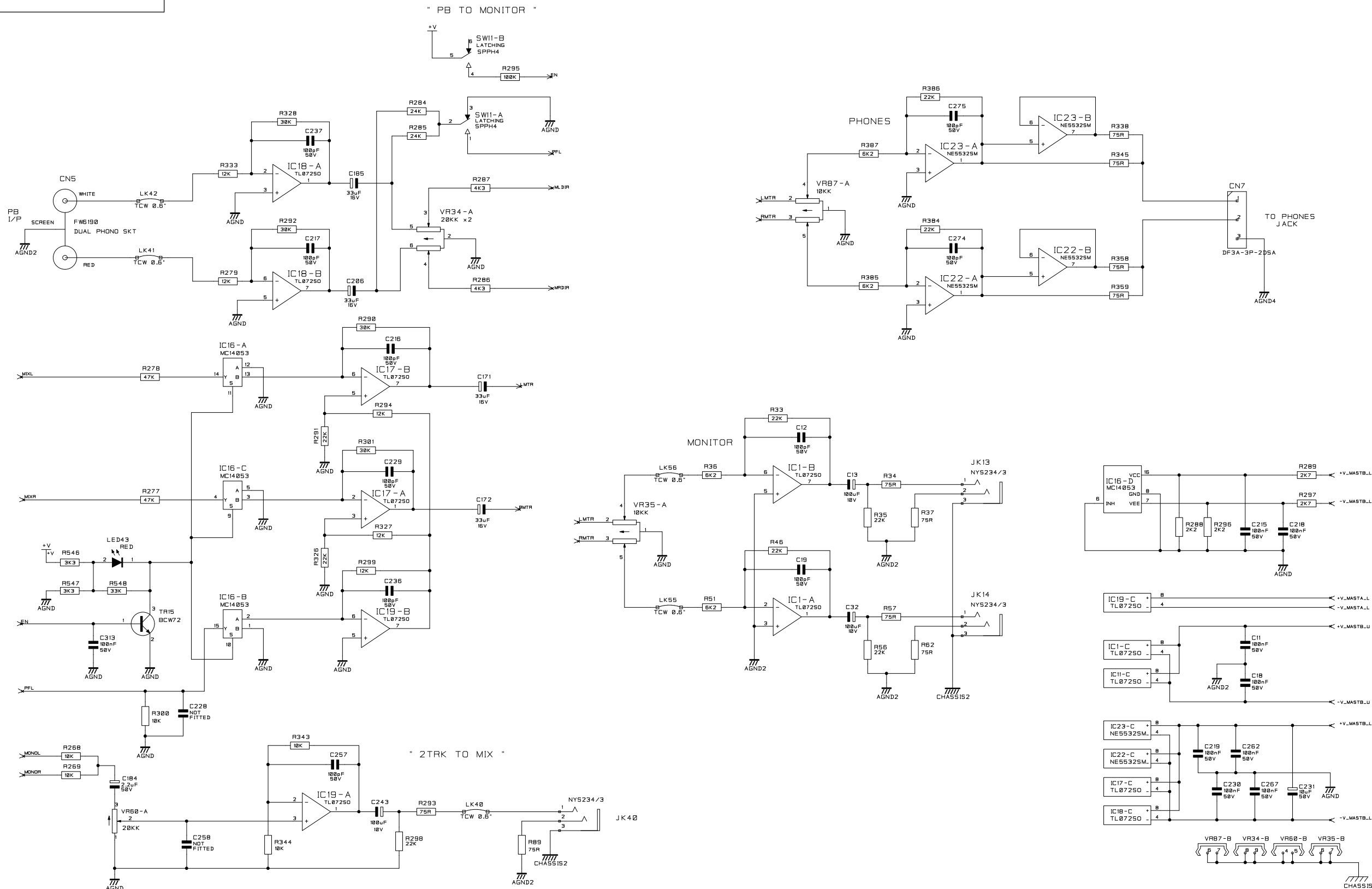


SOUNDCRAFT OWN THE COPYRIGHT OF THIS DRAWING WHICH IS NOT TO BE COPIED, REPRODUCED OR DISCLOSED, IN PART OR WHOLE TO A THIRD PARTY WITHOUT PRIOR WRITTEN PERMISSION.

SOUNDCRAFT
HARMAN INT. INDUSTRIES LTD.
CRANBORNE HOUSE,
CRANBORNE ROAD,
POTTERS BAR,
HERTS. EN6 3JN.
TEL: 01707 665000
FAX: 01707 660482

NOTES

DRN.	PMD	CN No.	INITIAL	DATE	ISSUE	TITLE
DATE	02-10-00	PRE-PROD	PMD	18-01-01	03A	SPIRIT M4 MASTER A
		PRE-PROD	ML	02-01-01	02C	
MASTER IF RED						DRG NO. ED4096
						SHT.10 OF 15



SOUNDCRAFT OWN THE COPYRIGHT OF THIS DRAWING WHICH IS NOT TO BE COPIED, REPRODUCED OR DISCLOSED, IN PART OR WHOLE TO A THIRD PARTY WITHOUT PRIOR WRITTEN PERMISSION.

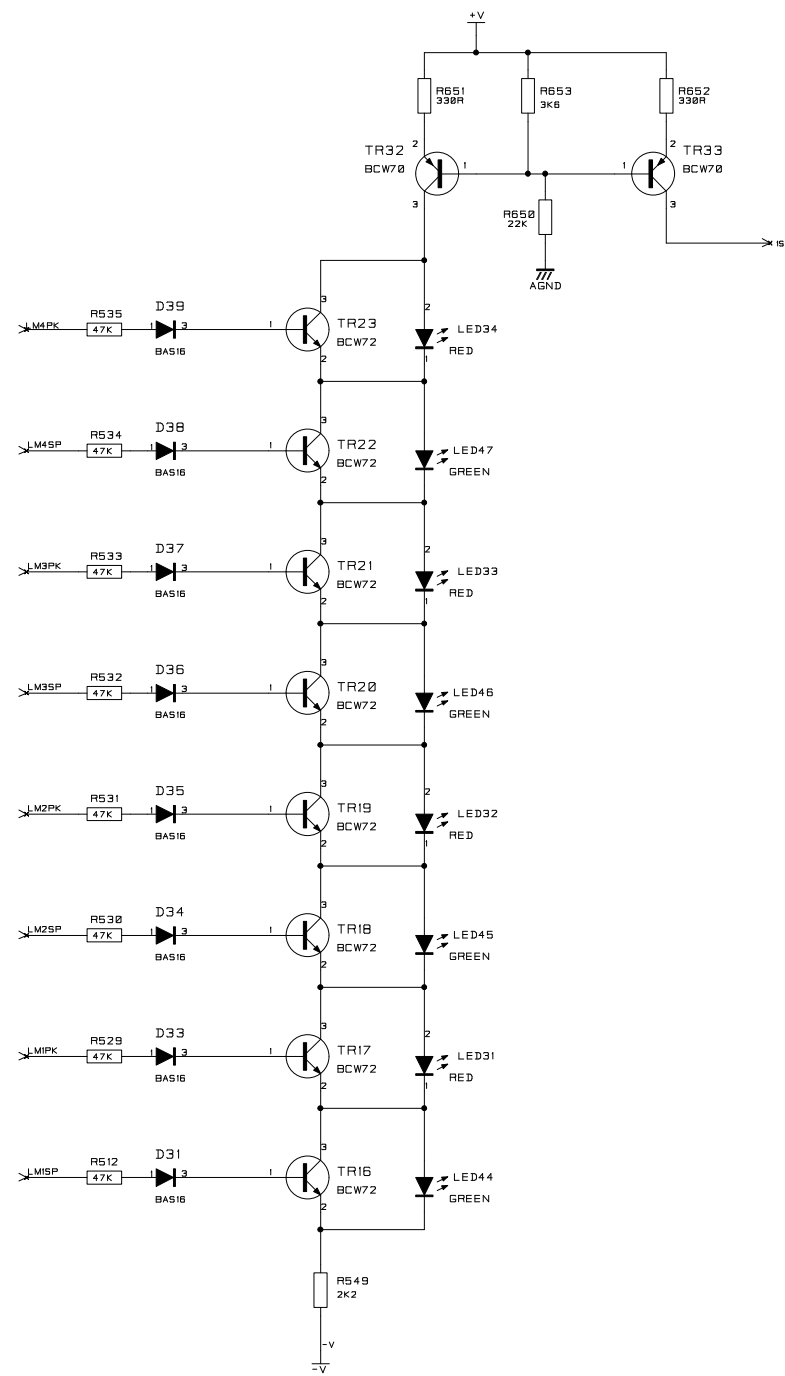
SOUNDCRAFT
HARMAN INT. INDUSTRIES LTD.
CRANBORNE HOUSE,
CRANBORNE ROAD,
POTTERS BAR,
HERTS. EN9 3JN.
TEL: 01707 665000
FAX: 01707 660482

NOTES

DRN.	PMD	CN No.	INITIAL	DATE	ISSUE	TITLE	SPIRIT M4 MASTER B
DATE	02-10-00	PRE-PROD	PMD	18-01-01	03A		
MASTER IF RED		PRE-PROD	ML	02-01-01	02C		
						DRG NO.	ED4096
							SHT. 11 OF 15

DRG NO.

ED4096

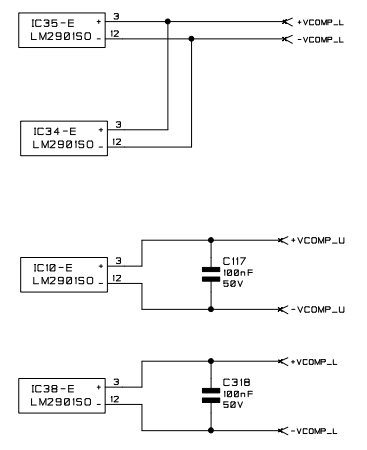
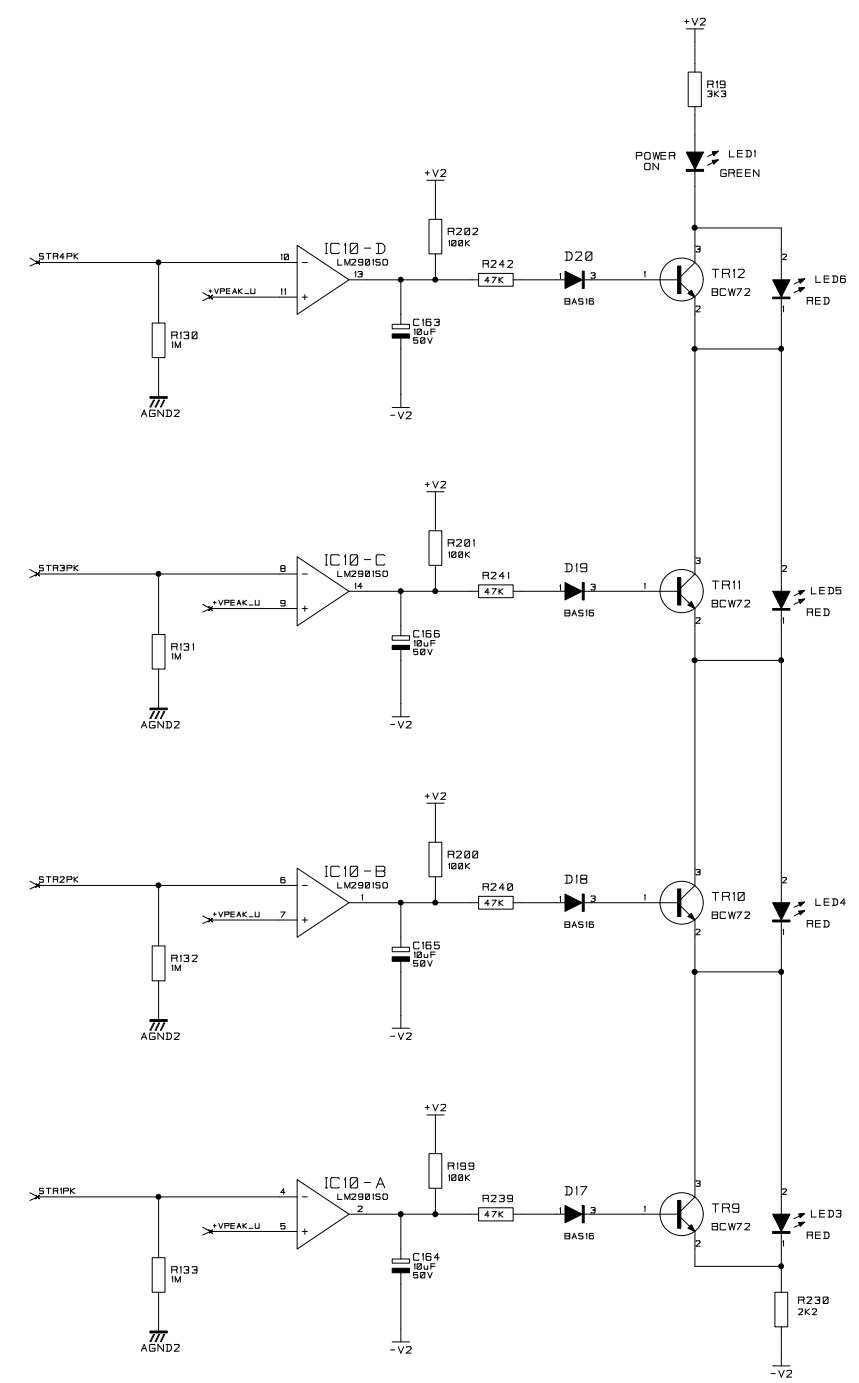
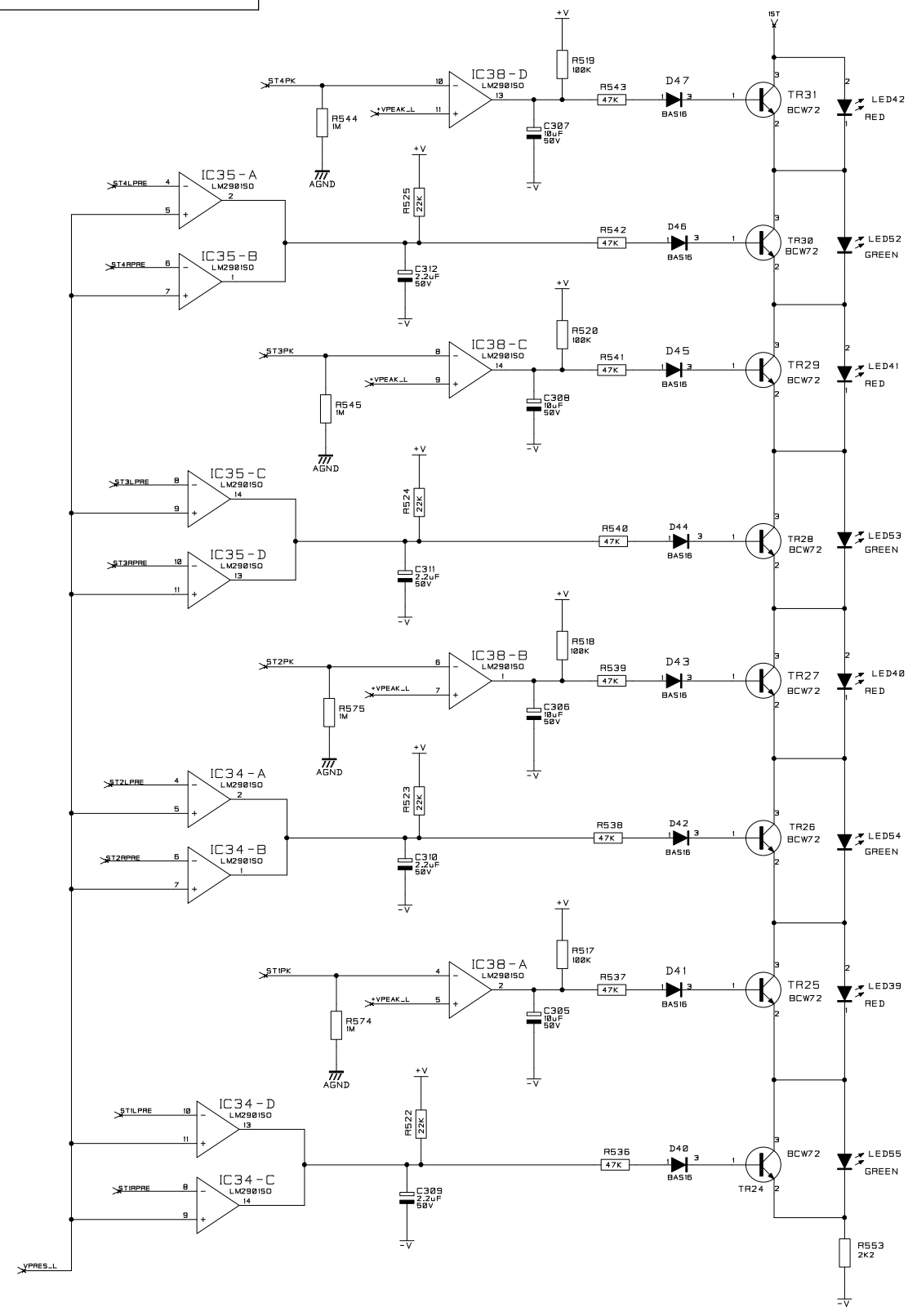


SOUNDCRAFT OWN THE COPYRIGHT OF THIS DRAWING WHICH IS NOT TO BE COPIED, REPRODUCED OR DISCLOSED, IN PART OR WHOLE TO A THIRD PARTY WITHOUT PRIOR WRITTEN PERMISSION.

SOUNDCRAFT
HARMAN INT. INDUSTRIES LTD.
CRANBORNE HOUSE,
CRANBORNE ROAD,
POTTERS BAR,
HERTS. EN6 3JN.
TEL: 01707 665000
FAX: 01707 660482

NOTES

DRN.	PMD	CN No.	INITIAL	DATE	ISSUE	TITLE SPIRIT M4 MONO PEAK LEDs	DRG NO. ED4096	SHT.12 OF 15
DATE	02-10-00	PRE-PROD	PMD	18-01-01	03A			
MASTER IF RED		PRE-PROD	ML	02-01-01	02C			



SOUNDCRAFT OWN THE COPYRIGHT OF THIS DRAWING WHICH IS NOT TO BE COPIED, REPRODUCED OR DISCLOSED, IN PART OR WHOLE TO A THIRD PARTY WITHOUT PRIOR WRITTEN PERMISSION.

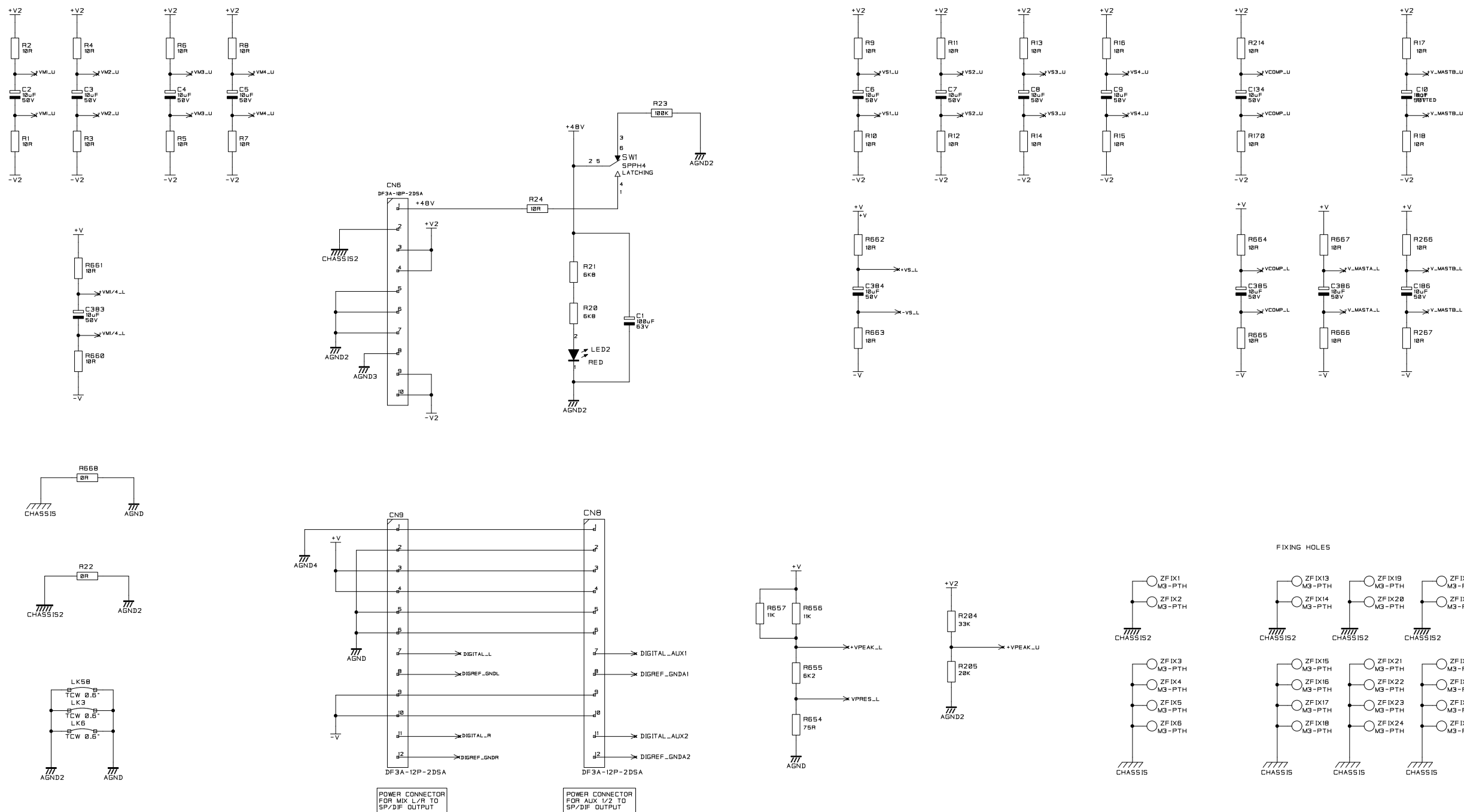
SOUNDCRAFT
HARMAN INT. INDUSTRIES LTD.
CRANBORNE HOUSE,
CRANBORNE ROAD,
POTTERS BAR,
HERTS. EN9 3JN.
TEL: 01707 665000
FAX: 01707 660402

NOTES

DRN.	PMD	CN No.	INITIAL	DATE	ISSUE	TITLE
DATE	02-10-00	PRE-PROD	PMD	18-01-01	03A	SPIRIT M4 STEREO LEDES
MASTER IF RED		PRE-PROD	ML	02-01-01	02C	

DRN.	PMD	CN No.	INITIAL	DATE	ISSUE
DATE	02-10-00	PRE-PROD	PMD	18-01-01	03A
MASTER IF RED		PRE-PROD	ML	02-01-01	02C

DRG NO.	ED4096	SHT.13 OF 15
---------	--------	-----------------



SOUNDCRAFT OWN THE COPYRIGHT OF THIS DRAWING WHICH IS NOT TO BE COPIED, REPRODUCED OR DISCLOSED, IN PART OR WHOLE TO A THIRD PARTY WITHOUT PRIOR WRITTEN PERMISSION.

SOUNDCRAFT
HARMAN INT. INDUSTRIES LTD.
CRANBORNE HOUSE,
CRANBORNE ROAD,
POTTERS BAR,
HERTS. EN9 3JN.
TEL: 01707 665000
FAX: 01707 660402

NOTES

DRN.	PMD	CN No.	INITIAL	DATE	ISSUE	TITLE	SPIRIT M4 POWER
DATE	02-10-00	PRE-PROD	PMD	18-01-01	03A	DRG NO.	
MASTER IF RED		PRE-PROD	ML	02-01-01	02C		
						SHT.15 OF 15	

