

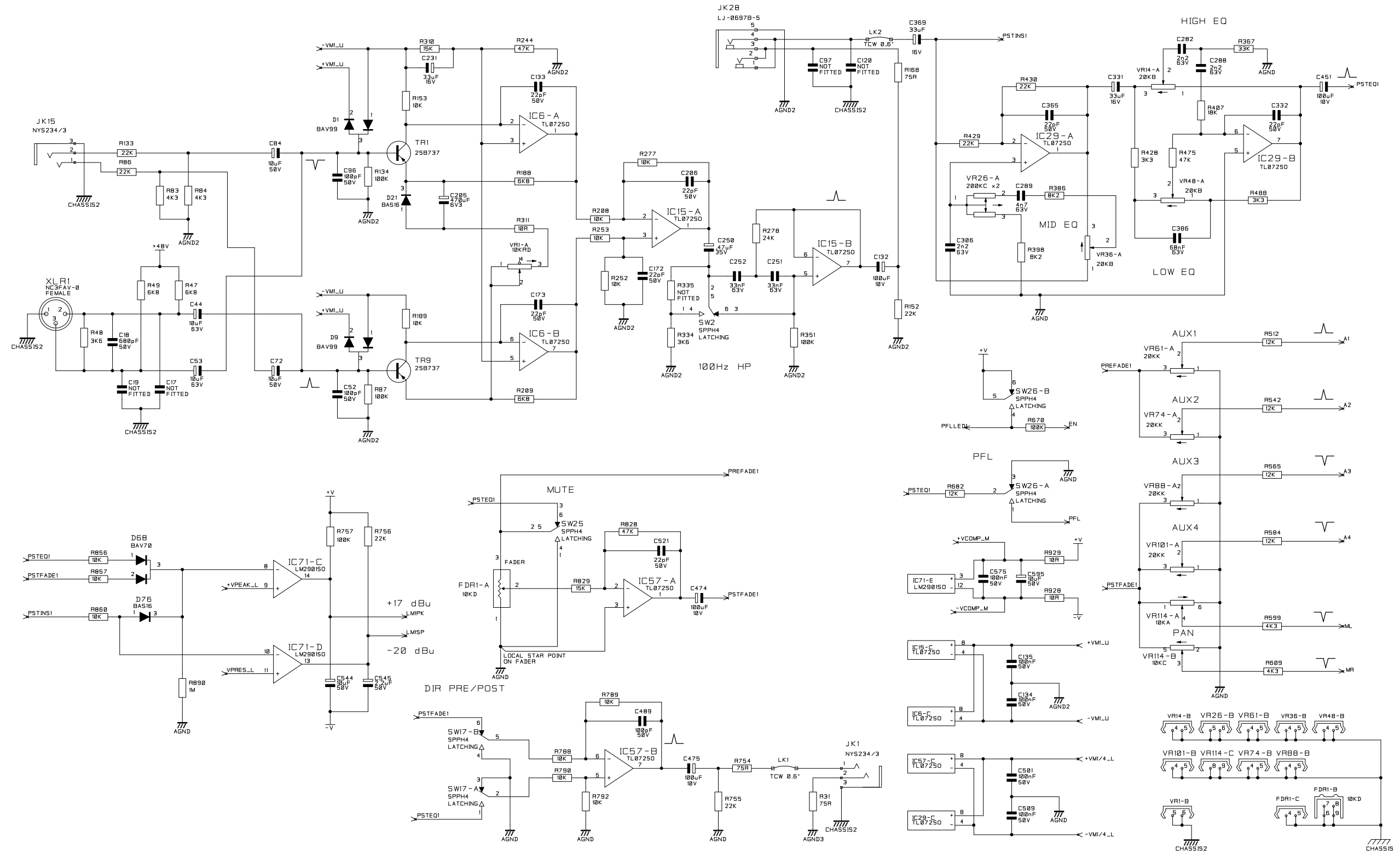
SOUNDCRAFT OWN THE COPYRIGHT OF THIS DRAWING WHICH IS NOT TO BE COPIED, REPRODUCED OR DISCLOSED, IN PART OR WHOLE TO A THIRD PARTY WITHOUT PRIOR WRITTEN PERMISSION.

SOUNDCRAFT
HARMAN INT. INDUSTRIES LTD.
CRANBORNE HOUSE,
CRANBORNE ROAD,
POTTERS BAR,
HERTS. EN9 3JN.
TEL: 01707 665000
FAX: 01707 660482

NOTES

DRN.	MSW	CN No.	INITIAL	DATE	ISSUE
		PRE-PROD	MSW	09-01-01	05A
DATE	09-01-01				
MASTER IF RED					

TITLE	SPIRIT M8	
DRG NO.	ED4097-05A	SHT. 1 OF 19

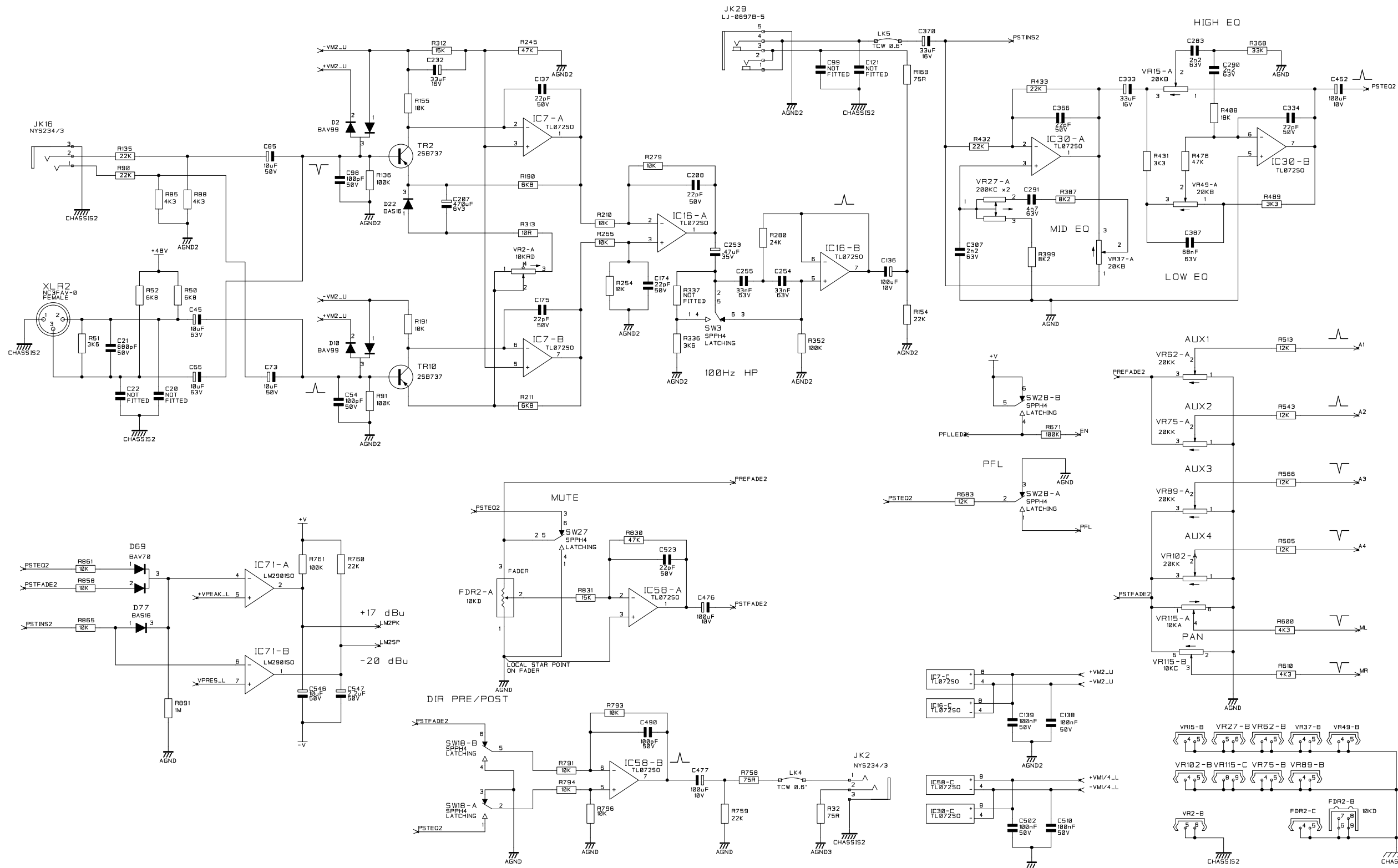


SOUNDCRAFT OWN THE COPYRIGHT OF THIS DRAWING WHICH IS NOT TO BE COPIED, REPRODUCED OR DISCLOSED, IN PART OR WHOLE TO A THIRD PARTY WITHOUT PRIOR WRITTEN PERMISSION.

SOUNDCRAFT
HARMAN INT. INDUSTRIES LTD.
CRANBORNE HOUSE,
CRANBORNE ROAD,
POTTERS BAR,
HERTS. EN9 3JN.
TEL: 01707 665000
FAX: 01707 660482

NOTES

DRN.	MSW	CN No.	INITIAL	DATE	ISSUE	TITLE
DATE	09-01-01	PRE-PROD	MSW	09-01-01	05A	SPIRIT M8 MONO INPUT CHANNEL 1
MASTER IF RED						DRG NO. ED4097-05A
						SHT. 2 OF 19

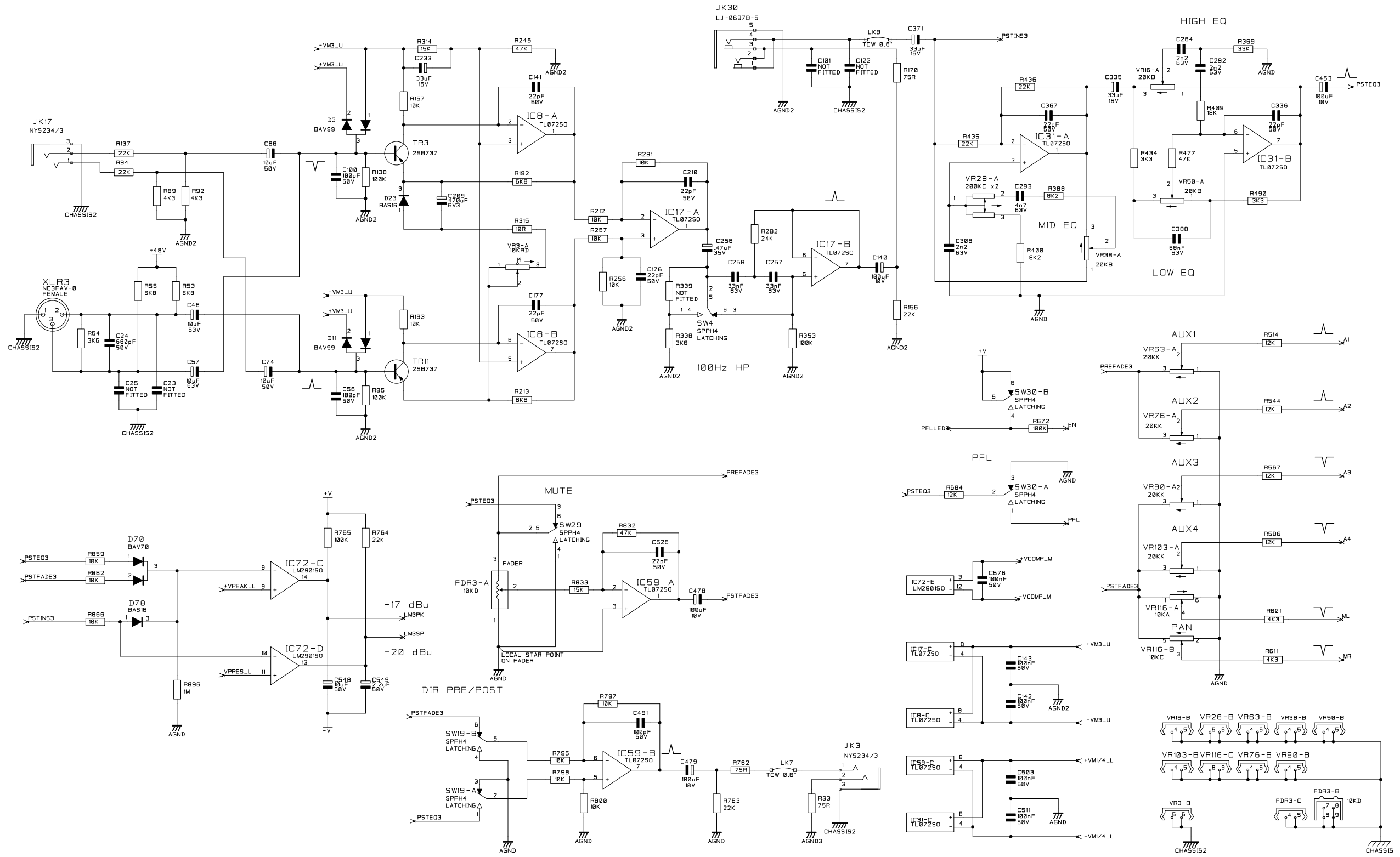


SOUNDCRAFT OWN THE COPYRIGHT OF THIS DRAWING WHICH IS NOT TO BE COPIED, REPRODUCED OR DISCLOSED, IN PART OR WHOLE TO A THIRD PARTY WITHOUT PRIOR WRITTEN PERMISSION.

SOUNDCRAFT
HARMAN INT. INDUSTRIES LTD.
CRANBORNE HOUSE,
CRANBORNE ROAD,
POTTERS BAR,
HERTS. EN9 3JN.
TEL: 01707 665000
FAX: 01707 660482

NOTES

DRN.	MSW	CN No.	INITIAL	DATE	ISSUE	TITLE
DATE	09-01-01	PRE-PROD	MSW	09-01-01	05A	SPIRIT M8 MONO INPUT CHANNEL 2
MASTER IF RED						DRG NO. ED4097-05A
						SHT. 3 OF 19

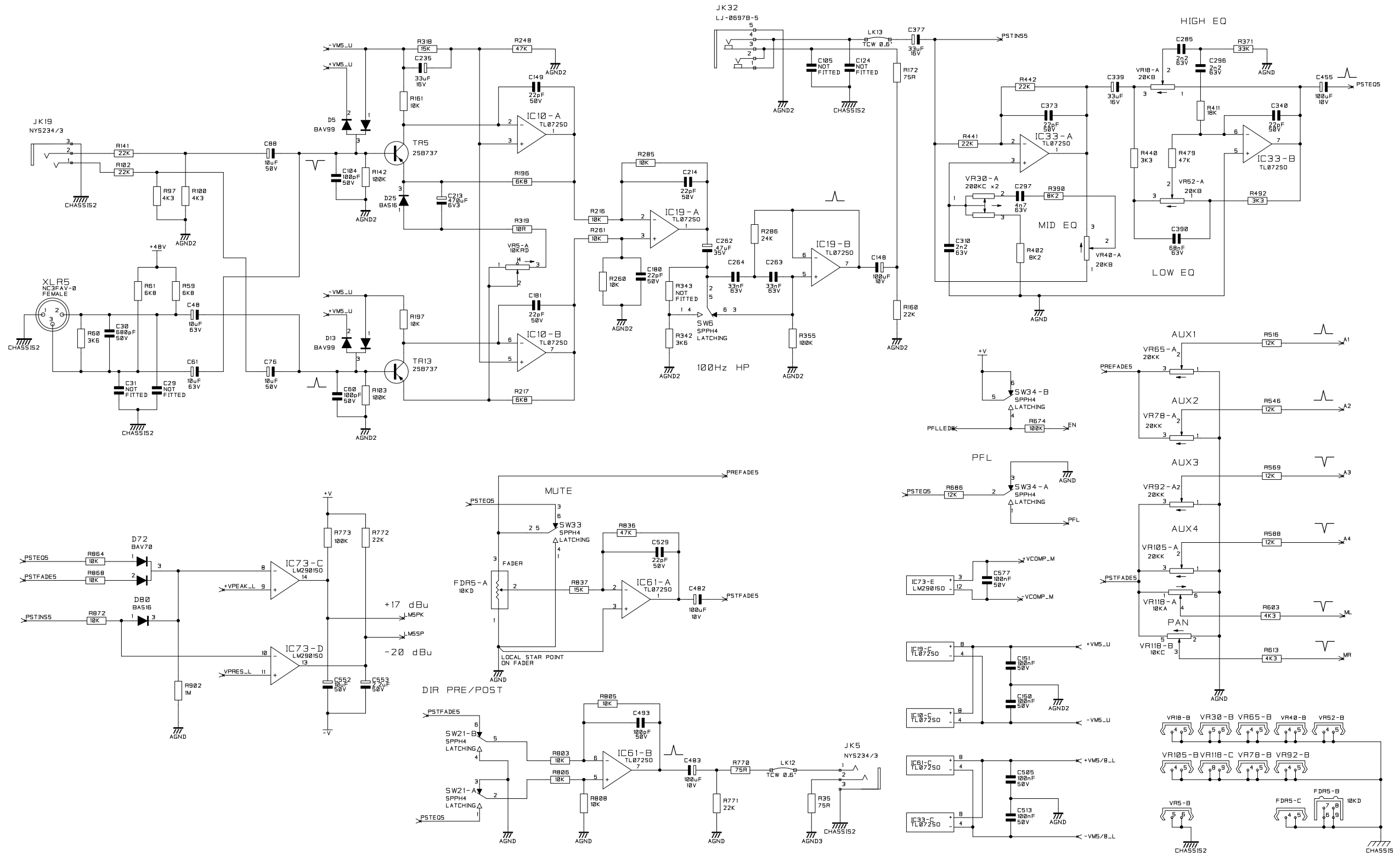


SOUNDCRAFT OWN THE COPYRIGHT OF THIS DRAWING WHICH IS NOT TO BE COPIED, REPRODUCED OR DISCLOSED, IN PART OR WHOLE TO A THIRD PARTY WITHOUT PRIOR WRITTEN PERMISSION.

SOUNDCRAFT
HARMAN INT. INDUSTRIES LTD.
CRANBORNE HOUSE,
CRANBORNE ROAD,
POTTERS BAR,
HERTS. EN6 3JN.
TEL: 01707 665000
FAX: 01707 660482

NOTES

DRN.	CN No.	INITIAL	DATE	ISSUE	TITLE
MSW	PRE-PROD	MSW	09-01-01	05A	SPIRIT M8 MONO INPUT CHANNEL 3
DATE	09-01-01				
MASTER IF RED					
					DRG NO. ED4097-05A
					SHT. 4 OF 19

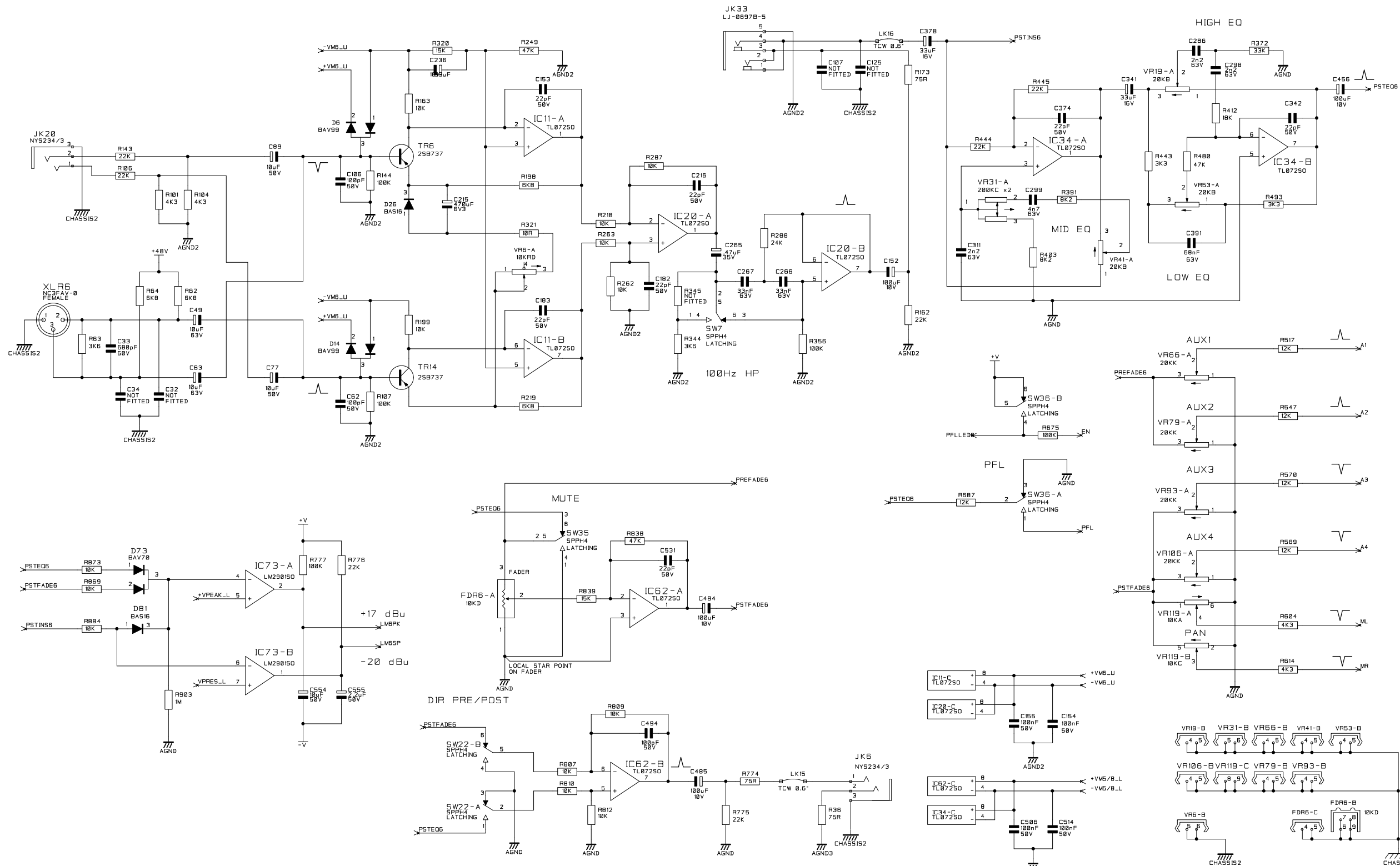


SOUNDCRAFT OWN THE COPYRIGHT OF THIS DRAWING WHICH IS NOT TO BE COPIED, REPRODUCED OR DISCLOSED, IN PART OR WHOLE TO A THIRD PARTY WITHOUT PRIOR WRITTEN PERMISSION.

SOUNDCRAFT
HARMAN INT. INDUSTRIES LTD.
CRANBORNE HOUSE,
CRANBORNE ROAD,
POTTERS BAR,
HERTS. EN9 3JN.
TEL: 01707 665000
FAX: 01707 660482

NOTES

DRN.	CN No.	INITIAL	DATE	ISSUE	TITLE
MSW	PRE-PROD	MSW	09-01-01	05A	SPIRIT M8 MONO INPUT CHANNEL 5
DATE			09-01-01		
MASTER IF RED					DRG NO. ED4097-05A

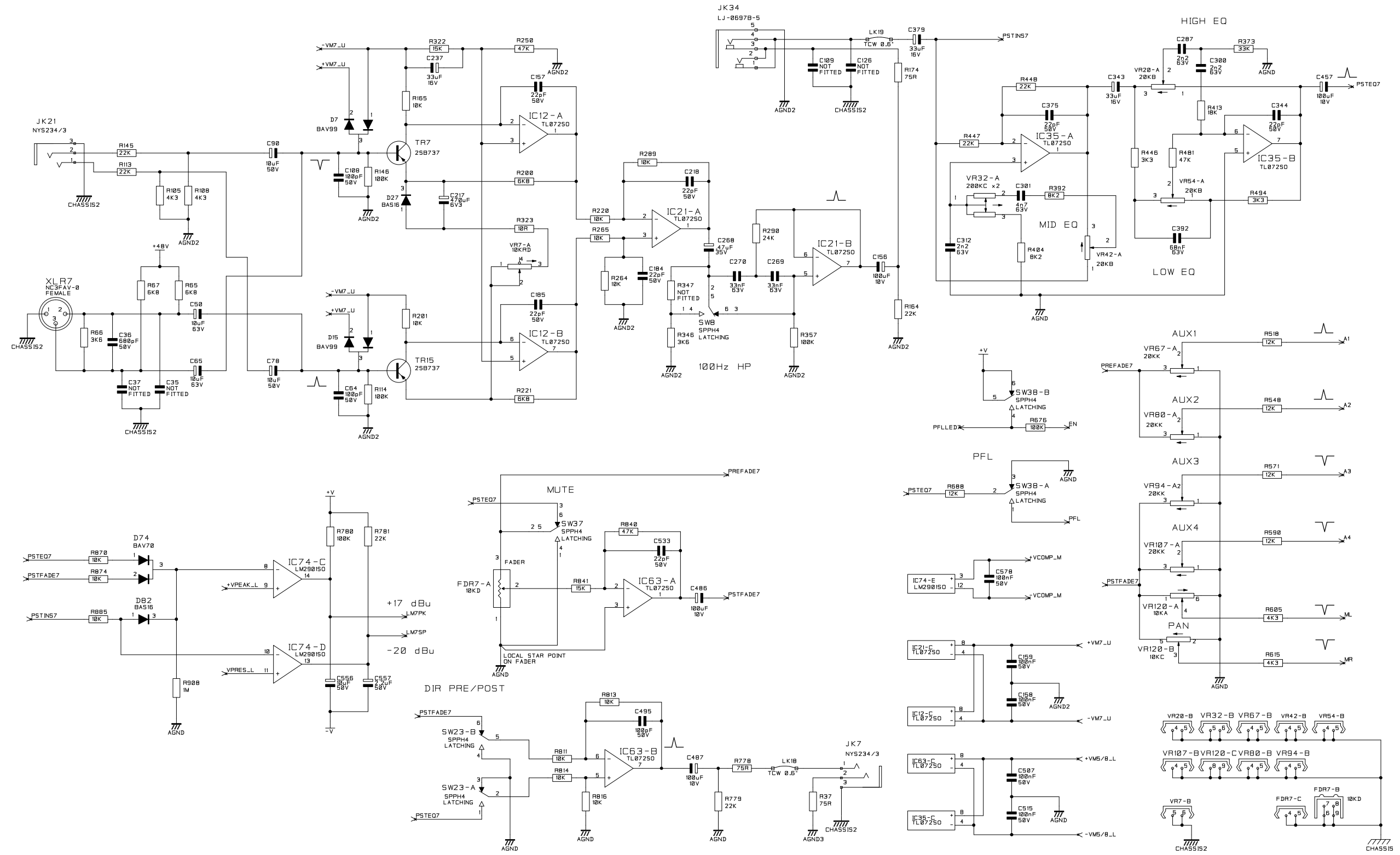


SOUNDCRAFT OWN THE COPYRIGHT OF THIS DRAWING WHICH IS NOT TO BE COPIED, REPRODUCED OR DISCLOSED, IN PART OR WHOLE TO A THIRD PARTY WITHOUT PRIOR WRITTEN PERMISSION.

SOUNDCRAFT
HARMAN INT. INDUSTRIES LTD.
CRANBORNE HOUSE,
CRANBORNE ROAD,
POTTERS BAR,
HERTS. EN9 3JN.
TEL: 01707 665000
FAX: 01707 660482

NOTES

DRN.	MSW	CN No.	INITIAL	DATE	ISSUE	TITLE
DATE	09-01-01	PRE-PROD	MSW	09-01-01	05A	SPIRIT M8 MONO INPUT CHANNEL 6
MASTER IF RED						DRG NO. ED4097-05A
						SHT. 7 OF 19

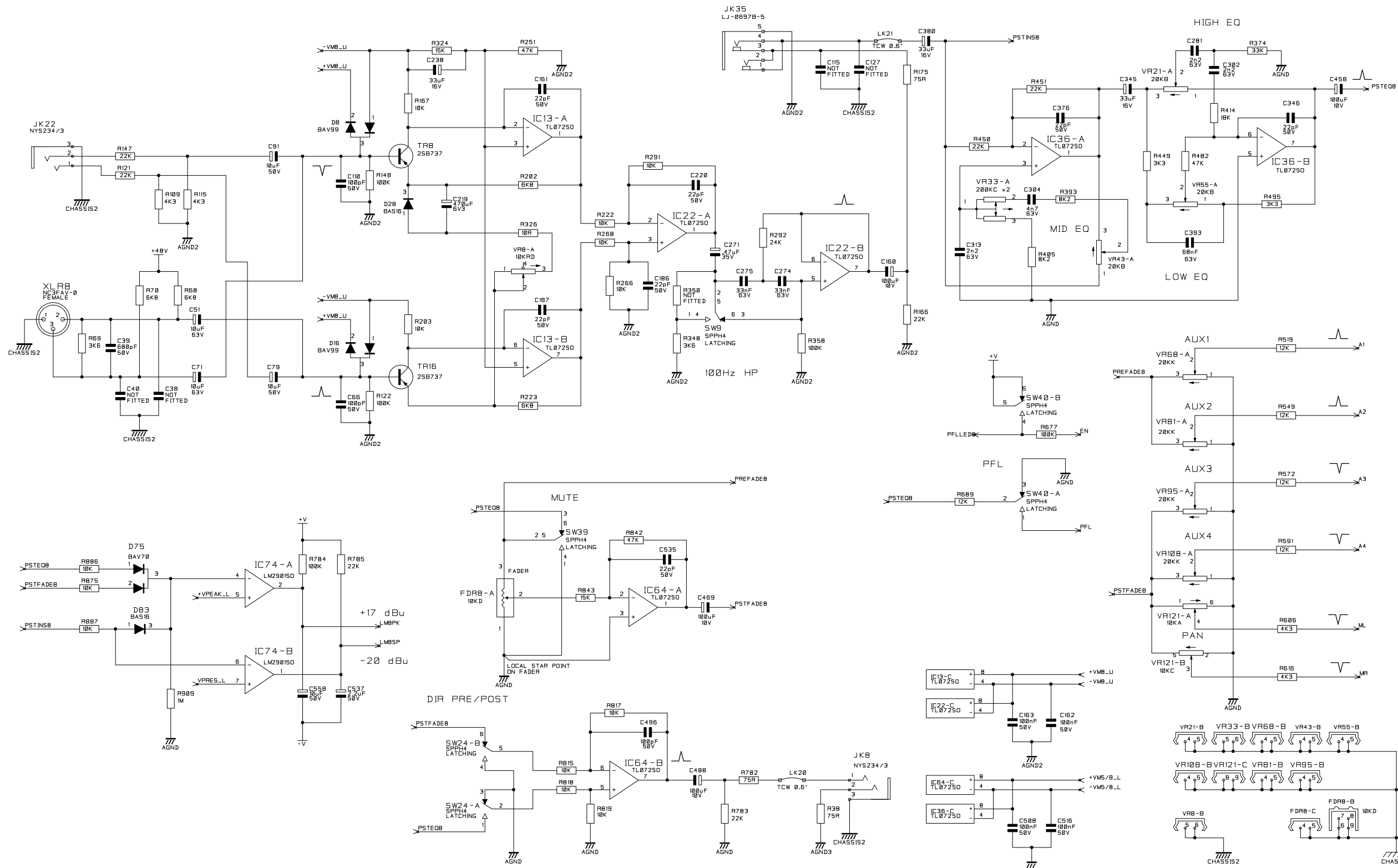


SOUNDCRAFT OWN THE COPYRIGHT OF THIS DRAWING WHICH IS NOT TO BE COPIED, REPRODUCED OR DISCLOSED, IN PART OR WHOLE TO A THIRD PARTY WITHOUT PRIOR WRITTEN PERMISSION.

SOUNDCRAFT
HARMAN INT. INDUSTRIES LTD.
CRANBORNE HOUSE,
CRANBORNE ROAD,
POTTERS BAR,
HERTS. EN9 3JN.
TEL: 01707 665000
FAX: 01707 660482

NOTES

DRN.	MSW	CN No.	INITIAL	DATE	ISSUE	TITLE
DATE	09-01-01	PRE-PROD	MSW	09-01-01	05A	SPIRIT M8 MONO INPUT CHANNEL 7
MASTER IF RED						DRG NO. ED4097-05A
						SHT. 8 OF 19

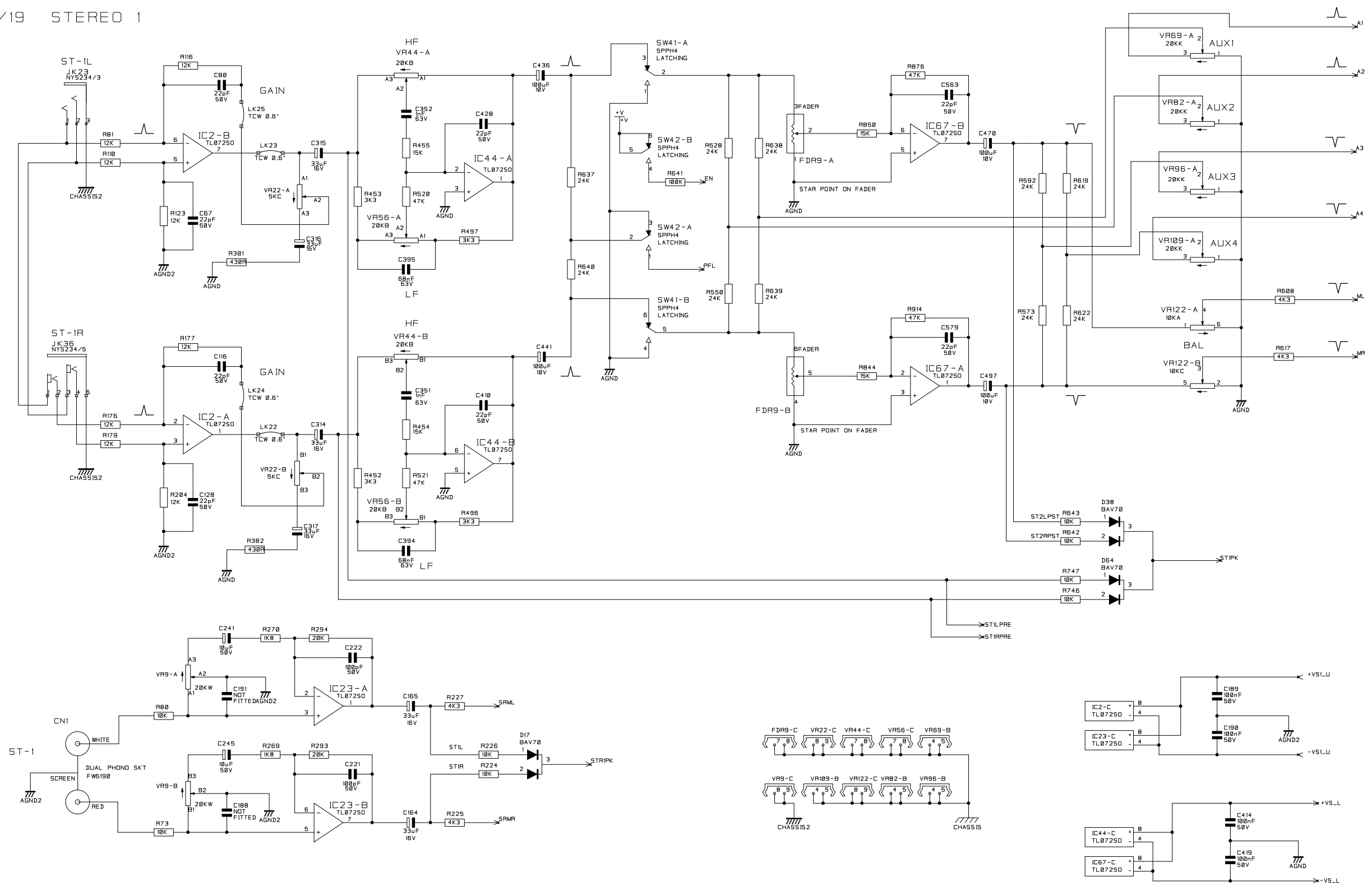


SOUNDCRAFT OWN THE COPYRIGHT OF THIS DRAWING WHICH IS NOT TO BE COPIED, REPRODUCED OR DISCLOSED, IN PART OR WHOLE TO A THIRD PARTY WITHOUT PRIOR WRITTEN PERMISSION.

SOUNDCRAFT
HARMAN INT. INDUSTRIES LTD.
CRANBORNE HOUSE,
CRANBORNE ROAD,
POTTERS BAR,
HERTS. EN9 3JN.
TEL: 01707 665000
FAX: 01707 660482

NOTES

DRN.	MSW	CN No.	INITIAL	DATE	ISSUE	TITLE
DATE	09-01-01	PRE-PROD	MSW	09-01-01	05A	SPiRiT M8 MONO INPUT CHANNEL 8
MASTER IF RED						DRG NO. ED4097-05A
						SHT. 9 OF 19



SOUNDCRAFT OWN THE COPYRIGHT OF THIS DRAWING WHICH IS NOT TO BE COPIED, REPRODUCED OR DISCLOSED, IN PART OR WHOLE TO A THIRD PARTY WITHOUT PRIOR WRITTEN PERMISSION.

SOUNDCRAFT
HARMAN INT. INDUSTRIES LTD.
CRANBORNE HOUSE,
CRANBORNE ROAD,
POTTERS BAR,
HERTS. EN6 3JN.
TEL: 01707 665000
FAX: 01707 660482

NOTES

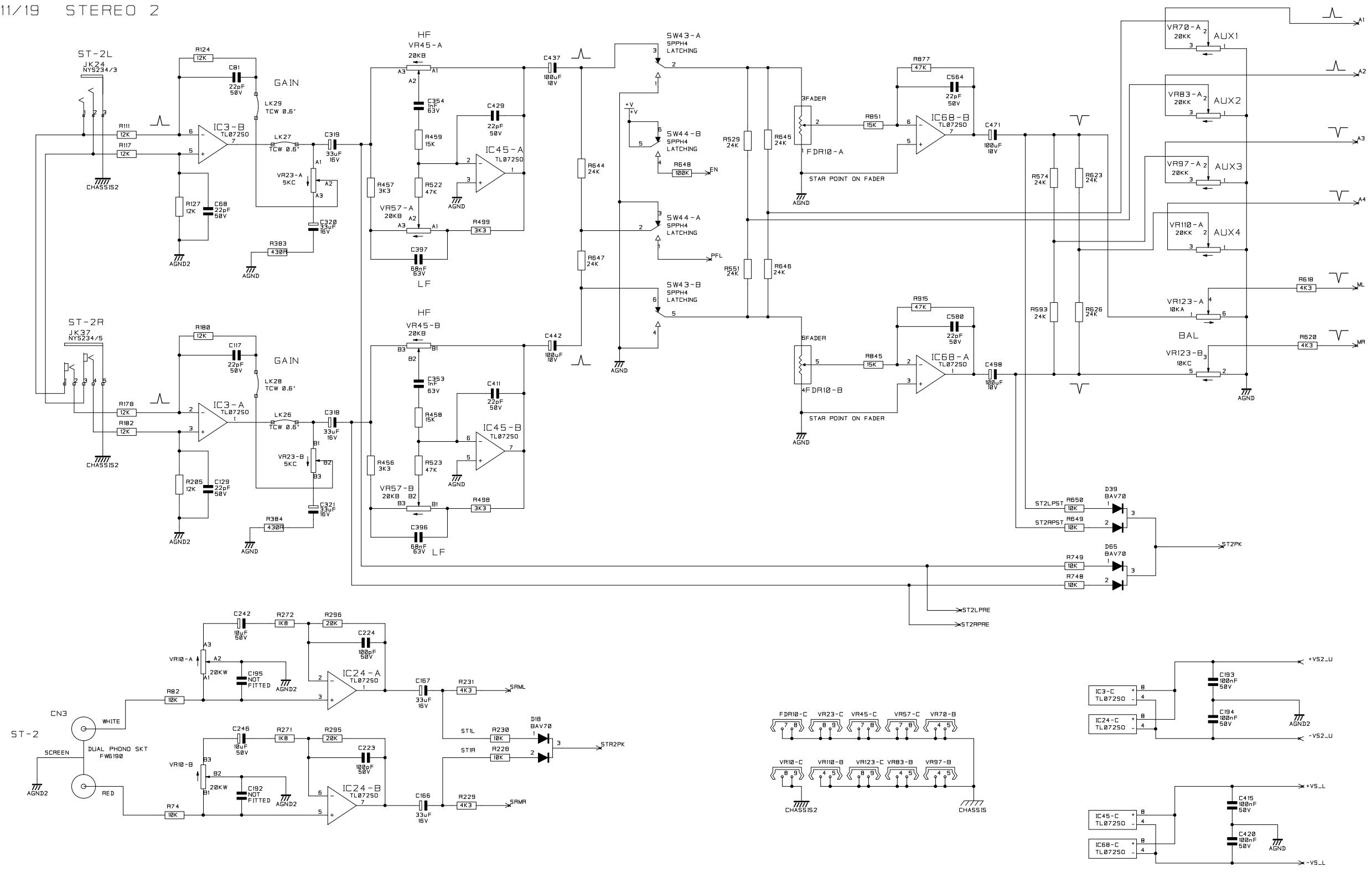
DRN.	MSW	CN No.	INITIAL	DATE	ISSUE	TITLE
DATE	09-01-01	PRE-PROD	MSW	09-01-01	05A	SPIRIT M8 STEREO INPUT 1
MASTER IF RED						DRG NO. ED4097-05A

SHT. 10 OF 19

DRG NO.

ED4097

11/19 STEREO 2



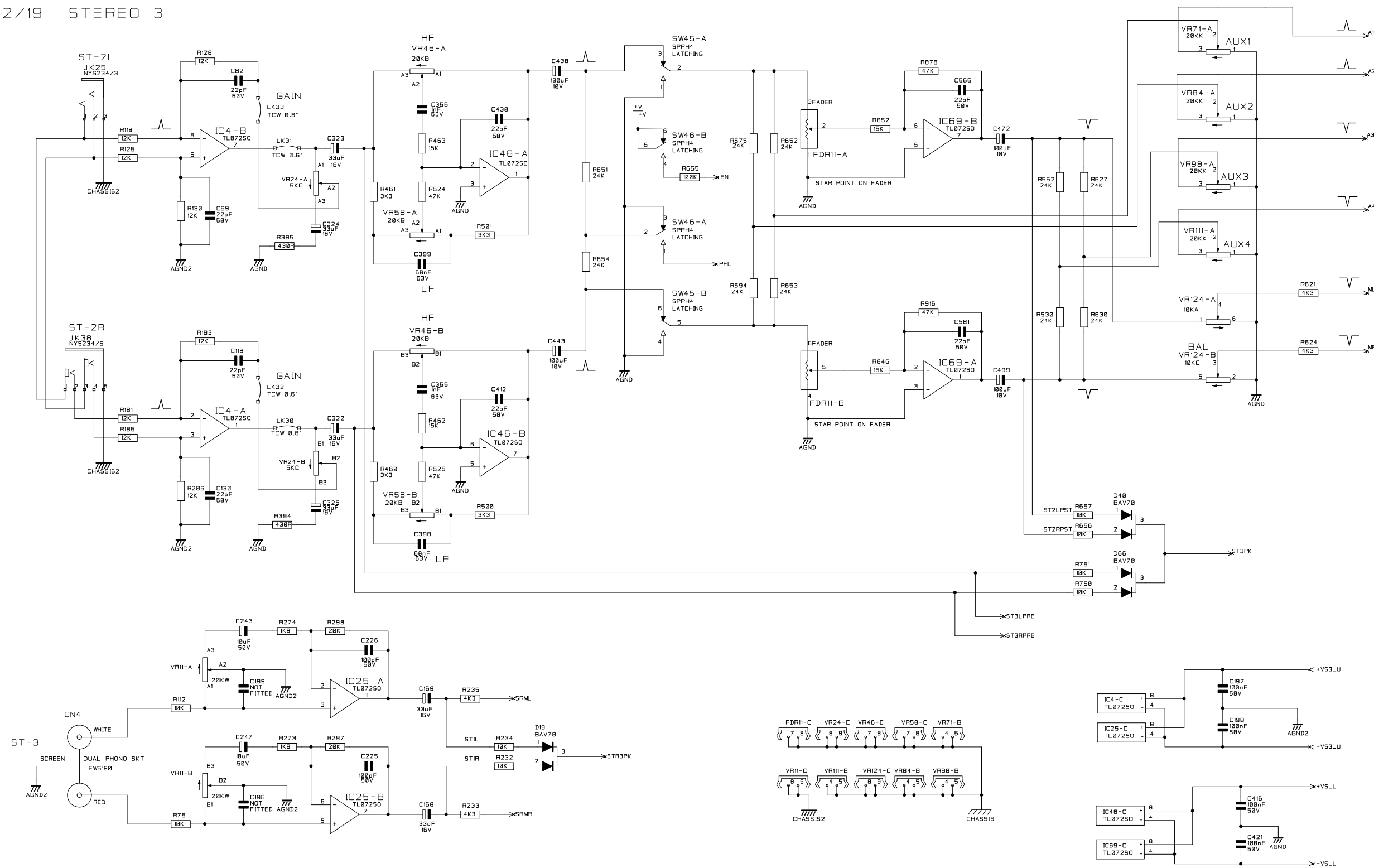
SOUNDCRAFT OWN THE COPYRIGHT OF THIS DRAWING WHICH IS NOT TO BE COPIED, REPRODUCED OR DISCLOSED, IN PART OR WHOLE TO A THIRD PARTY WITHOUT PRIOR WRITTEN PERMISSION.

SOUNDCRAFT
HARMAN INT. INDUSTRIES LTD.
CRANBORNE HOUSE,
CRANBORNE ROAD,
POTTERS BAR,
HERTS. EN9 3JN.
TEL: 01707 665000
FAX: 01707 660482

NOTES

DRN.	MSW	CN No.	INITIAL	DATE	ISSUE	TITLE
DATE	09-01-01	PRE-PROD	MSW	09-01-01	05A	SPIRIT M8 STEREO INPUT 2
MASTER IF RED						DRG NO. ED4097-05A

SHT. 11
OF 19



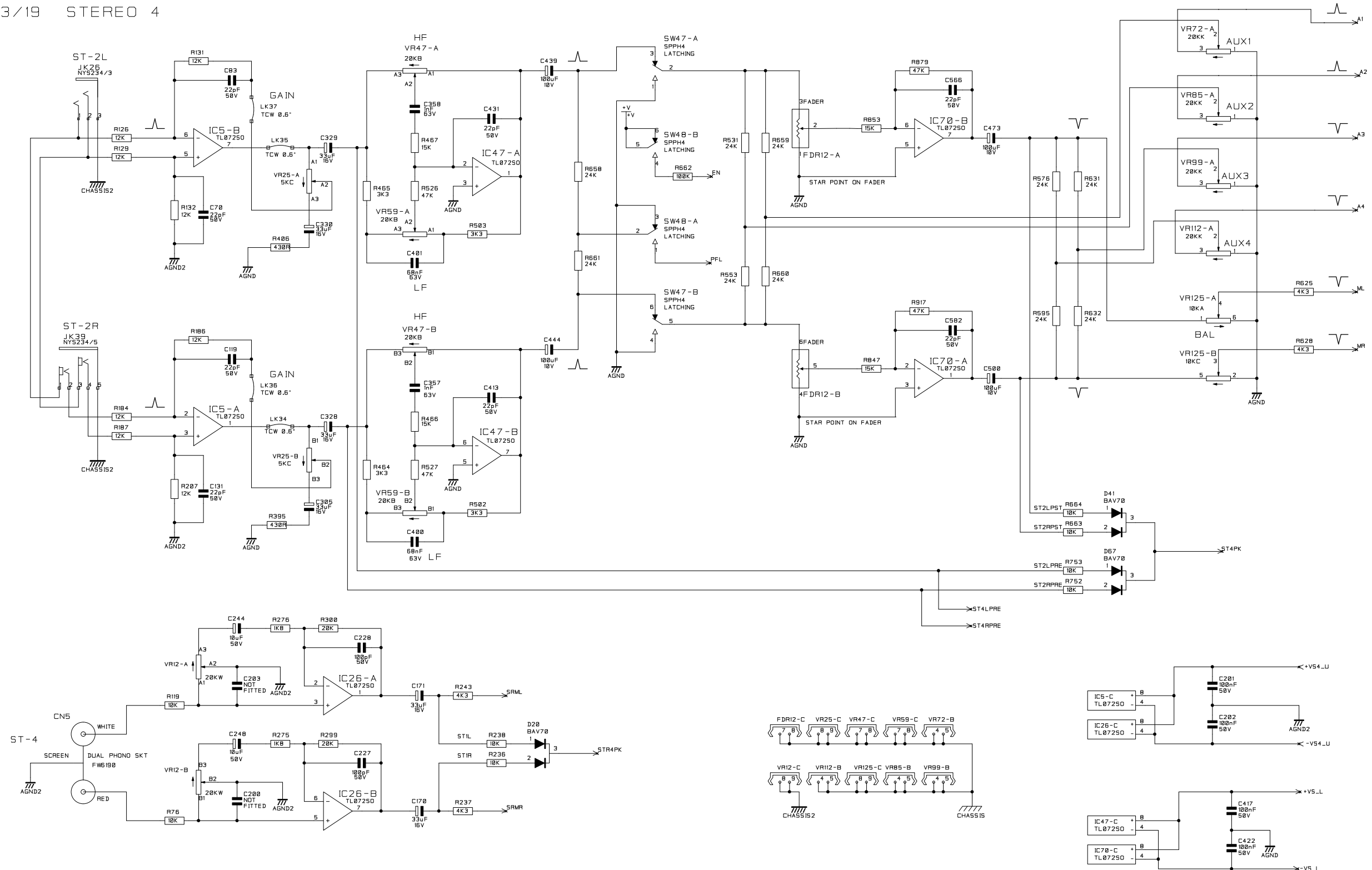
SOUNDCRAFT OWN THE COPYRIGHT OF THIS DRAWING WHICH IS NOT TO BE COPIED, REPRODUCED OR DISCLOSED, IN PART OR WHOLE TO A THIRD PARTY WITHOUT PRIOR WRITTEN PERMISSION.

SOUNDCRAFT
HARMAN INT. INDUSTRIES LTD.
CRANBORNE HOUSE,
CRANBORNE ROAD,
POTTERS BAR,
HERTS. EN9 3JN.
TEL: 01707 665000
FAX: 01707 660482

NOTES

DRN.	MSW	CN No.	INITIAL	DATE	ISSUE	TITLE
DATE	09-01-01	PRE-PROD	MSW	09-01-01	05A	STEREO INPUT 3
MASTER IF RED						

DRG NO.	SHT. 12 OF 19
ED4097-05A	

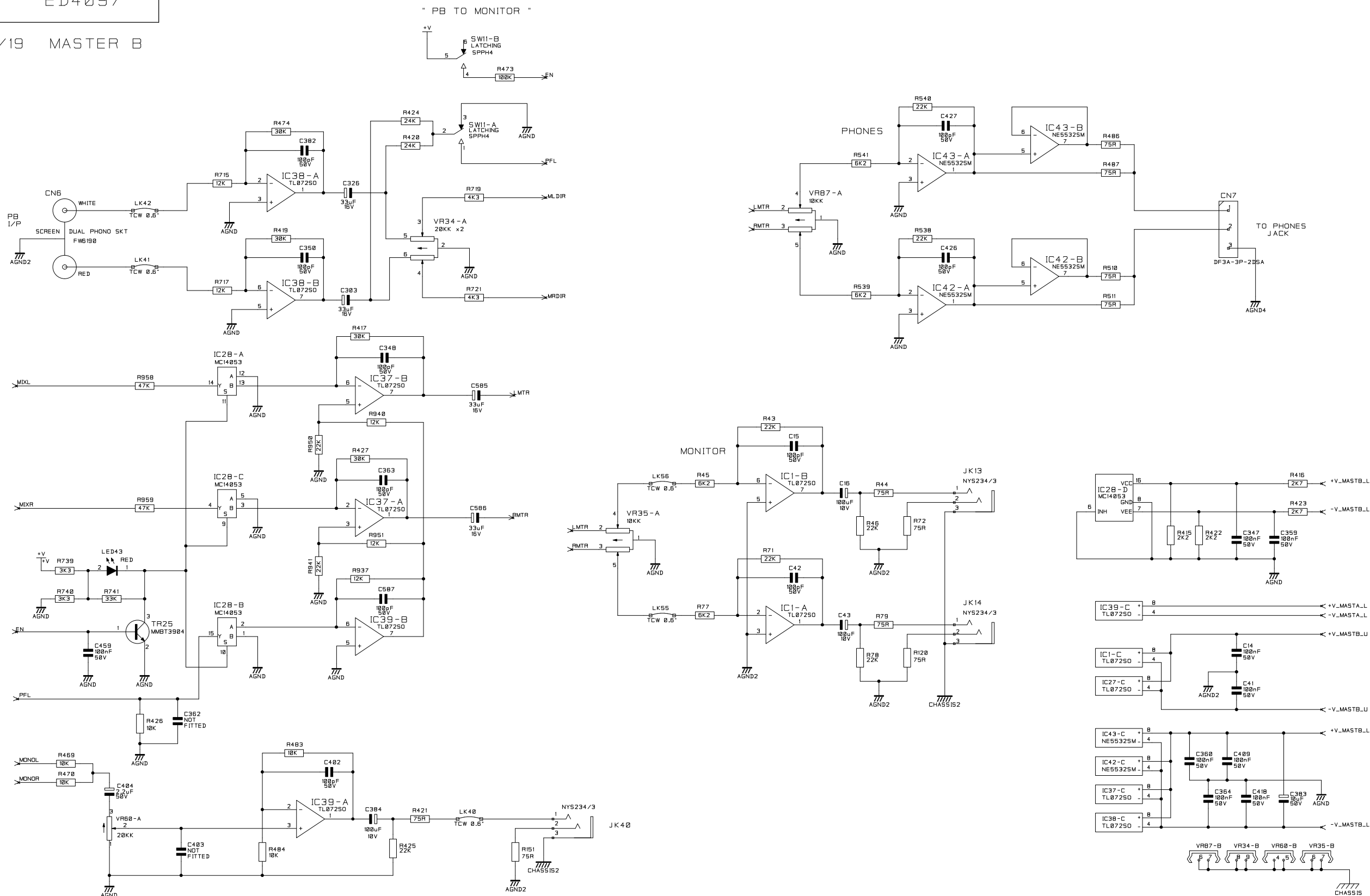


SOUNDCRAFT OWN THE COPYRIGHT OF THIS DRAWING WHICH IS NOT TO BE COPIED, REPRODUCED OR DISCLOSED, IN PART OR WHOLE TO A THIRD PARTY WITHOUT PRIOR WRITTEN PERMISSION.

SOUNDCRAFT
HARMAN INT. INDUSTRIES LTD.
CRANBORNE HOUSE,
CRANBORNE ROAD,
POTTERS BAR,
HERTS. EN9 3JN.
TEL: 01707 665000
FAX: 01707 660482

NOTES

DRN.	MSW	CN No.	INITIAL	DATE	ISSUE	TITLE	
		PRE-PROD	MSW	09-01-01	05A		SPIRIT M8 STEREO INPUT 4
	DATE	09-01-01					
MASTER IF RED						DRG NO. ED4097-05A	



SOUNDCRAFT OWN THE COPYRIGHT OF THIS DRAWING WHICH IS NOT TO BE COPIED, REPRODUCED OR DISCLOSED, IN PART OR WHOLE TO A THIRD PARTY WITHOUT PRIOR WRITTEN PERMISSION.

SOUNDCRAFT
HARMAN INT. INDUSTRIES LTD.
CRANBORNE HOUSE,
CRANBORNE ROAD,
POTTERS BAR,
HERTS. EN9 3JN.
TEL: 01707 665000
FAX: 01707 660402

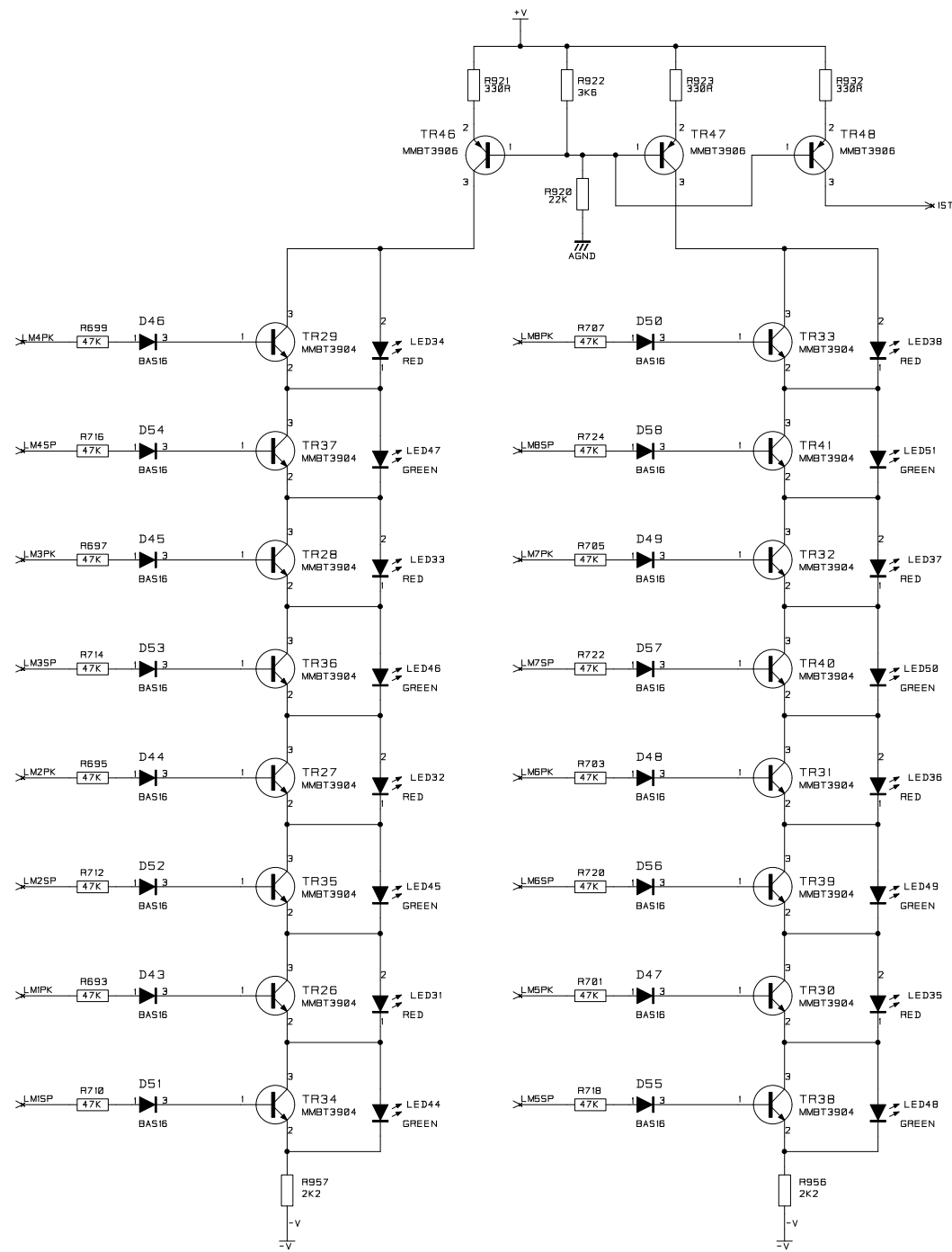
NOTES

DRN.	MSW	CN No.	INITIAL	DATE	ISSUE	TITLE
DATE	09-01-01	PRE-PROD	MSW	09-01-01	05A	SPIRIT M8 MASTER B
MASTER IF RED						DRG NO. ED4097-05A
						SHT.15 OF 19

DRG NO.

ED4097

16/19 MONO PEAK LEDS



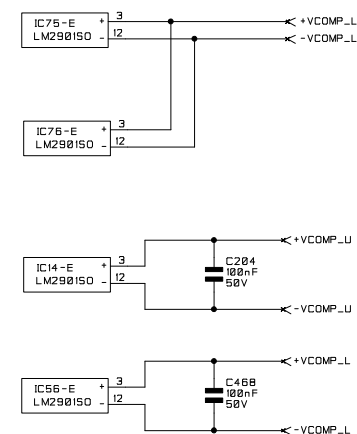
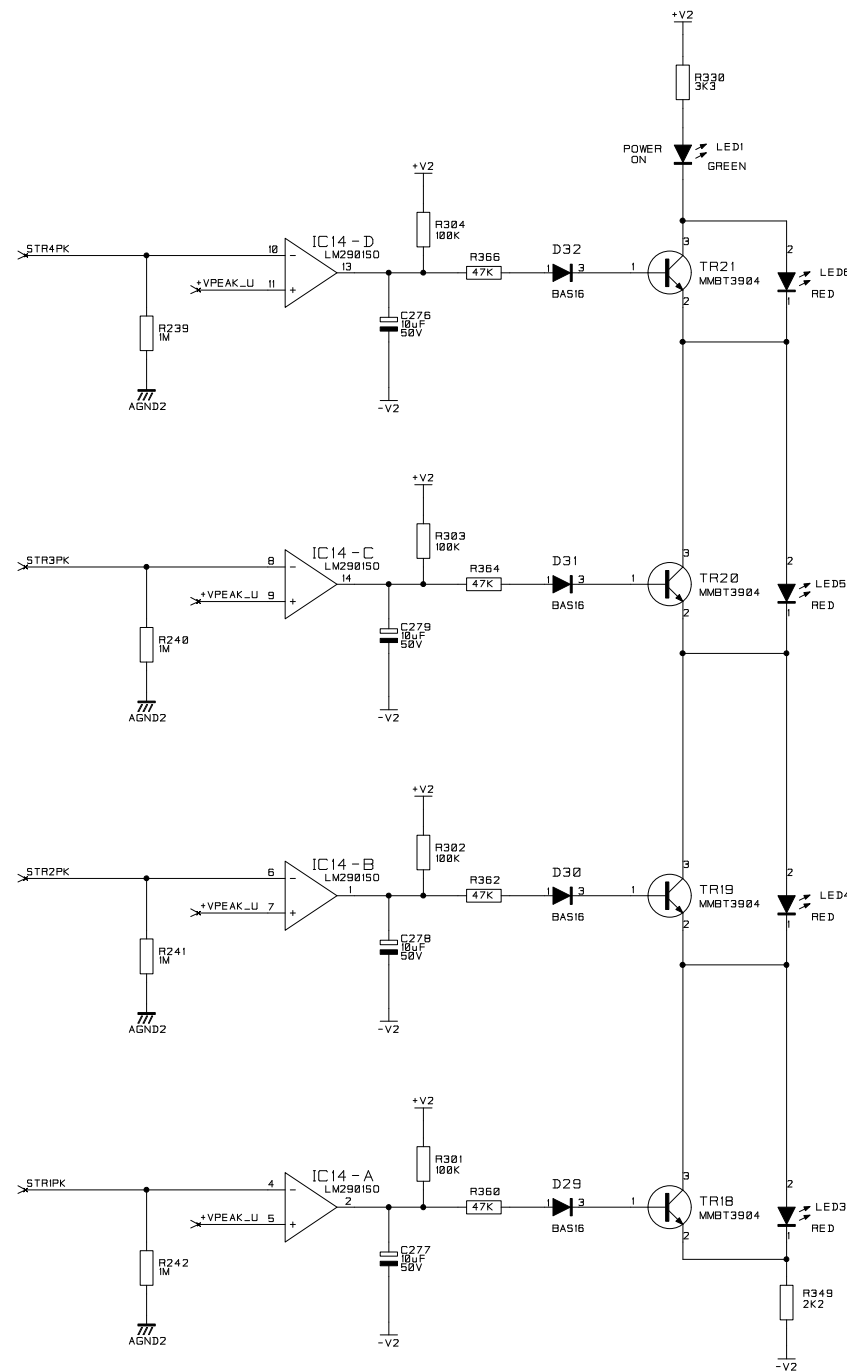
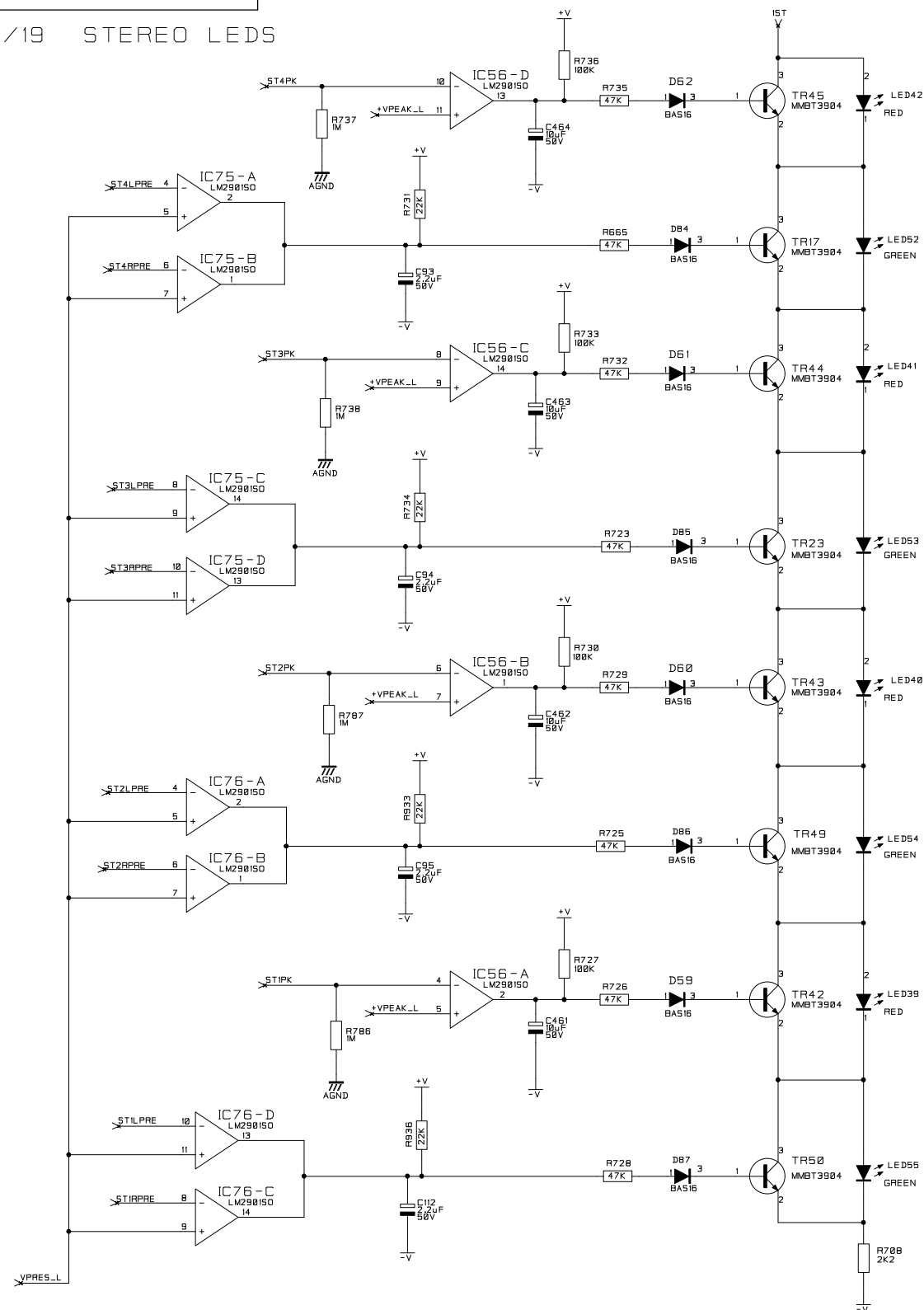
SOUNDCRAFT OWN THE COPYRIGHT OF THIS DRAWING WHICH IS NOT TO BE COPIED, REPRODUCED OR DISCLOSED, IN PART OR WHOLE TO A THIRD PARTY WITHOUT PRIOR WRITTEN PERMISSION.

SOUNDCRAFT
HARMAN INT. INDUSTRIES LTD.
CRANBORNE HOUSE,
CRANBORNE ROAD,
POTTERS BAR,
HERTS. EN6 3JN.
TEL: 01707 665000
FAX: 01707 660482

NOTES

DRN.	MSW	CN No.	INITIAL	DATE	ISSUE
DATE	09-01-01	PRE-PROD	MSW	09-01-01	05A
MASTER IF RED					

TITLE	SPIRIT M8 MONO PEAK LEDS	
DRG NO.	ED4097-05A	SHT.16 OF 19

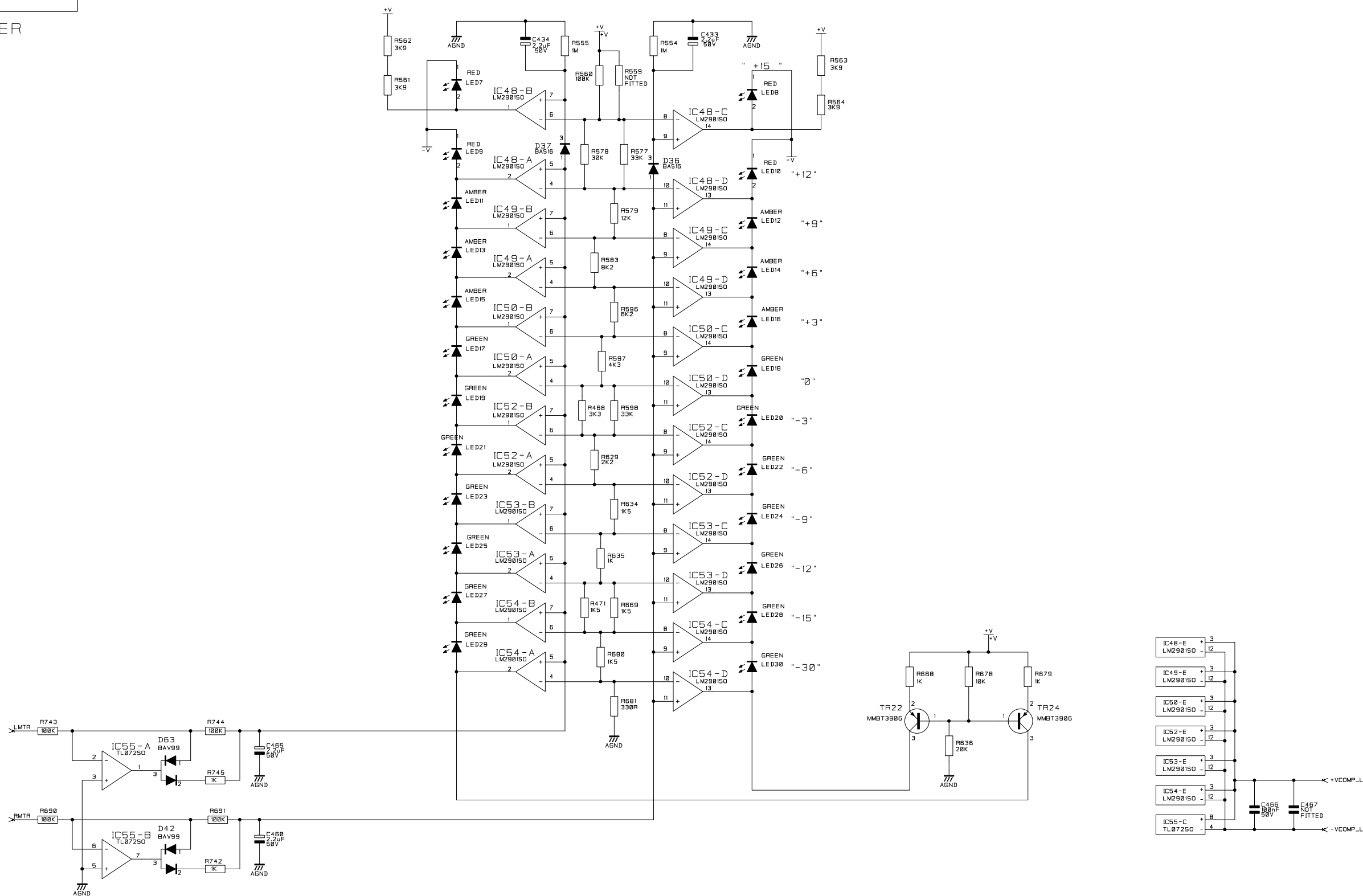


SOUNDCRAFT OWN THE COPYRIGHT OF THIS DRAWING WHICH IS NOT TO BE COPIED, REPRODUCED OR DISCLOSED, IN PART OR WHOLE TO A THIRD PARTY WITHOUT PRIOR WRITTEN PERMISSION.

SOUNDCRAFT
HARMAN INT. INDUSTRIES LTD.
CRANBORNE HOUSE,
CRANBORNE ROAD,
POTTERS BAR,
HERTS. EN9 3JN.
TEL: 01707 665000
FAX: 01707 660402

NOTES

DRN.	MSW	CN No.	INITIAL	DATE	ISSUE	TITLE
DATE	09-01-01	PRE-PROD	MSW	09-01-01	05A	SPIRIT M8 STEREO LEDS
MASTER IF RED						DRG NO. ED4097-05A
						SHT.17 OF 19

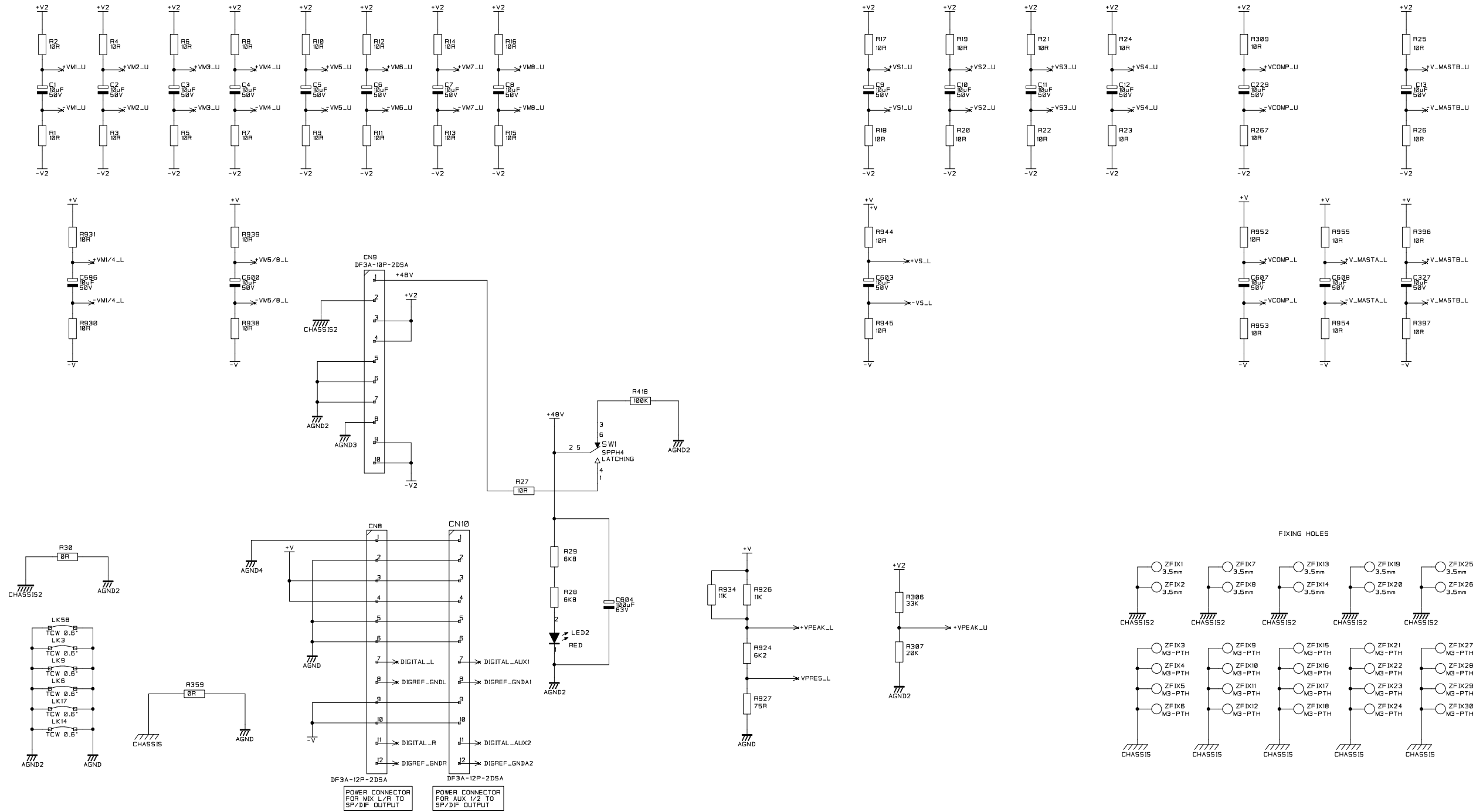


SOUNDCRAFT OWN THE COPYRIGHT OF THIS DRAWING WHICH IS NOT TO BE COPIED, REPRODUCED OR DISCLOSED, IN PART OR WHOLE TO A THIRD PARTY WITHOUT PRIOR WRITTEN PERMISSION.

SOUNDCRAFT
HARMAN INT. INDUSTRIES LTD.
CRANBORNE HOUSE,
CRANBORNE ROAD,
POTTERS BAR,
HERTS. EN6 3JN.
TEL: 01707 665000
FAX: 01707 660402

NOTES

DRN.	MSW	CN No.	INITIAL	DATE	ISSUE	TITLE
DATE	09-01-01	PRE-PROD	MSW	09-01-01	05A	SPiRiT M8 METER
MASTER IF RED						DRG NO. ED4097-05A
						SHT.18 OF 19



SOUNDCRAFT OWN THE COPYRIGHT OF THIS DRAWING WHICH IS NOT TO BE COPIED, REPRODUCED OR DISCLOSED, IN PART OR WHOLE TO A THIRD PARTY WITHOUT PRIOR WRITTEN PERMISSION.

SOUNDCRAFT
HARMAN INT. INDUSTRIES LTD.
CRANBORNE HOUSE,
CRANBORNE ROAD,
POTTERS BAR,
HERTS. EN9 3JN.
TEL: 01707 665000
FAX: 01707 660402

NOTES

DRN.	MSW	CN No.	INITIAL	DATE	ISSUE	TITLE
DATE	09-01-01	PRE-PROD	MSW	09-01-01	05A	SPIRIT M8 POWER
MASTER IF RED						DRG NO. ED4097-05A
						SHT.19 OF 19

