



SPIRIT POWERSTATION

By Soundcraft

TYPICAL SPECIFICATIONS

T.H.D.

Mic, Line or stereo input to
Main Outputs, +20dB at outputs,
any input gain < 0.009%

Crosstalk

Fader Attenuation	100dB @1kHz
Aux Send Attenuation	80dB @1kHz
Stereo Separation	70dB @1kHz

Noise

Measured RMS, 22Hz to 22kHz bandwidth

Aux Outputs	-83dBu
Main Outputs	-80dBu

E.I.N.

Microphone Input, Maximum Gain,
terminated 150R -129dBu

Max. Gain to Main Outputs

Mic Input	74dB
Line Input	54dB
Stereo Input	32dB
Stereo Return & 2Track Return	12dB

Maximum Input Levels

Mic Input	+21dBu
Line Input	> 30dBu
Stereo Input	+26dBu
Stereo Return & 2Track Return	> 30dBu

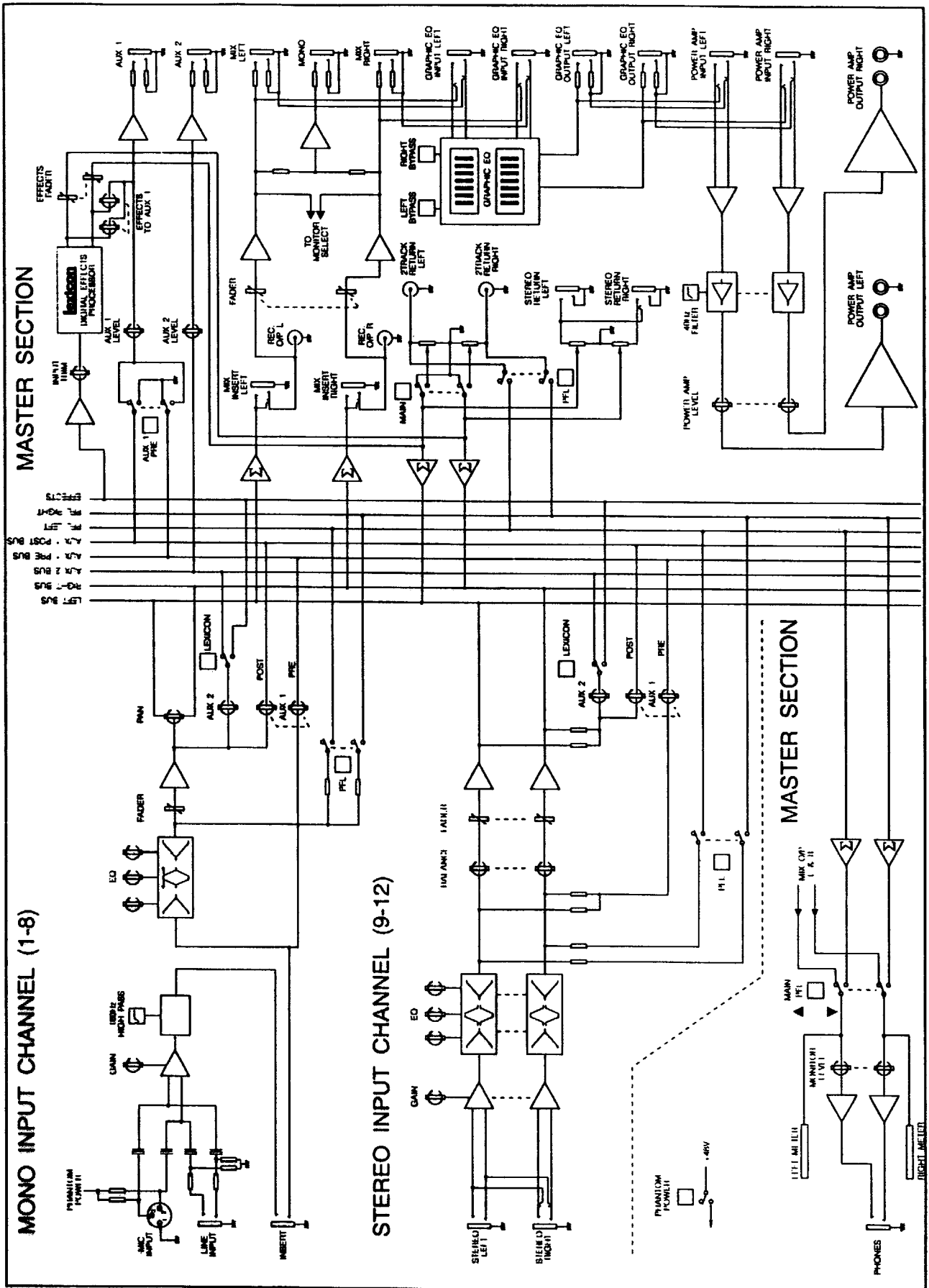
Maximum Output Levels

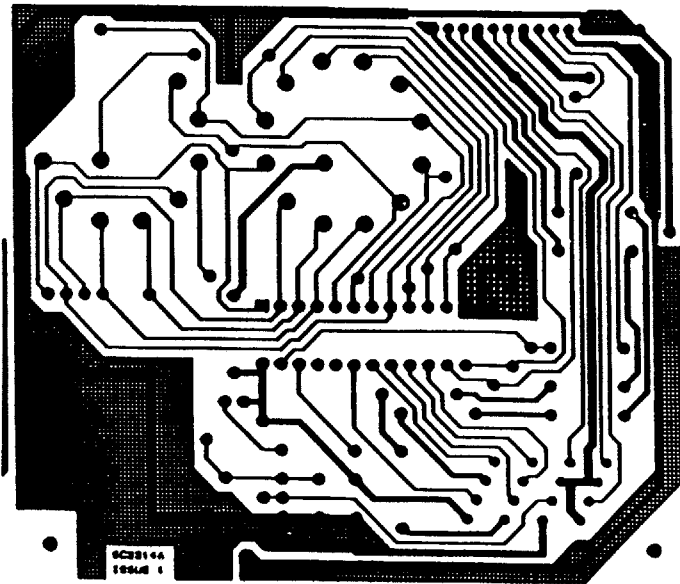
Any Output +22dBu



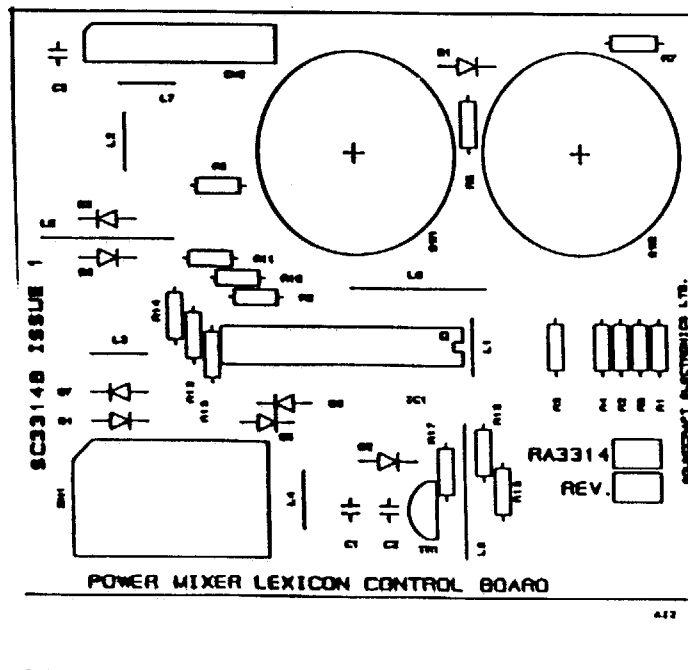
SPIRIT POWERSTATION

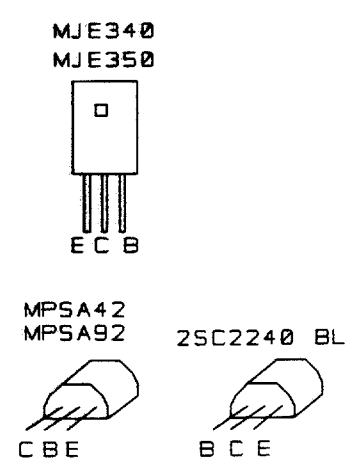
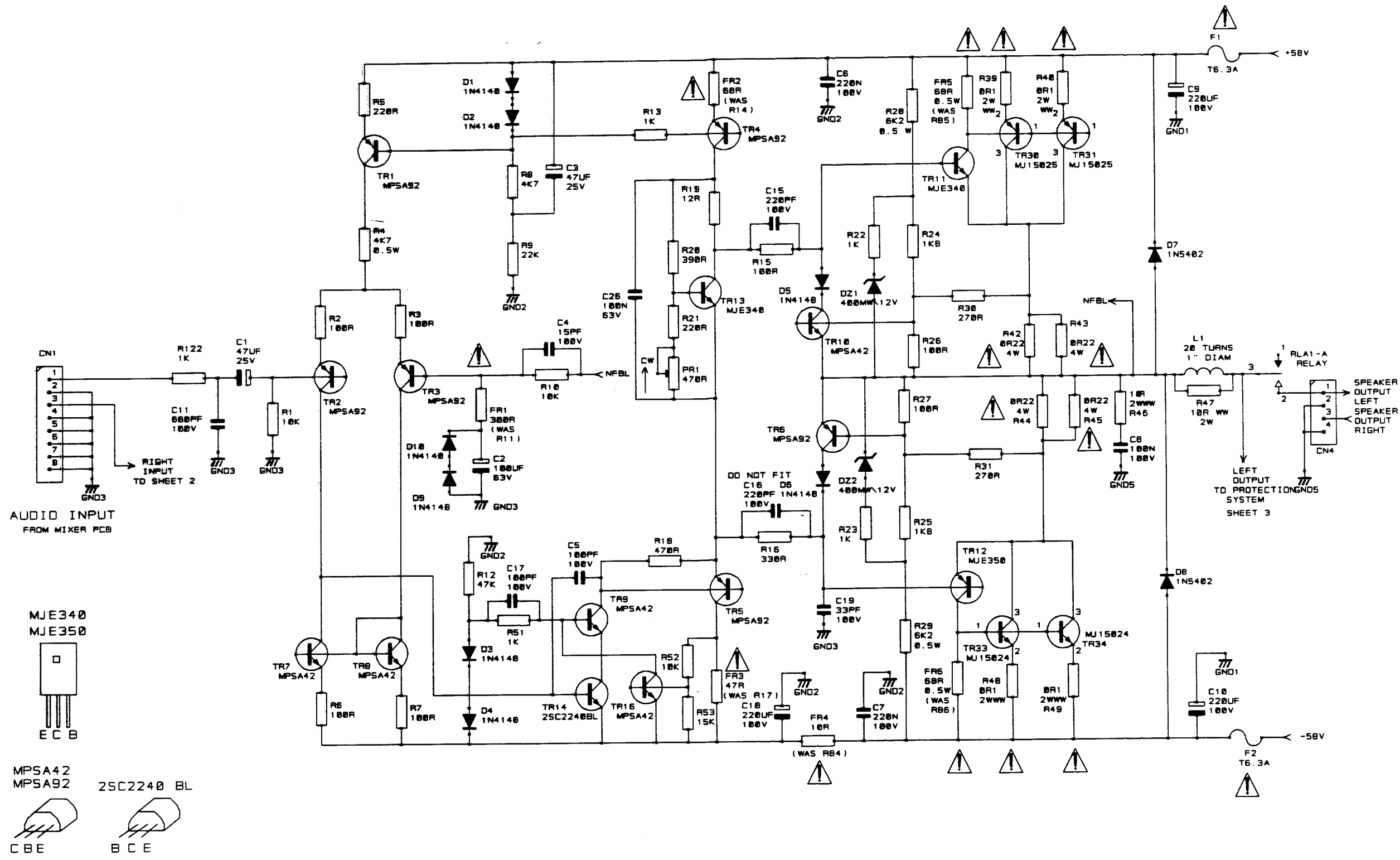
By Soundcraft





SC3314A ISSUE 1 17-8-94
POWER MIXER LEXICON CONTROL BOARD





SOUNDCRAFT OWNS THE COPYRIGHT OF THIS DRAWING WHICH IS NOT TO BE COPIED, REPRODUCED OR DISCLOSED, IN PART OR IN WHOLE TO A THIRD PARTY WITHOUT WRITTEN PERMISSION.

NOTES

NOTES
1) WHEN SERVICING, FUSIBLE RESISTORS (DESIGNATED FR) MUST BE REPLACED WITH SAME TYPE.

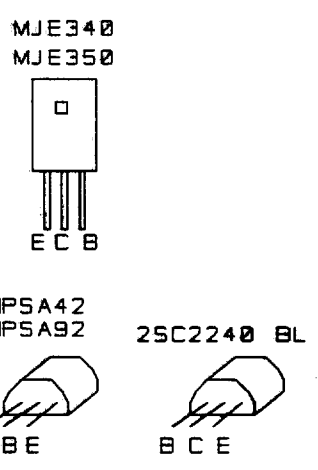
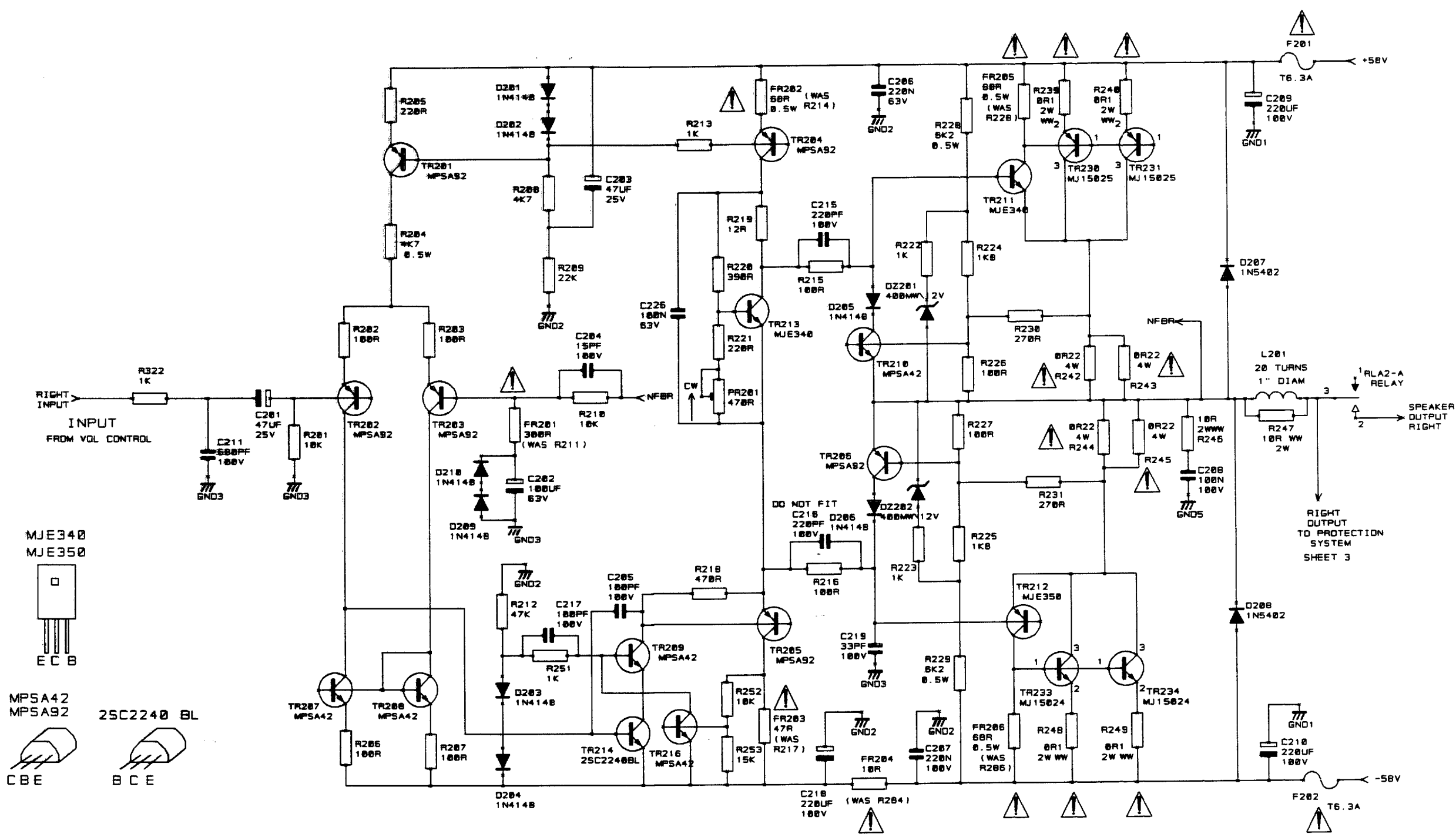
SOUNDCRAFT
HARMAN INT. INDUSTRIES LTD.
CRANBORNE HOUSE,
CRANBORNE ROAD,
POTTERS BAR,
HERTS., EN6 3JN.
TEL: 01787 665888
FAX: 01787 660482

DRN. 05

TITLE STEREO POWER AMP. LEFT CHAN.

DRG NO. ED3312A

SHT. 1 OF 3



SOUNDCRAFT OWNS THE COPYRIGHT OF THIS DRAWING WHICH IS NOT TO BE COPIED, REPRODUCED OR DISCLOSED, IN PART OR IN WHOLE TO A THIRD PARTY WITHOUT WRITTEN PERMISSION.

NOTES

NOTES
 1) RESISTORS DESIGNATED FR MUST BE REPLACED WITH CORRECT FUSIBLE RESISTOR WHEN SERVICING

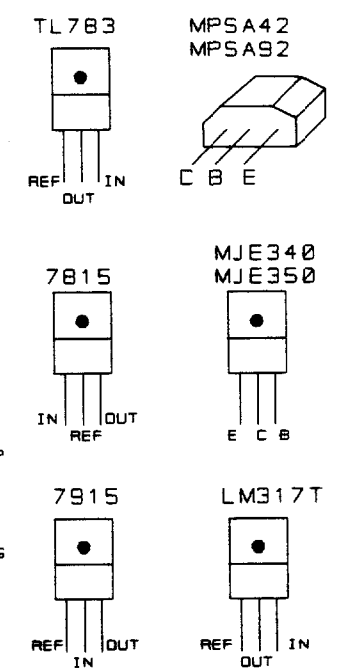
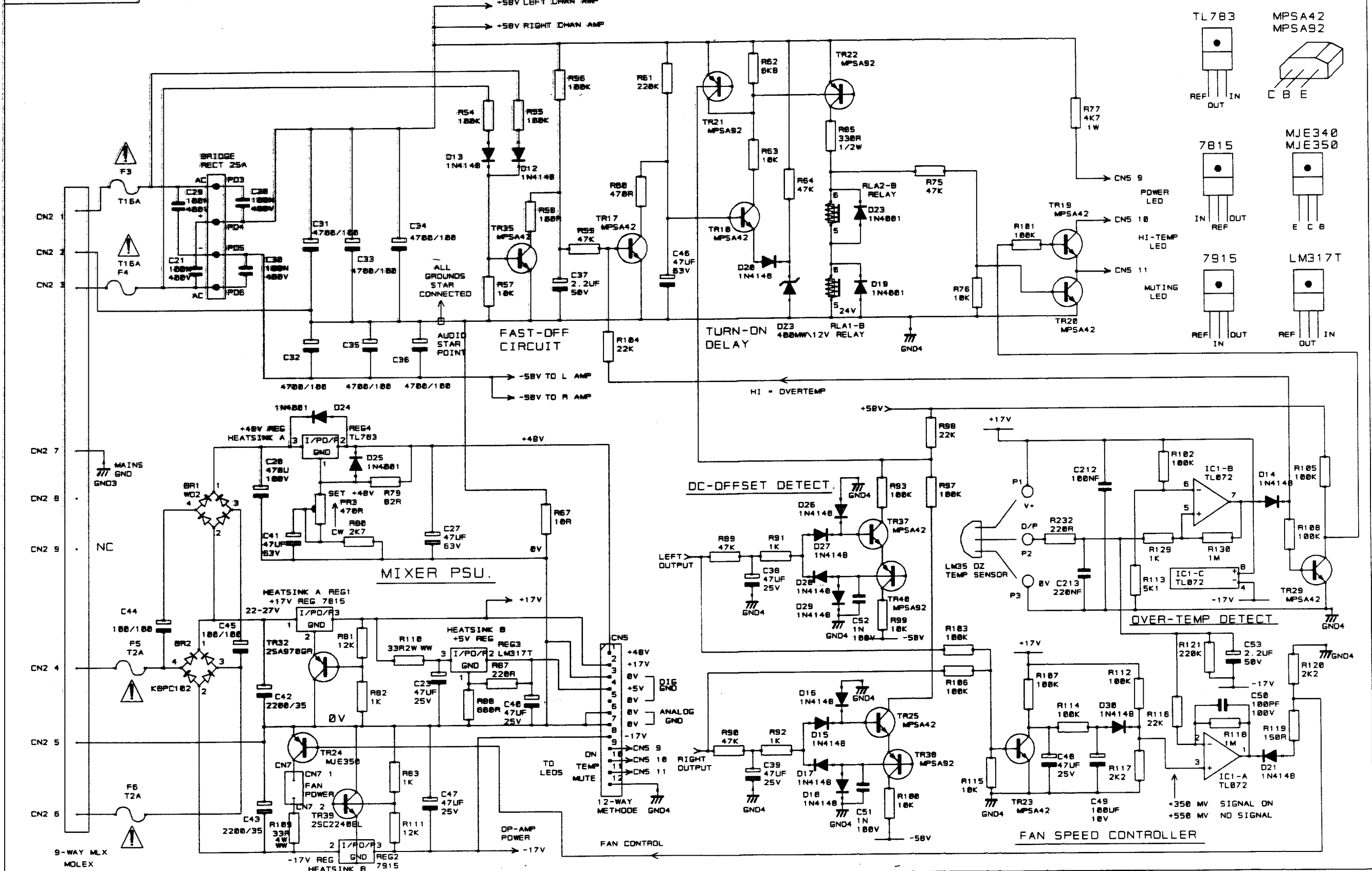
SOUNDCRAFT
 HARMAN INT. INDUSTRIES LTD.
 CRANBORNE HOUSE,
 CRANBORNE ROAD,
 POTTERS BAR,
 HERTS., EN6 3JN.
 TEL: 01707 665000
 FAX: 01707 660482

DRN. OS

TITLE STEREO POWER AMP. RIGHT CHAN
 DRG NO. ED3312B
 SHT. 2 OF 3

INITIAL	ISSUE	DATE
ML	7	17-10-95

DRG NO. ED 3312C



SOUNDCRAFT OWNS THE COPYRIGHT OF THIS DRAWING WHICH IS NOT TO BE COPIED, REPRODUCED OR DISCLOSED, IN PART OR IN WHOLE TO A THIRD PARTY WITHOUT WRITTEN PERMISSION.

NOTES

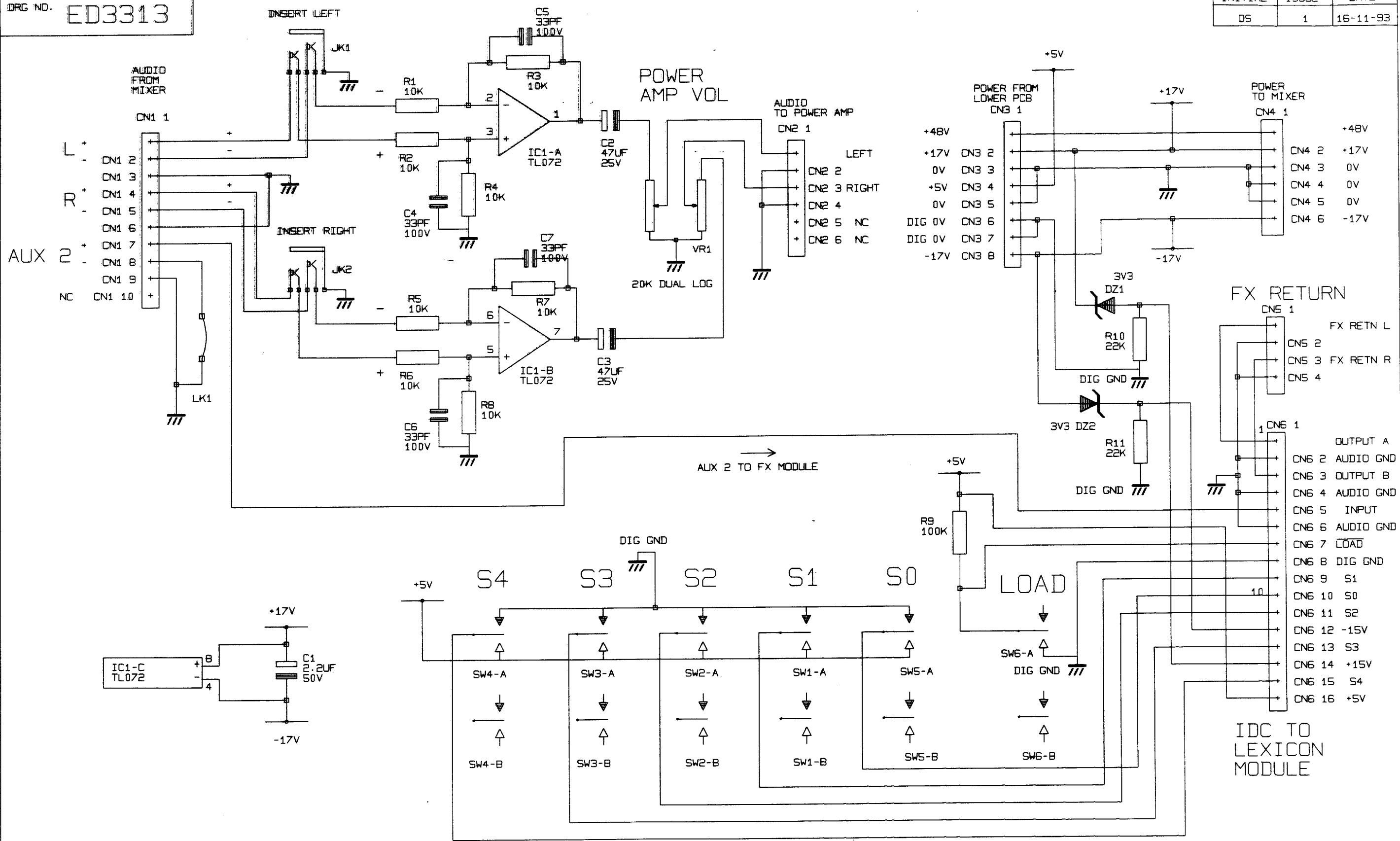
NOTES

SOUNDCRAFT
HARMAN INT. INDUSTRIES LTD.
CRANBORNE HOUSE,
CRANBORNE ROAD,
POTTERS BAR,
HERTS., EN6 3JN.
TEL: 01707 665000
FAX: 01707 660482

DRN. DS
TITLE STEREO POWER AMPLIFIER PROTECTION SYSTEM
DRG NO. ED 3312C
SHT. 3 OF 3

DRG NO. ED3313

INITIAL	ISSUE	DATE
DS	1	16-11-93



SOUNDCRAFT ELECTRONICS LTD OWNS THE COPYRIGHT OF THIS DRAWING WHICH IS NOT TO BE COPIED, REPRODUCED OR DISCLOSED, IN PART OR IN WHOLE TO A THIRD PARTY WITHOUT WRITTEN PERMISSION.

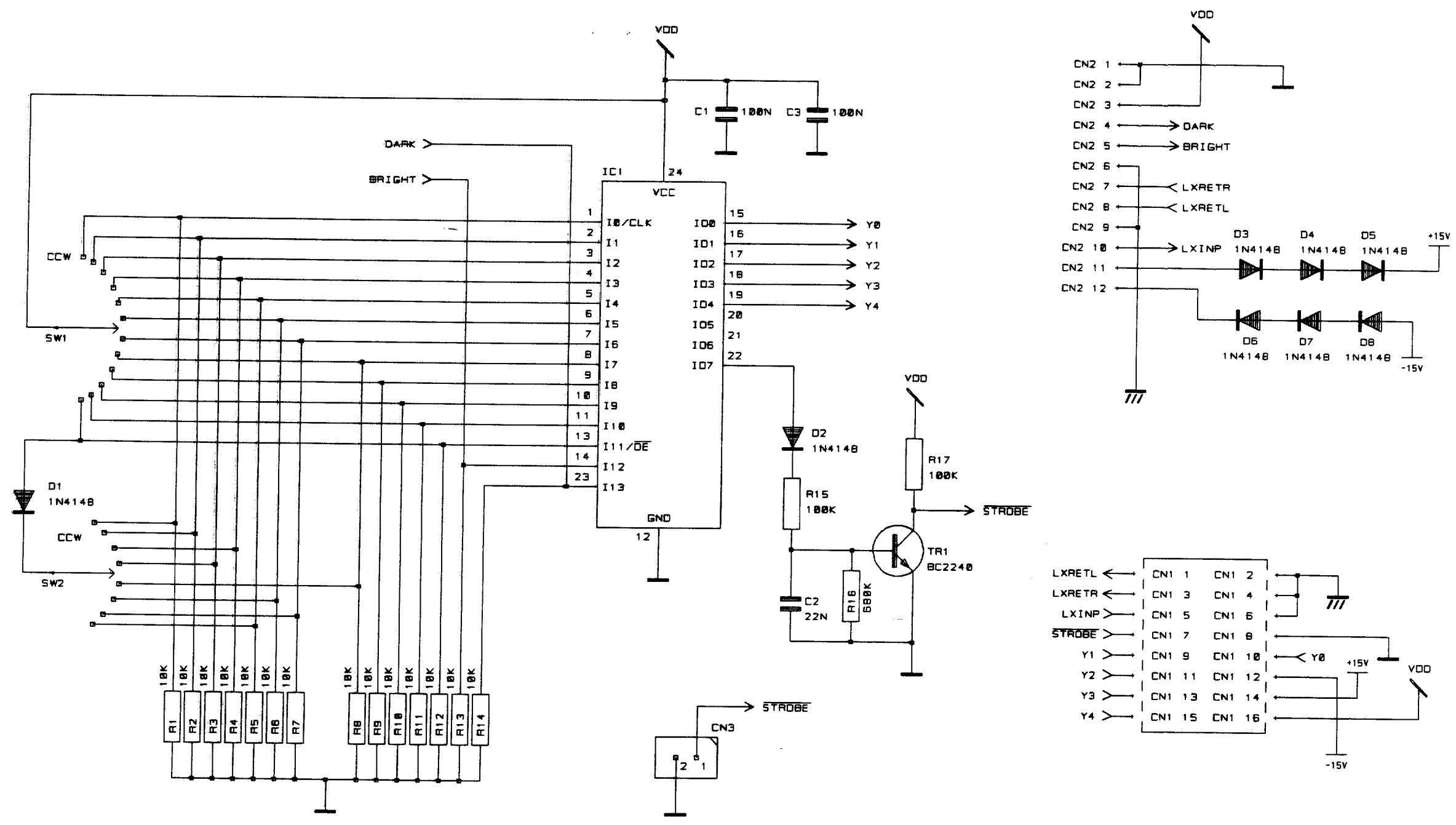
NOTES

SOUNDCRAFT ELECTRONICS LTD.
CRANBORNE HOUSE,
CRANBORNE INDUSTRIAL ESTATE,
CRANBORNE ROAD,
POTTERS BAR,
HERTS., ENG 3JN.
TEL: 0707 665000
FAX: 0707 660482

DRN. DS

TITLE POWERED MIXER ADAPTER BOARD.
DRG NO. ED3313

INITIAL	ISSUE	DATE
DCB	2	7/2/95



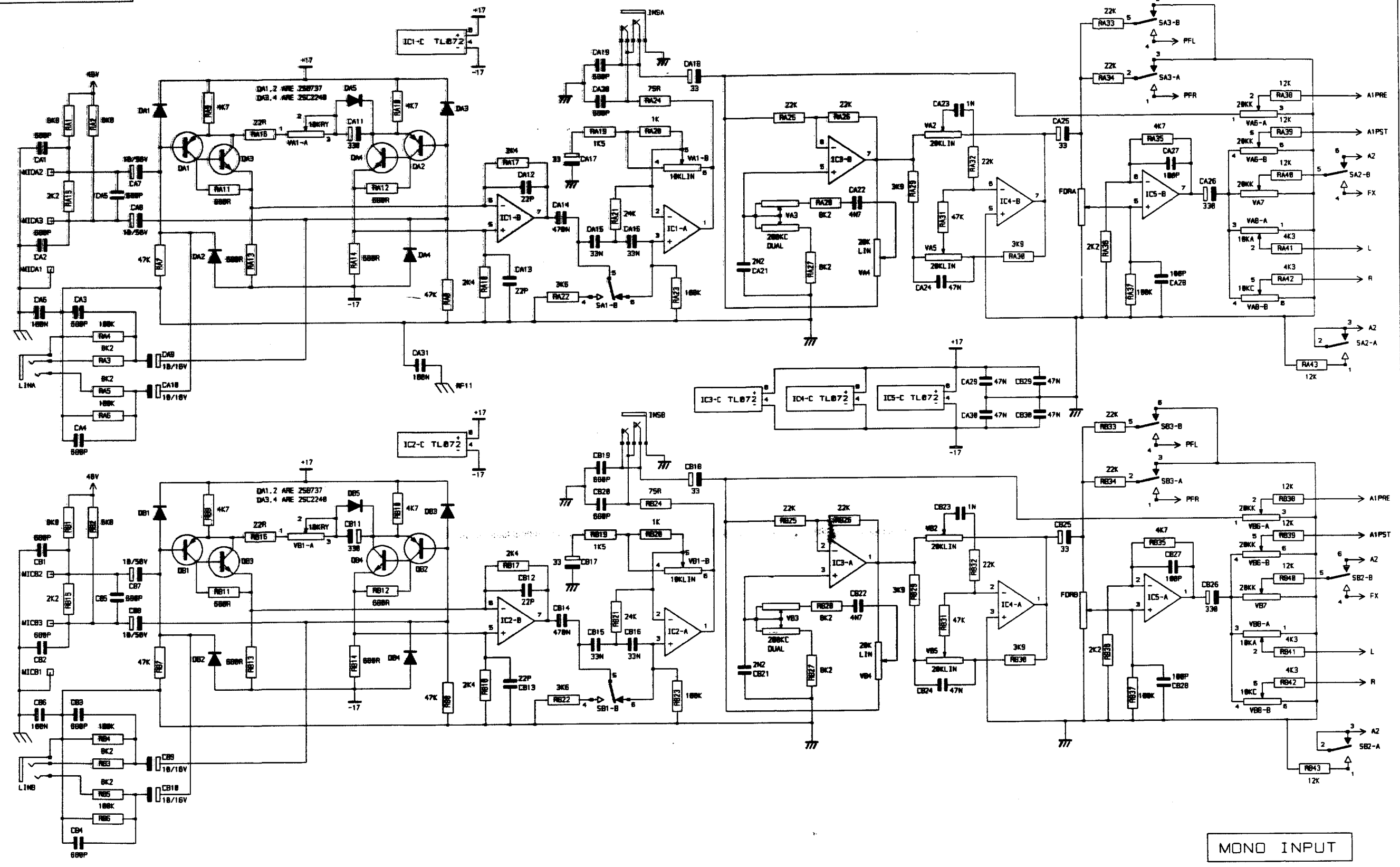
SOUNDCRAFT ELECTRONICS LTD OWNS THE COPYRIGHT OF THIS DRAWING WHICH IS NOT TO BE COPIED, REPRODUCED OR DISCLOSED, IN PART OR IN WHOLE TO A THIRD PARTY WITHOUT WRITTEN PERMISSION.

NOTES

SOUNDCRAFT ELECTRONICS LTD. CRANBORNE HOUSE, CRANBORNE INDUSTRIAL ESTATE, CRANBORNE ROAD, POTTERS BAR, HERTS., EN6 3JN. TEL: 0707 665000 FAX: 0707 660482

DRN. GB

TITLE POWER STATION LEXICON CONTROL BOARD
 DRG NO. ED3314



SOUNDCRAFT ELECTRONICS LTD OWNS THE COPYRIGHT OF THIS DRAWING WHICH IS NOT TO BE COPIED, REPRODUCED OR DISCLOSED, IN PART OR IN WHOLE TO A THIRD PARTY WITHOUT WRITTEN PERMISSION.

NOTES

NOTES

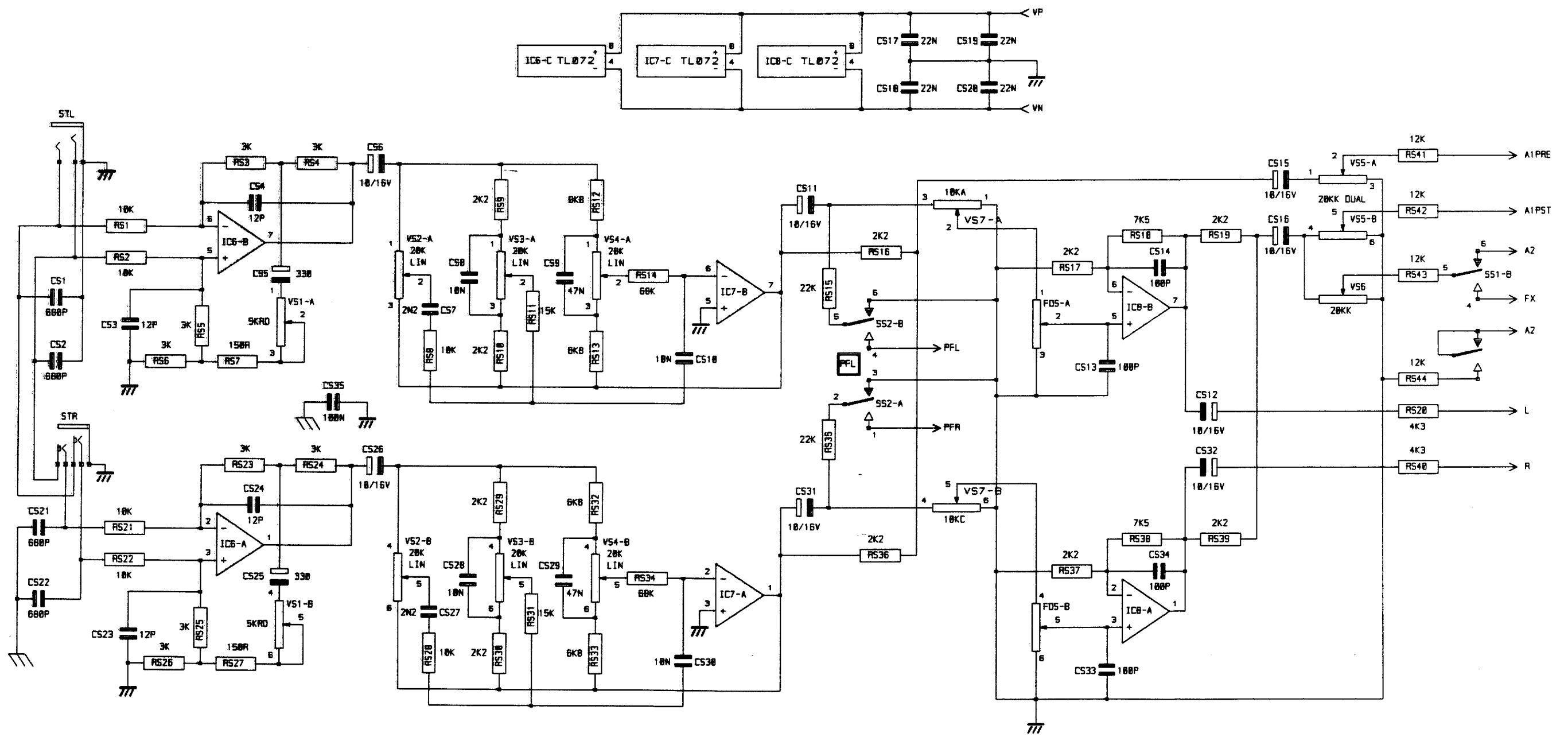
SOUNDCRAFT ELECTRONICS LTD. CRANBORNE HOUSE, CRANBORNE INDUSTRIAL ESTATE, POTTERS BAR, HERTS., ENG 3, UK. TEL: 0787 665000 FAX: 0787 668482

DRN. GHB

TITLE
POWER AMP
MAIN BOARD

DRG NO. ED3316A

SHT. 1 OF 6



STEREO INPUT

SOUNDCRAFT ELECTRONICS LTD. OWNS THE COPYRIGHT OF THIS DRAWING WHICH IS NOT TO BE COPIED, REPRODUCED OR DISCLOSED, IN PART OR IN WHOLE TO A THIRD PARTY WITHOUT WRITTEN PERMISSION.

NOTES

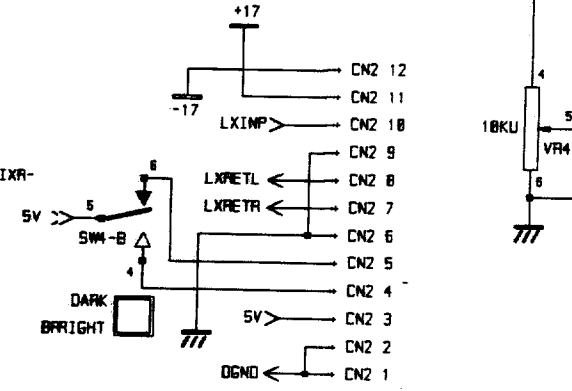
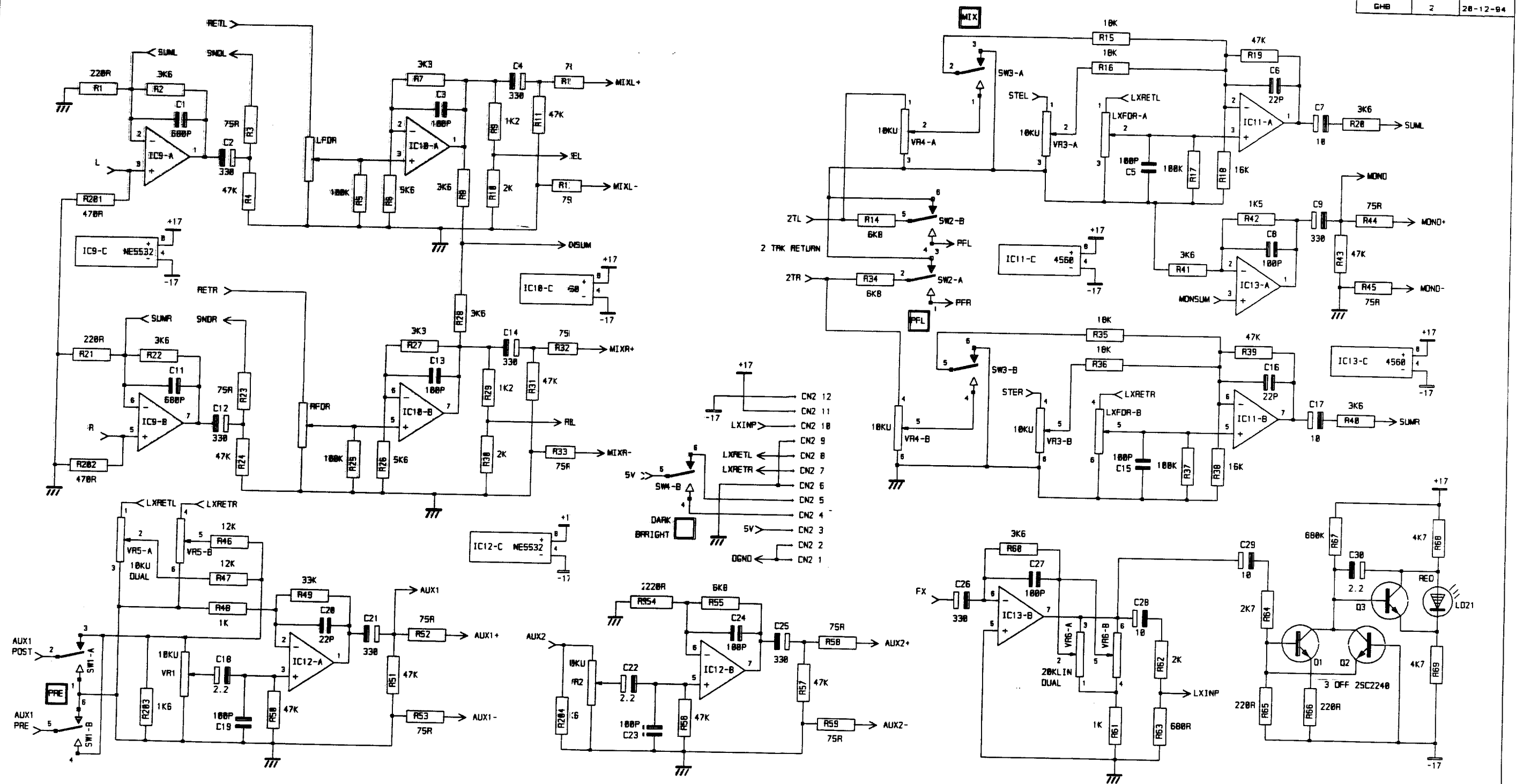
NOTES

SOUNDCRAFT ELECTRONICS LTD.
CRANBORNE HOUSE,
CRANBORNE INDUSTRIAL ESTATE,
CRANBORNE ROAD,
POTTERS BAR,
HERTS., EN6 3JN
TEL: 0787 665000
FAX: 0787 660482

DRN. GHB

TITLE
POWER AMP
MAIN BOARD
DRG NO. ED 3316B

INITIAL	ISSUE	DATE
GHB	2	28-12-84



MASTER 1

SOUNDCRAFT ELECTRONICS LTD. OWNS THE COPYRIGHT OF THIS DRAWING WHICH IS NOT TO BE COPIED, REPRODUCED OR DISCLOSED, IN PART OR IN WHOLE TO A THIRD PARTY WITHOUT WRITTEN PERMISSION.

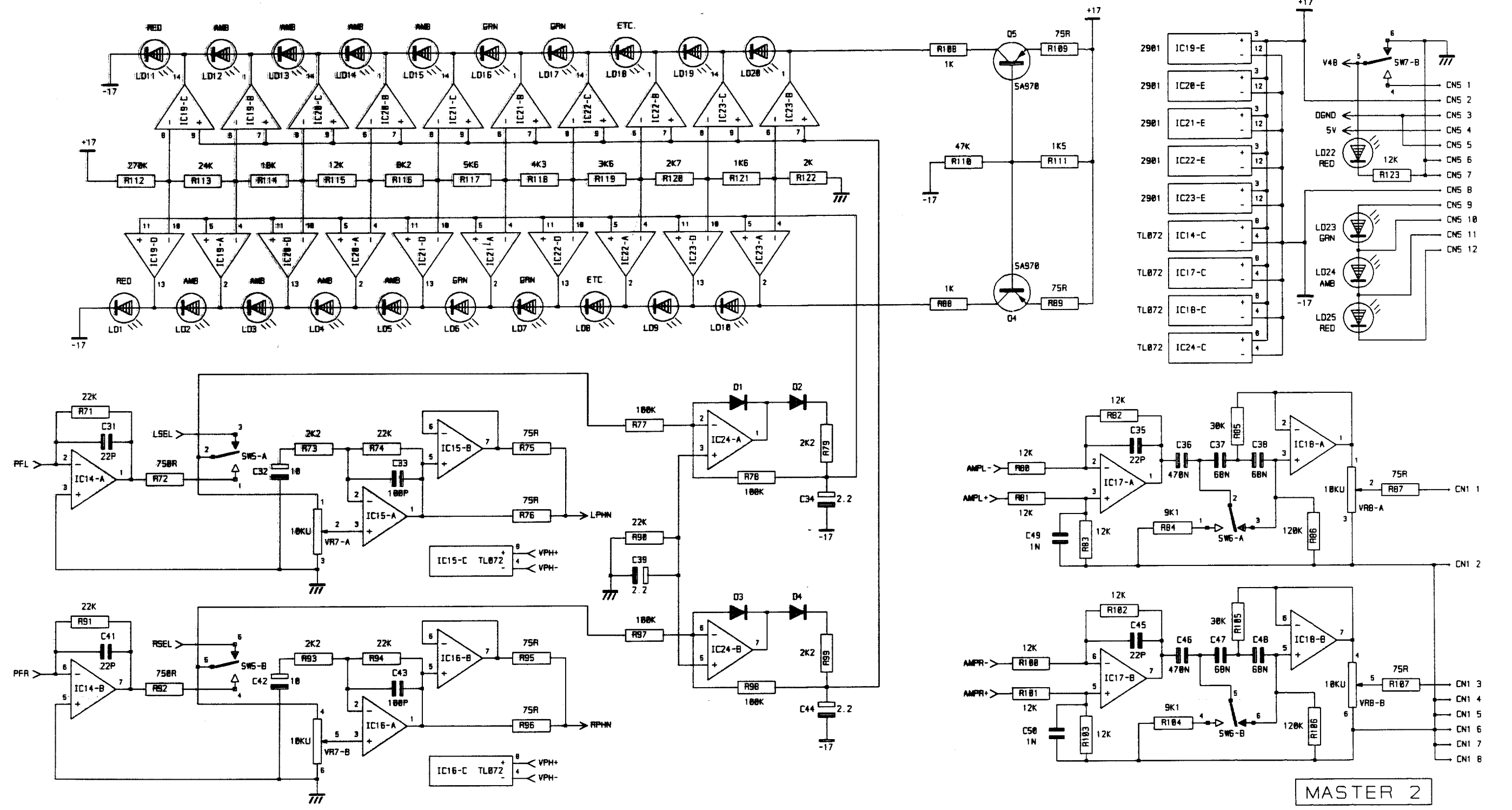
NOTES

NOTES

SOUNDCRAFT ELECTRONICS LTD.
CRANBORNE HOUSE,
CRANBORNE INDUSTRIAL ESTATE,
CRANBORNE ROAD,
POTTERS BAR,
HERTS. EN6 3JN
TEL: 0707 665000
FAX: 0707 660482

DRN. GHB	TITLE POWER AMP MAIN BOARD
	DRG NO. ED 3316C
SHT. 3 OF 6	

ALL DIODES ARE 1N4148 TYPE.



MASTER 2

SOUNDCRAFT ELECTRONICS LTD. OWNS THE COPYRIGHT OF THIS DRAWING WHICH IS NOT TO BE COPIED, REPRODUCED OR DISCLOSED, IN PART OR IN WHOLE TO A THIRD PARTY WITHOUT WRITTEN PERMISSION.

NOTES

NOTES

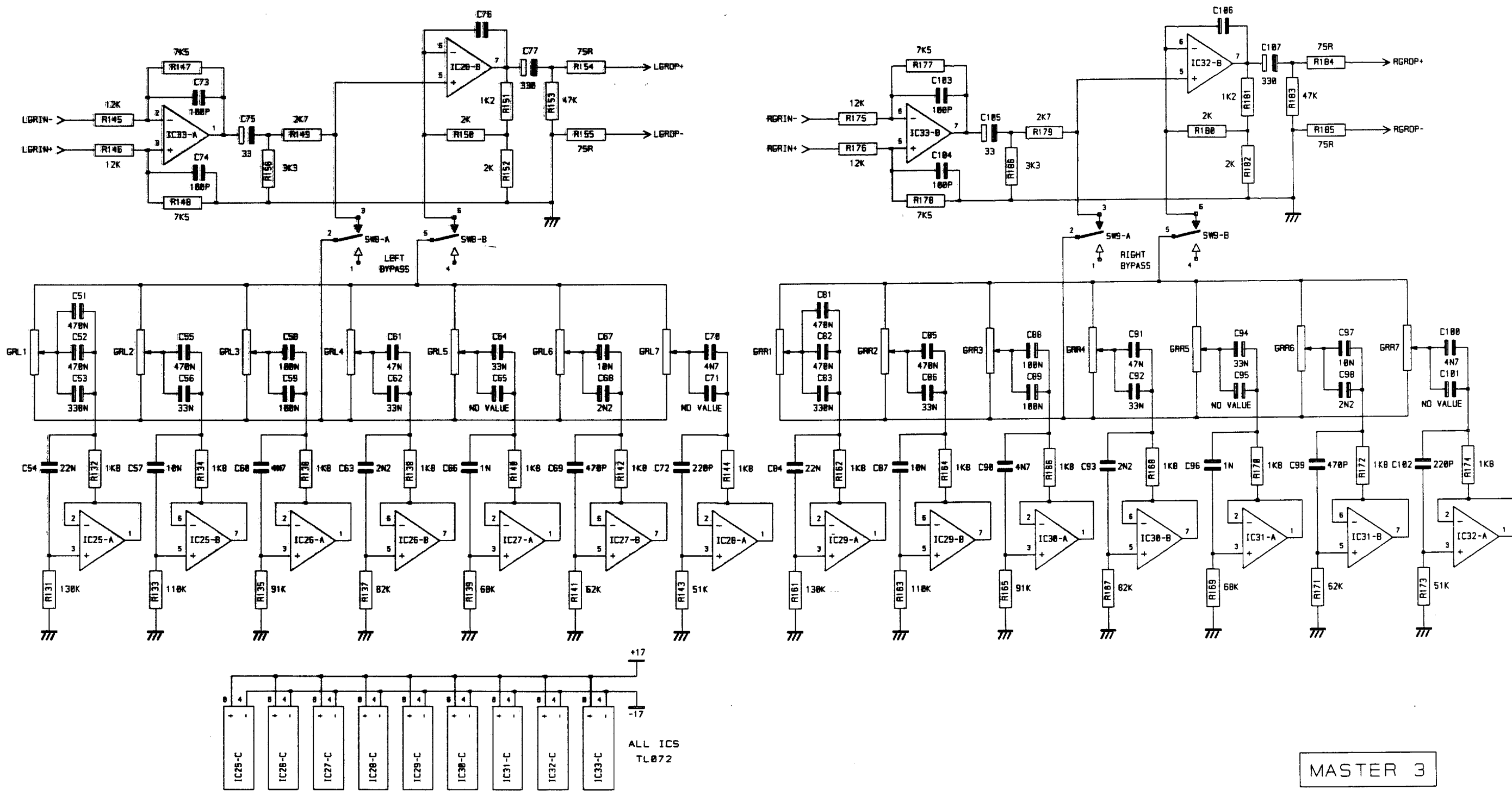
SOUNDCRAFT ELECTRONICS LTD.
CRANBORNE HOUSE,
CRANBORNE INDUSTRIAL ESTATE,
CRANBORNE ROAD,
POTTERS BAR,
HERTS. EN6 3JN
TEL: 0767 655000
FAX: 0767 656482

DRN. GHB

TITLE
**POWER AMP
MAIN BOARD**

DRG NO. ED 33160

SHT. 4 OF 6



MASTER 3

SOUNDCRAFT ELECTRONICS LTD. OWNS THE COPYRIGHT OF THIS DRAWING WHICH IS NOT TO BE COPIED, REPRODUCED OR DISCLOSED, IN PART OR IN WHOLE TO A THIRD PARTY WITHOUT WRITTEN PERMISSION.

NOTES

NOTES

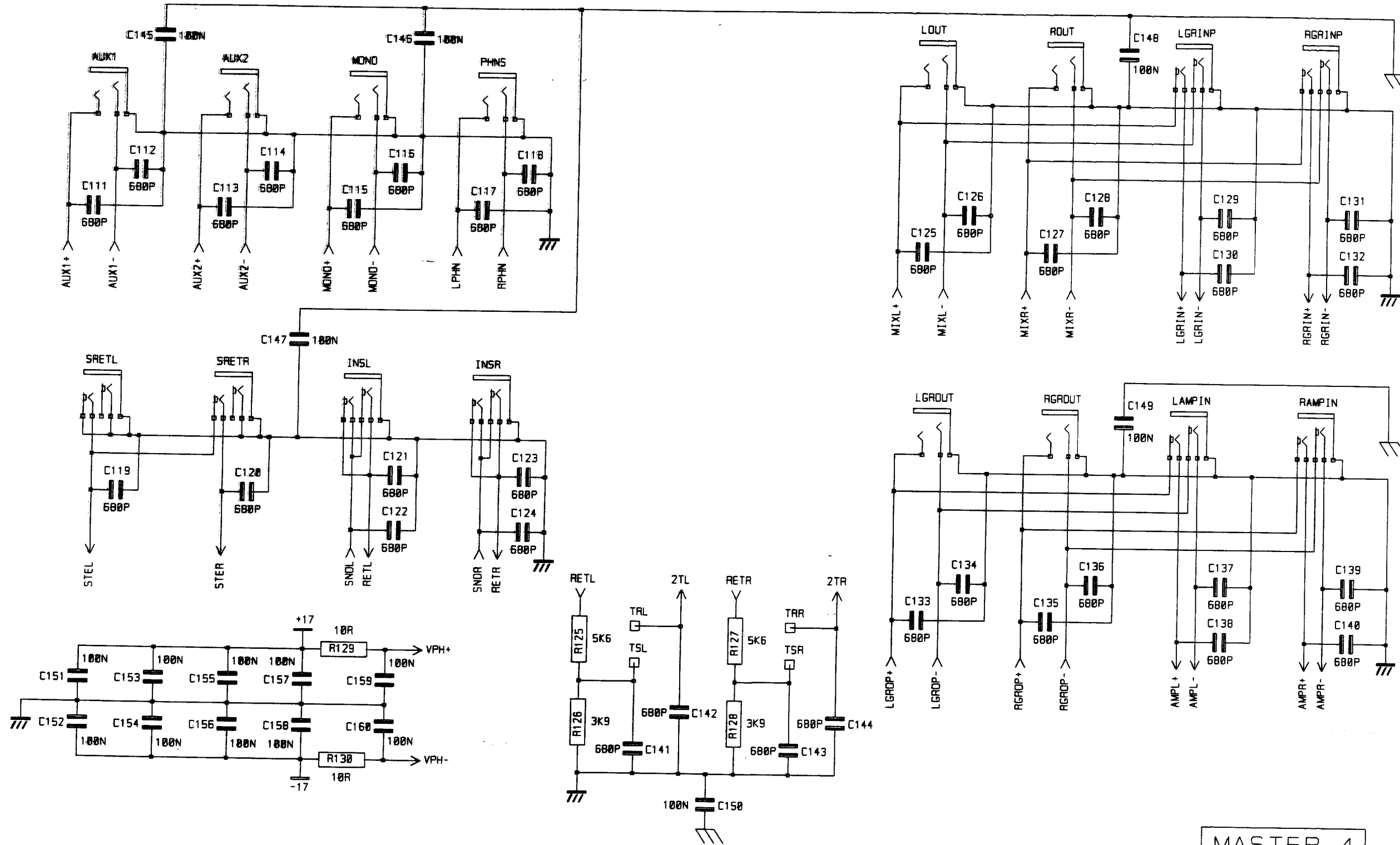
SOUNDCRAFT ELECTRONICS LTD.
CRANBORNE HOUSE,
CRANBORNE INDUSTRIAL ESTATE,
CRANBORNE ROAD,
POTTERS BAR,
HERTS., EN6 3JN
TEL: 0707 665000
FAX: 0707 660482

DRN. GHB

TITLE
POWER AMP MIXER BOARD

DRG NO. ED3316E

INITIAL	ISSUE	DATE
GHB	2	20-12-94



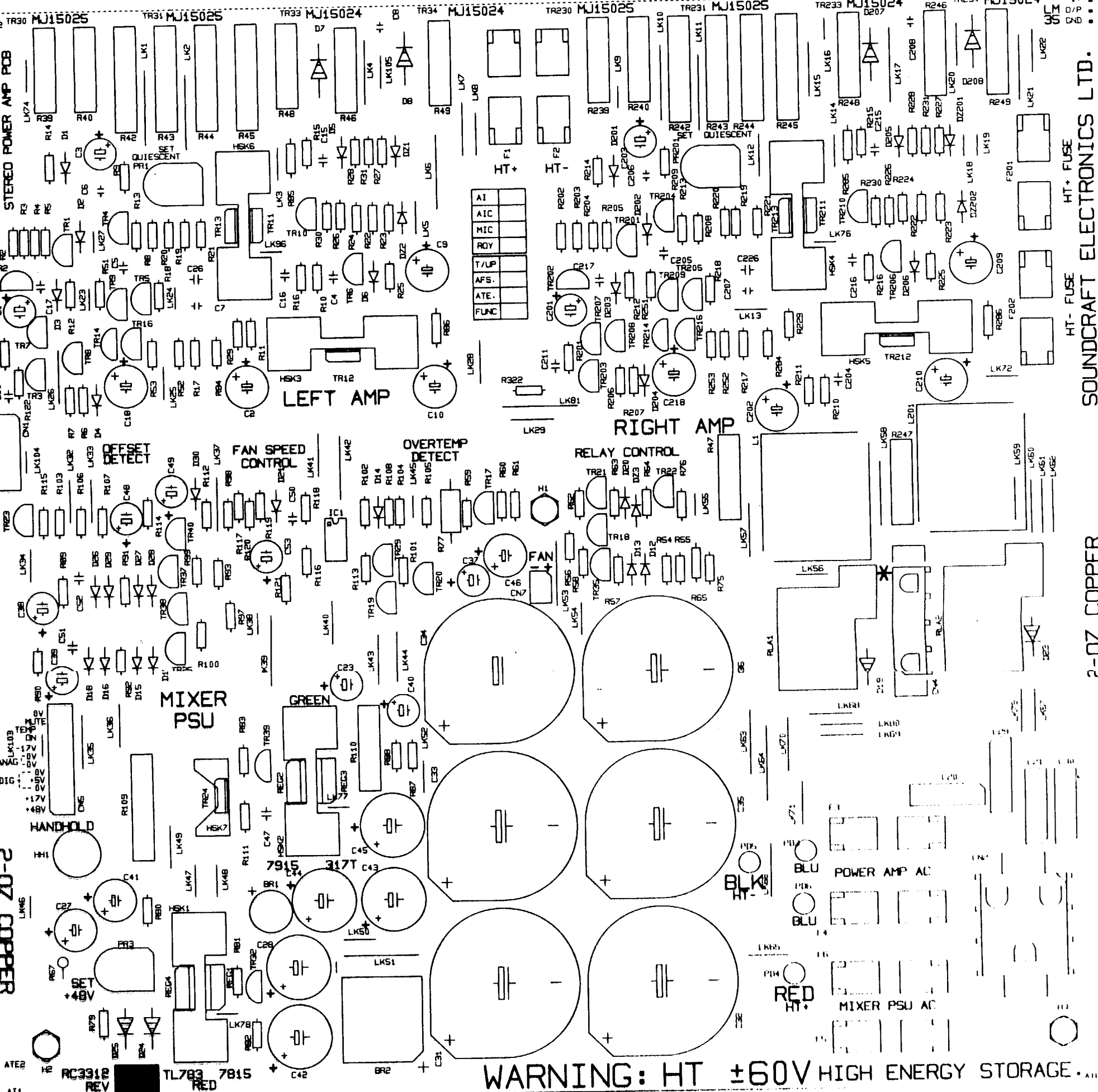
MASTER 4

<p>SOUNDCRAFT ELECTRONICS LTD OWNS THE COPYRIGHT OF THIS DRAWING WHICH IS NOT TO BE COPIED, REPRODUCED OR DISCLOSED, IN PART OR IN WHOLE TO A THIRD PARTY WITHOUT WRITTEN PERMISSION.</p>	<p>NOTES</p>	<p>SOUNDCRAFT ELECTRONICS LTD. CRANBORNE HOUSE, CRANBORNE INDUSTRIAL ESTATE, CRANBORNE ROAD, POTTERS BAR, HERTS., EN6 3JN. TEL: 0707 665000 FAX: 0707 660482</p>	<p>ORN. GHB</p>	<p>TITLE POWER AMP MAIN BOARD</p>
			<p>DRG NO. ED 3316F</p>	<p>SHT. 6 OF 6</p>

SCORE

P1
P2
P3

SC3312 ISSUE 3



SOUND CRAFT ELECTRONICS LTD.

SCORE

2-OZ COPPER

WARNING: HT ±60V HIGH ENERGY STORAGE...

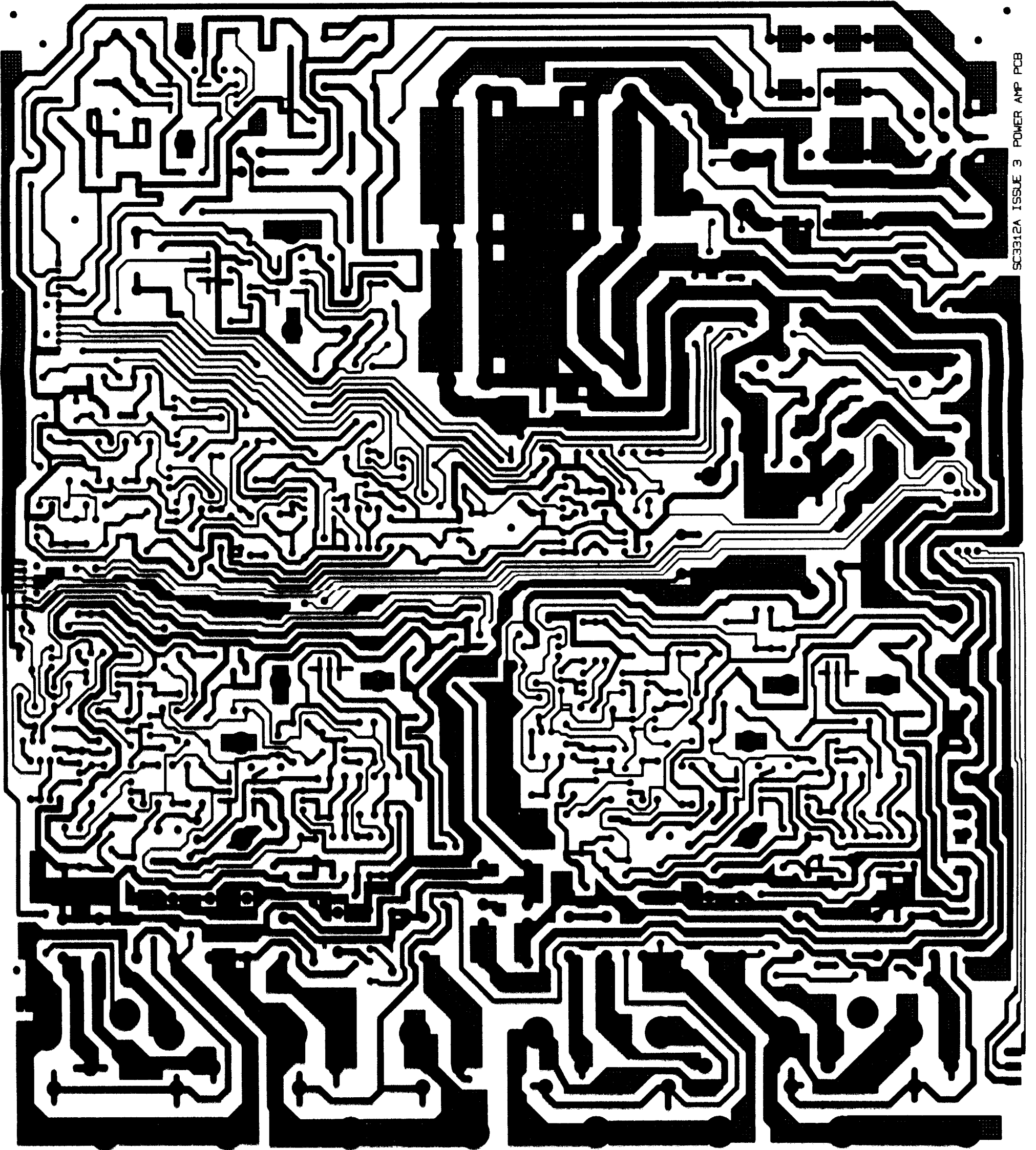
SC3312 ISSUE 3

SCORE

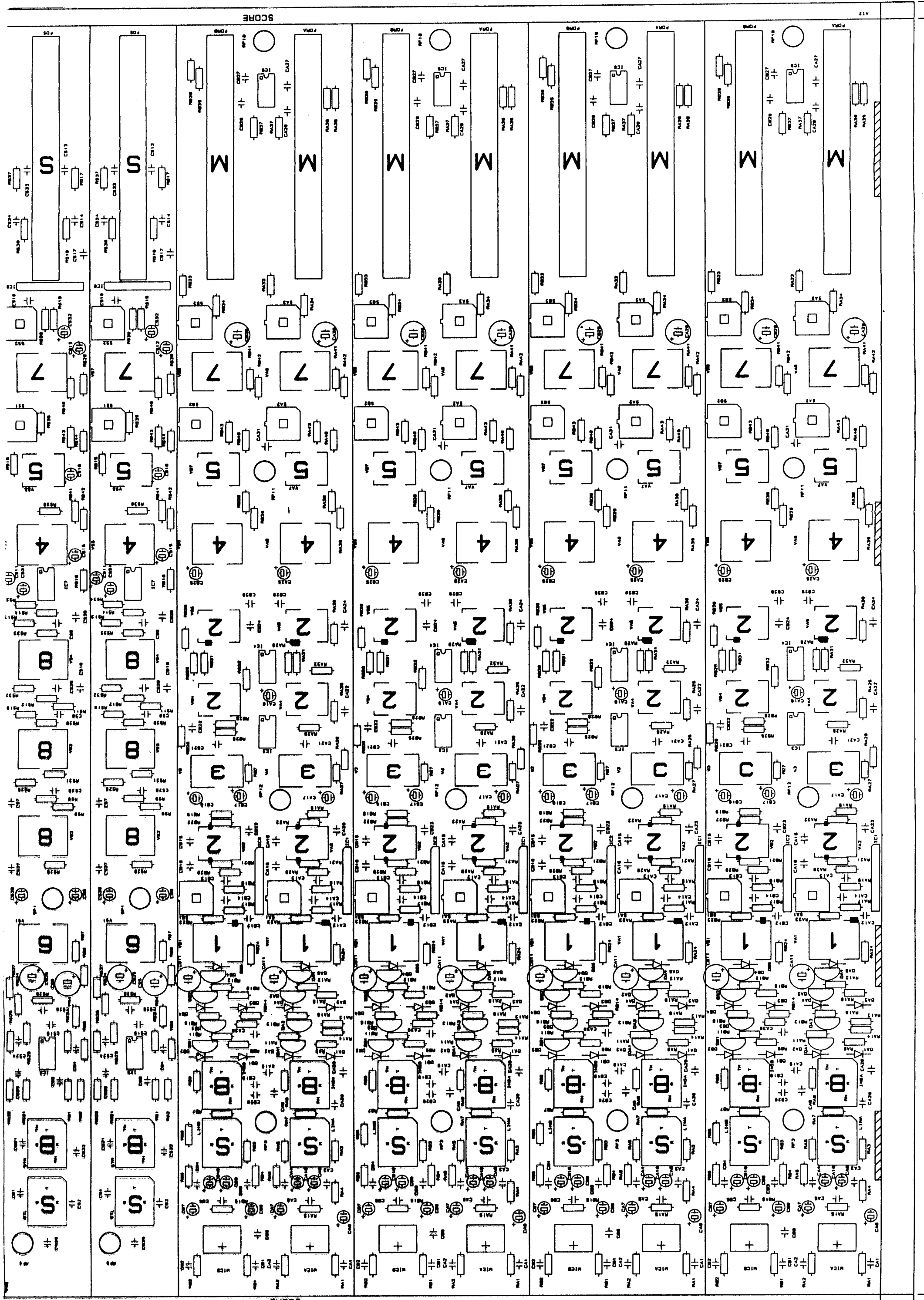
STEREO POWER AMP. BOARD

STEREO POWER AMP PCB
CP3312 ISSUE 3 13-7-93

SC3312A ISSUE 3 8-8-94
STEREO POWER AMP PCB



SC3312A ISSUE 3 POWER AMP PCB

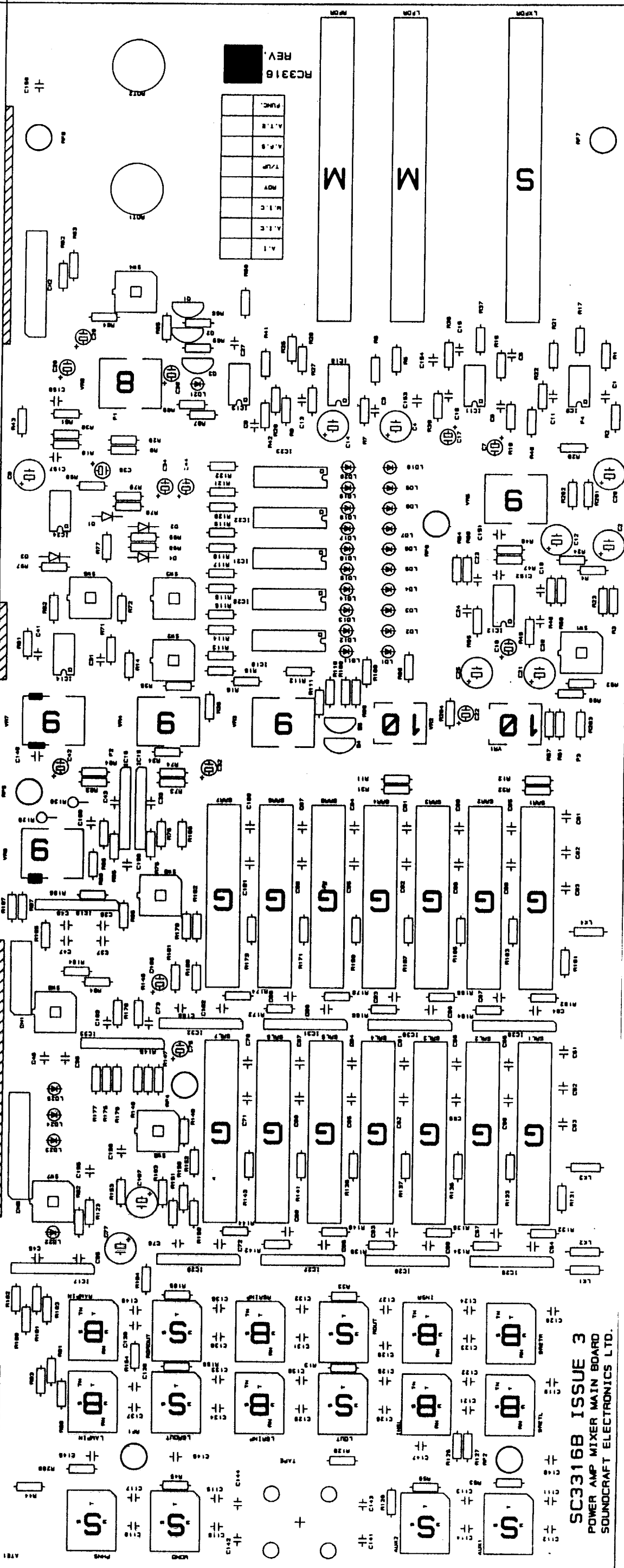


SCORE

SCORE

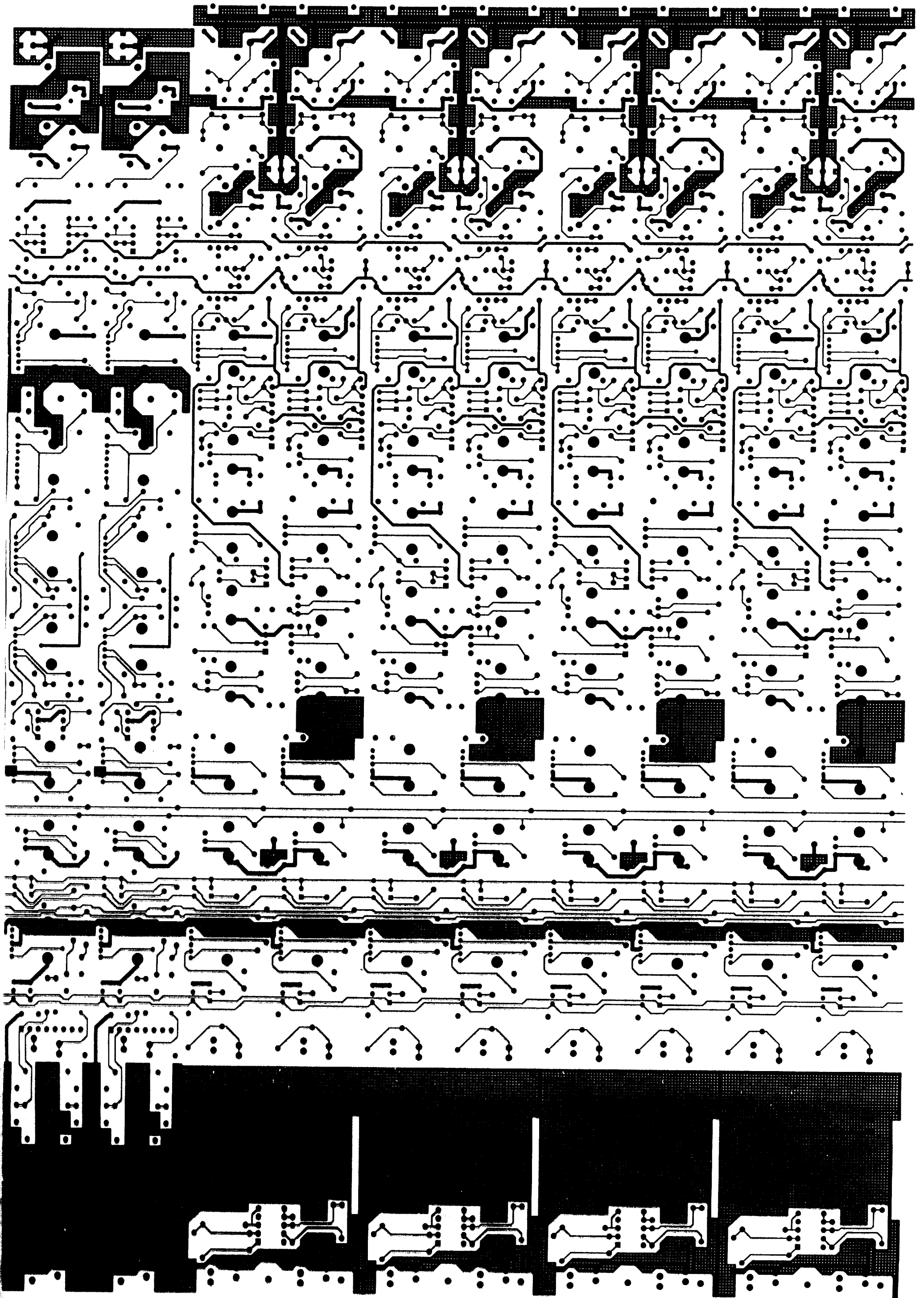
A12

A12

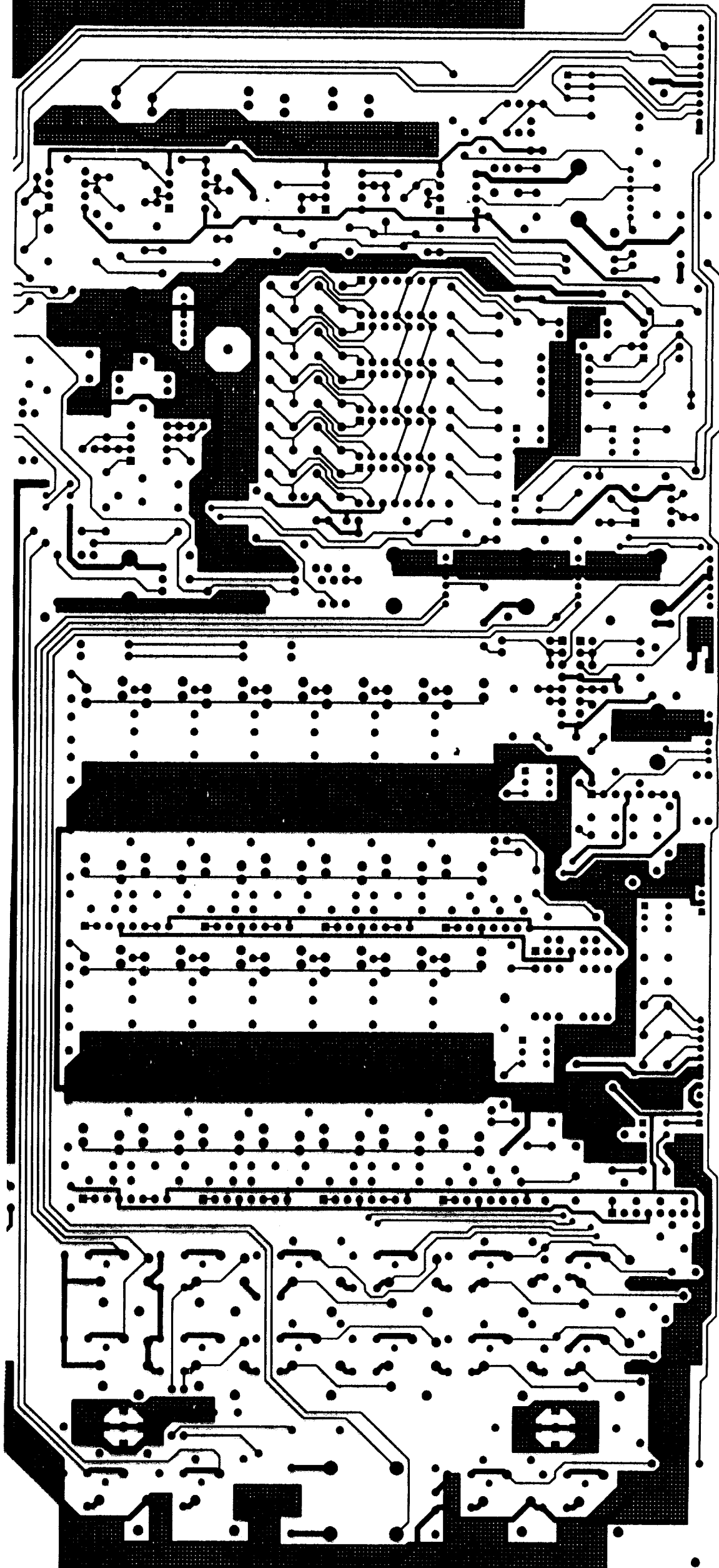


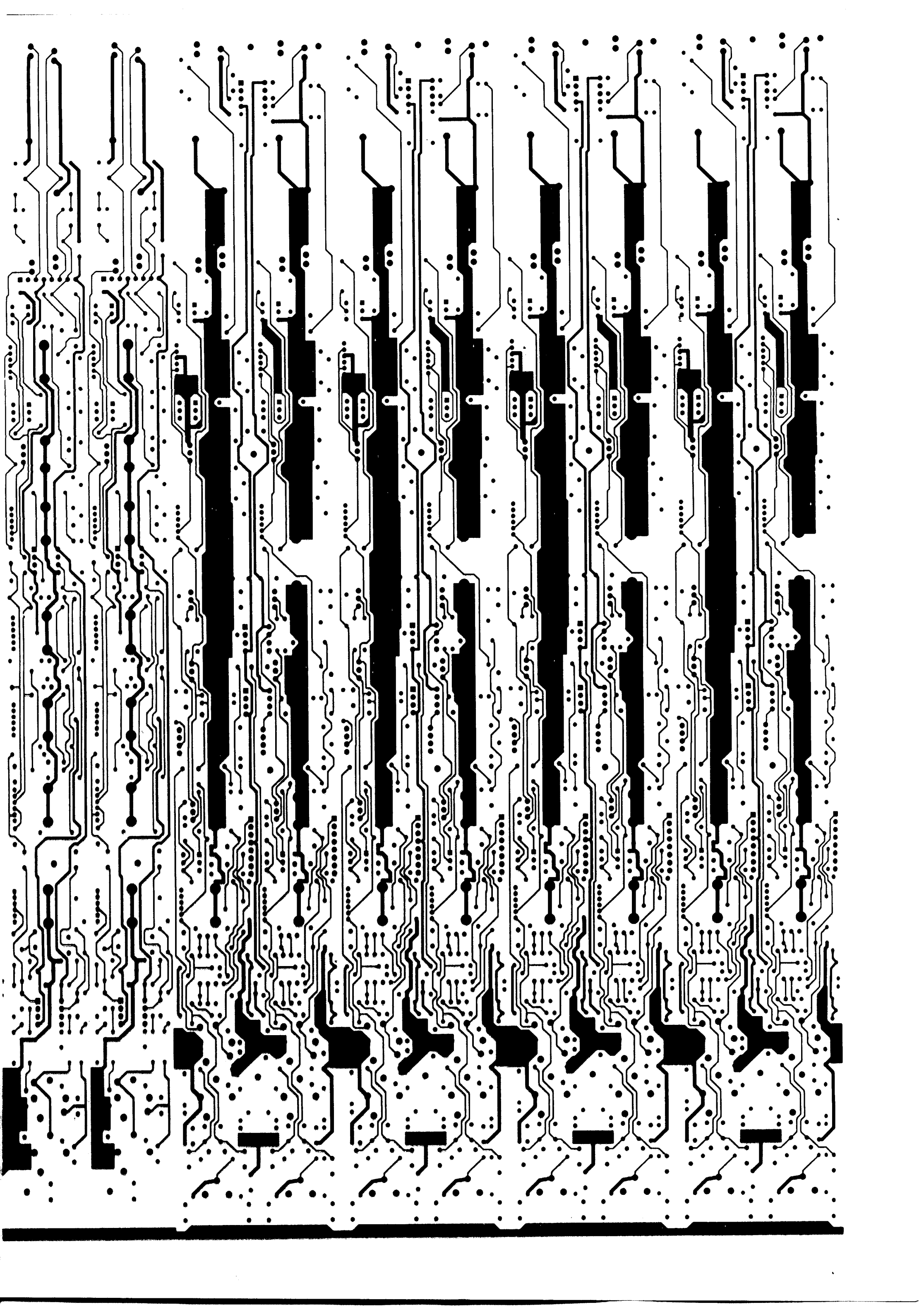
REV.	FC3316
A.1	
A.1.C	
NOV	
T/VP	
A.P.B	
A.T.B	
FUNC.	

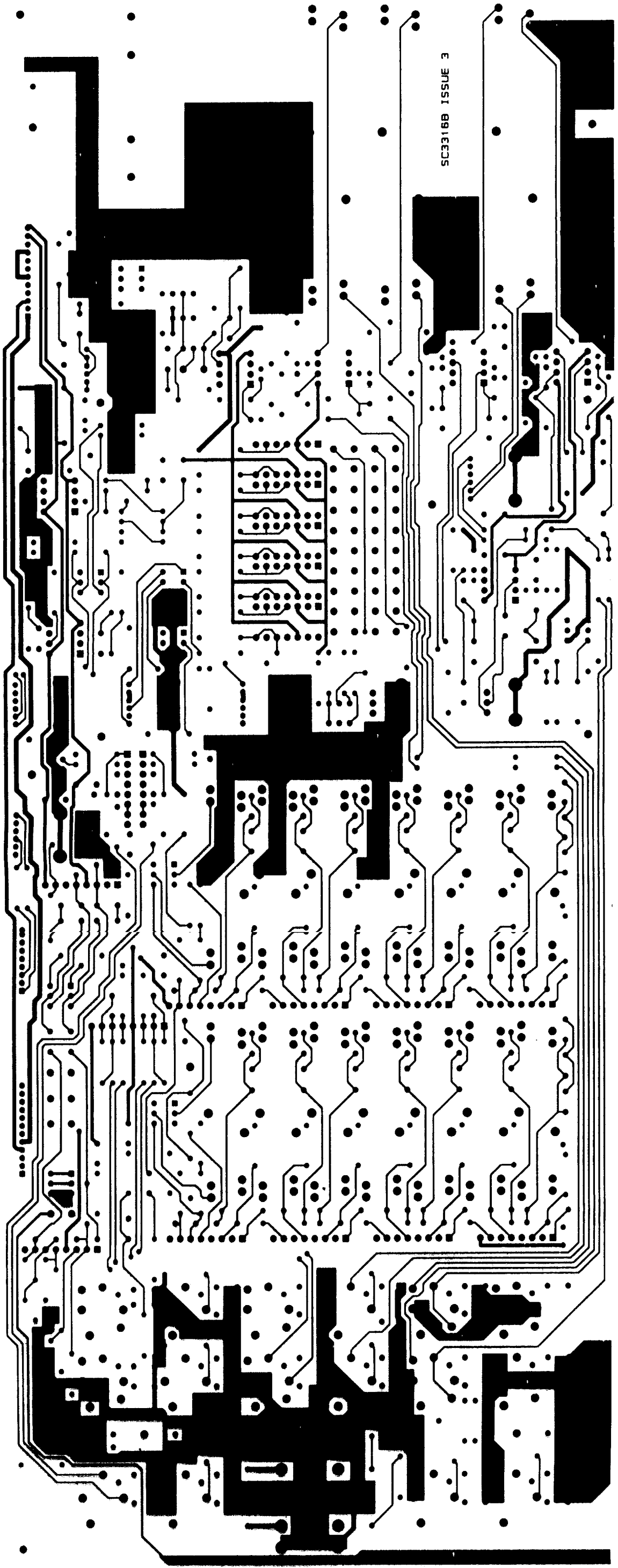
SC3316B ISSUE 3
 POWER AMP MIXER MAIN BOARD
 SOUND CRAFT ELECTRONICS LTD.



SC3316A ISSUE 3
POWER AMP MIXER MAIN BOARD
SOUNDSCRAFT ELECTRONICS LTD







SC3316B ISSUE 3