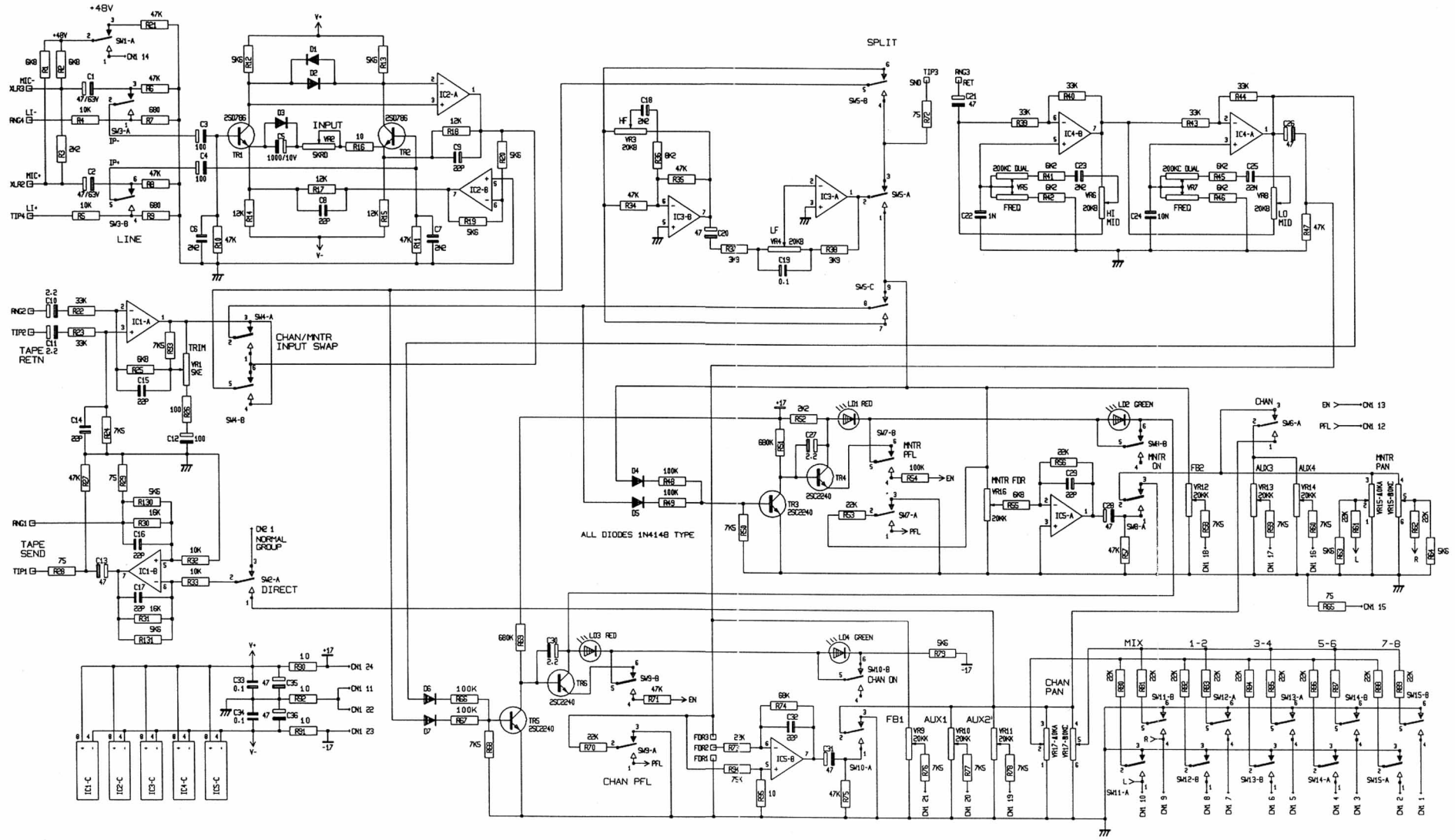
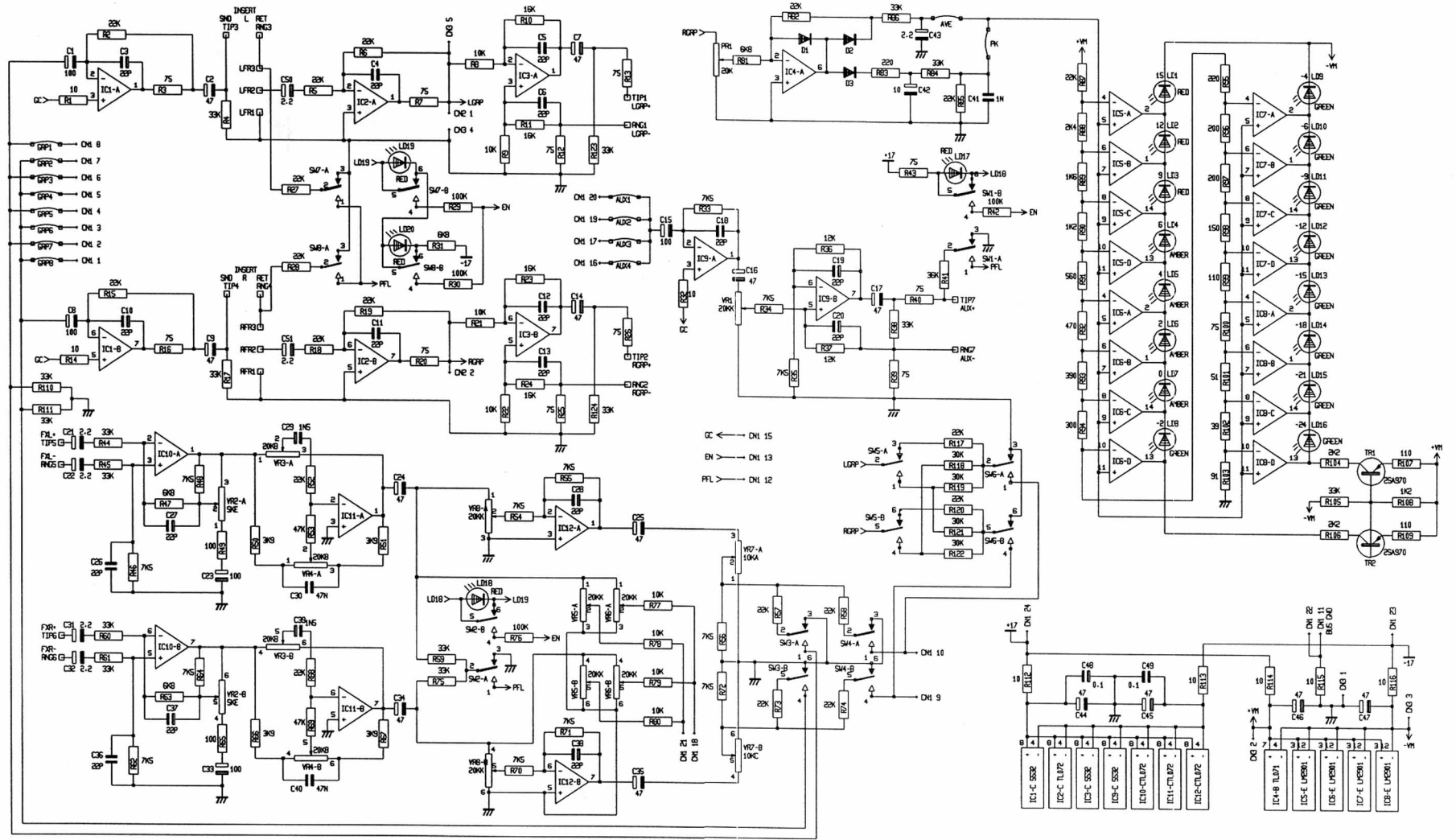


© Soundcraft Electronics Ltd  
This drawing must not be copied,  
reproduced or disclosed, in part or  
in whole to a third party without  
written permission



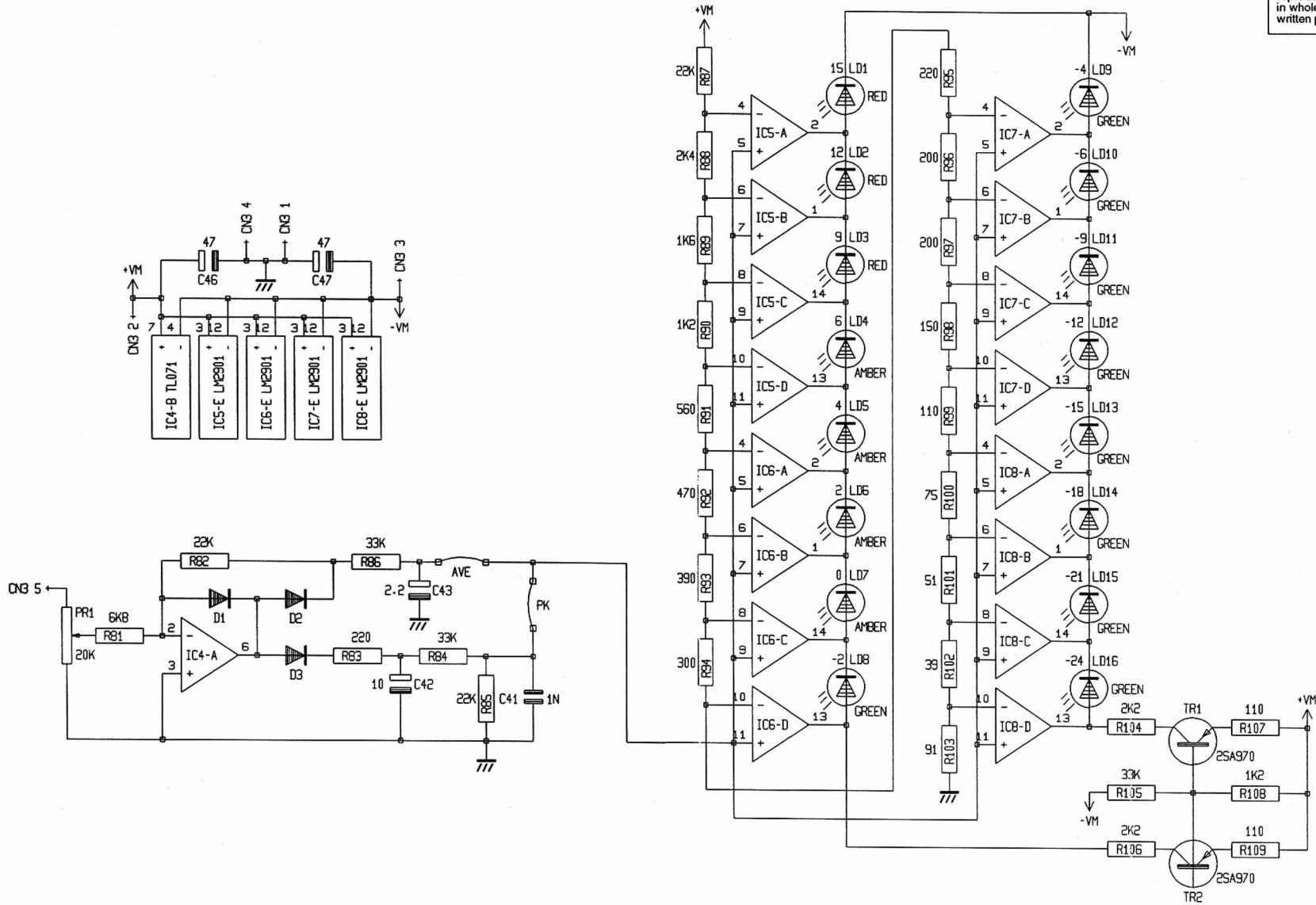
ED2970/iss. P4  
8/1/91

© Soundcraft Electronics Ltd  
This drawing must not be copied,  
reproduced or disclosed, in part  
in whole to a third party without  
written permission



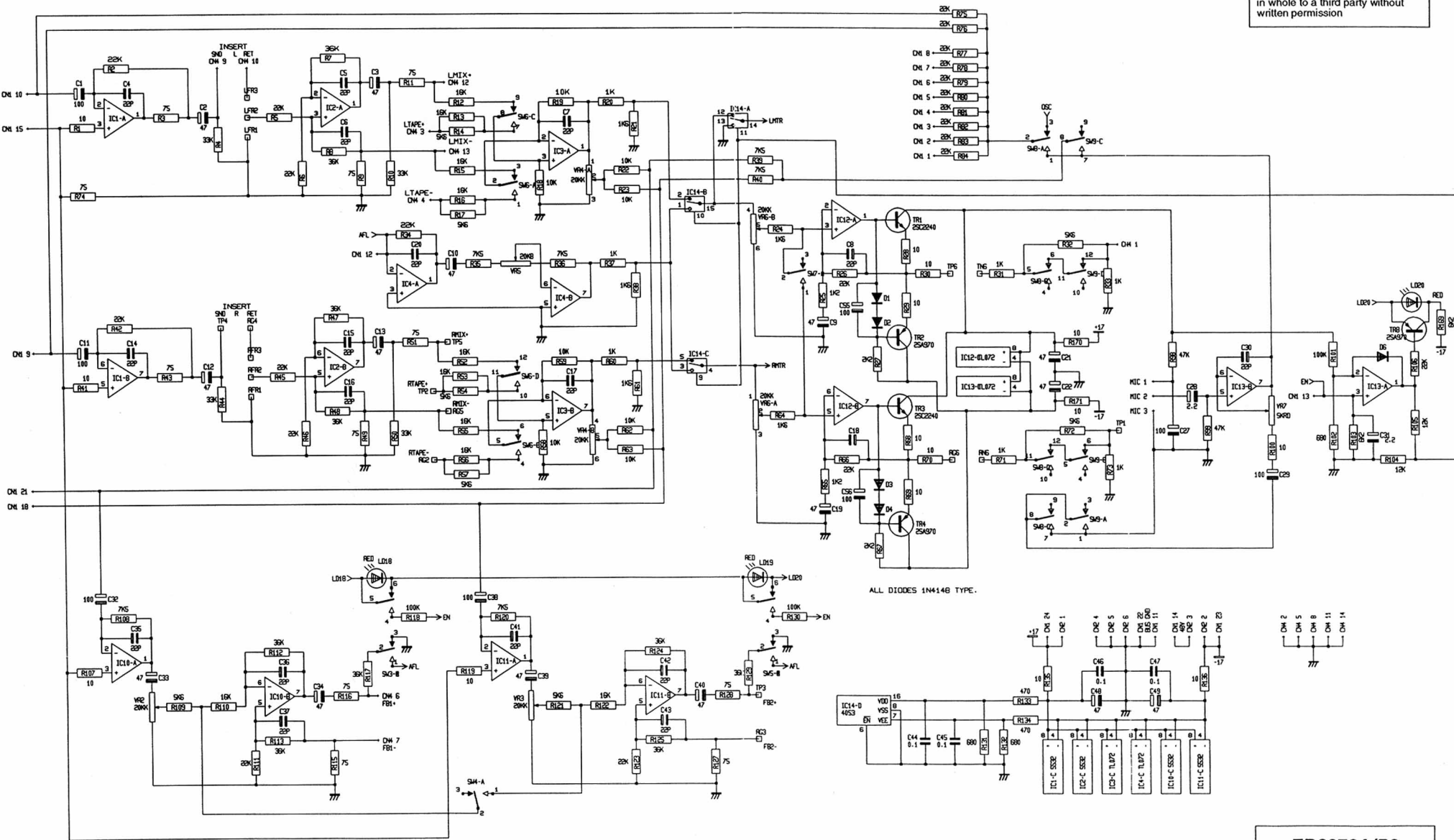
**ED297/P4**  
8/1/91

© Soundcraft Electronics Ltd  
 This drawing must not be copied,  
 reproduced or disclosed, in part or  
 in whole to a third party without  
 written permission



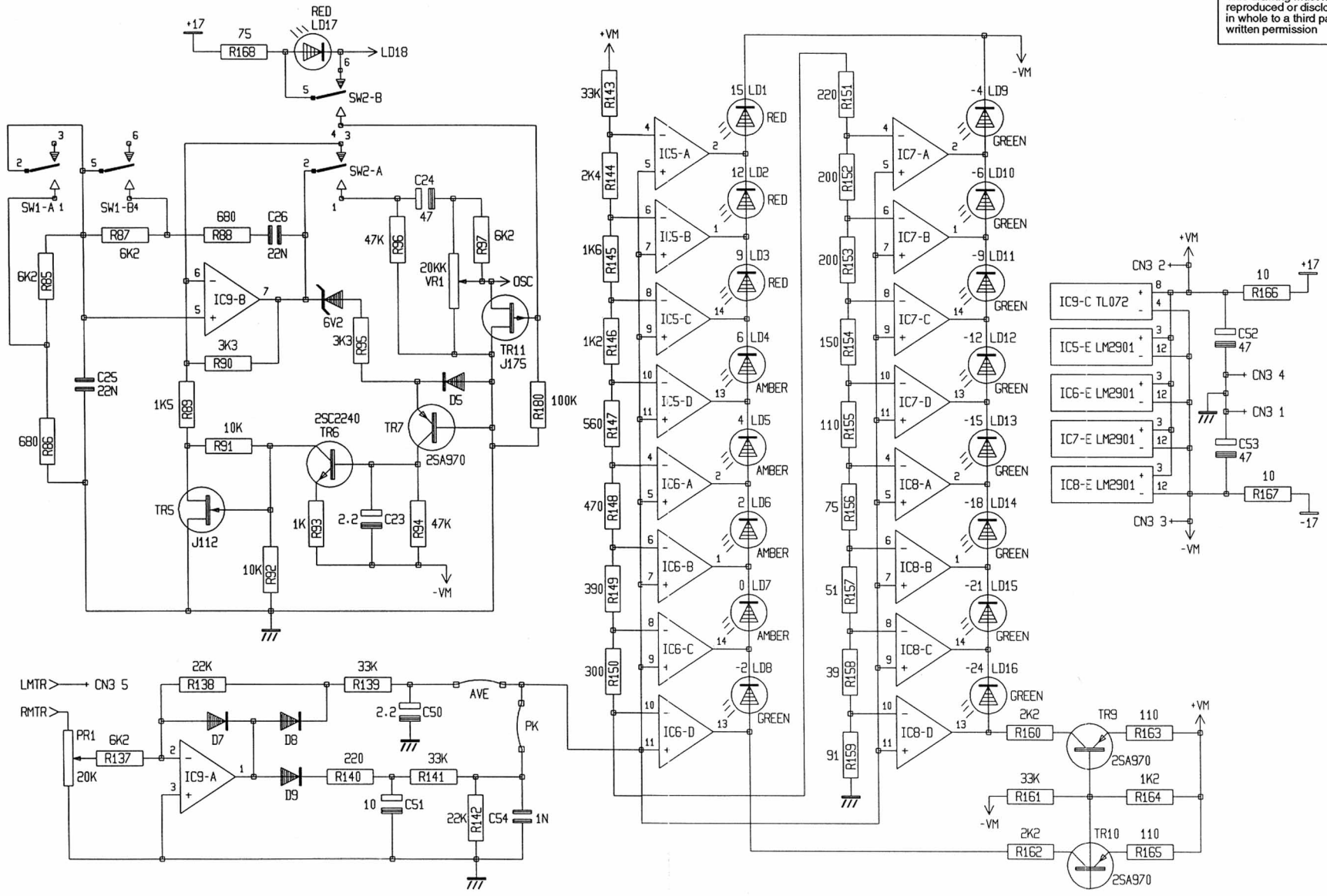
ED2972/P3  
 9/1/91

© Soundcraft Electronics Ltd  
This drawing must not be copied,  
reproduced or disclosed, in part or  
in whole to a third party without  
written permission



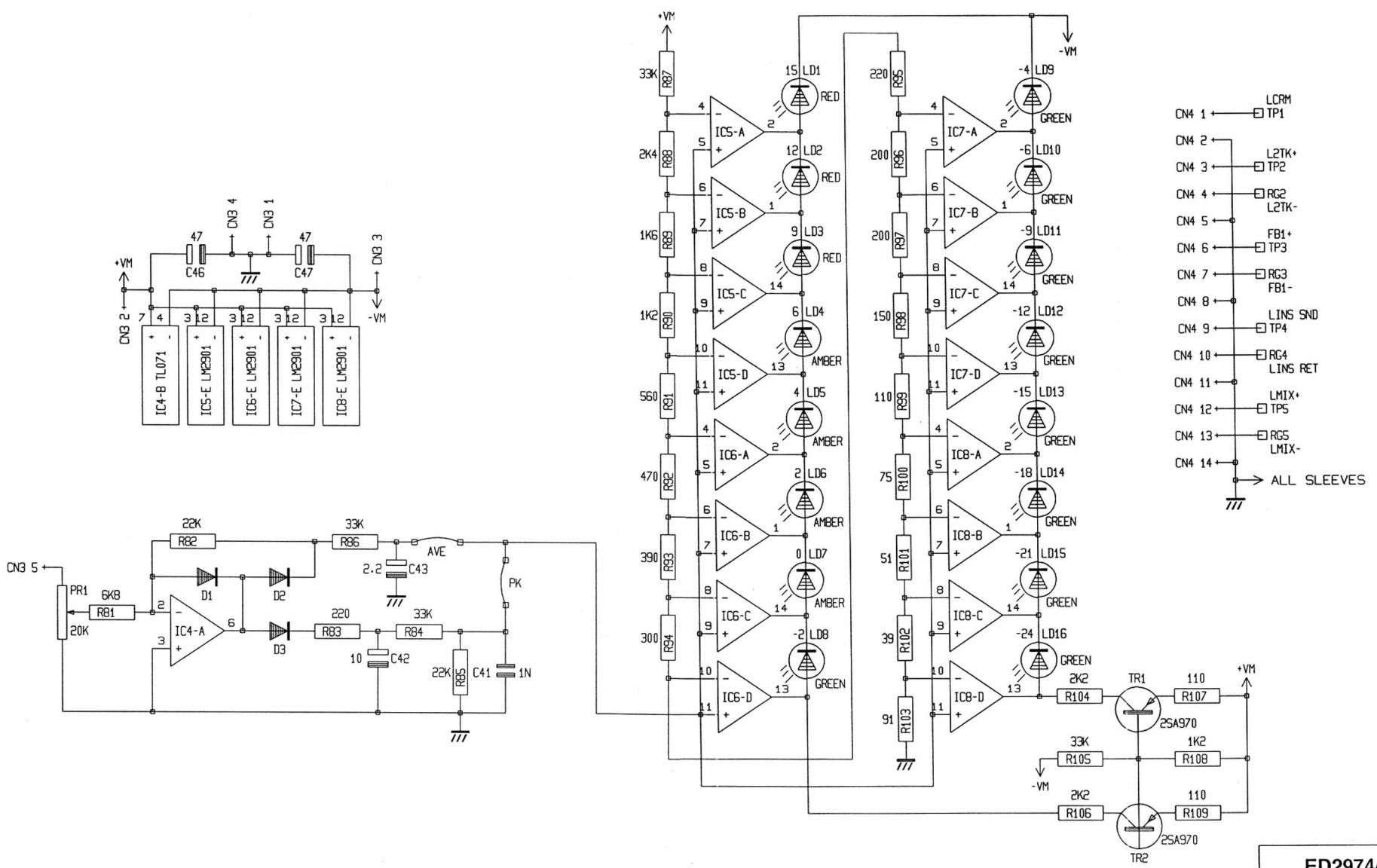
ED2973A/P3  
9/1/91

© Soundcraft Electronics Ltd  
 This drawing must not be copied,  
 reproduced or disclosed, in part or  
 in whole to a third party without  
 written permission



**ED2973B/P3**  
 9/1/91

© Soundcraft Electronics Ltd  
 This drawing must not be copied,  
 reproduced or disclosed, in part or  
 in whole to a third party without  
 written permission



- CN4 1 ← LCRM TP1
- CN4 2 ← L2TK+
- CN4 3 ← L2TK-
- CN4 4 ← FB1+
- CN4 5 ← FB1-
- CN4 6 ← LINS SND
- CN4 7 ← LINS RET
- CN4 8 ← LMIX+
- CN4 9 ← LMIX-
- CN4 10 ← TP2
- CN4 11 ← TP3
- CN4 12 ← TP4
- CN4 13 ← TP5
- CN4 14 ← ALL SLEEVES

**ED2974/P3**  
 9/1/91