

MusicParts.Com

Technical Document Distribution

Brand:	Soundcraftsmen
Model	AE2420-R
Product:	Analyzer/Eq
Description:	Schematic

Musicparts Document Number: 47882 TechTips: No Pages: 4 Dated: 1979

Hello,

Welcome to MusicParts.Com, Inc. your online resource for technical documents and service information. This PDF package may contain information, schematics, parts lists, images, engineering changes, previous versions, circuit descriptions, and many other unique features about the product you have chosen. This document was assembled from a variety of sources and is the result of our many years in the music repair business.

NOTE: Large original over-sized drawings will need to be taped together. We feel this is better than reducing them and losing the fine details.

VIEWING: This document is utilizing PAGE-ON-DEMAND downloading. This will let you navigate to any page without waiting for the entire file to download. Just click ON the thumbnails.

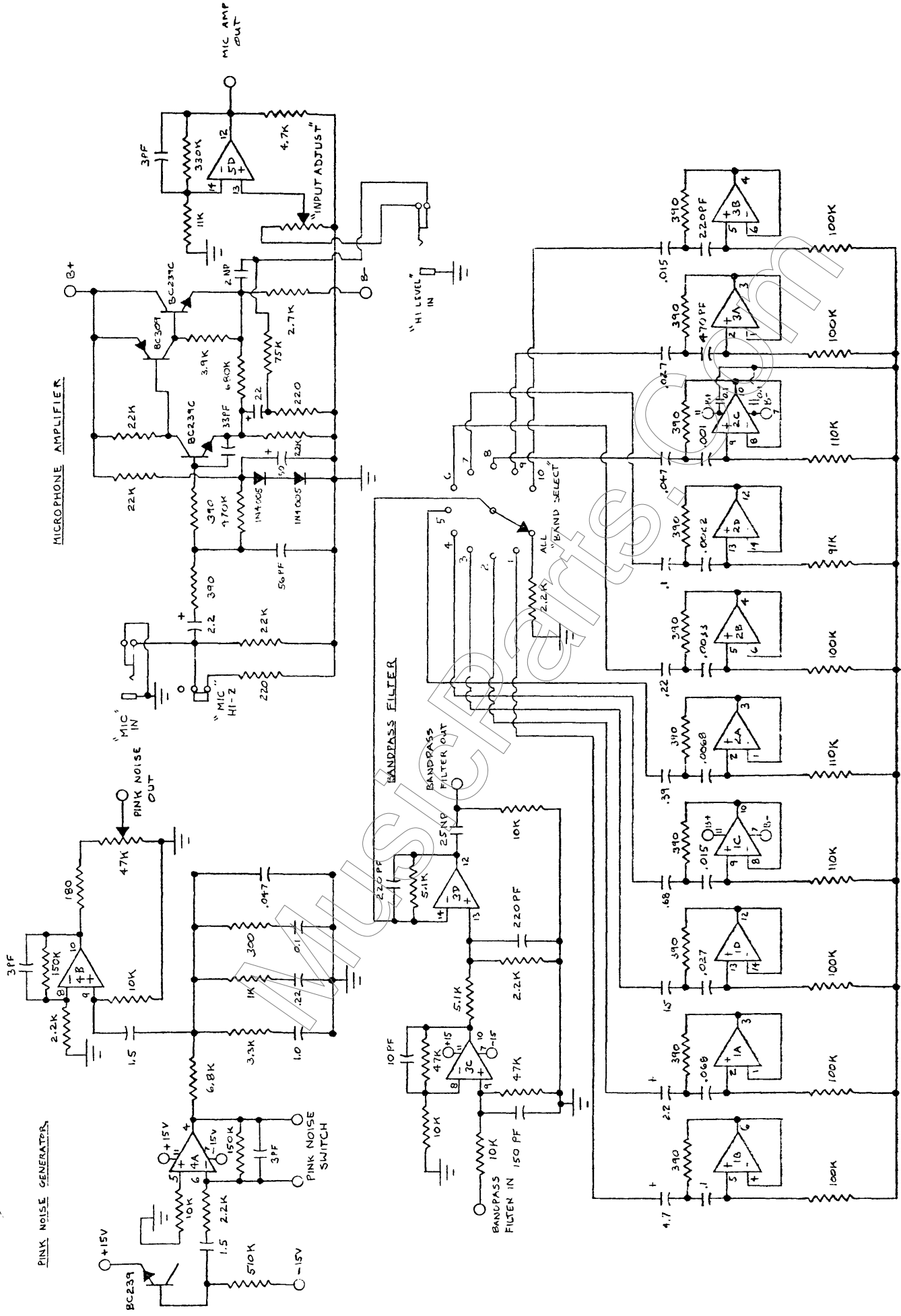
PRINTING: Very Important!

When the print dialog appears, please make sure "**REDUCE TO PAPER SIZE**" OR "**SHRINK OVERSIZED PAGES**" is checked, otherwise you may cut off the edge of the page. This will compensate for your printer's margins and produce a great looking printout. Also please stay online while printing this document to make sure you get all the pages.

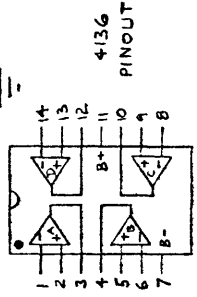
Visit us on the web at: <http://www.musicparts.com/>
Email us at: customerservice@musicparts.com

PINK NOISE GENERATOR

MICROPHONE AMPLIFIER

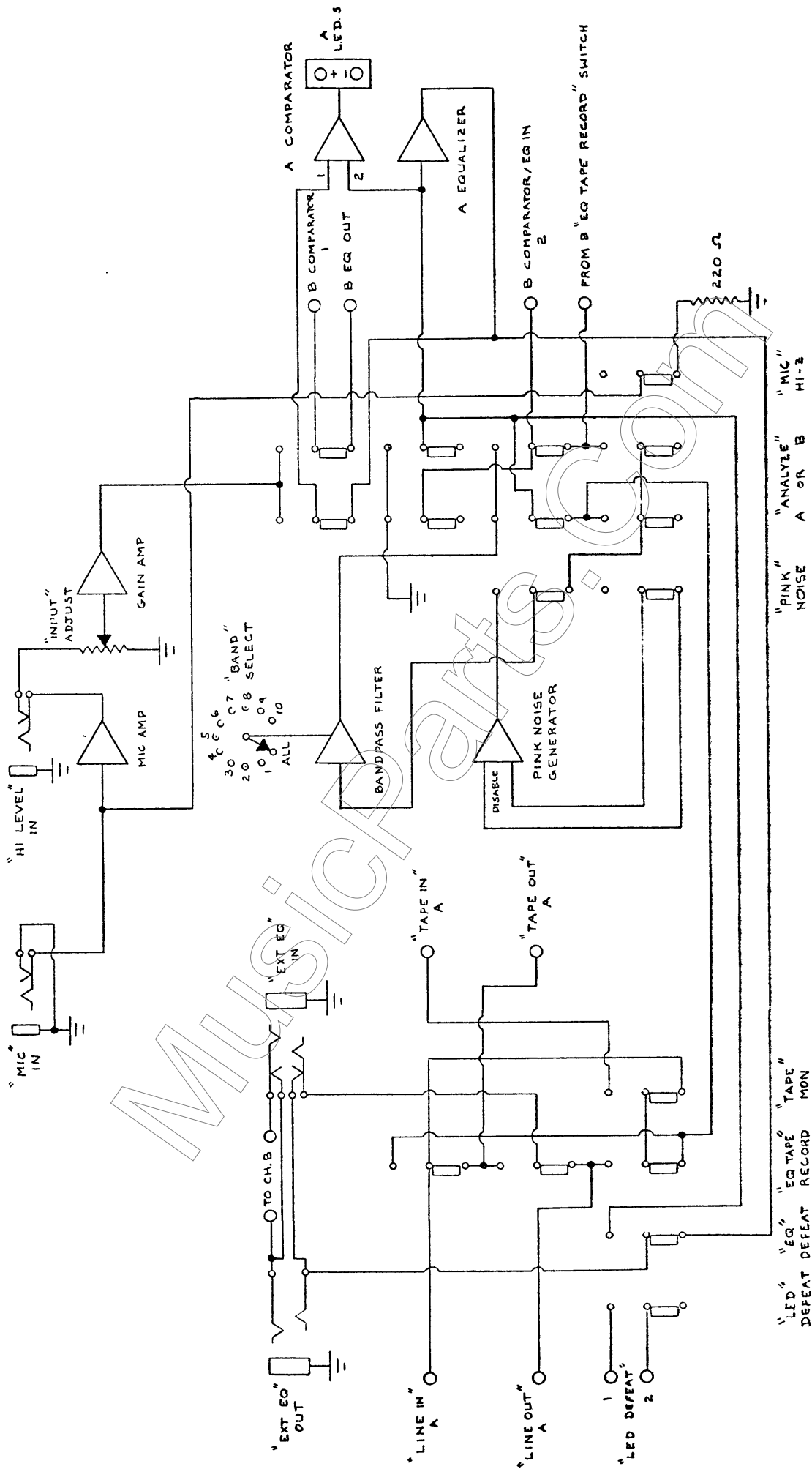


NOTES:
1) ALL RESISTANCES IN OHMS,
CAPACITANCES IN MICROFARADS,
UNLESS OTHERWISE SPECIFIED.
2) ALL I.C.'S ARE XR413G.



SOUNDCRAFTSMEN

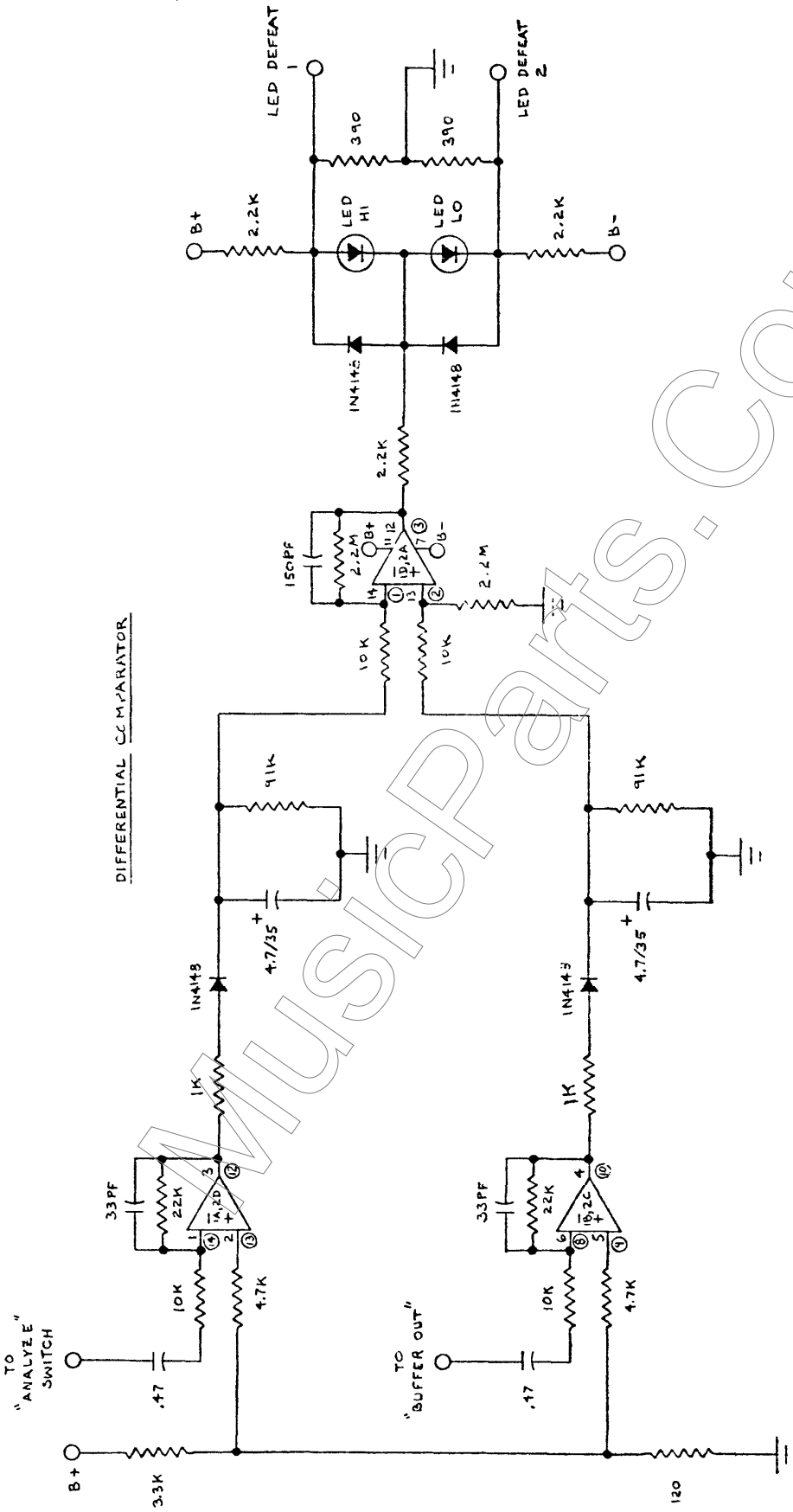
SCALE:	---	APPROVED BY:	---
DATE:	6-1-79	REVISED	---
SCHEMATIC: ANALYZER/EQUALIZER			DRAWING NUMBER
MODEL AE 2420-R			1/4 1529



NOTES:
 1.) EQ AND TAPE SWITCHING SHOWN FOR CH. A ONLY.
 2.) SWITCHES SHOWN IN "OUT" POSITION.

SCALE: _____		DRAWN BY: JTH.	
		REVISED	
DATE: 6-2-79		REVISION	
SWITCHING DIAGRAM			
MODEL: AE 2420-R		DRAWING NUMBER	
		2/4 1530	

SOUNDCRAFTSMEN



NOTES:
 ① ALL RESISTANCES IN OHMS, ALL CAPACITANCES IN MICROFARADS,
 ② ALL IC'S 4136CP.
 ③ CIRCLED PIN DESIGNATIONS ARE FOR CHANNEL B.

SOUND CRAFTSMEN

SCALE: — APPROVED BY: —
 DATE: 7-1-79 REVISED

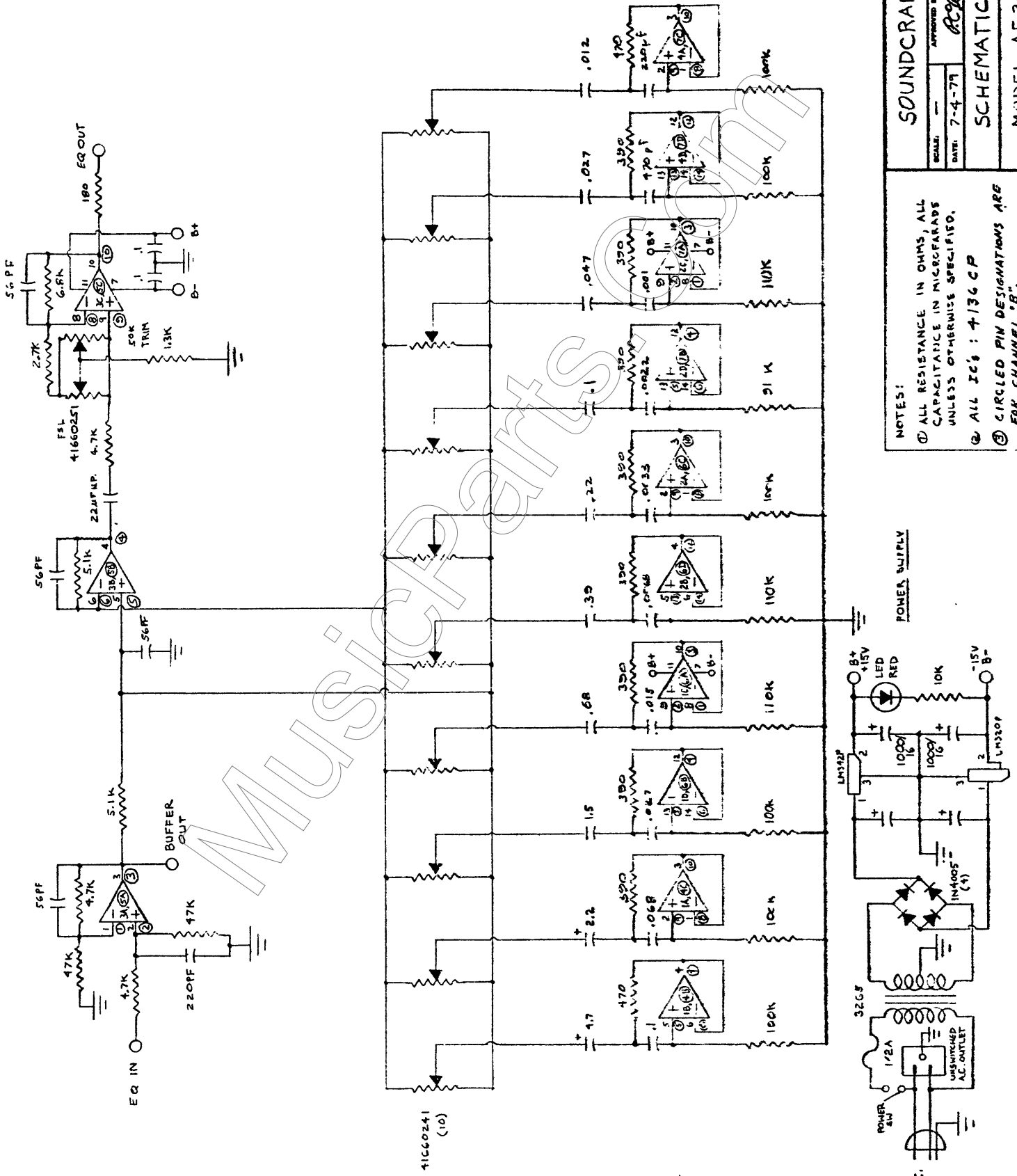
SCHMATIC: DIFFERENTIAL COMPARATOR

MODEL: AE 2420-R

3/4

DRAWING NUMBER
1531

EQUALIZER



NOTES:
 ① ALL RESISTANCE IN OHMS, ALL CAPACITANCE IN MICROFARADS UNLESS OTHERWISE SPECIFIED.
 ② ALL ICs : 4136 CP
 ③ CIRCLED PIN DESIGNATIONS ARE FOR CHANNEL 'B'

SOUND CRAFTSMEN
 SCHEMATIC EQUALIZER
 MODEL AE2420-R 1/4 1535

SCALE: --- APPROVED BY: RPP
 DATE: 7-4-74 REVISED: ---
 DRAWN BY: J.H.
 DRAWING NUMBER: ---