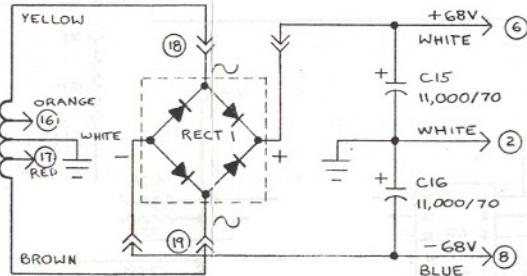
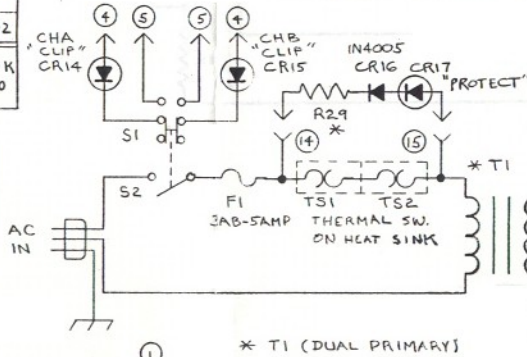


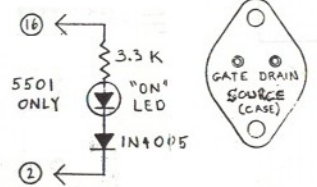
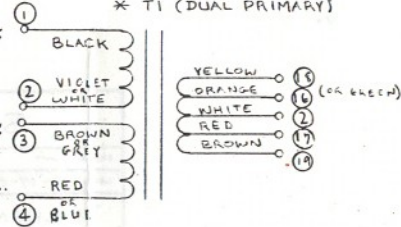
* PART NO.	MODEL 2502	MODEL 5501	MODEL 1801	MODEL 5502
R2	470K	47K	47K	470K
R14	820	620	820	620

* PART NO.	120 VAC	240 VAC
R29	10K	43K
T1	24G4	250P



FOR 240VOLT OPERATION:  
 ② AND ③ ARE TIED TOGETHER. INPUT ON ① AND ④ (SERIES)

FOR 120 VOLT OPERATION:  
 ② AND ④ ARE TIED TOGETHER. ① AND ③ TIED TOGETHER. (PARALLEL)



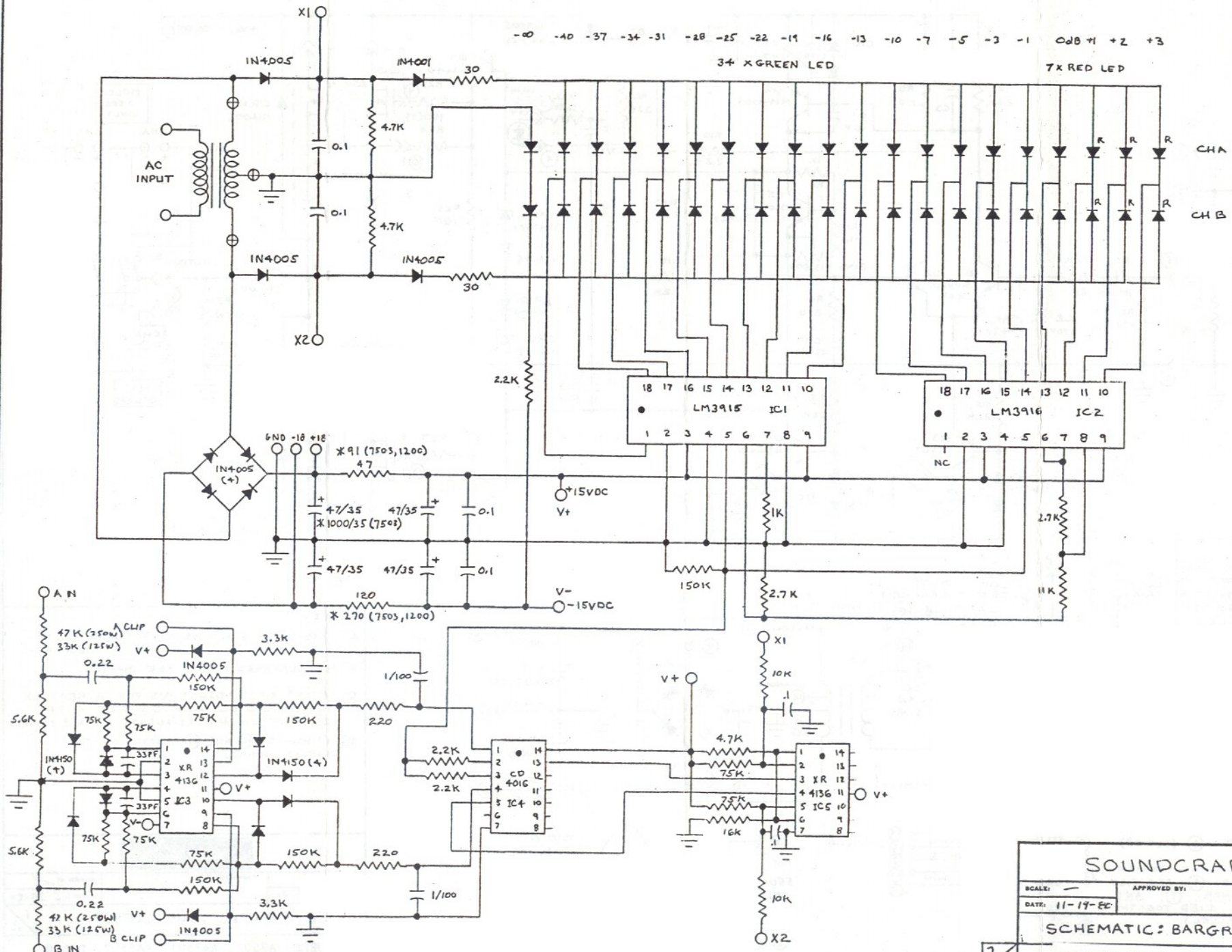
- NOTES:
- RESISTANCE IS IN OHMS, CAPACITANCE IS IN MICROFARADS UNLESS OTHERWISE SPECIFIED.
  - ALL UNMARKED DIODES ARE IN4150.
  - TO SET BIAS: ADJUST R13 FOR A READING OF 0.8 VOLTS DC. ACROSS R25 WITH NO INPUT SIGNAL. RE-ADJUST AFTER 3 MINUTES.
  - TIE POINTS ⑩ AND ⑪ SUPPLY AC TO DISPLAY BOARD.

**Soundcraftsmen**

SCALE: 1-1	APPROVED BY:	DRAWN BY: AH
DATE: 11-4-91		REVISED: 6-28-84

**SCHEMATIC : AMPLIFIER**

MODELS: A2502, RA5501, RA5502, DJ600, REFERENCE 2 & PA2X200.



**SOUNDCRAFTSMEN**

SCALE: —	APPROVED BY:	DRAWN BY: JH
DATE: 11-19-80		REVISED: 6-27-84
<b>SCHEMATIC: BARGRAPH INDICATOR</b>		
MODELS: A2502, REFERENCE 2 & RA5502		