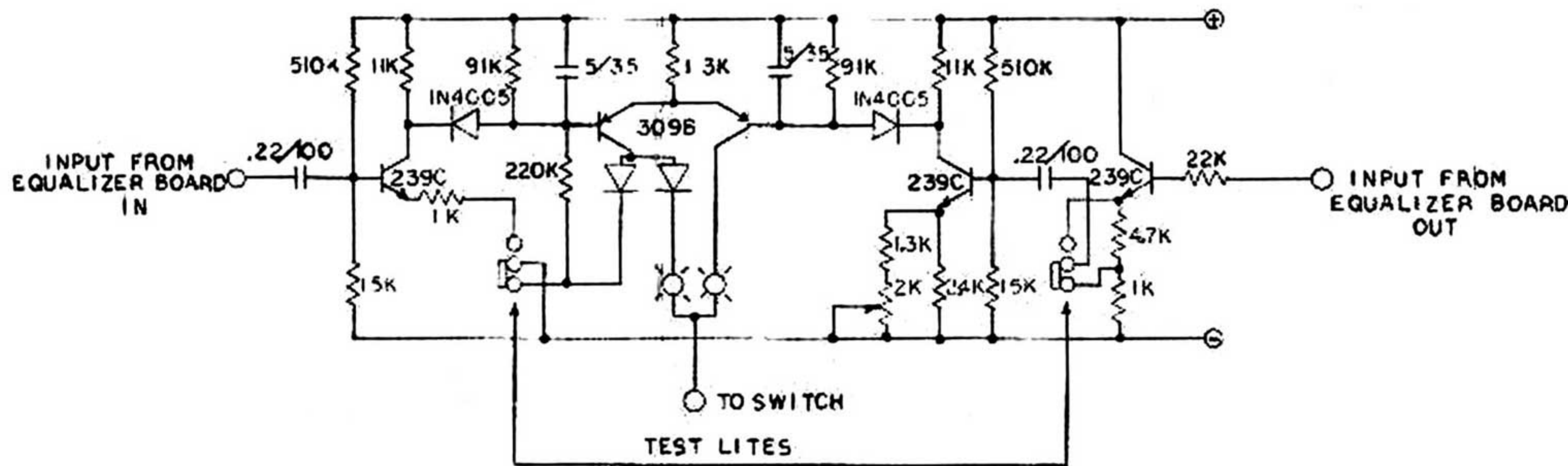
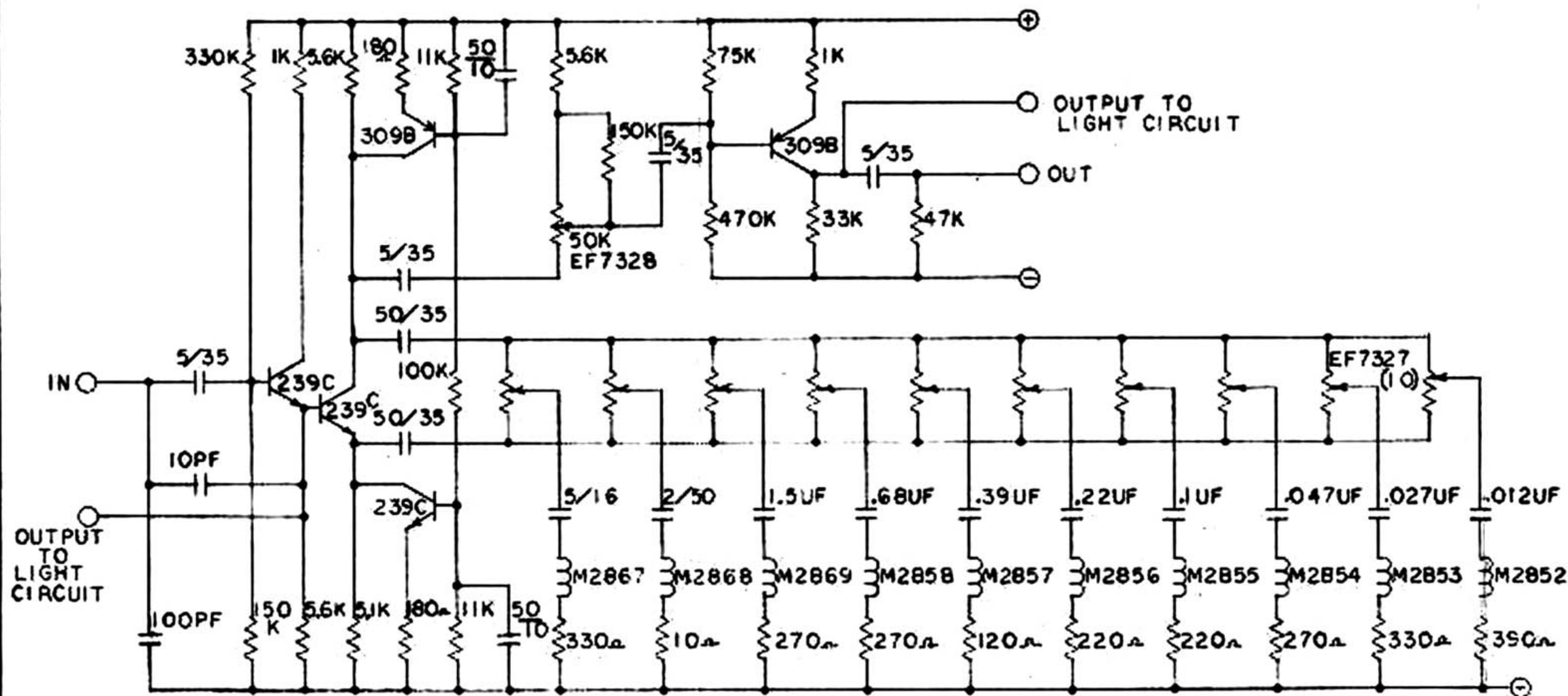
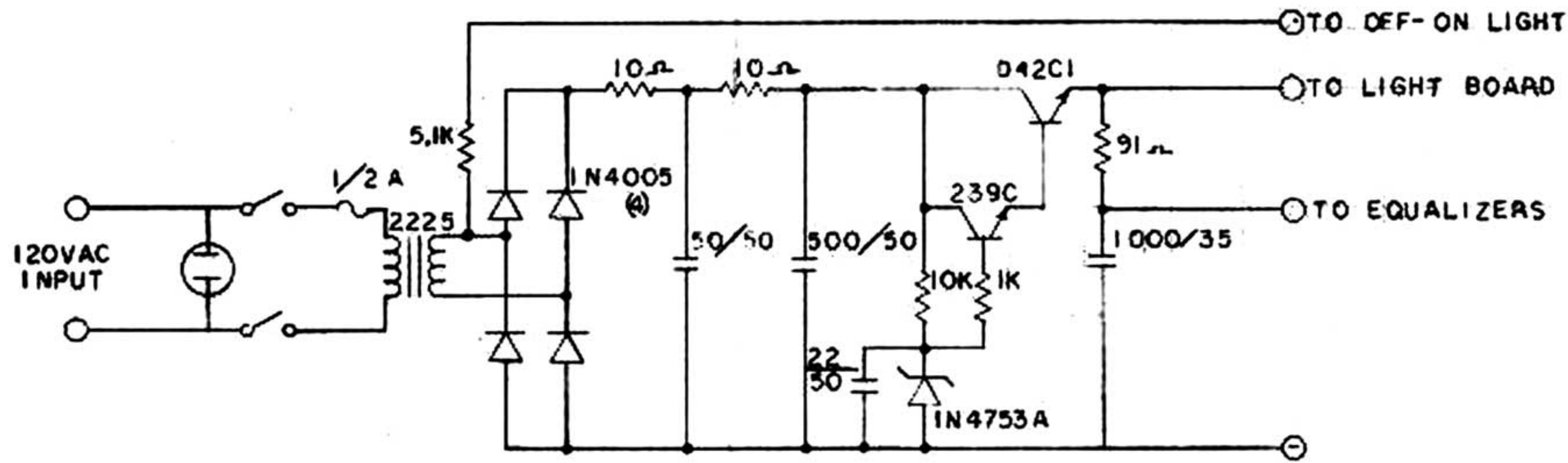


LIGHT BOARD



<b>SOUNDCRAFTSMEN</b> <b>MODEL NO. 22-12</b>		
SCALE:	APPROVED BY:	DRAWN BY: <i>6/74</i>
DATE: 7-21-74		REVISED:
SCHEMATIC 22-12 EQUALIZER		
PAGE 1 OF 2		PLATING NUMBER 1381





<b>SOUNDCRAFTSMEN MODEL NO. 22-12</b>		
SCALE:	APPROVED BY:	DRAWN BY: <i>Guy</i>
DATE: 10-15-74	REVISION:	
<b>SCHEMATIC 22-12 EQUALIZER</b>		
PAGE 2 OF 2		DRAWING NUMBER <b>1381</b>