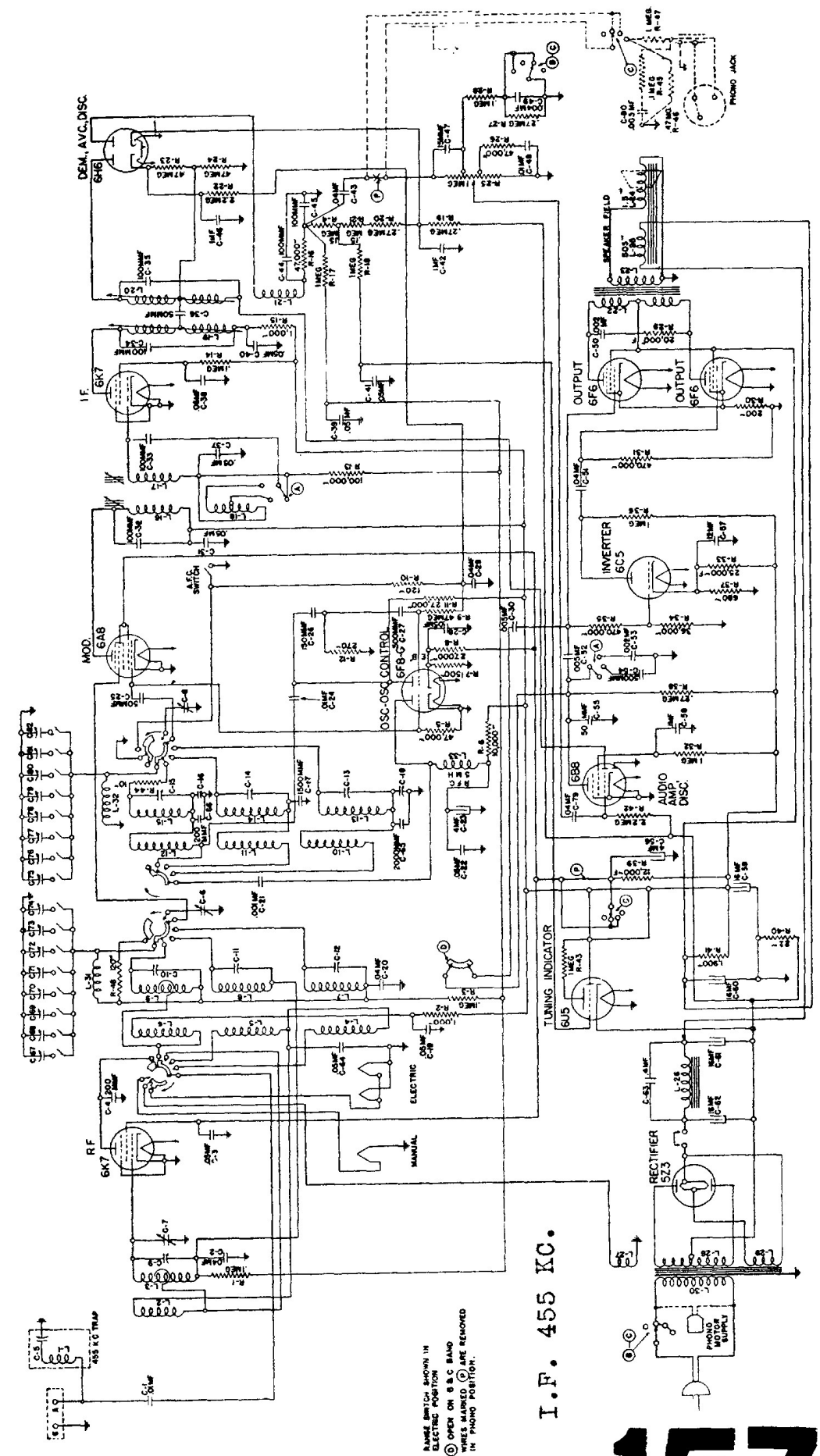


Stromberg-Carlson No. 350 Radio Receivers
 STROMBERG-CARLSON TELEPHONE MANUFACTURING COMPANY
 ROCHESTER, NEW YORK

ELECTRICAL SPECIFICATIONS

Type of Circuit.....Superheterodyne with A. F. C. Electric Tuning
 Tuning Ranges.....A—530 to 1700 Kc.; B—1700 to 5600 Kc.; C—5600 to 18,000 Kc.



I. F. 455 KC.