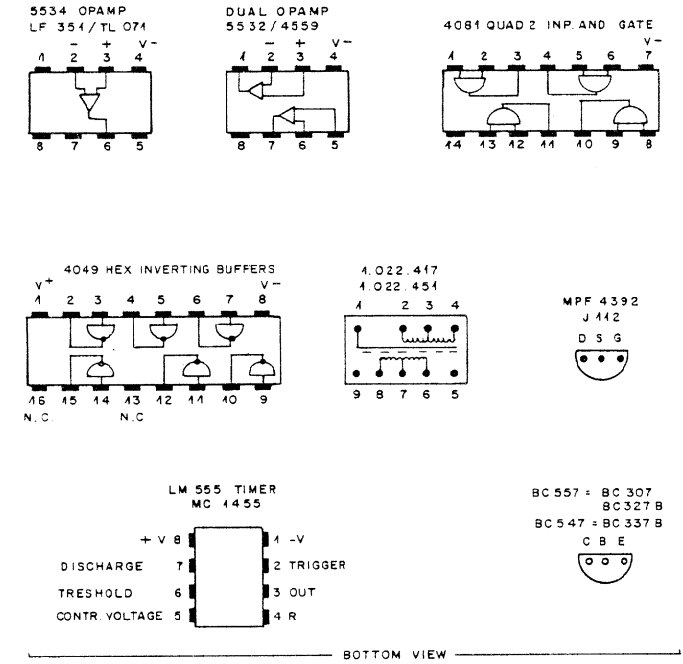


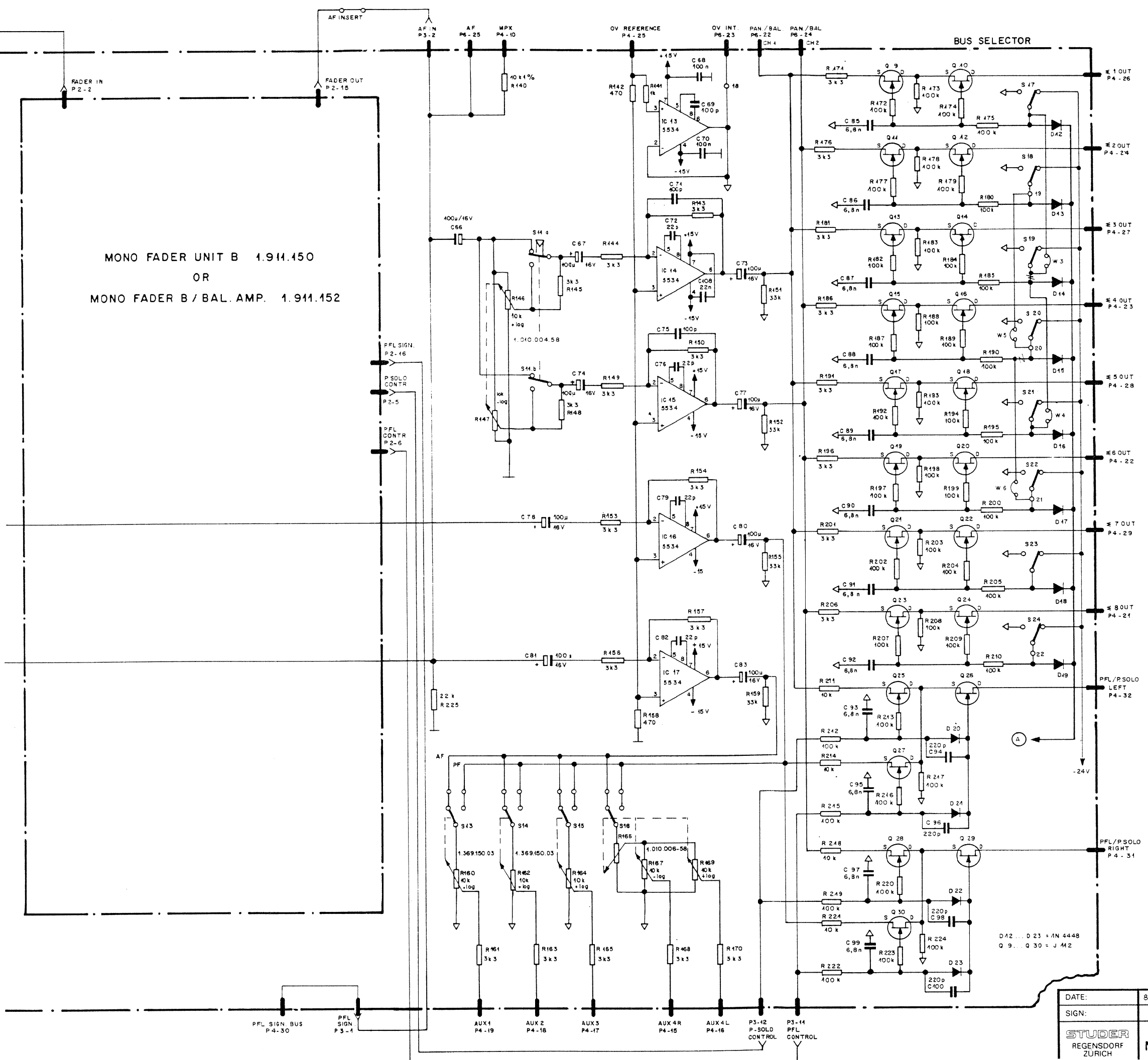
MONO FADER UNIT B 1.911.150
OR
MONO FADER B / BAL. AMP. 1.911.152

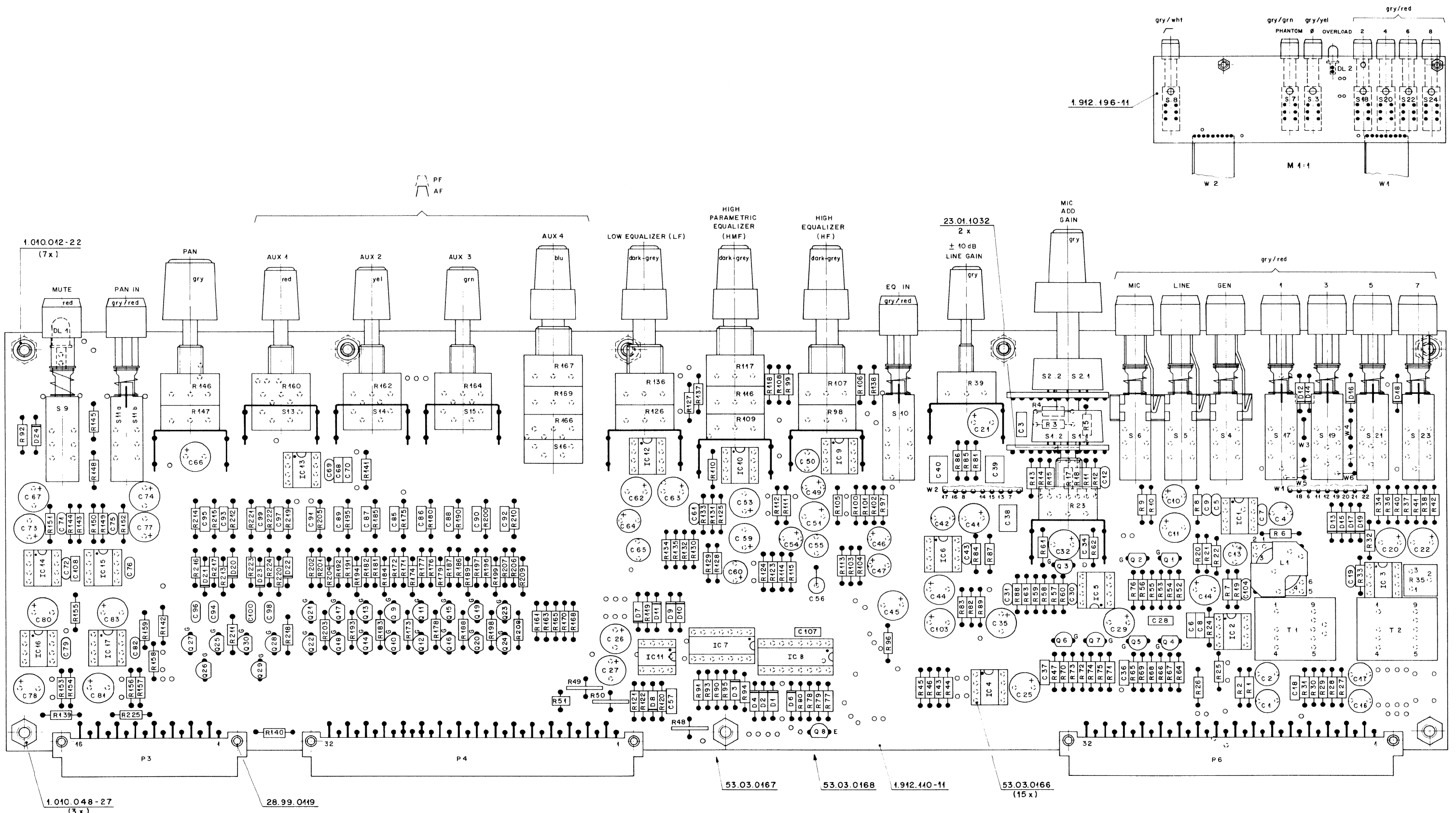
BUS SELECTOR

- | | | | | | |
|------------|----------|------------------------|------------------|------------------|----------------|
| P 5 | 1 TAPE a | P 4 | 1 MASTER SIGN. | P 3 | 1 PFL SIGN BUS |
| 2 TAPE b | OPTION 1 | 2 OVERLOAD | 2 DVL | 2 FADER OUT | 2 DVL |
| 3 SCREEN | | 3 -6V | 3 -15V | 3 -24V | 3 -15V |
| 4 LINE a | | 4 DVL | 4 OV A | 4 +15V | 4 OV A |
| 5 LINE b | | 5 -24V | 5 +48V | 5 -15V | 5 OV L |
| 6 SCREEN | | 6 MPX | 6 MIC SIGN. | 6 -6V | 6 PFL CONTR. |
| 7 | | 7 GEN. a | 7 GEN. b | 7 P. SOLO CONTR. | 7 |
| 8 | | 8 MIC. a | 8 MIC. b | 8 OV A LEFT | 8 |
| 9 | | 9 AUX 4 R OUT | 9 AUX 4 L OUT | 9 FADER INP | 9 |
| 10 PHANTOM | | 10 AUX 3 OUT | 10 AUX 2 OUT | 10 CH-OFF | 10 |
| 11 | | 11 AUX 4 OUT | 11 OV A | | |
| 12 | | 12 OV A | 12 8 OUT | | |
| 13 | | 13 6 OUT | 13 4 OUT | | |
| 14 | | 14 2 OUT | 14 OV REF | | |
| 15 | | 15 10 OUT | 15 1 OUT | | |
| 16 | | 16 3 OUT | 16 5 OUT | | |
| 17 | | 17 7 OUT | 17 P-FILTER OUT | | |
| 18 | | 18 P-FILTER IN | 18 PFL SIGN. BUS | | |
| 19 | | 19 LINE SIGN. | 19 PFL/P SOLO R | | |
| 20 | | 20 TAPE SIGN. OPTION 1 | 20 PFL/P SOLO L | | |



DATE:	8.1.85	2.10.89			
SIGN:	<i>Ge</i>	<i>Ge</i>			PAGE 3 OF 3
STUDER REGENSDORF ZÜRICH			MONO INPUT B 4 CH PTT		SC 1.912.126



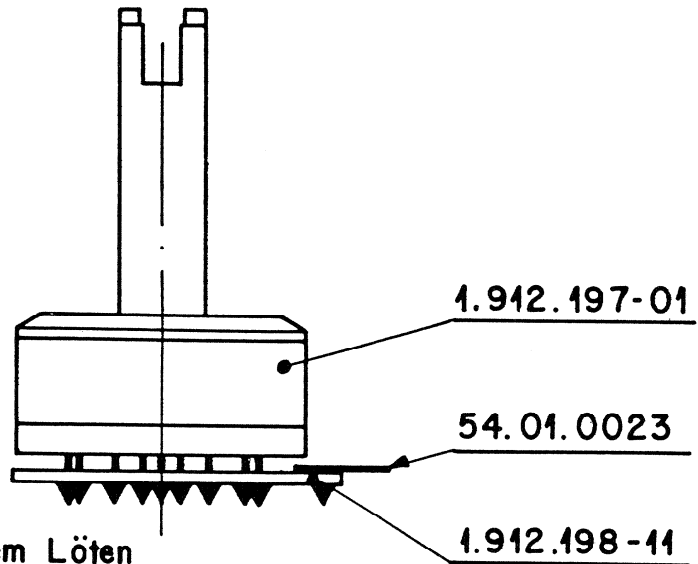


ONLY 4 CH : W3, W4, W5, W6
 // CIRCUIT INTERRUPT SOLDER SIDE

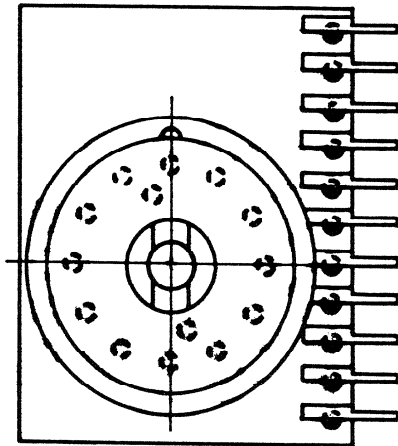
VALID FOR	NR. UNIT	NR. PL
4 CH	4.912.120-00	4.912.120-00
8 CH	4.912.122-00	4.912.120-00

① C 34 was C 33

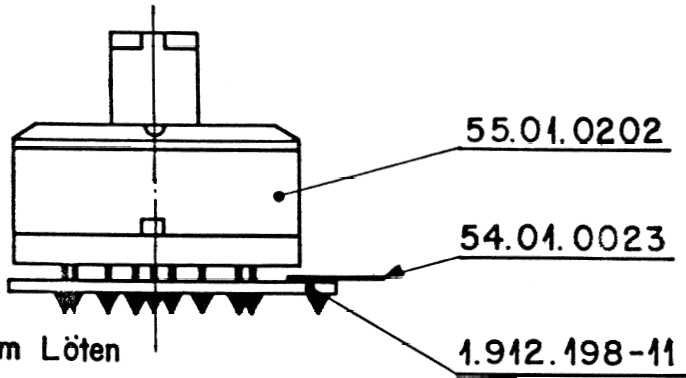
Werkstoff	Norm-Nr.:	Güte:	Änderung
	DIN-Bez.:	Beh.:	
Abmessung:	Zugehörige Unterlagen:	Fremmasstoleranz:	8.2.84 A.Ho
	Maßstab:	Datum	16.12.83 A.Ho
Ersetzt für:	Ersetzt durch:	Gez. Gepr. Ges. Index	7.10.83 A.Ho
STUDEF REGENSDORF ZÜRICH		Bezeichnung: Mono Input Unit B 4 CH / 8 CH Nummer: 4.912.120-00	



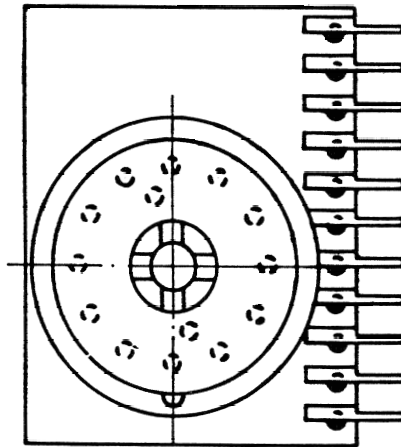
Schalter während dem Lötén
auf Print pressen



Werkstoff	Norm-Nr.:	Oberfläche	Güte:	Änderung						③	
	DIN-Bez.:		Beh.:								②
	Abmessung:										
Zugehörige Unterlagen:		Freimasstoleranz:	Maßstab:	Ausgabe		Datum		Gez.	Gepr.	Ges.	Index
		±	2 : 1	6.5.83 A.Ho							
Ersatz für:		Ersetzt durch:		Kopie für:							
STUDER REGENSDORF ZÜRICH		Bezeichnung: Switch - Board - B1		Nummer: 1.912.197-00							



Schalter während dem Lötén
auf Print pressen



Werkstoff	Norm-Nr.:	Güte:		Änderung					③	
	DIN-Bez.:	Oberfläche								②
	Abmessung:	Beh.:								①
Zugehörige Unterlagen:	Freimasstoleranz:	Maßstab:	Ausgabe		6.5.83	A.Ho	W	ka	④	
	±	2 : 1	Datum	Gez.	Gepr.	Ges.	Index			
Ersatz für:	Ersetzt durch:		Kopie für:							
STUDER REGENSDORF ZÜRICH	Benennung: Switch-Board - B 2		Nummer: 1.912.198-00							

IND.	POS.NO.	PART NO.	VALUE	SPECIFICATIONS / EQUIVALENT			MANUF.
	A.....1	1.912.197.00		SWITCH-BOARD-B1			
	A.....2	1.912.198.00		SWITCH-BOARD-B2			
	C.....1	59.05.1681	680 pF	1%	500V	PP	
	C.....2	59.05.1681	680 pF	1%	500V	PP	
	C.....3	59.06.0102	1 nF	10%	50V	PE	
	C.....4	59.22.6220	22 uF	-20%	25V	EL	
	C.....5	59.34.2220	22 pF	5%		CE	
	C.....6	59.06.0223	22 nF	10%	50V	PE	
	C.....7	59.34.2220	22 pF	5%		CE	
	C.....8	59.06.0223	22 nF	10%	50V	PE	
	C.....9	59.34.4221	220 pF	5%		CE	
	C.....10	59.22.6220	22 uF	-20%	25V	EL	
	C.....11	59.22.5470	47 uF	-20%	25V	EL	
	C.....12	59.34.4221	220 pF	5%		CE	
	C.....13	59.22.6220	22 uF	-20%	25V	EL	
	C.....14	59.22.2221	220 uF	-20%	6V	EL	
	C.....15		not used				
	C.....16	59.05.1681	680 pF	1%	500V	PP	
	C.....17	59.05.1681	680 pF	1%	500V	PP	
	C.....18	59.06.0682	6.8 nF	5%	50V	PE	
	C.....19	59.34.5391	390 pF	5%		CE	
	C.....20	59.22.4101	100 uF	-20%	16V	EL	
	C.....21	59.22.2221	220 uF	-20%	6V	EL	
	C.....22	59.22.4101	100 uF	-20%	16V	EL	
	C.....23		not used				
	C.....24		not used				
	C.....25	59.22.4101	100 uF	-20%	16V	EL	
	C.....26	59.22.4101	100 uF	-20%	16V	EL	
	C.....27	59.22.4101	100 uF	-20%	16V	EL	
	C.....28	59.06.0223	22 nF		50V	PE	
	C.....29	59.22.2221	220 uF	-20%	6V	EL	
	C.....30	59.34.2220	22 pF	5%		CE	
	C.....31	59.34.4101	100 pF	5%		CE	
	C.....32	59.22.2221	220 uF	-20%	6V	EL	
(01)	C.....33		not used				
(01)	C.....34	59.06.0682	6.8 nF	-20%	50V	PE	
S T U D E R (03) 84/10/04 TA			MONO-INPUT-UNIT-B-4CH/8CH	1.912.120.00	PAGE	1	

IND.	POS.NO.	PART NO.	VALUE	SPECIFICATIONS / EQUIVALENT			MANUF.
	C.....35	59.22.4101	100 uF	-20%	16V	EL	
	C.....36	59.06.0223	22 nF		50V	PE	
	C.....37	59.06.0223	22 nF		50V	PE	
	C.....38	59.06.5474	470 nF	5%	50V	PE	
	C.....39	59.06.5474	470 nF	5%	50V	PE	
	C.....40	59.06.5474	470 nF	5%	50V	PE	
	C.....41	59.22.4101	100 uF	-20%	16V	EL	
	C.....42	59.05.2222	2.2 nF	2.5%	50V	PP	
	C.....43	59.34.2220	22 pF	5%		CE	
	C.....44	59.22.4101	100 uF	-20%	16V	EL	
	C.....45	59.22.4101	100 uF	-20%	16V	EL	
	C.....46	59.22.6220	22 uF	-20%	25V	EL	
	C.....47	59.22.6220	22 uF	-20%	25V	EL	
	C.....48		not used				
	C.....49	59.22.6220	22 uF	-20%	25V	EL	
	C.....50	59.05.1103	10 nF	1%	50V	PP	
	C.....51	59.22.4101	100 uF	-20%	16V	EL	
	C.....52		not used				
	C.....53	59.22.4101	100 uF	-20%	16V	EL	
	C.....54	59.22.6220	22 uF	-20%	25V	EL	
	C.....55	59.05.2152	1.5 nF	2.5%	50V	PP	
	C.....56	59.12.7123	12 nF	1%	50V	PS	
	C.....57	59.06.0223	22 nF	10%	50V	PE	
	C.....58		not used				
	C.....59	59.22.4101	100 uF	-20%	16V	EL	
	C.....60	59.22.6220	22 uF	-20%	25V	EL	
	C.....61	59.34.4101	100 pF	5%		CE	
	C.....62	59.22.4101	100 uF	-20%	16V	EL	
	C.....63	59.22.4101	100 uF	-20%	16V	EL	
	C.....64	59.22.6220	22 uF	-20%	25V	EL	
	C.....65	59.05.2153	15 nF	2.5%	50V	PP	
	C.....66	59.22.4101	100 uF	-20%	16V	EL	
	C.....67	59.22.4101	100 uF	-20%	16V	EL	
	C.....68	59.06.0223	22 nF	10%	50V	PE	
(03)	C.....69	59.34.4101	100 pF	5%		CE	
	C.....70	59.06.0223	22 nF	10%	50V	PE	
	C.....71	59.34.4101	100 pF	5%		CE	
S T U D E R (03) 84/10/04 TA			MONO-INPUT-UNIT-B-4CH/8CH	1.912.120.00	PAGE	2	

IND.	POS.NO.	PART NO.	VALUE	SPECIFICATIONS / EQUIVALENT		MANUF.
C....72		59.34.2220	22 pF	5%		CE
C....73		59.22.4101	100 uF	-20%	16V	EL
C....74		59.22.4101	100 uF	-20%	16V	EL
C....75		59.34.4101	100 pF	5%		CE
C....76		59.34.2220	22 pF	5%		CE
C....77		59.22.4101	100 uF	-20%	16V	EL
C....78		59.22.4101	100 uF	-20%	16V	EL
C....79		59.34.2220	22 pF	5%		CE
C....80		59.22.4101	100 uF	-20%	16V	EL
C....81		59.22.4101	100 uF	-20%	16V	EL
C....82		59.34.2220	22 pF	5%		CE
C....83		59.22.4101	100 uF	-20%	16V	EL
C....84			not used			
C....85		59.06.0682	6.8 nF		50V	PE
C....86		59.06.0682	6.8 nF		50V	PE
C....87		59.06.0682	6.8 nF		50V	PE
C....88		59.06.0682	6.8 nF		50V	PE
C....89		59.06.0682	* 6.8 nF		50V	PE
C....90		59.06.0682	* 6.8 nF		50V	PE
C....91		59.06.0682	* 6.8 nF		50V	PE
C....92		59.06.0682	* 6.8 nF		50V	PE
C....93		59.06.0682	6.8 nF		50V	PE
C....94		59.34.4221	220 pF	5%		CE
C....95		59.06.0682	6.8 nF		50V	PE
C....96		59.34.4222	220 pF	5%		CE
C....97		59.06.0682	6.8 nF		50V	PE
C....98		59.34.4221	220 pF	5%		CE
C....99		59.06.0682	6.8 nF		50V	PE
C...100		59.34.4221	220 pF	5%		CE
C...101			not used			
C...102			not used			
C...103		59.22.4101	100 uF	-20%	16V	EL
C...104		59.34.4221	220 pF	5%		CE
C...105			680 pF	1%	500V	PP 59051681 option 1
C...106			680 pF	1%	500V	PP 59051681 option 1
C...107		59.06.0223	22 nF	10%	50V	PE
C...108		59.06.0223	22 nF	10%	50V	PE

S T U D E R (03) 84/10/04 TA MONO-INPUT-UNIT-B-4CH/8CH 1.912.120.00 PAGE 3

IND.	POS.NO.	PART NO.	VALUE	SPECIFICATIONS / EQUIVALENT		MANUF.
C...109			not used			
C...110			not used			
C...111			not used			
D.....1		50.04.0125	1N4448			any
D.....2		50.04.0125	1N4448			any
D.....3		50.04.0125	1N4448			any
D.....4		50.04.0125	1N4448			any
D.....5			not used			
D.....6		50.04.0125	1N4448			any
D.....7		50.04.0112	Z 5.1V	400mW	BZX83C 5.1, BZX55C 5.1, ZPD 5.1	any
D.....8		50.04.0125	1N4448			any
D.....9		50.04.0125	1N4448			any
D...10		50.04.0125	1N4448			any
D...11		50.04.0125	1N4448			any
D...12		50.04.0125	1N4448			any
D...13		50.04.0125	* 1N4448			any
D...14		50.04.0125	1N4448			any
D...15		50.04.0125	1N4448			any
D...16		50.04.0125	* 1N4448			any
D...17		50.04.0125	1N4448			any
D...18		50.04.0125	* 1N4448			any
D...19		50.04.0125	* 1N4448			any
D...20		50.04.0125	1N4448			any
D...21		50.04.0125	1N4448			any
D...22		50.04.0125	1N4448			any
D...23		50.04.0125	1N4448			any
D...24		50.04.0125	1N4448			any
DL....1		50.04.2111	MV5753	red		GI,HP
DL....2		50.04.2111	MV5753	red		GI,HP
IC....1		50.05.0244	NE5534NB	single op. amp.	low noise	Sig,Ra
IC....2		50.09.0106	NE5532AN	dual op. amp.	low noise	Sig,Ex,Ra
IC....3		50.09.0106	NE5532AN	dual op. amp.	low noise	Sig,Ex,Ra
IC....4		50.09.0103	TL 071	single op. amp.		TI
IC....5		50.09.0105	NE5532	dual op. amp.		Sig,Ex,Ra

S T U D E R (03) 84/10/04 TA MONO-INPUT-UNIT-B-4CH/8CH 1.912.120.00 PAGE 4

IND.	POS.NO.	PART NO.	VALUE	SPECIFICATIONS / EQUIVALENT	MANUF.
IC....6		50.05.0243	NE5534N	single op. amp.	TI,Sig,Ra
IC....7		50.07.0081	CD4081	2 input and-gate CMOS	Fc,Mot,RCA
IC....8		50.07.0049	CD4049	hex. inverter CMOS	Fc,Mot
IC....9		50.09.0107	RC4559	dual op. amp.	Ra,NEC
IC...10		50.09.0107	RC4559	dual op. amp.	Ra,NEC
IC...11		50.05.0158	NE 555	timer	Sig,Mot,NSC
IC...12		50.09.0105	NE5532	dual op. amp.	Sig,Ex,Ra
IC...13		50.05.0243	NE5534N	single op. amp.	TI,Sig,Ra
IC...14		50.05.0243	NE5534N	single op. amp.	TI,Sig,Ra
IC...15		50.05.0243	NE5534N	single op. amp.	TI,Sig,Ra
IC...16		50.05.0243	NE5534N	single op. amp.	TI,Sig,Ra
IC...17		50.05.0243	NE5534N	single op. amp.	TI,Sig,Ra
L.....1	1.022.207.00			hf-sym.choke	St
P.....3	54.11.2007		2*8 pin	euroconnector	Bu
P.....4	54.01.0359		2*16pin	euroconnector	Bu
P.....6	54.01.0359		2*16pin	euroconnector	Bu
Q.....1	50.03.0350		J 112	N-JFET	NS,Mot,Six
Q.....2	50.03.0350		J 112	N-JFET	NS,Mot,Six
Q.....3	50.03.0350		J 112	N-JFET	NS,Mot,Six
Q.....4	50.03.0350		J 112	N-JFET	NS,Mot,Six
Q.....5	50.03.0350		J 112	N-JFET	NS,Mot,Six
Q.....6	50.03.0350		J 112	N-JFET	NS,Mot,Six
Q.....7	50.03.0350		J 112	N-JFET	NS,Mot,Six
Q.....8	50.03.0436		BC 237	NPN IC>100mA, B>100	any
Q.....9	50.03.0350		J 112	N-JFET	NS,Mot,Six
Q....10	50.03.0350		J 112	N-JFET	NS,Mot,Six
Q....11	50.03.0350		J 112	N-JFET	NS,Mot,Six
Q....12	50.03.0350		J 112	N-JFET	NS,Mot,Six
Q....13	50.03.0350		J 112	N-JFET	NS,Mot,Six
Q....14	50.03.0350		J 112	N-JFET	NS,Mot,Six
Q....15	50.03.0350		J 112	N-JFET	NS,Mot,Six
Q....16	50.03.0350		J 112	N-JFET	NS,Mot,Six
Q....17	50.03.0350	*	J 112	N-JFET	NS,Mot,Six
Q....18	50.03.0350	*	J 112	N-JFET	NS,Mot,Six

S T U D E R (03) 84/10/04 TA MONO-INPUT-UNIT-B-4CH/8CH 1.912.120.00 PAGE 5

IND.	POS.NO.	PART NO.	VALUE	SPECIFICATIONS / EQUIVALENT	MANUF.
Q....19		50.03.0350	* J 112	N-JFET	NS,Mot,Six
Q....20		50.03.0350	* J 112	N-JFET	NS,Mot,Six
Q....21		50.03.0350	* J 112	N-JFET	NS,Mot,Six
Q....22		50.03.0350	* J 112	N-JFET	NS,Mot,Six
Q....23		50.03.0350	* J 112	N-JFET	NS,Mot,Six
Q....24		50.03.0350	* J 112	N-JFET	NS,Mot,Six
Q....25		50.03.0350	J 112	N-JFET	NS,Mot,Six
Q....26		50.03.0350	J 112	N-JFET	NS,Mot,Six
Q....27		50.03.0350	J 112	N-JFET	NS,Mot,Six
Q....28		50.03.0350	J 112	N-JFET	NS,Mot,Six
Q....29		50.03.0350	J 112	N-JFET	NS,Mot,Six
Q....30		50.03.0350	J 112	N-JFET	NS,Mot,Six
R.....1		57.11.3103	10 kOhm	1% 0.25W MF	
R.....2		57.11.3103	10 kOhm	1% 0.25W MF	
R.....3		57.11.3432	4.3 kOhm	1% 0.25W MF	
R.....4		57.11.3432	4.3 kOhm	1% 0.25W MF	
R.....5		57.11.4152	1.5 kOhm	5% 0.25W MF	
R.....6		57.11.4223	22 kOhm	5% 0.25W MF	
R.....7		57.11.4330	33 Ohm	5% 0.25W MF	
R.....8		57.11.4104	100 kOhm	5% 0.25W MF	
R.....9		57.11.4223	22 kOhm	5% 0.25W MF	
R.....10		57.11.3152	1.5 kOhm	1% 0.25W MF	
R.....11		57.11.3162	1.6 kOhm	1% 0.25W MF	
R.....12		57.11.3123	12 kOhm	1% 0.25W MF	
R.....13		57.11.3561	560 Ohm	1% 0.25W MF	
R.....14		57.11.3362	3.6 kOhm	1% 0.25W MF	
R.....15		57.11.3153	15 kOhm	1% 0.25W MF	
R.....16			not used		
R.....17		57.11.3331	330 Ohm	1% 0.25W MF	
R.....18		57.11.3470	47 Ohm	1% 0.25W MF	
R.....19		57.11.4104	100 kOhm	5% 0.25W MF	
R.....20		57.11.4472	4.7 kOhm	5% 0.25W MF	
R.....21		57.11.4471	470 Ohm	5% 0.25W MF	
R.....22		57.11.4101	100 Ohm	5% 0.25W MF	
R.....23	1.010.002.58		10 kOhm	20% pos. log.	variable resistor St
R.....24		57.11.4332	3.3 kOhm	5% 0.25W CF	

S T U D E R (03) 84/10/04 TA MONO-INPUT-UNIT-B-4CH/8CH 1.912.120.00 PAGE 6

IND.	POS.NO.	PART NO.	VALUE	SPECIFICATIONS / EQUIVALENT			MANUF.
R....25		57.11.4332	3.3 kOhm	5%	0.25W	CF	
R....26		57.11.4330	33 Ohm	5%	0.25W	CF	
R....27		57.11.3152	1.5 kOhm	1%	0.25W	MF	
R....28		57.11.3152	1.5 kOhm	1%	0.25W	MF	
R....29		57.11.3392	3.9 kOhm	1%	0.25W	MF	
R....30		57.11.3392	3.9 kOhm	1%	0.25W	MF	
R....31		57.11.3392	3.9 kOhm	5%	0.25W	MF	
R....32		57.11.4101	100 Ohm	5%	0.25W	MF	
R....33		57.11.3472	4.7 kOhm	1%	0.25W	MF	
R....34		57.11.3432	4.3 kOhm	1%	0.25W	MF	
R....35		58.01.8502	5 kOhm	10%			
R....36		57.11.4182	1.8 kOhm	5%	0.25W	MF	
R....37		57.11.4472	4.7 kOhm	5%	0.25W	MF	
R....38		57.11.3132	1.3 kOhm	5%	0.25W	MF	
R....39	1.010.001.58		10 kOhm	20%	lin.	variable resistor	St
R....40		57.11.4472	4.7 kOhm	5%	0.25W	MF	
R....41		57.11.3132	1.3 kOhm	5%	0.25W	MF	
R....42		57.11.4333	33 kOhm	5%	0.25W	MF	
R....43		57.11.3472	4.7 kOhm	1%	0.25W	CF	
R....44		57.11.3472	4.7 kOhm	1%	0.25W	CF	
R....45		57.11.3473	47 kOhm	1%	0.25W	CF	
R....46		57.11.3473	47 kOhm	1%	0.25W	CF	
R....47		57.11.4333	33 kOhm	5%	0.25W	CF	
R....48		57.99.0209	5.6 Ohm			PTC	Philips Nr.2322 662 91005
R....49		57.99.0209	5.6 Ohm			PTC	Philips Nr.2322 662 91005
R....50		57.99.0209	5.6 Ohm			PTC	Philips Nr.2322 662 91005
R....51		57.99.0206	50 Ohm			PTC	Philips Nr.2322 660 91008
R....52		57.11.4682	6.8 kOhm	5%	0.25W	CF	
R....53		57.11.4104	100 kOhm	5%	0.25W	CF	
R....54		57.11.4104	100 kOhm	5%	0.25W	CF	
R....55		57.11.4104	100 kOhm	5%	0.25W	CF	
R....56		57.11.6106	10 MOhm	10%	0.25W	CF	
R....57		57.11.4682	6.8 kOhm	5%	0.25W	CF	
R....58		57.11.4332	3.3 kOhm	5%	0.25W	CF	
R....59		57.11.4332	3.3 kOhm	5%	0.25W	CF	
R....60		57.11.4682	6.8 kOhm	5%	0.25W	CF	
R....61		57.11.6106	10 MOhm	10%	0.25W	CF	

S T U D E R (03) 84/10/04 TA MONO-INPUT-UNIT-B-4CH/8CH 1.912.120.00 PAGE 7

IND.	POS.NO.	PART NO.	VALUE	SPECIFICATIONS / EQUIVALENT			MANUF.
R....62		57.11.4105	1 MOhm	5%	0.25W	CF	
R....63		57.11.4333	33 kOhm	5%	0.25W	CF	
R....64		57.11.4682	6.8 kOhm	5%	0.25W	CF	
R....65		57.11.4335	3.3 MOhm	5%	0.25W	CF	
R....66		57.11.4104	100 kOhm	5%	0.25W	CF	
R....67		57.11.4104	100 kOhm	5%	0.25W	CF	
R....68		57.11.4104	100 kOhm	5%	0.25W	CF	
R....69		57.11.4103	10 kOhm	5%	0.25W	CF	
R....70		57.11.3202	2 kOhm	1%	0.25	CF	
R....71		57.11.4335	3.3 MOhm	5%	0.25W	CF	
R....72		57.11.4104	100 kOhm	5%	0.25W	CF	
R....73		57.11.4104	100 kOhm	5%	0.25W	CF	
R....74		57.11.4104	100 kOhm	5%	0.25W	CF	
R....75		57.11.4103	10 kOhm	5%	0.25W	CF	
R....76		57.11.4104	100 kOhm	5%	0.25W	CF	
R....77		57.11.4223	22 kOhm	5%	0.25W	CF	
R....78		57.11.4332	3.3 kOhm	5%	0.25W	CF	
R....79		57.11.4104	100 kOhm	5%	0.25W	CF	
R....80		57.11.4104	100 kOhm	5%	0.25W	CF	
R....81		57.11.4224	220 kOhm	5%	0.25W	CF	
R....82		57.11.4332	3.3 kOhm	5%	0.25W	CF	
R....83		57.11.4104	100 kOhm	5%	0.25W	CF	
R....84		57.11.3102	1 kOhm	1%	0.25W	CF	
R....85		57.11.3473	47 kOhm	1%	0.25W	CF	
R....86		57.11.3822	8.2 kOhm	1%	0.25W	CF	
R....87		57.11.4104	100 kOhm	5%	0.25W	CF	
R....88		57.11.4330	33 Ohm	5%	0.25W	CF	
R....89		57.11.4223	22 kOhm	5%	0.25W	CF	
R....90		57.11.4104	100 kOhm	5%	0.25W	CF	
R....91		57.11.4104	100 kOhm	5%	0.25W	CF	
R....92		57.11.4331	330 Ohm	5%	0.25W	CF	
R....93		57.11.4102	1 kOhm	5%	0.25W	CF	
R....94		57.11.6106	10 MOhm	10%	0.25W	CF	
R....95		57.11.4104	100 kOhm	5%	0.25W	CF	
R....96		57.11.4333	33 kOhm	5%	0.25W	CF	
R....97		57.11.4121	120 Ohm	5%	0.25W	CF	
R....98	1.010.003.58		4.7 kOhm	20%	lin.	variable resistor	St

S T U D E R (03) 84/10/04 TA MONO-INPUT-UNIT-B-4CH/8CH 1.912.120.00 PAGE 8

IND.	POS.NO.	PART NO.	VALUE	SPECIFICATIONS / EQUIVALENT	MANUF.
R....99		57.11.4121	120 Ohm	5% 0.25W CF	
R...100		57.11.4103	10 kOhm	5% 0.25W CF	
R...101		57.11.4103	10 kOhm	5% 0.25W CF	
R...102		57.11.3682	6.8 kOhm	1% 0.25W CF	
R...103		57.11.3562	5.6 kOhm	1% 0.25W CF	
R...104		57.11.4104	100 kOhm	5% 0.25W CF	
R...105		57.11.4684	680 kOhm	5% 0.25W CF	
R...106		57.11.3392	3.9 kOhm	1% 0.25W CF	
R...107			100 kOhm	10% neg.log.variable resistor, see R98	St
R...108		57.11.4561	560 Ohm	5% 0.25W CF	
R...109		1.010.005.58	4.7 kOhm	20% lin. variable resistor	St
R...110		57.11.4561	560 Ohm	5% 0.25W CF	
R...111		57.11.4103	10 kOhm	5% 0.25W CF	
R...112		57.11.4103	10 kOhm	5% 0.25W CF	
R...113		57.11.4105	1 MOhm	5% 0.25W CF	
R...114		57.11.4105	1 MOhm	5% 0.25W CF	
R...115		57.11.3472	4.7 kOhm	1% 0.25W CF	
R...116			100 kOhm	10% neg.log.variable resistor, see R109	St
R...117			100 kOhm	10% neg.log.variable resistor, see R109	St
R...118		57.11.3512	5.1 kOhm	1% 0.25W CF	
R...119		57.11.4103	10 kOhm	5% 0.25W CF	
R...120		57.11.4335	3.3 MOhm	5% 0.25W CF	
R...121		57.11.4103	10 kOhm	5% 0.25W CF	
R...122		57.11.4331	330 Ohm	5% 0.25W CF	
R...123		57.11.4103	10 kOhm	5% 0.25W CF	
R...124		57.11.4103	10 kOhm	5% 0.25W CF	
R...125		57.11.4121	120 Ohm	5% 0.25W CF	
R...126		1.010.003.58	4.7 kOhm	20% lin. variable resistor	St
R...127		57.11.4121	120 Ohm	5% 0.25W CF	
R...128		57.11.3682	6.8 kOhm	1% 0.25W CF	
R...129		57.11.3562	5.6 kOhm	1% 0.25W CF	
R...130		57.11.4104	100 kOhm	5% 0.25W CF	
R...131		57.11.4103	10 kOhm	5% 0.25W CF	
R...132		57.11.4684	680 kOhm	5% 0.25W CF	
R...133		57.11.4103	10 kOhm	5% 0.25W CF	
R...134		57.11.3472	4.7 kOhm	1% 0.25W CF	
R...135		57.11.4223	22 kOhm	5% 0.25W CF	

S T U D E R (03) 84/10/04 TA MONO-INPUT-UNIT-B-4CH/8CH 1.912.120.00 PAGE 9

IND.	POS.NO.	PART NO.	VALUE	SPECIFICATIONS / EQUIVALENT	MANUF.
R...136			100 kOhm	10% neg.log.variable resistor, see R126	St
R...137		57.11.4223	22 kOhm	5% 0.25W CF	
R...138		57.11.4182	1.8 kOhm	5% 0.25W CF	
R...139		57.11.4330	33 Ohm	5% 0.25W CF	
R...140		57.11.3103	10 kOhm	1% 0.25W CF	
R...141		57.11.4102	1 kOhm	5% 0.25W CF	
R...142		57.11.4471	470 Ohm	5% 0.25W CF	
R...143		57.11.4332	3.3 kOhm	5% 0.25W CF	
R...144		57.11.4332	3.3 kOhm	5% 0.25W CF	
R...145		57.11.4332	3.3 kOhm	5% 0.25W CF	
R...146		1.010.004.58	10 kOhm	10% pos.log.variable resistor	St
R...147			10 kOhm	10% neg.log.variable resistor, see R146	St
R...148		57.11.4332	3.3 kOhm	5% 0.25W CF	
R...149		57.11.4332	3.3 kOhm	5% 0.25W CF	
R...150		57.11.4332	3.3 kOhm	5% 0.25W CF	
R...151		57.11.4333	33 kOhm	5% 0.25W CF	
R...152		57.11.4333	33 kOhm	5% 0.25W CF	
R...153		57.11.4332	3.3 kOhm	5% 0.25W CF	
R...154		57.11.4332	3.3 kOhm	5% 0.25W CF	
R...155		57.11.4333	33 kOhm	5% 0.25W CF	
R...156		57.11.4332	3.3 kOhm	5% 0.25W CF	
R...157		57.11.4332	3.3 kOhm	5% 0.25W CF	
R...158		57.11.4471	470 Ohm	5% 0.25W CF	
R...159		57.11.4333	33 kOhm	5% 0.25W CF	
R...160		1.369.150.03	10 kOhm	20% pos.log.variable resistor	St
R...161		57.11.4332	3.3 kOhm	5% 0.25W CF	
R...162		1.369.150.03	10 kOhm	20% pos.log.variable resistor	St
R...163		57.11.4332	3.3 kOhm	5% 0.25W CF	
R...164		1.369.150.03	10 kOhm	20% pos.log.variable resistor	St
R...165		57.11.4332	3.3 kOhm	5% 0.25W CF	
R...166		1.010.006.58	4.7 kOhm	20% lin. variable resistor	St
R...167			10 kOhm	20% neg.log.variable resistor, see R166	St
R...168		57.11.4332	3.3 kOhm	5% 0.25W CF	
R...169			10 kOhm	20% pos.log.variable resistor, see R166	St
R...170		57.11.4332	3.3 kOhm	5% 0.25W CF	
R...171		57.11.4332	3.3 kOhm	5% 0.25W CF	
R...172		57.11.4104	100 kOhm	5% 0.25W CF	

S T U D E R (03) 84/10/04 TA MONO-INPUT-UNIT-B-4CH/8CH 1.912.120.00 PAGE 10

IND.	POS.NO.	PART NO.	VALUE	SPECIFICATIONS / EQUIVALENT	MANUF.
R...	173	57.11.4104	100 kOhm	5% 0.25W CF	
R...	174	57.11.4104	100 kOhm	5% 0.25W CF	
R...	175	57.11.4104	100 kOhm	5% 0.25W CF	
R...	176	57.11.4332	3.3 kOhm	5% 0.25W CF	
R...	177	57.11.4104	100 kOhm	5% 0.25W CF	
R...	178	57.11.4104	100 kOhm	5% 0.25W CF	
R...	179	57.11.4104	100 kOhm	5% 0.25W CF	
R...	180	57.11.4104	100 kOhm	5% 0.25W CF	
R...	181	57.11.4332	3.3 kOhm	5% 0.25W CF	
R...	182	57.11.4104	100 kOhm	5% 0.25W CF	
R...	183	57.11.4104	100 kOhm	5% 0.25W CF	
R...	184	57.11.4104	100 kOhm	5% 0.25W CF	
R...	185	57.11.4104	100 kOhm	5% 0.25W CF	
R...	186	57.11.4332	3.3 kOhm	5% 0.25W CF	
R...	187	57.11.4104	100 kOhm	5% 0.25W CF	
R...	188	57.11.4104	100 kOhm	5% 0.25W CF	
R...	189	57.11.4104	100 kOhm	5% 0.25W CF	
R...	190	57.11.4104	100 kOhm	5% 0.25W CF	
R...	191	57.11.4332	*3.3 kOhm	5% 0.25W CF	
R...	192	57.11.4104	*100 kOhm	5% 0.25W CF	
R...	193	57.11.4104	*100 kOhm	5% 0.25W CF	
R...	194	57.11.4104	*100 kOhm	5% 0.25W CF	
R...	195	57.11.4104	*100 kOhm	5% 0.25W CF	
R...	196	57.11.4332	*3.3 kOhm	5% 0.25W CF	
R...	197	57.11.4104	*100 kOhm	5% 0.25W CF	
R...	198	57.11.4104	*100 kOhm	5% 0.25W CF	
R...	199	57.11.4104	*100 kOhm	5% 0.25W CF	
R...	200	57.11.4104	*100 kOhm	5% 0.25W CF	
R...	201	57.11.4332	*3.3 kOhm	5% 0.25W CF	
R...	202	57.11.4104	*100 kOhm	5% 0.25W CF	
R...	203	57.11.4104	*100 kOhm	5% 0.25W CF	
R...	204	57.11.4104	*100 kOhm	5% 0.25W CF	
R...	205	57.11.4104	*100 kOhm	5% 0.25W CF	
R...	206	57.11.4332	*3.3 kOhm	5% 0.25W CF	
R...	207	57.11.4104	*100 kOhm	5% 0.25W CF	
R...	208	57.11.4104	*100 kOhm	5% 0.25W CF	
R...	209	57.11.4104	*100 kOhm	5% 0.25W CF	

S T U D E R (03) 84/10/04 TA MONO-INPUT-UNIT-B-4CH/8CH 1.912.120.00 PAGE 11

IND.	POS.NO.	PART NO.	VALUE	SPECIFICATIONS / EQUIVALENT	MANUF.
R...	210	57.11.4104	*100 kOhm	5% 0.25W CF	
R...	211	57.11.4103	10 kOhm	5% 0.25W CF	
R...	212	57.11.4104	100 kOhm	5% 0.25W CF	
R...	213	57.11.4104	100 kOhm	5% 0.25W CF	
R...	214	57.11.4103	10 kOhm	5% 0.25W CF	
R...	215	57.11.4104	100 kOhm	5% 0.25W CF	
R...	216	57.11.4104	100 kOhm	5% 0.25W CF	
R...	217	57.11.4104	100 kOhm	5% 0.25W CF	
R...	218	57.11.4103	10 kOhm	5% 0.25W CF	
R...	219	57.11.4104	100 kOhm	5% 0.25W CF	
R...	220	57.11.4104	100 kOhm	5% 0.25W CF	
R...	221	57.11.4103	10 kOhm	5% 0.25W CF	
R...	222	57.11.4104	100 kOhm	5% 0.25W CF	
R...	223	57.11.4104	100 kOhm	5% 0.25W CF	
R...	224	57.11.4104	100 kOhm	5% 0.25W CF	
R...	225	57.11.4223	22 kOhm	5% 0.25W CF	
R...	226		1.5 kOhm	1% 0.25W MF 57113152	option 1
R...	227		3.9 kOhm	1% 0.25W MF 57113392	option 1
R...	228		3.9 kOhm	1% 0.25W MF 57113392	option 1
R...	229		1.5 kOhm	1% 0.25W MF 57113152	option 1
S.....	3	55.15.0002	2*U	button: 55030304	yellow
S.....	4	1.912.120.03	2*U		
S.....	5		2*U	see S4	
S.....	6		2*U	see S4	
S.....	7	55.15.0002	2*U	button: 55030305	green
S.....	8	55.15.0003	2*U	button: 55030310	white
S.....	9	55.15.0012	2*U	button: 55150106	red ITT
S.....	10	55.15.0003	2*U	button: 55030303	red ITT
S.....	11	55.15.0003	2*U	button: 55030303	red ITT
S.....	13	1.369.150.03	1*U	combined with variable resistor R 160	St
S.....	14	1.369.150.03	1*U	combined with variable resistor R 162	St
S.....	15	1.369.150.03	1*U	combined with variable resistor R 164	St
S.....	16	1.010.006.59	1*U	combined with variable resistor R 166	St
02)	S.....	55.15.0002	* 2*U	button: 55030303	red ITT
02)	S.....	55.15.0002	* 2*U	button: 55030303	red ITT
	S.....	55.15.0002	2*U	button: 55030303	red ITT

T U D E R (03) 84/10/04 TA MONO-INPUT-UNIT-B-4CH/8CH 1.912.120.00 PAGE 12

IND.	POS.NO.	PART NO.	VALUE	SPECIFICATIONS / EQUIVALENT	MANUF.
	S....20	55.15.0002	2*U	button: 55030303	red ITT
(02)	S....21	55.15.0002	2*U	button: 55030303	red ITT
(02)	S....22	55.15.0002	2*U	button: 55030303	red ITT
	S....23	55.15.0002	* 2*U	button: 55030303	red ITT
	S....24	55.15.0002	* 2*U	button: 55030303	red ITT
	T.....1	1.022.417.00		input trafo 1:3.14	St
	T.....2	1.022.451.00		input trafo 1:0.62	St
	w.....1	1.128.072.01	9-wire	flatcable	
	w.....2	1.128.072.01	9-wire	flatcable	
	w.....3		**		
	w.....4		**		
	w.....5		**		
	w.....6		**		
	XDL...1	1.010.012.50		LED-holder	St
	XDL...2	1.010.012.50		LED-holder	St

S T U D E R (03) 84/10/04 TA MONO-INPUT-UNIT-B-4CH/8CH 1.912.120.00 PAGE 13

IND. POS.NO. PART NO. VALUE SPECIFICATIONS / EQUIVALENT MANUF.

=====

* ONLY 8-CHANNEL 1.912.122.00

** ONLY 4-CHANNEL

=====

01 83/12/16 elimination of phase-switching noise

02 84/02/08 S17 S18 only 8CH 1.912.122.00

03 84/10/04 suppression of high frequency

option 1: tape-input replaces gen-input

CE=Ceramic, CF=Carbon Film, EL=Electrolytic, MF=Metal Film,
PE=Polyester, PP=Polypropylen, PS=Polystyrol

MANUFACTURER: Bu=Burndy, Ex=Exar, Fc=Fairchild, GI=General Instrument
HP=Hewlett Packard, ITT=Intermetall, Mot=Motorola,
NS=National Semiconductors, Ph=Philips, Ra=Raytheon,
Sig=Signetics, Six=Siliconix, St=Studer,
TI=Texas Instrument

ORIG 83/01/20 (01) 83/12/16 (02) 84/02/08 (03) 84/10/04

S T U D E R (03) 84/10/04 TA MONO-INPUT-UNIT-B-4CH/8CH 1.912.120.00 PAGE 14