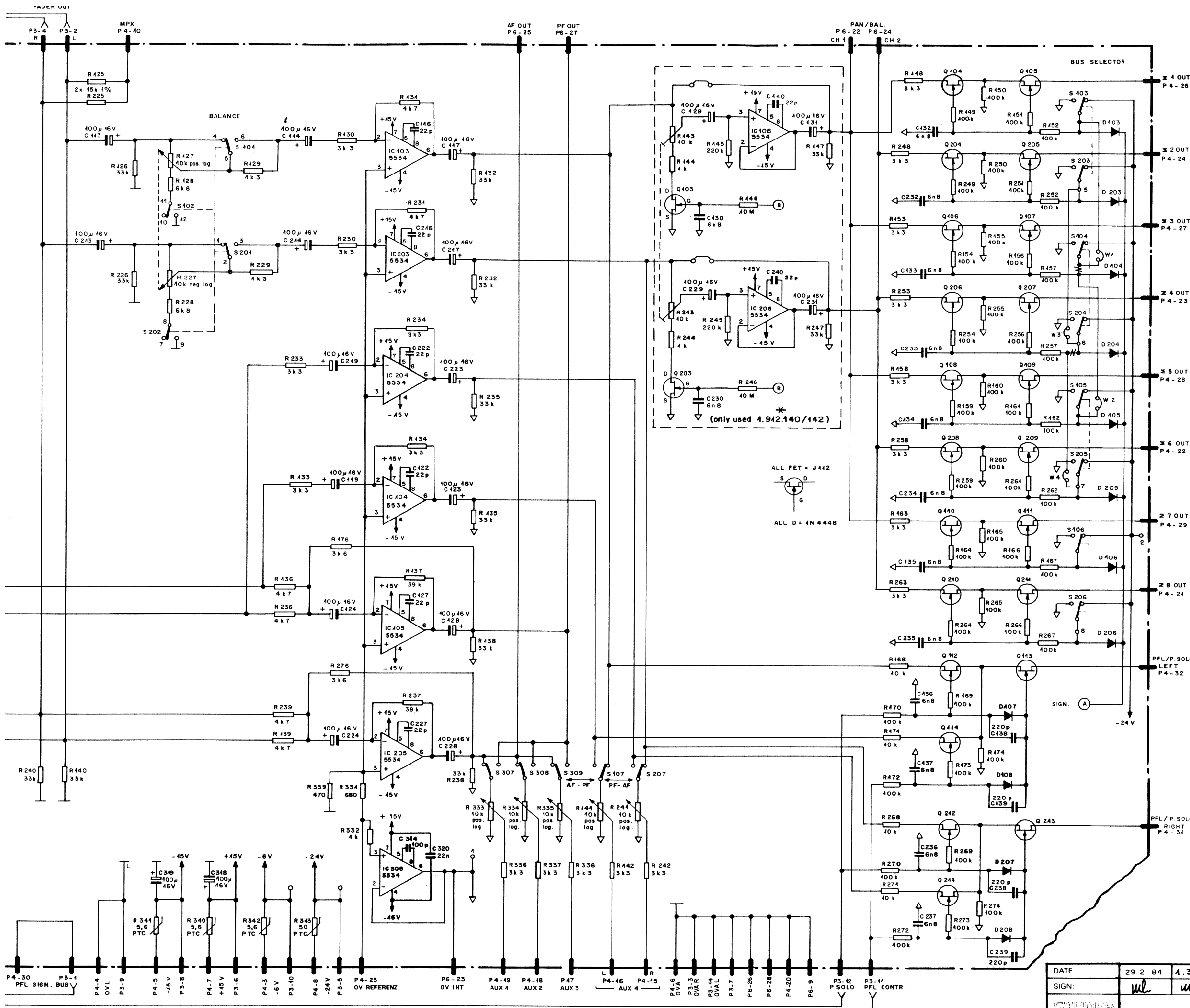


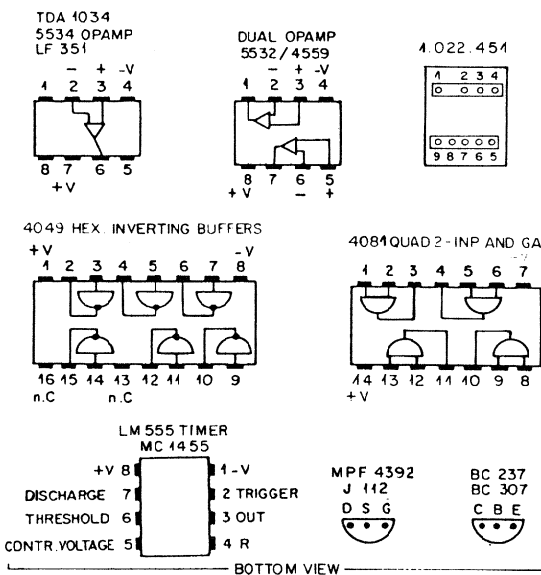
STEREO FADER UNIT A 1.911.120
OR
STEREO FADER A / BAL. AMP. UNIT 1.911.122

P 2-16
PFL SIGN. BUS
P 2-5
P. SOLO CONTR.
P 2-6
PFL CONTR.



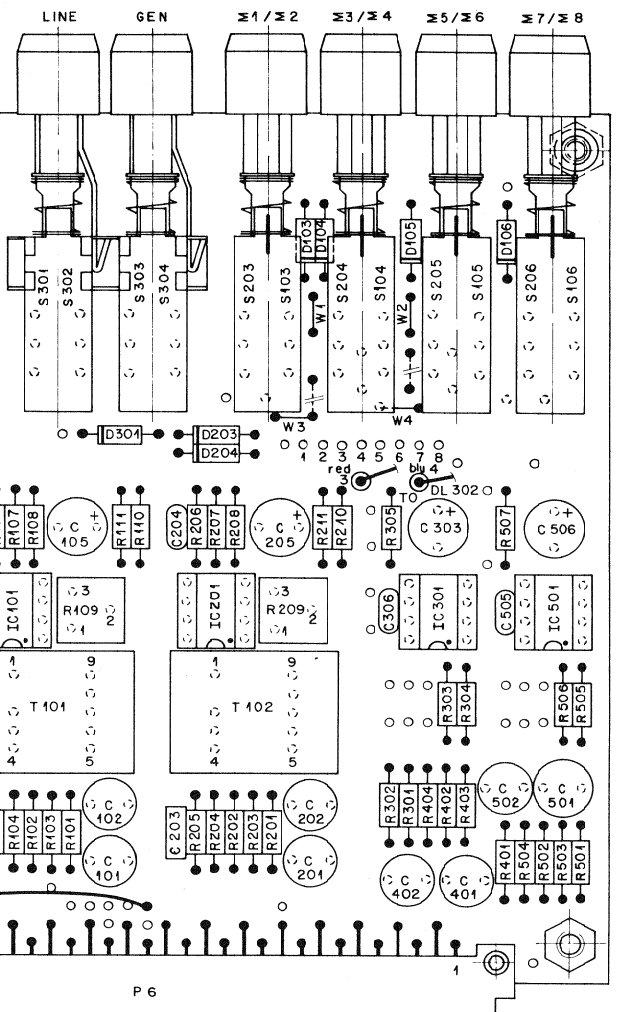
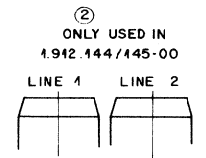
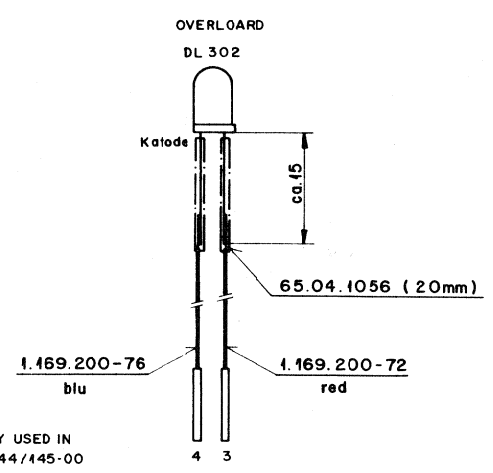
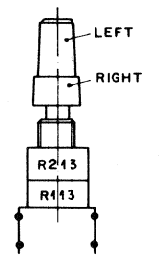
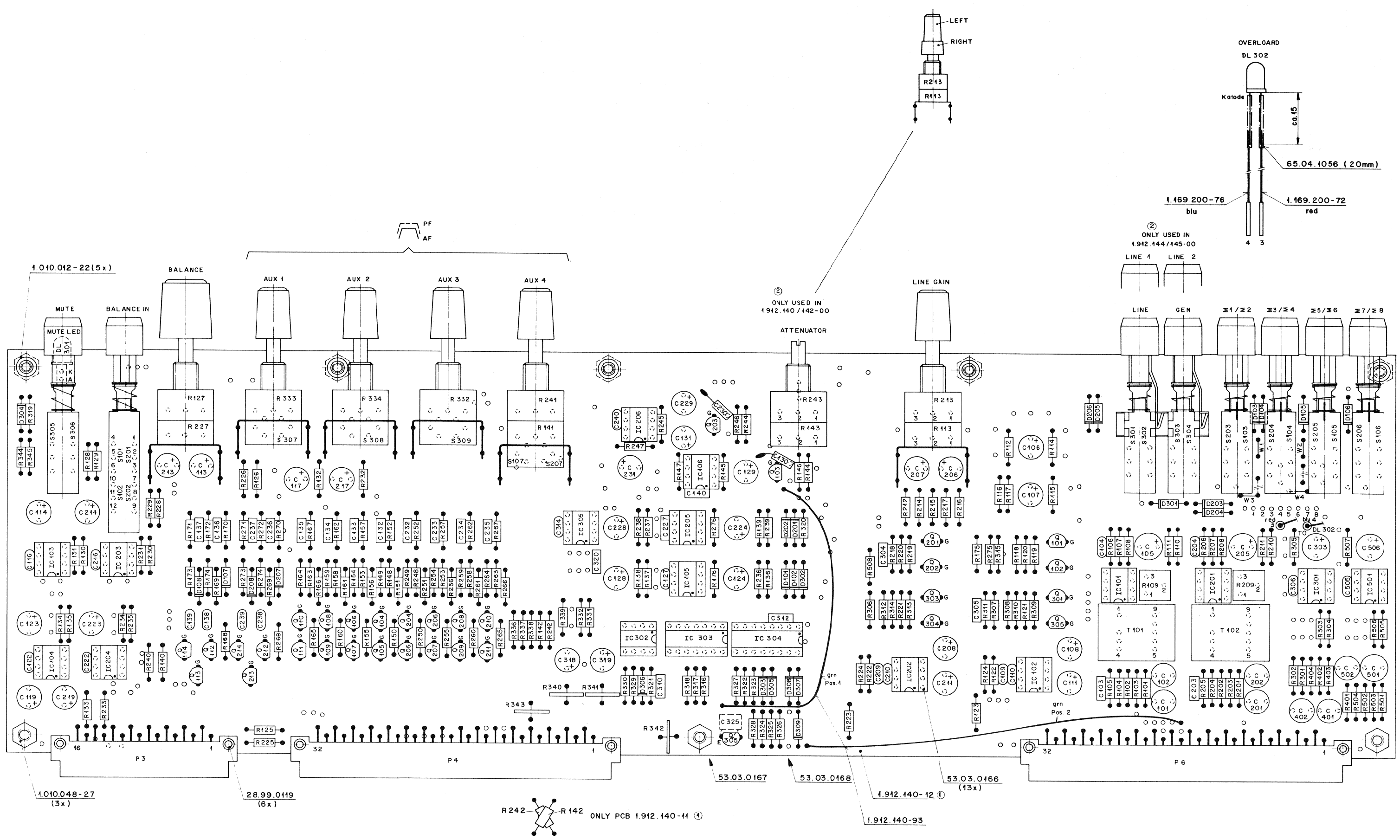
- P 6**
- 1 LINE a
 - 2 LINE b
 - 3 SCREEN
 - 4 LINE a
 - 5 LINE b
 - 6 SCREEN
 - 7 P-FILTER OUT
 - 8 P-FILTER IN
 - 9 OVA
 - 10 X
 - 11 LINE a
 - 12 LINE b
 - 13 SCREEN
 - 14 LINE a
 - 15 LINE b
 - 16 SCREEN
 - 17 ATT (*)
 - 18 X
 - 19 X
 - 20 X
 - 21 X
 - 22 CH 1 PAN/BAL
 - 23 OV INT.
 - 24 CH 2 PAN/BAL
 - 25 AF OUT
 - 26 OVA
 - 27 PF-OUT
 - 28 OVA
 - 29 P-FILTER OUT
 - 30 P-FILTER IN
 - 31 LINE SIGN. 1
 - 32 LINE SIGN. 2 (*)
- P 4**
- 1 MASTER SIGN.
 - 2 OVERLOAD
 - 3 -6V
 - 4 OVL
 - 5 -15V
 - 6 OVA
 - 7 +15V
 - 8 -24V
 - 9 X
 - 10 MPX
 - 11 X
 - 12 GEN. a
 - 13 GEN. b
 - 14 X
 - 15 AUX 4-R OUT
 - 16 AUX 4-L OUT
 - 17 AUX 3 OUT
 - 18 AUX 2 OUT
 - 19 AUX 1 OUT
 - 20 OVA
 - 21 8 OUT
 - 22 6 OUT
 - 23 4 OUT
 - 24 2 OUT
 - 25 OV REF
 - 26 1 OUT
 - 27 3 OUT
 - 28 5 OUT
 - 29 7 OUT
 - 30 PFL-SIGN. BUS
 - 31 PFL/P-SOLO R
 - 32 PFL/P-SOLO L

- P 3**
- 1 PFL-SIGN BUS
 - 2 FADER OUT L
 - 3 OVA R
 - 4 FADER OUT R
 - 5 -24V
 - 6 +15V
 - 7 OVA
 - 8 -15V
 - 9 OVL
 - 10 -6V
 - 11 PFL CONTR.
 - 12 P-SOLO CONTR
 - 13 FADER IN R
 - 14 OVA L
 - 15 FADER IN L
 - 16 CH-OFF
- * OPTIONAL**
 ONLY 4CH: W1, W2, W3, W4
 /V CIRCUIT INTERRUPT SOLDER SIDE



4 CH : 1.942.140/441/444
 8 CH : 1.942.142/443/445

DATE:	29.2.84	1.3.84	4.10.84		PAGE 3 OF 3
SIGN:	<i>ul</i>	<i>ul</i>	<i>ul</i>		
HL STEREO INPUT UNIT B					SC 1.942.140...145



ONLY 4 CH: W1, W2, W3, W4
// CIRCUIT INTERRUPT
SOLDER SIDE

VALID FOR	NR. UNIT	NR. PL	NR. LL
4 CH RAI	1.912.140-00	1.912.140-00	1.912.140-93
4 CH LINE / GEN	1.912.141-00	1.912.141-00	-
8 CH RAI	1.912.142-00	1.912.140-00	1.912.140-93
8 CH LINE / GEN	1.912.143-00	1.912.141-00	-
4 CH 2 LINE	1.912.144-00	1.912.144-00	-
8 CH 2 LINE	1.912.145-00	1.912.144-00	-

Norm-Nr.:	Güte:	Änderung:	1.3.84 A.Ho
DIN-Bez.:	Beh.:	7.12.83 A.Ho	
Abmessung:	Freinastoleranz:	Maßstab:	2:1
Zugehörige Unterlagen:		Ausgabe:	Datum
Erstz. für:	Ersetzt durch:	Kopie für:	
Benennung: HL ST. INP. UNIT B		Nummer: 1.912.140-00	

IND.	POS.NO.	PART NO.	VALUE	SPECIFICATIONS / EQUIVALENT		MANUF.
		C...101	59.05.1681	680 pF	1%	500V PP
		C...102	59.05.1681	680 pF	1%	500V PP
(03)		C...103	59.06.0682	6,8 nF	10%	50V PE
		C...104	59.34.5391	390 pF	5%	CE
		C...105	59.22.4101	100 uF	-20%	16V EL
		C...106	59.22.2221	220 uF	-20%	6V EL
		C...107	59.22.4101	100 uF	-20%	16V EL
		C...108	59.22.2221	220 uF	-20%	6V EL
		C...109	59.34.2220	22 pF	5%	CE
		C...110	59.34.2220	22 pF	5%	CE
		C...111	59.22.4101	100 uF	-20%	16V EL
		C...112		not exist		
		C...113	59.22.4101	100 uF	-20%	16V EL
		C...114	59.22.4101	100 uF	-20%	16V EL
		C...115		not used		
		C...116	59.34.2220	22 pF	5%	CE
		C...117	59.22.4101	100 uF	-20%	16V EL
		C...118		not exist		
		C...119	59.22.4101	100 uF	-20%	16V EL
		C...120		not exist		
		C...121		not used		
		C...122	59.34.2220	22 pF	5%	CE
		C...123	59.22.4101	100 uF	-20%	16V EL
		C...124	59.22.4101	100 uF	-20%	16V EL
		C...125		not exist		
		C...126		not used		
		C...127	59.34.2220	22 pF	5%	CE
		C...128	59.22.4101	100 uF	-20%	16V EL
(01)		C...129		not used		
(01)		C...130		not used		
(01)		C...131		not used		
		C...132	59.06.0682	6.8 nF		50V PE
		C...133	59.06.0682	6.8 nF		50V PE
		C...134	59.06.0682	* 6.8 nF		50V PE
		C...135	59.06.0682	* 6.8 uF		50V PE
		C...136	59.06.0682	6.8 nF		50V PE
		C...137	59.06.0682	6.8 nF		50V PE

S T U D E R (03) 84/12/01 TA HL-ST-INPUT-UNIT-B-4CH/8CH 1.912.141.00 PAGE 1

IND.	POS.NO.	PART NO.	VALUE	SPECIFICATIONS / EQUIVALENT		MANUF.
		C...138	59.34.4221	220 pF	5%	CE
		C...139	59.34.4221	220 pF	5%	CE
(01)		C...140		not used		
		C...201	59.05.1681	680 pF	1%	500V PP
(03)		C...202	59.05.1681	680 pF	1%	500V PP
		C...203	59.06.0682	6,8 nF	10%	50V PE
		C...204	59.34.5391	390 pF	5%	CE
		C...205	59.22.4101	100 uF	-20%	16V EL
		C...206	59.22.2221	220 uF	-20%	6V EL
		C...207	59.22.4101	100 uF	-20%	16V EL
		C...208	59.22.2221	220 uF	-20%	6V EL
		C...209	59.34.2220	22 pF	5%	CE
		C...210	59.34.2220	22 pF	5%	CE
		C...211	59.22.4101	100 uF	-20%	16V EL
		C...212		not exist		
		C...213	59.22.4101	100 uF	-20%	16V EL
		C...214	59.22.4101	100 uF	-20%	16V EL
		C...215		not used		
		C...216	59.34.2220	22 pF	5%	CE
		C...217	59.22.4101	100 uF	-20%	16V EL
		C...218		not exist		
		C...219	59.22.4101	100 uF	-20%	16V EL
		C...220		not exist		
		C...221		not used		
		C...222	59.34.2220	22 pF	5%	CE
		C...223	59.22.4101	100 uF	-20%	16V EL
		C...224	59.22.4101	100 uF	-20%	16V EL
		C...225		not exist		
		C...226		not used		
		C...227	59.34.2220	22 pF	5%	CE
		C...228	59.22.4101	100 uF	-20%	16V EL
(01)		C...229		not used		
(01)		C...230		not used		
(01)		C...231		not used		
		C...232	59.06.0682	6.8 nF		50V PE
		C...233	59.06.0682	6.8 nF		50V PE
		C...234	59.06.0682	* 6.8 nF		50V PE

S T U D E R (03) 84/12/01 TA HL-ST-INPUT-UNIT-B-4CH/8CH 1.912.141.00 PAGE 2

IND.	POS.NO.	PART NO.	VALUE	SPECIFICATIONS / EQUIVALENT	MANUF.
	C...235	59.06.0682	* 6.8 uF	50V PE	
	C...236	59.06.0682	6.8 nF	50V PE	
	C...237	59.06.0682	6.8 nF	50V PE	
	C...238	59.34.4221	220 pF	5% CE	
	C...239	59.34.4221	220 pF	5% CE	
(01)	C...240		not used		
	C...301		not used		
	C...302		not used		
	C...303	59.22.4101	100 uF	-20% 16V EL	
	C...304	59.06.0223	22 nF	10% 50V PE	
(01)	C...305	59.06.0223	22 nF	10% 50V PE	
	C...306		not used		
	C...307		not used		
	C...308		not used		
	C...309		not used		
	C...310	59.06.0223	22 nF	10% 50V PE	
	C...311		not used		
	C...312	59.06.0223	22 nF	10% 50V PE	
	C...313		not used		
(02)	C...314	59.34.4101	100 pF	5% CE	
	C...315		not used		
	C...316		not used		
	C...317		not used		
	C...318	59.22.4101	100 uF	-20% 16V EL	
	C...319	59.22.4101	100 uF	-20% 16V EL	
	C...320	59.06.0223	22 nF	10% 50V PE	
	C...321		not used		
	C...322		not used		
	C...323		not used		
	C...324		not used		
(01)	C...325		not used		
(01)	C...401		not used		
(01)	C...402		not used		
(01)	C...501		not used		
(01)	C...502		not used		
	C...503		not used		
	C...504		not used		

S T U D E R (03) 84/12/01 TA HL-ST-INPUT-UNIT-B-4CH/8CH 1.912.141.00 PAGE 3

IND.	POS.NO.	PART NO.	VALUE	SPECIFICATIONS / EQUIVALENT	MANUF.
(01)	C...505		not used		
	C...506		not used		
	C...507		not used		
	D...101	50.04.0125	1N4448		any
	D...102	50.04.0125	1N4448		any
	D...103	50.04.0125	1N4448		any
	D...104	50.04.0125	1N4448		any
	D...105	50.04.0125	* 1N4448		any
	D...106	50.04.0125	* 1N4448		any
	D...107	50.04.0125	1N4448		any
	D...108	50.04.0125	1N4448		any
	D...201	50.04.0125	1N4448		any
	D...202	50.04.0125	1N4448		any
	D...203	50.04.0125	1N4448		any
	D...204	50.04.0125	1N4448		any
	D...205	50.04.0125	* 1N4448		any
	D...206	50.04.0125	* 1N4448		any
	D...207	50.04.0125	1N4448		any
	D...208	50.04.0125	1N4448		any
	D...301	50.04.0125	1N4448		any
	D...302	50.04.1112	Z 5.1V	400mW BZX83C 5.1, BZX55C 5.1, ZPD 5.1	
	D...303	50.04.0125	1N4448		any
	D...304	50.04.0125	1N4448		any
	D...305	50.04.0125	1N4448		any
	D...306	50.04.0125	1N4448		any
(01)	D...307		not used		
	D...308	50.04.0125	1N4448		any
(01)	D...309		not used		
	DL...301	50.04.2111	MV5753	red	GI,HP
	DL...302	50.04.2111	MV5753	red	GI,HP
	IC...101	50.09.0106	NE5532AN	dual op. amp. low noise	Siq,Ex,Ra
	IC...102	50.05.0243	NE5534N	single op. amp.	TI,Sig,Ra
	IC...103	50.05.0243	NE5534N	single op. amp.	TI,Sig,Ra
	IC...104	50.05.0243	NE5534N	single op. amp.	TI,Sig,Ra

S T U D E R (03) 84/12/01 TA HL-ST-INPUT-UNIT-B-4CH/8CH 1.912.141.00 PAGE 4

IND.	POS.NO.	PART NO.	VALUE	SPECIFICATIONS / EQUIVALENT	MANUF.
	IC..105	50.05.0243	NE5534N	single op. amp.	TI,Sig,Ra
(01)	IC..106		not used		
	IC..201	50.09.0106	NE5532AN	dual op. amp. low noise	Sig,Ex,Ra
	IC..202	50.05.0243	NE5534N	single op. amp.	TI,Sig,Ra
	IC..203	50.05.0243	NE5534N	single op. amp.	TI,Sig,Ra
	IC..204	50.05.0243	NE5534N	single op. amp.	TI,Sig,Ra
	IC..205	50.05.0243	NE5534N	single op. amp.	TI,Sig,Ra
(01)	IC..206		not used		
(01)	IC..301		not used		
	IC..302	50.05.0158	NE 555	timer	Sig,Mot,NSC
	IC..303	50.07.0081	CD4081	2 input and-gate CMOS	Fc,Mot,RCA
	IC..304	50.07.0049	CD4049	hex. inverter CMOS	Fc,Mot
	IC..305	50.05.0243	NE5534N	single op. amp.	TI,Sig,Ra
(01)	IC..501		not used		
	P.....3	54.11.2007	2*8 pin	euroconnector	Bu
	P.....4	54.01.0359	2*16pin	euroconnector	Bu
	P.....6	54.01.0359	2*16pin	euroconnector	Bu
	Q...101	50.03.0350	J 112	N-JFET	NS,Mot,Six
	Q...102	50.03.0350	J 112	N-JFET	NS,Mot,Six
(01)	Q...103		not used		
	Q...104	50.03.0350	J 112	N-JFET	NS,Mot,Six
	Q...105	50.03.0350	J 112	N-JFET	NS,Mot,Six
	Q...106	50.03.0350	J 112	N-JFET	NS,Mot,Six
	Q...107	50.03.0350	J 112	N-JFET	NS,Mot,Six
	Q...108	50.03.0350	* J 112	N-JFET	NS,Mot,Six
	Q...109	50.03.0350	* J 112	N-JFET	NS,Mot,Six
	Q...110	50.03.0350	* J 112	N-JFET	NS,Mot,Six
	Q...111	50.03.0350	* J 112	N-JFET	NS,Mot,Six
	Q...112	50.03.0350	J 112	N-JFET	NS,Mot,Six
	Q...113	50.03.0350	J 112	N-JFET	NS,Mot,Six
	Q...114	50.03.0350	J 112	N-JFET	NS,Mot,Six
	Q...201	50.03.0350	J 112	N-JFET	NS,Mot,Six
	Q...202	50.03.0350	J 112	N-JFET	NS,Mot,Six
(01)	Q...203		not used		
	Q...204	50.03.0350	J 112	N-JFET	NS,Mot,Six

S T U D E R (03) 84/12/01 TA HL-ST-INPUT-UNIT-B-4CH/8CH 1.912.141.00 PAGE 5

IND.	POS.NO.	PART NO.	VALUE	SPECIFICATIONS / EQUIVALENT	MANUF.
	Q...205	50.03.0350	J 112	N-JFET	NS,Mot,Six
	Q...206	50.03.0350	J 112	N-JFET	NS,Mot,Six
	Q...207	50.03.0350	J 112	N-JFET	NS,Mot,Six
	Q...208	50.03.0350	* J 112	N-JFET	NS,Mot,Six
	Q...209	50.03.0350	* J 112	N-JFET	NS,Mot,Six
	Q...210	50.03.0350	* J 112	N-JFET	NS,Mot,Six
	Q...211	50.03.0350	* J 112	N-JFET	NS,Mot,Six
	Q...212	50.03.0350	J 112	N-JFET	NS,Mot,Six
	Q...213	50.03.0350	J 112	N-JFET	NS,Mot,Six
	Q...214	50.03.0350	J 112	N-JFET	NS,Mot,Six
	Q...301	50.03.0350	J 112	N-JFET	NS,Mot,Six
	Q...302	50.03.0350	J 112	N-JFET	NS,Mot,Six
	Q...303	50.03.0350	J 112	N-JFET	NS,Mot,Six
	Q...304	50.03.0350	J 112	N-JFET	NS,Mot,Six
	Q...305		BC 307	PNP IC>100mA, B>100 50030515	any
	R...101	57.11.3152	1.5 kOhm	1% 0.25W	
	R...102	57.11.3392	3.9 kOhm	1% 0.25W	
	R...103	57.11.3152	1.5 kOhm	1% 0.25W	
	R...104	57.11.3392	3.9 kOhm	1% 0.25W	
(01)	R...105	57.11.3392	3.9 kOhm	5% 0.25W	
	R...106	57.11.4331	330 Ohm	5% 0.25W	
	R...107	57.11.4472	4.7 kOhm	5% 0.25W	
	R...108	57.11.3153	15 kOhm	5% 0.25W	
	R...109	58.01.8502	5 kOhm	10%	
	R...110	57.11.4122	1.2 kOhm	5% 0.25W	
	R...111	57.11.4472	4.7 kOhm	5% 0.25W	
	R...112	57.11.3132	1.3 kOhm	5% 0.25W	
(01)	R...113	1.010.007.58	10 kOhm	10% lin. combined with R 213	St
	R...114	57.11.3132	1.3 kOhm	5% 0.25W	
	R...115	57.11.4472	4.7 kOhm	5% 0.25W	
	R...116	57.11.4333	33 kOhm	5% 0.25W	
	R...117	57.11.4682	6.8 kOhm	5% 0.25W	
	R...118	57.11.4104	100 kOhm	5% 0.25W	
	R...119	57.11.4104	100 kOhm	5% 0.25W	
	R...120	57.11.4104	100 kOhm	5% 0.25W	
	R...121	57.11.4104	100 kOhm	5% 0.25W	

S T U D E R (03) 84/12/01 TA HL-ST-INPUT-UNIT-B-4CH/8CH 1.912.141.00 PAGE 6

IND.	POS.NO.	PART NO.	VALUE	SPECIFICATIONS / EQUIVALENT	MANUF.
	R...122	57.11.4682	6.8 kOhm	5% 0.25W	
	R...123	57.11.4330	33 Ohm	5% 0.25W	
	R...124	57.11.4333	33 kOhm	5% 0.25W	
	R...125	57.11.3153	15 kOhm	1% 0.25W	
	R...126	57.11.4333	33 kOhm	5% 0.25W	
	R...127	1.010.004.58	10 kOhm	10% pos.log.variable resistor	St
	R...128	57.11.4682	6.8 kOhm	5% 0.25W	
	R...129	57.11.3132	1.3 kOhm	5% 0.25W	
	R...130	57.11.4332	3.3 kOhm	5% 0.25W	
	R...131	57.11.4472	4.7 kOhm	5% 0.25W	
	R...132	57.11.4333	33 kOhm	5% 0.25W	
	R...133	57.11.4332	3.3 kOhm	5% 0.25W	
	R...134	57.11.4332	3.3 kOhm	5% 0.25W	
	R...135	57.11.4333	33 kOhm	5% 0.25W	
	R...136	57.11.4472	4.7 kOhm	5% 0.25W	
	R...137	57.11.4393	39 kOhm	5% 0.25W	
	R...138	57.11.4333	33 kOhm	5% 0.25W	
	R...139	57.11.4472	4.7 kOhm	5% 0.25W	
	R...140	57.11.4333	33 kOhm	5% 0.25W	
	R...141	1.010.008.58	10 kOhm	10% pos.log.variable resistor	St
	R...142	57.11.4332	3.3 kOhm	5% 0.25W	
(01)	R...143		not used		
(01)	R...144		not used		
(01)	R...145		not used		
(01)	R...146		not used		
	R...147		33 kOhm	5% 0.25W	57114333 option 2
	R...148	57.11.4332	3.3 kOhm	5% 0.25W	
	R...149	57.11.4104	100 kOhm	5% 0.25W	
	R...150	57.11.4104	100 kOhm	5% 0.25W	
	R...151	57.11.4104	100 kOhm	5% 0.25W	
	R...152	57.11.4104	100 kOhm	5% 0.25W	
	R...153	57.11.4332	3.3 kOhm	5% 0.25W	
	R...154	57.11.4104	100 kOhm	5% 0.25W	
	R...155	57.11.4104	100 kOhm	5% 0.25W	
	R...156	57.11.4104	100 kOhm	5% 0.25W	
	R...157	57.11.4104	100 kOhm	5% 0.25W	
	R...158	57.11.4332	*3.3 kOhm	5% 0.25W	

S T U D E R (03) 84/12/01 TA HL-ST-INPUT-UNIT-B-4CH/8CH 1.912.141.00 PAGE 7

IND.	POS.NO.	PART NO.	VALUE	SPECIFICATIONS / EQUIVALENT	MANUF.
	R...159	57.11.4104	*100 kOhm	5% 0.25W	
	R...160	57.11.4104	*100 kOhm	5% 0.25W	
	R...161	57.11.4104	*100 kOhm	5% 0.25W	
	R...162	57.11.4104	*100 kOhm	5% 0.25W	
	R...163	57.11.4332	*3.3 kOhm	5% 0.25W	
	R...164	57.11.4104	*100 kOhm	5% 0.25W	
	R...165	57.11.4104	*100 kOhm	5% 0.25W	
	R...166	57.11.4104	*100 kOhm	5% 0.25W	
	R...167	57.11.4104	*100 kOhm	5% 0.25W	
	R...168	57.11.4103	10 kOhm	5% 0.25W	
	R...169	57.11.4104	100 kOhm	5% 0.25W	
	R...170	57.11.4104	100 kOhm	5% 0.25W	
	R...171	57.11.4103	10 kOhm	5% 0.25W	
	R...172	57.11.4104	100 kOhm	5% 0.25W	
	R...173	57.11.4104	100 kOhm	5% 0.25W	
	R...174	57.11.4104	100 kOhm	5% 0.25W	
	R...175	57.11.4332	3.3 kOhm	5% 0.25W	
	R...176	57.11.3362	3.6 kOhm	5% 0.25W	
	R...201	57.11.3152	1.5 kOhm	1% 0.25W	
	R...202	57.11.3392	3.9 kOhm	1% 0.25W	
	R...203	57.11.3152	1.5 kOhm	1% 0.25W	
	R...204	57.11.3392	3.9 kOhm	1% 0.25W	
(01)	R...205	57.11.3392	3.9 kOhm	5% 0.25W	
	R...206	57.11.4331	330 Ohm	5% 0.25W	
	R...207	57.11.4472	4.7 kOhm	5% 0.25W	
	R...208	57.11.3153	15 kOhm	5% 0.25W	
	R...209	58.01.8502	5 kOhm	10%	
	R...210	57.11.4122	1.2 kOhm	5% 0.25W	
	R...211	57.11.4472	4.7 kOhm	5% 0.25W	
	R...212	57.11.3132	1.3 kOhm	5% 0.25W	
(01)	R...213	1.010.007.58	10 kOhm	20% lin. combined with R 113	St
	R...214	57.11.3132	1.3 kOhm	5% 0.25W	
	R...215	57.11.4472	4.7 kOhm	5% 0.25W	
	R...216	57.11.4333	33 kOhm	5% 0.25W	
	R...217	57.11.4682	6.8 kOhm	5% 0.25W	
	R...218	57.11.4104	100 kOhm	5% 0.25W	
	R...219	57.11.4104	100 kOhm	5% 0.25W	

S T U D E R (03) 84/12/01 TA HL-ST-INPUT-UNIT-B-4CH/8CH 1.912.141.00 PAGE 8

IND.	POS.NO.	PART NO.	VALUE	SPECIFICATIONS / EQUIVALENT	MANUF.
	R...220	57.11.4104	100 kOhm	5% 0.25W	
	R...221	57.11.4104	100 kOhm	5% 0.25W	
	R...222	57.11.4682	6.8 kOhm	5% 0.25W	
	R...223	57.11.4330	33 Ohm	5% 0.25W	
	R...224	57.11.4333	33 kOhm	5% 0.25W	
	R...225	57.11.3153	15 kOhm	1% 0.25W	
	R...226	57.11.4333	33 kOhm	5% 0.25W	
	R...227	1.010.004.58	10 kOhm	10% pos.log.variable resistor	St
	R...228	57.11.4682	6.8 kOhm	5% 0.25W	
	R...229	57.11.3132	1.3 kOhm	5% 0.25W	
	R...230	57.11.4332	3.3 kOhm	5% 0.25W	
	R...231	57.11.4472	4.7 kOhm	5% 0.25W	
	R...232	57.11.4333	33 kOhm	5% 0.25W	
	R...233	57.11.4332	3.3 kOhm	5% 0.25W	
	R...234	57.11.4332	3.3 kOhm	5% 0.25W	
	R...235	57.11.4333	33 kOhm	5% 0.25W	
	R...236	57.11.4472	4.7 kOhm	5% 0.25W	
	R...237	57.11.4393	39 kOhm	5% 0.25W	
	R...238	57.11.4333	33 kOhm	5% 0.25W	
	R...239	57.11.4472	4.7 kOhm	5% 0.25W	
	R...240	57.11.4333	33 kOhm	5% 0.25W	
	R...241	1.010.008.58	10 kOhm	10% pos.log.variable resistor	St
	R...242	57.11.4332	3.3 kOhm	5% 0.25W	
(01)	R...243		not used		
(01)	R...244		not used		
(01)	R...245		not used		
(01)	R...246		not used		
(01)	R...247		not used		
	R...248	57.11.4332	3.3 kOhm	5% 0.25W	
	R...249	57.11.4104	100 kOhm	5% 0.25W	
	R...250	57.11.4104	100 kOhm	5% 0.25W	
	R...251	57.11.4104	100 kOhm	5% 0.25W	
	R...252	57.11.4104	100 kOhm	5% 0.25W	
	R...253	57.11.4332	3.3 kOhm	5% 0.25W	
	R...254	57.11.4104	100 kOhm	5% 0.25W	
	R...255	57.11.4104	100 kOhm	5% 0.25W	
	R...256	57.11.4104	100 kOhm	5% 0.25W	

S T U D E R (03) 84/12/01 TA HL-ST-INPUT-UNIT-B-4CH/8CH 1.912.141.00 PAGE 9

IND.	POS.NO.	PART NO.	VALUE	SPECIFICATIONS / EQUIVALENT	MANUF.
	R...257	57.11.4104	100 kOhm	5% 0.25W	
	R...258	57.11.4332	*3.3 kOhm	5% 0.25W	
	R...259	57.11.4104	*100 kOhm	5% 0.25W	
	R...260	57.11.4104	*100 kOhm	5% 0.25W	
	R...261	57.11.4104	*100 kOhm	5% 0.25W	
	R...262	57.11.4104	*100 kOhm	5% 0.25W	
	R...263	57.11.4332	*3.3 kOhm	5% 0.25W	
	R...264	57.11.4104	*100 kOhm	5% 0.25W	
	R...265	57.11.4104	*100 kOhm	5% 0.25W	
	R...266	57.11.4104	*100 kOhm	5% 0.25W	
	R...267	57.11.4104	*100 kOhm	5% 0.25W	
	R...268	57.11.4103	10 kOhm	5% 0.25W	
	R...269	57.11.4104	100 kOhm	5% 0.25W	
	R...270	57.11.4104	100 kOhm	5% 0.25W	
	R...271	57.11.4103	10 kOhm	5% 0.25W	
	R...272	57.11.4104	100 kOhm	5% 0.25W	
	R...273	57.11.4104	100 kOhm	5% 0.25W	
	R...274	57.11.4104	100 kOhm	5% 0.25W	
	R...275	57.11.4332	3.3 kOhm	5% 0.25W	
	R...276	57.11.3362	3.6 kOhm	5% 0.25W	
	R...301	57.11.3472	4.7 kOhm	1% 0.25W	
	R...302	57.11.3472	4.7 kOhm	1% 0.25W	
	R...303	57.11.3473	47 kOhm	1% 0.25W	
	R...304	57.11.3473	47 kOhm	1% 0.25W	
	R...305	57.11.4333	33 kOhm	5% 0.25W	
	R...307	57.11.3202	2 kOhm	1% 0.25W	
	R...308	57.11.4104	100 kOhm	5% 0.25W	
	R...309	57.11.4104	100 kOhm	5% 0.25W	
	R...310	57.11.4104	100 kOhm	5% 0.25W	
	R...311	57.11.4105	1 MOhm	5% 0.25W	
	R...312	57.11.4104	100 kOhm	5% 0.25W	
	R...313	57.11.4104	100 kOhm	5% 0.25W	
	R...314	57.11.4104	100 kOhm	5% 0.25W	
	R...315	57.11.4105	1 MOhm	5% 0.25W	
	R...316	57.11.4104	100 kOhm	5% 0.25W	
	R...317	57.11.4104	100 kOhm	5% 0.25W	
	R...318	57.11.4102	1 kOhm	5% 0.25W	

S T U D E R (03) 84/12/01 TA HL-ST-INPUT-UNIT-B-4CH/8CH 1.912.141.00 PAGE 10

IND.	POS.NO.	PART NO.	VALUE	SPECIFICATIONS / EQUIVALENT	MANUF.
	R...319	57.11.4331	330 Ohm	5% 0.25W	
	R...320	57.11.4103	10 kOhm	5% 0.25W	
	R...321	57.11.4335	3.3 MOhm	5% 0.25W	
	R...322	57.11.4104	100 kOhm	5% 0.25W	
	R...323	57.11.4104	100 kOhm	5% 0.25W	
(01)	R...324		not used		
(01)	R...325		not used		
(01)	R...326		not used		
(01)	R...327	57.11.4105	1 MOhm	5% 0.25W	
(01)	R...328		not used		
	R...329	57.11.4331	330 Ohm	5% 0.25W	
	R...330	57.11.4103	10 kOhm	5% 0.25W	
	R...331	57.11.4681	680 Ohm	5% 0.25W	
	R...332	57.11.4102	1 kOhm	5% 0.25W	
	R...333	1.369.150.03	10 kOhm	20% pos.log.variable resistor	St
	R...334	1.369.150.03	10 kOhm	20% pos.log.variable resistor	St
	R...335	1.369.150.03	10 kOhm	20% pos.log.variable resistor	St
	R...336	57.11.4332	3.3 kOhm	5% 0.25W	
	R...337	57.11.4332	3.3 kOhm	5% 0.25W	
	R...338	57.11.4332	3.3 kOhm	5% 0.25W	
	R...339	57.11.4471	470 Ohm	5% 0.25W	
	R...340	57.99.0209	5.6 Ohm	PTC Philips Nr.2322 662 91005	
	R...341	57.99.0209	5.6 Ohm	PTC Philips Nr.2322 662 91005	
	R...342	57.99.0209	5.6 Ohm	PTC Philips Nr.2322 662 91005	
	R...343	57.99.0206	50 Ohm	PTC Philips Nr.2322 660 91008	
	R...344	57.11.4102	1 kOhm	5% 0.25W	
	R...345	57.11.4104	100 kOhm	5% 0.25W	
(01)	R...346		not exist		
(01)	R...401		not used		
(01)	R...402		not used		
(01)	R...403		not used		
(01)	R...404		not used		
(01)	R...501		not used		
(01)	R...502		not used		
(01)	R...503		not used		
(01)	R...504		not used		
(01)	R...505		not used		

S T U D E R (03) 84/12/01 TA HL-ST-INPUT-UNIT-B-4CH/8CH 1.912.141.00 PAGE 11

IND.	POS.NO.	PART NO.	VALUE	SPECIFICATIONS / EQUIVALENT	MANUF.
(01)	R...506		not used		
(01)	R...507		not used		
(01)	R...508		not used		
	S...101	55.15.0004	4*U	2u gold button: 55150106 red	
	S...102			combined with S101	
	S...103	55.15.0002	* 2*U	button: 55030303 red	ITT
	S...104	55.15.0002	2*U	button: 55030303 red	ITT
	S...105	55.15.0002	2*U	button: 55030303 red	ITT
	S...106	55.15.0002	* 2*U	button: 55030303 red	ITT
	S...107	1.010.008.59	1*U	combined with variable resistor R 141/241	St
	S...201			combined with S101	
	S...202			combined with S101	
	S...203		*	combined with S103	
	S...204			combined with S104	
	S...205			combined with S105	
	S...206		*	combined with S106	
	S...207	1.010.008.59	1*U	combined with variable resistor R 141/241	St
	S...301	1.912.120.03	2*U	button: 55030303 red	
	S...302			combined with S301	
	S...303		2*U	mutual realising with S301/S302	
	S...304			combined with S303	
	S...305	55.15.0012	2*U	button: 55150106 red	
	S...306			combined with S305	
	S...307	1.369.150.03	1*U	combined with variable resistor R 333	St
	S...308	1.369.150.03	1*U	combined with variable resistor R 334	St
	S...309	1.369.150.03	1*U	combined with variable resistor R 335	St
	T...101	1.022.451.00		input trafo 1:0.62	St
	T...201	1.022.451.00		input trafo 1:0.62	St
	W.....1			by 8-CH not equipped	
	W.....2			by 8-CH not equipped	
	W.....3			by 8-CH not equipped	
	W.....4			by 8-CH not equipped	

(01) XDL.301

S T U D E R (03) 84/12/01 TA HL-ST-INPUT-UNIT-B-4CH/8CH 1.912.141.00 PAGE 12

IND.	POS.NO.	PART NO.	VALUE	SPECIFICATIONS / EQUIVALENT	MANUF.
(01)	XDL.302 XDL....	1.010.012.50		LED-holder	St

(01) 84/03/01 click suppression of attenuator

(02) 84/10/04 suppression of high frequency

=====
 * ONLY 8-CHANNEL 1.912.143.00
 =====

CE=Ceramic, CF=Carbon Film, EL=Electrolytic, MF=Metal Film,
 PE=Polyester, PP=Polypropylen, PS=Polystyrol

MANUFACTURER: Bu=Burndy, Ex=Exar, Fc=Fairchild, GI=General Instrument
 HP=Hewlett Packard, ITT=Intermetall, Mot=Motorola,
 NS=National Semiconductors, Ph=Philips, Ra=Raytheon,
 Sig=Signetics, Six=Siliconix, St=Studer,
 TI=Texas Instrument

ORIG 83/01/20 (01) 84/03/01 (02) 84/10/04 (03) 84/12/01

S T U D E R (03) 84/12/01 TA HL-ST-INPUT-UNIT-B-4CH/8CH 1.912.141.00 PAGE 13