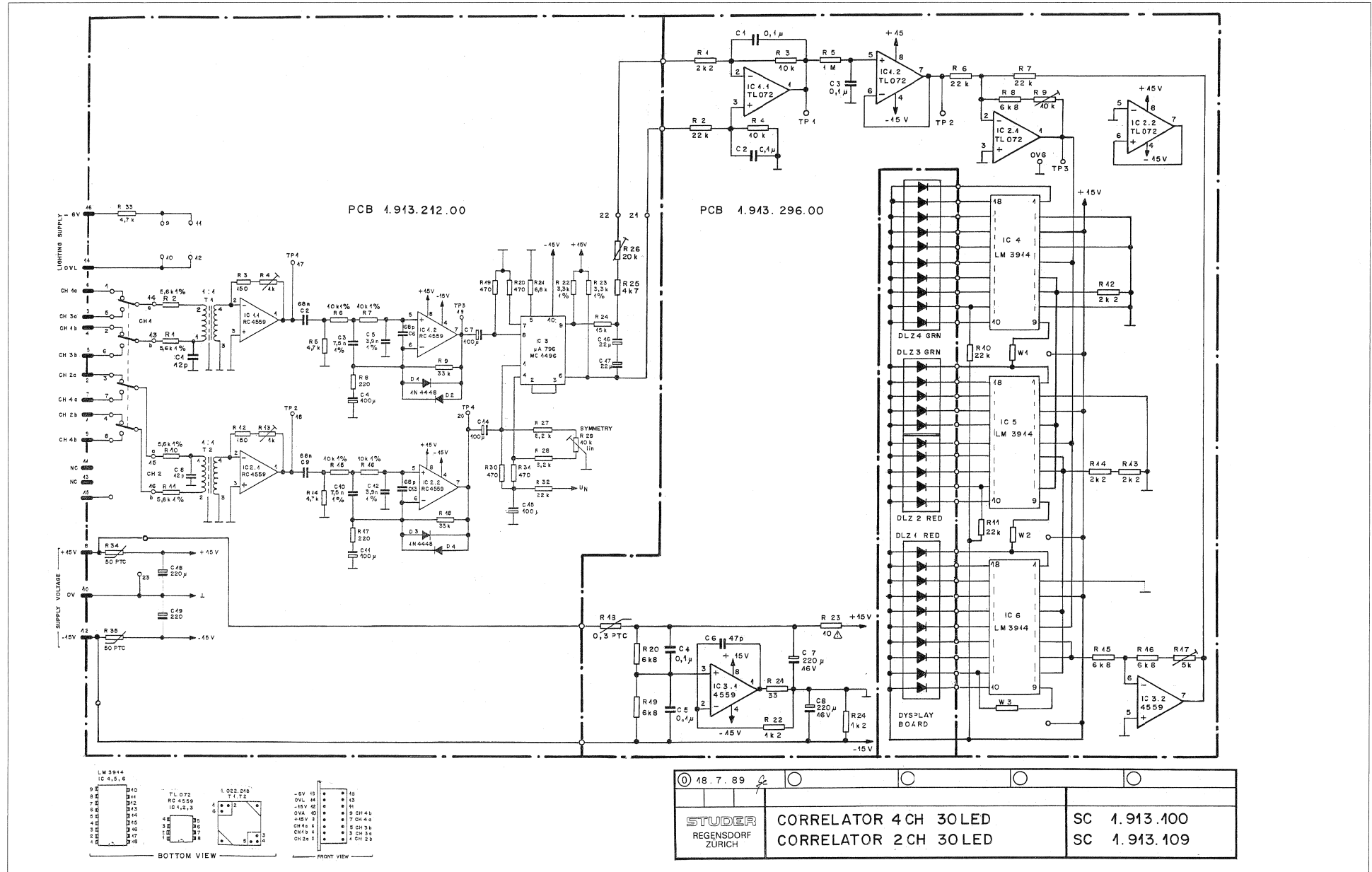


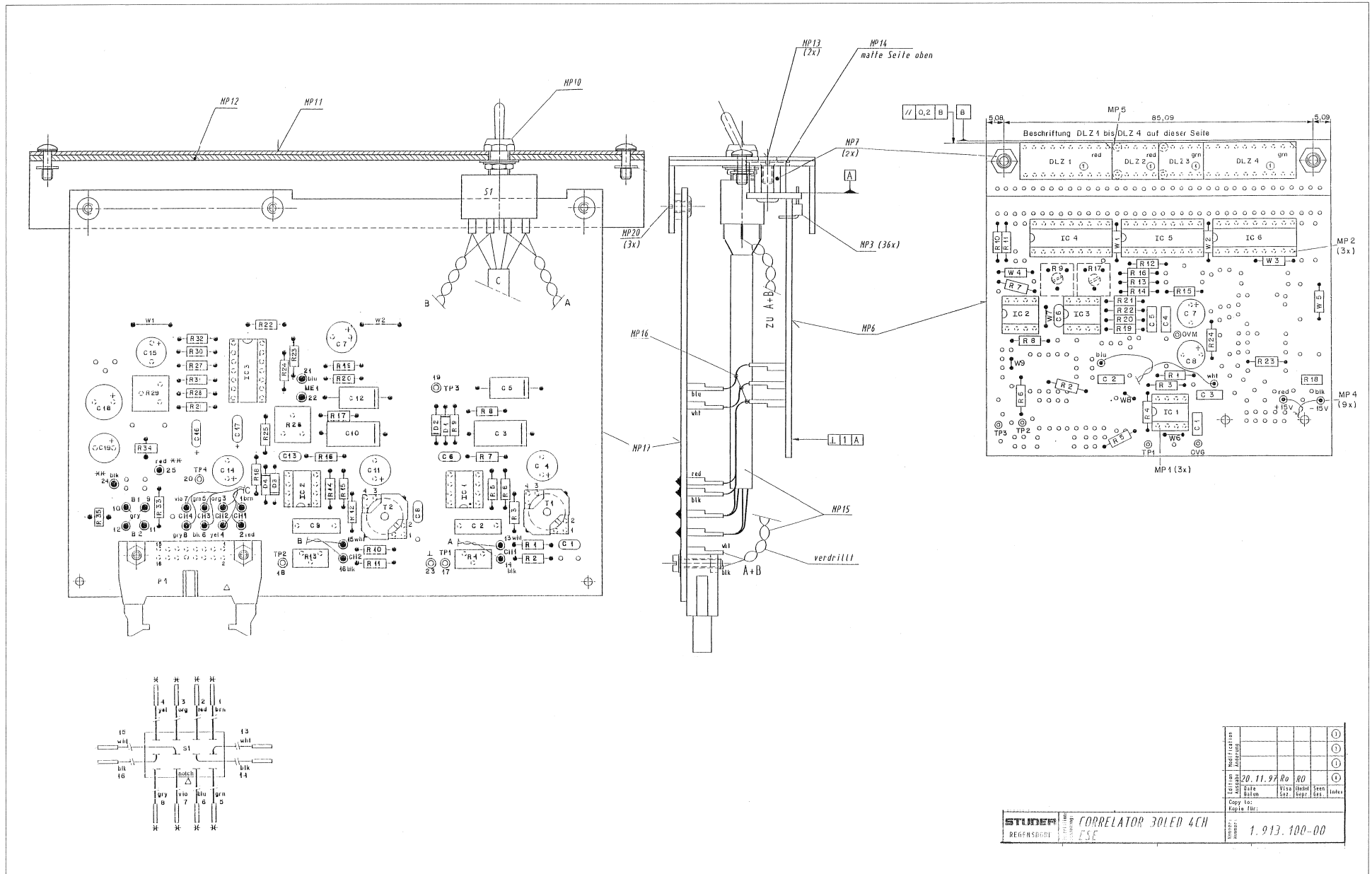
Correlator 4CH 30 LED 1.913.100
 Correlator 2CH 30 LED 1.913.109



| | | | |
|--------------------------------|--|------------------------------|--|
| ① 18.7.89 | | | |
| STUDER REGENSDORF ZÜRICH | CORRELATOR 4 CH 30LED CORRELATOR 2 CH 30LED | SC 1.913.100 SC 1.913.109 | |



Correlator 4CH 30 LED 1.913.100



| | | | | |
|-----------------------------|-----------------------|------------------------------------|---|------------------|
| STUDER REGENSBURG | REF. NO. 1.913.100-00 | CORRELATOR 30LED 4CH CSE | Edition: 11.97 Anzahl: 10 Zeichn. No.: Rev. No.: Gepr. No.: Rep. No.: Ers. No.: Copy to: Kopie für: | ① ② ③ ④ |
|-----------------------------|-----------------------|------------------------------------|---|------------------|



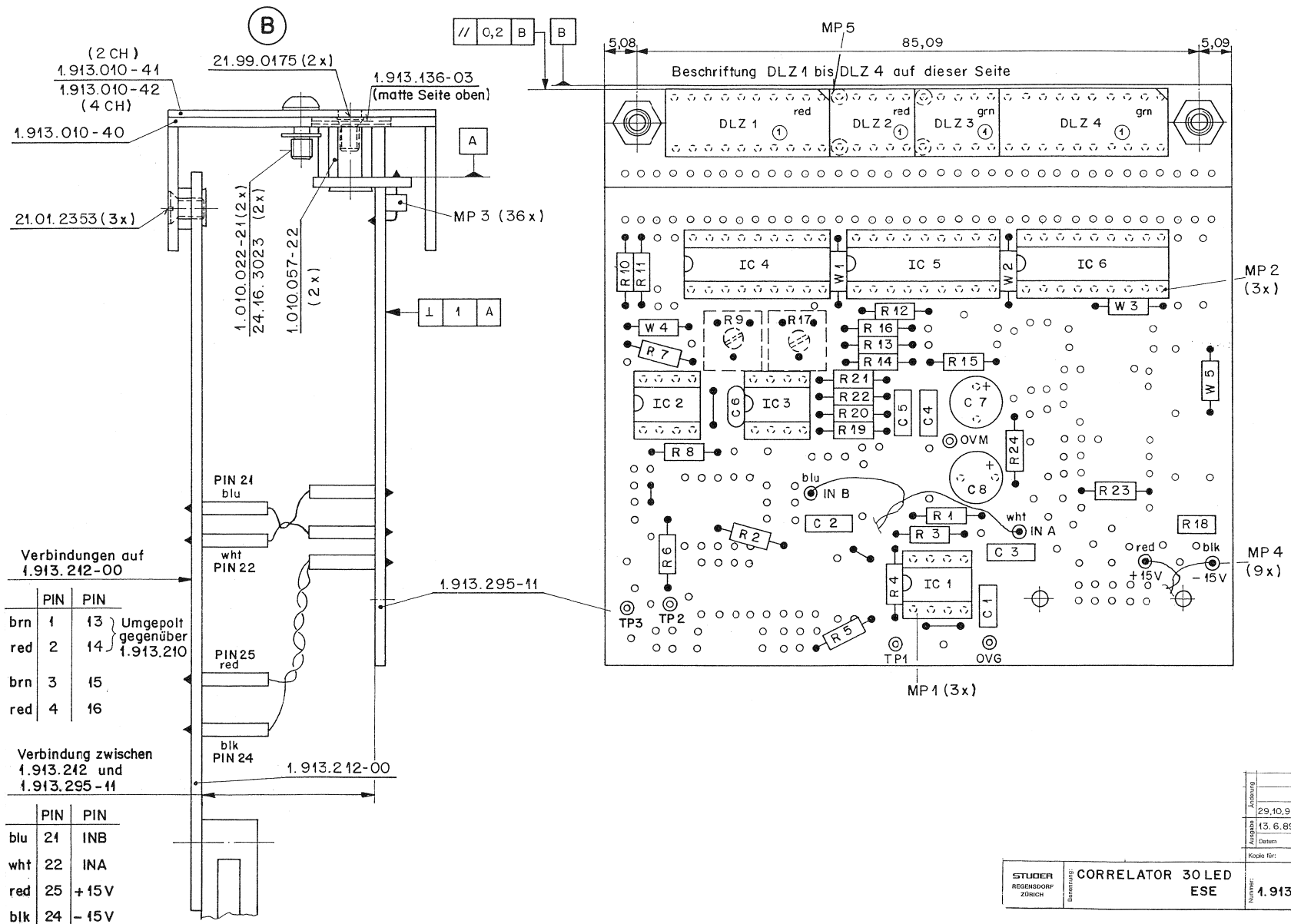
Correlator 4CH 30 LED 1.913.100

| Idx. | Pos. | Part No. | Qty. | Type/Val. | Description |
|------|-------|--------------|-------|-----------|--------------------------------|
| 0 | C 1 | 59.06.0104 | | 100n | PETP, 63V, 10%, RMS |
| 0 | C 2 | 59.06.0104 | | 100n | PETP, 63V, 10%, RMS |
| 0 | C 3 | 59.06.0104 | | 100n | PETP, 63V, 10%, RMS |
| 0 | C 4 | 59.06.0104 | | 100n | PETP, 63V, 10%, RMS |
| 0 | C 5 | 59.06.0104 | | 100n | PETP, 63V, 10%, RMS |
| 0 | C 6 | 59.34.2470 | | 47p | CER 63V, 5%, N150 |
| 0 | C 7 | 59.22.4221 | | 220u | EL 16V, 20%, RMS |
| 0 | C 8 | 59.22.4221 | | 220u | EL 16V, 20%, RMS |
| 0 | DLZ 1 | 50.04.2150 | | MV57164 | DLZ MV 57164 " G " 10"D RT |
| 0 | DLZ 2 | 1.913.109.01 | | | 5 LED DISPLAY RED |
| 0 | DLZ 3 | 1.913.109.02 | | | 5 LED DISPLAY GREEN |
| 0 | DLZ 4 | 50.04.2161 | | GRN | DLZ MV 54 164,LTA1000G 10"D GN |
| 0 | IC 1 | 50.09.0101 | | TL072 | IC TL 072 CN ,A |
| 0 | IC 2 | 50.09.0101 | | TL072 | IC TL 072 CN ,A |
| 0 | IC 3 | 50.09.0107 | | RC4559 | Dual Op-Amp |
| 0 | IC 4 | 50.11.0119 | | LM3914 | IC LM 3914 N, |
| 0 | IC 5 | 50.11.0119 | | LM3914 | IC LM 3914 N, |
| 0 | IC 6 | 50.11.0119 | | LM3914 | IC LM 3914 N, |
| 0 | MP 1 | 53.03.0166 | 3 mp | 8p | DIL 0.3", lötl, gerade |
| 0 | MP 2 | 53.03.0175 | 3 mp | 18p | DIL 0.3", lötl, gerade |
| 0 | MP 3 | 54.11.0132 | 36 mp | 1p | P STIFT,WINKEL 1 PIN=1 STK. |
| 0 | MP 4 | 54.02.0471 | 9 mp | | Stift d 1.5 * 5.5 lötl |
| 0 | MP 5 | 1.913.109.03 | 4 mp | | DISPLAY UNTERLAGE |
| 0 | MP 6 | 1.913.295.11 | 1 pce | | VU/PPM METER 30LED PCB |
| 0 | MP 7 | 1.010.057.22 | 2 pcs | | NIETMUTTER, M 3 * 7.4 |
| 0 | MP 8 | 43.01.0108 | | Label | ESE-WARNSCHILD |
| 0 | MP 9 | 1.913.100.04 | | | STUDER-NR.-ETIKETTE 10 * 20 |
| 0 | MP 10 | 1.010.031.22 | 1 pce | | ABDECKMUTTER SW 8 |
| 0 | MP 11 | 1.913.010.42 | 1 pce | | FRONTSCHILD 1E 30LED CORR.4CH |
| 0 | MP 12 | 1.913.010.40 | 1 pce | | TRAEGER 1E 30LED CORRELATOR |
| 0 | MP 13 | 21.99.0175 | 2 pcs | | S - SCHR. IS ,SVOX, M 3 * 6 |
| 0 | MP 14 | 1.913.136.03 | 1 pce | | FENSTER BUS SELECTOR +VU |
| 0 | MP 15 | 1.913.211.93 | 1 pce | | L-L KORRELATOR 4CH |
| 0 | MP 16 | 1.913.109.93 | 1 pce | | LL CORRELATOR 30 LED |
| 0 | MP 17 | 1.913.212.00 | 1 pce | | CORRELATOR BOARD ,A |
| 0 | MP 18 | 24.16.3023 | 2 pcs | | WELLENSICHERUNG 2.3 |
| 0 | MP 19 | 1.010.022.21 | 2 pcs | | LINSENSCHRAUBE IS SPEZ.M3X8 SW |
| 0 | MP 20 | 21.01.2353 | 3 pcs | | S - SCHR. ,ZN, M 3 * 5 |
| 0 | R 1 | 57.11.3222 | | 2k2 | MF, 1%, 0207 |
| 0 | R 2 | 57.11.3223 | | 22k | MF, 1%, 0207 |
| 0 | R 3 | 57.11.3103 | | 10k | MF, 1%, 0207 |
| 0 | R 4 | 57.11.3103 | | 10k | MF, 1%, 0207 |
| 0 | R 5 | 57.11.3105 | | 1M0 | MF, 1%, 0207 |
| 0 | R 6 | 57.11.3223 | | 22k | MF, 1%, 0207 |
| 0 | R 7 | 57.11.3223 | | 22k | MF, 1%, 0207 |
| 0 | R 8 | 57.11.3682 | | 6k8 | MF, 1%, 0207 |
| 0 | R 9 | 58.01.8103 | | 10k | Cermet, 10%, 0.5W, horizontal |
| 0 | R 10 | 57.11.3223 | | 22k | MF, 1%, 0207 |
| 0 | R 11 | 57.11.3223 | | 22k | MF, 1%, 0207 |
| 0 | R 12 | 57.11.3222 | | 2k2 | MF, 1%, 0207 |
| 0 | R 13 | 57.11.3222 | | 2k2 | MF, 1%, 0207 |
| 0 | R 14 | 57.11.3222 | | 2k2 | MF, 1%, 0207 |
| 0 | R 15 | 57.11.3682 | | 6k8 | MF, 1%, 0207 |
| 0 | R 16 | 57.11.3682 | | 6k8 | MF, 1%, 0207 |
| 0 | R 17 | 58.01.8502 | | 5k | Cermet, 10%, 0.5W, horizontal |
| 0 | R 18 | 57.92.7001 | | | RT 500 MA, PTC ->57.92.7013 |
| 0 | R 19 | 57.11.3682 | | 6k8 | MF, 1%, 0207 |
| 0 | R 20 | 57.11.3682 | | 6k8 | MF, 1%, 0207 |
| 0 | R 21 | 57.11.3330 | | 33R | MF, 1%, 0207 |
| 0 | R 22 | 57.11.3122 | | 1k2 | MF, 1%, 0207 |
| 0 | R 23 | 57.19.0100 | | 10R | 5%, 0207, Fuse |
| 0 | R 24 | 57.11.3122 | | 1k2 | MF, 1%, 0207 |
| 0 | S 1 | 55.01.0115 | | | S KIPP ,4*ON-ON , AG |
| 0 | W 1 | 57.11.3000 | | 0R0 | MF, 0207 |
| 0 | W 2 | 57.11.3000 | | 0R0 | MF, 0207 |
| 0 | W 3 | 57.11.3000 | | 0R0 | MF, 0207 |
| 0 | W 4 | 57.11.3000 | | 0R0 | MF, 0207 |
| 0 | W 5 | 57.11.3000 | | 0R0 | MF, 0207 |
| 0 | W 6 | 1.010.321.64 | | Wire | DRAHTBRUECKE U, 4.3* 5.0, 0.6 |
| 0 | W 7 | 1.010.321.64 | | Wire | DRAHTBRUECKE U, 4.3* 5.0, 0.6 |
| 0 | W 8 | 1.010.329.64 | | Wire | DRAHTBRUECKE U, 4.3* 2.5, 0.6 |
| 0 | W 9 | 1.010.329.64 | | Wire | DRAHTBRUECKE U, 4.3* 2.5, 0.6 |

End of List

Comments

Correlator 2CH 30 LED 1.913.109





Correlator 2CH 30 LED 1.913.109

| Ind. | Pos.Nr. | Teil Nr. | Wert (Menge) | Bezeichnung | Hersteller | Ind. | Pos.Nr. | Teil Nr. | Wert (Menge) | Bezeichnung | Hersteller |
|------|---------|--------------|--------------|-----------------------------|------------|------|---------|------------|--------------|----------------------------|------------|
| 00 | C....01 | 59.06.0104 | 0.1 uF | PE | | 00 | R....23 | 57.19.0100 | 10 Ohm 5% | 0.33W fusible resistor /!\ | |
| 00 | C....02 | 59.06.0104 | 0.1 uF | PE | | 00 | R....24 | 57.11.3122 | 1.2 kOhm 1% | 0.25W | |
| 00 | C....03 | 59.06.0104 | 0.1 uF | PE | | 00 | W....01 | 57.11.3000 | | Wire link | |
| 00 | C....04 | 59.06.0104 | 0.1 uF | PE | | 00 | W....02 | 57.11.3000 | | Wire link | |
| 00 | C....05 | 59.06.0104 | 0.1 uF | PE | | 00 | W....03 | 57.11.3000 | | Wire link | |
| 00 | C....06 | 59.34.2470 | 47 pF | CE | | 00 | W....04 | 57.11.3000 | | Wire link | |
| 00 | C....07 | 59.22.4221 | 220 uF | 16V EL | | 00 | W....05 | 57.11.3000 | | Wire link | |
| 00 | C....08 | 59.22.4221 | 220 uF | 16V EL | | | | | | | |
| 00 | DLZ..01 | 50.04.2150 | 10 LED | DISPLAY RED | HF | | | | | | |
| 00 | DLZ..02 | 1.913.109.01 | 5 LED | DISPLAY RED | St,HP | | | | | | |
| 00 | DLZ..03 | 1.913.109.02 | 5 LED | DISPLAY GREEN | St,HP | | | | | | |
| 00 | DLZ..04 | 50.04.2161 | 10 LED | DISPLAY GREEN | HP | | | | | | |
| 00 | IC...01 | 50.09.0101 | TL 072 | dual op. amp. | NS, TI | | | | | | |
| 00 | IC...02 | 50.09.0101 | TL 072 | dual op. amp. | NS, TI | | | | | | |
| 00 | IC...03 | 50.09.0107 | 4559 | dual op. amp. | RC | | | | | | |
| 00 | IC...04 | 50.11.0119 | LM3914 | LED bar/dot lin. | NS | | | | | | |
| 00 | IC...05 | 50.11.0119 | LM3914 | LED bar/dot lin. | NS | | | | | | |
| 00 | IC...06 | 50.11.0119 | LM3914 | LED bar/dot lin. | NS | | | | | | |
| 00 | MP...01 | 53.03.0166 | 3 pcs | 8-pin IC-socket | | | | | | | |
| 00 | MP...02 | 53.03.0175 | 3 pcs | 18-pin IC-socket | | | | | | | |
| 00 | MP...03 | 54.11.0132 | 36 pcs | Connection | | | | | | | |
| 00 | MP...04 | 54.02.0471 | 9 pcs | Plug (Rund - Steckstift) | | | | | | | |
| 00 | MP...05 | 1.913.109.03 | 1 pcs | Display-Unterlage | St | | | | | | |
| 00 | R....01 | 57.11.3222 | 2.2 kOhm | 1% 0.25W | | | | | | | |
| 00 | R....02 | 57.11.3223 | 22 kOhm | 1% 0.25W | | | | | | | |
| 00 | R....03 | 57.11.3103 | 10 kOhm | 1% 0.25W | | | | | | | |
| 00 | R....04 | 57.11.3103 | 10 kOhm | 1% 0.25W | | | | | | | |
| 00 | R....05 | 57.11.3105 | 1 MOhm | 5% 0.25W | | | | | | | |
| 00 | R....06 | 57.11.3223 | 22 kOhm | 1% 0.25W | | | | | | | |
| 00 | R....07 | 57.11.3223 | 22 kOhm | 1% 0.25W | | | | | | | |
| 00 | R....08 | 57.11.3682 | 6.8 kOhm | 1% 0.25W | | | | | | | |
| 00 | R....09 | 58.01.8103 | 10 kOhm | 10% 0.50W variabel, liegend | | | | | | | |
| 00 | R....10 | 57.11.3223 | 22 kOhm | 1% 0.25W | | | | | | | |
| 00 | R....11 | 57.11.3223 | 22 kOhm | 1% 0.25W | | | | | | | |
| 00 | R....12 | 57.11.3222 | 2.2 kOhm | 1% 0.25W | | | | | | | |
| 00 | R....13 | 57.11.3222 | 2.2 kOhm | 1% 0.25W | | | | | | | |
| 00 | R....14 | 57.11.3222 | 2.2 kOhm | 1% 0.25W | | | | | | | |
| 00 | R....15 | 57.11.3682 | 6.8 kOhm | 1% 0.25W | | | | | | | |
| 00 | R....16 | 57.11.3682 | 6.8 kOhm | 1% 0.25W | | | | | | | |
| 00 | R....17 | 58.01.8502 | 5 kOhm | 10% 0.50W variabel, liegend | | | | | | | |
| 00 | R....18 | 57.92.7001 | 0.3 Ohm | 0.5 A PTC | | | | | | | |
| 00 | R....19 | 57.11.3682 | 6.8 kOhm | 1% 0.25W | | | | | | | |
| 00 | R....20 | 57.11.3682 | 6.8 kOhm | 1% 0.25W | | | | | | | |
| 00 | R....21 | 57.11.3330 | 33 Ohm | 1% 0.25W | | | | | | | |
| 00 | R....22 | 57.11.3122 | 1.2 kOhm | 1% 0.25W | | | | | | | |

CE=Ceramic, CF=Carbon Film, EL=Electrolytic, MF=Metal Film, PE=Polyester, PP=Polypropylen, PS=Polystyrol

MANUFACTURER: Bu=Burndy, Ex=Exar, Fc=Fairchild, GI=General Instrument, HP=Hewlett Packard, ITT=Intermetall, Mot=Motorola, NS=National Semiconductors, Ph=Philips, Ra=Raytheon, Sig=Signetics, Si=Siemens, St=Studer, TI=Texas Instrument,