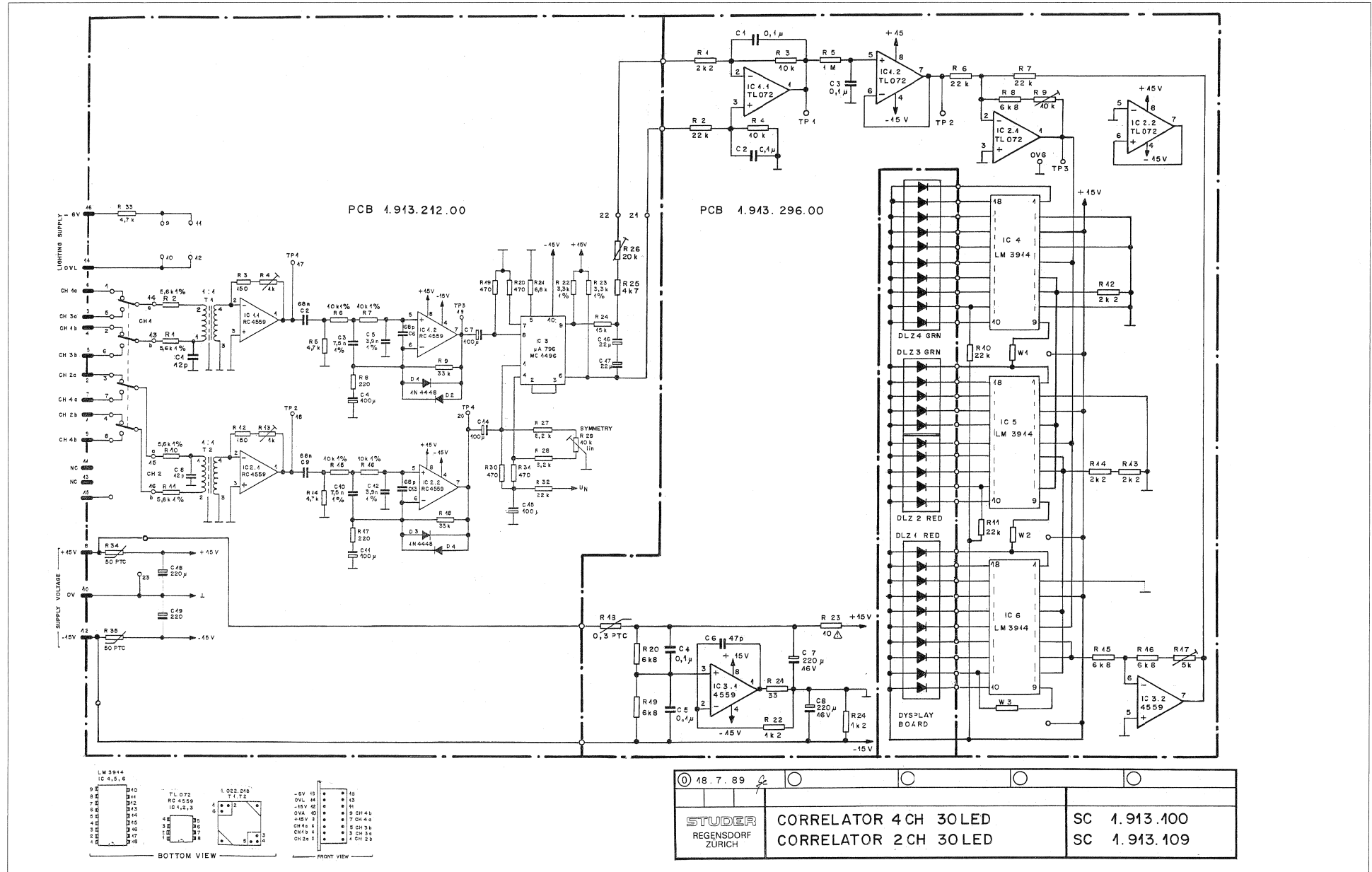
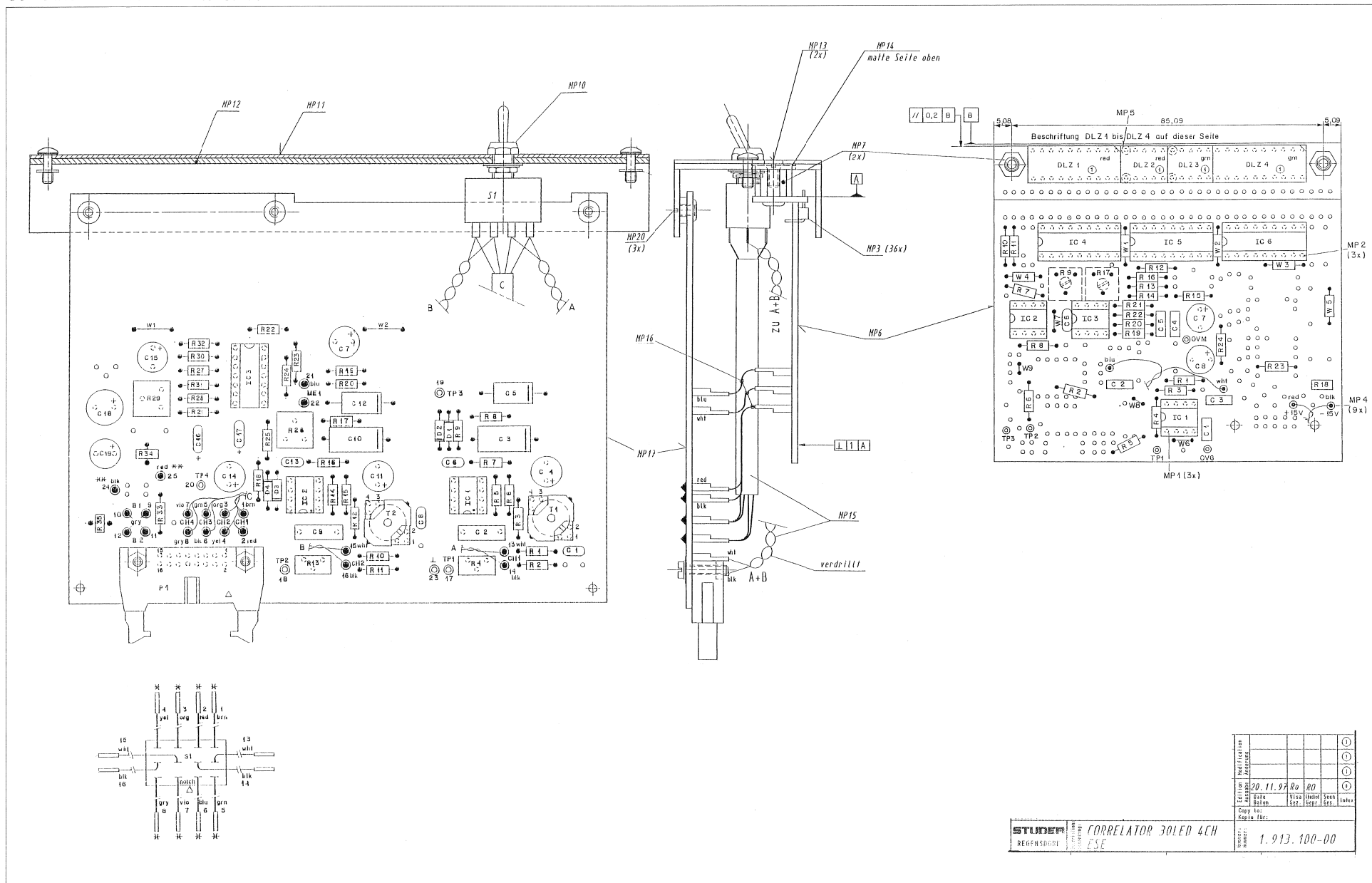


Correlator 4CH 30 LED 1.913.100
 Correlator 2CH 30 LED 1.913.109





Correlator 4CH 30 LED 1.913.100



STUDER REWEISSBUCH	ARTIKEL-NR.	1.913.100	REV.	05
	CORRELATOR 30LED 4CH			
COPY TO:		1.913.100-00		

Edition: 0.11.97 Author: Ro Zeichner: RD Gepr. v. RD Gepr. v. RD	Gepr. v. RD Gepr. v. RD	Gepr. v. RD Gepr. v. RD	Gepr. v. RD Gepr. v. RD
Copy to: Kopie für:	1.913.100-00		



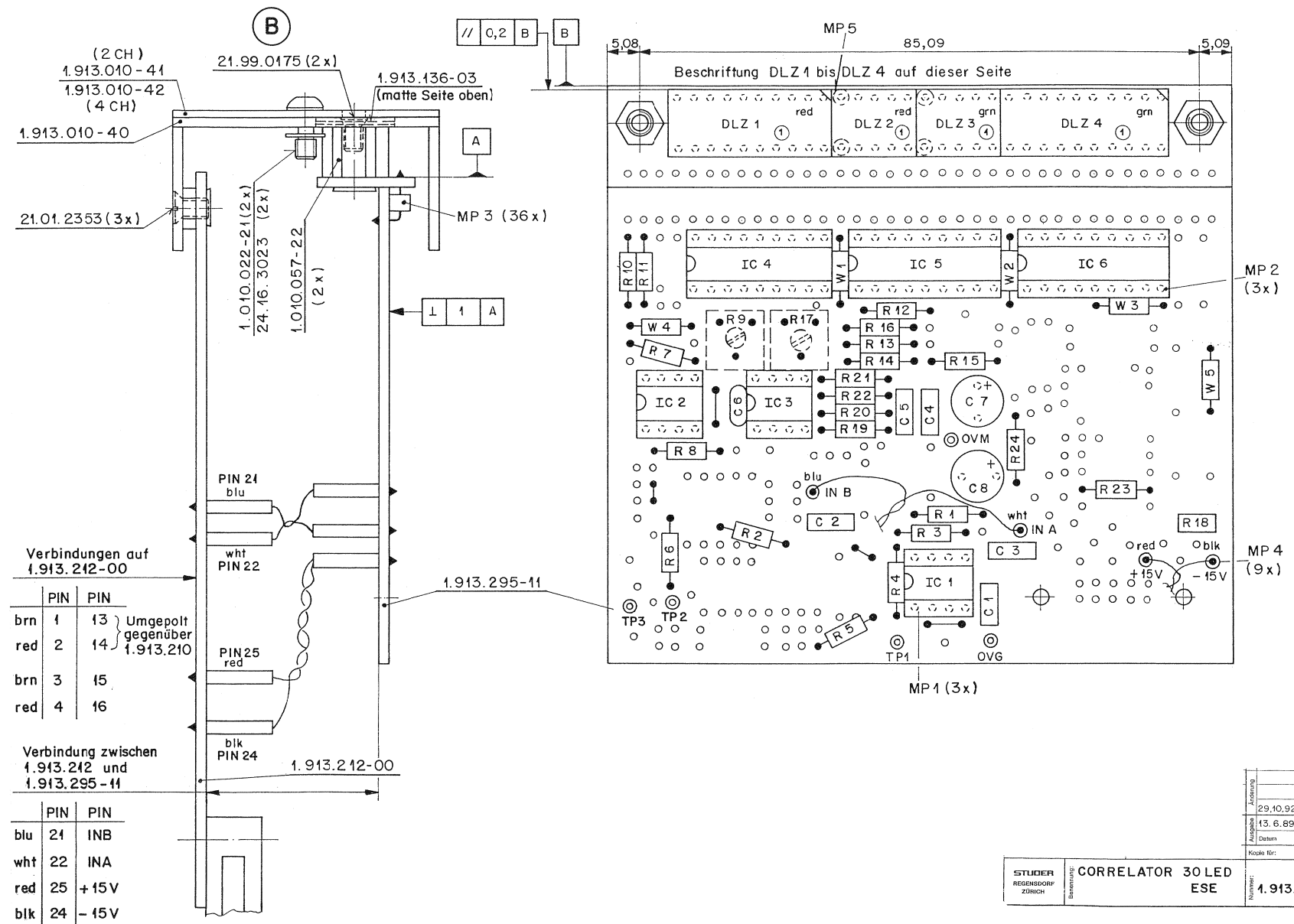
Correlator 4CH 30 LED 1.913.100

Idx.	Pos.	Part No.	Qty.	Type/Val.	Description
0	C 1	59.06.0104		100n	PETP, 63V, 10%, RMS
0	C 2	59.06.0104		100n	PETP, 63V, 10%, RMS
0	C 3	59.06.0104		100n	PETP, 63V, 10%, RMS
0	C 4	59.06.0104		100n	PETP, 63V, 10%, RMS
0	C 5	59.06.0104		100n	PETP, 63V, 10%, RMS
0	C 6	59.34.2470		47p	CER 63V, 5%, N150
0	C 7	59.22.4221		220u	EL 16V, 20%, RM5
0	C 8	59.22.4221		220u	EL 16V, 20%, RM5
0	DLZ 1	50.04.2150		MV57164	DLZ MV 57164 " G " 10"D RT
0	DLZ 2	1.913.109.01			5 LED DISPLAY RED
0	DLZ 3	1.913.109.02			5 LED DISPLAY GREEN
0	DLZ 4	50.04.2161		GRN	DLZ MV 54 164,LTA1000G 10"D GN
0	IC 1	50.09.0101		TL072	IC TL 072 CN ,A
0	IC 2	50.09.0101		TL072	IC TL 072 CN ,A
0	IC 3	50.09.0107		RC4559	Dual Op-Amp
0	IC 4	50.11.0119		LM3914	IC LM 3914 N,
0	IC 5	50.11.0119		LM3914	IC LM 3914 N,
0	IC 6	50.11.0119		LM3914	IC LM 3914 N,
0	MP 1	53.03.0166	3 mp	8p	DIL 0.3", löf, gerade
0	MP 2	53.03.0175	3 mp	18p	DIL 0.3", löf, gerade
0	MP 3	54.11.0132	36 mp	1p	P STIFT,WINKEL 1 PIN=1 STK.
0	MP 4	54.02.0471	9 mp		Stift d 1.5 * 5.5 löf
0	MP 5	1.913.109.03	4 mp		DISPLAY UNTERLAGE
0	MP 6	1.913.295.11	1 pce		VU/PPM METER 30LED PCB
0	MP 7	1.010.057.22	2 pcs		NIETMUTTER, M 3 * 7.4
0	MP 8	43.01.0108		Label	ESE-WARNSCHILD
0	MP 9	1.913.100.04			STUDER-NR.-ETIKETTE 10 * 20
0	MP 10	1.010.031.22	1 pce		ABDECKMUTTER SW 8
0	MP 11	1.913.010.42	1 pce		FRONTSCHILD 1E 30LED CORR.4CH
0	MP 12	1.913.010.40	1 pce		TRAEGER 1E 30LED CORRELATOR
0	MP 13	21.99.0175	2 pcs		S - SCHR. IS ,SVOX, M 3 * 6
0	MP 14	1.913.136.03	1 pce		FENSTER BUS SELECTOR +VU
0	MP 15	1.913.211.93	1 pce		LL-KORRELATOR 4CH
0	MP 16	1.913.109.93	1 pce		LL CORRELATOR 30 LED
0	MP 17	1.913.212.00	1 pce		CORRELATOR BOARD ,A
0	MP 18	24.16.3023	2 pcs		WELLENSICHERUNG 2.3
0	MP 19	1.010.022.21	2 pcs		LINSENSCHRAUBE IS SPEZ.M3X8 SW
0	MP 20	21.01.2353	3 pcs		S - SCHR. ,ZN, M 3 * 5
0	R 1	57.11.3222		2k2	MF, 1%, 0207
0	R 2	57.11.3223		22k	MF, 1%, 0207
0	R 3	57.11.3103		10k	MF, 1%, 0207
0	R 4	57.11.3103		10k	MF, 1%, 0207
0	R 5	57.11.3105		1M0	MF, 1%, 0207
0	R 6	57.11.3223		22k	MF, 1%, 0207
0	R 7	57.11.3223		22k	MF, 1%, 0207
0	R 8	57.11.3682		6k8	MF, 1%, 0207
0	R 9	58.01.8103		10k	Cermet, 10%, 0.5W, horizontal
0	R 10	57.11.3223		22k	MF, 1%, 0207
0	R 11	57.11.3223		22k	MF, 1%, 0207
0	R 12	57.11.3222		2k2	MF, 1%, 0207
0	R 13	57.11.3222		2k2	MF, 1%, 0207
0	R 14	57.11.3222		2k2	MF, 1%, 0207
0	R 15	57.11.3682		6k8	MF, 1%, 0207
0	R 16	57.11.3682		6k8	MF, 1%, 0207
0	R 17	58.01.8502		5k	Cermet, 10%, 0.5W, horizontal
0	R 18	57.92.7001			RT 500 MA, PTC ->57.92.7013
0	R 19	57.11.3682		6k8	MF, 1%, 0207
0	R 20	57.11.3682		6k8	MF, 1%, 0207
0	R 21	57.11.3330		33R	MF, 1%, 0207
0	R 22	57.11.3122		1k2	MF, 1%, 0207
0	R 23	57.19.0100		10R	5%, 0207, Fuse
0	R 24	57.11.3122		1k2	MF, 1%, 0207
0	S 1	55.01.0115			S KIPP ,4*ON-ON , AG
0	W 1	57.11.3000		0R0	MF, 0207
0	W 2	57.11.3000		0R0	MF, 0207
0	W 3	57.11.3000		0R0	MF, 0207
0	W 4	57.11.3000		0R0	MF, 0207
0	W 5	57.11.3000		0R0	MF, 0207
0	W 6	1.010.321.64		Wire	DRAHTBRUECKE U, 4.3* 5.0, 0.6
0	W 7	1.010.321.64		Wire	DRAHTBRUECKE U, 4.3* 5.0, 0.6
0	W 8	1.010.329.64		Wire	DRAHTBRUECKE U, 4.3* 2.5, 0.6
0	W 9	1.010.329.64		Wire	DRAHTBRUECKE U, 4.3* 2.5, 0.6

End of List

Comments

Correlator 2CH 30 LED 1.913.109



Anordnung					
29.10.92	PH	W	TH		
13.6.89	W	W	W		
Datum	Gez.	Gepr.	Gez.	Index	

STUDER REGENSDORF ZÜRICH

CORRELATOR 30 LED ESE

1.913.109-00



Correlator 2CH 30 LED 1.913.109

Ind.	Pos.Nr.	Teil Nr.	Wert (Menge)	Bezeichnung	Hersteller	Ind.	Pos.Nr.	Teil Nr.	Wert (Menge)	Bezeichnung	Hersteller
00	C....01	59.06.0104	0.1 uF	PE		00	R....23	57.19.0100	10 Ohm	5% 0.33W fusible resistor /!\	
00	C....02	59.06.0104	0.1 uF	PE		00	R....24	57.11.3122	1.2 kOhm	1% 0.25W	
00	C....03	59.06.0104	0.1 uF	PE		00	W....01	57.11.3000		Wire link	
00	C....04	59.06.0104	0.1 uF	PE		00	W....02	57.11.3000		Wire link	
00	C....05	59.06.0104	0.1 uF	PE		00	W....03	57.11.3000		Wire link	
00	C....06	59.34.2470	47 pF	CE		00	W....04	57.11.3000		Wire link	
00	C....07	59.22.4221	220 uF	16V EL		00	W....05	57.11.3000		Wire link	
00	C....08	59.22.4221	220 uF	16V EL							
00	DLZ..01	50.04.2150	10 LED	DISPLAY RED	HF						
00	DLZ..02	1.913.109.01	5 LED	DISPLAY RED	St, HF						
00	DLZ..03	1.913.109.02	5 LED	DISPLAY GREEN	St, HF						
00	DLZ..04	50.04.2161	10 LED	DISPLAY GREEN	HF						
00	IC...01	50.09.0101	TL 072	dual op. amp.	NS, TI						
00	IC...02	50.09.0101	TL 072	dual op. amp.	NS, TI						
00	IC...03	50.09.0107	4559	dual op. amp.	RC						
00	IC...04	50.11.0119	LM3914	LED bar/dot lin.	NS						
00	IC...05	50.11.0119	LM3914	LED bar/dot lin.	NS						
00	IC...06	50.11.0119	LM3914	LED bar/dot lin.	NS						
00	MP...01	53.03.0166	3 pcs	8-pin IC-socket							
00	MP...02	53.03.0175	3 pcs	18-pin IC-socket							
00	MP...03	54.11.0132	36 pcs	Connection							
00	MP...04	54.02.0471	9 pcs	Plug (Rund - Steckstift)							
00	MP...05	1.913.109.03	1 pcs	Display-Unterlage	St						
00	R....01	57.11.3222	2.2 kOhm	1% 0.25W							
00	R....02	57.11.3223	22 kOhm	1% 0.25W							
00	R....03	57.11.3103	10 kOhm	1% 0.25W							
00	R....04	57.11.3103	10 kOhm	1% 0.25W							
00	R....05	57.11.3105	1 MOhm	5% 0.25W							
00	R....06	57.11.3223	22 kOhm	1% 0.25W							
00	R....07	57.11.3223	22 kOhm	1% 0.25W							
00	R....08	57.11.3682	6.8 kOhm	1% 0.25W							
00	R....09	58.01.8103	10 kOhm	10% 0.50W variabel, liegend							
00	R....10	57.11.3223	22 kOhm	1% 0.25W							
00	R....11	57.11.3223	22 kOhm	1% 0.25W							
00	R....12	57.11.3222	2.2 kOhm	1% 0.25W							
00	R....13	57.11.3222	2.2 kOhm	1% 0.25W							
00	R....14	57.11.3222	2.2 kOhm	1% 0.25W							
00	R....15	57.11.3682	6.8 kOhm	1% 0.25W							
00	R....16	57.11.3682	6.8 kOhm	1% 0.25W							
00	R....17	58.01.8502	5 kOhm	10% 0.50W variabel, liegend							
00	R....18	57.92.7001	0.3 Ohm	0.5 A PTC							
00	R....19	57.11.3682	6.8 kOhm	1% 0.25W							
00	R....20	57.11.3682	6.8 kOhm	1% 0.25W							
00	R....21	57.11.3330	33 Ohm	1% 0.25W							
00	R....22	57.11.3122	1.2 kOhm	1% 0.25W							

CE=Ceramic, CF=Carbon Film, EL=Electrolytic, MF=Metal Film, PE=Polyester, PP=Polypropylen, PS=Polystyrol

MANUFACTURER: Bu=Burndy, Ex=Exar, Fc=Fairchild, GI=General Instrument, HP=Hewlett Packard, ITT=Intermetall, Mot=Motorola, NS=National Semiconductors, Ph=Philips, Ra=Raytheon, Sig=Signetics, Si=Siemens, St=Studer, TI=Texas Instrument,