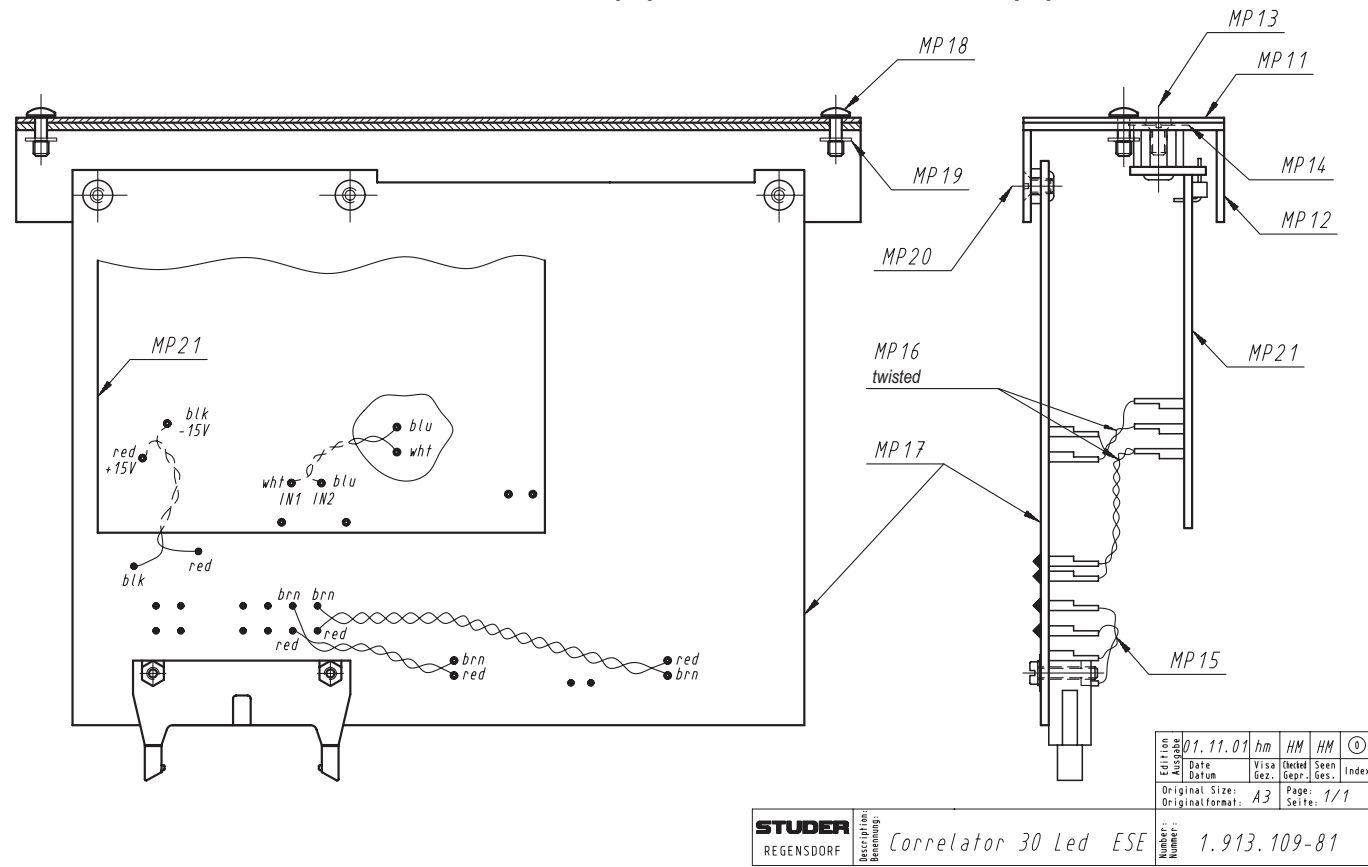


Correlator 30 LED, 2-CH 1.913.109.81 (0) / 4-CH 1.913.100.81 (0)



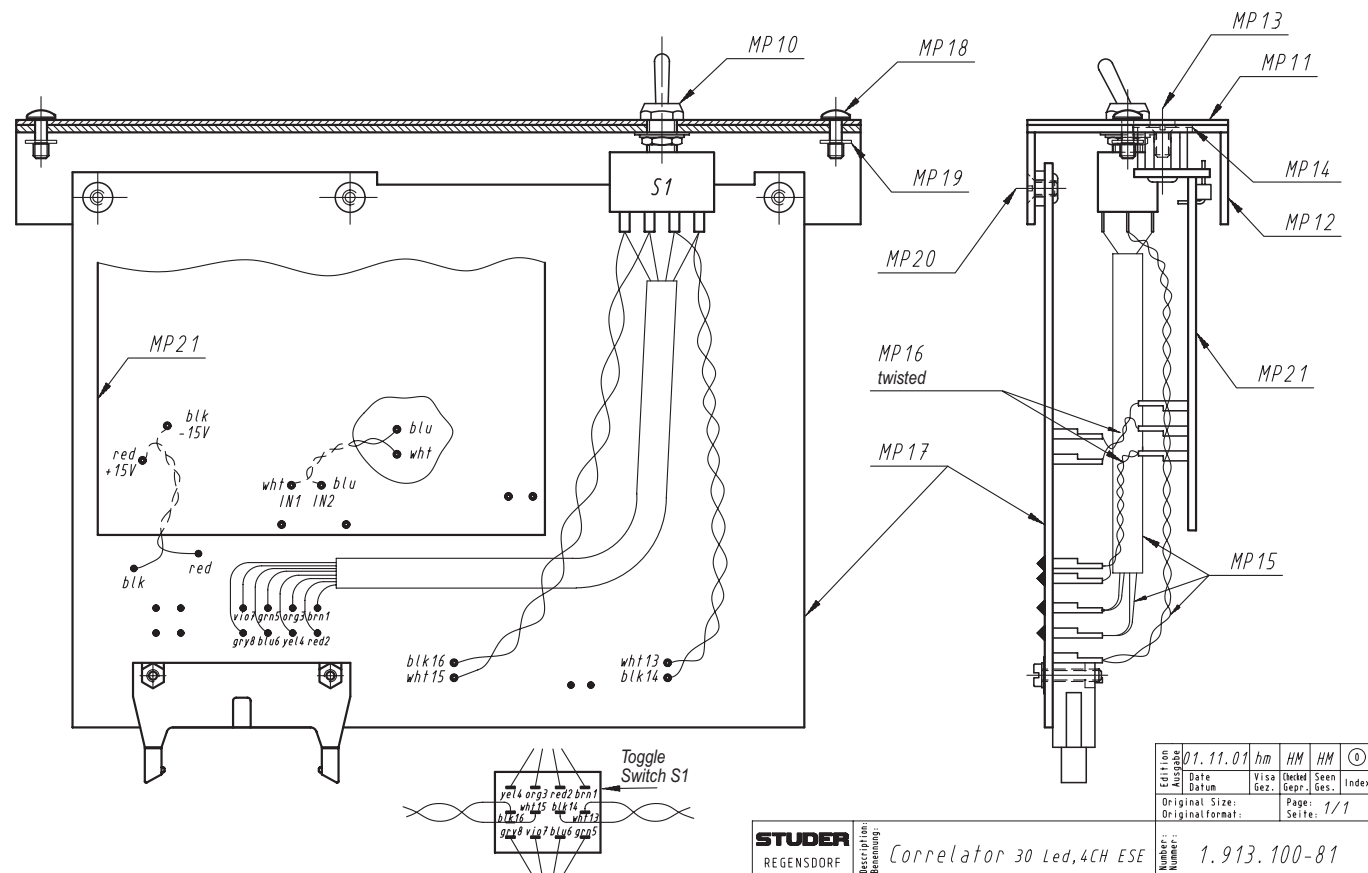
Correlator 30 LED, 2-CH 1.913.109.81 (0)

| Idx. Pos. | Part No. | Qty. | Type/Val. | Description |
|-----------|----------|--------------|------------|-------------------------------|
| 0 | MP 9 | 1.913.109.04 | 1 pce | STUDER-NR.-ETIKETTE 10 * 20 |
| 0 | MP 11 | 1.913.010.41 | 1 pce | FRONTSCHILD 1E 30LED CORR.2CH |
| 0 | MP 12 | 1.913.010.40 | 1 pce | TRAEGER 1E 30LED CORRELATOR |
| 0 | MP 13 | 21.99.0175 | 2 pcs M3*6 | S-Schraube IS A2 sw oxydiert |
| 0 | MP 14 | 1.913.136.03 | 1 pce | FENSTER BUS SELECTOR +VU |
| 0 | MP 15 | 1.913.212.93 | 1 pce | LL KORRELATOR 2CH |
| 0 | MP 16 | 1.913.109.93 | 1 pce | LL KORRELATOR 30 LED |
| 0 | MP 17 | 1.913.212.00 | 1 pce | CORRELATOR BOARD ,A |
| 0 | MP 18 | 24.16.3023 | 2 pcs 2.3 | Wellensicherung |
| 0 | MP 19 | 1.010.022.21 | 2 pcs M3*8 | L-Schraube IS sw spezial |
| 0 | MP 20 | 21.01.2353 | 3 pcs M3*5 | S - Schraube Zn bl chr |
| 0 | MP 21 | 1.913.095.00 | 1 pce | CORRELATOR 30LED 2CH ,A |

Comments:

End of List

| Idx. Pos. | Part No. | Qty. | Type/Val. | Description |
|-----------|----------|------|-----------|-------------|
|-----------|----------|------|-----------|-------------|



Correlator 30 LED, 4-CH 1.913.100.81 (0)

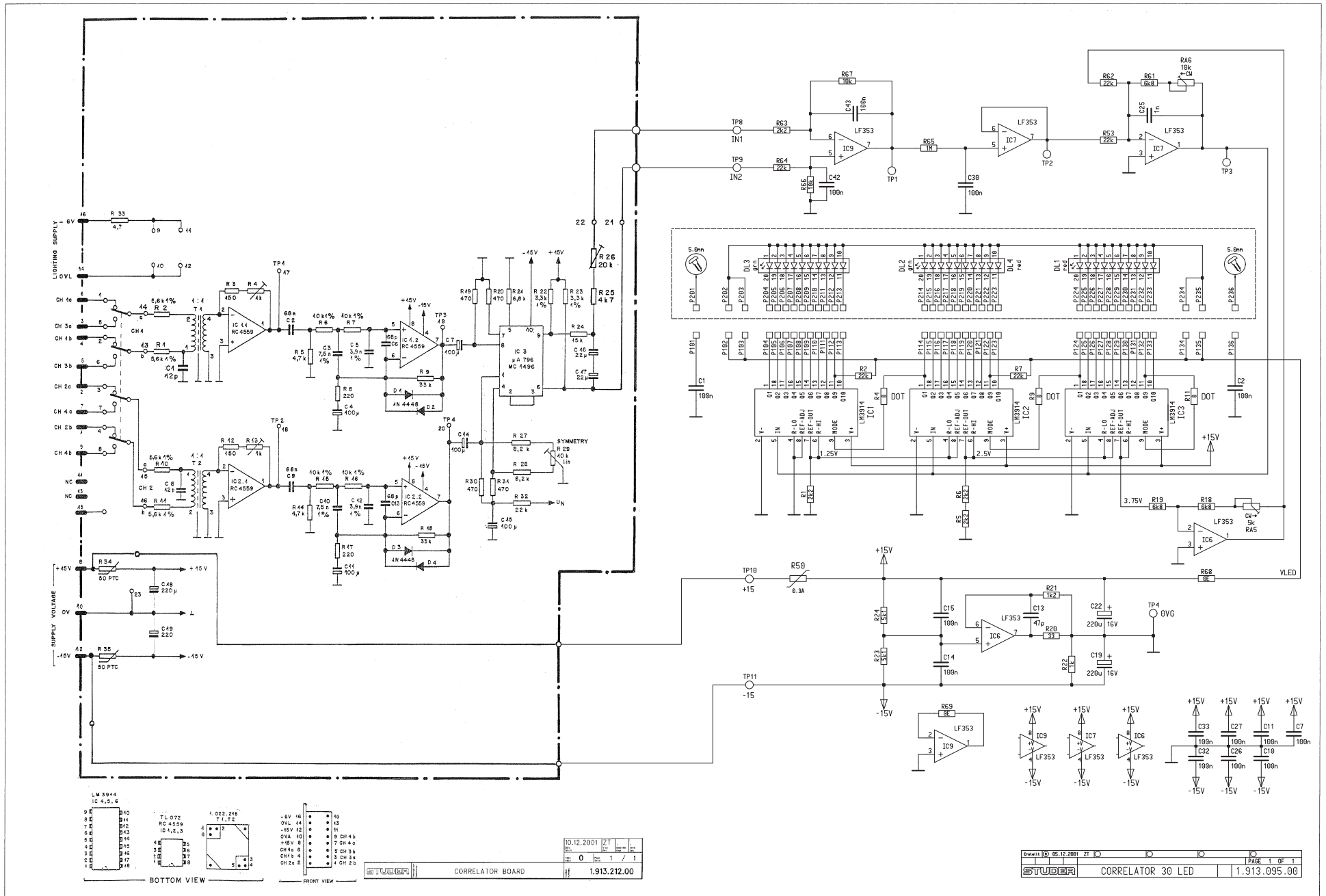
| Idx. Pos. | Part No. | Qty. | Type/Val. | Description |
|-----------|----------|--------------|--------------------|-------------------------------|
| 0 | MP 9 | 1.913.100.04 | 1 pce | STUDER-NR.-ETIKETTE 10 * 20 |
| 0 | MP 10 | 1.010.031.22 | 1 pce 1/4*40NS | Abdeck-Mutter Ms Ni |
| 0 | MP 11 | 1.913.010.42 | 1 pce | FRONTSCHILD 1E 30LED CORR.4CH |
| 0 | MP 12 | 1.913.010.40 | 1 pce | TRAEGER 1E 30LED CORRELATOR |
| 0 | MP 13 | 21.99.0175 | 2 pcs M3*6 | S-Schraube IS A2 sw oxydiert |
| 0 | MP 14 | 1.913.136.03 | 1 pce | FENSTER BUS SELECTOR +VU |
| 0 | MP 15 | 1.913.211.93 | 1 pce | LL KORRELATOR 4CH |
| 0 | MP 16 | 1.913.109.93 | 1 pce | LL KORRELATOR 30 LED |
| 0 | MP 17 | 1.913.212.00 | 1 pce | CORRELATOR BOARD ,A |
| 0 | MP 18 | 24.16.3023 | 2 pcs 2.3 | Wellensicherung |
| 0 | MP 19 | 1.010.022.21 | 2 pcs M3*8 | L-Schraube IS sw spezial |
| 0 | MP 20 | 21.01.2353 | 3 pcs M3*5 | S - Schraube Zn bl chr |
| 0 | MP 21 | 1.913.095.00 | 1 pce | CORRELATOR 30LED 2CH ,A |
| 0 | S 1 | 55.01.0115 | 1 pce 4*on-none-on | Kippschalter Ag |

Comments:

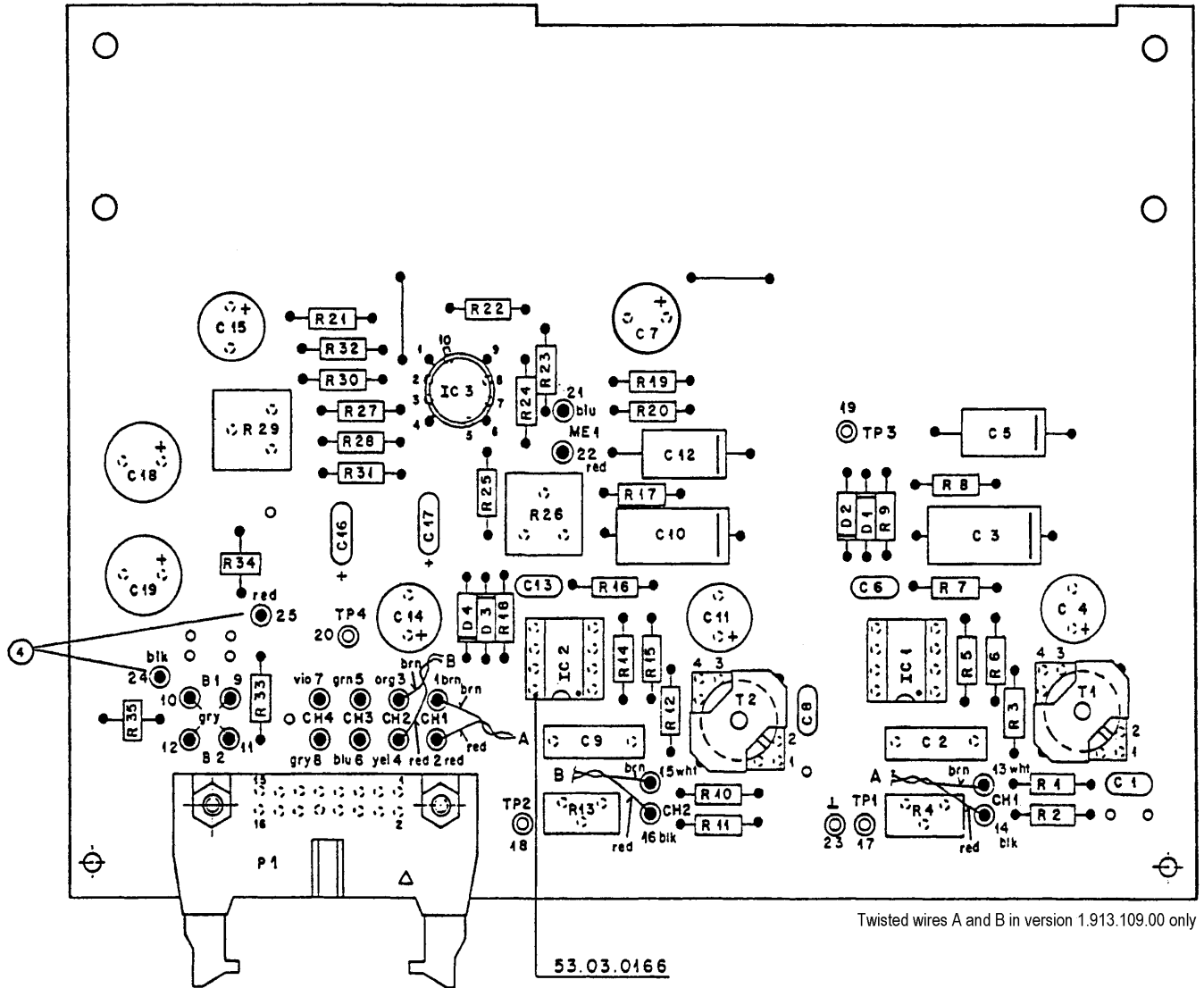
End of List

| Idx. Pos. | Part No. | Qty. | Type/Val. | Description |
|-----------|----------|------|-----------|-------------|
|-----------|----------|------|-----------|-------------|

Correlator 4CH 30 LED 1.913.100
Correlator 2CH 30 LED 1.913.109

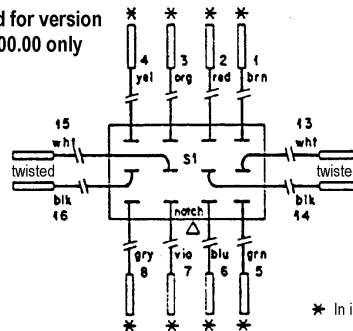


Correlator PCB 1.913.212.00 (4)



Twisted wires A and B in version 1.913.109.00 only

S1 used for version 1.913.100.00 only



* In insulating tube 65.03.0146

| | | | | | |
|----------|------|------|------|------|--------|
| 30.11.88 | A.H. | 17 | 17 | 17 | 17 |
| 12.11.86 | A.Ho | 17 | 17 | 17 | 17 |
| 10.12.84 | A.Ho | 17 | 17 | 17 | 17 |
| 4.1.84 | A.Ho | 17 | 17 | 17 | 17 |
| 9.2.83 | A.Ho | 17 | 17 | 17 | 17 |
| Datum | Gez. | Gez. | Gez. | Gez. | Indst. |

| | | |
|--------------------------------|---------------------------------------|-----------------------------|
| STUDER REGENSDORF ZÜRICH | MEMORANDUM CORRELATOR BOARD | NUMMER: 1.913.212 |
|--------------------------------|---------------------------------------|-----------------------------|

Correlator PCB 1.913.212.00 (0)

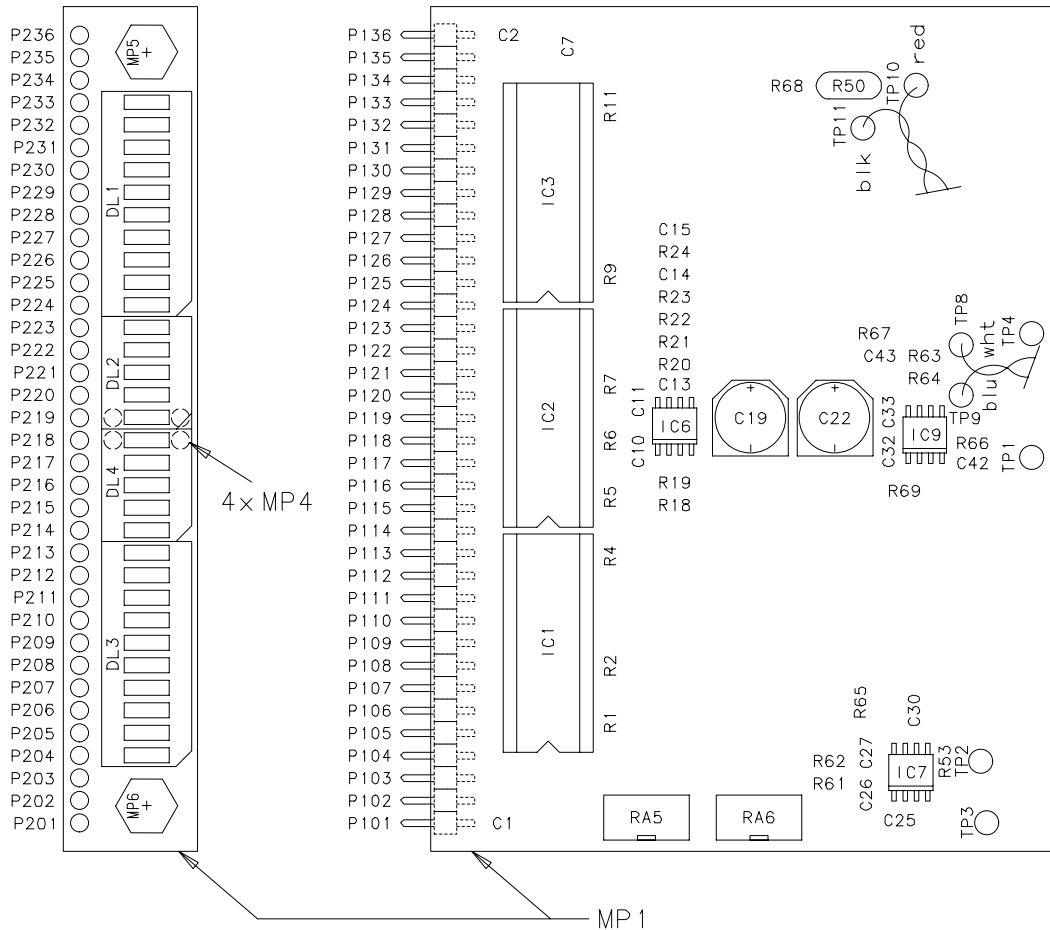
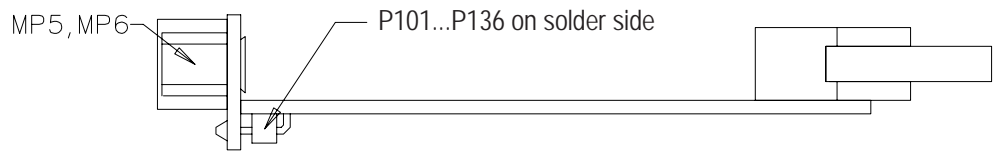
| Idx. Pos. | Part No. | Qty. | Type/Val. | Description |
|-----------|----------|--------------|-----------|-------------------------------|
| 0 | C 1 | 59.34.1120 | 12p | CER 63V, 5%, NP 0 |
| 0 | C 2 | 59.02.5683 | 68n | MPC, 5%, 250V |
| 0 | C 3 | 59.12.7752 | 7n5 | PS 63V 1% |
| 0 | C 4 | 59.22.5101 | 100u | EL 25V 20% RM5 |
| 0 | C 5 | 59.12.7392 | 3n9 | PS 63V 1% |
| 0 | C 6 | 59.34.4680 | 68p | CER 63V, 5%, N750 |
| 0 | C 7 | 59.22.5101 | 100u | EL 25V 20% RM5 |
| 0 | C 8 | 59.34.1120 | 12p | CER 63V, 5%, NP 0 |
| 0 | C 9 | 59.02.5683 | 68n | MPC, 5%, 250V |
| 0 | C 10 | 59.12.7752 | 7n5 | PS 63V 1% |
| 0 | C 11 | 59.22.5101 | 100u | EL 25V 20% RM5 |
| 0 | C 12 | 59.12.7392 | 3n9 | PS 63V 1% |
| 0 | C 13 | 59.34.4680 | 68p | CER 63V, 5%, N750 |
| 0 | C 14 | 59.22.5101 | 100u | EL 25V 20% RM5 |
| 0 | C 15 | 59.22.5101 | 100u | EL 25V 20% RM5 |
| 0 | C 16 | 59.26.1220 | 22u | SAL 10V 20% |
| 0 | C 17 | 59.26.1220 | 22u | SAL 10V 20% |
| 0 | C 18 | 59.22.4221 | 220u | EL 16V 20% RM5 |
| 0 | C 19 | 59.22.4221 | 220u | EL 16V 20% RM5 |
| 0 | D 1 | 50.04.0125 | 1N4448 | 75V, 150mA, 4ns, DO-35 |
| 0 | D 2 | 50.04.0125 | 1N4448 | 75V, 150mA, 4ns, DO-35 |
| 0 | D 3 | 50.04.0125 | 1N4448 | 75V, 150mA, 4ns, DO-35 |
| 0 | D 4 | 50.04.0125 | 1N4448 | 75V, 150mA, 4ns, DO-35 |
| 0 | IC 1 | 50.09.0107 | 4559 | Dual Op-Amp |
| 0 | IC 2 | 50.09.0107 | 4559 | Dual Op-Amp |
| 0 | IC 3 | 50.05.0122 | 1496 | Multiplier TO100 |
| 0 | MP 1 | 1.913.210.11 | 1 pcs | CORRELATOR BOARD |
| 0 | MP 2 | 54.02.0471 | 25 pcs | Stift d 1.5 * 5.5 lot |
| 0 | P 1 | 54.14.2012 | 16p | Winkelstecker Au |
| 0 | R 1 | 57.11.3562 | 5k6 | MF, 1%, 0207 |
| 0 | R 2 | 57.11.3562 | 5k6 | MF, 1%, 0207 |
| 0 | R 3 | 57.11.3151 | 150R | MF, 1%, 0207 |
| 0 | R 4 | 58.01.7102 | 1k0 | Cermet, 10% 0.25W |
| 0 | R 5 | 57.11.3472 | 4k7 | MF, 1%, 0207 |
| 0 | R 6 | 57.11.3103 | 10k | MF, 1%, 0207 |
| 0 | R 7 | 57.11.3103 | 10k | MF, 1%, 0207 |
| 0 | R 8 | 57.11.3221 | 220R | MF, 1%, 0207 |
| 0 | R 9 | 57.11.3333 | 33k | MF, 1%, 0207 |
| 0 | R 10 | 57.11.3562 | 5k6 | MF, 1%, 0207 |
| 0 | R 11 | 57.11.3562 | 5k6 | MF, 1%, 0207 |
| 0 | R 12 | 57.11.3151 | 150R | MF, 1%, 0207 |
| 0 | R 13 | 58.01.7102 | 1k0 | Cermet, 10% 0.25W |
| 0 | R 14 | 57.11.3472 | 4k7 | MF, 1%, 0207 |
| 0 | R 15 | 57.11.3103 | 10k | MF, 1%, 0207 |
| 0 | R 16 | 57.11.3103 | 10k | MF, 1%, 0207 |
| 0 | R 17 | 57.11.3221 | 220R | MF, 1%, 0207 |
| 0 | R 18 | 57.11.3333 | 33k | MF, 1%, 0207 |
| 0 | R 19 | 57.11.3471 | 470R | MF, 1%, 0207 |
| 0 | R 20 | 57.11.3471 | 470R | MF, 1%, 0207 |
| 0 | R 21 | 57.11.3682 | 6k8 | MF, 1%, 0207 |
| 0 | R 22 | 57.11.3332 | 3k3 | MF, 1%, 0207 |
| 0 | R 23 | 57.11.3332 | 3k3 | MF, 1%, 0207 |
| 0 | R 24 | 57.11.3153 | 15k | MF, 1%, 0207 |
| 0 | R 25 | 57.11.3472 | 4k7 | MF, 1%, 0207 |
| 0 | R 26 | 58.01.8203 | 20k | Cermet, 10%, 0.5W, horizontal |
| 0 | R 27 | 57.11.3822 | 8k2 | MF, 1%, 0207 |
| 0 | R 28 | 57.11.3822 | 8k2 | MF, 1%, 0207 |
| 0 | R 29 | 58.01.8103 | 10k | Cermet, 10%, 0.5W, horizontal |
| 0 | R 30 | 57.11.3471 | 470R | MF, 1%, 0207 |
| 0 | R 31 | 57.11.3471 | 470R | MF, 1%, 0207 |
| 0 | R 32 | 57.11.3223 | 22k | MF, 1%, 0207 |
| 0 | R 33 | 57.11.3479 | 4R7 | MF, 1%, 0207 |
| 0 | R 34 | 57.99.0206 | 50R | PTC, 25V, 0.5W |
| 0 | R 35 | 57.99.0206 | 50R | PTC, 25V, 0.5W |
| 0 | T 1 | 1.022.218.00 | 1 : 1 | EINGANGSTRAFO 1 : 1 |
| 0 | T 2 | 1.022.218.00 | 1 : 1 | EINGANGSTRAFO 1 : 1 |
| 0 | W 1 | 1.010.324.64 | RM10.2 | U shaped wire 0.6mm |
| 0 | W 2 | 1.010.324.64 | RM10.2 | U shaped wire 0.6mm |
| 0 | XIC 1 | 53.03.0166 | 8p | DIL-socket 0.3" |
| 0 | XIC 2 | 53.03.0166 | 8p | DIL-socket 0.3" |

| Idx. Pos. | Part No. | Qty. | Type/Val. | Description |
|-----------|----------|------|-----------|-------------|
|-----------|----------|------|-----------|-------------|

End of List

Comments:

Correlator 30 LED PCB 1.913.095.00 (0)



| | | | | | |
|---------|------------|-----|---------|------|-------|
| Edition | 05.12.2001 | ZT | ML | HW | Ⓢ |
| Number | | | | | |
| Date | | Vis | Checked | Seen | Index |
| Bozum | | itz | Sign. | Gas. | |
| Page: | 1 / 1 | | | | |
| Seite: | | | | | |

| | | | | | |
|-----------------------------|------------------------------|------------------------|---|--------------------|--------------|
| STUDER REGENSDORF | Bestell-Nr.: Bezeichnung: | CORRELATOR 30 LED, ESE | Z | Number: Number: | 1.913.095.00 |
|-----------------------------|------------------------------|------------------------|---|--------------------|--------------|

Correlator 30 LED PCB 1.913.095.00 (0)

| Idx. Pos. | Part No. | Qty. | Type/Val. | Description |
|-----------|--------------|-------|-----------|--------------------------------|
| 0 C 1 | 59.60.3337 | 1 pce | 100n | CER 50V, 10%, X7R, 0805 |
| 0 C 2 | 59.60.3337 | 1 pce | 100n | CER 50V, 10%, X7R, 0805 |
| 0 C 7 | 59.60.3337 | 1 pce | 100n | CER 50V, 10%, X7R, 0805 |
| 0 C 10 | 59.60.3337 | 1 pce | 100n | CER 50V, 10%, X7R, 0805 |
| 0 C 11 | 59.60.3337 | 1 pce | 100n | CER 50V, 10%, X7R, 0805 |
| 0 C 13 | 59.60.2241 | 1 pce | 47p | CER 50V, 5%, COG, 0603 |
| 0 C 14 | 59.60.3337 | 1 pce | 100n | CER 50V, 10%, X7R, 0805 |
| 0 C 15 | 59.60.3337 | 1 pce | 100n | CER 50V, 10%, X7R, 0805 |
| 0 C 19 | 59.68.0073 | 1 pce | 220u | EL 16V, 8.0*10.7 |
| 0 C 22 | 59.68.0073 | 1 pce | 220u | EL 16V, 8.0*10.7 |
| 0 C 25 | 59.60.2373 | 1 pce | 1r0 | CER 50V, 5%, COG, 0805 |
| 0 C 26 | 59.60.3337 | 1 pce | 100n | CER 50V, 10%, X7R, 0805 |
| 0 C 27 | 59.60.3337 | 1 pce | 100n | CER 50V, 10%, X7R, 0805 |
| 0 C 30 | 59.60.3337 | 1 pce | 100n | CER 50V, 10%, X7R, 0805 |
| 0 C 32 | 59.60.3337 | 1 pce | 100n | CER 50V, 10%, X7R, 0805 |
| 0 C 33 | 59.60.3337 | 1 pce | 100n | CER 50V, 10%, X7R, 0805 |
| 0 C 42 | 59.60.3337 | 1 pce | 100n | CER 50V, 10%, X7R, 0805 |
| 0 C 43 | 59.60.3337 | 1 pce | 100n | CER 50V, 10%, X7R, 0805 |
| 0 DL 1 | 50.04.2150 | 1 pce | MV57164 | 10*LED-Bargraf rot diffus |
| 0 DL 2 | 1.913.109.01 | 1 pce | | 5 LED DISPLAY RED |
| 0 DL 3 | 50.04.2161 | 1 pce | GRN | DLZ MV 54 164,LTA1000G 10*D GN |
| 0 DL 4 | 1.913.109.02 | 1 pce | | 5 LED DISPLAY GREEN |
| 0 IC 1 | 50.11.0119 | 1 pce | LM3914 | IC LM 3914 N, |
| 0 IC 2 | 50.11.0119 | 1 pce | LM3914 | IC LM 3914 N, |
| 0 IC 3 | 50.11.0119 | 1 pce | LM3914 | IC LM 3914 N, |
| 0 IC 6 | 50.61.0207 | 1 pce | LF353 | Dual Op-Amp JFET SO 8 |
| 0 IC 7 | 50.61.0207 | 1 pce | LF353 | Dual Op-Amp JFET SO 8 |
| 0 IC 9 | 50.61.0207 | 1 pce | LF353 | Dual Op-Amp JFET SO 8 |
| 0 MP 1 | 1.913.293.11 | 1 pce | | VU/PPM/GRM METER PCB |
| 0 MP 2 | 1.913.109.04 | 1 pce | | STUDER-NR.-ETIKETTE 10 * 20 |
| 0 MP 3 | 43.01.0108 | 1 pce | Label | ESE-Warnschild |
| 0 MP 4 | 1.913.109.03 | 4 pcs | | DISPLAY UNTERLAGE |
| 0 MP 5 | 1.010.057.22 | 1 pce | M3*7.4 | Nietmutter sw 6 |
| 0 MP 6 | 1.010.057.22 | 1 pce | M3*7.4 | Nietmutter sw 6 |
| 0 P 101 | 54.11.0125 | 1p | | Pin, 1reihig, winkel |
| 0 P 102 | 54.11.0125 | 1p | | Pin, 1reihig, winkel |
| 0 P 103 | 54.11.0125 | 1p | | Pin, 1reihig, winkel |
| 0 P 104 | 54.11.0125 | 1p | | Pin, 1reihig, winkel |
| 0 P 105 | 54.11.0125 | 1p | | Pin, 1reihig, winkel |
| 0 P 106 | 54.11.0125 | 1p | | Pin, 1reihig, winkel |
| 0 P 107 | 54.11.0125 | 1p | | Pin, 1reihig, winkel |
| 0 P 108 | 54.11.0125 | 1p | | Pin, 1reihig, winkel |
| 0 P 109 | 54.11.0125 | 1p | | Pin, 1reihig, winkel |
| 0 P 110 | 54.11.0125 | 1p | | Pin, 1reihig, winkel |
| 0 P 111 | 54.11.0125 | 1p | | Pin, 1reihig, winkel |
| 0 P 112 | 54.11.0125 | 1p | | Pin, 1reihig, winkel |
| 0 P 113 | 54.11.0125 | 1p | | Pin, 1reihig, winkel |
| 0 P 114 | 54.11.0125 | 1p | | Pin, 1reihig, winkel |
| 0 P 115 | 54.11.0125 | 1p | | Pin, 1reihig, winkel |
| 0 P 116 | 54.11.0125 | 1p | | Pin, 1reihig, winkel |
| 0 P 117 | 54.11.0125 | 1p | | Pin, 1reihig, winkel |
| 0 P 118 | 54.11.0125 | 1p | | Pin, 1reihig, winkel |
| 0 P 119 | 54.11.0125 | 1p | | Pin, 1reihig, winkel |
| 0 P 120 | 54.11.0125 | 1p | | Pin, 1reihig, winkel |
| 0 P 121 | 54.11.0125 | 1p | | Pin, 1reihig, winkel |
| 0 P 122 | 54.11.0125 | 1p | | Pin, 1reihig, winkel |
| 0 P 123 | 54.11.0125 | 1p | | Pin, 1reihig, winkel |
| 0 P 124 | 54.11.0125 | 1p | | Pin, 1reihig, winkel |
| 0 P 125 | 54.11.0125 | 1p | | Pin, 1reihig, winkel |
| 0 P 126 | 54.11.0125 | 1p | | Pin, 1reihig, winkel |
| 0 P 127 | 54.11.0125 | 1p | | Pin, 1reihig, winkel |
| 0 P 128 | 54.11.0125 | 1p | | Pin, 1reihig, winkel |
| 0 P 129 | 54.11.0125 | 1p | | Pin, 1reihig, winkel |
| 0 P 130 | 54.11.0125 | 1p | | Pin, 1reihig, winkel |
| 0 P 131 | 54.11.0125 | 1p | | Pin, 1reihig, winkel |
| 0 P 132 | 54.11.0125 | 1p | | Pin, 1reihig, winkel |
| 0 P 133 | 54.11.0125 | 1p | | Pin, 1reihig, winkel |
| 0 P 134 | 54.11.0125 | 1p | | Pin, 1reihig, winkel |
| 0 P 135 | 54.11.0125 | 1p | | Pin, 1reihig, winkel |
| 0 P 136 | 54.11.0125 | 1p | | Pin, 1reihig, winkel |
| 0 R 1 | 57.60.1222 | 1 pce | 2k2 | MF, 1%, 0204, E24 |
| 0 R 2 | 57.60.1223 | 1 pce | 22k | MF, 1%, 0204, E24 |
| 0 R 4 | 57.60.1000 | 1 pce | 0R0 | MF, 0204 |
| 0 R 5 | 57.60.1222 | 1 pce | 2k2 | MF, 1%, 0204, E24 |
| 0 R 6 | 57.60.1222 | 1 pce | 2k2 | MF, 1%, 0204, E24 |
| 0 R 7 | 57.60.1223 | 1 pce | 22k | MF, 1%, 0204, E24 |
| 0 R 9 | 57.60.1000 | 1 pce | 0R0 | MF, 0204 |
| 0 R 11 | 57.60.1000 | 1 pce | 0R0 | MF, 0204 |
| 0 R 18 | 57.60.1682 | 1 pce | 6k8 | MF, 1%, 0204, E24 |
| 0 R 19 | 57.60.1682 | 1 pce | 6k8 | MF, 1%, 0204, E24 |
| 0 R 20 | 57.60.1330 | 1 pce | 33R | MF, 1%, 0204, E24 |
| 0 R 21 | 57.60.1122 | 1 pce | 1k2 | MF, 1%, 0204, E24 |
| 0 R 22 | 57.60.1102 | 1 pce | 1k0 | MF, 1%, 0204, E24 |
| 0 R 23 | 57.60.1512 | 1 pce | 5k1 | MF, 1%, 0204, E24 |
| 0 R 24 | 57.60.1512 | 1 pce | 5k1 | MF, 1%, 0204, E24 |
| 0 R 50 | 57.92.7012 | 1 pce | 0.3A | PTC 60V |
| 0 R 53 | 57.60.1223 | 1 pce | 22k | MF, 1%, 0204, E24 |
| 0 R 61 | 57.60.1682 | 1 pce | 6k8 | MF, 1%, 0204, E24 |
| 0 R 62 | 57.60.1223 | 1 pce | 22k | MF, 1%, 0204, E24 |
| 0 R 63 | 57.60.1222 | 1 pce | 2k2 | MF, 1%, 0204, E24 |
| 0 R 64 | 57.60.1223 | 1 pce | 22k | MF, 1%, 0204, E24 |
| 0 R 65 | 57.60.1105 | 1 pce | 1M0 | MF, 1%, 0204, E24 |
| 0 R 66 | 57.60.1103 | 1 pce | 10k | MF, 1%, 0204, E24 |
| 0 R 67 | 57.60.1103 | 1 pce | 10k | MF, 1%, 0204, E24 |
| 0 R 68 | 57.60.1000 | 1 pce | 0R0 | MF, 0204 |
| 0 R 69 | 57.60.1000 | 1 pce | 0R0 | MF, 0204 |
| 0 RA 5 | 58.01.9502 | 1 pce | 5k0 | Cermet, 10%, 0.5W, vertical |
| 0 RA 6 | 58.01.9103 | 1 pce | 10k | Cermet, 10%, 0.5W, vertical |
| 0 TP 1 | 54.02.0471 | 1 pce | | Stift d 1.5 * 5.5 lötl |
| 0 TP 2 | 54.02.0471 | 1 pce | | Stift d 1.5 * 5.5 lötl |
| 0 TP 3 | 54.02.0471 | 1 pce | | Stift d 1.5 * 5.5 lötl |
| 0 TP 4 | 54.02.0471 | 1 pce | | Stift d 1.5 * 5.5 lötl |

| Idx. Pos. | Part No. | Qty. | Type/Val. | Description |
|-----------|------------|-------|-----------|------------------------|
| 0 TP 8 | 54.02.0471 | 1 pce | | Stift d 1.5 * 5.5 lötl |
| 0 TP 9 | 54.02.0471 | 1 pce | | Stift d 1.5 * 5.5 lötl |
| 0 TP 10 | 54.02.0471 | 1 pce | | Stift d 1.5 * 5.5 lötl |
| 0 TP 11 | 54.02.0471 | 1 pce | | Stift d 1.5 * 5.5 lötl |

End of List

Comments: