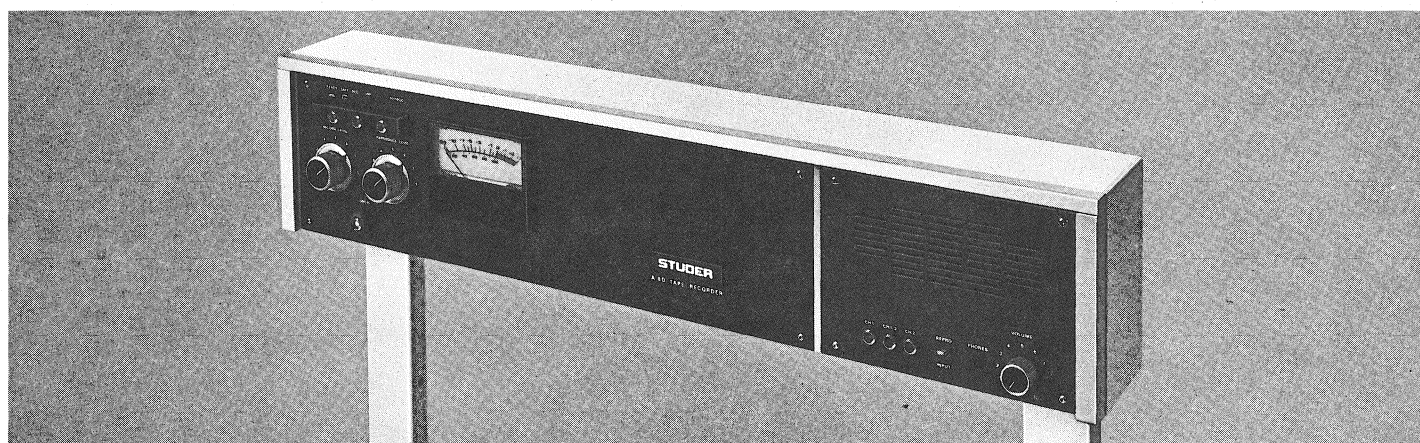
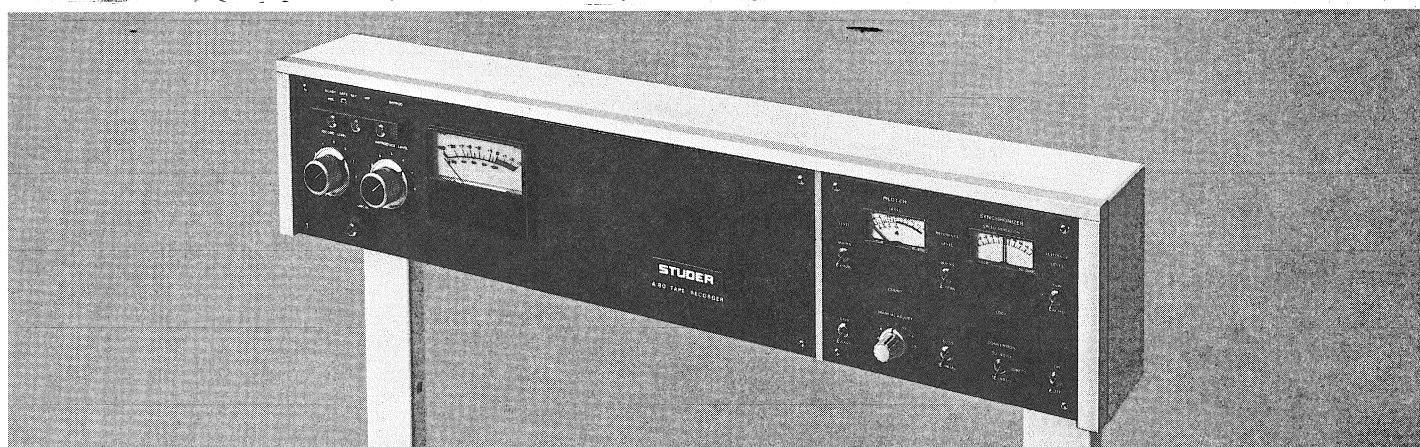
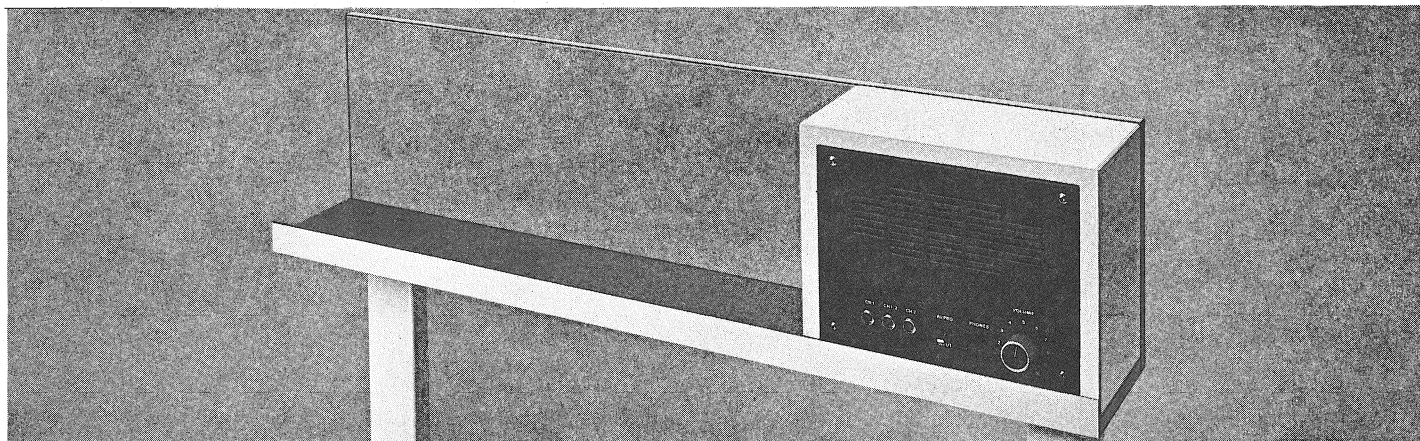


STUDER

A80 RC PANELS

SCHALTUNGSSAMMLUNG
SET OF SCHEMATICS



CONTENTS

LAYOUT OF OPTION CONNECTORS	
LIST OF WIRE HARNESS FOR A80 RC PANELS	
MONITOR PANEL	1.081.900
MONITOR PANEL AND AMPLIFIER	1.081.900/908
MONITOR PANEL BOARD	1.081.900-81
COVER WITH MONITOR	1.081.920
MONITOR AMPLIFIER	1.081.908
VU PANEL MONO	1.081.901
VU PANEL 2 CH	1.081.902
VU-METER CONNECTOR BOARD	1.081.914
PILOT FOLLOW-UP PANEL	1.081.903
PILOT SYNCHRONIZER MK II	1.081.942
CONNECTORS TO VU PANEL A80 RC	
WIRE HARNESS TO VU PANEL 2 CH WITH MONITOR	1.081.910
WIRE HARNESS TO VU PANEL MONO WITH MONITOR	1.081.911
WIRE HARNESS TO VU AND MONITOR CONNECTOR	1.081.912
WIRE HARNESS TO PILOT FOLLOW-UP CONNECTOR	1.081.913-81
WIRE HARNESS TO MONITOR PANEL	1.081.916
WIRE HARNESS TO PILOT FOLLOW-UP PANEL	1.081.928
SUPPLEMENT CABLE TO PILOT FOLLOW-UP CONNECTOR	1.081.929
WIRE HARNESS TO VU PANEL MONO	1.081.930

Order Number: 23.333.1079

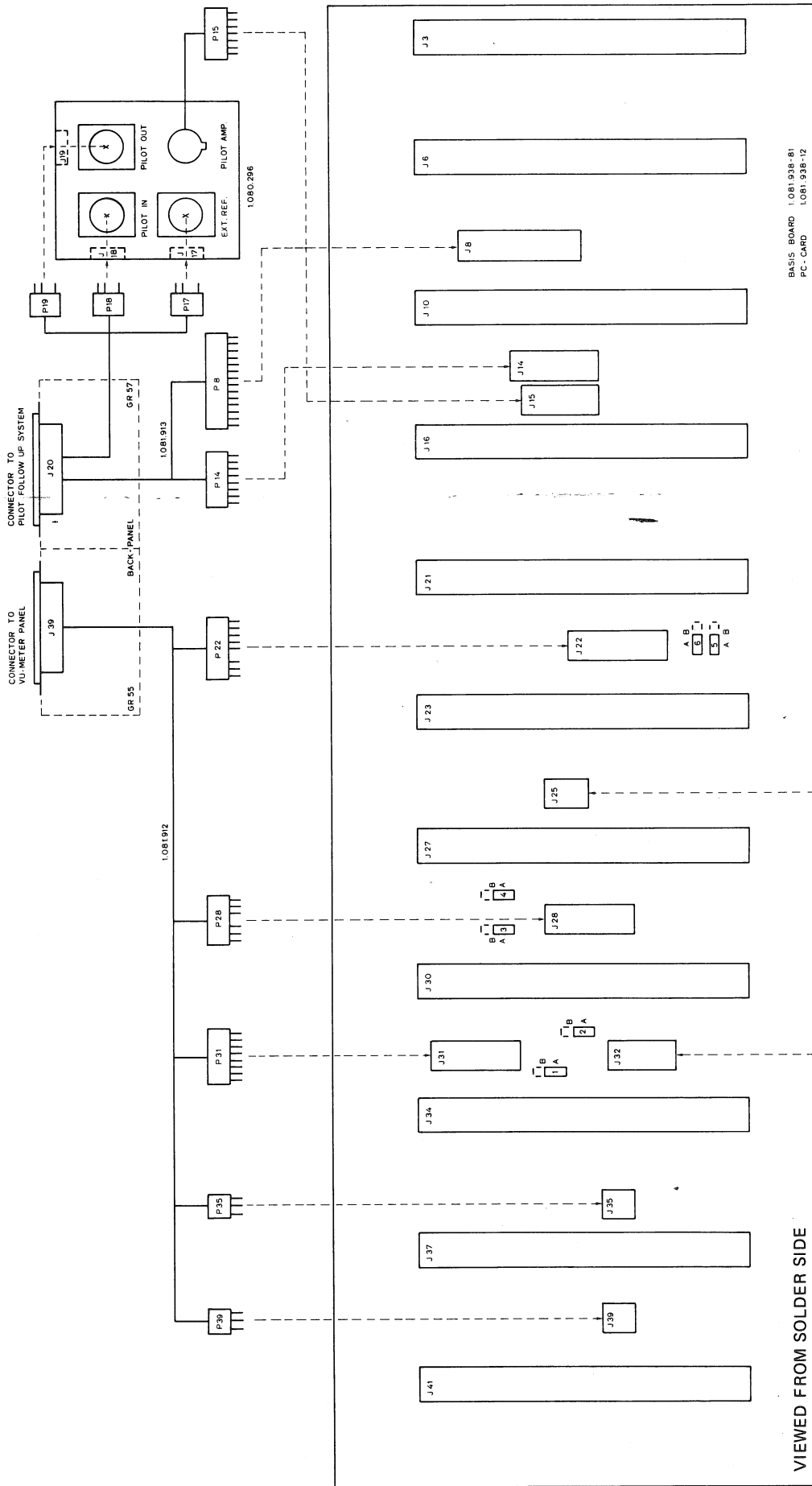
This set of schematics up-dates the Manual nr. 23.271.479
and additional description nr. 23.276.1179

Subject to change

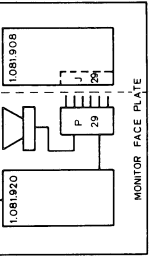
Printed in Switzerland by WILLI STUDER

Copyright by Willi Studer, CH-8105 Regensdorf-Zürich

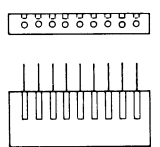
FOR PANEL VERSIONS AND WIRE HARNESES SEE NEXT PAGE

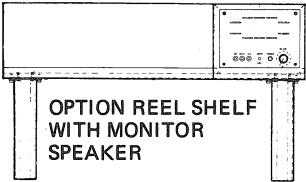
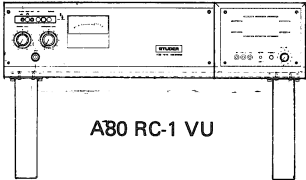
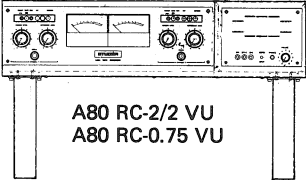
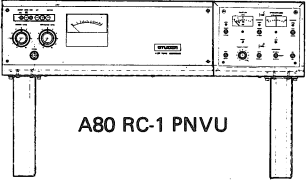
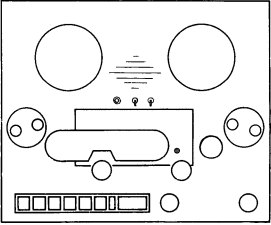


JUMPER POSITIONS	
SET JUMPER 1 ... 6 INTO POS. A	FOR NORMAL OPERATION
SET JUMPER 1 ... 4 INTO POS. B	FOR SIMULTANEOUS OPERATION WITH MONO-STEREO SWITCH 1.081.940 AND VU-PANEL.
SET JUMPER 5 + 6 INTO POS. B	FOR OPERATION OF SAFE/READY SWITCH ON VU-PANEL. ALSO FOR MONO-MACHINES

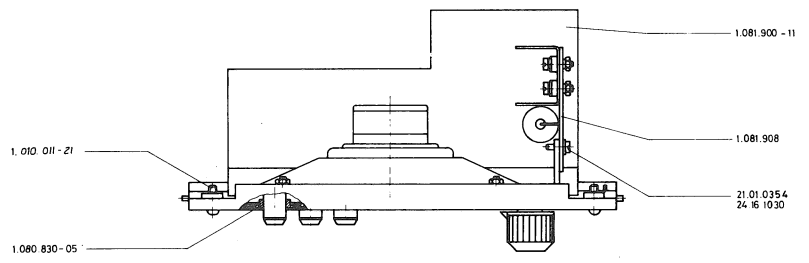
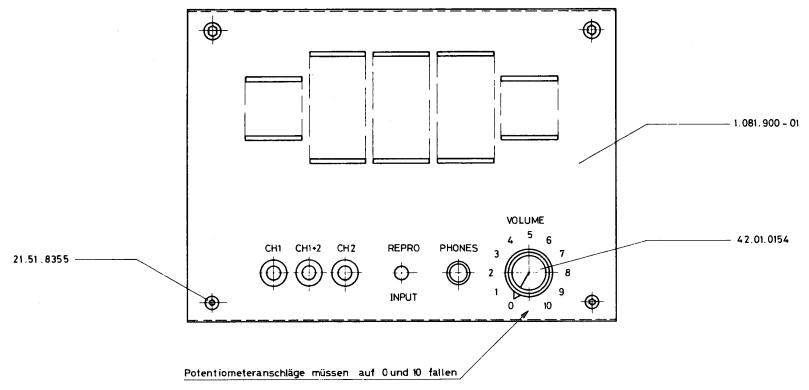


INSERT ALL PERIPHERAL PLUGS WITH SLOTTED SIDE TOWARDS RIGHT!

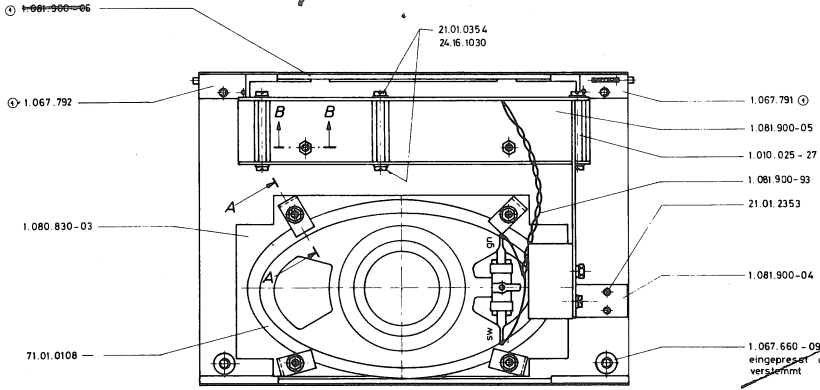


VERSIONS	COMPONENTS	WIRE HARNESS VU-PANEL-BACK PANEL	WIRE HARNESS BACK PANEL-BASIS BOARD
 <p>OPTION REEL SHELF WITH MONITOR SPEAKER</p>	<p>MONITOR PANEL 1.081.900</p>	1.081.916	1.081.912
 <p>A80 RC-1 VU</p>	<p>VU-PANEL MONO MONITOR PANEL 1.081.901 1.081.900</p>	1.081.911	1.081.912
 <p>A80 RC-2/2 VU A80 RC-0.75 VU</p>	<p>VU-PANEL STEREO MONITOR PANEL 1.081.902 1.081.900</p>	1.081.910	1.081.912
 <p>A80 RC-1 PNVU</p>	<p>VU-PANEL MONO PILOT SYNC PANEL 1.081.901 1.081.903</p>	1.081.930 1.081.928	1.081.912 1.081.913-81 or (1.081.913+1.081.929)
	<p>TAPE TRANSPORT COVER WITH MONITOR 1.081.920</p>		

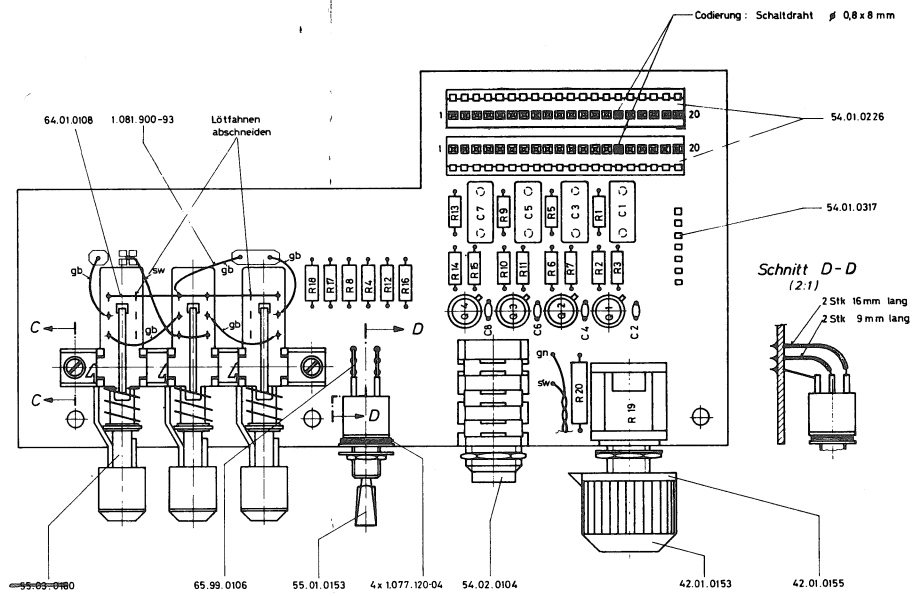
VU-Meter panel Aufbau : 1.038.480.00



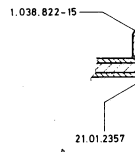
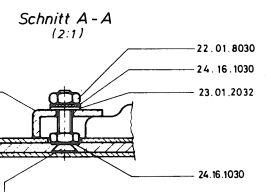
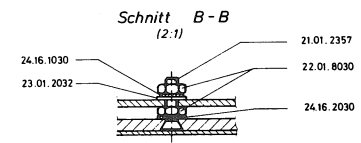
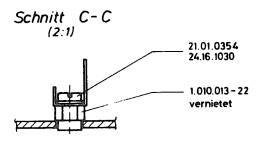
1.081.904.00 Frontplatte gezeichnet



entfällt mit
neuer Frontplatte gezeichnet
1.081.904.00



1.081.900-07
55.03.0160



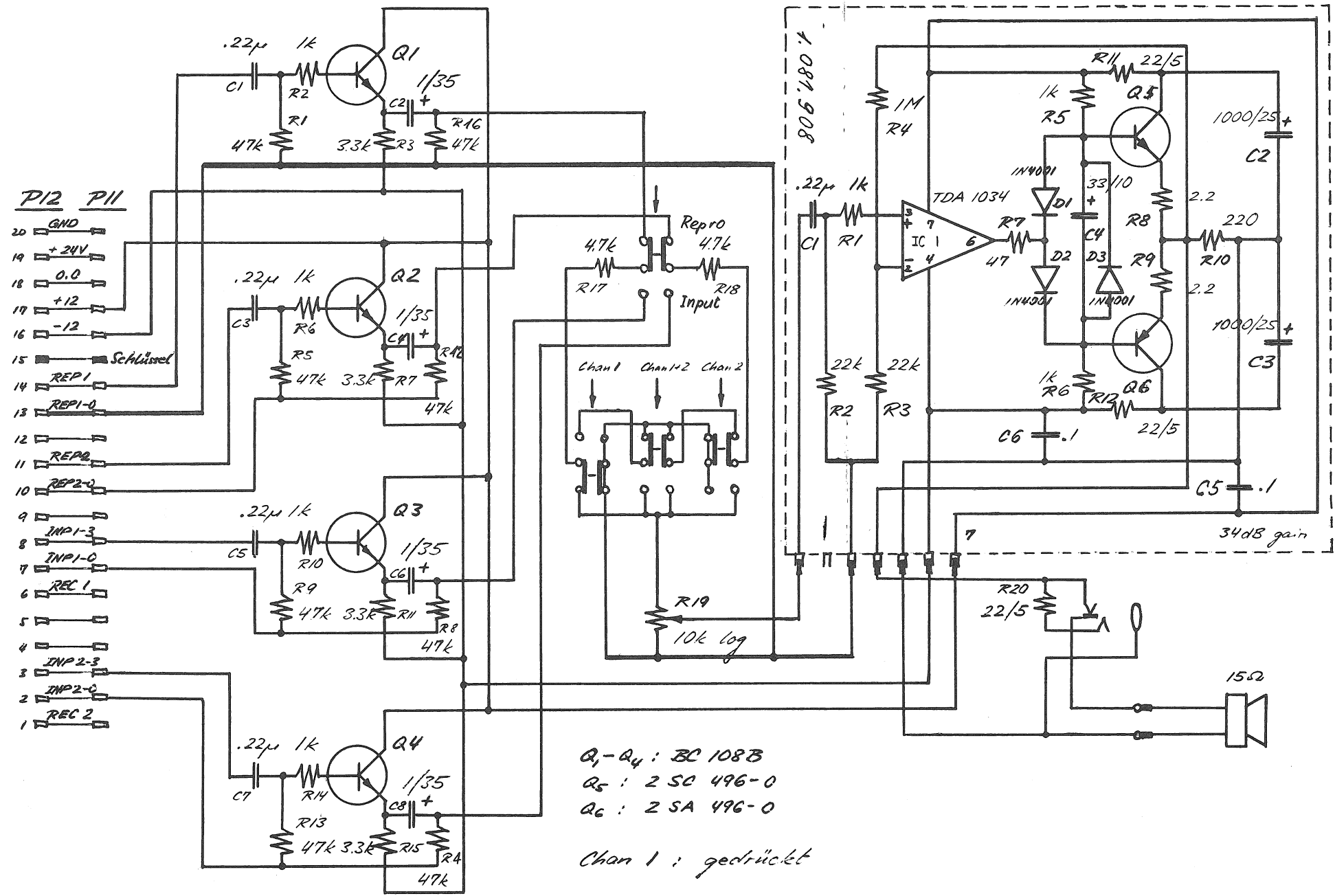
Ger.:
Dat.:

14. Jan. 1977

Bezeichnung:
Gerät.:

Monitor - Verstärker (909), Monitor - Verstärker (909/100)
B 67 & A 80 RC Nummer: 1.081.900 & 908

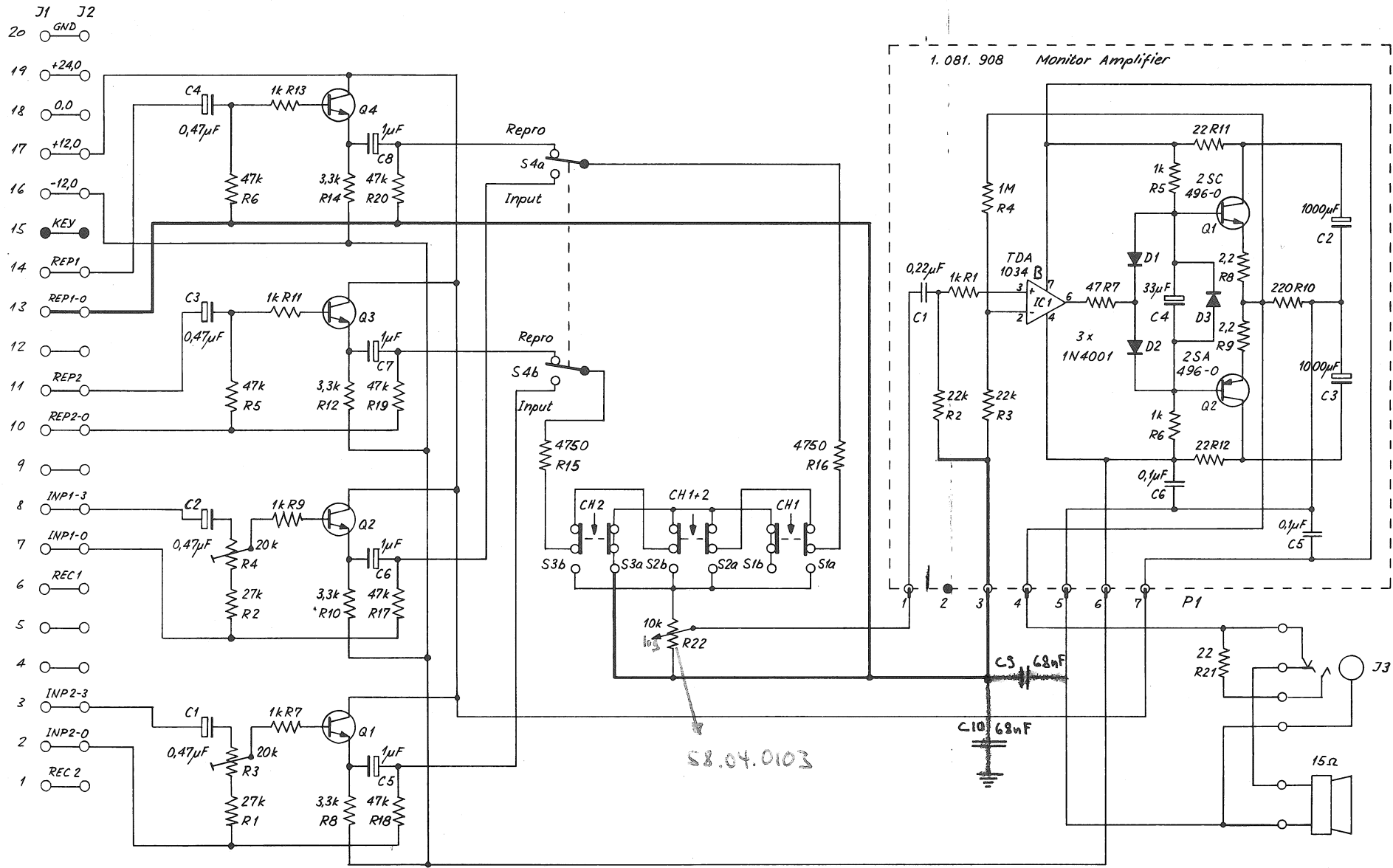
STUDER



Q₁-Q₄: BC 108 B
Q₅: 2 SC 496-0
Q₆: 2 SA 496-0

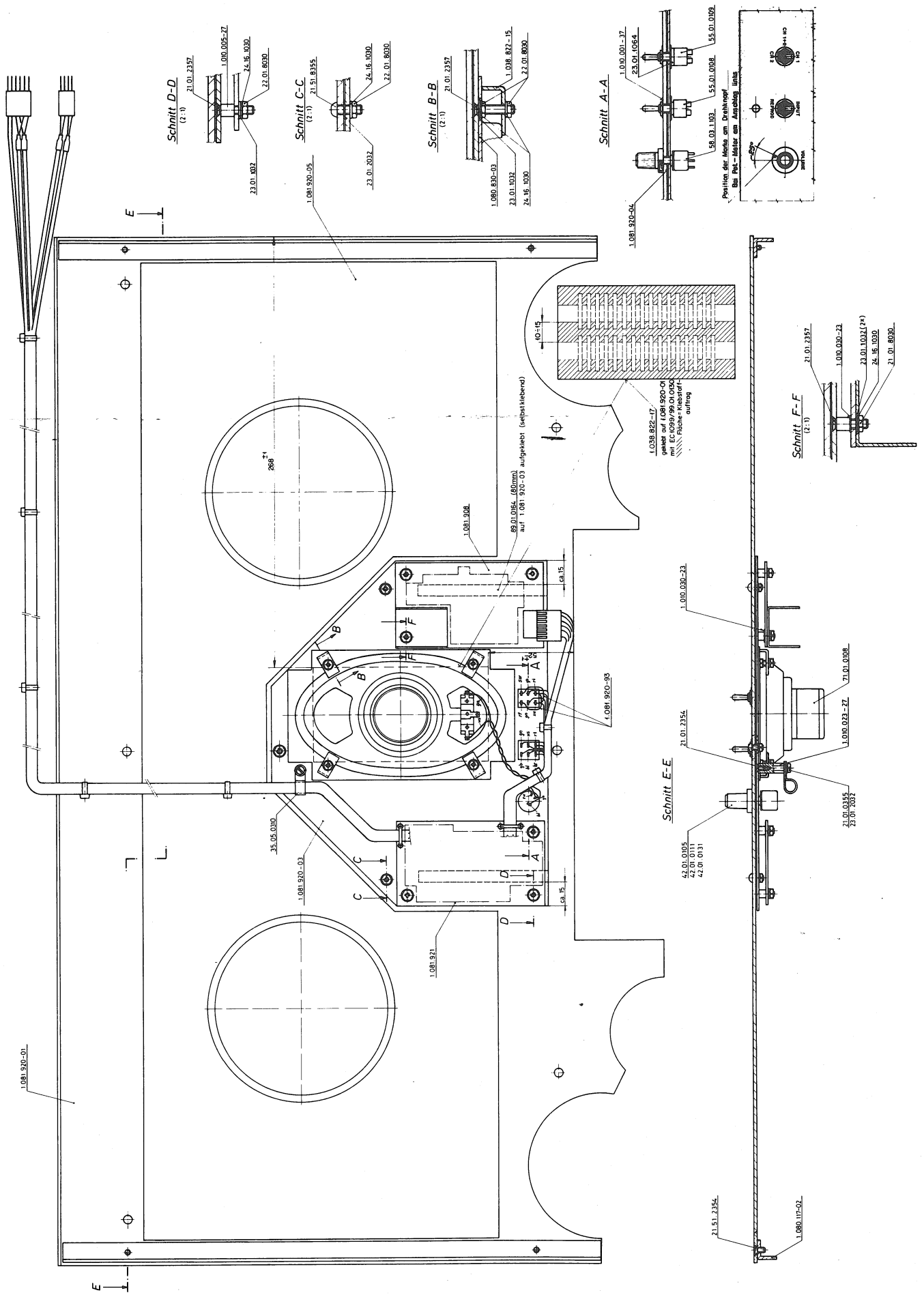
Chan 1: gedrückt

* With Monitor Amplifier 1.081.908



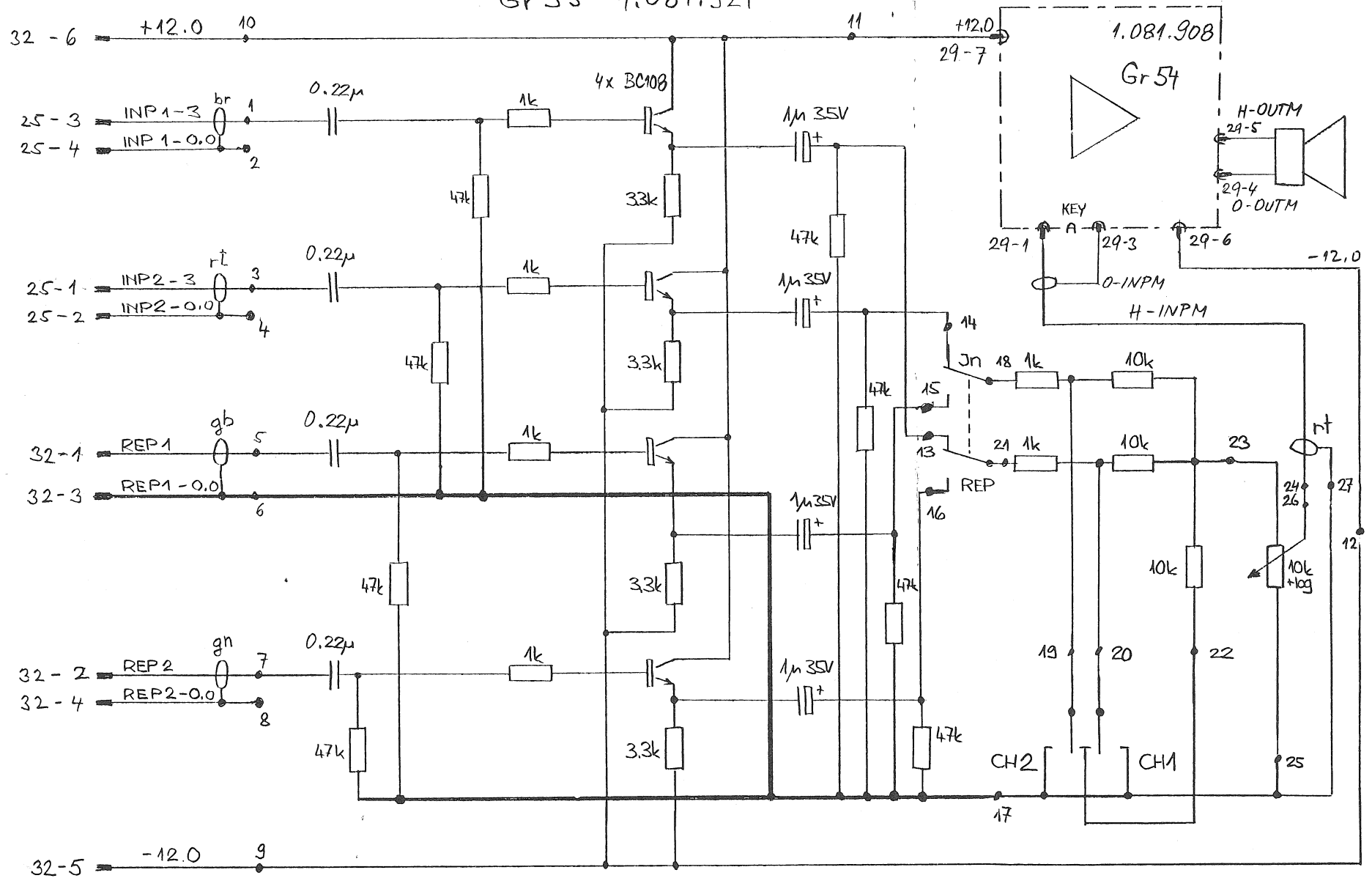
Verhindern Geräusche beim Drücken der Play-Taste

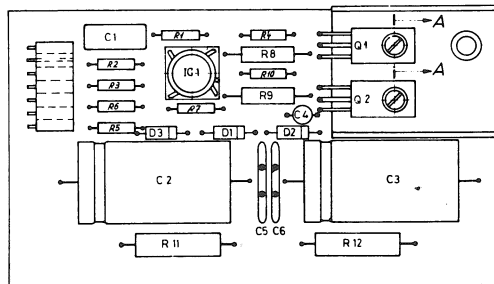
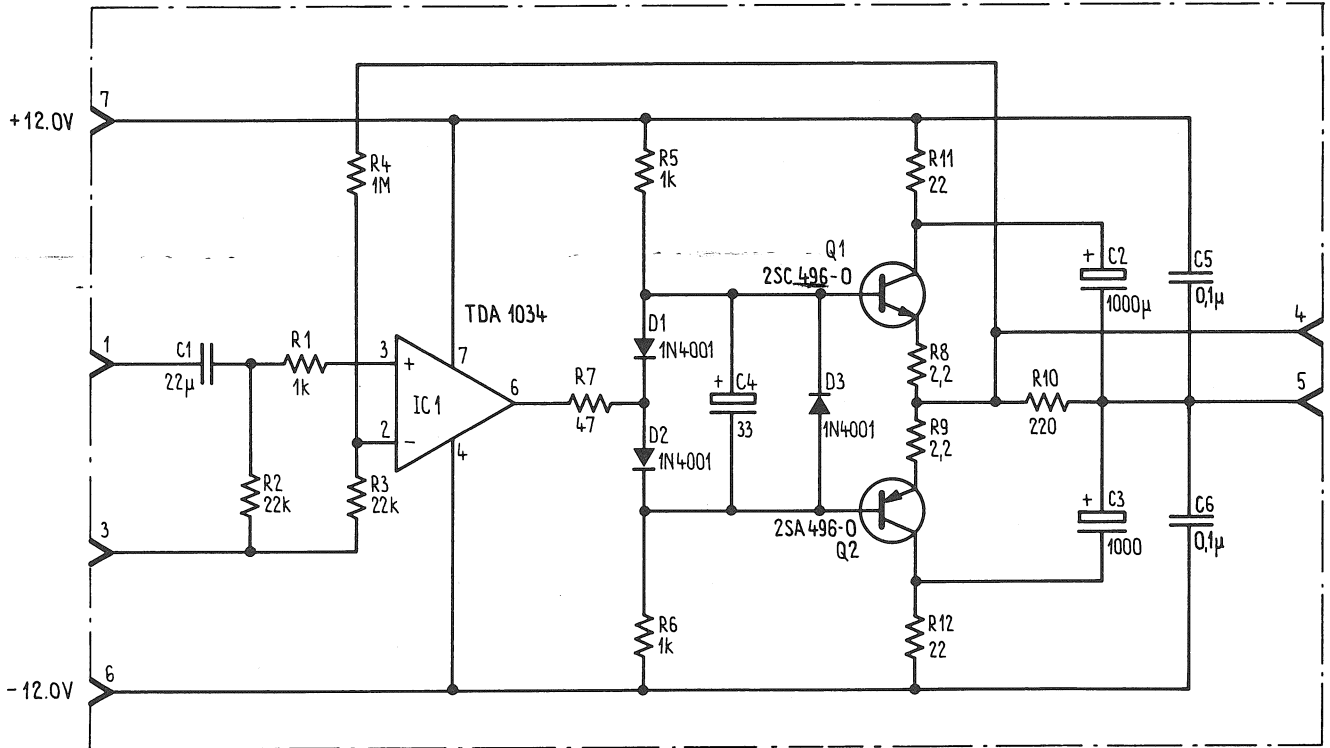
IC 1 TDA 1034 B 50.05.0243
IC Sockel 53.03.0166

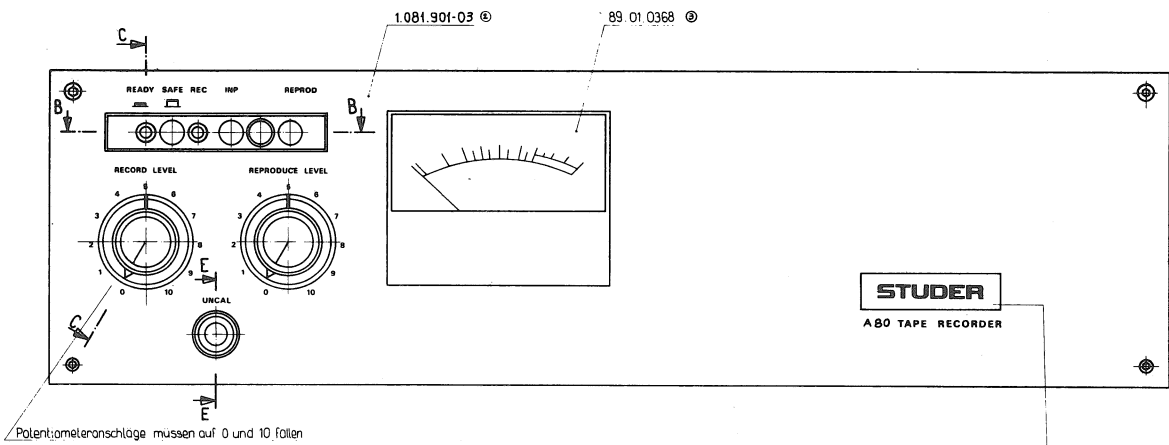


13.5.77	Skal.	A80RC
STUDER	COVER WITH MONITOR	
	1.081.920	PAGE 1 OF 1

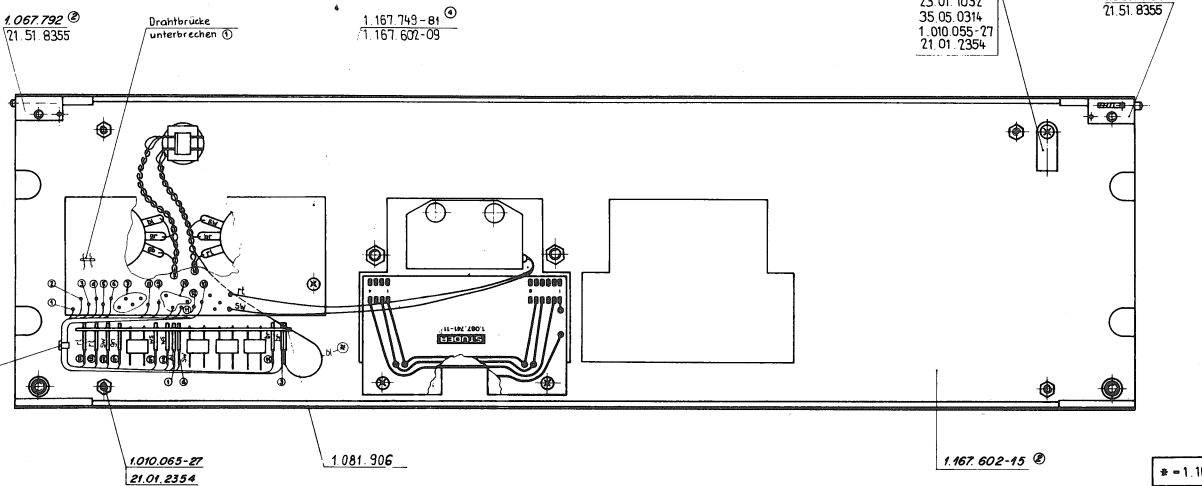
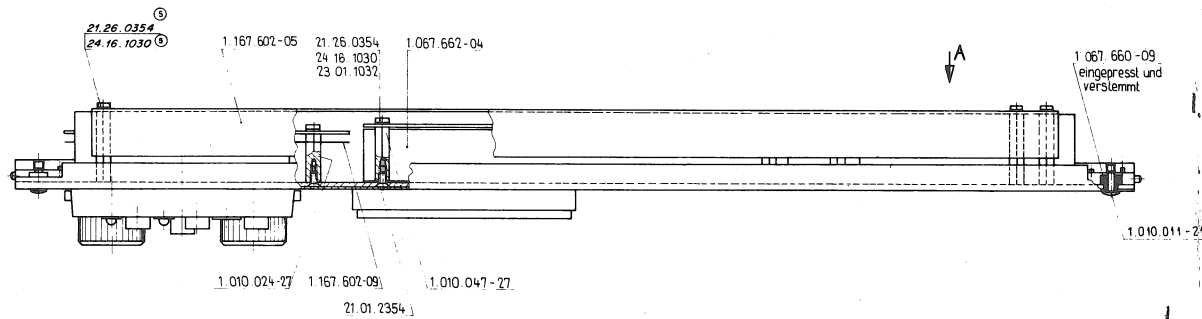
Gr 53 1.081.921



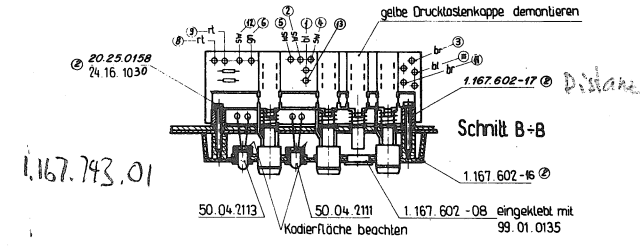
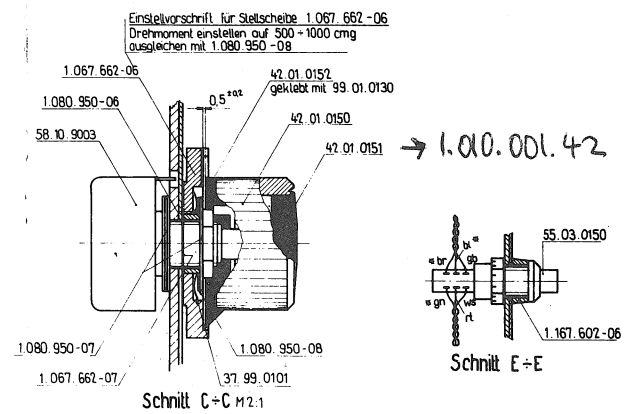




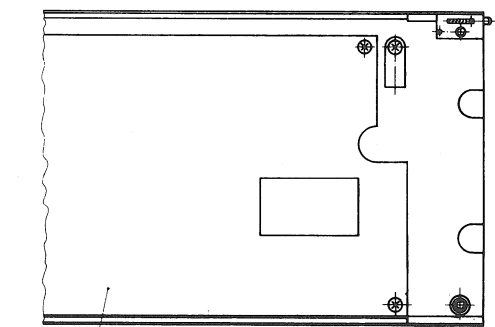
Patentmeteranschlüsse müssen auf 0 und 10 fallen



1.081.901



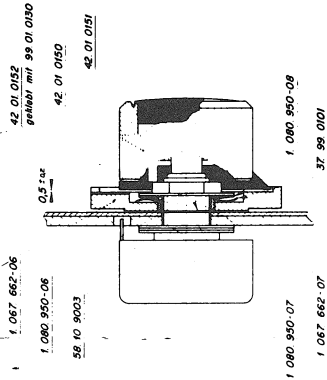
Tastenprint kompl. 1.081.906



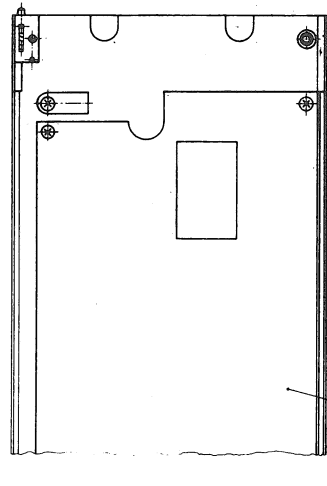
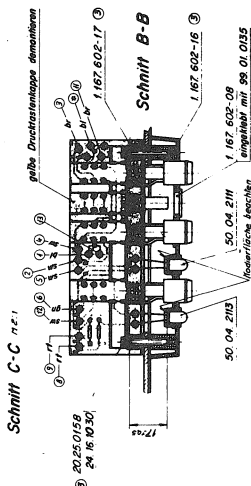
Ansicht A

* = 1.167.601-93

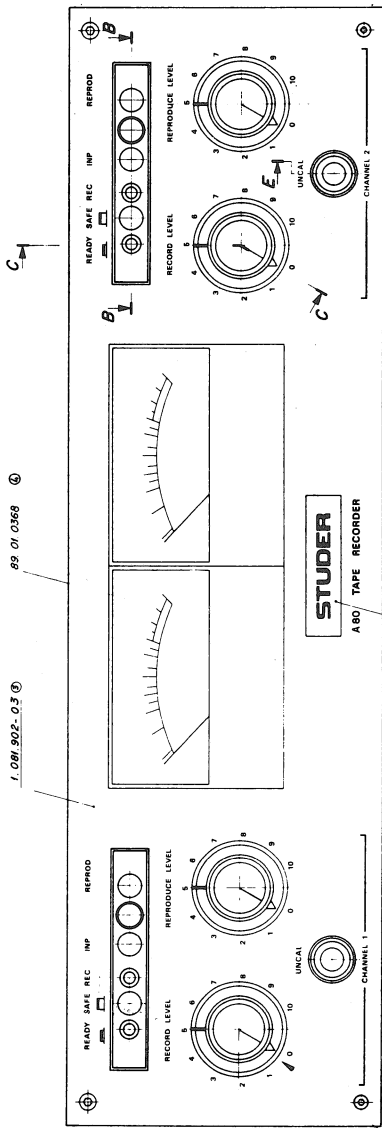
Einzelansicht für Strahlröhre 1.067.662-06
Drehmoment einstellen auf 500-1000 cmg
eingesetzt mit 1.080.950-06



Schnitt E-E

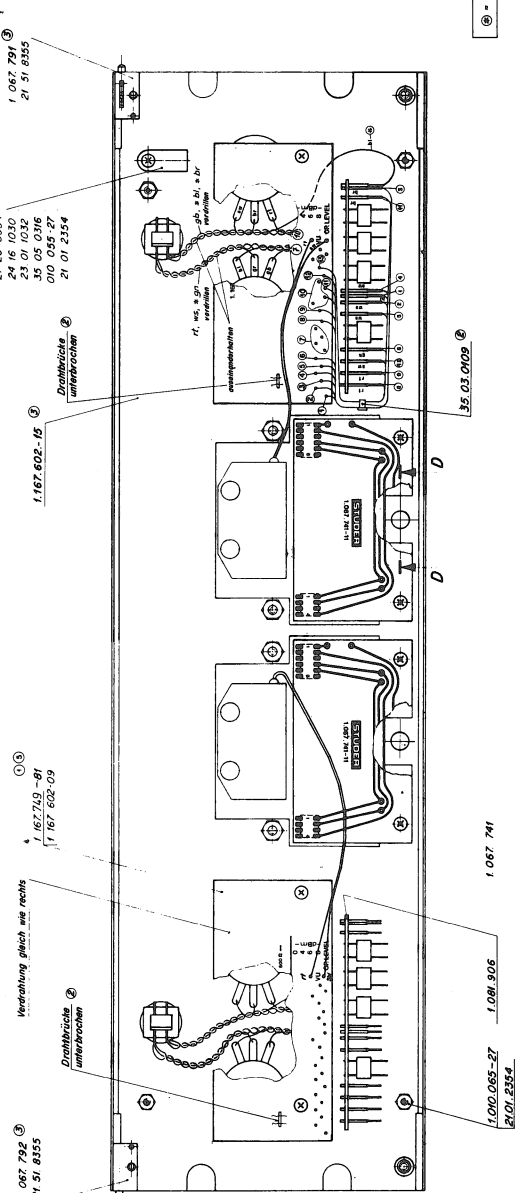
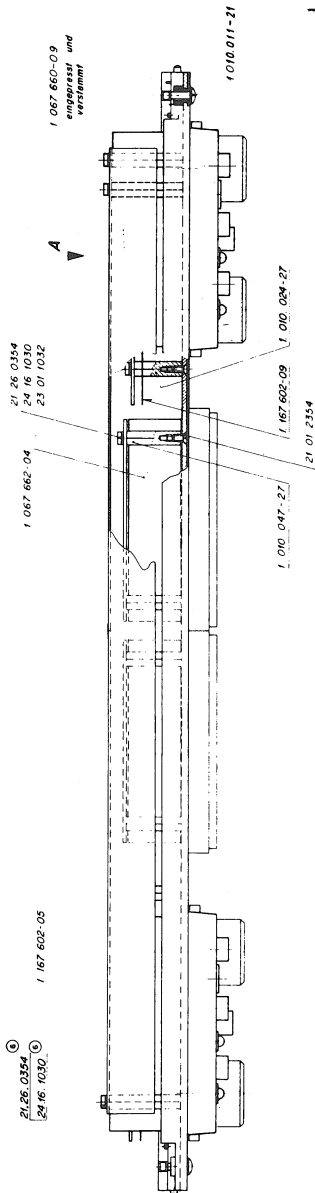


Ansicht A



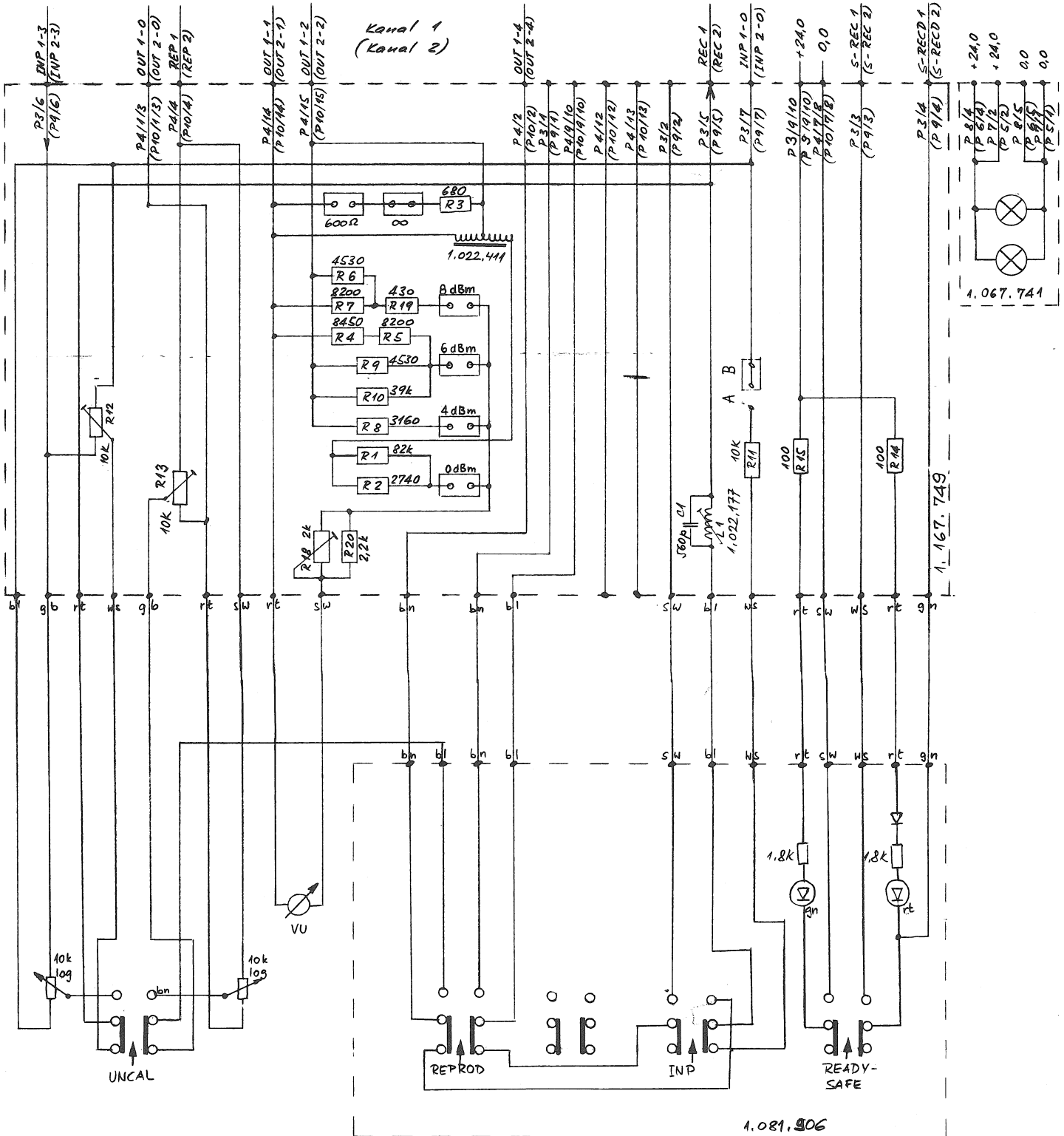
1.010.017-43
versteckt!

Potentiometeranschläge müssen auf 0 und 10 fallen



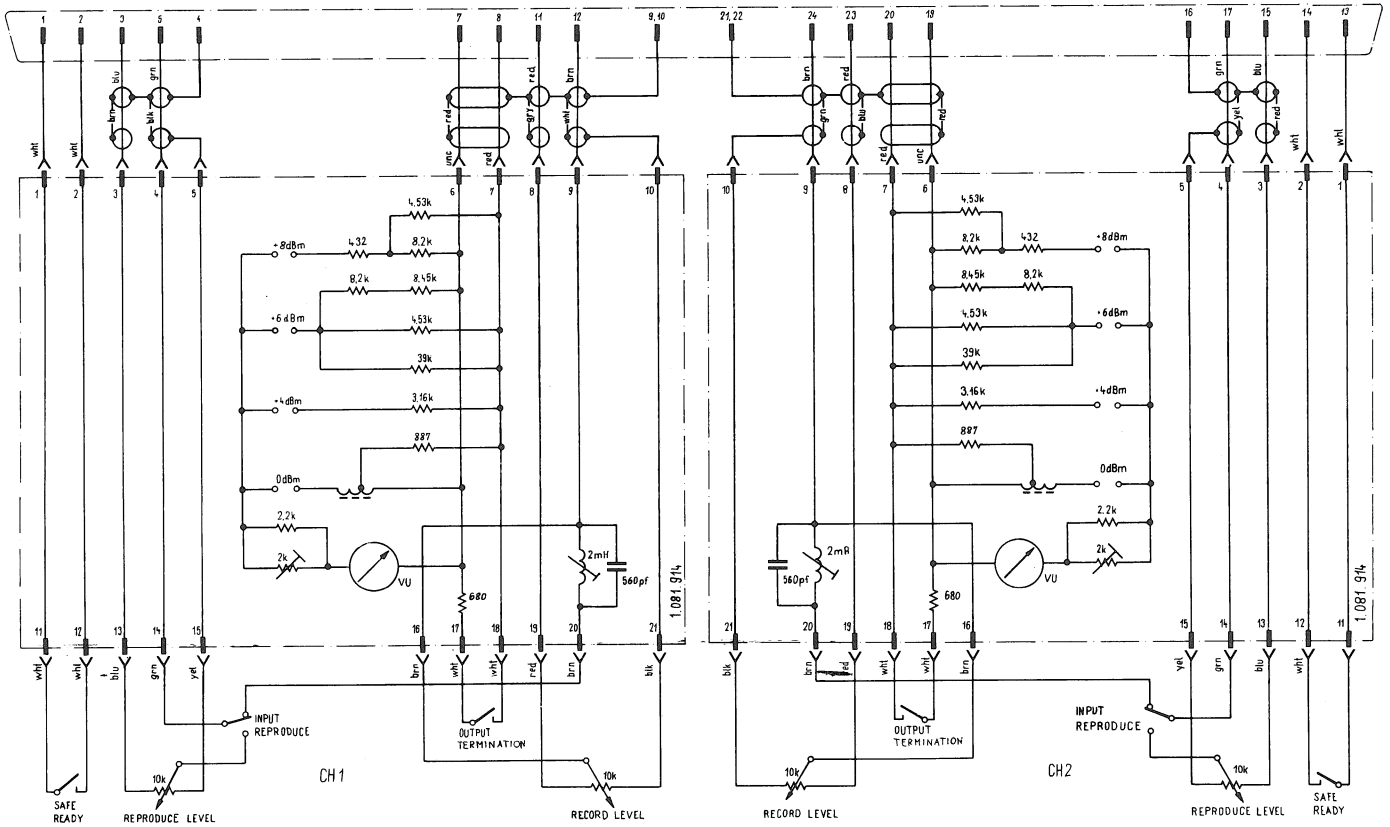
⊕ = 1.167.601-93

Kabel bund Mono Stereo
 1.081.911 1.081.910



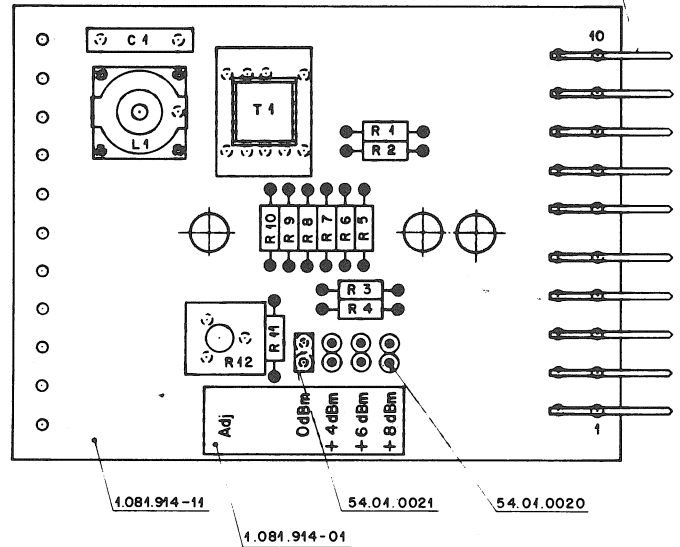
Gez.: Buchegger Bezeichnung: VU-Meter - Panel, Mono Stereo
 Dat.: 24. JAN. 1977 Gerät: A 80 RC Nummer: 1.081.901 1.081.902
24. JAN. 1977

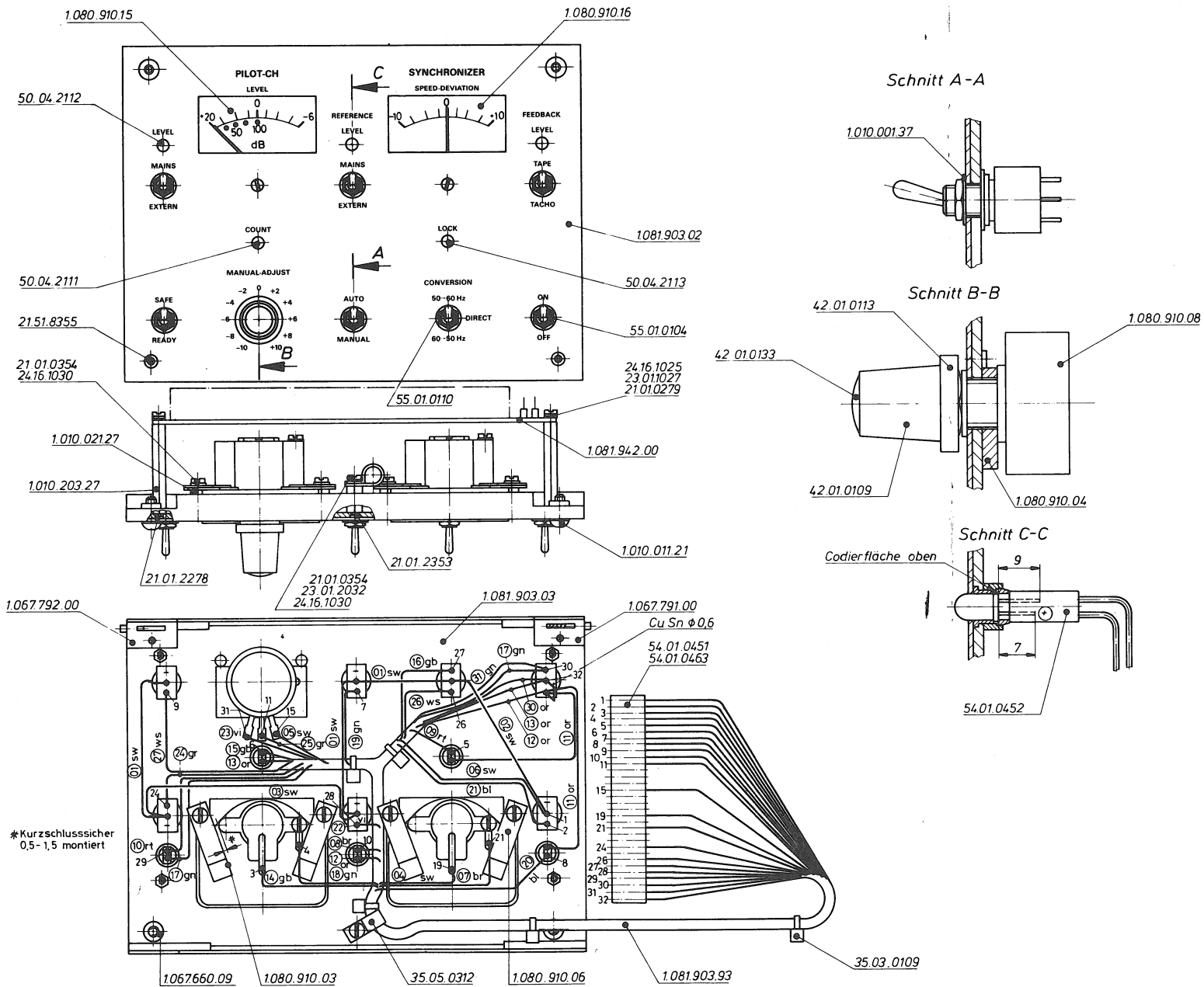
STUDER



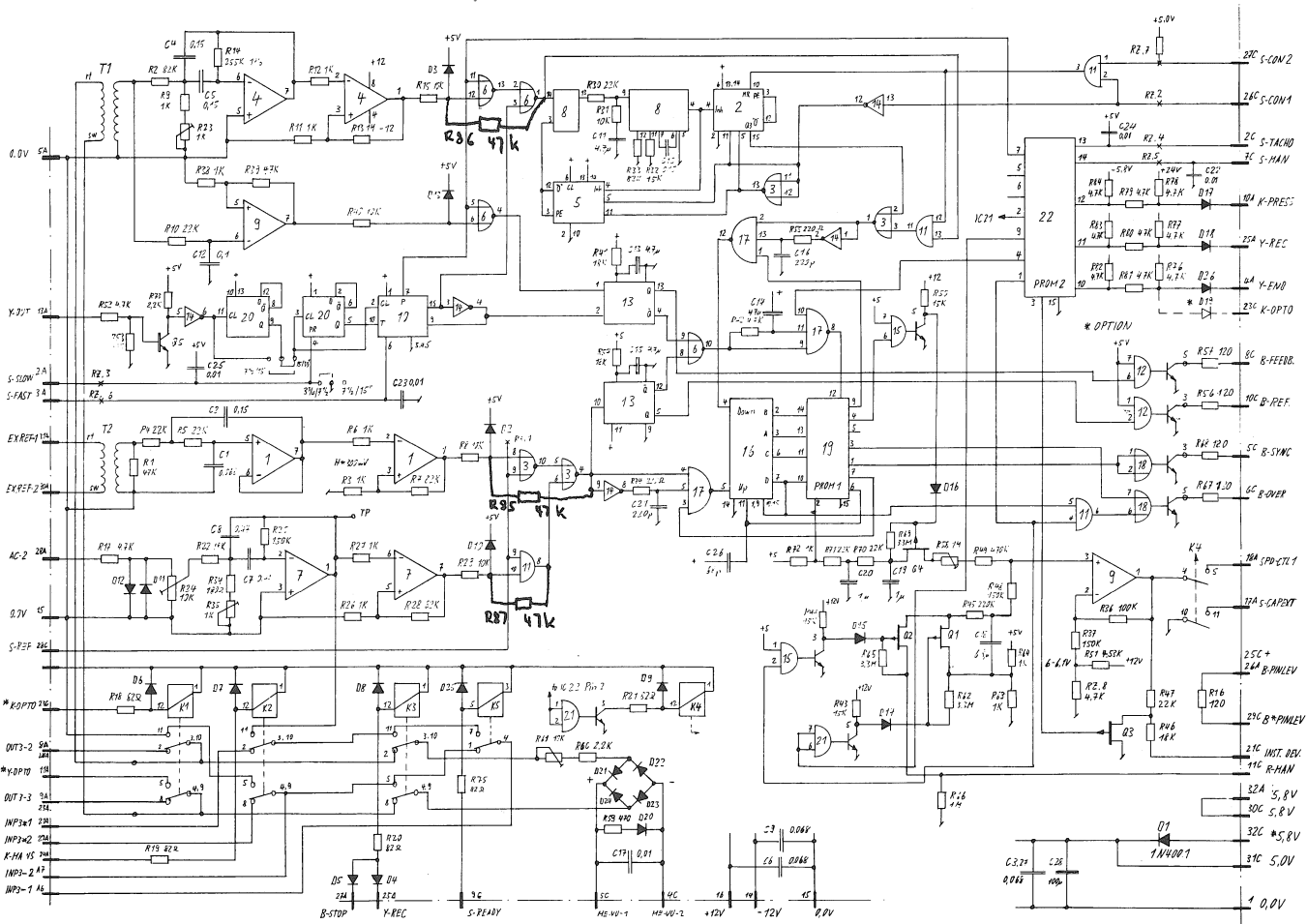
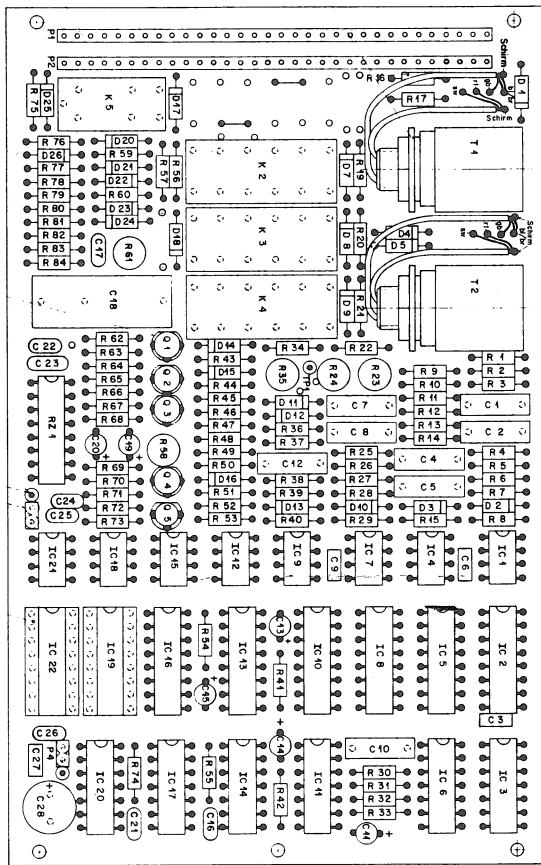
54.02.0328 (105tk.)

POS NO	PART NO	VALUE	SPECIFICATIONS	EQUIVALENT MFR
C1	59.11.6561	560 pF	5%	
L1	1.022.177.00	2 mH		ST
R1	57.11.4681	680 Ω	5%	0.25W
R2	57.39.8870	887	1%	
R3	57.39.4320	432	1%	
R4	57.11.4822	8.2 k	5%	
R5	57.11.4822	8.2 k	5%	
R6	57.39.4531	4.53 k	1%	
R7	57.39.8451	8.45 k	1%	
R8	57.39.4531	4.53 k	1%	
R9	57.11.4393	39 k	5%	
R10	57.39.3161	3.16 k	1%	
R11	57.11.4222	2.2 k	5%	
R12	58.01.8202	2.0 k	10%	0.5W
T1	1.022.411.00			ST





⑰ Pos. auf L-Liste 1.081.903.93



IND	POS NO	PART NO	VALUE	SPECIFICATIONS/EQUIVALENT			MFR
C 01	59.02.5683		0,068µF	5%		MPC	
C 02	59.02.2154		0,15 µF	5%		MPC	
C 03	59.99.0205		0,068µF			KER	
C 04	59.02.2154		0,15 µF	5%		MPC	
C 05	59.02.2154		0,15 µF	5%		MPC	
C 06	59.99.0205		0,068µF			KER	
C 07	59.02.0474		0,47 µF	5%		MPC	
C 08	59.02.0474		0,47 µF	5%		MPC	
C 09	59.99.0205		0,068µF			KER	
C 10	59.02.2154		0,15 µF	5%		MPC	
C 11	59.36.2479		4,7 µF	20%	10V	TA	
C 12	59.31.6104		0,1 µF	10%		MPETP	
C 13	59.36.2479		4,7 µF	20%	10V	TA	
C 14	59.36.2479		4,7 µF	20%	10V	TA	
C 15	59.36.2479		4,7 µF	20%	10V	TA	
C 16	59.34.4221		220 pF	10%		KER	
C 17	59.32.3103		0,01 µF			KER	
C 18	59.05.1685		6,8 µF	10%		MPC	
C 19	59.36.4109		1,0 µF	20%	35V	TA	
C 20	59.36.4109		1,0 µF	20%	35V	TA	
C 21	59.34.4221		220 pF	10%		KER	
C 22	59.32.3103		0,01 µF			KER	
C 23	59.32.3103		0,01 µF			KER	
C 24	59.32.3103		0,01 µF			KER	
C 25	59.32.3103		0,01 µF			KER	
C 26	59.34.4680		68 pF	10%		KER	
C 27	59.99.0205		0,068µF			KER	
C 28	59.22.3101		100 µF	50%	10V	EL	

IND	DATE	NAME			
④			MPC = Metalized Polycarb.		
③			KER = Ceramic		
②			TA = Tantalum		
①			MPETP= Met.Polyester Film		
○	8.11.78	Brodbeck/gv	EL = Electrolytic		
STUDER	PILOT SYNCHRONIZER MK II		1.081.942	PAGE 1 OF 7	

IND	POS NO	PART NO	VALUE	SPECIFICATIONS/EQUIVALENT			MFR
D 01	50.04.0122		1N4001				any
D 02	50.04.0125		1N4448				any
D 03	50.04.0125		1N4448				
D 04	50.04.0125		1N4448				
D 05	50.04.0125		1N4448				
D 06	—						
D 07	50.04.0125		1N4448				
D 08	50.04.0125		1N4448				
D 09	50.04.0125		1N4448				
D 10	50.04.0125		1N4448				
D 11	50.04.0125		1N4448				
D 12	50.04.0125		1N4448				
D 13	50.04.0125		1N4448				
D 14	50.04.0125		1N4448				
D 15	50.04.0125		1N4448				
D 16	50.04.0125		1N4448				
D 17	50.04.0125		1N4448				
D 18	50.04.0125		1N4448				
D 19	—						
D 20	50.04.0954		AAZ 18	Ge			S
D 21	50.04.0954		AAZ 18				
D 22	50.04.0954		AAZ 18				
D 23	50.04.0954		AAZ 18				
D 24	50.04.0954		AAZ 18				
D 25	50.04.0125		1N4448				any
D 26	50.04.0125		1N4448				

IND	DATE	NAME			
④			S = Siemens		
③					
②					
①					
○	8.11.78	Brodbeck/gv			
STUDER	PILOT SYNCHRONIZER MK II		1.081.942	PAGE 2 OF 7	

IND	POS NO	PART NO	VALUE	SPECIFICATIONS/EQUIVALENT			MFR
IC 01	50.05.0245		RC 4558				TI,R
IC 02	50.07.0526		MCL4526B	CMOS	4526B		M,F,NS
IC 03	50.06.0002		74 LS 02				any
IC 04	50.05.0245		RC 4558				TI,R
IC 05	50.05.0526		MCL4526B	CMOS	4526B		M,F,NS
IC 06	50.06.0002		74 LS 02				any
IC 07	50.05.0245		RC 4558				TI,R
IC 08	50.07.0046		MCL4046B	CMOS	4046B		M,F,NS
IC 09	50.09.0101		TL 072	BI-FET Op.Amp.	LF 353		TI,NS
IC 10	50.06.0163		74 LS 163				any
IC 11	50.06.0008		74 LS 08				
IC 12	50.05.0227		75462	NAND Driver			
IC 13	50.06.0123		74 LS 123				
IC 14	50.06.0004		74 LS 04				
IC 15	50.05.0227		75462	NAND Driver			
IC 16	50.06.0193		74 LS 193				
IC 17	50.06.0010		74 LS 10				
IC 18	50.05.0204		75464	NOR Driver			
IC 19	1.025.017.80		N82S123N	PROM 32 x 8	only		Studer
IC 20	50.06.0074		74 LS 74				any
IC 21	50.05.0227		75462	NAND Driver			
IC 22	1.025.017.90		N82S123N	PROM 32 x 8	only		Studer
K 01	—						
K 02	56.04.0130			2A + 2B, AgAu, 24V			Nat.
K 03	56.04.0130						
K 04	56.04.0130						
K 05	56.02.1001			1U, Au, 24V			

IND	DATE	NAME			
④			TI = Texas	Nat. = National	
③			R = Raytheon		
②			M = Motorola		
①			F = Fairchild		
○	8.11.78	Brodbeck/gv	NS = National Sem.		
STUDER	PILOT SYNCHRONIZER MK II		1.081.942	PAGE 3 OF 7	

IND	POS NO	PART NO	VALUE	SPECIFICATIONS/EQUIVALENT			MFR
P 01	54.01.0670			PIN ROW 1x32, 0,63 □			ST,C
P 02	54.01.0670			PIN ROW 1x32, 0,63 □			ST,C
P 03	3x 54.01.0020			PIN 0,63 □			PH,B
P 04	3x 54.01.0020			PIN 0,63 □			PH,B
Q 01	50.03.0329		P 1228 E	PD-FET			Td
Q 02	50.03.0329		P 1228 E				
Q 03	50.03.0329		P 1228 E				
Q 04	50.03.0329		P 1228 E				
Q 05	50.03.0409		BC 108 B				
R 01	57.11.4473		47 k	5% .25W	CF		
R 02	57.11.4823		82 k				
R 03	57.11.4102		1 k				
R 04	57.11.4223		22 k				
R 05	57.11.4223		22 k				
R 06	57.11.4102		1 k				
R 07	57.11.4823		82 k				
R 08	57.11.4103		10 k				
R 09	57.11.4102		1 k				
R 10	57.11.4223		22 k				
R 11	57.11.4102		1 k				
R 12	57.11.4102		1 k				
R 13	57.11.4105		1 M				
R 14	57.39.2553		255 k	1% .25W	MF		
R 15	57.11.4103		10 k	5% .25W	CF		
R 16	57.11.4121		120 E				
R 17	57.11.4472		4,7 k				

IND	DATE	NAME			
④			St = Studer		
③			C = Cannon		
②			PH = Philips		
①			B = Berg		
○	8.11.78	Brodbeck/gv	Td = Teledyne		
STUDER	PILOT SYNCHRONIZER MK II		1.081.942	PAGE 4 OF 7	

IND	POS NO	PART NO	VALUE	SPECIFICATIONS/EQUIVALENT	MFR
	R 18				
	R 19	57.11.4820	82 E	5% .25W CF	
	R 20	57.11.4820	82 E		
	R 21	57.11.4820	82 E		
	R 22	57.11.4183	18 k		
	R 23	58.11.6102	1 k	30% LIN, Cermet	S,H
	R 24	58.11.6103	10 k		
	R 25	57.39.1503	150 k	1% .25W MF	
	R 26	57.11.4102	1 k	5% .25W CF	
	R 27	57.11.4102	1 k		
	R 28	57.11.4823	82 k		
	R 29	57.11.4103	10 k		
	R 30	57.11.4223	22 k		
	R 31	57.11.4103	10 k		
	R 32	57.11.4153	15 k		
	R 33	57.11.4823	82 k		
	R 34	57.11.4181	180 E		
	R 35	58.11.6102	1 k	30% LIN, Cermet,	S,H
	R 36	57.39.1003	100 k	1% .25W MF	
	R 37	57.39.1503	150 k		
	R 38	57.11.4102	1 k	5% .25W CF	
	R 39	57.11.4473	47 k		
	R 40	57.11.4103	10 k		
	R 41	57.11.4183	18 k		
	R 42	57.11.4472	4,7 k		
	R 43	57.11.4153	15 k		
	R 44	57.11.4153	15 k		
	R 45	57.11.4224	220 k		
	R 46	57.11.4183	18 k		
	R 47	57.11.4223	22 k		

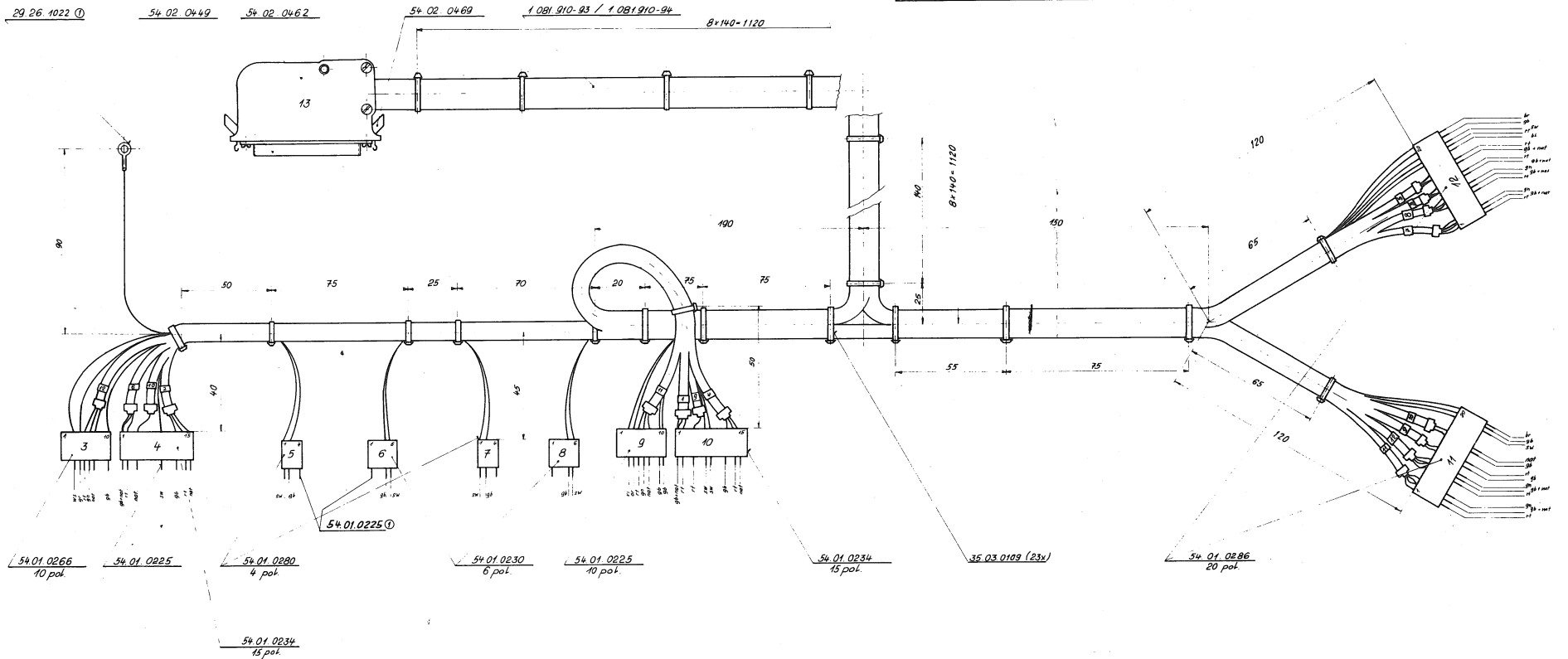
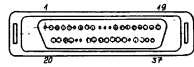
IND	DATE	NAME			
④			CF = Carbon Film	S = Spectrol	
③			MF = Metal Film	H = Helitrim	
②					
①					
○	8.11.78	Brodbeck/gv			
STUDER		PILOT SYNCHRONIZER MK II	1.081.942	PAGE 5 OF 7	

IND	POS NO	PART NO	VALUE	SPECIFICATIONS/EQUIVALENT	MFR
	R 48	57.11.4154	150 k	5% .25W CF	
	R 49	57.11.4474	470 k		
	R 50	57.11.4153	15 k		
	R 51	57.39.4531	4,53 k	1% .25W MF	
	R 52	57.11.4472	4,7 k	5% .25W CF	
	R 53	57.11.4472	4,7 k		
	R 54	57.11.4183	18 k		
	R 55	57.11.4221	220 E		
	R 56	57.11.4121	120 E		
	R 57	57.11.4121	120 E		
	R 58	58.11.6105	1 M	30% LIN, Cermet	S,H
	R 59	57.11.4471	470 E	5% .25W CF	
	R 60	57.11.4222	2,2 k		
	R 61	58.11.6103	10 k	30% LIN, Cermet	S,H
	R 62	57.11.4335	3,3 M	5% .25W CF	
	R 63	57.11.4102	1 k		
	R 64	57.11.4102	1 k		
	R 65	57.11.4335	3,3 M		
	R 66	57.11.4105	1 M		
	R 67	57.11.4121	120 E		
	R 68	57.11.4121	120 E		
	R 69	57.11.4335	3,3 M		
	R 70	57.11.4223	22 k		
	R 71	57.11.4223	22 k		
	R 72	57.11.4102	1 k		
	R 73	57.11.4222	2,2 k		
	R 74	57.11.4221	220 E		
	R 75	57.11.4820	82 E		
	R 76	57.11.4472	4,7 k		
	R 77	57.11.4472	4,7 k		

IND	DATE	NAME			
④			CF = Carbon Film	S = Spectrol	
③			MF = Metal Film	H = Helitrim	
②					
①					
○	8.11.78	Brodbeck/gv			
STUDER		PILOT SYNCHRONIZER MK II	1.081.942	PAGE 6 OF 7	

IND	POS NO	PART NO	VALUE	SPECIFICATIONS/EQUIVALENT	MFR
	R 78	57.11.4472	4,7 k	5% .25W CF	
	R 79	57.11.4472	4,7 k		
	R 80	57.11.4472	4,7 k		
	R 81	57.11.4472	4,7 k		
	R 82	57.11.4472	4,7 k		
	R 83	57.11.4472	4,7 k		
	R 84	57.11.4472	4,7 k		
	RZ 01	57.88.3472	8 x 4,7 k	2% DIL 16	AB,B
	T 01	1.062.770.03		1 : 1	Studer
	T 02	1.062.770.03		1 : 1	
	TP 01	54.01.0020			
	XIC	53.03.0168		IC-Socket DIL 16	
	XIC	53.03.0168		IC-Socket DIL 16	

IND	DATE	NAME			
④			CF = Carbon Film	AB = Allan Bradley	
③				B = Beckman	
②					
①					
○	8.11.78	Brodbeck/gv			
STUDER		PILOT SYNCHRONIZER MK II	1.081.942	PAGE 7 OF 7	



Pos. nach 1.081.910-94

Pos.	Farbe	von	nach
1	rt	13-20	10-2
	gb/bln	13-21	10-1
2	rt	13-43	4-44
	nat	13-31	4-13
	gb/bln	13-32	4-12
3	rt	13-3	12-11
	gb/bln	13-22	12-10
4	rt	13-34	10-14
	nat	13-15	10-15
	gb/bln	13-14	10-12
5	rt	13-9	12-19
	gb/bln	13-27	12-13
6	rt	13-29	4-2
	nat	13-28	4-1
7	rt	13-5	12-1
	nat	13-23	12-3
8	rt	13-6	12-2
	gb/bln	13-7	12-6
	nat	13-26	12-8
9	rt	13-8	12-7
	gb/bln	11-11	10-4
10	nat	11-10	4-4
	gb/bln	11-13	
11	rt	11-1	9-5
	gn	11-3	9-6
	nat	11-2	9-7
12	rt	11-6	3-5
	nat	11-8	3-6

Pos. nach 1081.910-93

Pos.	Farbe	von	nach
1	rt	13-17	12-17
2	or	13-36	9-4
3	gb	13-16	12-19
4	gb	11-49	9-10
5	gb	9-9	8-4
6	gb	7-2	6-4
7	gb	5-2	5-10
8	bl	13-35	12-16
9	vi	13-37	9-3
10	or	13-18	3-4
11	ws	13-19	3-3
12	sw	13-30	12-18
13	sw	11-18	10-8
14	sw	10-7	8-5
15	sw	7-1	6-5
16	sw	5-1	4-8
17	br	13-2	12-20
18	br	11-20	6

STUDER

13.12.76

Hä

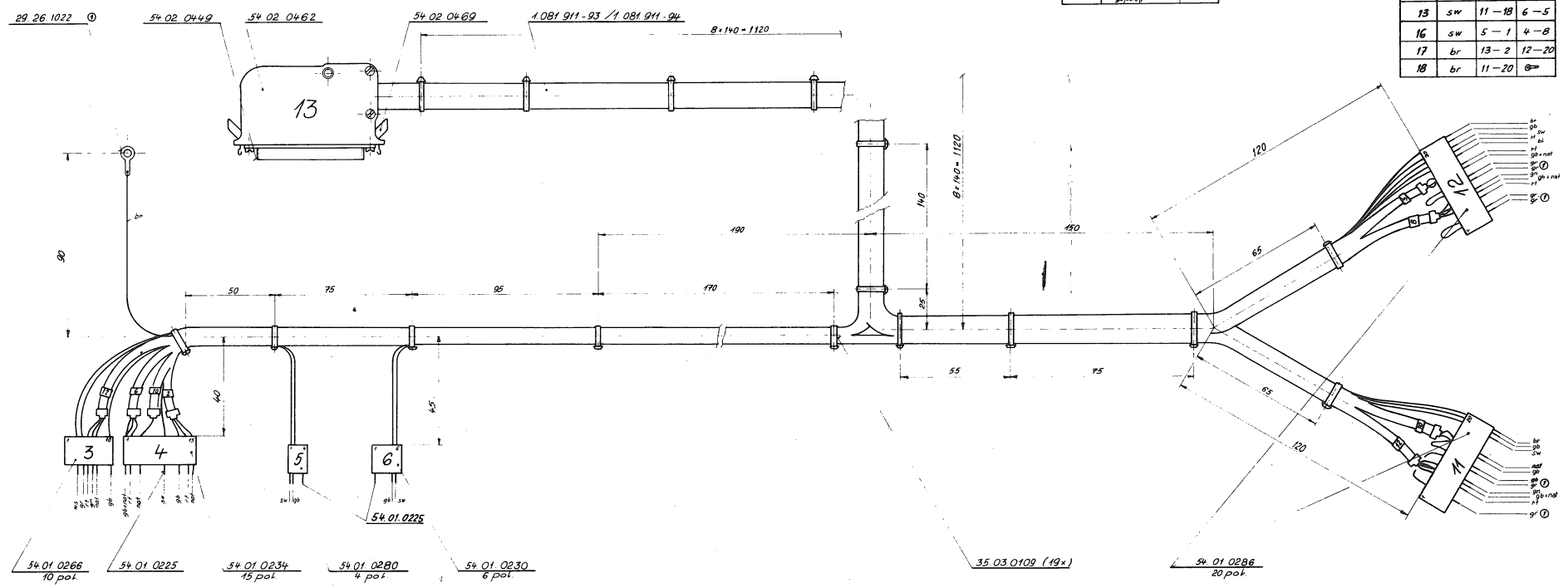
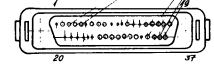
A80RC

1.081.911

WIRE HARNESS TO VU PANEL MONO WITH MONITOR

PAGE 1 OF 1

Positionen 3,4,5,34,36,37 zur Codierung mit 54.02.04.51 belegen ①

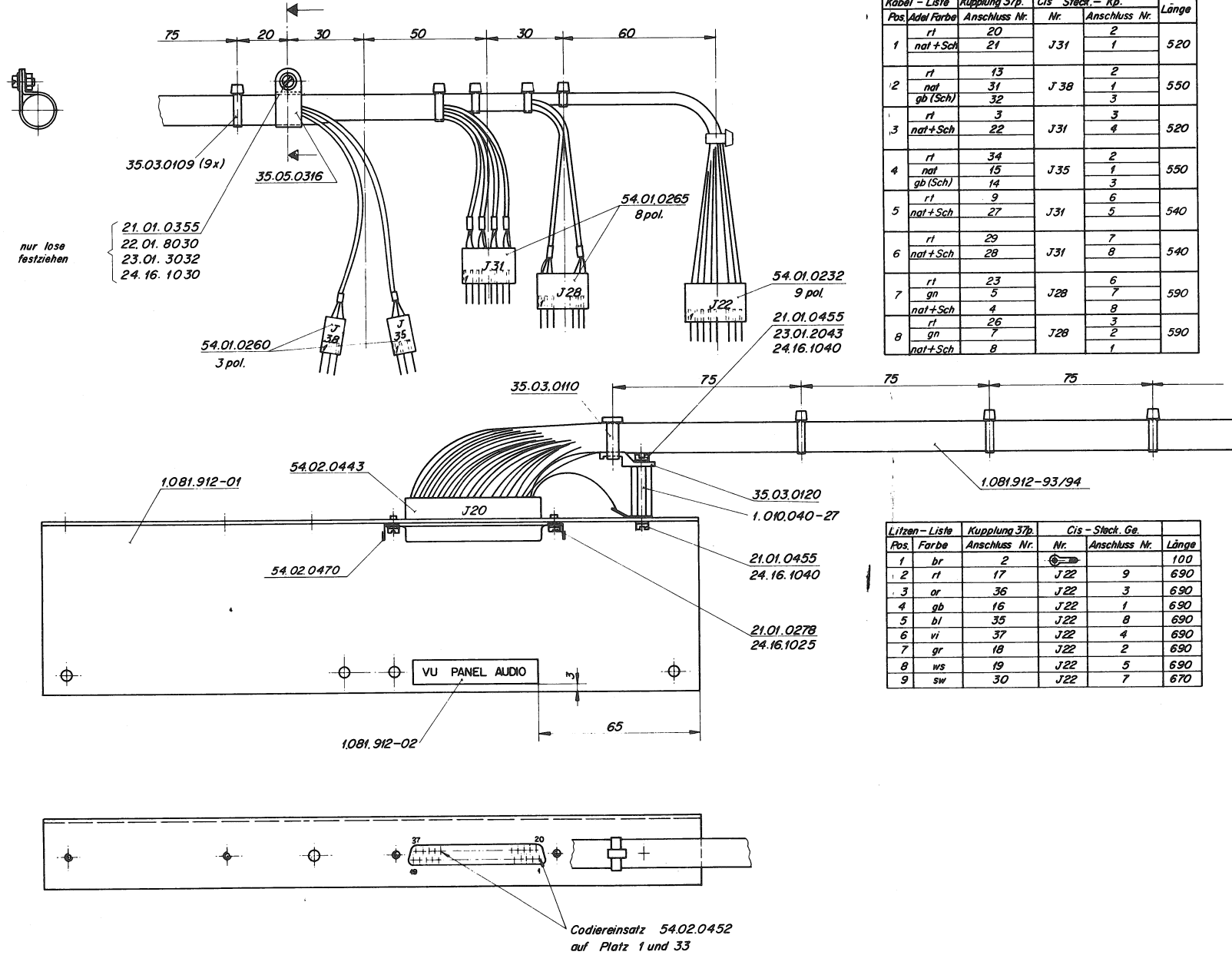


Pos. nach 1.081.911-94

Pos.	Farbe	von	nach
2	rt	9-13	4-10
	rot	13-31	6-15
	schwarz	13-32	4-12
5	rt	13-9	12-10
	rot	13-21	12-13
	schwarz		
6	rt	13-29	4-2
	rot	13-28	4-1
	schwarz		
8	rt	13-7	12-6
	rot	13-26	12-8
	rot	13-8	12-7
	schwarz		
10	rot	11-14	4-4
	schwarz	11-13	
12	rt	11-6	3-5
	rot	11-8	3-6
	schwarz	11-7	3-7

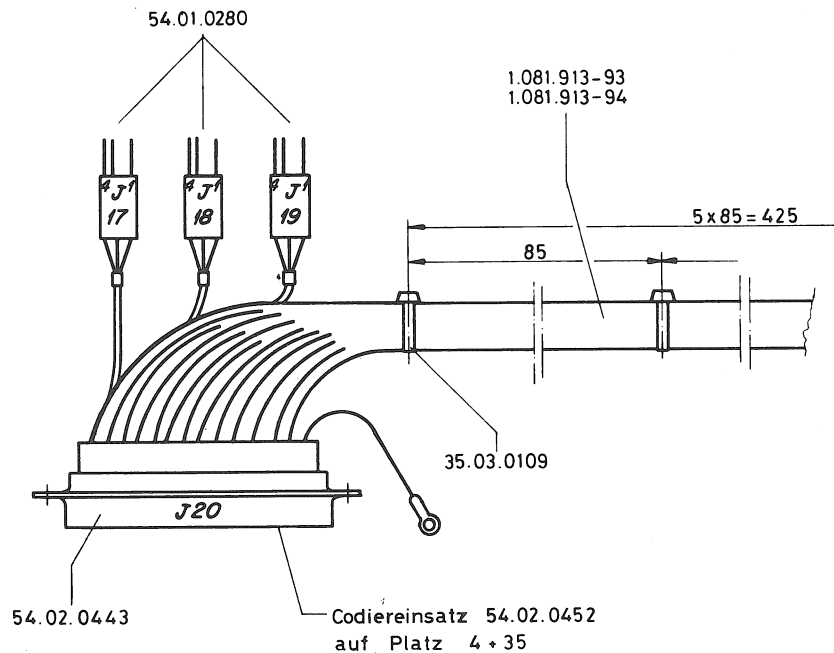
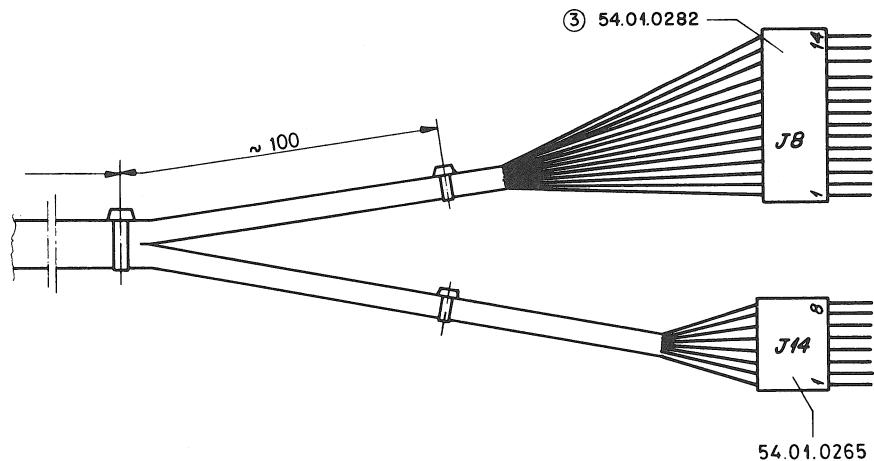
Pos. nach 1.081.911-93

Pos.	Farbe	von	nach
1	rt	8-11	12-11
3	gb	13-16	12-12
4	gb	11-19	6-4
5	gb	11-13	11-11
7	gb	5-2	3-10
8	bl	13-35	12-16
9	gr	11-10	11-3
9	gr	12-2	12-3
9	gr	12-10	12-11
10	gr	13-18	3-4
11	ws	13-19	3-3
12	sw	13-30	12-18
13	sw	11-18	6-5
16	sw	5-1	4-8
17	br	13-2	12-20
18	br	11-20	①



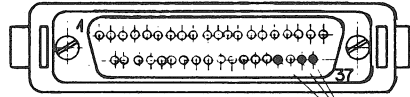
Kabel - Liste	Kupplung 37p.	Cis Steck. - Kp.	Länge
Pos. Adal Farbe	Anschluss Nr.	Nr. Anschluss Nr.	
1	rt 20	J31	2
	nat+Sch 21		1
2	rt 13	J38	2
	nat 31		1
	gb (Sch) 32		3
3	rt 3	J31	3
	nat+Sch 22		4
4	rt 34	J35	2
	nat 15		1
	gb (Sch) 14		3
5	rt 9	J31	6
	nat+Sch 27		5
6	rt 29	J31	7
	nat+Sch 28		8
7	rt 23	J28	6
	gn 5		7
	nat+Sch 4		8
8	rt 26	J28	3
	gn 7		2
	nat+Sch 8		1

Litzen - Liste	Kupplung 37p.	Cis - Steck. Ge.	Länge
Pos. Farbe	Anschluss Nr.	Nr. Anschluss Nr.	
1	br 2	J22	100
2	rt 17	J22	690
3	or 36	J22	690
4	gb 16	J22	690
5	bl 35	J22	690
6	vi 37	J22	690
7	gr 18	J22	690
8	ws 19	J22	690
9	sw 30	J22	670

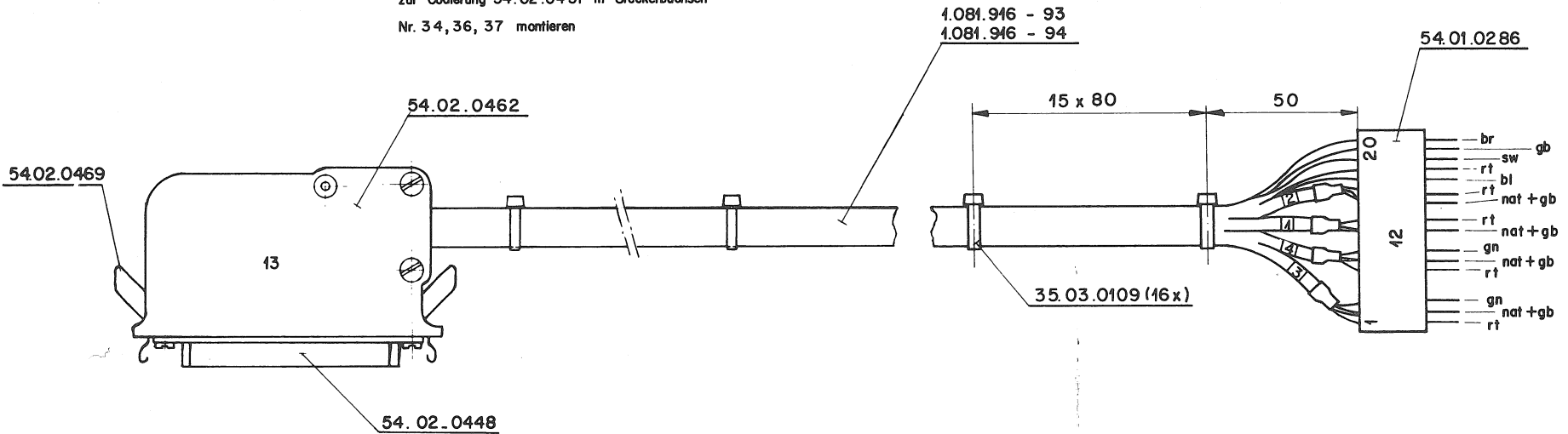


Kabel - Liste		Kupplung 37p	Cis - Stecker		Länge
Pos	Ader Farbe	Ansch. Nr.	Nr.	Ansch. Nr.	
1	rt	5	J14	4	650
	gb	6		5	
	nat	7		7	
	bl	8		8	
	Sch(sw)	-		2	
2	bl	10	J17	1	310
	nat	11		4	
	Sch(gb)	-		3	
3	bl	12	J18	1	250
	nat	13		4	
	Sch(gb)	-		3	
4	bl	14	J19	1	250
	nat	15		4	
	Sch(gb)	-		3	

Litzen - Liste		Kupplung 37p	Cis - Stecker Ge		Länge
Pos	Farbe	Ansch. Nr.	Nr.	Ansch. Nr.	
1	sw	1	Ⓢ	-	100
2	sw	3	J14	3	650
3	br	27	J8	5	670
4	rt	36	J8	10	690
5	gb	28	J8	6	670
6	gn	33	J8	8	690
7	gn	9	J14	6	650
8	bl	23	J8	1	670
9	bl	34	J8	9	690
10	vi	37	J8	11	690
11	gr	26	J8	4	670
11	gr	24	J8	2	670
12	gb	32	J8	7	690
13	vi	2	J14	1	650
14	ws	25	J8	3	670
15	sw	31	J8	12	690
16	vi	29	J8	13	690
17	or	30	J8	14	690



zur Codierung 54.02.0451 in Steckerbuchsen
Nr. 34, 36, 37 montieren



Steckerbelegung K Li			
Pos.	Ader Farbe	Von	Nach
1	rt	13 - 3	12 - 11
	nat	13 - 22	} 12 - 10
	gb(Sch)	—	
2	rt	13 - 9	12 - 14
	nat	13 - 27	} 12 - 13
	gb(Sch)	—	
3	rt	13 - 5	12 - 1
	gn	13 - 23	12 - 3
	nat	13 - 4	} 12 - 2
	gb(Sch)	—	
4	rt	13 - 7	12 - 6
	gn	13 - 26	12 - 8
	nat	13 - 8	} 12 - 7
	gb(Sch)	—	

Steckerbelegung Li L			
Pos	Litzen Farbe	Von	Nach
1	sw	13- 30	12- 18
2	br	13- 2	12- 20
3	rt	13-17	12 - 17
4	gb	13-16	12 - 19
5	bl	13 - 35	12 - 16

- br sw gb
- rt bl
- rt nat + gb
- rt nat + gb
- gn nat + gb
- rt nat + gb
- gn nat + gb
- rt nat + gb

STUDER

23.11.78

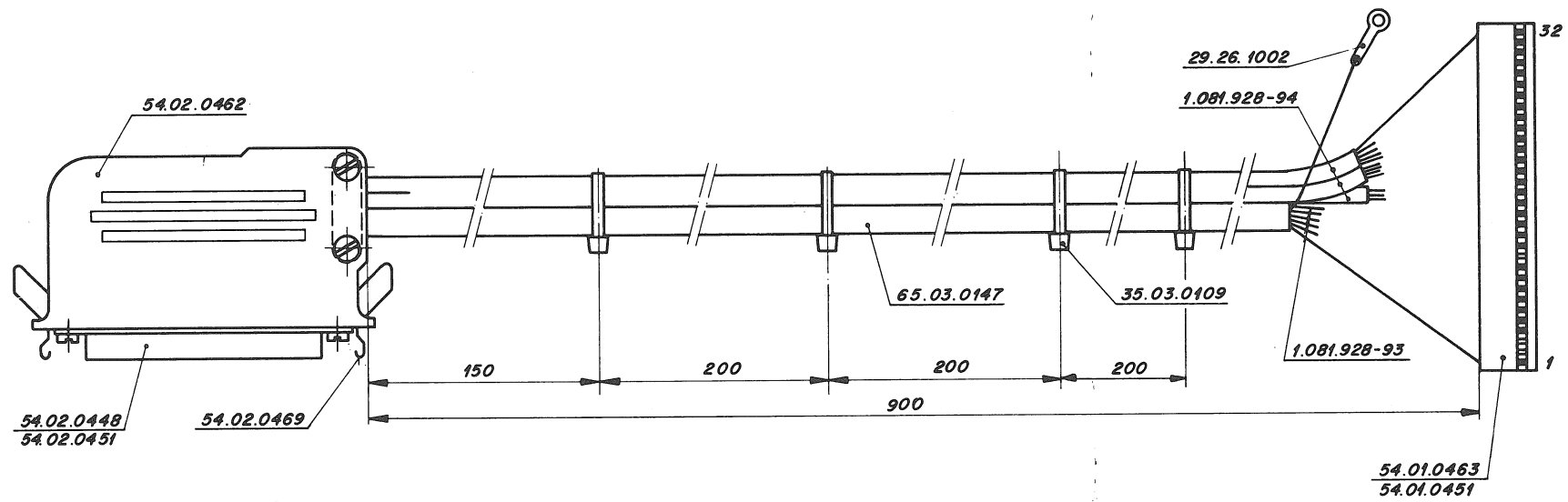
Skal.

A80RC

1.081.928

WIRE HARNESS TO PILOT FOLLOW UP PANEL

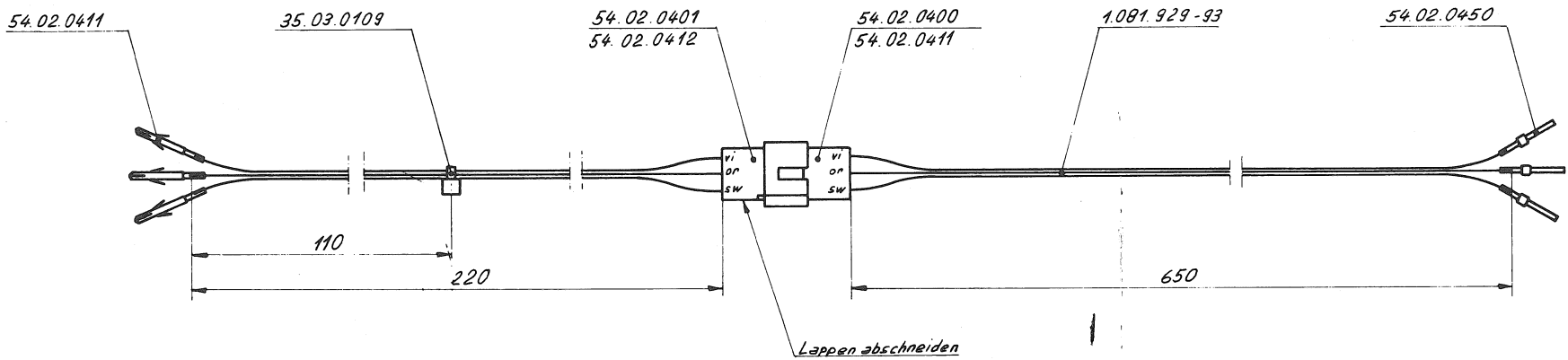
PAGE 1 OF 1



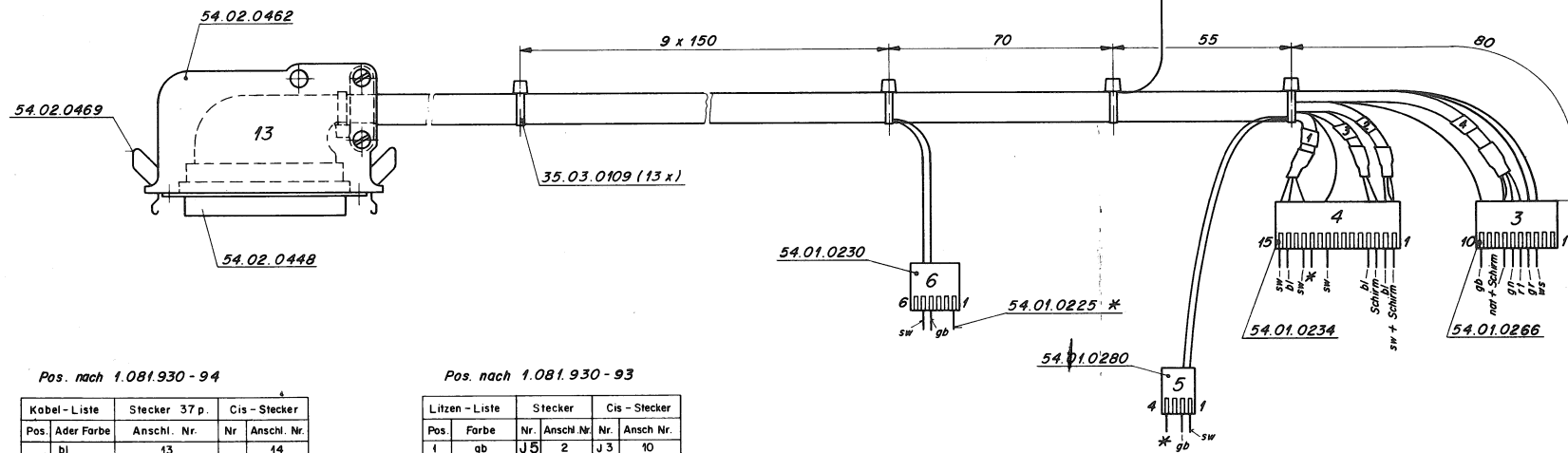
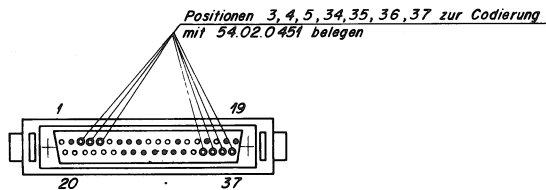
Kabel-Liste		Stecker 37p.	AMP-Buchsenleiste 32p.
Pos.	Ader Farbe	Anschl.Nr.	Anschl.Nr.
1	bl	10	31
	nat	11	30
	Schirm	-	29
2	rt	5	8
	gb	6	9
	bl	8	7
	nat	7	6
	Schirm	-	5
3	rt	12	23
	gb	13	24
	bl	14	21
	nat	15	22
	Schirm	-	19

Litzen-Liste		Stecker 37p.	AMP-Buchsenleiste 32p.
Pos.	Farbe	Anschl.Nr.	Anschl.Nr.
1	sw	3	15
1	sw	31	1
2	br	27	27
3	rt	36	16
4	or	30	4
5	gb	28	13
5	gb	32	20
6	gn	9	26
6	gn	33	32
7	bl	23	25
7	bl	34	12
8	vi	2	28
8	vi	37	14
9	qr	24	17
9	qr	26	10
10	ws	25	18
11	sw	1	

30.11.78	Skal.	A 80 RC	1.081.929
STUDER	SUPPLEMENT CABEL TO PILOT FOLLOW UP CONNECTOR		
			PAGE 1 OF 1



Dieses Zusatzkabel dient bei der Version A80 RC-1 PWU als Ergänzung des Kabelbundes 1.081.913, entfällt jedoch bei Verwendung des neuen Kabelbundes 1.081.913-81.



Pos. nach 1.081.930 - 94

Kabel - Liste		Stecker 37 p.		Cis - Stecker	
Pos.	Ader Farbe	Anschl. Nr.	Nr.	Nr.	Anschl. Nr.
1	bl	13	J 4	14	
	sw	31	J 4	15	
	Schirm	32		12	
2	bl	29	J 4	2	
	sw	28	J 4	1	
	Schirm	-			
3	bl	9	J 4	4	
	sw	27	J 4	-	
	Schirm	-		3	
4	rt	7	J 3	5	
	gn	26	J 3	6	
	nat	8	J 3	7	
	Schirm	-			

Pos. nach 1.081.930 - 93

Litzen - Liste		Stecker		Cis - Stecker	
Pos.	Farbe	Nr.	Anschl. Nr.	Nr.	Anschl. Nr.
1	gb	J 5	2	J 3	10
2	gb	J 5	16	J 6	4
3	gr	J 5	18	J 3	4
4	ws	J 5	19	J 3	3
5	sw	J 5	1	J 4	8
6	sw	J 5	30	J 6	5
7	sw	J 5	2		