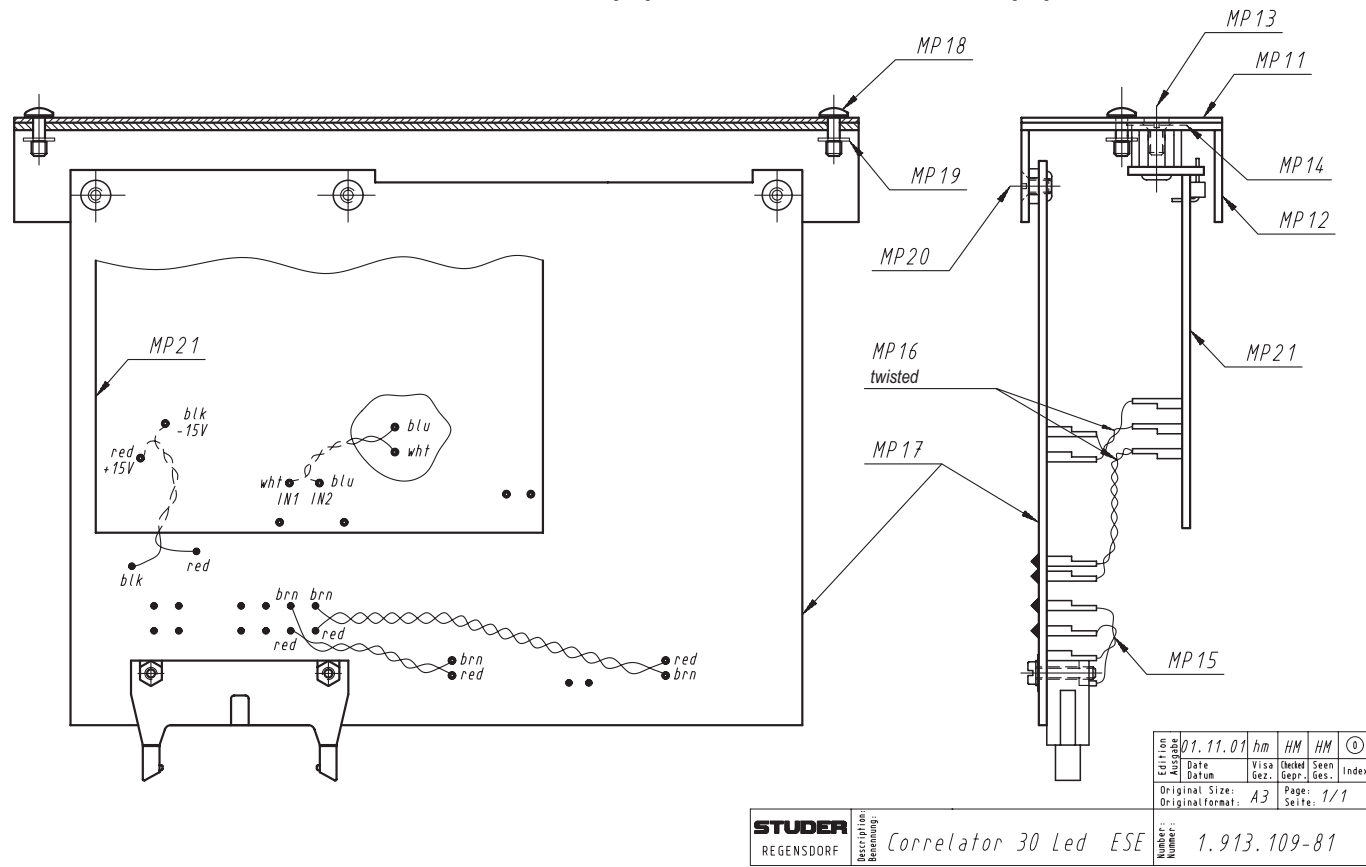


Correlator 30 LED, 2-CH 1.913.109.81 (0) / 4-CH 1.913.100.81 (0)



Correlator 30 LED, 2-CH 1.913.109.81 (0)

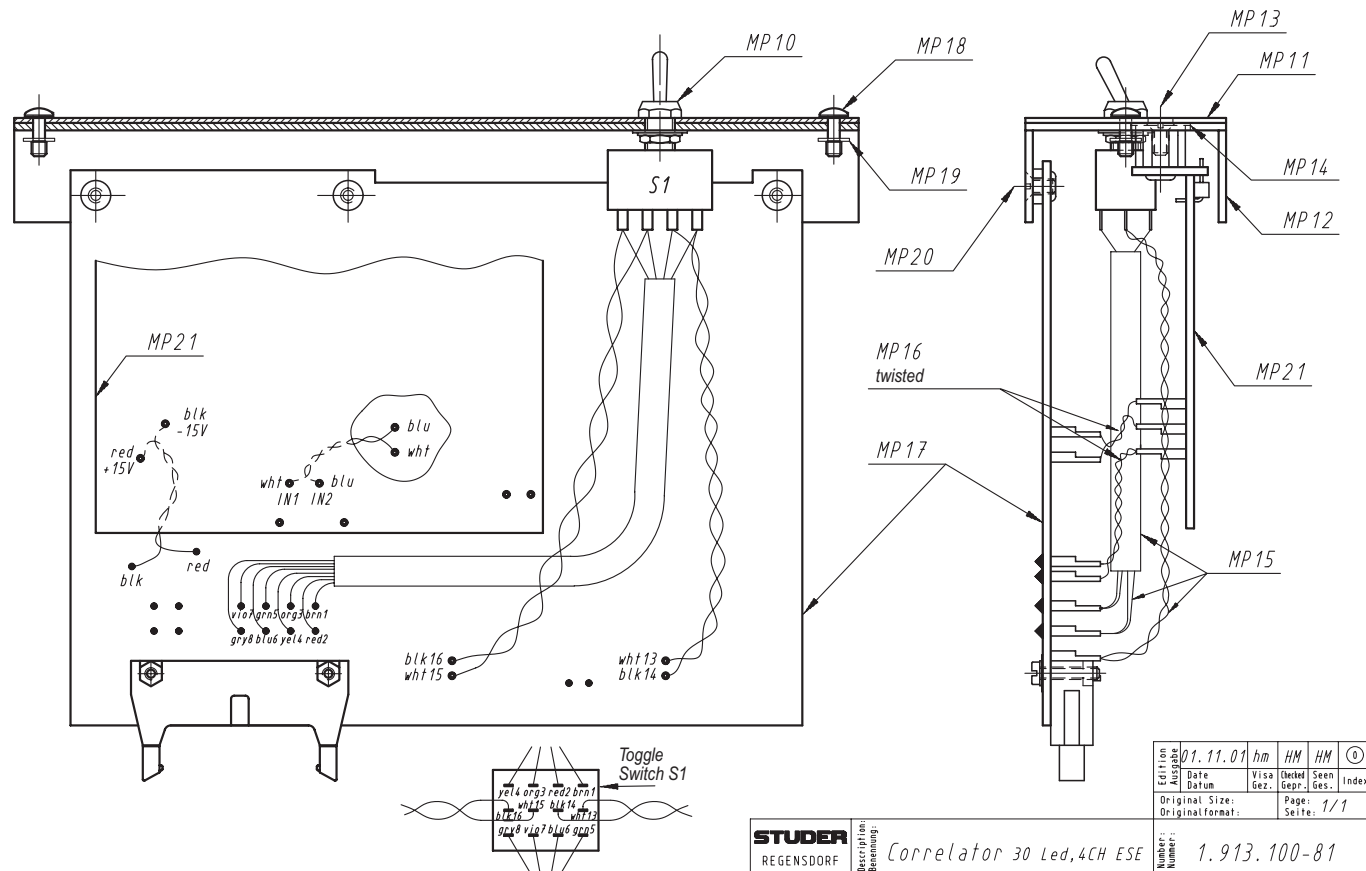
Idx. Pos.	Part No.	Qty.	Type/Val.	Description
0	MP 9	1.913.109.04	1 pce	STUDER-NR.-ETIKETTE 10 * 20
0	MP 11	1.913.010.41	1 pce	FRONTSCHILD 1E 30LED CORR.2CH
0	MP 12	1.913.010.40	1 pce	TRAEGER 1E 30LED CORRELATOR
0	MP 13	21.99.0175	2 pcs M3*6	S-Schraube IS A2 sw oxydiert
0	MP 14	1.913.136.03	1 pce	FENSTER BUS SELECTOR +VU
0	MP 15	1.913.212.93	1 pce	LL KORRELATOR 2CH
0	MP 16	1.913.109.93	1 pce	LL KORRELATOR 30 LED
0	MP 17	1.913.212.00	1 pce	CORRELATOR BOARD ,A
0	MP 18	24.16.3023	2 pcs 2.3	Wellensicherung
0	MP 19	1.010.022.21	2 pcs M3*8	L-Schraube IS sw spezial
0	MP 20	21.01.2353	3 pcs M3*5	S - Schraube Zn bl chr
0	MP 21	1.913.095.00	1 pce	CORRELATOR 30LED 2CH ,A

Comments:

End of List

Idx. Pos.	Part No.	Qty.	Type/Val.	Description
0	MP 9	1.913.109.04	1 pce	STUDER-NR.-ETIKETTE 10 * 20
0	MP 11	1.913.010.41	1 pce	FRONTSCHILD 1E 30LED CORR.2CH
0	MP 12	1.913.010.40	1 pce	TRAEGER 1E 30LED CORRELATOR
0	MP 13	21.99.0175	2 pcs M3*6	S-Schraube IS A2 sw oxydiert
0	MP 14	1.913.136.03	1 pce	FENSTER BUS SELECTOR +VU
0	MP 15	1.913.212.93	1 pce	LL KORRELATOR 2CH
0	MP 16	1.913.109.93	1 pce	LL KORRELATOR 30 LED
0	MP 17	1.913.212.00	1 pce	CORRELATOR BOARD ,A
0	MP 18	24.16.3023	2 pcs 2.3	Wellensicherung
0	MP 19	1.010.022.21	2 pcs M3*8	L-Schraube IS sw spezial
0	MP 20	21.01.2353	3 pcs M3*5	S - Schraube Zn bl chr
0	MP 21	1.913.095.00	1 pce	CORRELATOR 30LED 2CH ,A

Correlator 30 LED, 4-CH 1.913.100.81 (0)



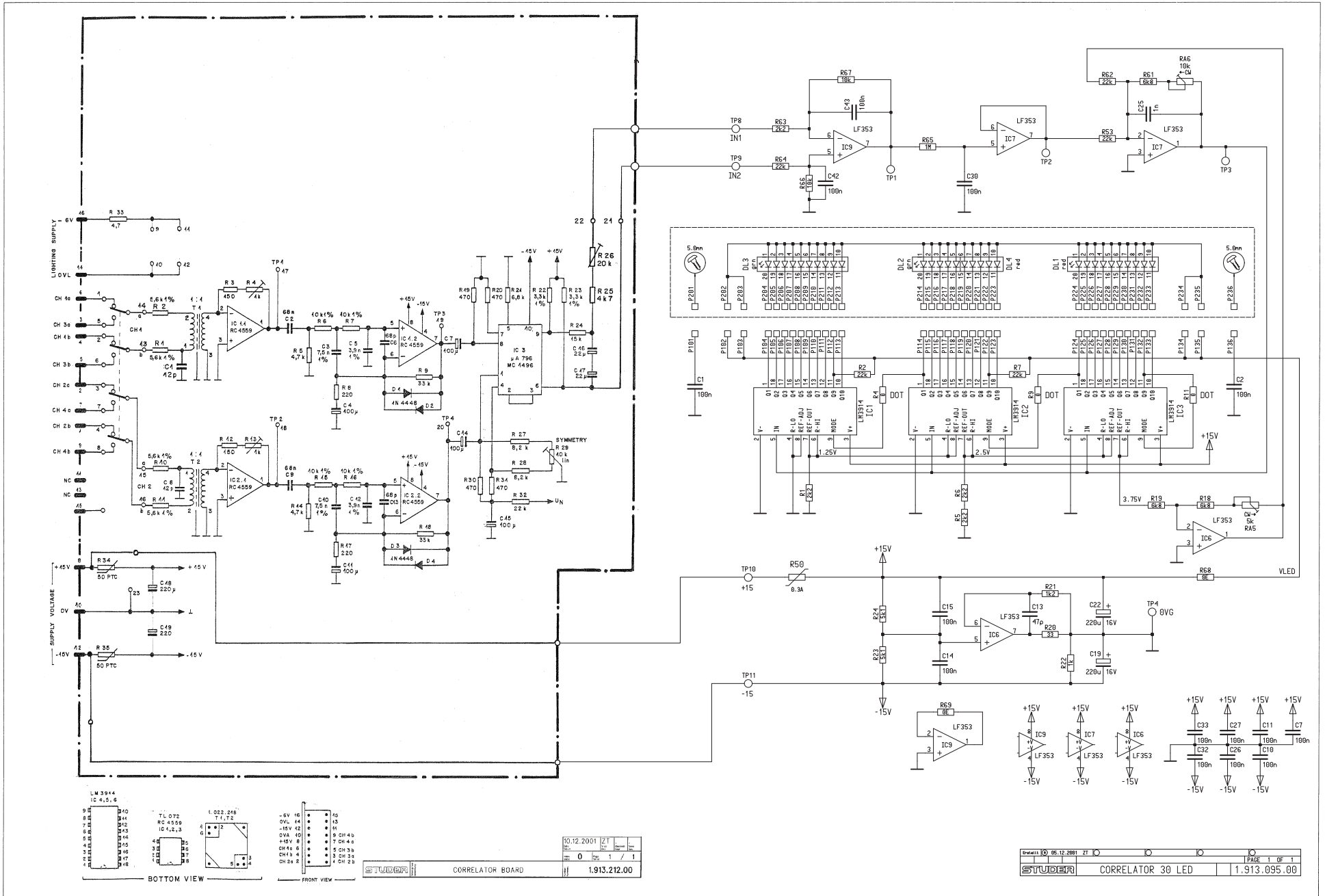
Idx. Pos.	Part No.	Qty.	Type/Val.	Description
0	MP 9	1.913.100.04	1 pce	STUDER-NR.-ETIKETTE 10 * 20
0	MP 10	1.010.031.22	1 pce 1/4*40NS	Abdeck-Mutter Ms Ni
0	MP 11	1.913.010.42	1 pce	FRONTSCHILD 1E 30LED CORR.4CH
0	MP 12	1.913.010.40	1 pce	TRAEGER 1E 30LED CORRELATOR
0	MP 13	21.99.0175	2 pcs M3*6	S-Schraube IS A2 sw oxydiert
0	MP 14	1.913.136.03	1 pce	FENSTER BUS SELECTOR +VU
0	MP 15	1.913.211.93	1 pce	LL KORRELATOR 4CH
0	MP 16	1.913.109.93	1 pce	LL KORRELATOR 30 LED
0	MP 17	1.913.212.00	1 pce	CORRELATOR BOARD ,A
0	MP 18	24.16.3023	2 pcs 2.3	Wellensicherung
0	MP 19	1.010.022.21	2 pcs M3*8	L-Schraube IS sw spezial
0	MP 20	21.01.2353	3 pcs M3*5	S - Schraube Zn bl chr
0	MP 21	1.913.095.00	1 pce	CORRELATOR 30LED 2CH ,A
0	S 1	55.01.0115	1 pce 4*on-none-on	Kippschalter Ag

Comments:

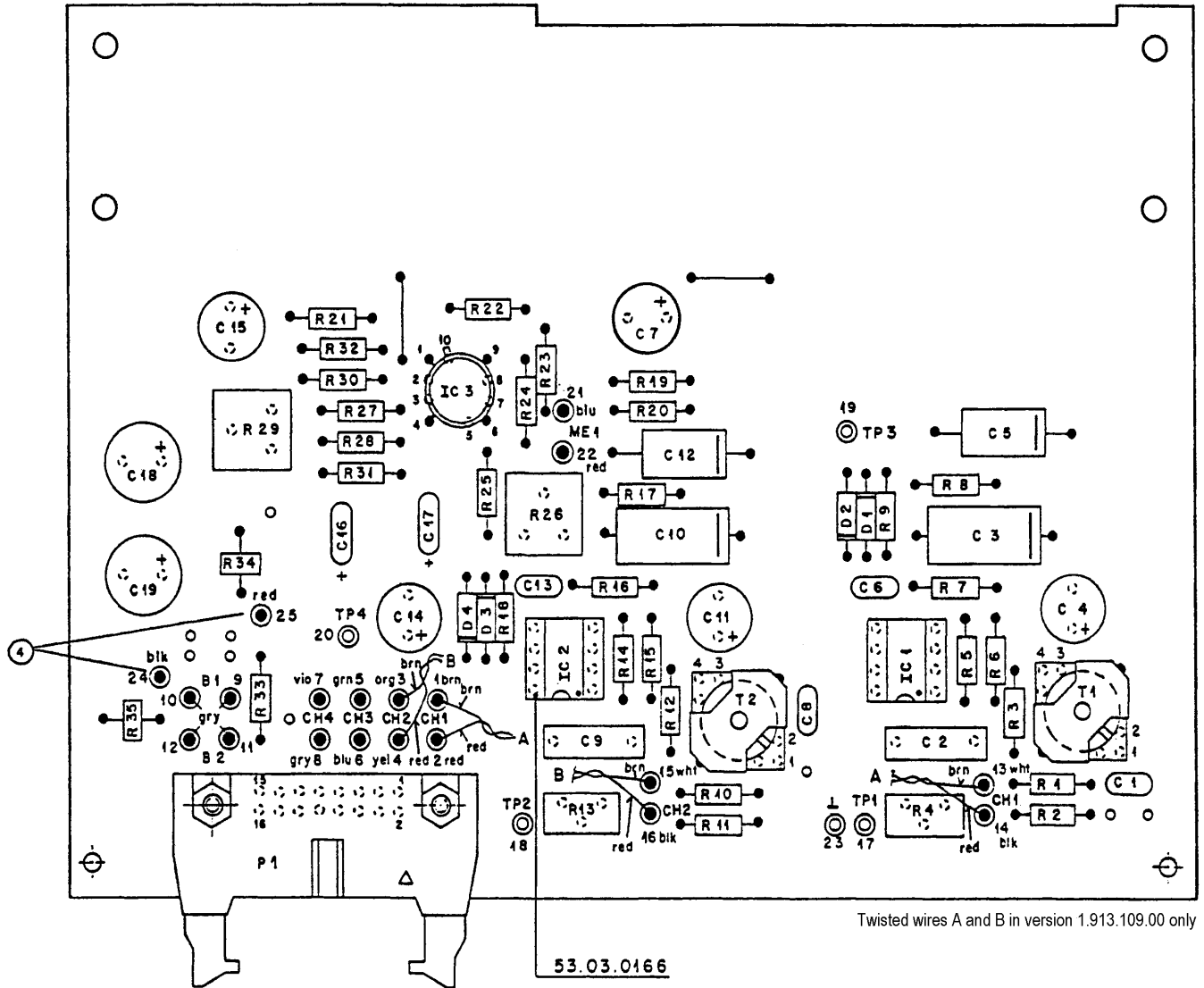
End of List

Idx. Pos.	Part No.	Qty.	Type/Val.	Description
0	MP 9	1.913.100.04	1 pce	STUDER-NR.-ETIKETTE 10 * 20
0	MP 10	1.010.031.22	1 pce 1/4*40NS	Abdeck-Mutter Ms Ni
0	MP 11	1.913.010.42	1 pce	FRONTSCHILD 1E 30LED CORR.4CH
0	MP 12	1.913.010.40	1 pce	TRAEGER 1E 30LED CORRELATOR
0	MP 13	21.99.0175	2 pcs M3*6	S-Schraube IS A2 sw oxydiert
0	MP 14	1.913.136.03	1 pce	FENSTER BUS SELECTOR +VU
0	MP 15	1.913.211.93	1 pce	LL KORRELATOR 4CH
0	MP 16	1.913.109.93	1 pce	LL KORRELATOR 30 LED
0	MP 17	1.913.212.00	1 pce	CORRELATOR BOARD ,A
0	MP 18	24.16.3023	2 pcs 2.3	Wellensicherung
0	MP 19	1.010.022.21	2 pcs M3*8	L-Schraube IS sw spezial
0	MP 20	21.01.2353	3 pcs M3*5	S - Schraube Zn bl chr
0	MP 21	1.913.095.00	1 pce	CORRELATOR 30LED 2CH ,A
0	S 1	55.01.0115	1 pce 4*on-none-on	Kippschalter Ag

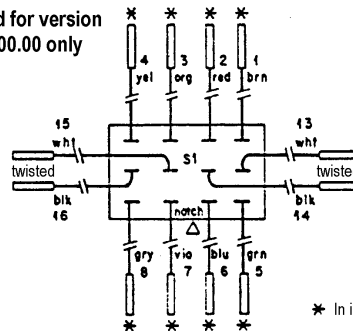
Correlator 4CH 30 LED 1.913.100  
Correlator 2CH 30 LED 1.913.109



Correlator PCB 1.913.212.00 (4)



S1 used for version 1.913.100.00 only



30.11.88	A.H.	17	17	17	17
12.11.86	A.Ho	17	17	17	17
10.12.84	A.Ho	17	17	17	17
4.1.84	A.Ho	17	17	17	17
9.2.83	A.Ho	17	17	17	17
Datum	Gez.	Gez.	Gez.	Gez.	Indst.

STUDER REGENSDORF ZÜRICH	NUMERARY <b>CORRELATOR BOARD</b>	NUMERARY <b>1.913.212</b>
--------------------------------	-------------------------------------	------------------------------

**Correlator PCB 1.913.212.00 ( 0)**

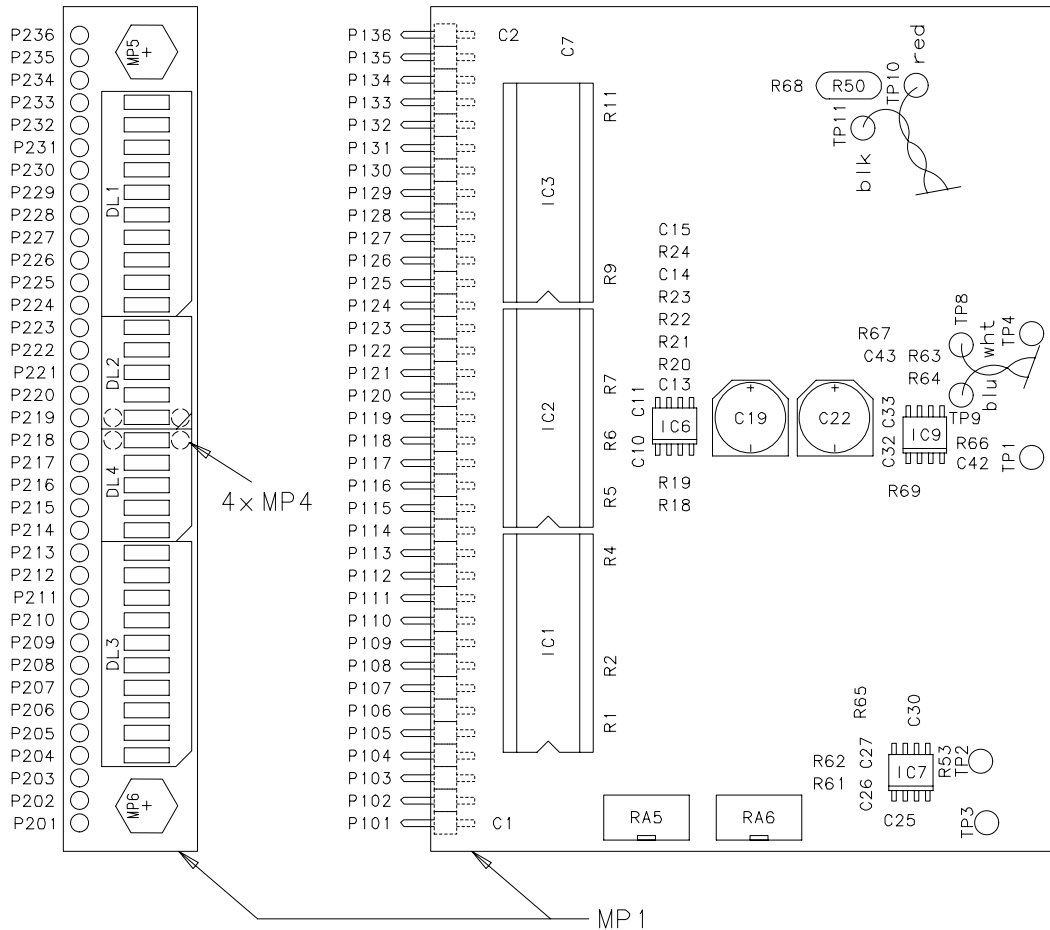
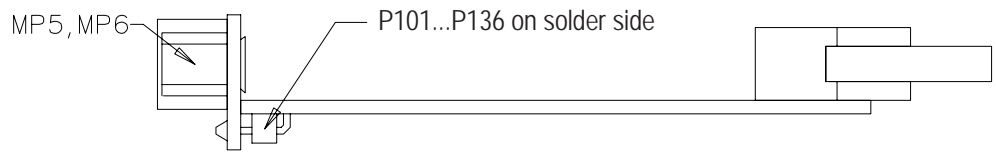
Idx. Pos.	Part No.	Qty.	Type/Val.	Description
0	C 1	59.34.1120	12p	CER 63V, 5%, NP 0
0	C 2	59.02.5683	68n	MPC, 5%, 250V
0	C 3	59.12.7752	7n5	PS 63V 1%
0	C 4	59.22.5101	100u	EL 25V 20% RM5
0	C 5	59.12.7392	3n9	PS 63V 1%
0	C 6	59.34.4680	68p	CER 63V, 5%, N750
0	C 7	59.22.5101	100u	EL 25V 20% RM5
0	C 8	59.34.1120	12p	CER 63V, 5%, NP 0
0	C 9	59.02.5683	68n	MPC, 5%, 250V
0	C 10	59.12.7752	7n5	PS 63V 1%
0	C 11	59.22.5101	100u	EL 25V 20% RM5
0	C 12	59.12.7392	3n9	PS 63V 1%
0	C 13	59.34.4680	68p	CER 63V, 5%, N750
0	C 14	59.22.5101	100u	EL 25V 20% RM5
0	C 15	59.22.5101	100u	EL 25V 20% RM5
0	C 16	59.26.1220	22u	SAL 10V 20%
0	C 17	59.26.1220	22u	SAL 10V 20%
0	C 18	59.22.4221	220u	EL 16V 20% RM5
0	C 19	59.22.4221	220u	EL 16V 20% RM5
0	D 1	50.04.0125	1N4448	75V, 150mA, 4ns, DO-35
0	D 2	50.04.0125	1N4448	75V, 150mA, 4ns, DO-35
0	D 3	50.04.0125	1N4448	75V, 150mA, 4ns, DO-35
0	D 4	50.04.0125	1N4448	75V, 150mA, 4ns, DO-35
0	IC 1	50.09.0107	4559	Dual Op-Amp
0	IC 2	50.09.0107	4559	Dual Op-Amp
0	IC 3	50.05.0122	1496	Multiplier TO100
0	MP 1	1.913.210.11	1 pcs	CORRELATOR BOARD
0	MP 2	54.02.0471	25 pcs	Stift d 1.5 * 5.5 lot
0	P 1	54.14.2012	16p	Winkelstecker Au
0	R 1	57.11.3562	5k6	MF, 1%, 0207
0	R 2	57.11.3562	5k6	MF, 1%, 0207
0	R 3	57.11.3151	150R	MF, 1%, 0207
0	R 4	58.01.7102	1k0	Cermet, 10% 0.25W
0	R 5	57.11.3472	4k7	MF, 1%, 0207
0	R 6	57.11.3103	10k	MF, 1%, 0207
0	R 7	57.11.3103	10k	MF, 1%, 0207
0	R 8	57.11.3221	220R	MF, 1%, 0207
0	R 9	57.11.3333	33k	MF, 1%, 0207
0	R 10	57.11.3562	5k6	MF, 1%, 0207
0	R 11	57.11.3562	5k6	MF, 1%, 0207
0	R 12	57.11.3151	150R	MF, 1%, 0207
0	R 13	58.01.7102	1k0	Cermet, 10% 0.25W
0	R 14	57.11.3472	4k7	MF, 1%, 0207
0	R 15	57.11.3103	10k	MF, 1%, 0207
0	R 16	57.11.3103	10k	MF, 1%, 0207
0	R 17	57.11.3221	220R	MF, 1%, 0207
0	R 18	57.11.3333	33k	MF, 1%, 0207
0	R 19	57.11.3471	470R	MF, 1%, 0207
0	R 20	57.11.3471	470R	MF, 1%, 0207
0	R 21	57.11.3682	6k8	MF, 1%, 0207
0	R 22	57.11.3332	3k3	MF, 1%, 0207
0	R 23	57.11.3332	3k3	MF, 1%, 0207
0	R 24	57.11.3153	15k	MF, 1%, 0207
0	R 25	57.11.3472	4k7	MF, 1%, 0207
0	R 26	58.01.8203	20k	Cermet, 10%, 0.5W, horizontal
0	R 27	57.11.3822	8k2	MF, 1%, 0207
0	R 28	57.11.3822	8k2	MF, 1%, 0207
0	R 29	58.01.8103	10k	Cermet, 10%, 0.5W, horizontal
0	R 30	57.11.3471	470R	MF, 1%, 0207
0	R 31	57.11.3471	470R	MF, 1%, 0207
0	R 32	57.11.3223	22k	MF, 1%, 0207
0	R 33	57.11.3479	4R7	MF, 1%, 0207
0	R 34	57.99.0206	50R	PTC, 25V, 0.5W
0	R 35	57.99.0206	50R	PTC, 25V, 0.5W
0	T 1	1.022.218.00	1 : 1	EINGANGSTRAFO 1 : 1
0	T 2	1.022.218.00	1 : 1	EINGANGSTRAFO 1 : 1
0	W 1	1.010.324.64	RM10.2	U shaped wire 0.6mm
0	W 2	1.010.324.64	RM10.2	U shaped wire 0.6mm
0	XIC 1	53.03.0166	8p	DIL-socket 0.3"
0	XIC 2	53.03.0166	8p	DIL-socket 0.3"

Idx. Pos.	Part No.	Qty.	Type/Val.	Description
0	C 1	59.34.1120	12p	CER 63V, 5%, NP 0
0	C 2	59.02.5683	68n	MPC, 5%, 250V
0	C 3	59.12.7752	7n5	PS 63V 1%
0	C 4	59.22.5101	100u	EL 25V 20% RM5
0	C 5	59.12.7392	3n9	PS 63V 1%
0	C 6	59.34.4680	68p	CER 63V, 5%, N750
0	C 7	59.22.5101	100u	EL 25V 20% RM5
0	C 8	59.34.1120	12p	CER 63V, 5%, NP 0
0	C 9	59.02.5683	68n	MPC, 5%, 250V
0	C 10	59.12.7752	7n5	PS 63V 1%
0	C 11	59.22.5101	100u	EL 25V 20% RM5
0	C 12	59.12.7392	3n9	PS 63V 1%
0	C 13	59.34.4680	68p	CER 63V, 5%, N750
0	C 14	59.22.5101	100u	EL 25V 20% RM5
0	C 15	59.22.5101	100u	EL 25V 20% RM5
0	C 16	59.26.1220	22u	SAL 10V 20%
0	C 17	59.26.1220	22u	SAL 10V 20%
0	C 18	59.22.4221	220u	EL 16V 20% RM5
0	C 19	59.22.4221	220u	EL 16V 20% RM5
0	D 1	50.04.0125	1N4448	75V, 150mA, 4ns, DO-35
0	D 2	50.04.0125	1N4448	75V, 150mA, 4ns, DO-35
0	D 3	50.04.0125	1N4448	75V, 150mA, 4ns, DO-35
0	D 4	50.04.0125	1N4448	75V, 150mA, 4ns, DO-35
0	IC 1	50.09.0107	4559	Dual Op-Amp
0	IC 2	50.09.0107	4559	Dual Op-Amp
0	IC 3	50.05.0122	1496	Multiplier TO100
0	MP 1	1.913.210.11	1 pcs	CORRELATOR BOARD
0	MP 2	54.02.0471	25 pcs	Stift d 1.5 * 5.5 lot
0	P 1	54.14.2012	16p	Winkelstecker Au
0	R 1	57.11.3562	5k6	MF, 1%, 0207
0	R 2	57.11.3562	5k6	MF, 1%, 0207
0	R 3	57.11.3151	150R	MF, 1%, 0207
0	R 4	58.01.7102	1k0	Cermet, 10% 0.25W
0	R 5	57.11.3472	4k7	MF, 1%, 0207
0	R 6	57.11.3103	10k	MF, 1%, 0207
0	R 7	57.11.3103	10k	MF, 1%, 0207
0	R 8	57.11.3221	220R	MF, 1%, 0207
0	R 9	57.11.3333	33k	MF, 1%, 0207
0	R 10	57.11.3562	5k6	MF, 1%, 0207
0	R 11	57.11.3562	5k6	MF, 1%, 0207
0	R 12	57.11.3151	150R	MF, 1%, 0207
0	R 13	58.01.7102	1k0	Cermet, 10% 0.25W
0	R 14	57.11.3472	4k7	MF, 1%, 0207
0	R 15	57.11.3103	10k	MF, 1%, 0207
0	R 16	57.11.3103	10k	MF, 1%, 0207
0	R 17	57.11.3221	220R	MF, 1%, 0207
0	R 18	57.11.3333	33k	MF, 1%, 0207
0	R 19	57.11.3471	470R	MF, 1%, 0207
0	R 20	57.11.3471	470R	MF, 1%, 0207
0	R 21	57.11.3682	6k8	MF, 1%, 0207
0	R 22	57.11.3332	3k3	MF, 1%, 0207
0	R 23	57.11.3332	3k3	MF, 1%, 0207
0	R 24	57.11.3153	15k	MF, 1%, 0207
0	R 25	57.11.3472	4k7	MF, 1%, 0207
0	R 26	58.01.8203	20k	Cermet, 10%, 0.5W, horizontal
0	R 27	57.11.3822	8k2	MF, 1%, 0207
0	R 28	57.11.3822	8k2	MF, 1%, 0207
0	R 29	58.01.8103	10k	Cermet, 10%, 0.5W, horizontal
0	R 30	57.11.3471	470R	MF, 1%, 0207
0	R 31	57.11.3471	470R	MF, 1%, 0207
0	R 32	57.11.3223	22k	MF, 1%, 0207
0	R 33	57.11.3479	4R7	MF, 1%, 0207
0	R 34	57.99.0206	50R	PTC, 25V, 0.5W
0	R 35	57.99.0206	50R	PTC, 25V, 0.5W
0	T 1	1.022.218.00	1 : 1	EINGANGSTRAFO 1 : 1
0	T 2	1.022.218.00	1 : 1	EINGANGSTRAFO 1 : 1
0	W 1	1.010.324.64	RM10.2	U shaped wire 0.6mm
0	W 2	1.010.324.64	RM10.2	U shaped wire 0.6mm
0	XIC 1	53.03.0166	8p	DIL-socket 0.3"
0	XIC 2	53.03.0166	8p	DIL-socket 0.3"

End of List

Comments:

**Correlator 30 LED PCB 1.913.095.00 ( 0)**



Edition	05.12.2001	ZT	ML	HW	Ⓢ
Number					
Date		Vis	Checked	Seen	Index
Bozum		itz	Sign.	Gas.	
Page:	1 / 1				
Seite:					

<b>STUDER</b> REGENSDORF	Best.-Pkt.- Benennung:	CORRELATOR 30 LED, ESE	Z	Number:	1.913.095.00
-----------------------------	---------------------------	------------------------	---	---------	--------------

**Correlator 30 LED PCB 1.913.095.00 ( 0)**

Idx. Pos.	Part No.	Qty.	Type/Val.	Description
0	C 1	59.60.3337	1 pce	100n CER 50V, 10%, X7R, 0805
0	C 2	59.60.3337	1 pce	100n CER 50V, 10%, X7R, 0805
0	C 7	59.60.3337	1 pce	100n CER 50V, 10%, X7R, 0805
0	C 10	59.60.3337	1 pce	100n CER 50V, 10%, X7R, 0805
0	C 11	59.60.3337	1 pce	100n CER 50V, 10%, X7R, 0805
0	C 13	59.60.2241	1 pce	47p CER 50V, 5%, COG, 0603
0	C 14	59.60.3337	1 pce	100n CER 50V, 10%, X7R, 0805
0	C 15	59.60.3337	1 pce	100n CER 50V, 10%, X7R, 0805
0	C 19	59.68.0073	1 pce	220u EL 16V, 8.0*10.7
0	C 22	59.68.0073	1 pce	220u EL 16V, 8.0*10.7
0	C 25	59.60.2373	1 pce	1r0 CER 50V, 5%, COG, 0805
0	C 26	59.60.3337	1 pce	100n CER 50V, 10%, X7R, 0805
0	C 27	59.60.3337	1 pce	100n CER 50V, 10%, X7R, 0805
0	C 30	59.60.3337	1 pce	100n CER 50V, 10%, X7R, 0805
0	C 32	59.60.3337	1 pce	100n CER 50V, 10%, X7R, 0805
0	C 33	59.60.3337	1 pce	100n CER 50V, 10%, X7R, 0805
0	C 42	59.60.3337	1 pce	100n CER 50V, 10%, X7R, 0805
0	C 43	59.60.3337	1 pce	100n CER 50V, 10%, X7R, 0805
0	DL 1	50.04.2150	1 pce	MV57164 10*LED-Bargraf rot diffus
0	DL 2	1.913.109.01	1 pce	5 LED DISPLAY RED
0	DL 3	50.04.2161	1 pce	GRN DLZ MV 54 164,LTA1000G 10*D GN
0	DL 4	1.913.109.02	1 pce	5 LED DISPLAY GREEN
0	IC 1	50.11.0119	1 pce	LM3914 IC LM 3914 N,
0	IC 2	50.11.0119	1 pce	LM3914 IC LM 3914 N,
0	IC 3	50.11.0119	1 pce	LM3914 IC LM 3914 N,
0	IC 6	50.61.0207	1 pce	LF353 Dual Op-Amp JFET SO 8
0	IC 7	50.61.0207	1 pce	LF353 Dual Op-Amp JFET SO 8
0	IC 9	50.61.0207	1 pce	LF353 Dual Op-Amp JFET SO 8
0	MP 1	1.913.293.11	1 pce	VU/PPM/GRM METER PCB
0	MP 2	1.913.109.04	1 pce	STUDER-NR.-ETIKETTE 10 * 20
0	MP 3	43.01.0108	1 pce	Label ESE-Warnschild
0	MP 4	1.913.109.03	4 pcs	DISPLAY UNTERLAGE
0	MP 5	1.010.057.22	1 pce	M3*7.4 Nietmutter sw 6
0	MP 6	1.010.057.22	1 pce	M3*7.4 Nietmutter sw 6
0	P 101	54.11.0125	1p	Pin, 1reihig, winkel
0	P 102	54.11.0125	1p	Pin, 1reihig, winkel
0	P 103	54.11.0125	1p	Pin, 1reihig, winkel
0	P 104	54.11.0125	1p	Pin, 1reihig, winkel
0	P 105	54.11.0125	1p	Pin, 1reihig, winkel
0	P 106	54.11.0125	1p	Pin, 1reihig, winkel
0	P 107	54.11.0125	1p	Pin, 1reihig, winkel
0	P 108	54.11.0125	1p	Pin, 1reihig, winkel
0	P 109	54.11.0125	1p	Pin, 1reihig, winkel
0	P 110	54.11.0125	1p	Pin, 1reihig, winkel
0	P 111	54.11.0125	1p	Pin, 1reihig, winkel
0	P 112	54.11.0125	1p	Pin, 1reihig, winkel
0	P 113	54.11.0125	1p	Pin, 1reihig, winkel
0	P 114	54.11.0125	1p	Pin, 1reihig, winkel
0	P 115	54.11.0125	1p	Pin, 1reihig, winkel
0	P 116	54.11.0125	1p	Pin, 1reihig, winkel
0	P 117	54.11.0125	1p	Pin, 1reihig, winkel
0	P 118	54.11.0125	1p	Pin, 1reihig, winkel
0	P 119	54.11.0125	1p	Pin, 1reihig, winkel
0	P 120	54.11.0125	1p	Pin, 1reihig, winkel
0	P 121	54.11.0125	1p	Pin, 1reihig, winkel
0	P 122	54.11.0125	1p	Pin, 1reihig, winkel
0	P 123	54.11.0125	1p	Pin, 1reihig, winkel
0	P 124	54.11.0125	1p	Pin, 1reihig, winkel
0	P 125	54.11.0125	1p	Pin, 1reihig, winkel
0	P 126	54.11.0125	1p	Pin, 1reihig, winkel
0	P 127	54.11.0125	1p	Pin, 1reihig, winkel
0	P 128	54.11.0125	1p	Pin, 1reihig, winkel
0	P 129	54.11.0125	1p	Pin, 1reihig, winkel
0	P 130	54.11.0125	1p	Pin, 1reihig, winkel
0	P 131	54.11.0125	1p	Pin, 1reihig, winkel
0	P 132	54.11.0125	1p	Pin, 1reihig, winkel
0	P 133	54.11.0125	1p	Pin, 1reihig, winkel
0	P 134	54.11.0125	1p	Pin, 1reihig, winkel
0	P 135	54.11.0125	1p	Pin, 1reihig, winkel
0	P 136	54.11.0125	1p	Pin, 1reihig, winkel
0	R 1	57.60.1222	1 pce	2k2 MF, 1%, 0204, E24
0	R 2	57.60.1223	1 pce	22k MF, 1%, 0204, E24
0	R 4	57.60.1000	1 pce	0R0 MF, 0204
0	R 5	57.60.1222	1 pce	2k2 MF, 1%, 0204, E24
0	R 6	57.60.1222	1 pce	2k2 MF, 1%, 0204, E24
0	R 7	57.60.1223	1 pce	22k MF, 1%, 0204, E24
0	R 9	57.60.1000	1 pce	0R0 MF, 0204
0	R 11	57.60.1000	1 pce	0R0 MF, 0204
0	R 18	57.60.1682	1 pce	6k8 MF, 1%, 0204, E24
0	R 19	57.60.1682	1 pce	6k8 MF, 1%, 0204, E24
0	R 20	57.60.1330	1 pce	33R MF, 1%, 0204, E24
0	R 21	57.60.1122	1 pce	1k2 MF, 1%, 0204, E24
0	R 22	57.60.1102	1 pce	1k0 MF, 1%, 0204, E24
0	R 23	57.60.1512	1 pce	5k1 MF, 1%, 0204, E24
0	R 24	57.60.1512	1 pce	5k1 MF, 1%, 0204, E24
0	R 50	57.92.7012	1 pce	0.3A PTC 60V
0	R 53	57.60.1223	1 pce	22k MF, 1%, 0204, E24
0	R 61	57.60.1682	1 pce	6k8 MF, 1%, 0204, E24
0	R 62	57.60.1223	1 pce	22k MF, 1%, 0204, E24
0	R 63	57.60.1222	1 pce	2k2 MF, 1%, 0204, E24
0	R 64	57.60.1223	1 pce	22k MF, 1%, 0204, E24
0	R 65	57.60.1105	1 pce	1M0 MF, 1%, 0204, E24
0	R 66	57.60.1103	1 pce	10k MF, 1%, 0204, E24
0	R 67	57.60.1103	1 pce	10k MF, 1%, 0204, E24
0	R 68	57.60.1000	1 pce	0R0 MF, 0204
0	R 69	57.60.1000	1 pce	0R0 MF, 0204
0	RA 5	58.01.9502	1 pce	5k0 Cermet, 10%, 0.5W, vertical
0	RA 6	58.01.9103	1 pce	10k Cermet, 10%, 0.5W, vertical
0	TP 1	54.02.0471	1 pce	Stift d 1.5 * 5.5 lötl
0	TP 2	54.02.0471	1 pce	Stift d 1.5 * 5.5 lötl
0	TP 3	54.02.0471	1 pce	Stift d 1.5 * 5.5 lötl
0	TP 4	54.02.0471	1 pce	Stift d 1.5 * 5.5 lötl

Idx. Pos.	Part No.	Qty.	Type/Val.	Description
0	TP 8	54.02.0471	1 pce	Stift d 1.5 * 5.5 lötl
0	TP 9	54.02.0471	1 pce	Stift d 1.5 * 5.5 lötl
0	TP 10	54.02.0471	1 pce	Stift d 1.5 * 5.5 lötl
0	TP 11	54.02.0471	1 pce	Stift d 1.5 * 5.5 lötl

End of List

Comments: