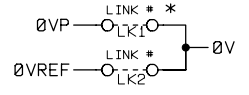
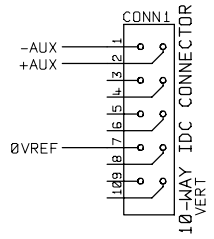
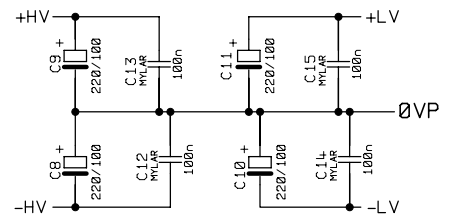
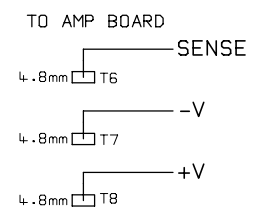
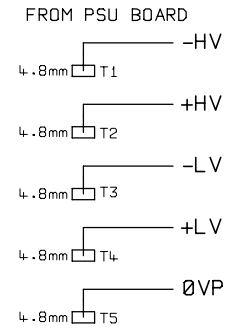
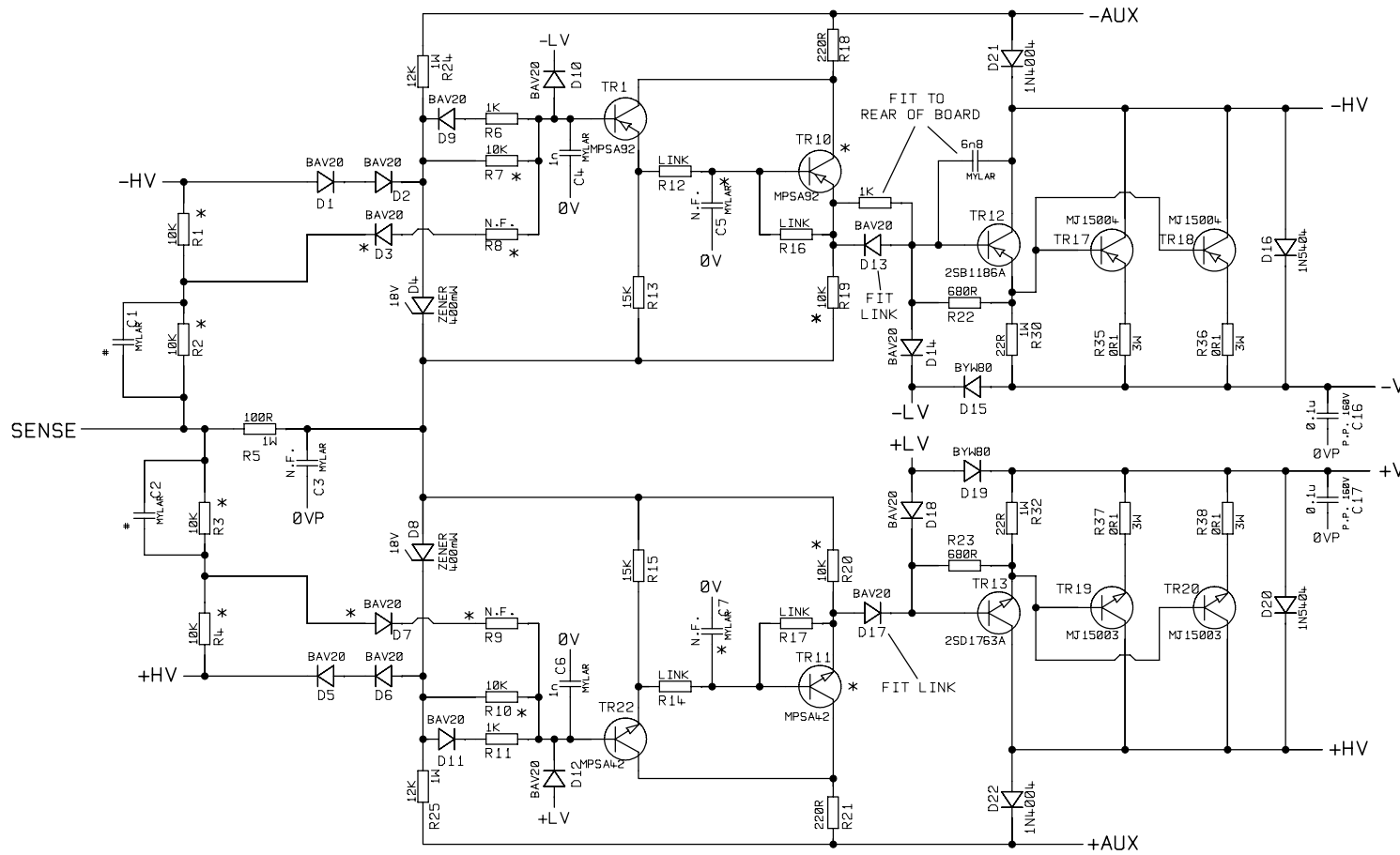


NOTE: VOLTAGES MEASURED AT 230V A.C. SUPPLY

REV1 = R4.5, R4.8 39k 5% REMOVED.
R4.7, R50 CHANGED FROM 220R 5% TO 220R 5% FUSIBLE

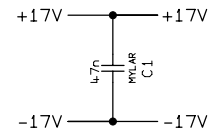
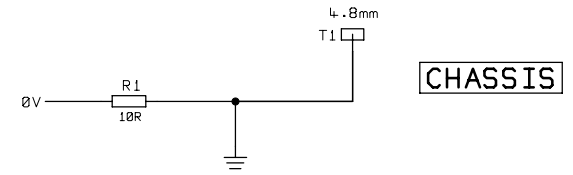
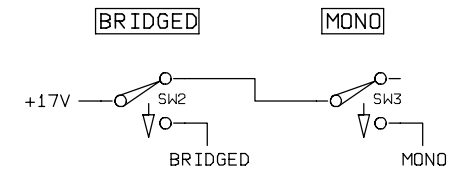
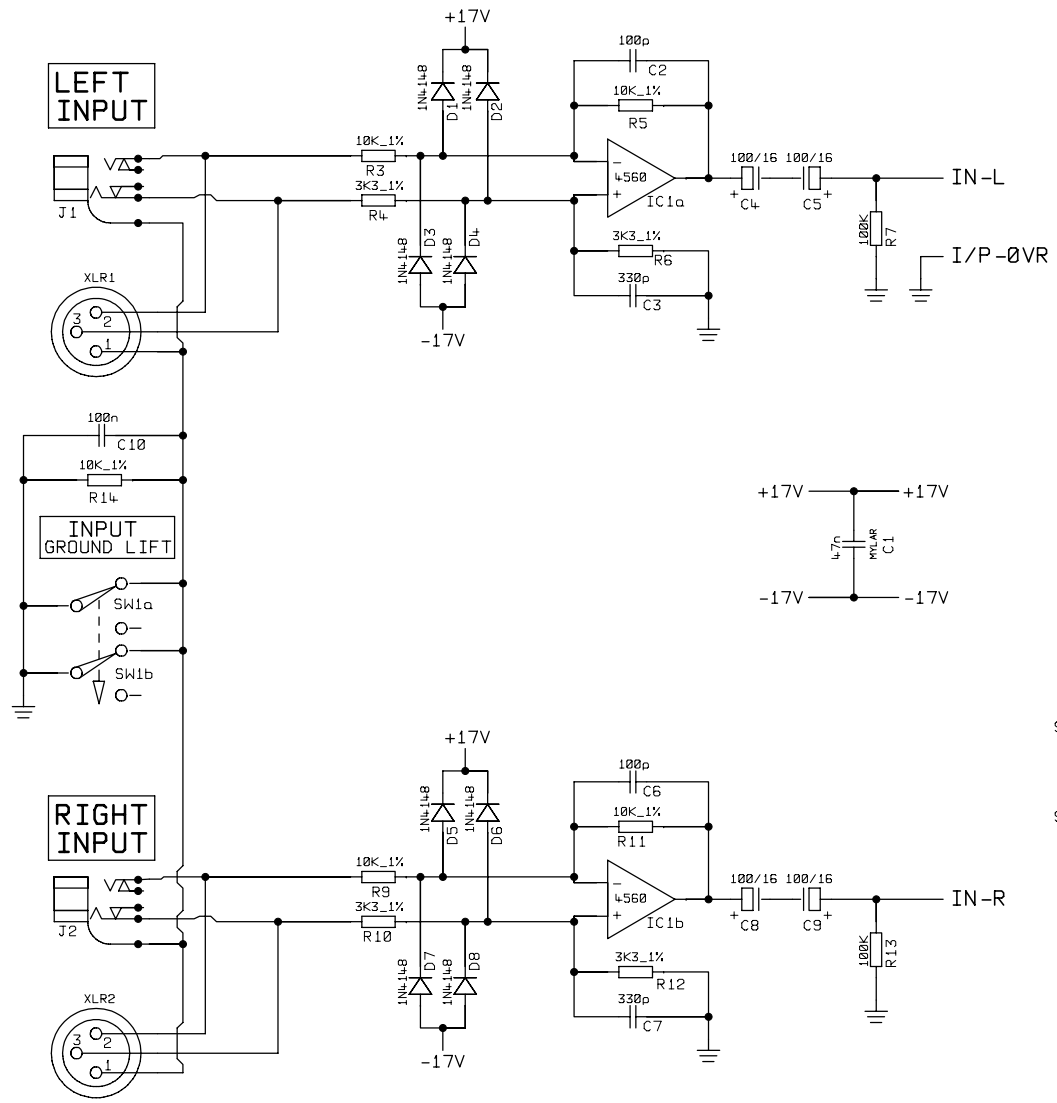
REV2 = 1500E ADDED TO RANGE, R4.6&R4.9 CHANGED FROM 3K3_1% TO 27K
R4.7&R50 CHANGED FROM F220R TO F1K (FUSIBLE)
R35, R36, R37, R38 CHANGED FROM 0R15 ROX55 TO 0R12 ROX55

STUDIOMASTER DIAMOND LTD		TITLE		AMPLIFIER AMP CIRCUIT		FILE NAME	
PRODUCT		1200D 1500E PHH		PART 1 OF 1		R2C5-4.DGM	
VERSIONS		ALL MODELS		DRN BY		P.A. DATE	
						06-09-99	
						ISSUE No	
						R2C5-4	
						REV2	

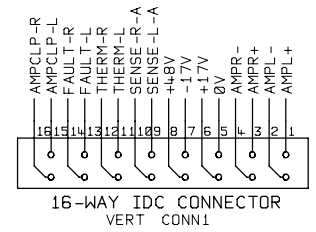
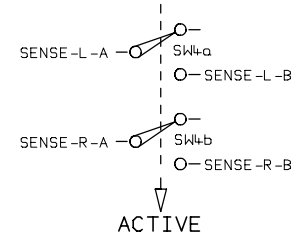


* = NOT FITTED COMPONENTS

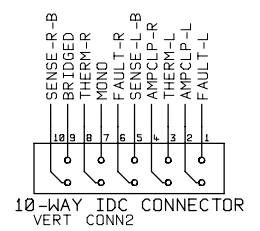
STUDIOMASTER DIAMOND LTD				TITLE	AMP SWITCHING CIRCUIT			FILE NAME	R2C13-1.DGM
PRODUCT	PH HORIZON 1200D			PART 1 OF 1				ISSUE No	R2C13-1
VERSIONS	1208	1216	1500E	DRN BY	P.A.	DATE	03-07-97	REV1	



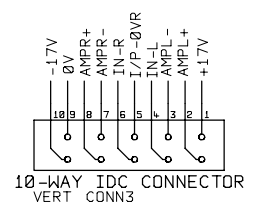
LIMITER



TO PSU



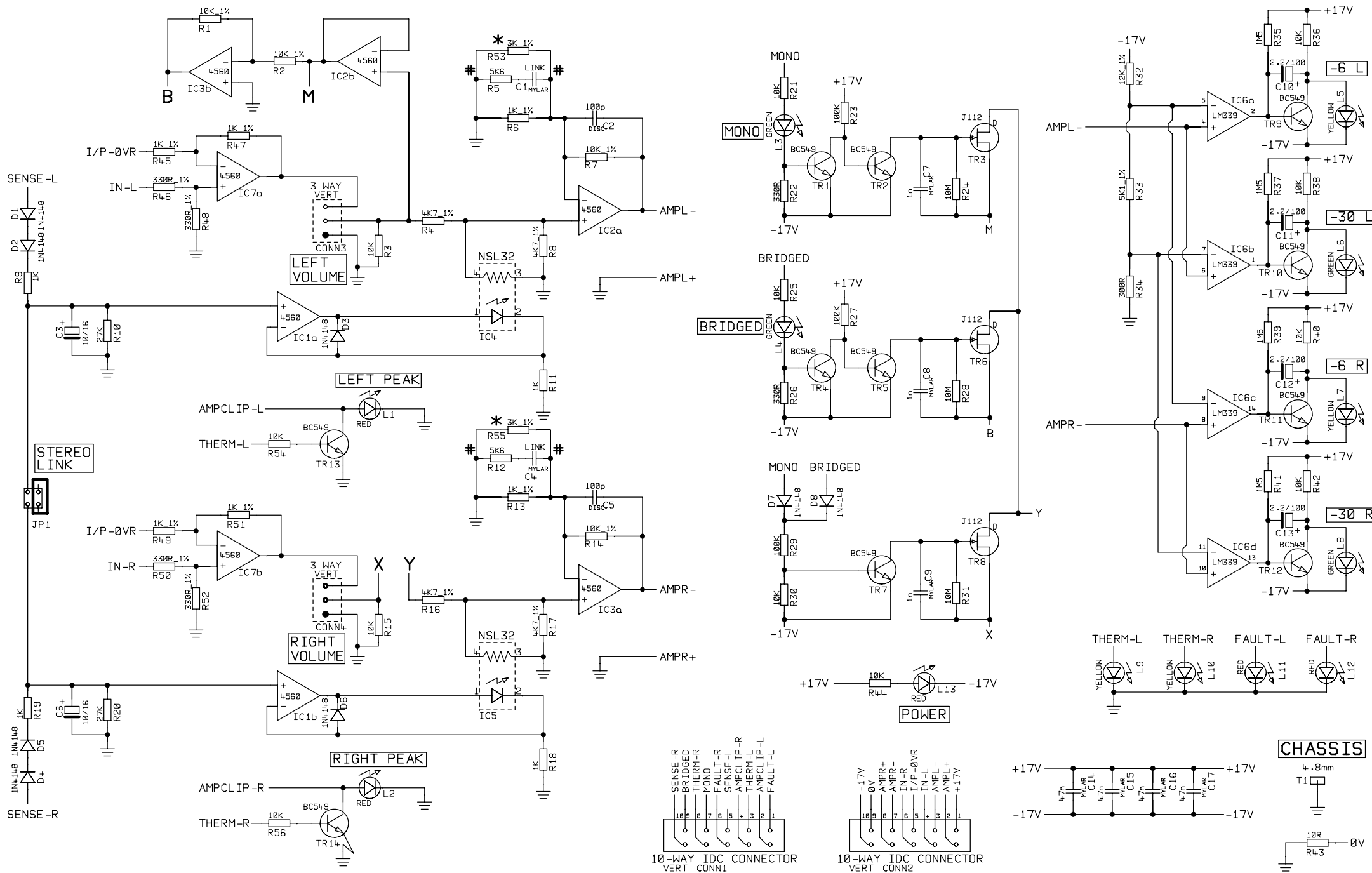
TO DISPLAY CONN1



TO DISPLAY CONN2

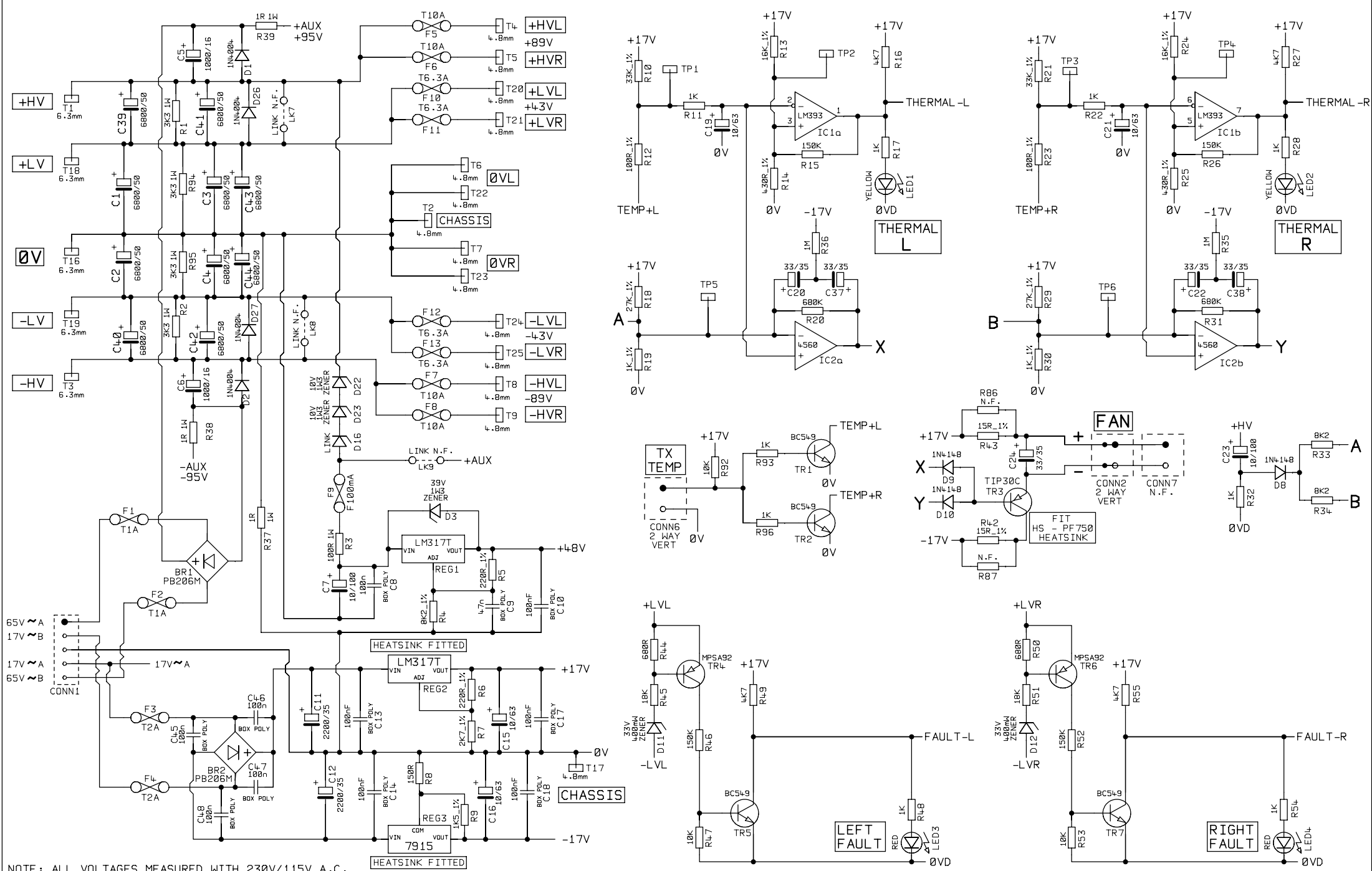
4 = LIMITER SWITCH SW4 RE-LABELLED WITH SENSE-L / SENSE-R
WAS AMPCLP-L / AMPCLP-R

STUDIOMASTER DIAMOND LTD		TITLE		INPUT CIRCUIT DIAGRAM		FILE NAME	
PRODUCT		700D, 1200D, 1600D		PART 1 OF 1		R2C14-4.DGM	
900E, 1500E, 2000E		DRN BY		P.A.		DATE	
						25-01-99	
						ISSUE No	
						R2C14-4	



NOTE: JUMPER POSITION JP1 IS MARKED IN FACTORY PRESET POSITION (1500E/2000E)
 NOTE: * = FIT COMPONENTS ON 12 & 1600D VERSION ONLY
 NOTE: # = FIT LINK IN POSITIONS C1 & C4 ON 1600D/2000E VERSION ONLY
 NOTE: # = FIT COMPONENTS R5 & R12 (5K6) ON 1600D/2000E VERSION ONLY

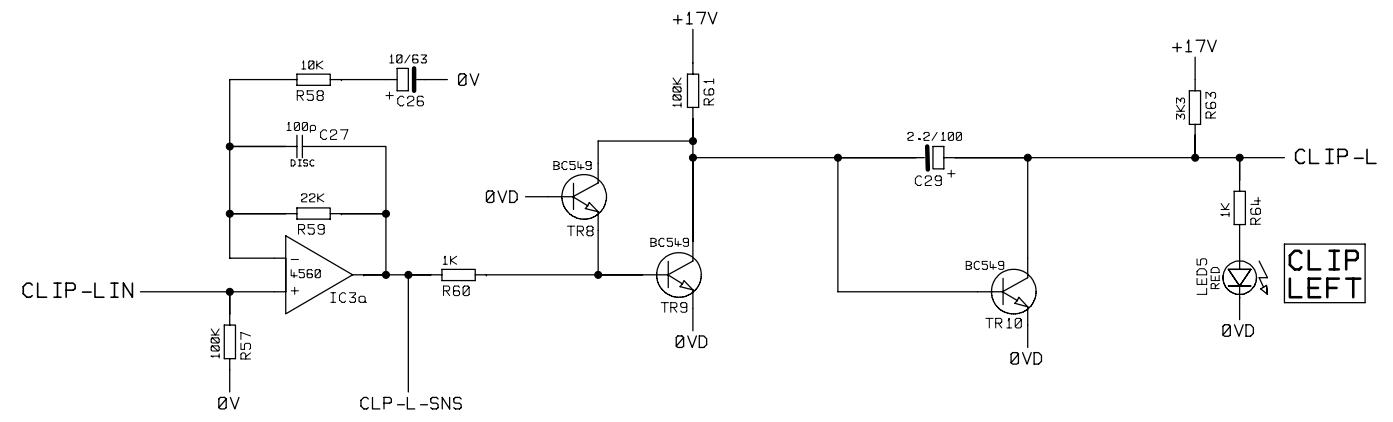
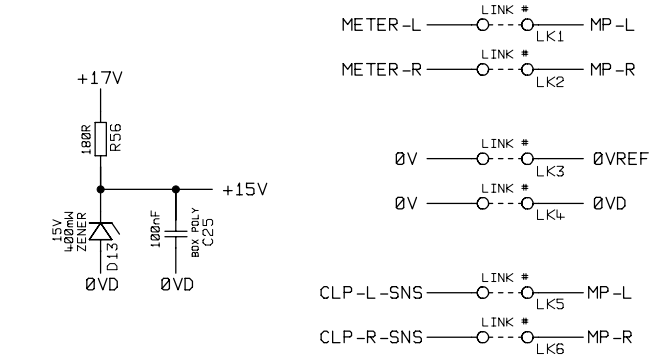
STUDIOMASTER DIAMOND LTD		TITLE		DISPLAY PCB CIRCUIT		FILE NAME	
PRODUCT		700D, 1200D, 1600D		PART 1 OF 1		R2C15-2.DGM	
		900E, 1500E, 2000E		DRN BY		P.A. DATE 18-07-97	
						ISSUE No	
						R2C15-2	



NOTE: ALL VOLTAGES MEASURED WITH 230V/115V A.C.

REV A - R14 & R25 CHANGED FROM 390R_1% TO 430R_1%
R13 & R24 CHANGED FROM 15K_1% TO 16K_1%

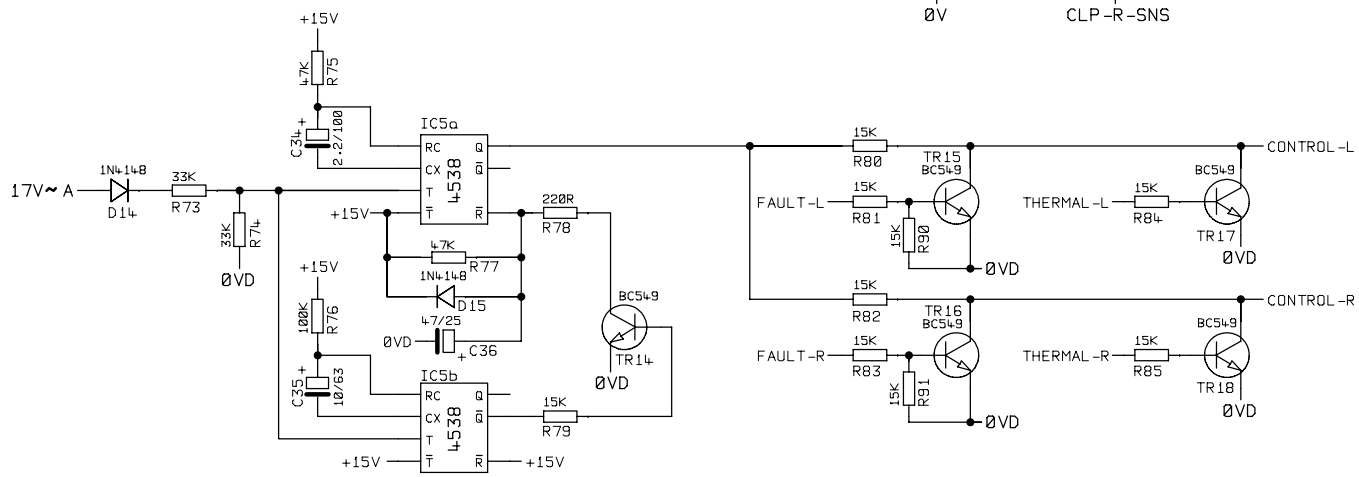
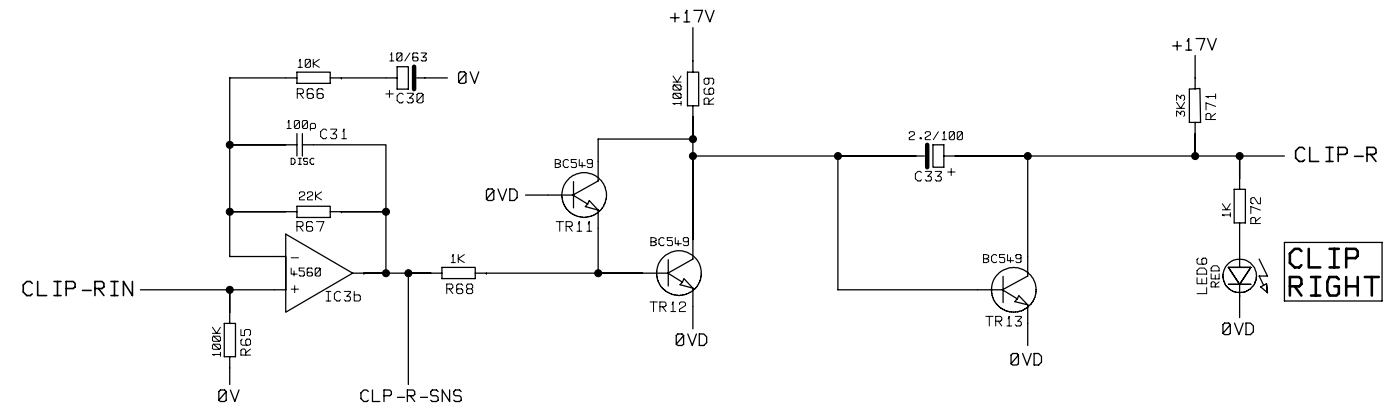
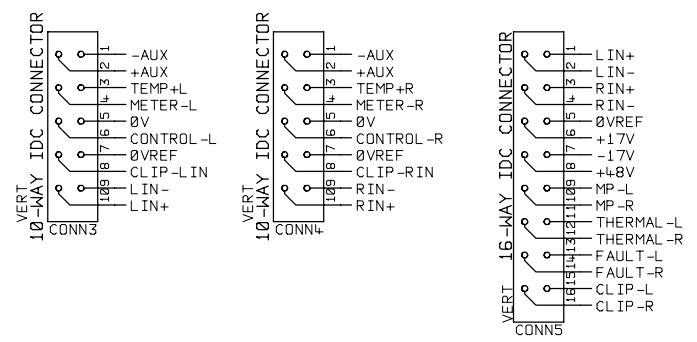
STUDIOMASTER DIAMOND LTD		TITLE	AMPLIFIER PSU CIRCUIT		FILE NAME
PRODUCT	HORIZON/1200D/1500E	PART 1 OF 2			R2C1A-4.DGM
VERSIONS	ALL	DRN BY	P.A.	DATE	22-09-99
					ISSUE No
					R2C1A-4
					REV A



TO LEFT AMP

TO RIGHT AMP

TO IN-OUT BOARD



STUDIOMASTER DIAMOND LTD		TITLE	AMPLIFIER PSU CIRCUIT		FILE NAME	R2C1B-4.DGM	
PRODUCT	HORIZON/1200D/1500E	PART 2 OF 2			ISSUE No	R2C1B-4	
VERSIONS	ALL	DRN BY	P.A.	DATE	22-09-99	REV A	