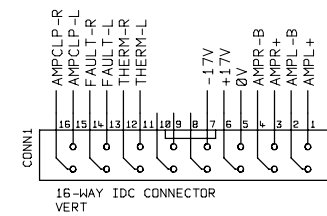
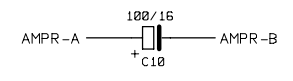
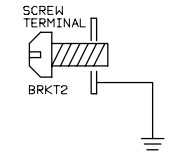
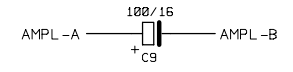
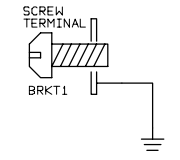
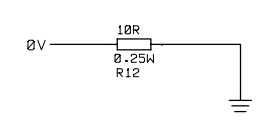
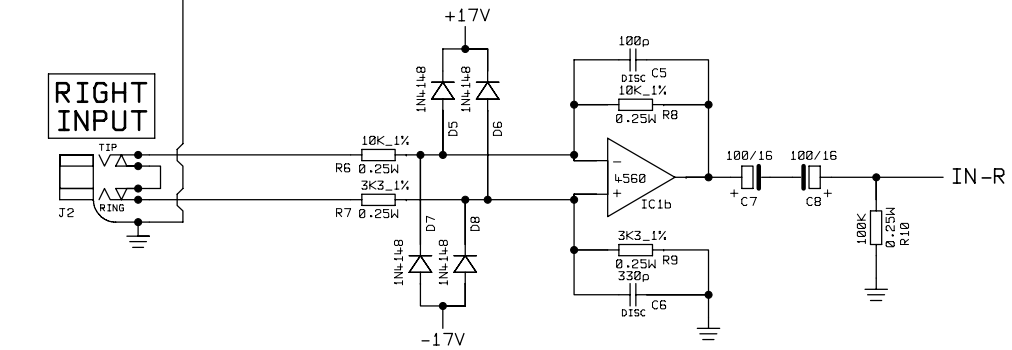
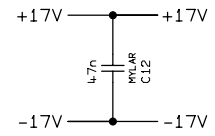
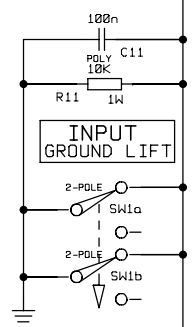
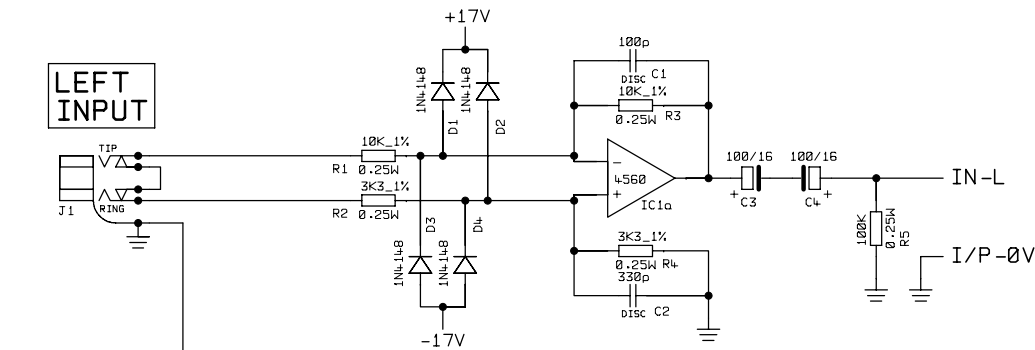


NOTE: VOLTAGES MEASURED AT 230V A.C. SUPPLY

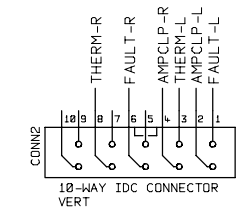
REV1 = R45, R48 39k 5% REMOVED.
R47, R50 CHANGED FROM 220R 5% TO 220R 5% FUSIBLE

REV2 = 1500E ADDED TO RANGE, R46&R49 CHANGED FROM 3K3_1% TO 27K
R47&R50 CHANGED FROM F220R TO F1K (FUSIBLE)
R35, R36, R37, R38 CHANGED FROM 0R15 ROX55 TO 0R12 ROX55

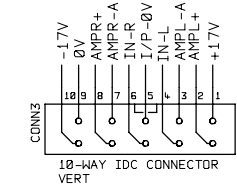
STUDIOMASTER DIAMOND LTD		TITLE		AMPLIFIER AMP CIRCUIT		FILE NAME	
PRODUCT		1200D 1500E PHH		PART 1 OF 1		R2C5-4.DGM	
VERSIONS		ALL MODELS		DRN BY		P.A. DATE 06-09-99	
						ISSUE No	
						R2C5-4	
						REV2	



TO PSU

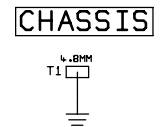
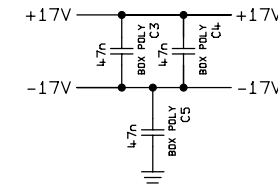
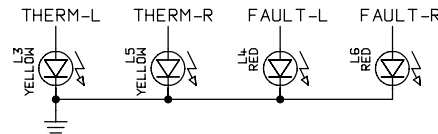
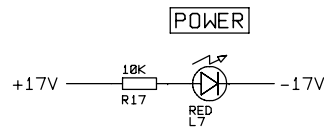
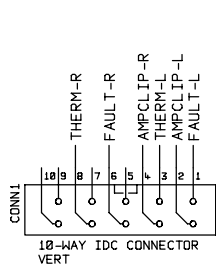
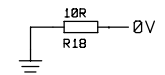
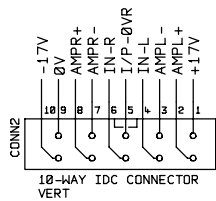
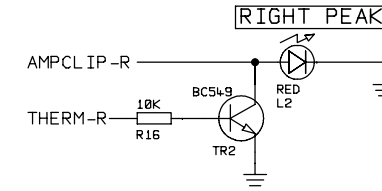
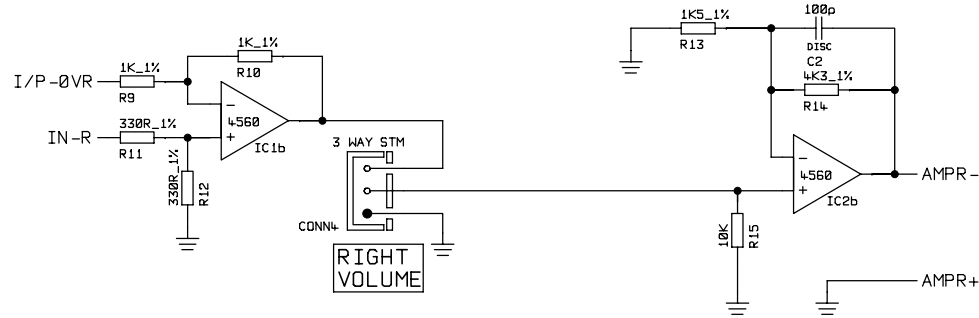
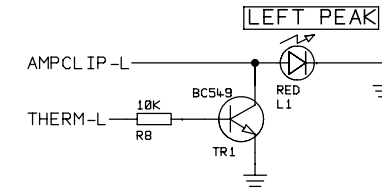
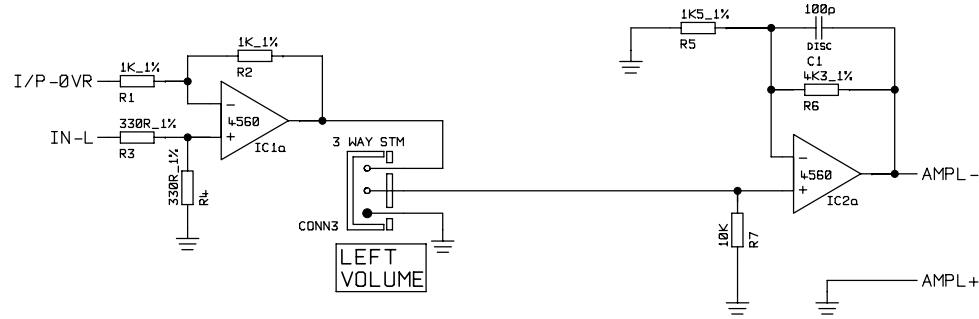


TO DISPLAY CONN1

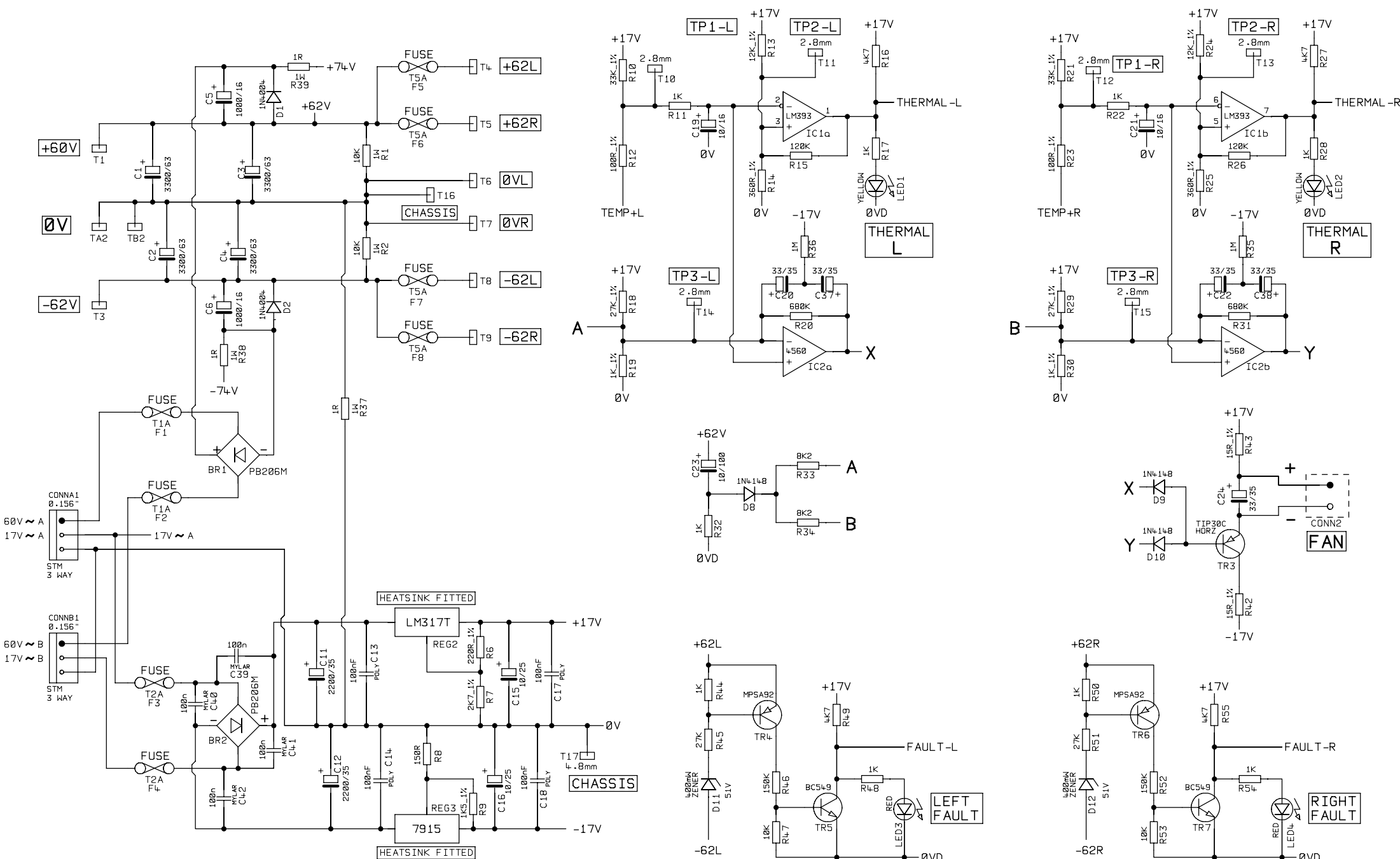


TO DISPLAY CONN2

STUDIOMASTER DIAMOND LTD		TITLE		INPUT CIRCUIT DIAGRAM		FILE NAME	
PRODUCT		600E		PART 1 OF 1		R2C16-1.DGM	
VERSIONS				DRN BY		P.A. DATE 20-01-00	
						ISSUE No	
						R2C16-1	



STUDIOMASTER DIAMOND LTD		TITLE		DISPLAY PCB CIRCUIT		FILE NAME		R2C23-1.DGM	
PRODUCT	600E	PART 1 OF 1				ISSUE No			
VERSIONS		DRN BY	P.A.	DATE	23-06-99	R2C23-1			



NOTE: VOLTAGES MEASURED AT 230V/115V A.C. SUPPLY

REV A: R14.25 FROM 330R TO 360R 1% (270999)

STUDIOMASTER DIAMOND LTD		TITLE	AMPLIFIER PSU CIRCUIT		FILE NAME	R2C24A-1.DGM	
PRODUCT	600E	PART 1 OF 2		ISSUE No		R2C24A-1	
VERSIONS		DRN BY	P.A.	DATE	27-09-99		
						REV A	

