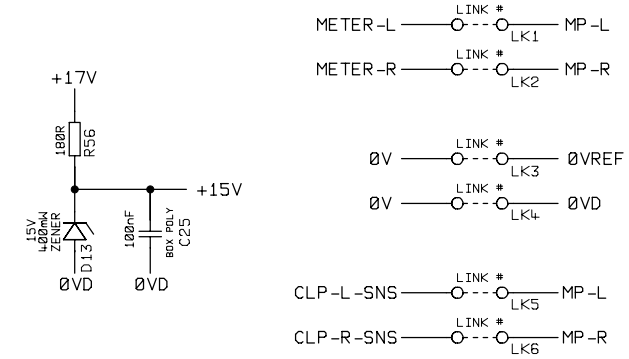


NOTE: ALL VOLTAGES MEASURED WITH 230V/115V A.C.

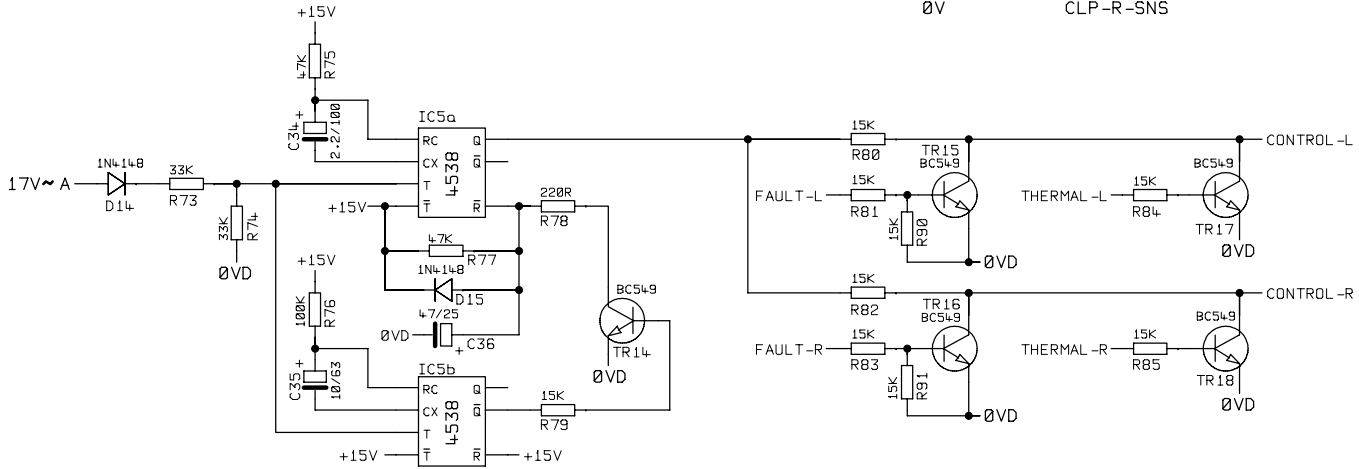
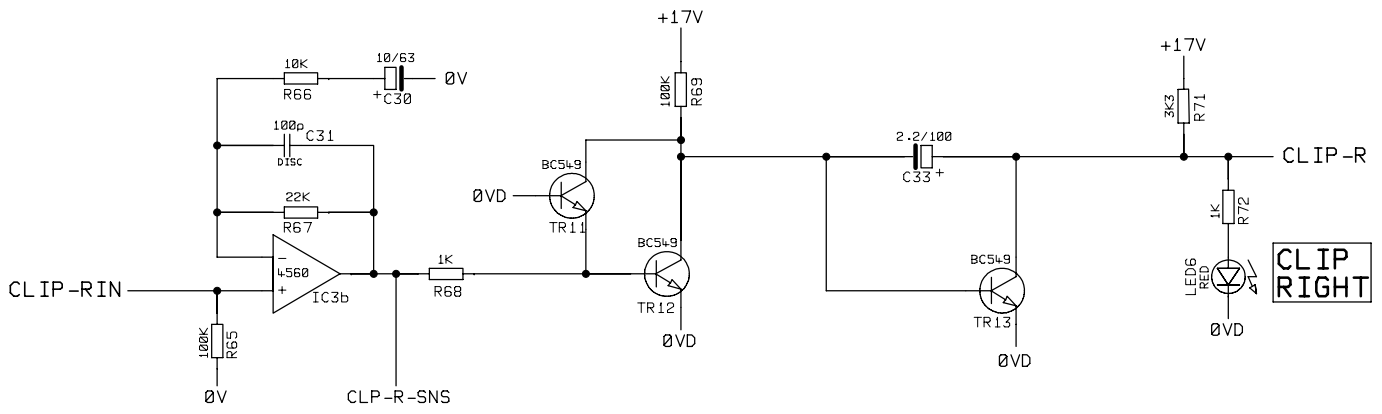
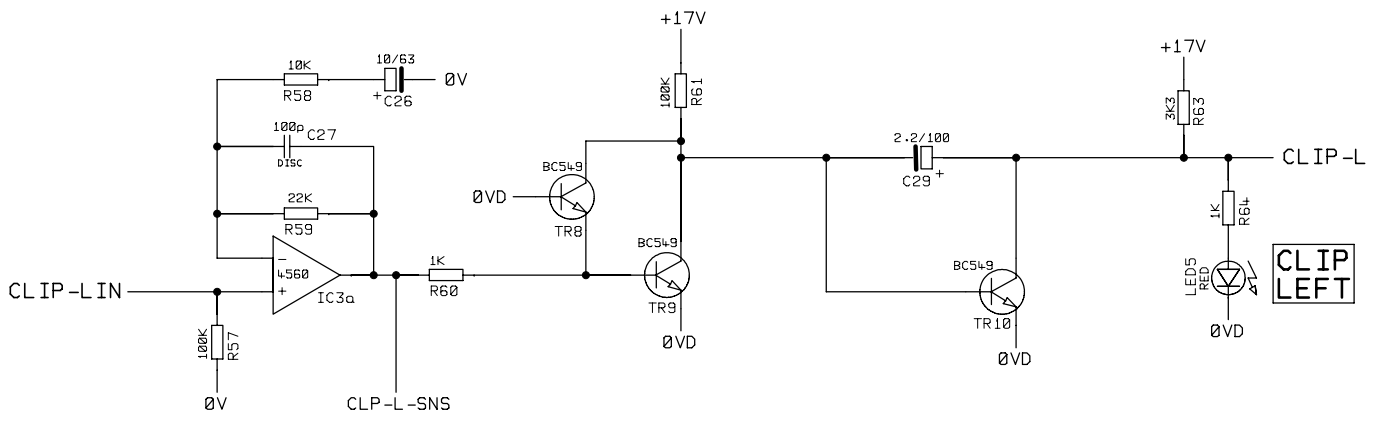
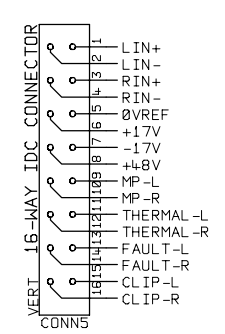
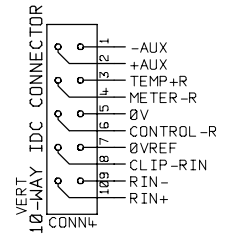
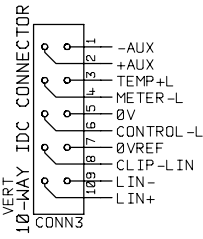
STUDIOMASTER DIAMOND LTD		TITLE	AMPLIFIER PSU CIRCUIT		FILE NAME
PRODUCT	VISION. FOCUS. 700D	PART 1 OF 2			R2C1C-4.DGM
VERSIONS	ALL	900E	DRN BY	P.B.	DATE
					09-06-99
					ISSUE No
					R2C1C-4



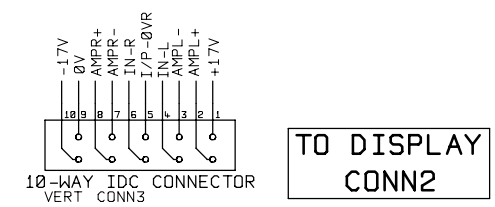
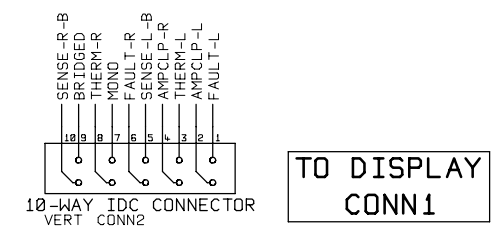
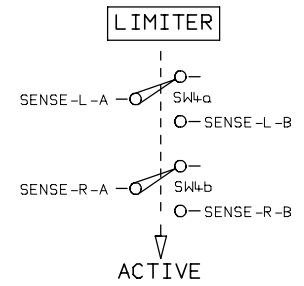
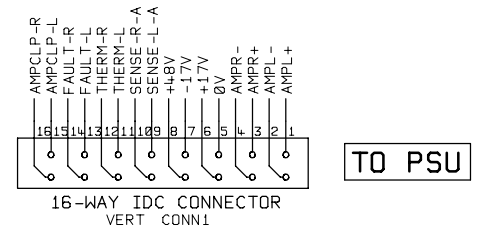
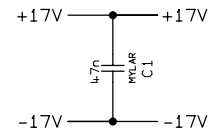
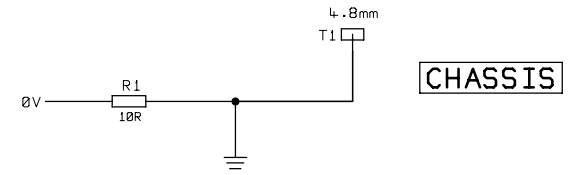
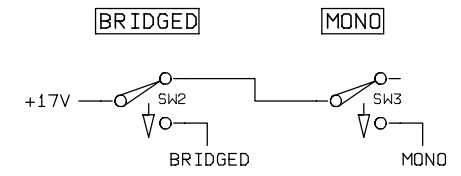
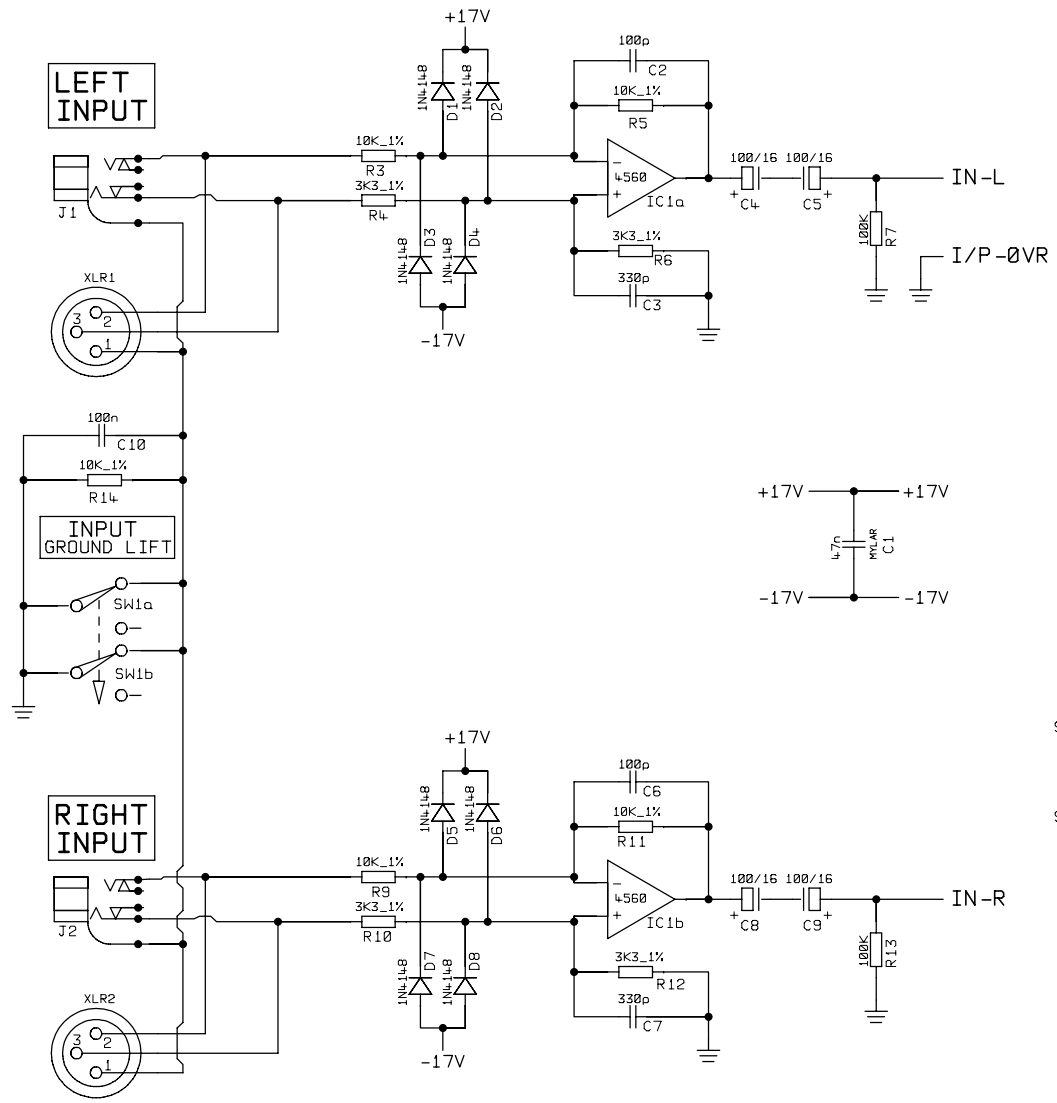
TO LEFT AMP

TO RIGHT AMP

TO IN-OUT BOARD

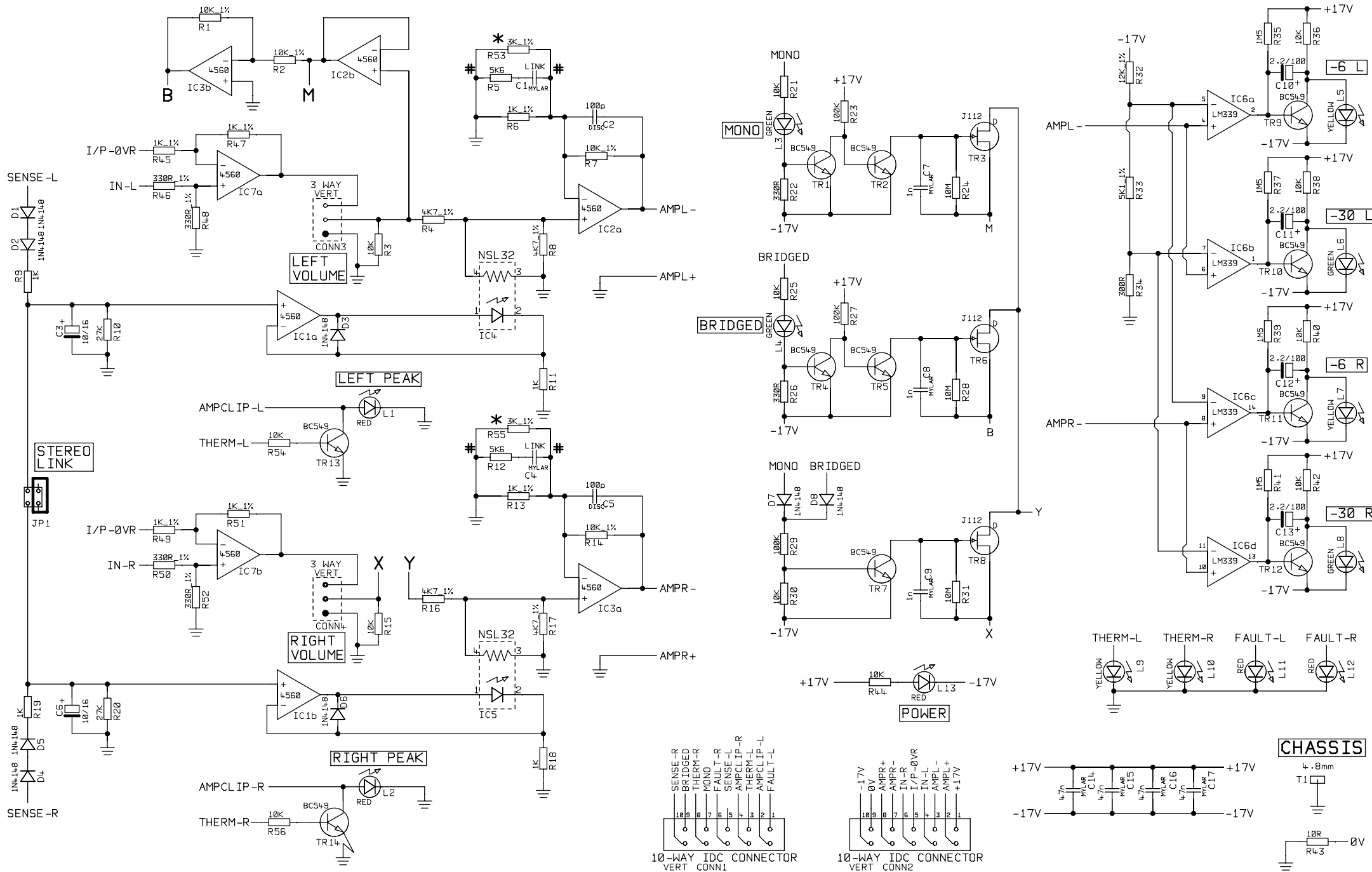


STUDIOMASTER DIAMOND LTD		TITLE	AMPLIFIER PSU CIRCUIT		FILE NAME	R2C1D-4.DGM	
PRODUCT	FOCUS, VISION, 700D	PART 2 OF 2			ISSUE No	R2C1D-4	
VERSIONS	ALL	900E	DRN BY	P.B.	DATE	03-06-99	



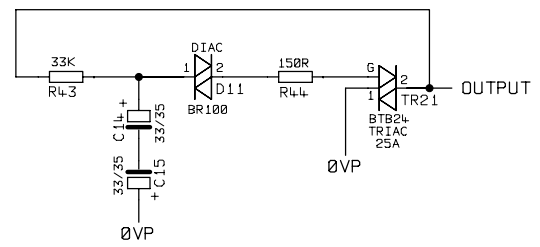
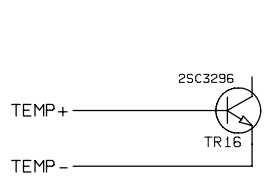
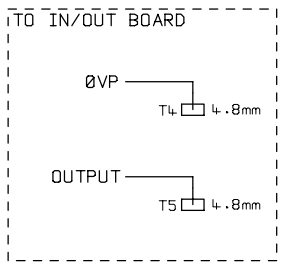
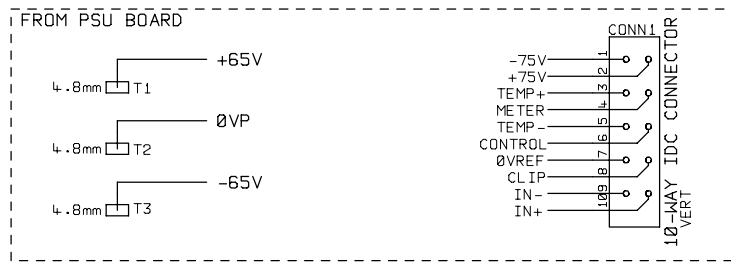
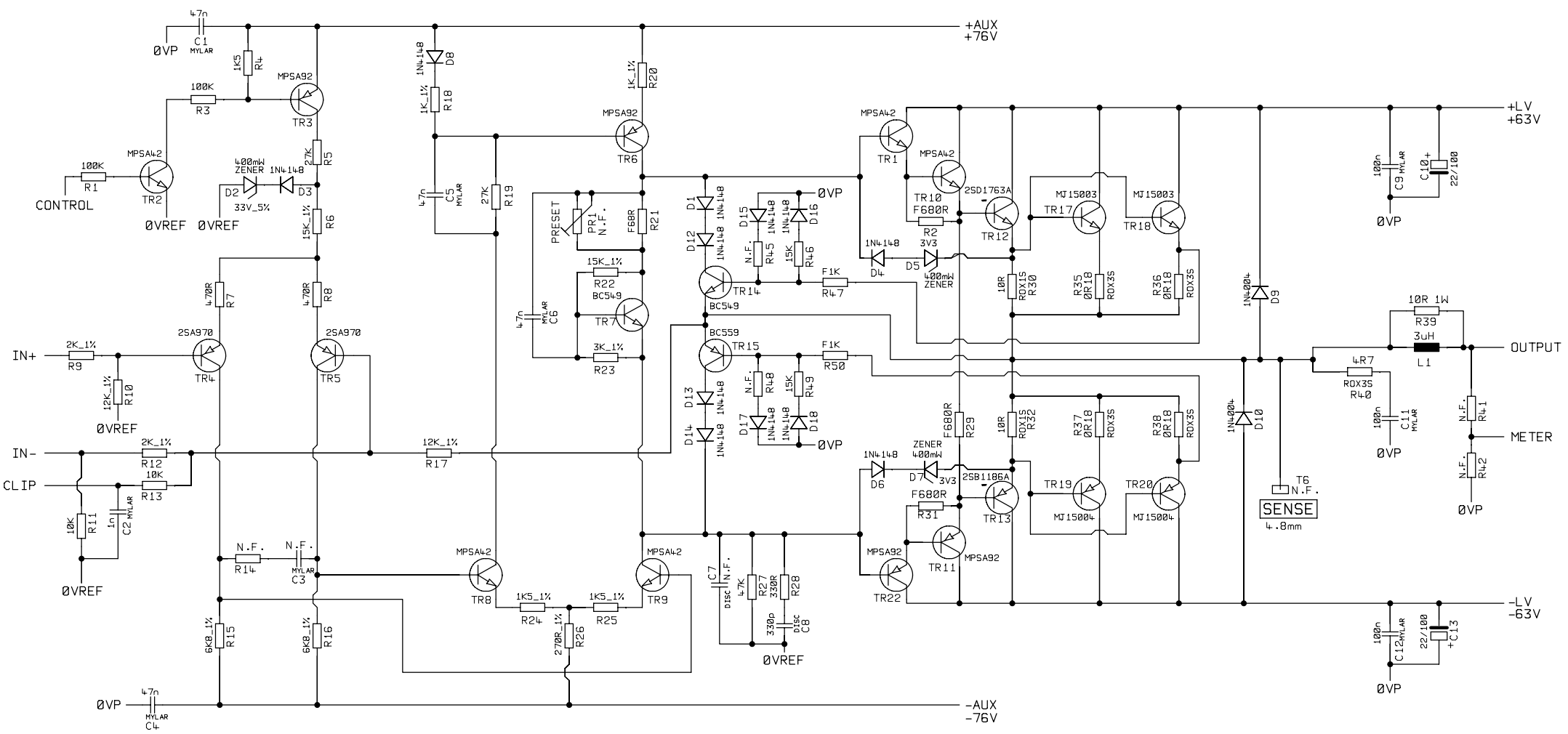
4 = LIMITER SWITCH SW4 RE-LABELLED WITH SENSE-L / SENSE-R
WAS AMPCLP-L / AMPCLP-R

STUDIOMASTER DIAMOND LTD		TITLE		INPUT CIRCUIT DIAGRAM		FILE NAME	
PRODUCT		700D, 1200D, 1600D		PART 1 OF 1		R2C14-4.DGM	
		900E, 1500E, 2000E		DRN BY		ISSUE No	
				P.A.		R2C14-4	
				DATE		25-01-99	



NOTE: JUMPER POSITION JP1 IS MARKED IN FACTORY PRESET POSITION (1500E/2000E)
 NOTE: * = FIT COMPONENTS ON 12 & 1600D VERSION ONLY
 NOTE: # = FIT LINK IN POSITIONS C1 & C4 ON 1600D /2000E VERSION ONLY
 NOTE: # = FIT COMPONENTS R5 & R12 (5K6) ON 1600D /2000E VERSION ONLY

STUDIOMASTER DIAMOND LTD		TITLE		DISPLAY PCB CIRCUIT		FILE NAME	
PRODUCT		700D, 1200D, 1600D		PART 1 OF 1		R2C15-2.DGM	
		900E, 1500E, 2000E		DRN BY		P.A. DATE 18-07-97	
						ISSUE No	
						R2C15-2	



NOTE: VOLTAGES MEASURED AT 230V A.C. SUPPLY

REV3 = R47 & R50 CHANGED FROM 220R 5% TO 220R 5% FUSIBLE
 R4 CHANGED FROM 1K2 5% TO 1K5 5%

REV4 = R45, R48 33k 5% REMOVED
 R46, R49 CHANGED FROM 5K6 TO 2K7 5%

REV5 = 900E ADDED TO RANGE, R46 & R49 CHANGED FROM 2K7 TO 15K
 R47 & R50 CHANGED FROM F220R TO F1K (FUSIBLE),
 R35, R36, R37, R38 CHANGED FROM 0R22 ROX35 TO 0R18 ROX35

STUDIOMASTER DIAMOND LTD		TITLE		AMPLIFIER AMP CIRCUIT		FILE NAME		R1C5-4.DGM	
PRODUCT		700D 900E PHV PHF		PART 1 OF 1		ISSUE No		R1C5-4	
VERSIONS		ALL MODELS		DRN BY		P.A.		DATE	
								06-09-99	
								REV5	