

REV A - R17, R18, R22, R23 FROM 1K to 1K3

PIN OUTS FOR ALL OPAMPS	
GROUP A	GROUP B
1 = 0/P	8 = +17V
2 = -	7 = 0/P
3 = +	5 = -
4 = -17V	6 = +

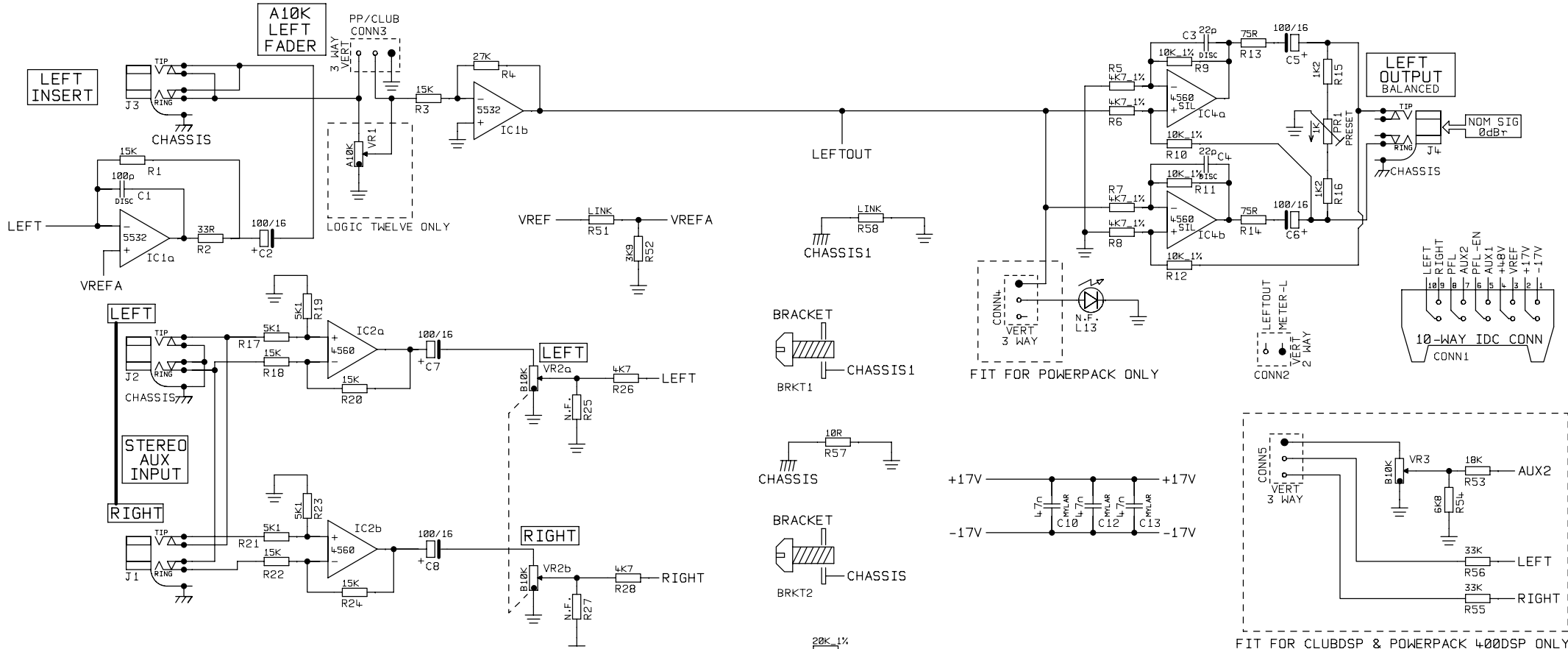
NOTE - ALL RESISTORS ARE 0.125W TYPE

STUDIOMASTER DIAMOND LTD

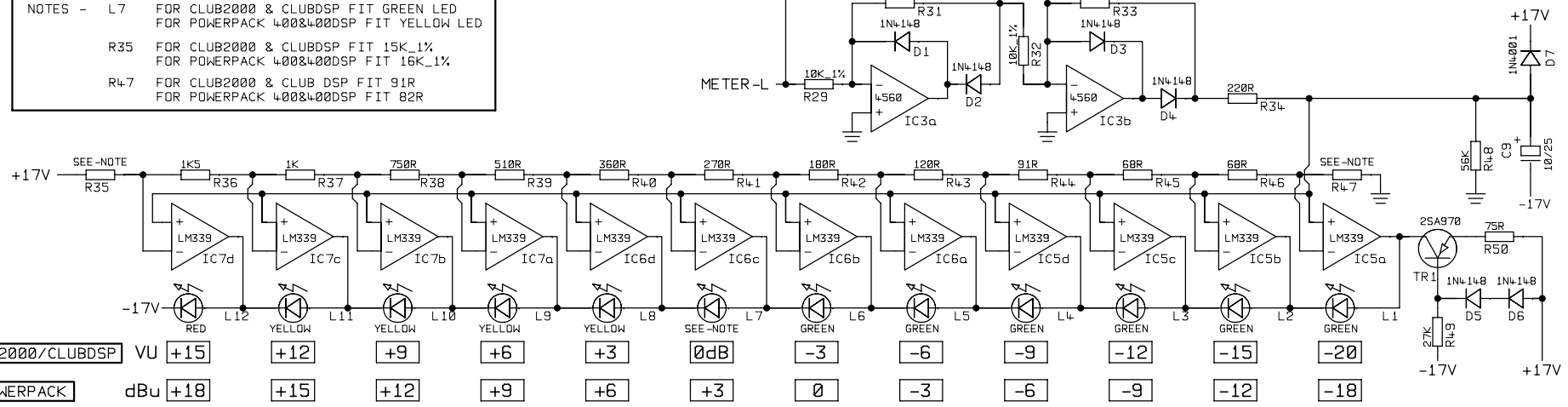
PRODUCT	MODEL
LOGIC 12	ALL
CLUB2000	ALL
CLUBDSP	ALL
POWERPACK	400 400DSP

TITLE	STEREO INPUT
PART 1 OF 1	
DRN BY	P.A.
DATE	01-03-99

FILE NAME	R7C2-2.DGM
ISSUE No	9607045-2
REV A	

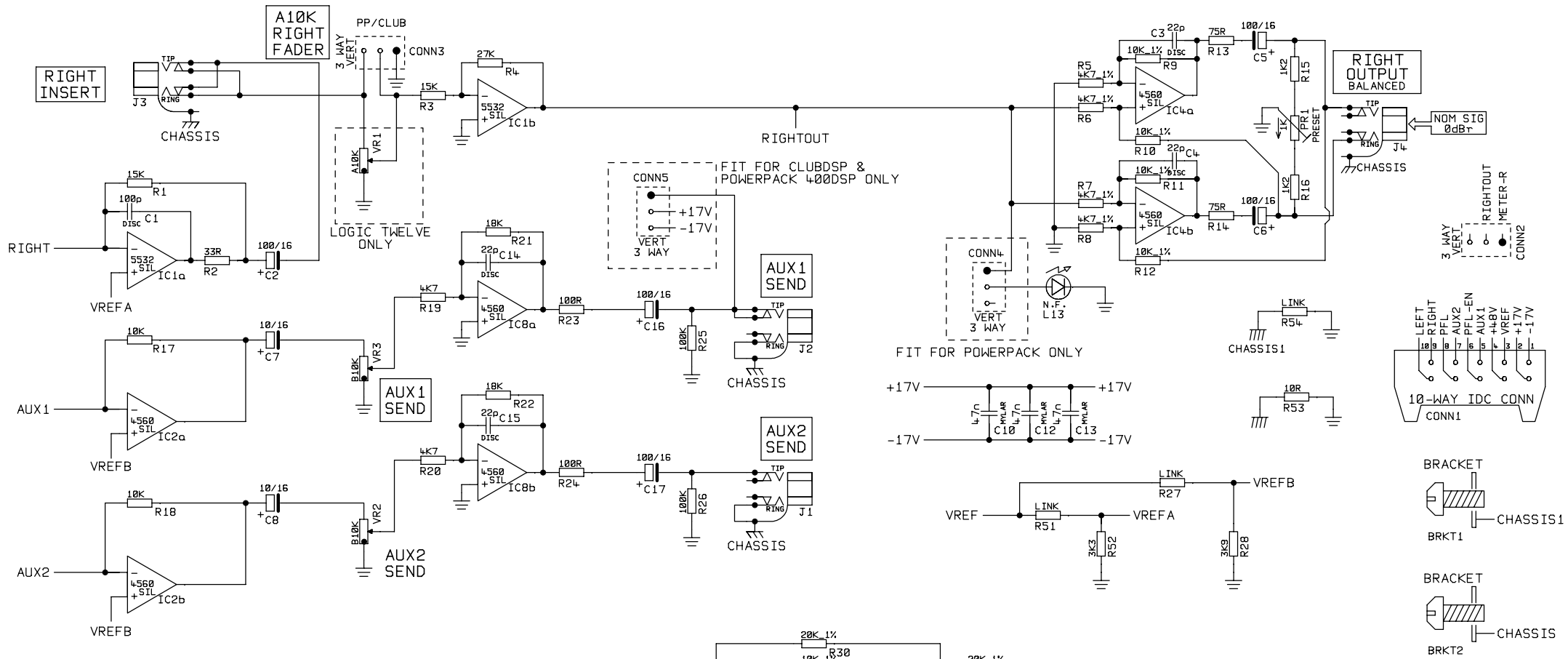


NOTES - L7 FOR CLUB2000 & CLUBDSP FIT GREEN LED
 FOR POWERPACK 400&400DSP FIT YELLOW LED
 R35 FOR CLUB2000 & CLUBDSP FIT 15K_1%
 FOR POWERPACK 400&400DSP FIT 16K_1%
 R47 FOR CLUB2000 & CLUB DSP FIT 91R
 FOR POWERPACK 400&400DSP FIT 82R

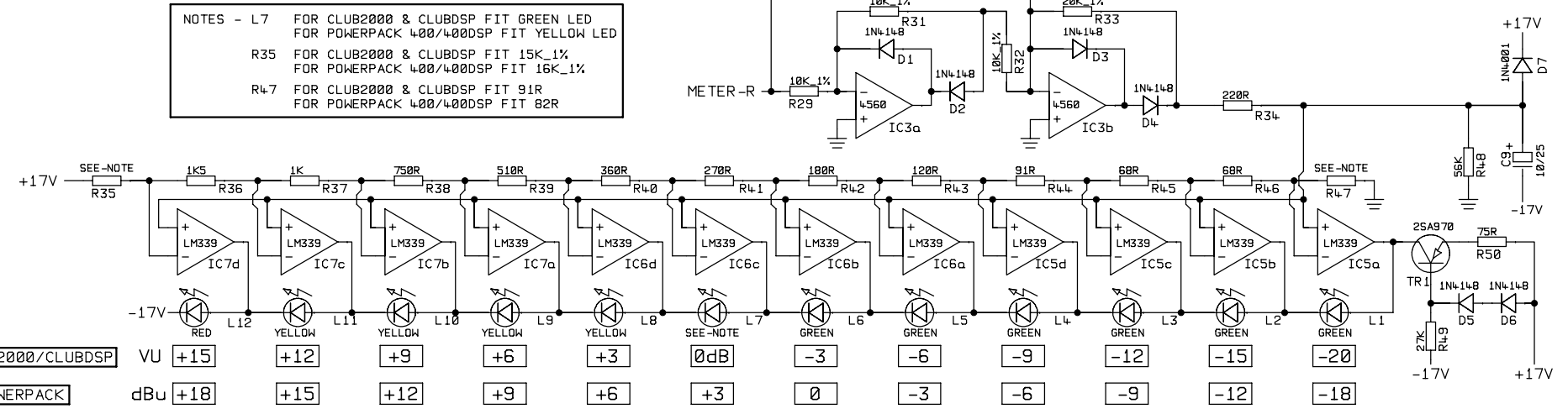


1	=	O/P	=	GRPB
2	=	O/P	=	GRPA
3	=	+17V		
4	=	+	=	GRPA
5	=	+	=	GRPB
6	=	+	=	GRPC
7	=	+	=	GRPD
8	=	+	=	GRPB
9	=	+	=	GRPC
10	=	+	=	GRPD
11	=	+	=	GRPD
12	=	-17V		
13	=	O/P	=	GRPD
14	=	O/P	=	GRPC

CLUB2000/CLUBDSP	VU	+15	+12	+9	+6	+3	0dB	-3	-6	-9	-12	-15	-20
POWERPACK	dBu	+18	+15	+12	+9	+6	+3	0	-3	-6	-9	-12	-18



NOTES - L7 FOR CLUB2000 & CLUBDSP FIT GREEN LED
 FOR POWERPACK 400/400DSP FIT YELLOW LED
 R35 FOR CLUB2000 & CLUBDSP FIT 15K_1%
 FOR POWERPACK 400/400DSP FIT 16K_1%
 R47 FOR CLUB2000 & CLUBDSP FIT 91R
 FOR POWERPACK 400/400DSP FIT 82R



1	=	O/P	=	GRPB
2	=	O/P	=	GRPA
3	=	+17V		
4	=	+	=	GRPA
5	=	+	=	GRPA
6	=	+	=	GRPB
7	=	+	=	GRPB
8	=	+	=	GRPC
9	=	+	=	GRPC
10	=	+	=	GRPD
11	=	+	=	GRPD
12	=	-17V		
13	=	O/P	=	GRPD
14	=	O/P	=	GRPC

REV B - FOR POWERPACK 400 & 400DSP CHANGE
 L7 FROM GREEN TO YELLOW
 R35 FROM 15K_1% TO 16K_1%
 R47 FROM 91R TO 82R

REV A - C1 FROM 47P TO 100P

GROUP A		GROUP B		
1	=	8	=	+17V
2	=	7	=	O/P
3	=	6	=	+
4	=	5	=	-17V

NOTE - ALL RESISTORS ARE 0.125W TYPE
 0dB_T = +4dBu

STUDIOMASTER DIAMOND LTD

PRODUCT: LOGIC 12
 CLUB2000
 CLUBDSP
 POWERPACK

MODEL: ALL
 ALL
 ALL
 400 400DSP

TITLE: **RIGHT OUTPUT**

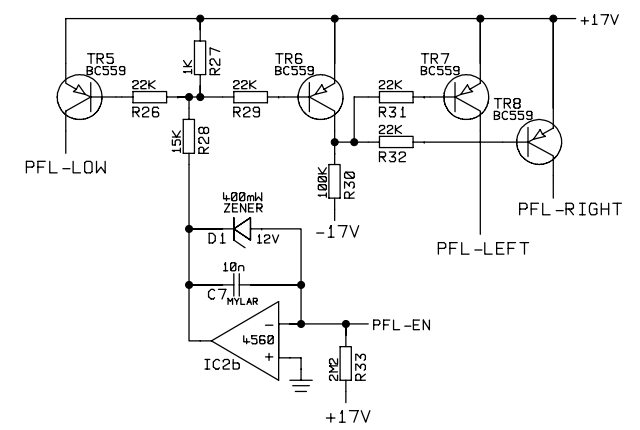
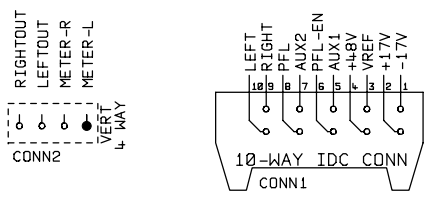
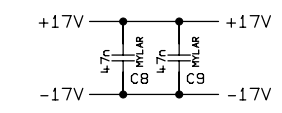
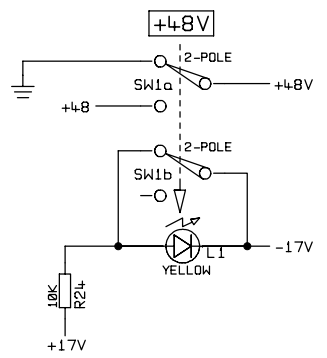
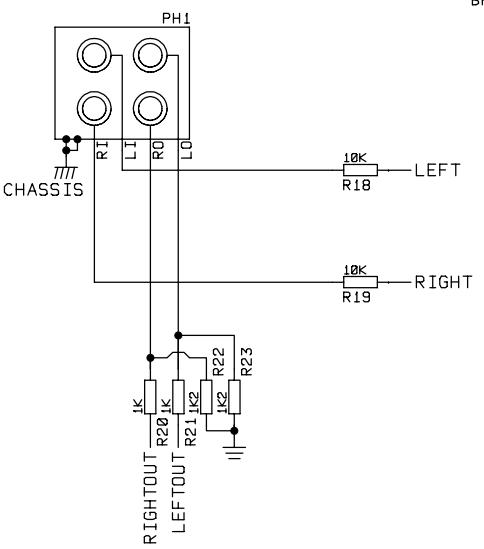
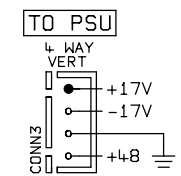
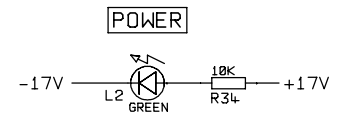
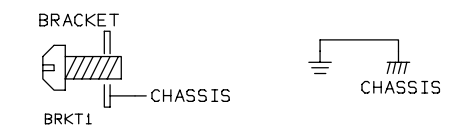
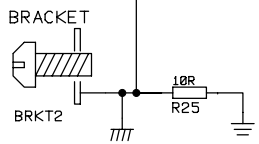
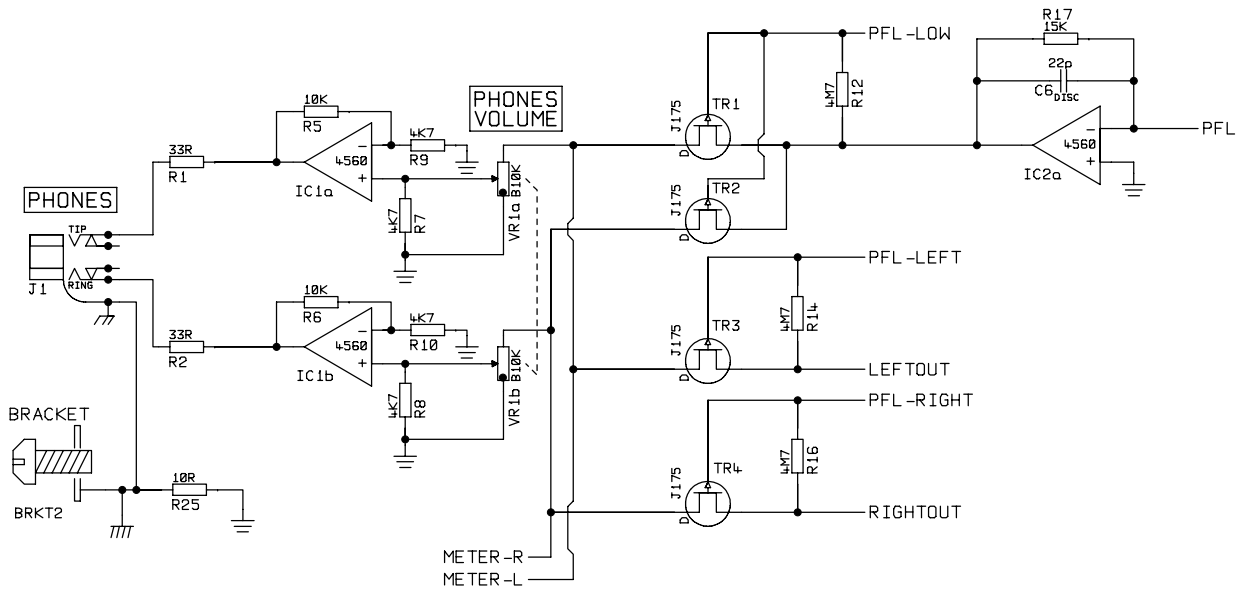
PART 1 OF 1

DRN BY: P.A. DATE: 04-03-99

FILE NAME: R7C4-4.DGM

ISSUE No: **9607047-4**

REV B



PIN OUTS FOR ALL OPAMPS

GROUP A	GROUP B
1 = O/P	8 = +17V
2 = -	7 = O/P
3 = +	6 = -
4 = -17V	5 = +

NOTE - ALL RESISTORS ARE 0.125W TYPE APART FROM - R11, R13, R15 R31, R35
 0dB = +4dBu

STUDIOMASTER DIAMOND LTD

PRODUCT	MODEL
LOGIC 12	ALL
CLUB2000	ALL
CLUBDSP	ALL
POWERPACK	400 400DSP

TITLE MONITOR OUTPUT

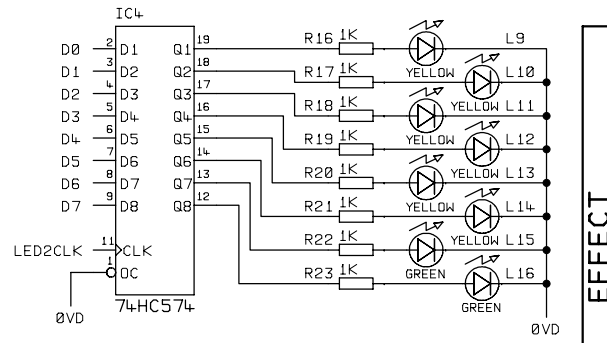
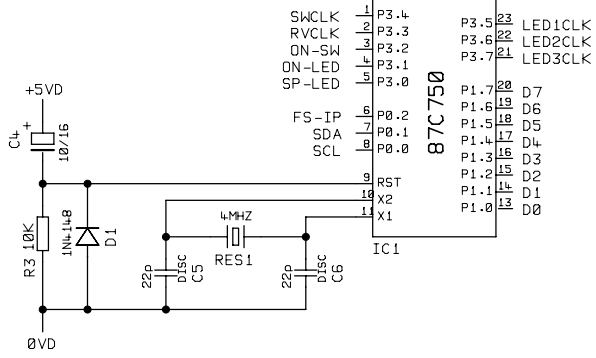
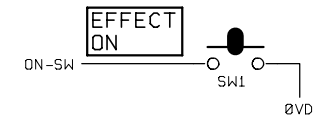
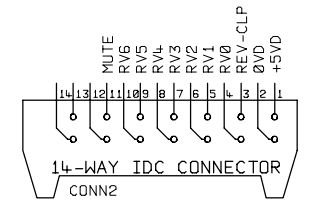
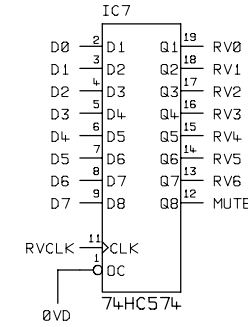
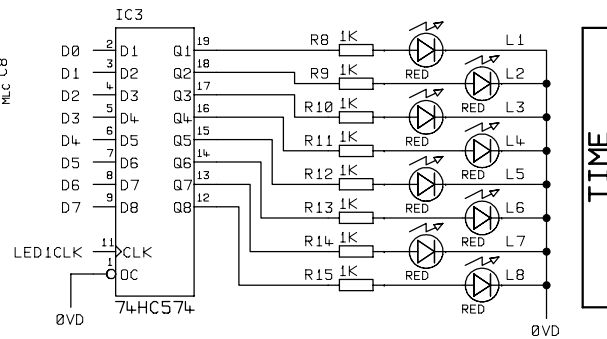
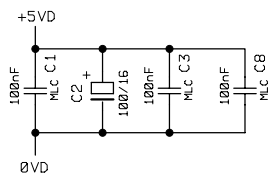
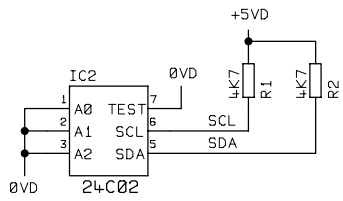
PART 1 OF 1

DRN BY P.A. DATE 03-11-98

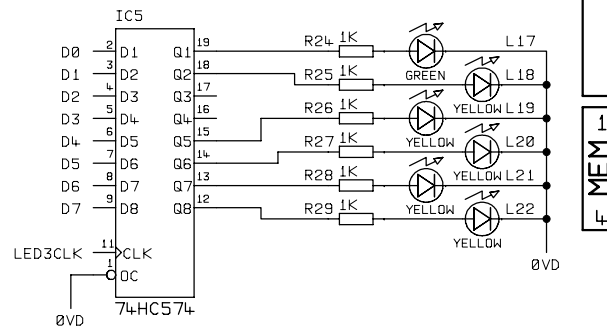
FILE NAME R7C5-2.DGM

ISSUE No

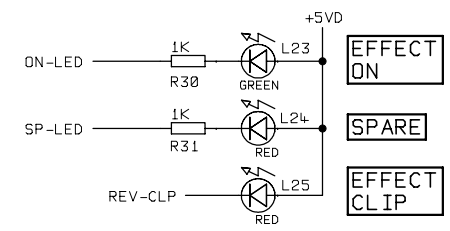
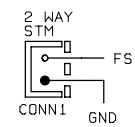
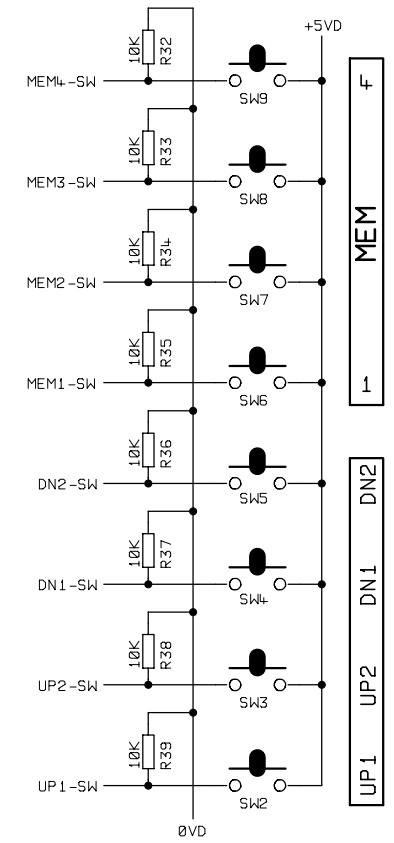
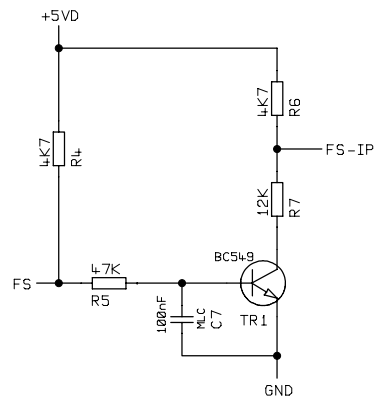
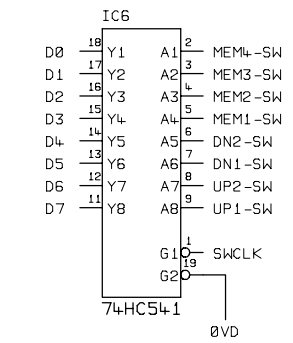
9607048-2



EFFECT

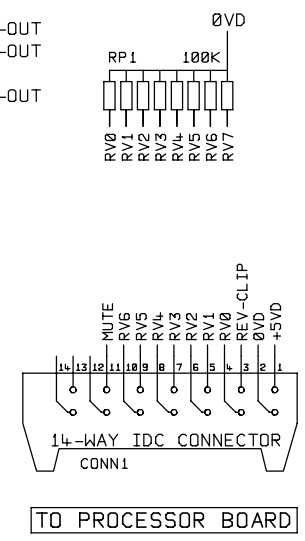
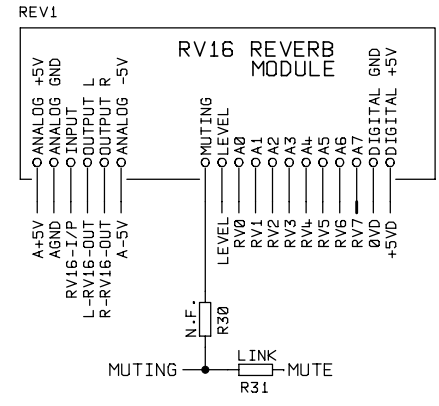
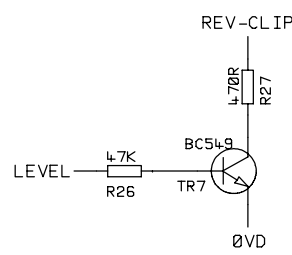
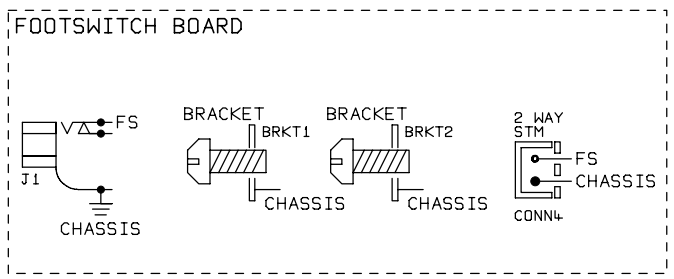
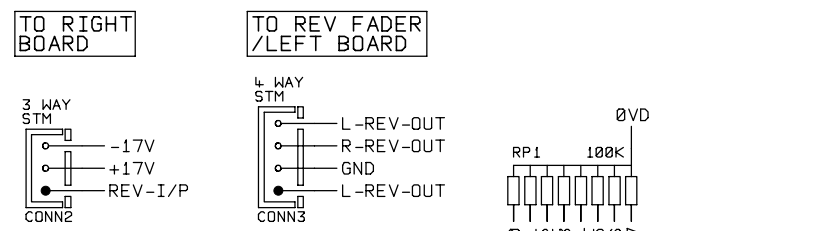
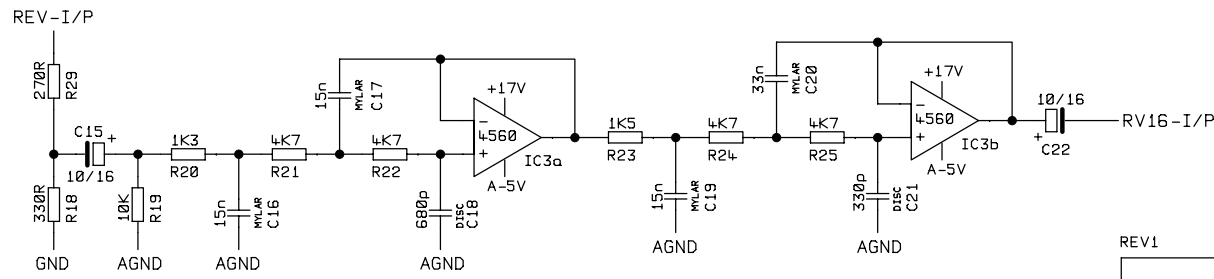
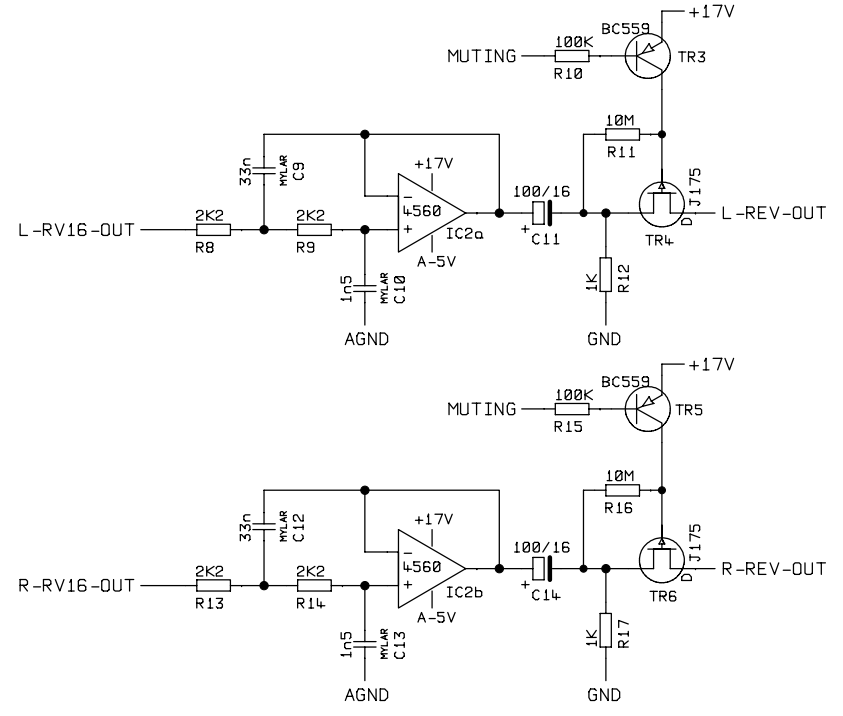
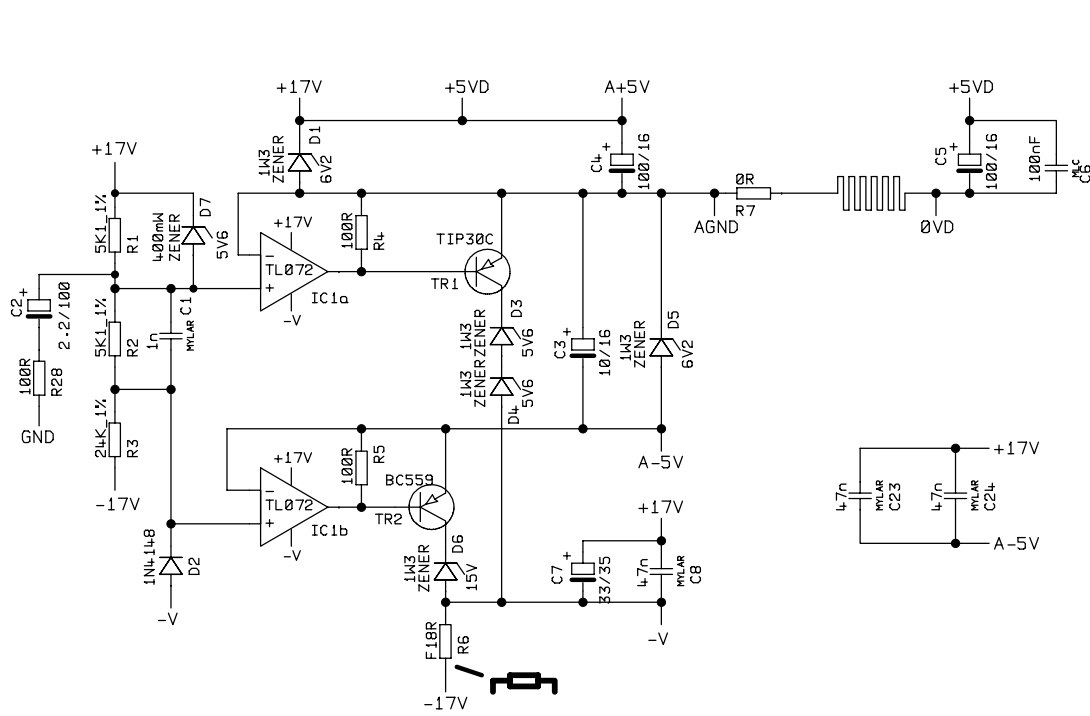


MEM 1



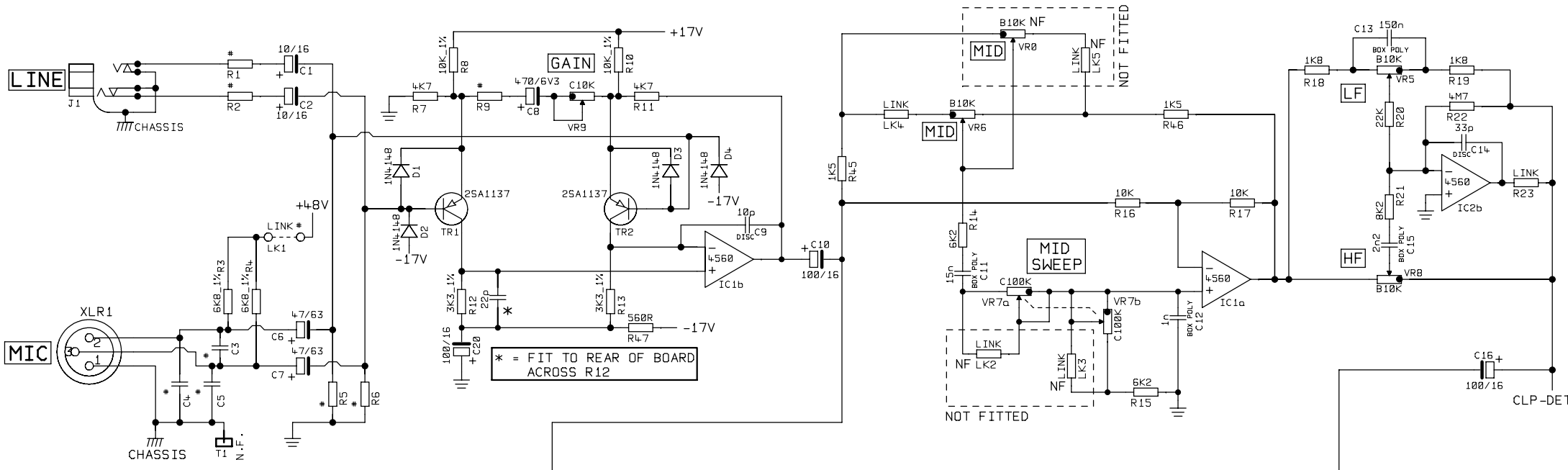
STUDIOMASTER DIAMOND LTD		TITLE	PROCESSOR / CONTROL SCHEMATIC		FILE NAME
PRODUCT	CLUB DSP (T1)	PART 1 OF 1			T1C1-3.DGM
VERSIONS		DRN BY	P.A.	DATE	15-12-97

NOTE - ALL RESISTORS ARE 0.125W TYPE
 NOTE - LED1 TO LED23 and LED25 ARE TO BE FITTED WITH SPACERS

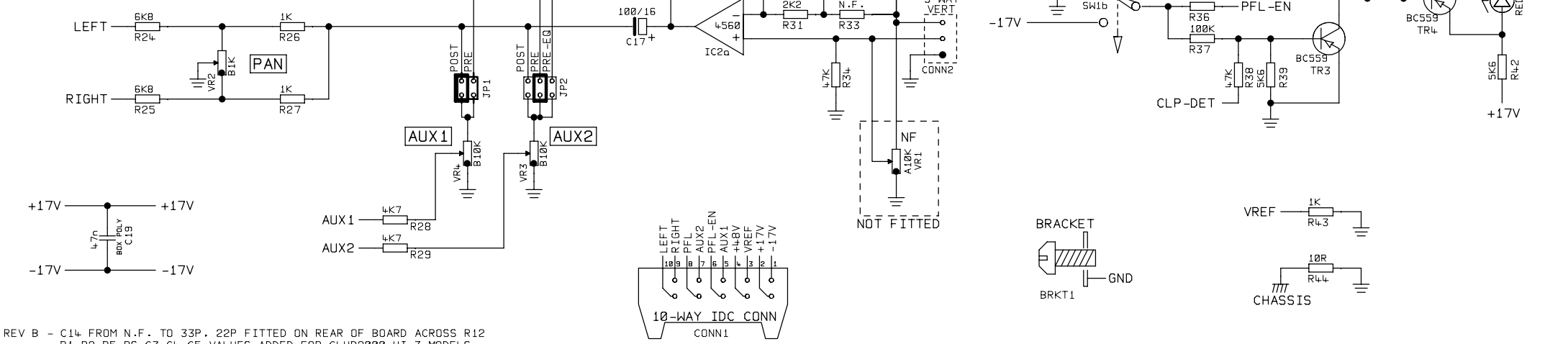


STUDIOMASTER DIAMOND LTD		TITLE	REVERB INTERFACE SCHEMATIC		FILE NAME	T1C2-3.DGM	
PRODUCT	CLUB DSP (T1)	PART 1 OF 1			ISSUE No		
VERSIONS		DRN BY	P.A.	DATE	31-03-98		
					Rev A		

= FIT COMPONENT WITH BODY 3MM OFF BOARD



	CLUB2000 / CLUBDSP	POWERPACK	CLUB2000 HI Z PLUS
R1, R2	9K1	4.3K	18K_1%
R5, R6	1K2	18K	3K_1%
C3	1n MYLAR	330p CER	100p CER
C4, C5	1n MYLAR	330p CER	4.70p CER
R9	12R	39R	12R



REV B - C14 FROM N.F. TO 33P, 22P FITTED ON REAR OF BOARD ACROSS R12
 R1,R2,R5,R6,C3,C4,C5 VALUES ADDED FOR CLUB2000 HI Z MODELS
 MYLAR CAPACITORS CHANGED TO BOX POLY TYPE

REV A - R1 & R2 FROM 4.7K TO 4.3K FOR PP, R5 & R6 FROM 15K TO 10K FOR PP,
 R9 FROM 12R TO 39R FOR PP

PIN OUTS FOR ALL OPAMPS

GROUP A	GROUP B
1 = O/P	8 = +17V
2 = -	7 = O/P
3 = +	6 = -
4 = -17V	5 = +

NOTE - ALL RESISTORS ARE 0.125W TYPE APART FROM - R3, R4, R8 R10, R12, R13 (THESE ARE 0.25W 1% CROSTER TYPE)

STUDIOMASTER DIAMOND LTD		TITLE		MONO INPUT		FILE NAME	
PRODUCT		PART 1 OF 1		DATE		R7C1-2.DGM	
CLUB2000		DRN BY		25-06-99		ISSUE No	
CLUBDSP		P.A.		REV B		9607044-2	
POWERPACK		DATE		25-06-99		REV B	
MODEL		DATE		25-06-99		REV B	
ALL		DATE		25-06-99		REV B	
ALL		DATE		25-06-99		REV B	
400 400DSP		DATE		25-06-99		REV B	