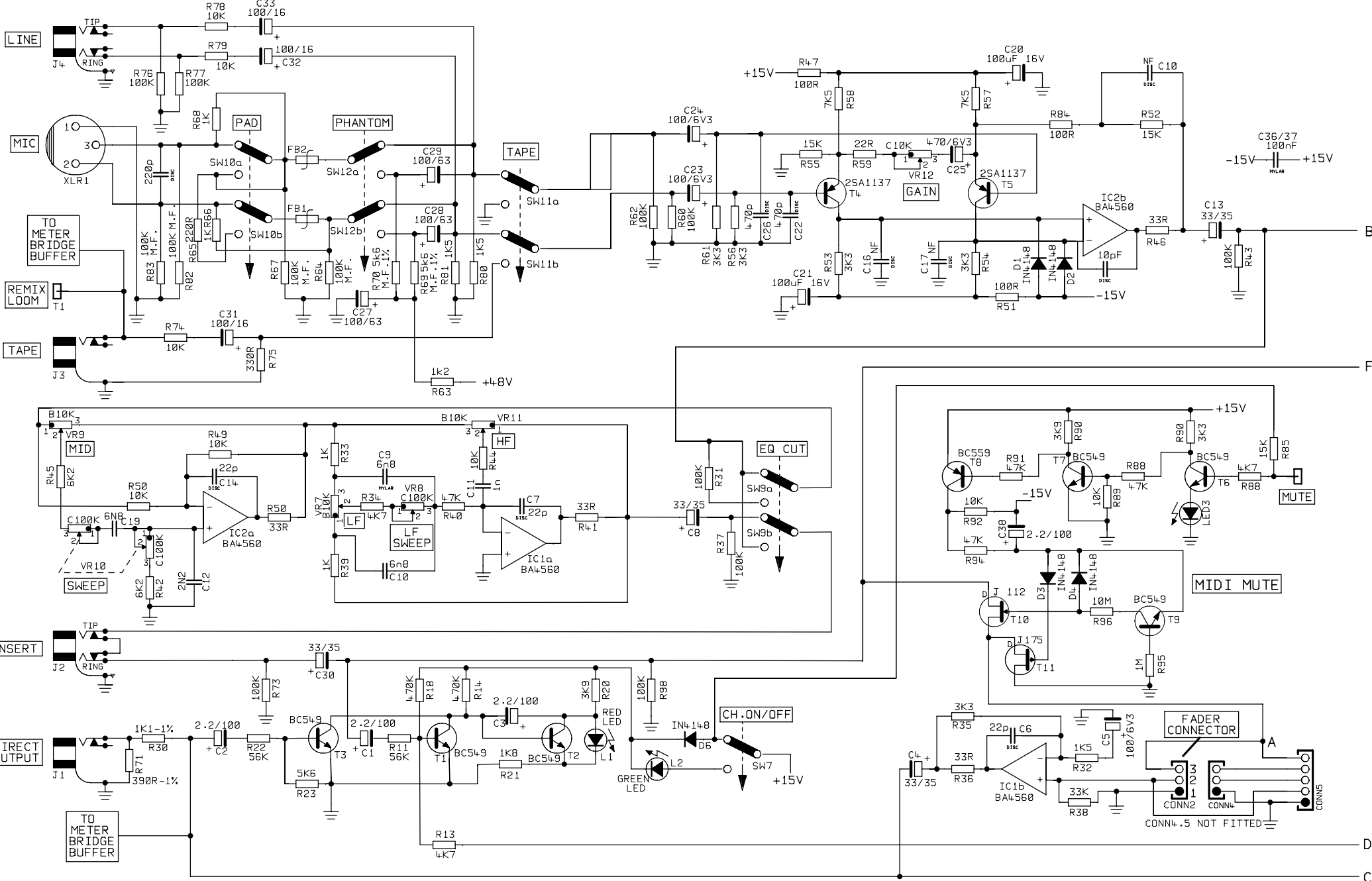


AUX2,4,6 AND R.MON. USED ON RIGHT ONLY

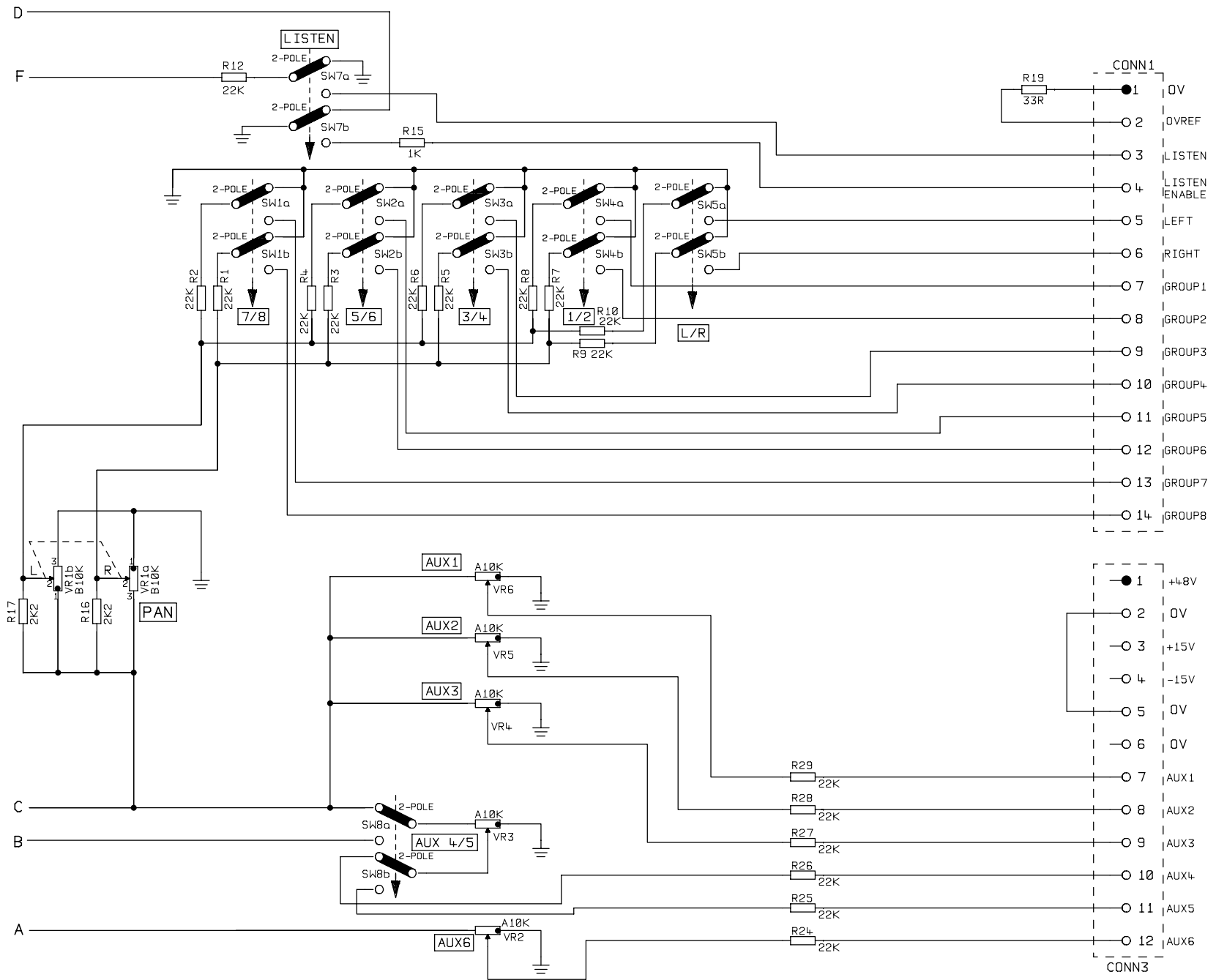
NOTES

STUDIOMASTER		TITLE		LEFT-RIGHT OUTPUT CCT		DRAWING No.	
		PRODUCT		MIXDOWN CLASSIC 8		MDC5-1.DGM	
VERSIONS		PART		OF		SCALE	
		DRN BY		DATE		23/3/95	
						FILE No.	



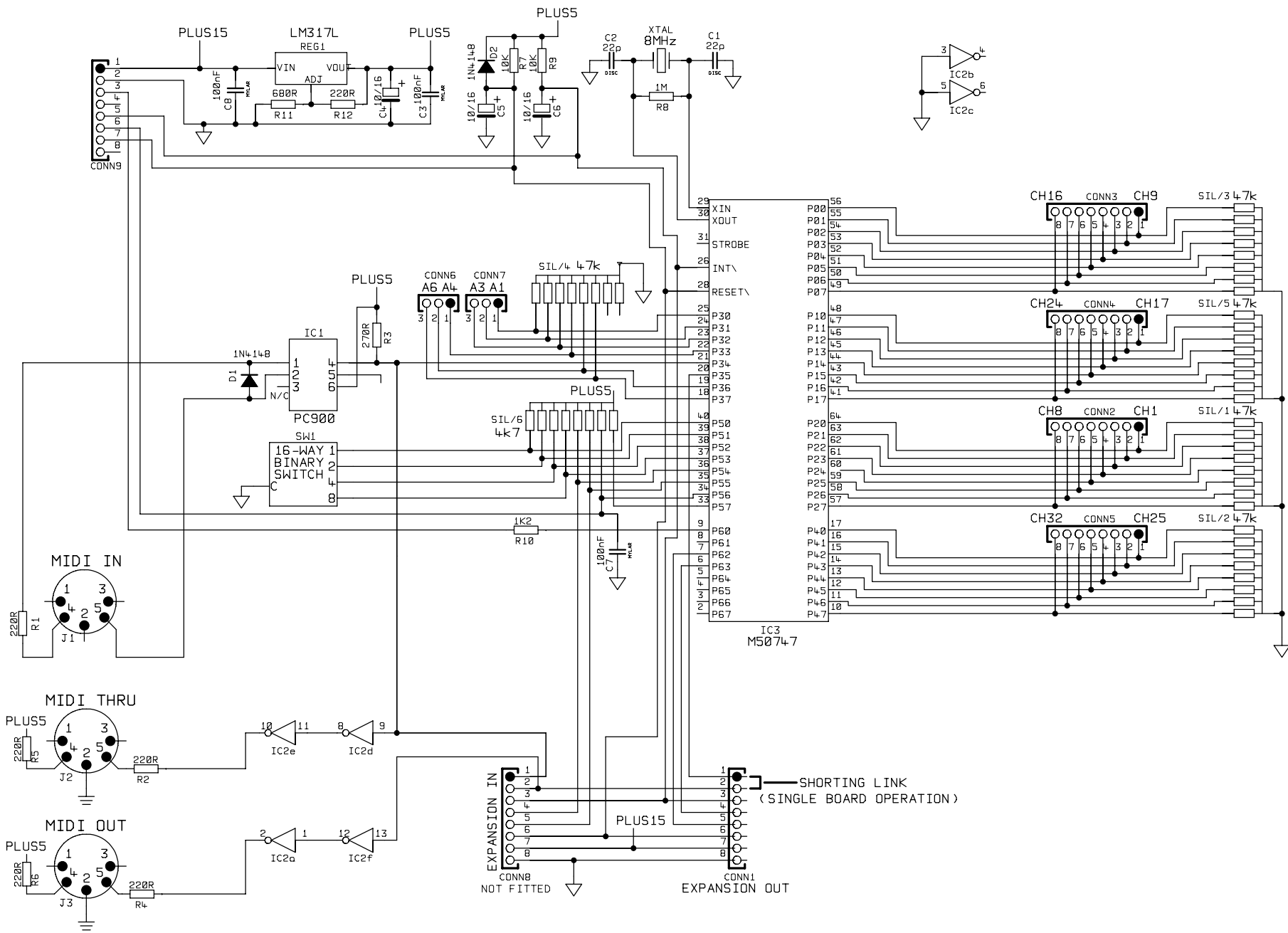
NOTES
NF = NOT FITTED

<h1 style="text-align: center;">STUDIOMASTER</h1>		TITLE		MIC CIRCUIT PART A		DRAWING No.	
		PRODUCT		MIXDOWN CLASSIC 8		MDC1-1.DGM	
VERSIONS		PART		OF		SCALE	
		DRN BY		DATE		23/3/95	
						FILE No.	



NOTES

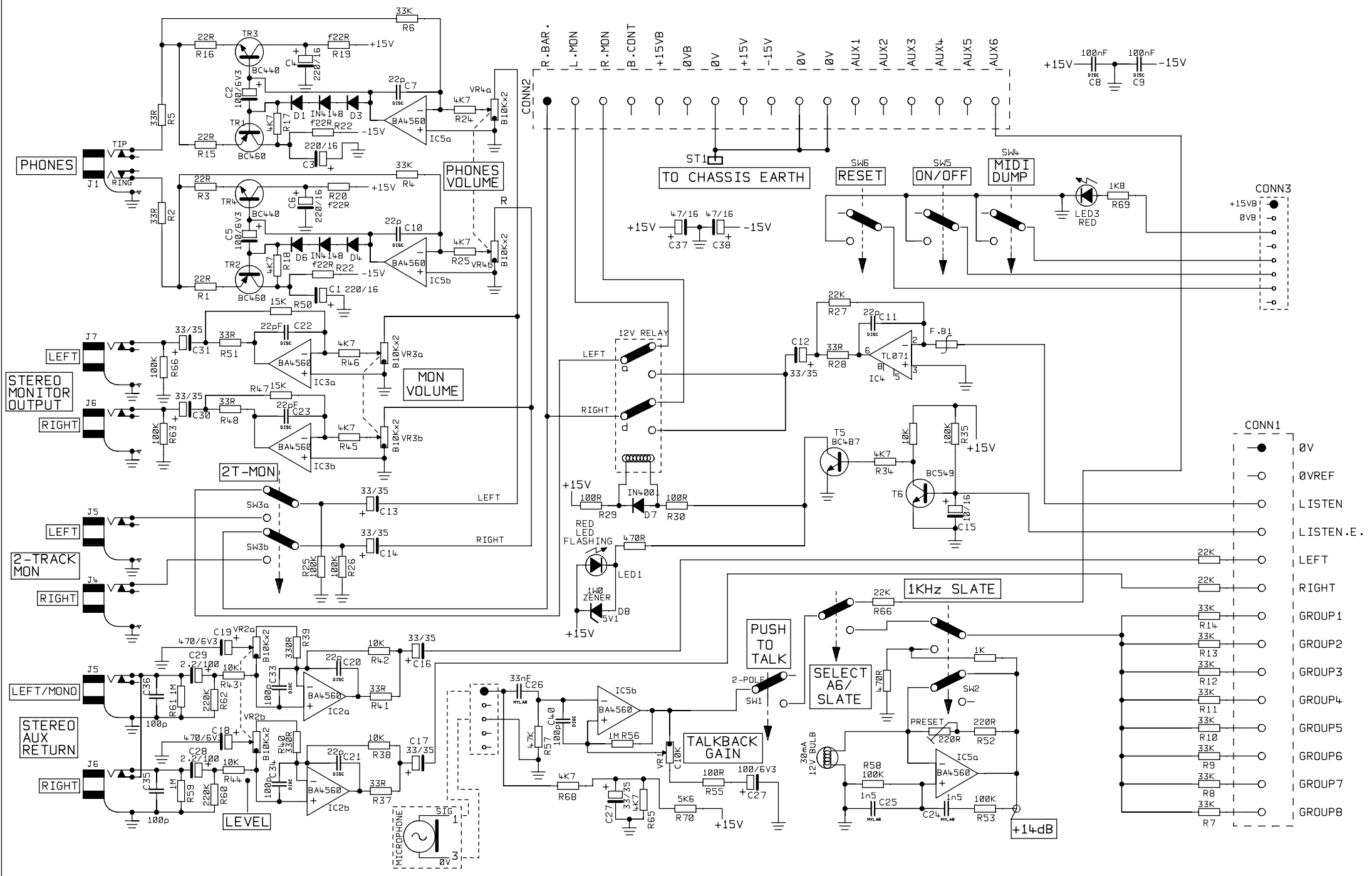
STUDIOMASTER		TITLE		MIC CIRCUIT PART B		DRAWING No.	
		PRODUCT		MIXDOWN CLASSIC 8		MCD2-1.DGM	
VERSIONS		PART		OF		SCALE	
		DRN BY		DATE		23/3/95	
						FILE No.	



NOTES
 ▽ OV
 ⊥ CHASSIS GROUND

STUDIOMASTER		TITLE		MIDI MUTE CIRCUIT	
		PRODUCT	MIXDOWN CLASSIC 8	PART	OF
VERSIONS		DRN BY		DATE	24/4/95

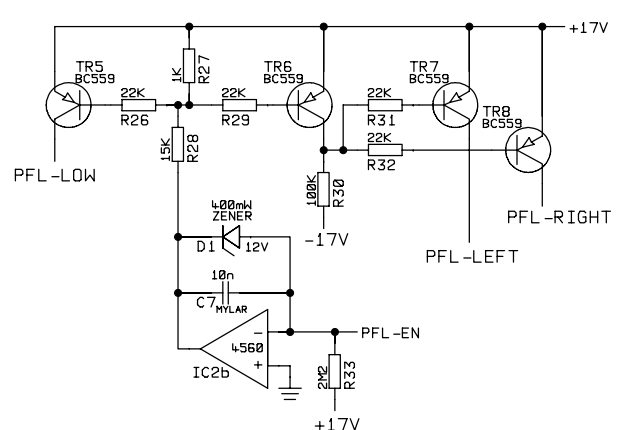
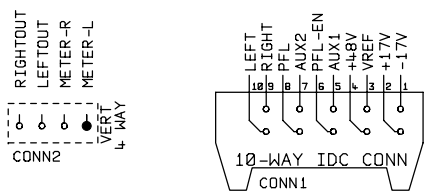
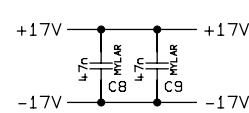
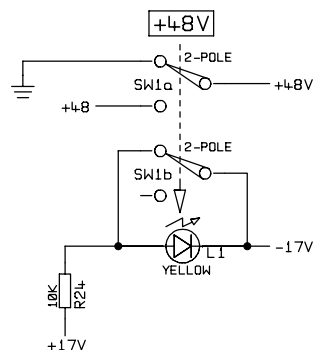
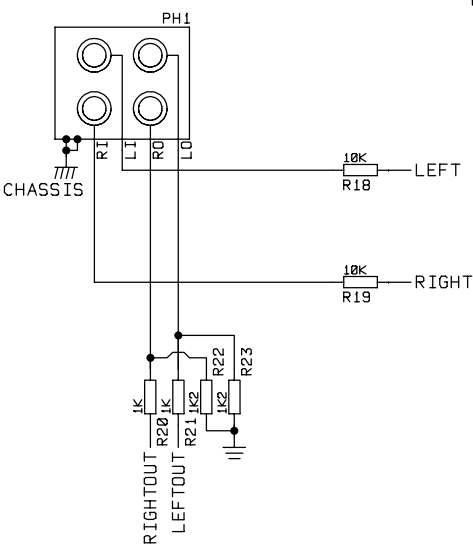
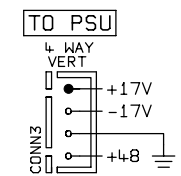
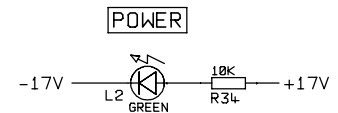
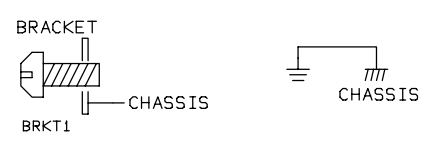
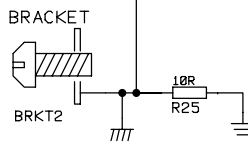
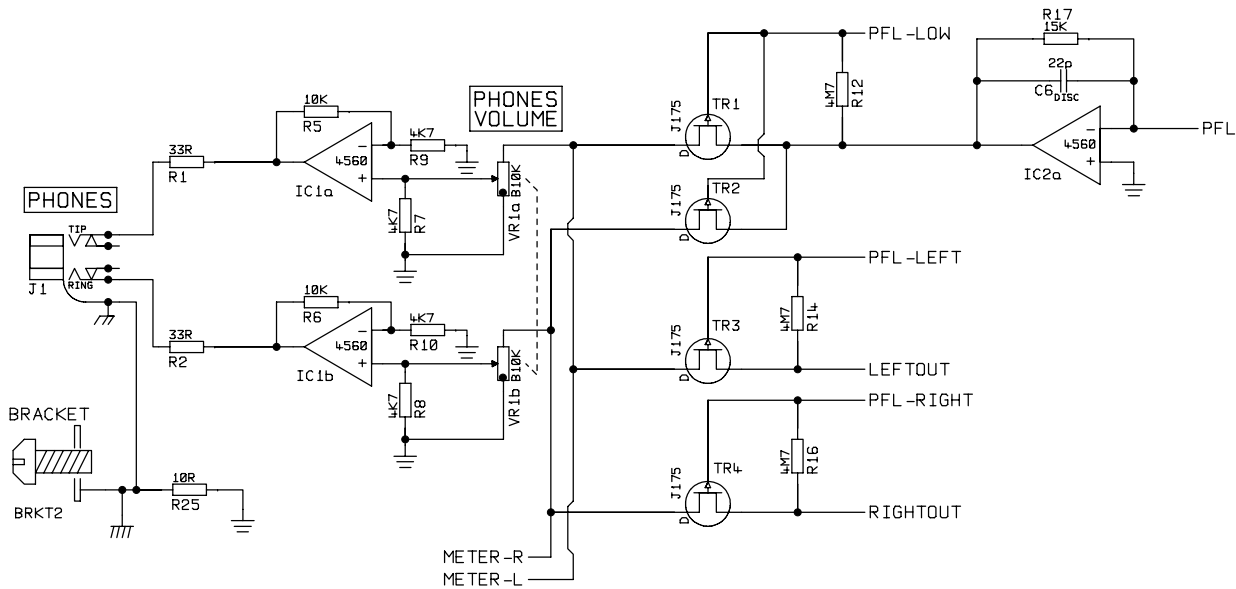
DRAWING No.
MDC7-1.DGM
 FILE No.



NOTES

STUDIOMASTER		TITLE	MONITOR CIRCUIT	
PRODUCT	MIXDOWN CLASSIC 8	PART	OF	SCALE
VERSIONS		DRN BY	DATE	23/3/95

DRAWING No.	MDC6-1.DGM
FILE No.	



PIN OUTS FOR ALL OPAMPS

GROUP A	GROUP B
1 = O/P	8 = +17V
2 = -	7 = O/P
3 = +	6 = -
4 = -17V	5 = +

NOTE - ALL RESISTORS ARE 0.125W TYPE APART FROM - R11, R13, R15 R31, R35
 0dB = +4dBu

STUDIOMASTER DIAMOND LTD

PRODUCT	MODEL
LOGIC 12	ALL
CLUB2000	ALL
CLUBDSP	ALL
POWERPACK	400 400DSP

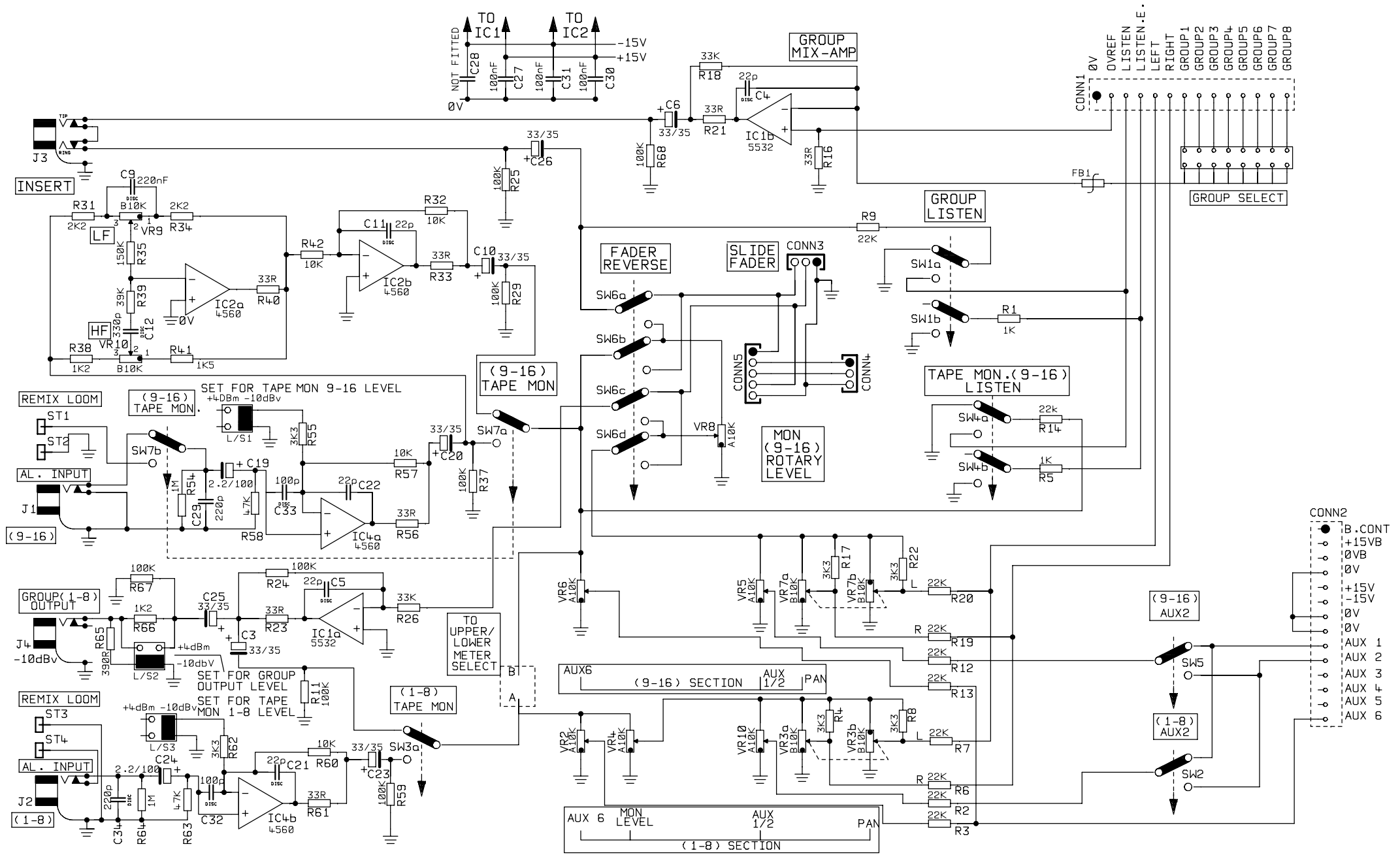
TITLE MONITOR OUTPUT

PART 1 OF 1

DRN BY P.A. DATE 03-11-98

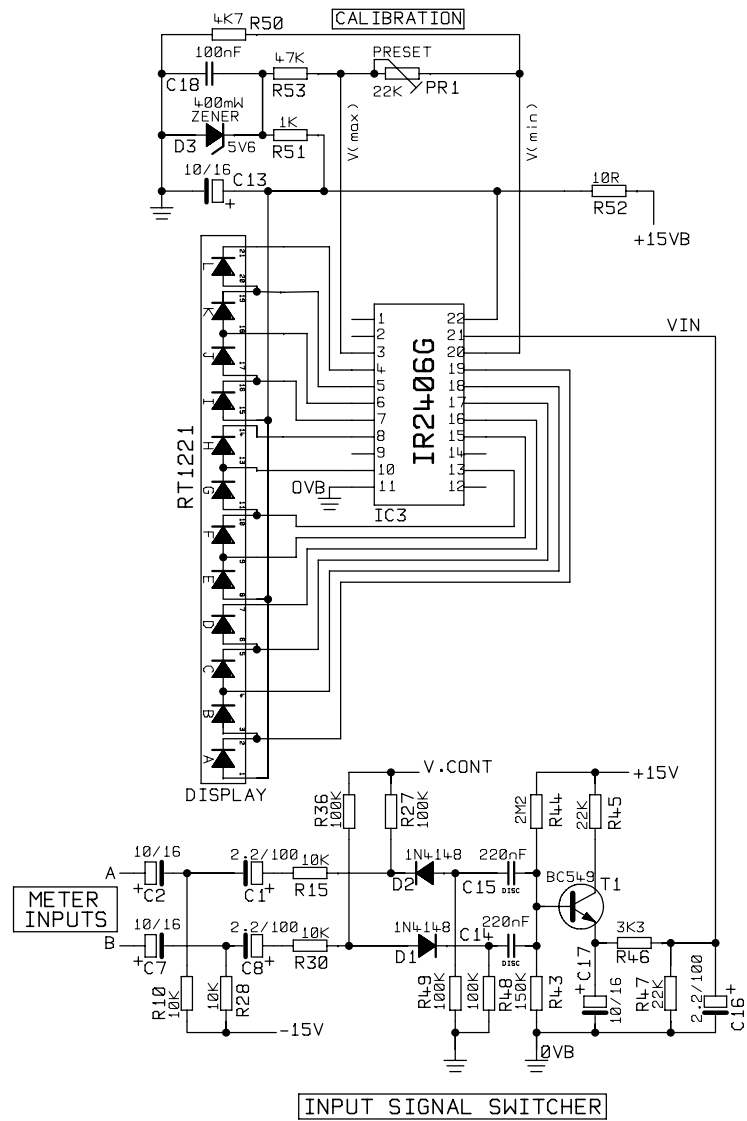
FILE NAME R7C5-2.DGM

ISSUE No 9607048-2



NOTES

STUDIOMASTER		TITLE		GROUP CIRCUIT PART A		DRAWING No. MDC3-1.DGM	
		PRODUCT	MIXDOWN CLASSIC 8	PART	OF	SCALE	FILE No.
VERSIONS		DRN BY		DATE		23/3/95	



NOTES

STUDIOMASTER		TITLE		GROUP CIRCUIT PART B		DRAWING No.	
		PRODUCT		MIXDOWN CLASSIC 8		MDC4-1.DGM	
VERSIONS		PART		OF		SCALE	
		DRN BY				DATE	
						23/3/95	
						FILE No.	