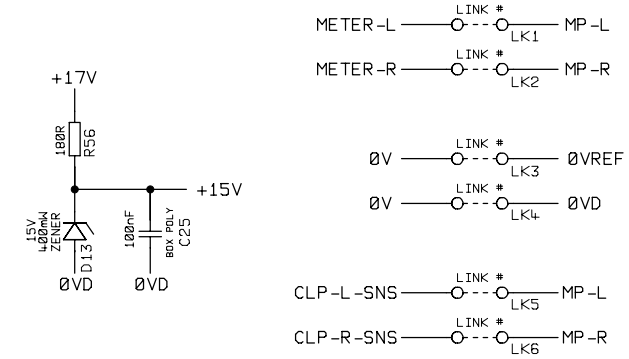


NOTE: ALL VOLTAGES MEASURED WITH 230V/115V A.C.

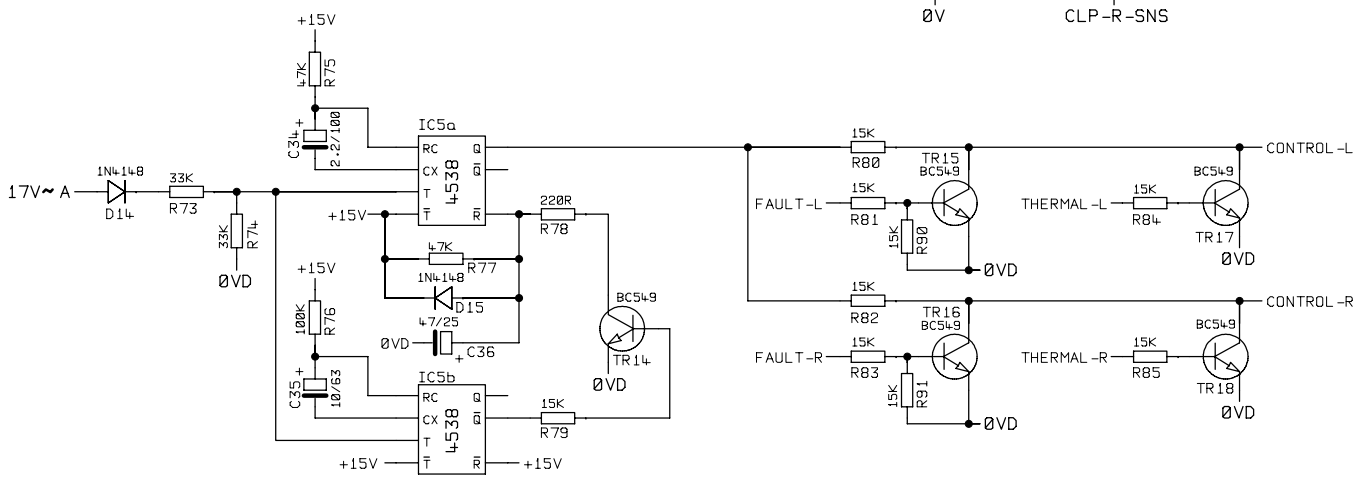
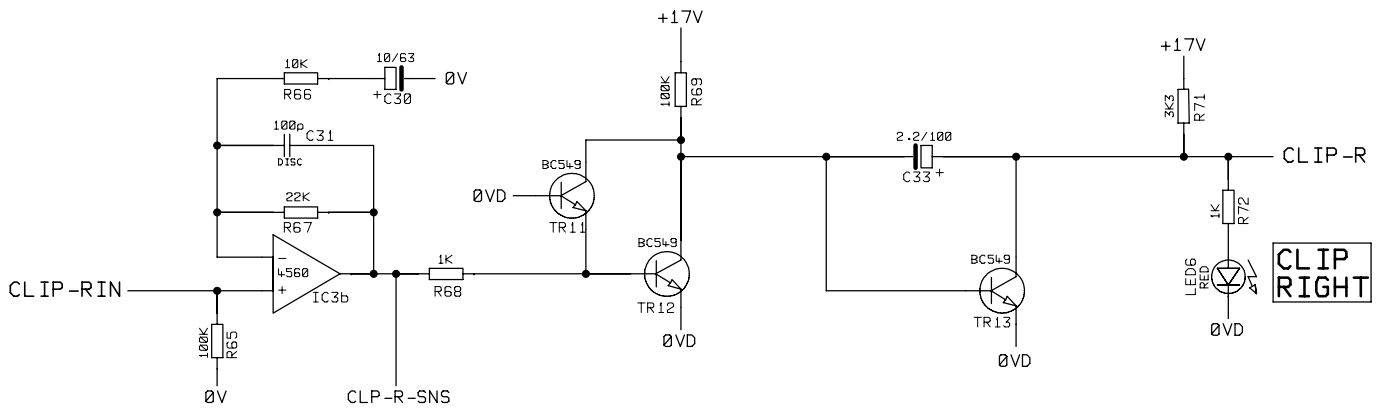
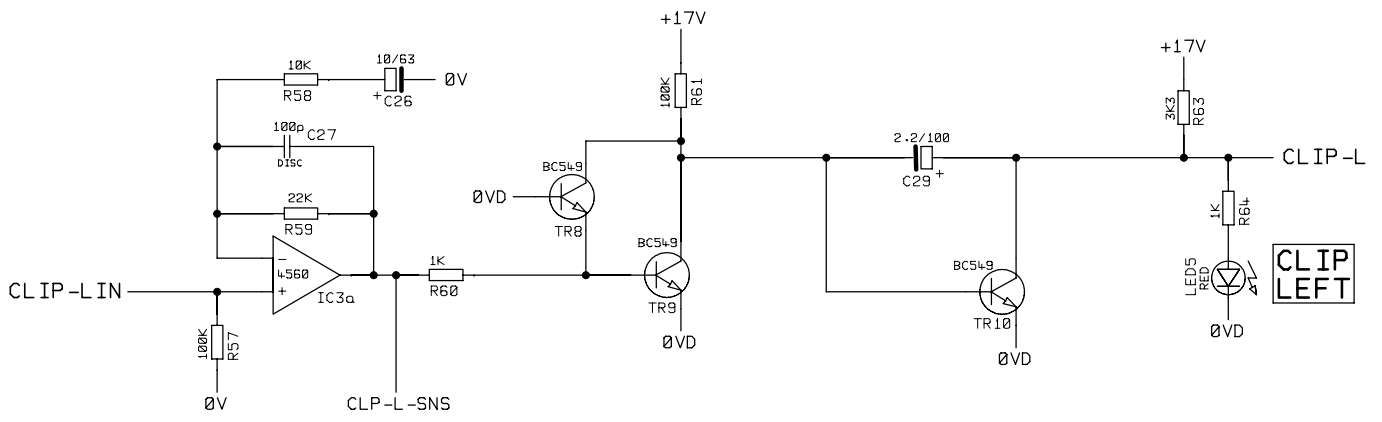
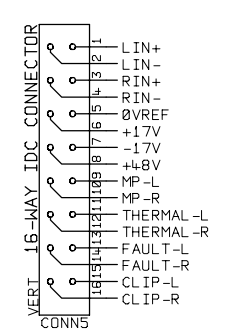
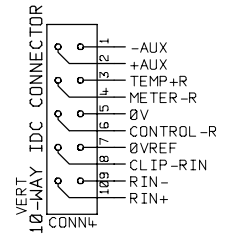
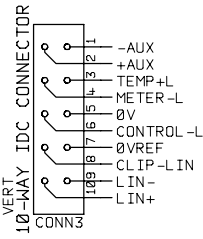
STUDIOMASTER DIAMOND LTD		TITLE	AMPLIFIER PSU CIRCUIT		FILE NAME
PRODUCT	VISION. FOCUS. 700D	PART 1 OF 2			R2C1C-4.DGM
VERSIONS	ALL	900E	DRN BY	P.B.	DATE
					09-06-99
					ISSUE No
					R2C1C-4



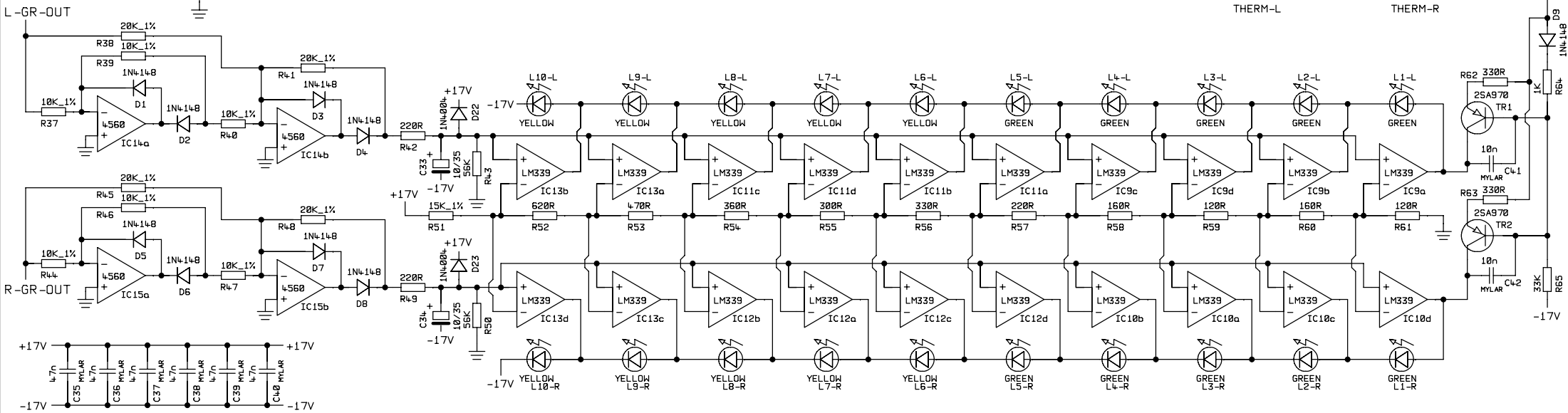
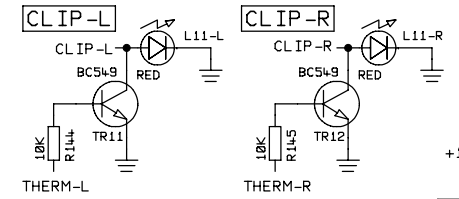
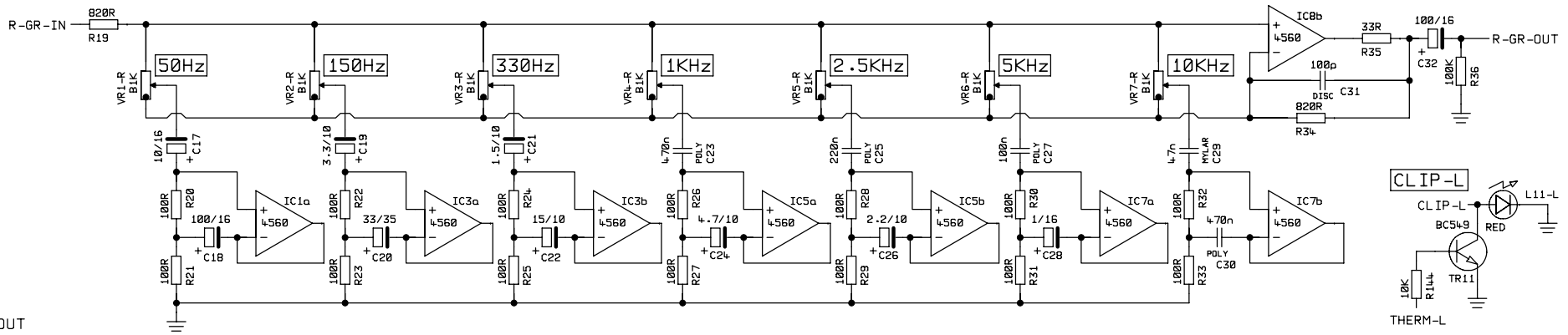
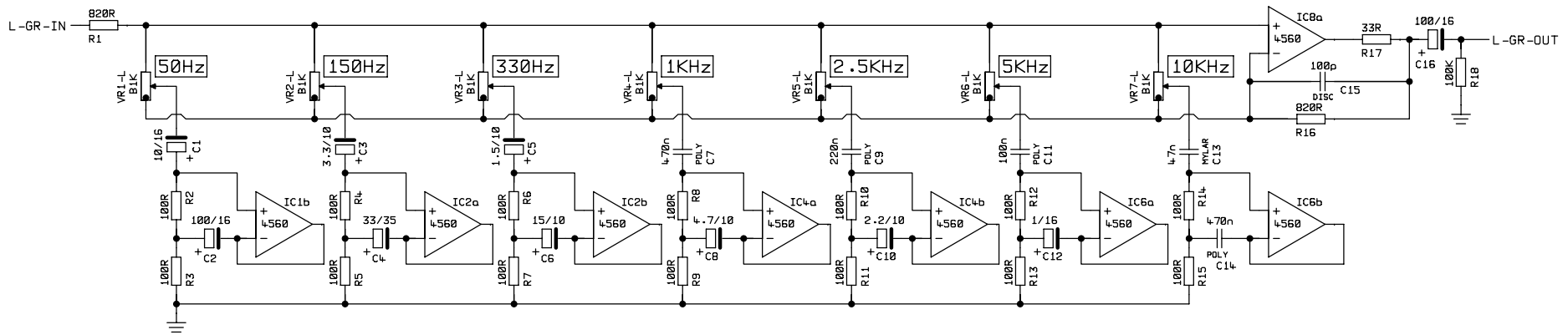
TO LEFT AMP

TO RIGHT AMP

TO IN-OUT BOARD



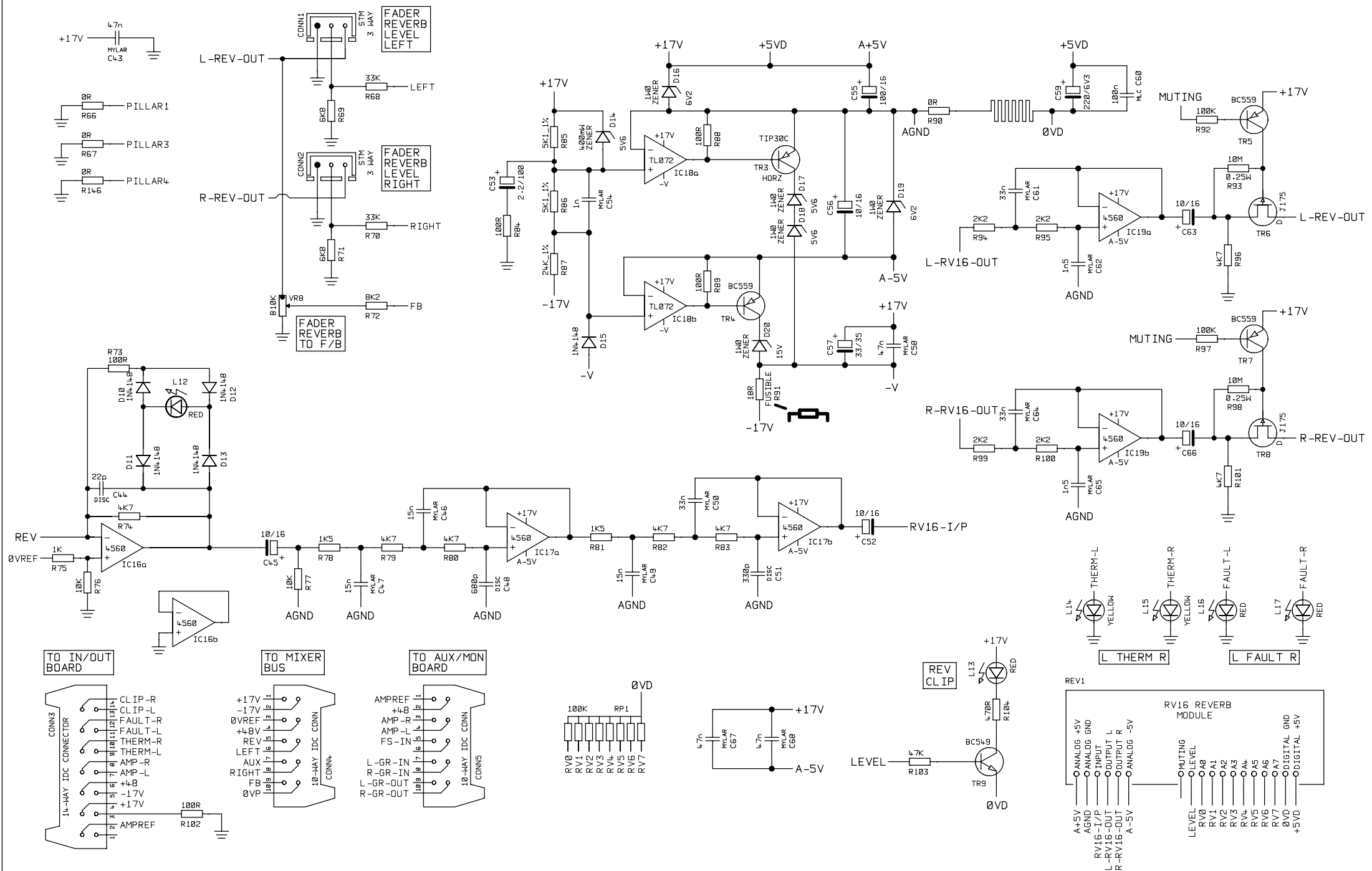
STUDIOMASTER DIAMOND LTD		TITLE	AMPLIFIER PSU CIRCUIT		FILE NAME	R2C1D-4.DGM	
PRODUCT	FOCUS, VISION, 700D	PART 2 OF 2			ISSUE No	R2C1D-4	
VERSIONS	ALL	900E	DRN BY	P.B.	DATE	03-06-99	



2 = C33 & C34 CHANGED FROM 10/16(NEG TO 0V) TO 10/35(NEG TO -17V)  
 D22 & D23 1N4004 ADDED / TR11 & TR12 BC549 ADDED / R144 & R145 R#10K ADDED

NOTE - L1 TO L11 (L&R)  
 ARE TO FITTED WITH SPACERS

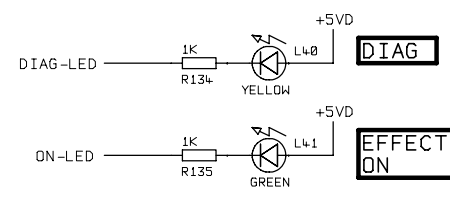
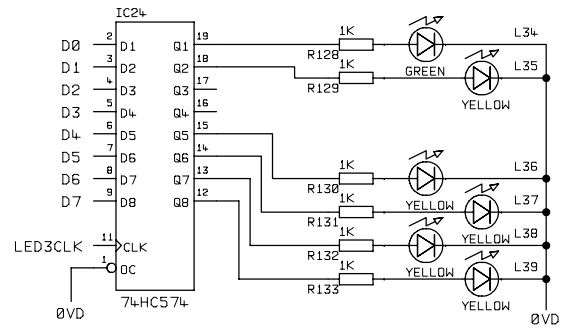
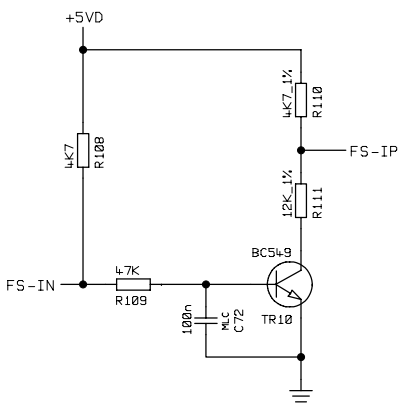
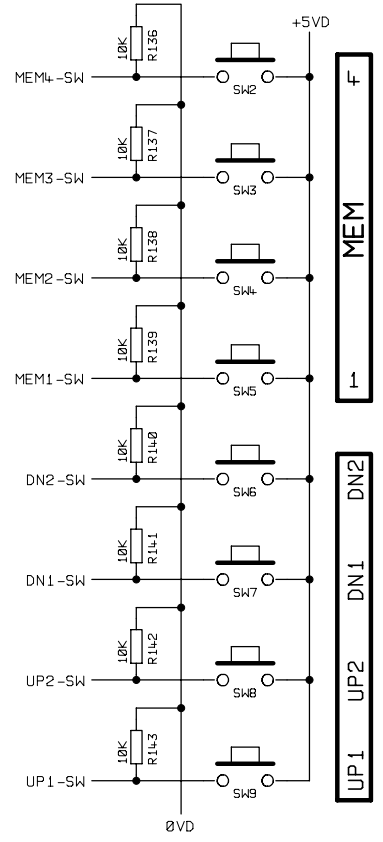
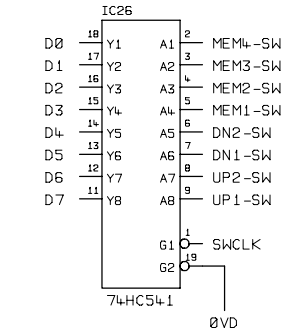
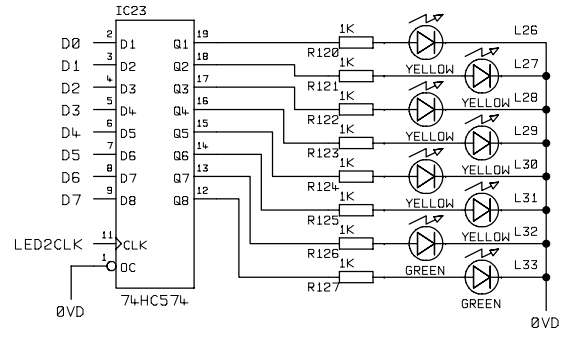
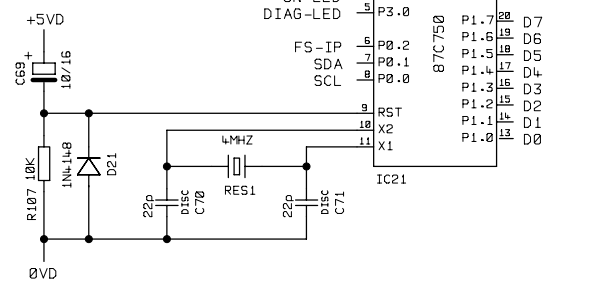
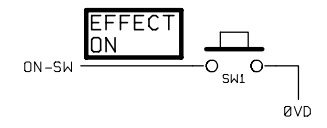
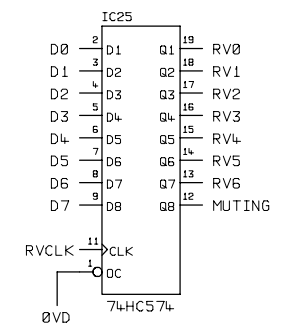
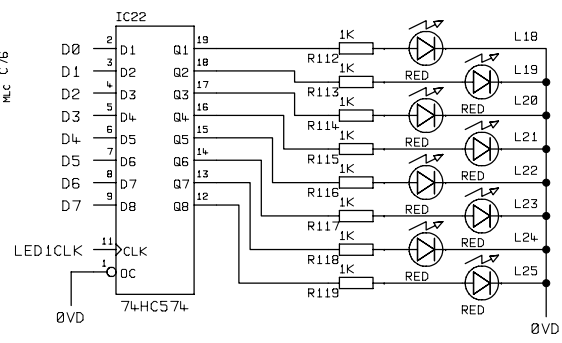
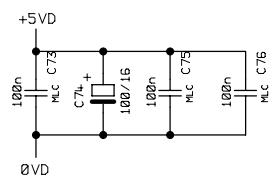
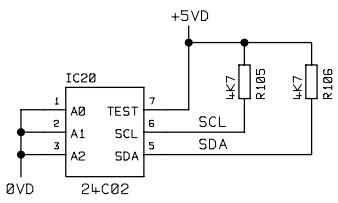
STUDIOMASTER DIAMOND LTD		TITLE CONTROL/GRAPHIC BOARD		FILE NAME R5C1A-2.DGM	
PRODUCT	POWERHOUSE FOCUS	PART 1 OF 3		ISSUE No	
VERSIONS		DRN BY	P.A.	DATE	21-10-98
					PCBUT862 FIN35802



2 = R66 & R67 CHANGED FROM 10R TO 0R (LINK)  
 C59 CHANGED FROM 100U 16V TO 220U 6V3  
 R146 R#0R (LINK) ADDED

= FIT COMPONENT WITH BODY 3mm OFF BOARD  
 NOTE - REV1 TO BE MOUNTED ON TRACK SIDE  
 NOTE - L13 TO L17 TO BE FITTED WITH SPACERS

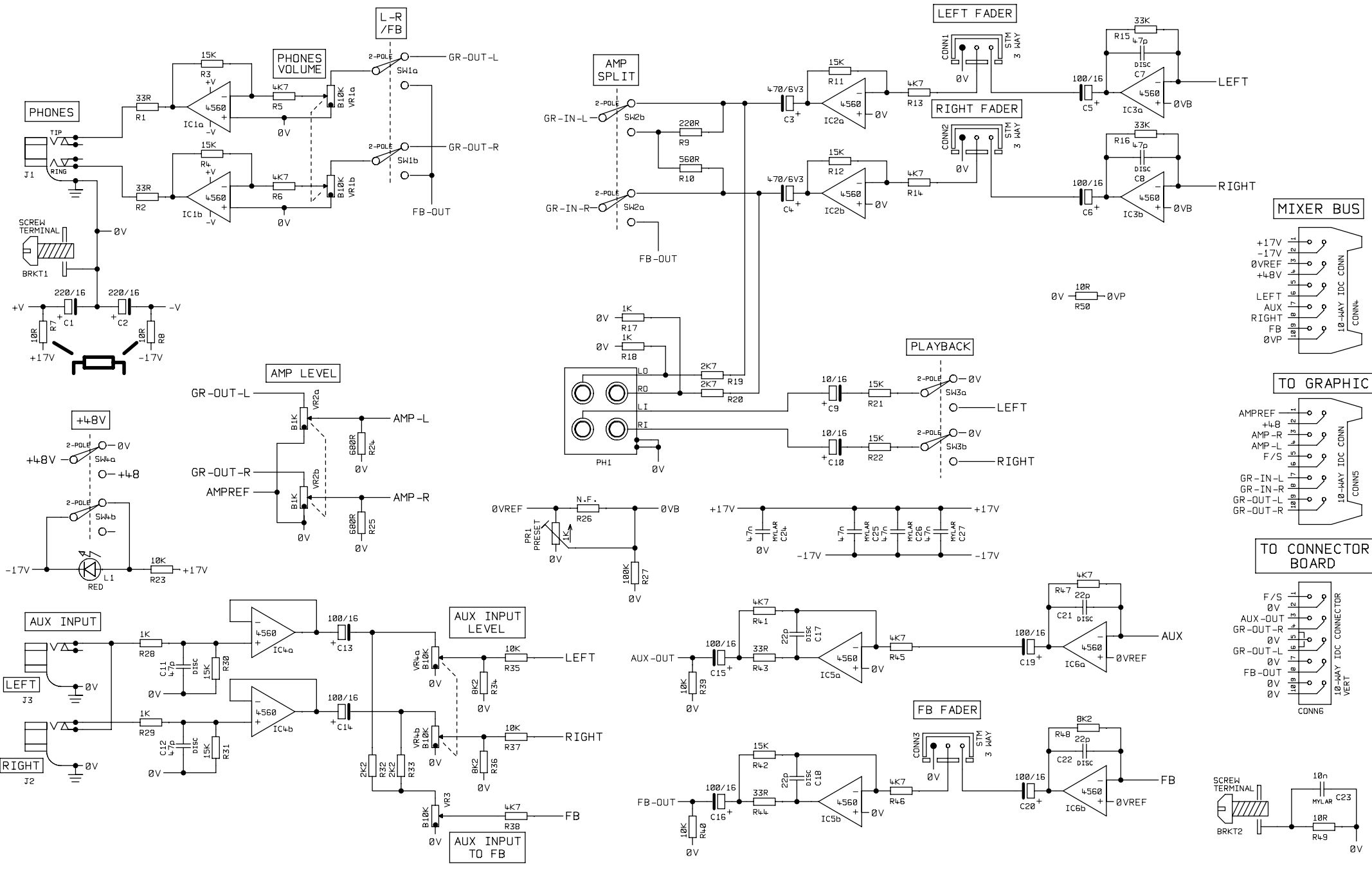
STUDIOMASTER DIAMOND LTD		TITLE CONTROL/GRAPHIC BOARD		FILE NAME R5C1B-2.DGM	
PRODUCT	POWERHOUSE FOCUS	PART 2 OF 3		ISSUE No	
VERSIONS		DRN BY	P.A.	DATE	21-10-98
				PCBUT862 FIN35802	



2 = NO CHANGES MADE ON THIS SHEET

NOTE - L18 TO L39 AND L41 ARE TO BE FITTED WITH SPACERS

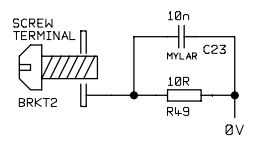
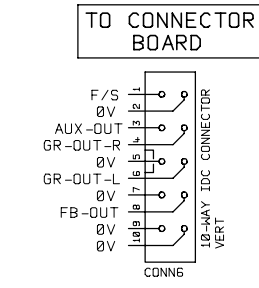
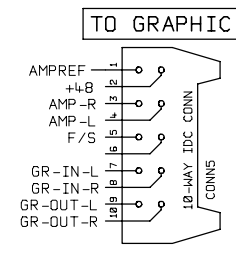
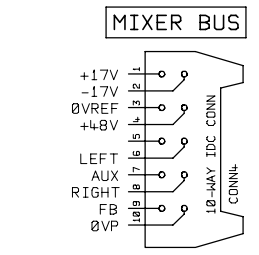
STUDIOMASTER DIAMOND LTD		TITLE	CONTROL/GRAPHIC BOARD			FILE NAME	R5C1C-2.DGM	
PRODUCT	POWERHOUSE FOCUS	PART 3 OF 3				ISSUE No	PCBUT862	
VERSIONS		DRN BY	P.A.	DATE	21-10-98	FIN35802		

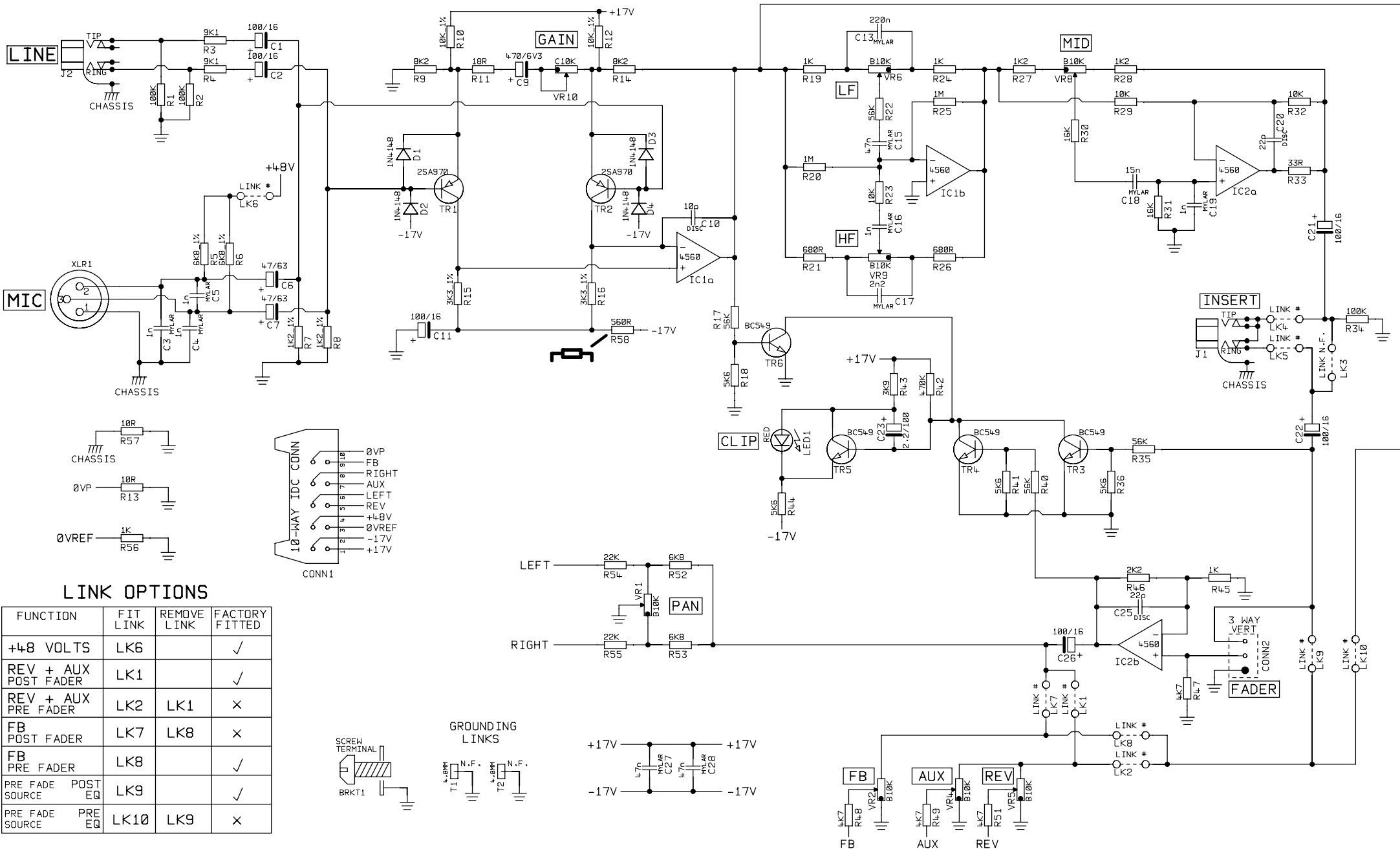


2 = TRACKING TO SW1 CHANGED FROM GR-IN-L/GR-IN-R TO GR-OUT-L/GR-OUT-R  
 R3 & R4 CHANGED FROM 22K TO 15K. R21 & R22 CHANGED FROM 11K TO 15K  
 R35 & R37 CHANGED FROM 11K TO 10K

 = FIT COMPONENT WITH BODY 3MM OFF BOARD

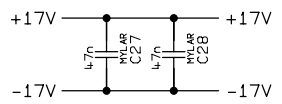
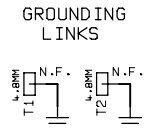
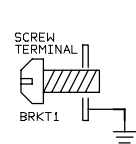
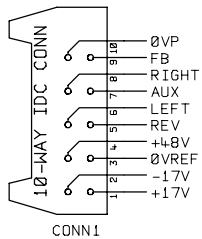
STUDIOMASTER DIAMOND LTD		TITLE		AUX BOARD		FILE NAME	
PRODUCT		POWERHOUSE FOCUS		PART 1 OF 1		R5C2-2.DGM	
VERSIONS				DRN BY		P.A.	
				DATE		27-10-98	
				ISSUE No		R5A2-2	





**LINK OPTIONS**

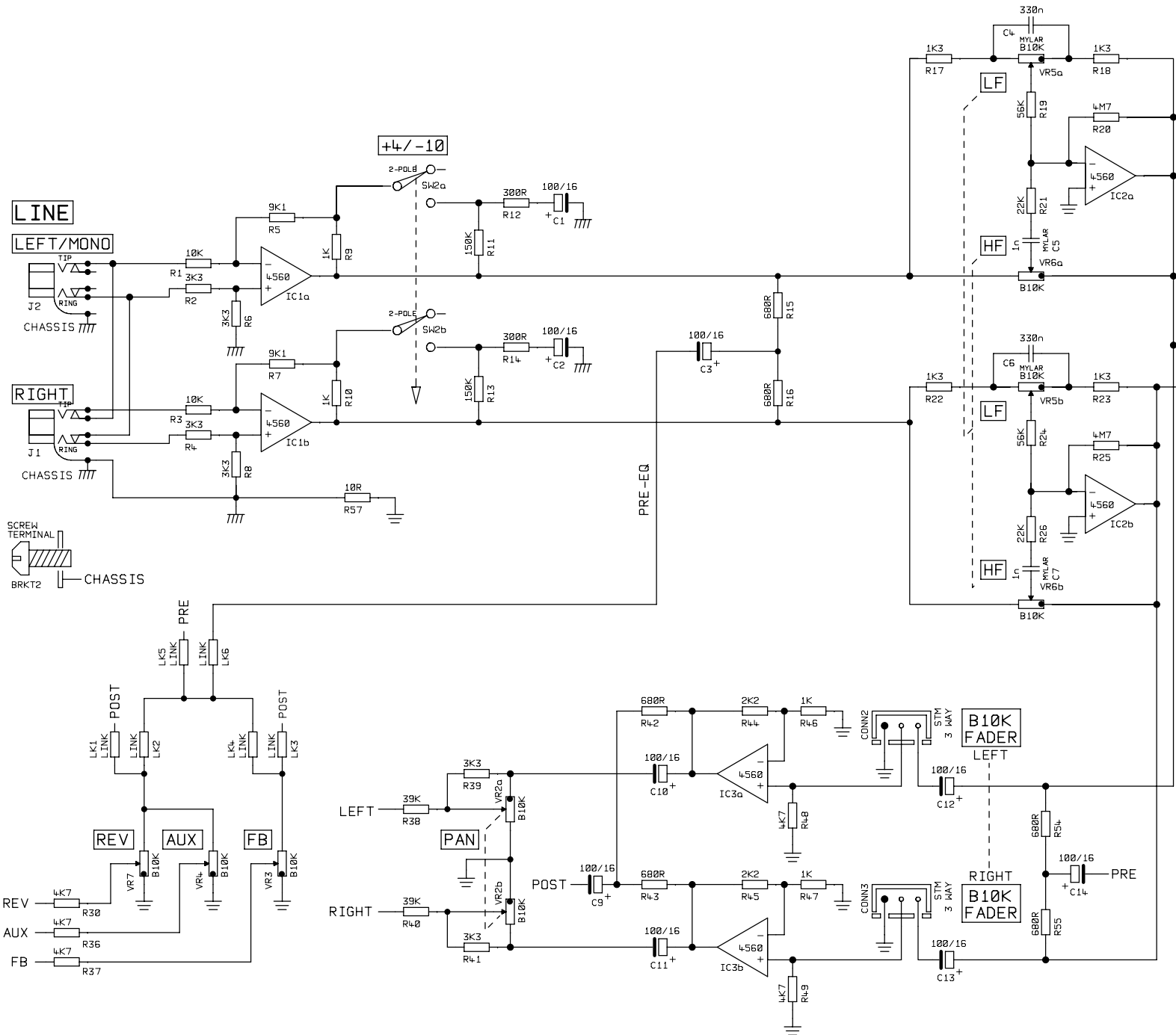
FUNCTION	FIT LINK	REMOVE LINK	FACTORY FITTED
+4.8 VOLTS	LK6		✓
REV + AUX POST FADER	LK1		✓
REV + AUX PRE FADER	LK2	LK1	✗
FB POST FADER	LK7	LK8	✗
FB PRE FADER	LK8		✓
PRE FADE SOURCE EQ	LK9		✓
PRE FADE PRE EQ	LK10	LK9	✗



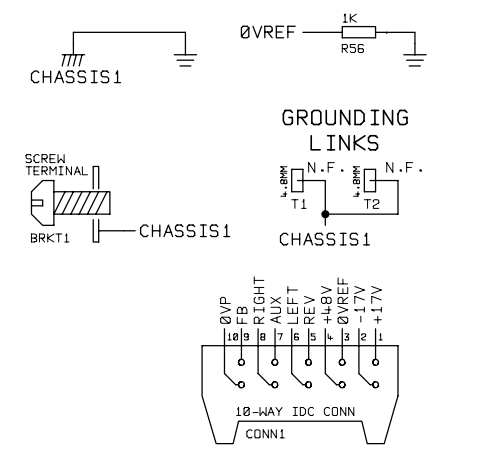
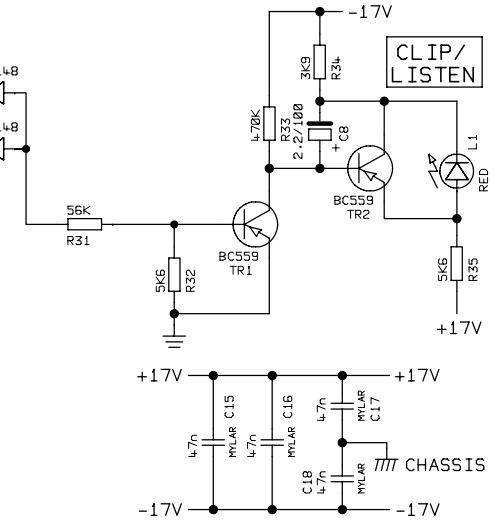
REV A = R27, R28 FROM LK5 TO 1K2, C20 FROM N.F. TO 22P  
R33 FROM LINK TO 33R  
2 = 2 OFF 4.8MM TAGS (N.F.) ADDED IN POSITIONS T1 & T2

STUDIOMASTER DIAMOND LTD		TITLE	MONO INPUT CIRCUIT		FILE NAME
PRODUCT	POWERHOUSE FOCUS	PART 1 OF 1			R5C3-2.DGM
VERSIONS		DRN BY	P.A.	DATE	01-02-99
					PCBUT842 FIN35801
					ISSUE No R5C3-2 REV A

= FIT COMPONENT WITH BODY 3MM OFF BOARD



LINK OPTIONS			
FUNCTION	FIT LINK	REMOVE LINK	FACTORY FITTED
REV+AUX POST FADER	LK1		✓
REV+AUX PRE FADER	LK2	LK1	✗
FB POST FADER	LK3	LK4	✗
FB PRE FADER	LK4		✓
PRE FADE SOURCE EQ	LK5		✓
PRE FADE SOURCE PRE EQ	LK6	LK5	✗



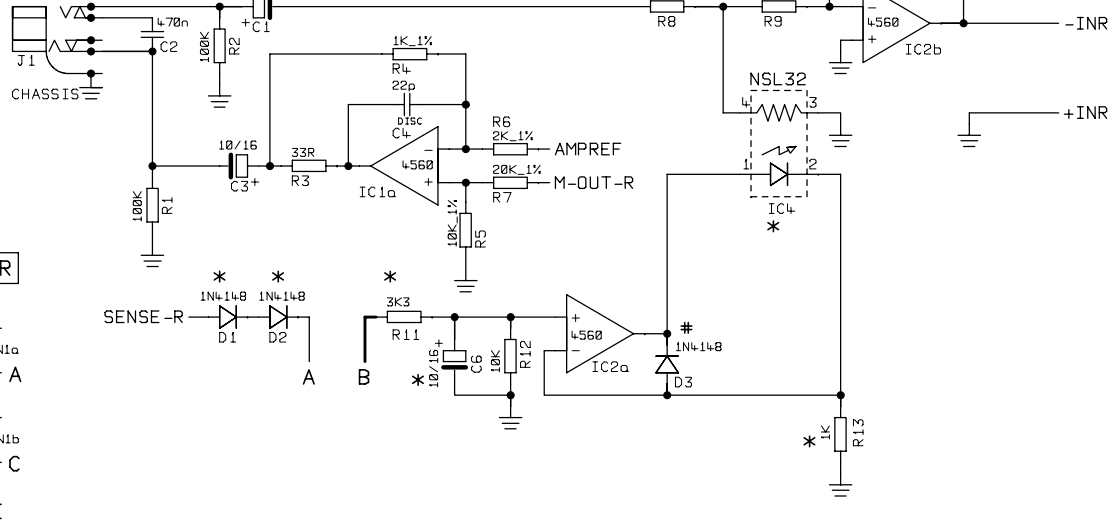
REV A = R17,R18,R22,R23 FROM 1K TO 1K3  
 2 = R1,R3 FROM 11K TO 10K. R2,R4 FROM 4K7 TO 3K3  
 R5,R7 FROM 6K8 TO 9K1. 2 OFF 4.8TAGS (N.F.)  
 ADDED IN POSITIONS T1,T2

PIN OUTS FOR ALL OPAMPS	
GROUP A	GROUP B
1 = 0/P	8 = +17V
2 = -	7 = 0/P
3 = +	6 = -
4 = -17V	5 = +

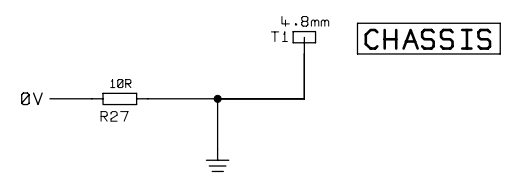
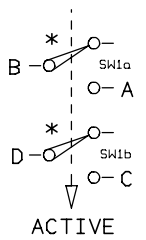
STUDIOMASTER DIAMOND LTD		TITLE		STEREO INPUT CIRCUIT		FILE NAME	
PRODUCT		POWERHOUSE FOCUS		PART 1 OF 1		R5C4-2.DGM	
VERSIONS		DRN BY		P.A.		DATE	
						01-02-99	
						PCBUTA72	
						FIN35818	
						ISSUE No R5C4-2 REV A	



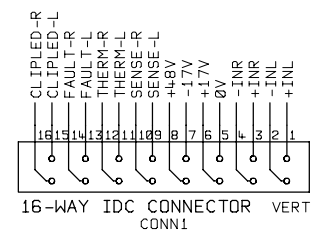
RIGHT INSERT



LIMITER

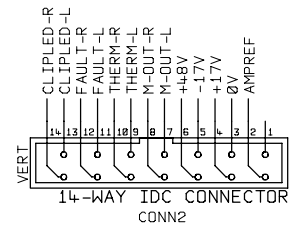
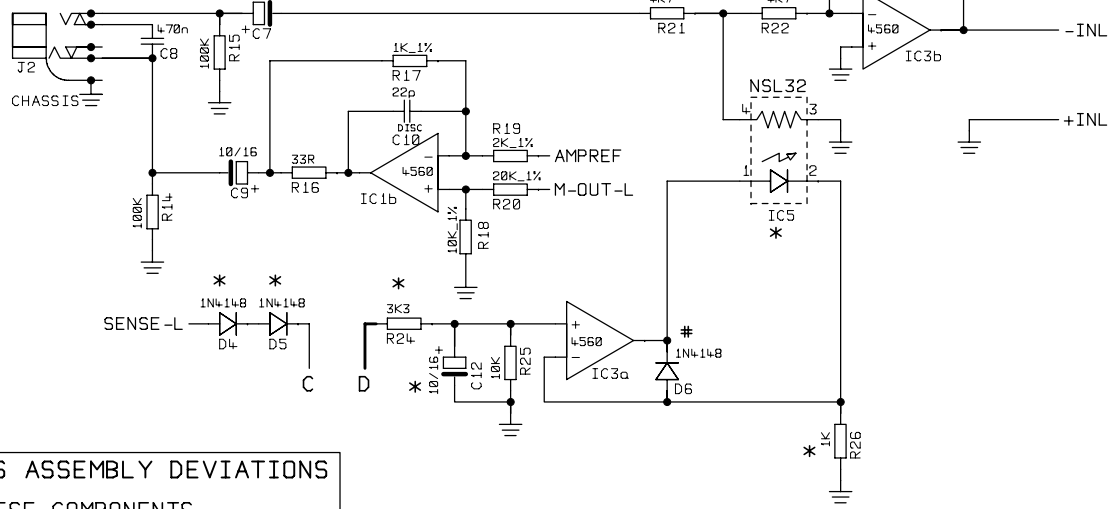


CHASSIS

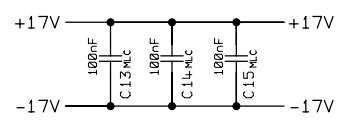


FROM PSU PCB

LEFT INSERT



TO MIXER



POWERHOUSE FOCUS ASSEMBLY DEVIATIONS  
 \* = DO NOT FIT THESE COMPONENTS  
 # = D3 & D6 FIT LINK IN THESE POSITIONS

NOTE :

FOCUS / VISION 700		HORIZON 1200	
R10 R23	51K	68K	

STUDIOMASTER DIAMOND LTD

TITLE INSERT PCB CIRCUIT

FILE NAME R8C3-2.DGM

PRODUCT POWERHOUSE

PART 1 OF 1

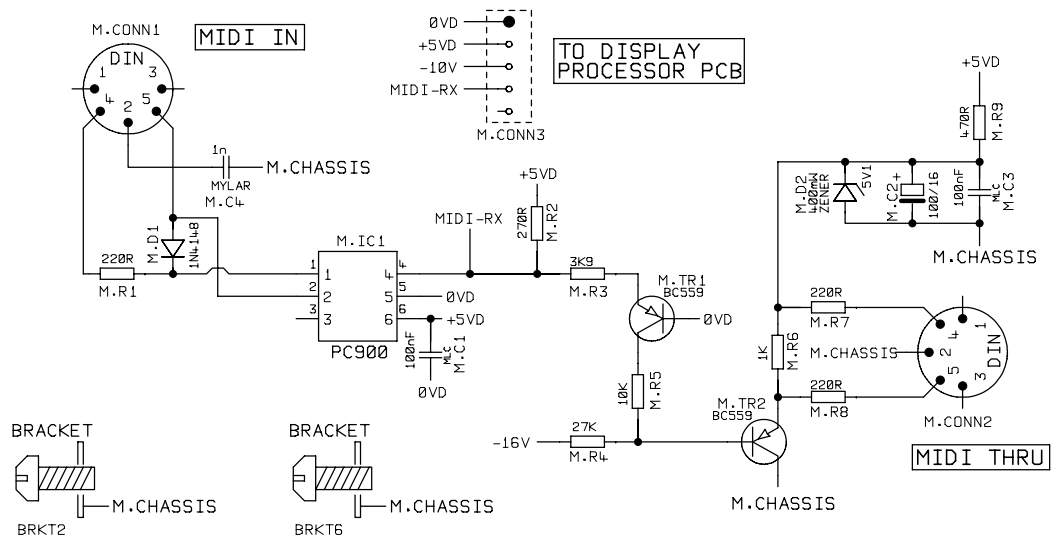
ISSUE No

VERSIONS FOCUS/VISION700 712/HORIZON1200 1216

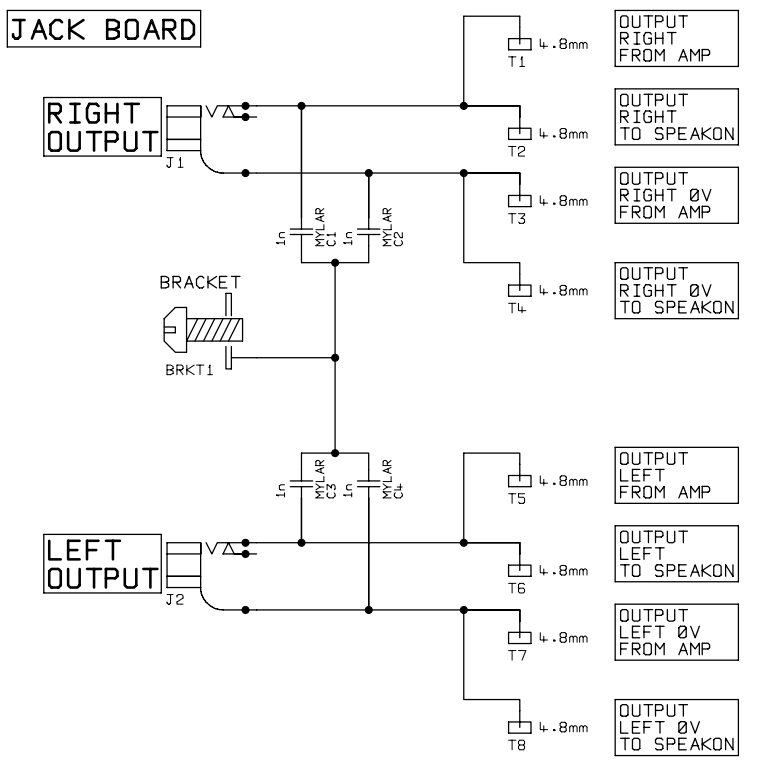
DRN BY P.A. DATE 12-06-98

R8C3-2

**NOT FITTED ON FOCUS VERSIONS**



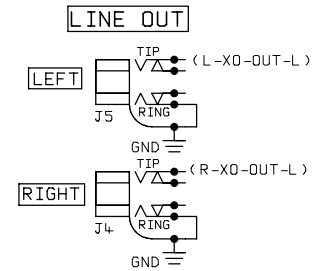
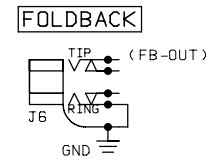
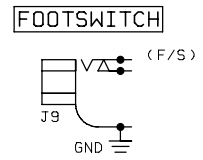
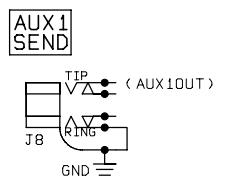
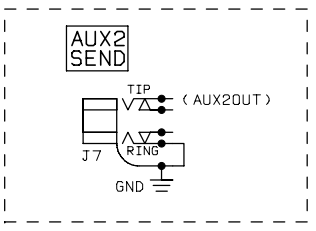
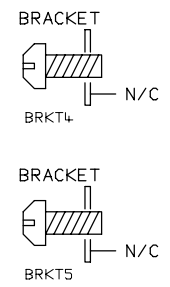
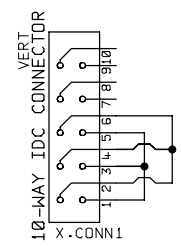
**NOT FITTED ON HORIZON 1208/1216 VERSIONS**



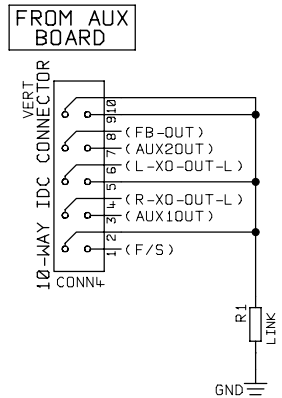
**NOT FITTED ON FOCUS VERSIONS**

OPTIONAL CROSSOVER BOARD CONNECTIONS

STANDARD BY-PASS BOARD

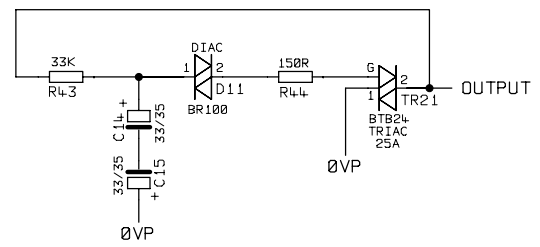
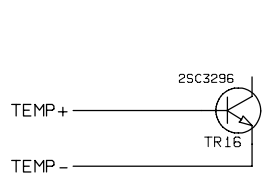
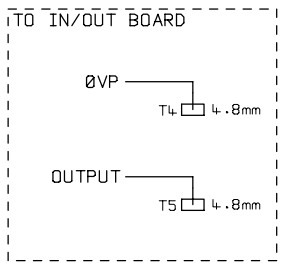
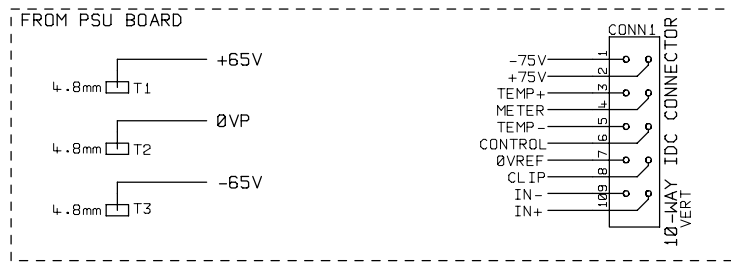
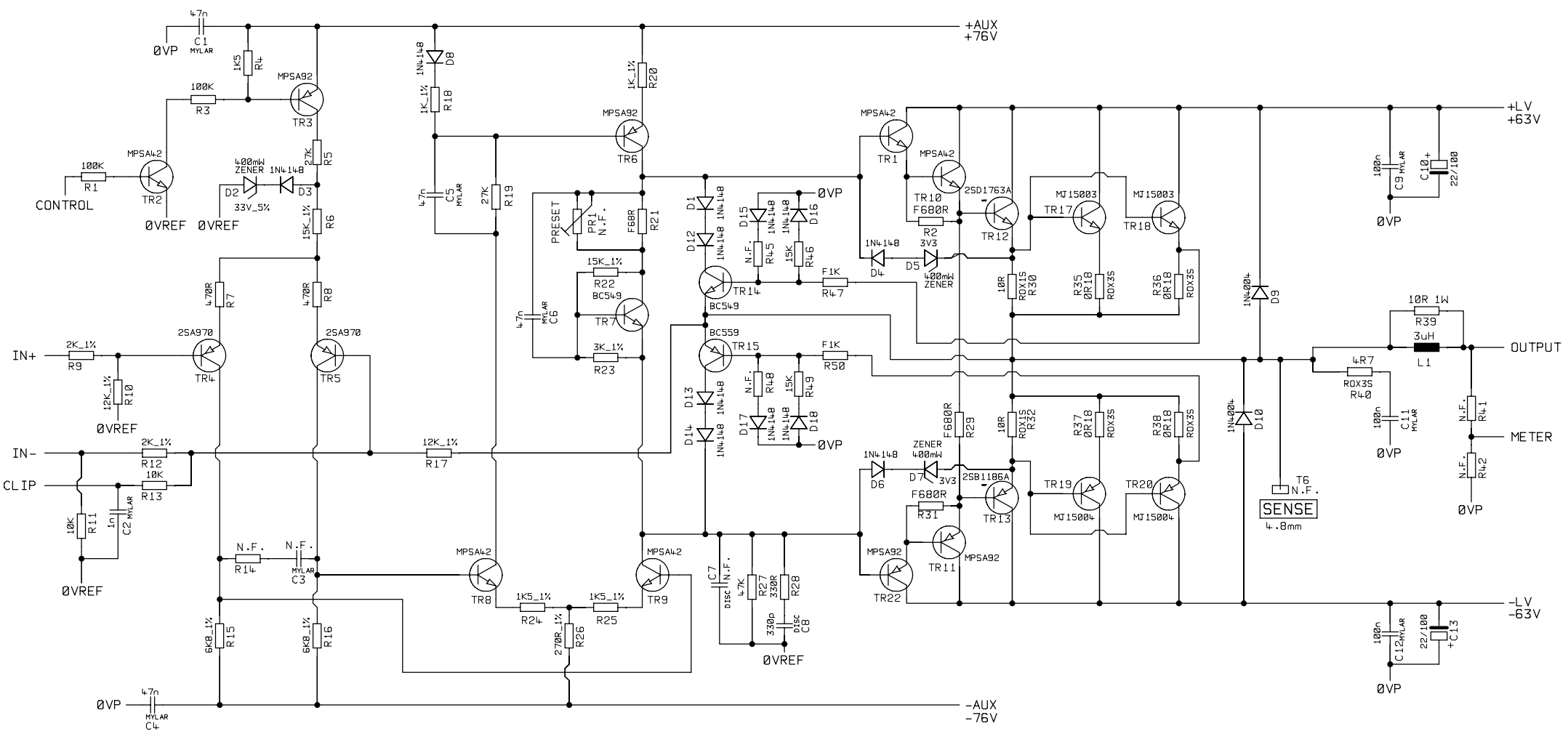


**REAR PANEL CONNECTOR BOARD**



NOTE: CIRCUIT IN DOTTED LINES HORIZON 1208 / 1216 VERSIONS ONLY

STUDIOMASTER DIAMOND LTD		TITLE	MIDI/XOVER/AUX CONN BOARD / JACK OUTPUT BOARD		FILE NAME	R8C10-2.DGM
PRODUCT	POWERHOUSE	PART 1 OF 1			ISSUE No	R8C10-2
VERSIONS	FOCUS/VISION708 712/HORIZON1208 1216	DRN BY	P.A.	DATE	08-04-98	REV A



NOTE: VOLTAGES MEASURED AT 230V A.C. SUPPLY

REV3 = R47 & R50 CHANGED FROM 220R 5% TO 220R 5% FUSIBLE  
 R4 CHANGED FROM 1K2 5% TO 1K5 5%  
 REV4 = R45, R48 33k 5% REMOVED  
 R46, R49 CHANGED FROM 5K6 TO 2K7 5%  
 REV5 = 900E ADDED TO RANGE. R46 & R49 CHANGED FROM 2K7 TO 15K  
 R47 & R50 CHANGED FROM F220R TO F1K (FUSIBLE),  
 R35, R36, R37, R38 CHANGED FROM 0R22 ROX35 TO 0R18 ROX35

STUDIOMASTER DIAMOND LTD		TITLE		AMPLIFIER AMP CIRCUIT		FILE NAME	
PRODUCT		700D 900E PHV PHF		PART 1 OF 1		R1C5-4.DGM	
VERSIONS		ALL MODELS		DRN BY		ISSUE No	
				P.A.		R1C5-4	
				DATE		REV5	
				06-09-99			